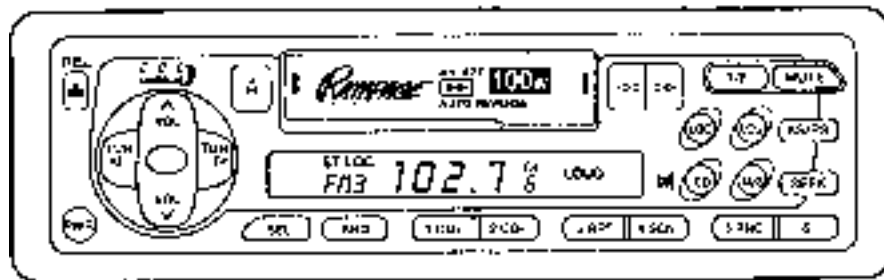


**RAMPAGE**  
BY AUDIOVOX

# OWNER'S MANUAL AND INSTALLATION GUIDE



## **AV-427**

**DETACHABLE FRONT PANEL AM/FM/MPX RADIO  
WITH AUTO-REVERSE CASSETTE PLAYER,  
CD CHANGER CONTROLS AND QUARTZ CLOCK**

## INSTALLATION INSTRUCTIONS

This unit is designed for installation in cars, trucks, and vans with an existing radio opening. In many cases, a special installation kit will be required to mount the radio to the dashboard. These kits are available at electronics supply stores and car stereo specialist shops. Always check the kit application before purchasing to make sure the kit works with your vehicle. If you need a kit but cannot find it available, call our toll-free "HELP" line at **1-800-645-4994**.

### UNIVERSAL INSTALLATION PROCEDURE USING MOUNTING SLEEVE

1. Remove the detachable front panel if it is attached to the chassis by pushing the "Release" button. Slide the mounting sleeve off of the chassis. If it is locked into position, use the removal tools (supplied) to disengage it.
2. Check the dashboard opening size by sliding the mounting sleeve into it. If the opening is not large enough, carefully cut or file as necessary until the sleeve easily slides into the opening. Do not force the sleeve into the opening or cause it to bend or bow. Check that there will be sufficient space behind the dashboard for the radio chassis.
3. Locate the series of bend tabs along the top, bottom, and sides of the mounting sleeve. With the sleeve fully inserted into the dashboard opening, bend as many of the tabs outward as necessary so that the sleeve is firmly secured to the dashboard.
4. Place the radio in front of the dashboard opening so that the wiring can be brought through the mounting sleeve. Follow the wiring diagram carefully and make certain all connections of the wiring harness are secure and insulated with wire nuts or electrical tape to insure proper operation of the unit. After completing the wiring connections, attach the front panel and turn the unit on to confirm operation (ignition switch must be "on"). If unit does not operate, re-check all wiring until problem is corrected. Once proper operation is achieved, turn off the ignition switch and proceed with final mounting of the chassis.
5. Carefully slide the radio into the mounting sleeve making sure it is right-side-up until it is fully seated and the spring clips lock it into place.
6. Attach one end of the perforated support strap (supplied) to the screw stud on the rear of the chassis using the hex nut provided. Fasten the other end of the perforated strap to a secure part of the dashboard either above or below the radio using the screw and hex nut provided. Bend the strap to position it as necessary.  
**CAUTION:** The rear of the radio must be supported with the strap to prevent damage to the dashboard from the weight of the radio or improper operation due to vibration.
7. Re-attach the front panel to the chassis and test radio operation by referring to the Operating Instructions for the unit.

### INSTALLATION USING KITS

1. If your vehicle requires the use of an installation kit to mount this radio, follow the instructions included with the installation kit to attach the radio to the mounting plate supplied with the kit.
2. Wire and test the radio as described in Step 4 above.
3. Install the radio/mounting plate assembly to the sub-dashboard according to the instructions of the installation kit.
4. Attach the support strap to the radio and dashboard as described in Step 6 above.
5. Replace the dashboard trimpanel.

---

### ISO INSTALLATION PROCEDURE

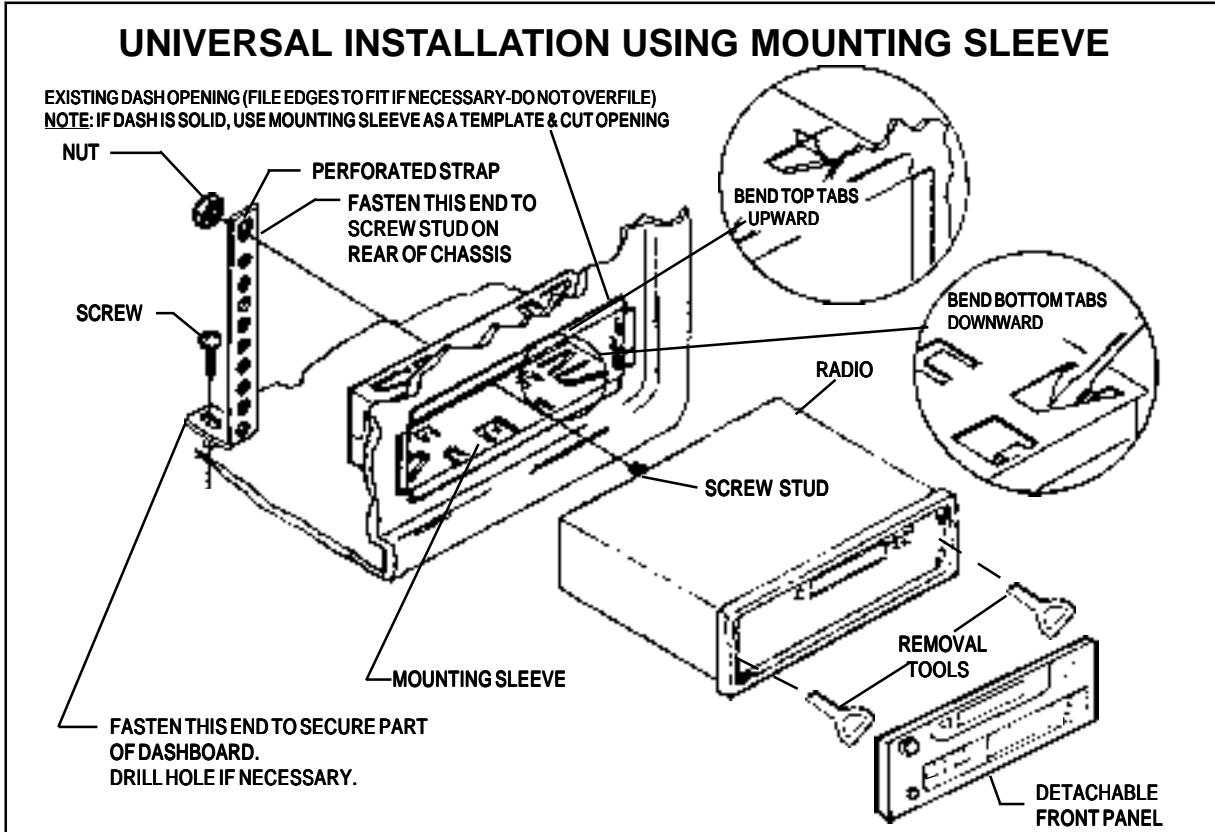
This unit has threaded holes in the chassis side panels which may be used with the original factory mounting brackets of some Toyota, Nissan, Mitsubishi, Isuzu, Hyundai and Honda vehicles to mount the radio to the dashboard. Please consult with your local car stereo specialist shop for assistance on this type of installation.

1. Remove the existing factory radio from its dashboard or center console mounting. Save all hardware and brackets as they will be used to mount the new radio.
2. Carefully un-snap the plastic frame from the front of the new radio chassis. Remove and discard the frame.
3. Remove the factory mounting brackets and hardware from the existing radio and attach them to the new radio.  
**CAUTION : DO NOT EXCEED M5 X 8 MM MAXIMUM SCREW SIZE.  
LONGER SCREWS MAY TOUCH AND DAMAGE COMPONENTS INSIDE THE CHASSIS.**
4. Wire the new radio to the vehicle as per step 4 above.
5. Mount the new radio assembly to the dashboard or center console using the reverse procedure of step 1.

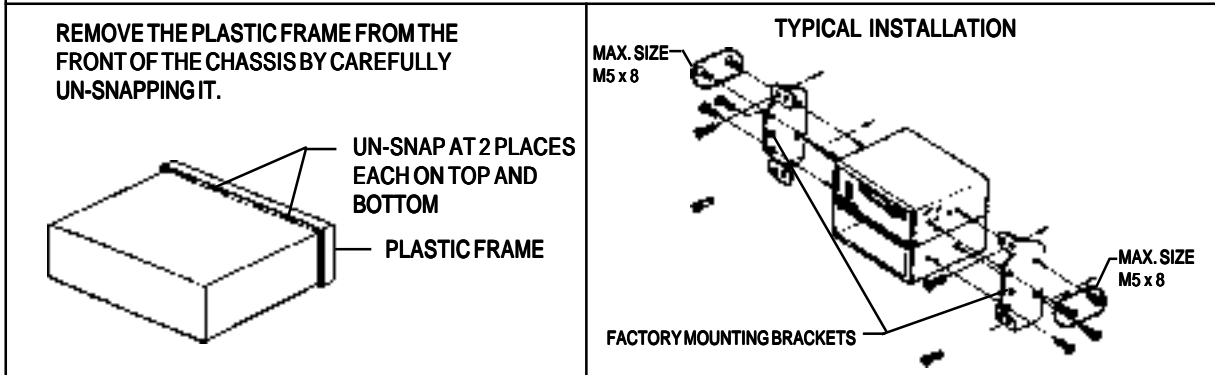
**Toll-Free Installation Assistance**

The installation and wiring connections for this unit are so simple, we doubt you'll need our help, but, if you do, we're here to help you. Just call our toll-free telephone assistance line at **1-800-645-4994** during the days and hours shown (U.S.A. and Canada only).

DAY	TIME ZONE			
	PACIFIC	MOUNTAIN	CENTRAL	EASTERN
MON.-FRI.	5:30AM - 4PM	6:30AM - 5PM	7:30AM - 6PM	8:30AM - 7PM
SATURDAY	6AM - 2PM	7AM - 3PM	8AM - 4PM	9AM - 5PM

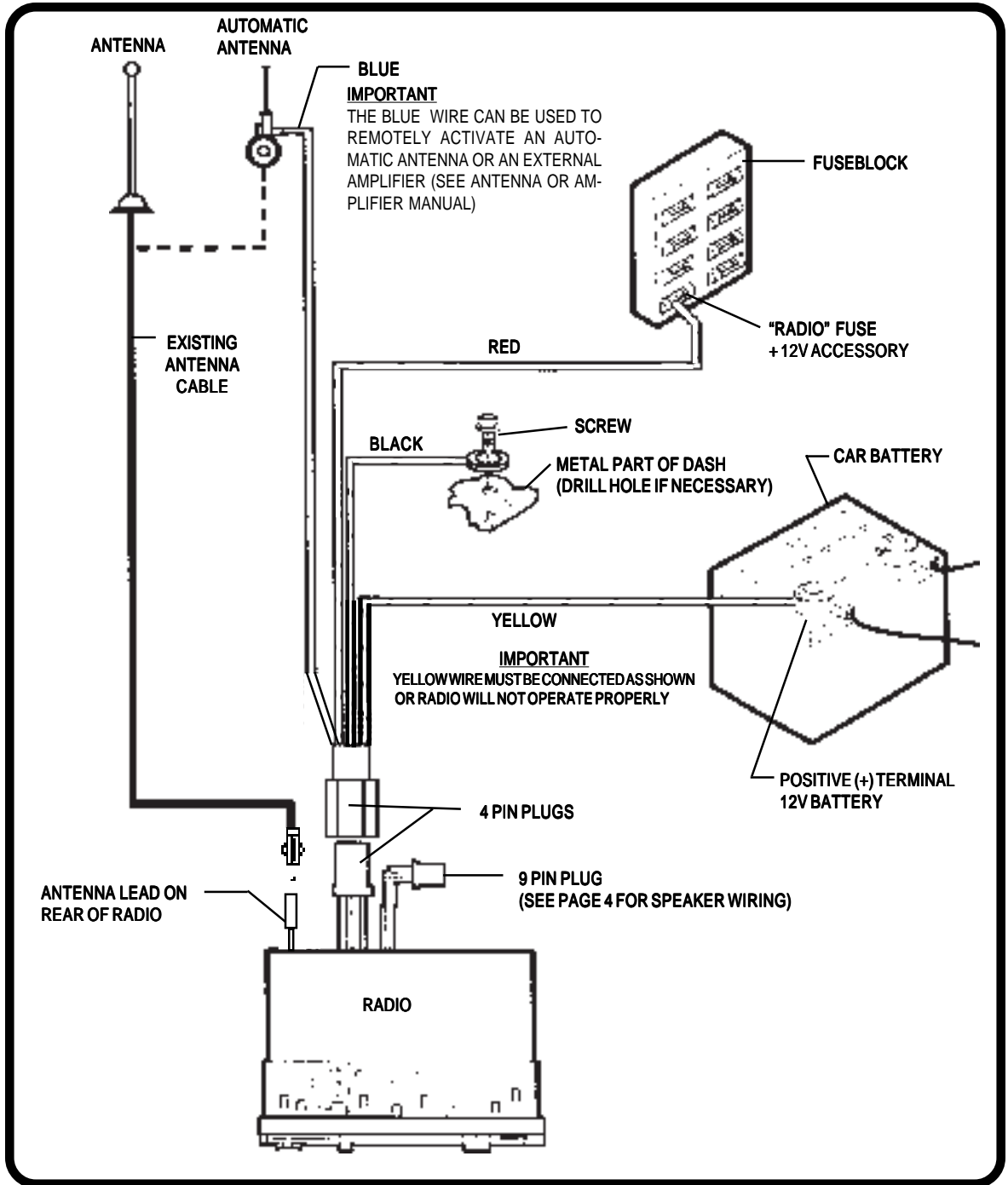


**ISO INSTALLATION**



# RADIO WIRING

REFER TO PAGE 4 FOR SPEAKER WIRING

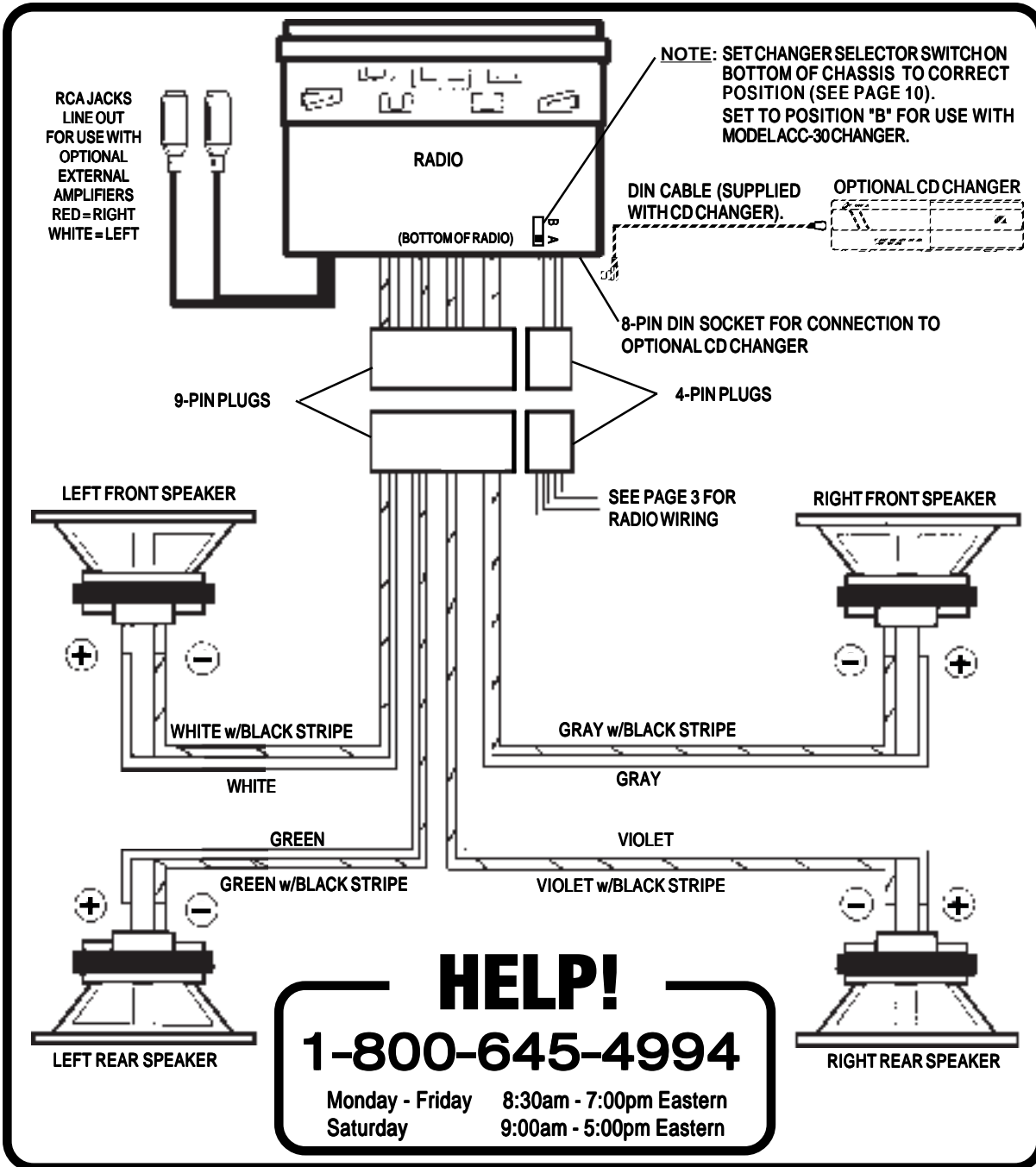


**SPEAKER WIRING**

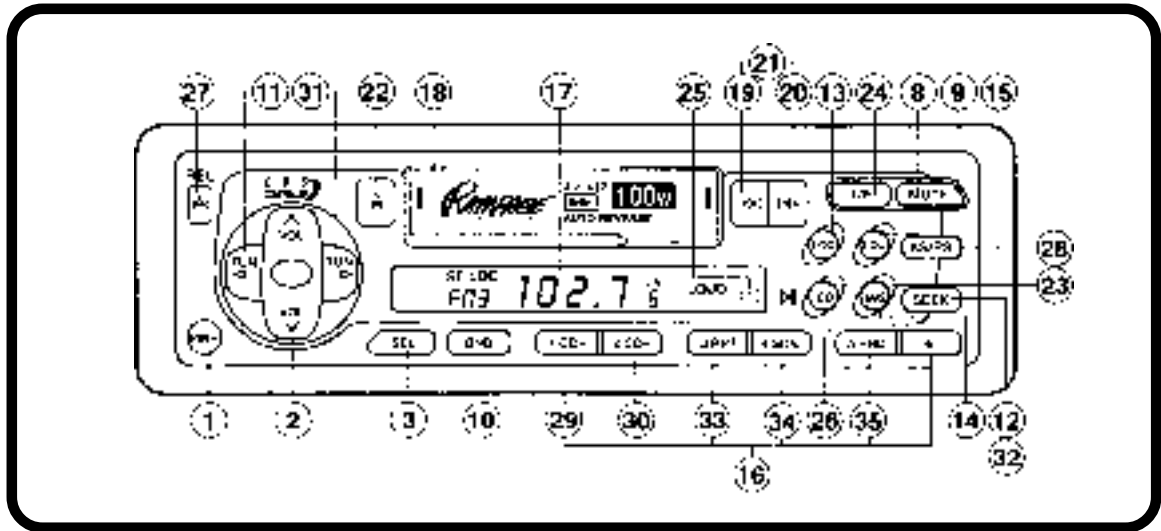
REFER TO PAGE 3 FOR RADIO WIRING

**WARNING!**

- THE AMPLIFIERS IN THIS RADIO ARE **ONLY** DESIGNED FOR USE WITH 4 SPEAKERS.
- **NEVER** COMBINE (BRIDGE) OUTPUTS FOR USE WITH 2 SPEAKERS.
- **NEVER** GROUND NEGATIVE SPEAKER LEADS TO CHASSIS GROUND.
- FAILURE TO WIRE EXACTLY AS SHOWN BELOW MAY CAUSE ELECTRICAL DAMAGE TO THE RADIO.



## OPERATING INSTRUCTIONS



### ① ON-OFF POWER BUTTON

Press this button to turn the unit on or off.

### ② VOLUME/LEVEL CONTROL

To increase the volume level, press the ^ side of the control. The volume will increase and the level will be shown on the display panel from a minimum of 0 to a maximum of 15. To increase the volume quickly, keep the button pressed. To decrease the volume level, press the v side of the control. Keep the button pressed to decrease the volume quickly. This control is also used in conjunction with the Select button ③ to adjust the bass, treble, balance and fader levels as described in ④, ⑤, ⑥, and ⑦.

### ③ SELECT BUTTON (SEL)

This button is used to select the audio function (bass, treble, balance, or fade) to be adjusted using the Level control ②. Pressing the Select button once will set the unit for volume adjustment ("VOL" will appear on the display panel). Pressing the button additional times will select bass adjustment ("BAS" on display), treble ("TRE"), balance ("BAL"), or fader ("FAd"). The display will automatically return to the normal indication 5 seconds after the last adjustment or when another function is activated.

### ④ BASS CONTROL

To adjust the bass level, first select the Bass mode

by pressing the Select button ③ so the "BAS" indication appears on the display panel. Within 5 seconds of choosing the Bass mode, press the ^ or v side of the Level control ② to adjust the bass response as desired. The level will be shown on the display panel from a minimum -10 to a maximum of 10 (0 indicates flat response). The display will automatically return to the normal indication 5 seconds after the last adjustment or when another function is activated.

### ⑤ TREBLE CONTROL

To adjust the treble level, first select the Treble mode by pressing the Select button ③ so the "TRE" indication appears on the display panel. Within 5 seconds of choosing the Treble mode, press the ^ or v side of the Level control ② to adjust the treble response as desired. The level will be shown on the display panel from a minimum of -10 to a maximum of 10 (0 indicates flat response). The display will automatically return to the normal indication 5 seconds after the last adjustment or when another function is activated.

### ⑥ LEFT/RIGHT BALANCE CONTROL

To adjust the left-right speaker balance, first select the Balance mode by pressing the Select button ③ so the "BAL" indication appears on the display panel.

Within 5 seconds of choosing the Balance mode, press the  $\vee$  side of the Level control ② to adjust the stereo balance to the left channel speakers or the  $\wedge$  side of the control to adjust it to the right channel speakers. The balance position will be shown on the display panel from "BA.L 10" (full left) to "BA.r 10" (full right). When the volume level between the left and right speakers is equal, "BAL 0" will be shown on the display panel. The display will automatically return to the normal indication 5 seconds after the last adjustment or when another function is activated.

#### ⑦ FRONT/REAR FADER CONTROL

To adjust the front-rear speaker balance, first select the Fader mode by pressing the Select button ③ so the "FAd" indication appears on the display panel. Within 5 seconds of choosing the Fader mode, press the  $\wedge$  or  $\vee$  side of the Level control ② to adjust the front-rear speaker balance as desired. The fader position will be shown on the display panel from "FA.r 10" (full rear) to "FA.F 10" (full front). When the level between the front and rear speakers is equal, "Fad 0" will be shown on the display panel. The display will automatically return to the normal indication 5 seconds after the last adjustment or when another function is activated.

#### ⑧ LOUDNESS CONTOUR (LOU)

When listening to music at low volume levels, this feature will boost the bass and treble ranges to compensate for the characteristics of human hearing. Press the button to activate this feature and the indication "LOUD" will appear on the display panel. Pressing the button again will deactivate the feature (the "LOUD" indication will disappear from the display panel).

#### ⑨ AUDIO MUTE SELECTOR (MUTE)

Press this button momentarily to mute the volume from the system ("MUTE" will appear on the display panel). Pressing the button again or adjusting the Volume control ② will return to the volume level setting in use before the Mute function was activated.

#### ⑩ AM/FM BAND SELECTOR (BND)

Each time this button is pressed, the radio band is changed. The indications "AM1", "AM2", "FM1", "FM2" or "FM3" will appear in the display panel according to your selection.

#### ⑪ MANUAL UP/DOWN TUNING ( $\blacktriangleright$ / $\blacktriangleleft$ )

To manually select a radio station, momentarily press the Up Tuning ( $\blacktriangleright$ ) button to advance the unit one digit higher or the Down Tuning ( $\blacktriangleleft$ ) button to tune downward. Pressing either button for longer than 0.5 seconds will cause the radio to tune rapidly in the selected direction until the button is released.

#### ⑫ AUTOMATIC SEEK TUNING (SEEK)

During radio operation, this function is used to search for stations automatically. By pressing the button, the radio will seek the next station and stop at that frequency. The Seek function can be stopped by pressing the button again or activating any other tuning function.

#### ⑬ LOCAL/DISTANT SELECTOR (LOC)

This feature is used to select the strength of the signals at which the radio will stop during Automatic Seek Tuning. Pressing the button will select the Local setting ("LOC" will appear on the display panel) and only strong (local) stations will be received. Pressing the button again will select the Distant setting ("LOC" will disappear from the display panel) and the radio will stop at a wider range of signals, including weaker (more distant) stations.

#### ⑭ FM MONO/STEREO SELECTOR (M/S)

During FM radio operation, this button is used to select mono or stereo reception of the broadcast signal. Under normal reception conditions, the unit should be left in the stereo mode as indicated by the "ST" on the display panel when tuned to an FM stereo signal. If the stereo signal is too noisy for comfortable listening, press the FM Mono/Stereo Selector button to switch to mono reception (the "ST" indication will disappear from the display panel). To return to stereo reception mode, press the button again so that the "ST" indication appears on the display panel.

#### ⑮ PRE-SET SCAN (PS) AUTO-STORE TUNING (AS)

Press this button momentarily to scan the stations pre-set into the memories on the 3 FM bands or 2 AM bands. The unit will stop at each pre-set station for 5 seconds before continuing to the next pre-set station (the pre-set number on the display panel will flash during Pre-Set Scan operation). Press the button again momentarily to stop Pre-Set Scan

operation and remain on the selected frequency. Pressing and holding the button for longer than 2 seconds will activate the Auto-Store Tuning feature which will automatically scan and enter up to 6 stations into the 6 pre-set memories on the band in use. After entering the stations into the memories, the unit will automatically stop at each station for 5 seconds so each can be heard. If you have already set the pre-set memories to your favorite stations, activating the Auto-Store Tuning feature will erase those stations and enter the new ones. This feature is most useful when travelling in a new area where you are not familiar with the local stations.

### ①⑥ STATION PRE-SET MEMORIES

To set any of the 6 pre-set memories in each band, use the following procedure:

1. Turn the radio on and select the desired band.
2. Select the first station to be pre-set using the Manual Up/Down ①①, or Automatic Seek ①② Tuning Controls.
3. Press the pre-set button to be set and continue to hold it in for approximately 2 seconds. The pre-set number will appear on the display panel indicating that the station is now set into that pre-set memory position. The station can now be recalled at any time by pressing that button.
4. Repeat the above procedure for the remaining 5 pre-sets on that band and for the other 4 bands on the unit.

### ①⑦ LIQUID CRYSTAL DISPLAY PANEL

The Liquid Crystal Display (LCD) panel displays the frequency, time, and activated functions.

**NOTE:** It is a characteristic of LCD panels that, if subjected to cold temperatures for an extended period of time, they may take longer to illuminate than under normal conditions. In addition, the visibility of the numbers on the LCD may slightly decrease. The LCD read-out will return to normal when the temperature increases to a normal range.

### ①⑧ CASSETTE DOOR

Hold the cassette with the exposed tape edge to the right and insert it fully into the cassette door until the cassette is engaged and begins playing ("PLY" will appear on the display panel). When the cassette reaches the end on the side of the tape being played, the unit will automatically change direction of play as

shown by the arrow indications on the display panel.

**NOTE:** Observe cassette operation cautions in Care and Maintenance section of this manual.

### ①⑨ & ②⑦ FAST-FORWARD/REWIND BUTTONS (▶▶ / ◀◀)

These buttons cause the tape to move rapidly in the direction indicated by the arrows. For example, if the ▶▶ button is pushed when the tape is moving from left to right (▶ on the display panel), the tape will fast-forward. If the button is pressed while the tape is moving from right to left (◀ on the display panel), the tape will rewind. To stop fast tape movement, lightly push the opposite button. If the tape is allowed to fast-forward or rewind all the way to the end, play will automatically begin again from that point.

### ②① PROGRAM SELECTOR

To manually reverse tape direction and play the other side (program) of the cassette, lightly push both the Fast-Forward and Rewind buttons ①⑨ and ②⑦ at the same time. The change of direction will be shown by the arrows on the display panel.

### ②② EJECT BUTTON (⏏)

Tape playback is stopped and the cassette is ejected by pressing this button. Radio operation will automatically resume when the cassette is ejected.

**NOTE:** Never leave a cassette engaged in the player when not in use. Doing so can cause damage to the cassette and/or mechanism of the unit. Always press the eject button and remove the cassette before removing the detachable front panel.

### ②③ CD CHANGER MODE SELECTOR (CD)

During radio, or tape play, press this button to select operation of the optional CD changer as shown by "CD-C" and "CdC" on the display panel. Refer to the CD Changer Controls section on page 10 for specific operating instructions.

If the button is pressed when there is no CD changer connected to the unit, the "CD-C" and "CdC" indications will briefly appear on the display panel. The unit will then return to radio operation. To return to the tape operation (if a tape is loaded in the unit), press the button again. During tape play, press this button to change to radio operation without ejecting the tape.

### ②④ TIME/FREQUENCY SELECTOR (T/F)

This unit can be set so that either the clock time or radio



frequency/tape/CD changer functions will normally appear on the display panel. Pressing the Time/Frequency Selector button when the radio frequency, tape or CD changer indication is shown will change the display to show the time. The time will then be the priority setting and the display will automatically return to time display 5 seconds after any other radio, tape, CD changer, or audio function display.

If the unit is set to time display priority, pressing the Time/Frequency Selector button will change the display to show the radio frequency/tape/CD changer indication and this will then become the priority setting to which the display automatically returns 5 seconds after any other function is activated.

#### ②⑤ THEFT-DETERRENT L.E.D.

Located on the chassis behind the front panel, a light-emitting diode (L.E.D.) will flash when the panel is removed. The flashing light serves as a visual warning to the would-be thief that the unit has been disabled by removal of the front panel.

#### ②⑥ RE-SET BUTTON

A Re-Set button is located on the front of the chassis (front panel must be removed to access the button). The re-set circuitry is provided to protect the microprocessor circuitry and should only be activated under the following circumstances as it will erase the time and pre-set memories.

1. Upon initial installation after all wiring is completed.
2. After the position of the CD changer selector switch on the bottom of the chassis has been changed.

3. If there is a malfunction of any of the switches on the unit, pressing the Re-Set button may clear the system and return to normal operation.

#### ②⑦ FRONT PANEL RELEASE BUTTON

This button is used to release the mechanism that holds the front panel to the chassis. To detach the front panel, press the button so that the left side of the panel is released. Grasp the released side and pull it off of the chassis. To re-attach the panel, position the right side of the panel in place first and then press the left side of the panel until the mechanism locks it into place.

#### NOTES ON USE OF FRONT PANEL

1. Make sure the front panel is right-side-up when attaching it to the chassis as it cannot be attached when up-side down.
2. Do not press very hard on the front panel when attaching it to the chassis. No more than light to moderate pressure should be needed.
3. When attaching the front panel, make sure the right side is correctly engaged before pressing the left side to lock it into position.
4. When taking the front panel with you, please use the supplied carrying case to protect the panel from dirt and damage. Make sure there is no dust or dirt on the electrical terminals on the back of the panel as this could cause intermittent operation or other malfunctions.

## SETTING THE CLOCK

1. Switch the vehicle ignition and radio "on".
2. If necessary, momentarily press the Time/Frequency Selector button ②④ so that the time is shown on the display panel.
3. Press and hold the Time/Frequency Selector until the time display begins flashing. While the display is still flashing, press the Down Tuning (◀) button to adjust the hours and then the Up Tuning (▶) button to adjust the minutes to the correct time.
4. Five seconds after the last hour or minute adjustment is made, the time will be set in the unit and the display will return to the normal indication.

## SPECIFICATIONS

Size:	7" W x 2" H x 6" D 178 mm x 50 mm x 150 mm
Operating Voltage:	12 volts DC, negative ground
Output Power:	100 watts maximum (25 watts x 4 channels)
Output Wiring:	Floating-ground type designed for 4 speaker use. The amplifiers in this unit are NOT designed for use with 2 speakers. RCA pre-amp level outputs.
Output Impedance:	Compatible with 4 - 8 ohm speakers
Pre-Amp Output:	500 mv.
Tuning Range:	AM: 530 - 1,710 KHz. (10 KHz. step) FM: 87.5 - 107.9 MHz. (200 KHz. step)
Sensitivity:	AM: 20 uv. FM: 1.5 uv.
FM Stereo Separation:	30 dB
Tape Frequency Response:	50-10,000 Hz.
Tape S/N Ratio:	50 dB
Wow & Flutter:	0.15% WRMS

\*Specifications are subject to change without notice.

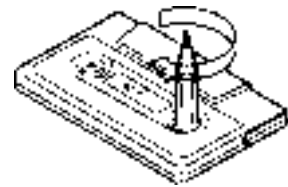
## CARE AND MAINTENANCE

The radio portion of your new sound system does not require any maintenance. We recommend you keep this manual for future reference on how to set the clock and for general reference of the many features found in this unit.

As with any cassette player, the cassette section of this sound system does require a minimum of maintenance to keep it in good working condition. The following simple care and maintenance suggestions should be followed to prevent malfunctions of the cassette system.

### Cassette Care:

1. Purchase a cassette cleaning kit from your local retail store. Use it! At least every 20 to 30 hours of operation you must clean the cassette mechanism. A dirty cassette player will have a poor sound.
2. Do not use cassettes that exceed 45 minutes of play on each side.
3. Do not insert a cassette that appears to be broken, twisted or dirty or with loose or torn labels on it.
4. Always keep your cassettes away from direct sunlight or exposure to sub-freezing conditions. If a cassette is cold, allow it to warm up before use.
5. Do not keep a cassette in the player when not in use.
6. Before inserting a cassette in the player, check that the tape is tightly wound on the reels. Take up any excess slack using a pencil to turn the drive hub in the cassette (see diagram).



## CD CHANGER CONTROLS

Built into this radio are controls to operate an optional CD changer. Please check with your Rampage/Audiovox car stereo specialist for recommendations of the models that will work with this radio.

**IMPORTANT:** The CD Changer Selector Switch on the bottom of the chassis **must** be set to the correct position to match the type of changer being used with this radio. The Re-Set button ② should then be pressed to activate the change of position. If you are not sure of the correct switch position for your model of CD changer, please check with your Rampage/Audiovox retailer or contact us directly at 1-800-645-4994.

**NOTE:** Switch position for model ACC-30 changer is "B".

Adjustment of the audio functions (volume, tone, balance, and fader) for the CD changer operate in the same manner as they do for radio play. The following controls will operate the CD changer when it is installed and connected to this radio. Refer to the owner's manual included with the CD changer for instructions on the installation and correct loading and use of the CD magazine.

### ②⑧ CD CHANGER MODE SELECTOR (CD) PAUSE/PLAY SELECTOR (▶||)

During radio, or tape play, press this button to select operation of the CD changer as shown by "CD-C" and "CdC" on the display panel. Disc play will begin and the disc and track number will be shown on the display panel. If a new magazine has been loaded into the changer, play will begin from the first track of the first disc in the magazine. If a magazine was already in the changer, play will resume from the track on the disc previously in play.

During CD changer play, pressing this button once will return to the radio operation. Pressing again will change to tape play if a tape is loaded in the unit or back to CD changer if no tape is loaded.

### ②⑨ & ③⑩ DISC SELECT (CD+ & CD-)

These buttons are used to select the desired disc for play. To advance to a higher number disc, press the CD+ button ②⑨. To return to a lower number disc,

press the CD- button ③⑩. The number of the disc in play will be shown on the display panel.

### ③① TRACK SELECT (▶ / ◀)

This button is used to quickly select the beginning of a particular track. With each momentary press of the Forward Track Select button (▶), the next higher track number will be selected as shown on the display panel. Similarly, with each momentary press of the Backward Track Select button (◀), the next lower track number will be selected. Pressing and holding either button will continue to change tracks in the selected direction.

### ③② FOWARD SEARCH (SEEK)

High-speed audible search to any forward section of the disc can be made with this feature. Press and hold the button to advance rapidly in the forward direction.

### ③③ TRACK REPEAT PLAY SELECTOR (RPT)

When the Repeat button is pressed, the "RPT" indication will appear on the display panel and play of the selected track will be continually repeated until the Track Repeat mode is canceled by pressing the Repeat button again or by activating the Random ③⑤ or Scan ③④ functions.

### ③④ TRACK SCAN SELECTOR (SCN)

When the Scan button is pressed, the "SCAN" indication will appear on the display panel, and the first 10 seconds of each track on the disc will be played in order. When a desired track is reached, press the Scan button again and play of the selected track will continue ("SCAN" will disappear from the display panel). The Track Scan mode will also be canceled by activating any other disc function (Track Select, Repeat or Random).

### ③⑤ RANDOM PLAY SELECTOR (RND)

When the Random button is pressed, the "RND" indication will appear on the display panel and the tracks on the disc will be played in a random, shuffled order. The Track Select buttons ③① will also select tracks in the shuffled order instead of the normal progression. The Track Shuffle mode can be canceled by pressing the Shuffle button again or by activating the Repeat ③③ or Scan ③④ functions.

## CD CHANGER ERROR CODE

If a problem should develop while operating the CD changer, the error code "Err" may appear on the display panel. This can indicate a number of problems with the unit, including a mechanical error or an error in the microprocessor control of the changer. If the error code should appear, try ejecting and re-loading the magazine into the changer. While the magazine is out of the changer, make sure the discs are clean, undamaged, and loaded correctly (see Owner's Manual of the CD changer). You may also try activating the Re-Set button ② on the unit, but this will also erase the time and pre-set memories.

If the suggested measures do not solve the problem, contact an approved warranty station near you for further assistance.

## 12 MONTH LIMITED WARRANTY

AUDIOVOX CORPORATION (the Company) warrants to the original retail purchaser of this product that should this product or any part thereof, under normal use and conditions, be proven defective in material or workmanship within 12 months from the date of original purchase, such defect(s) will be repaired or replaced with new or reconditioned product (at the Company's option) without charge for parts and repair labor.

To obtain repair or replacement within the terms of this Warranty, the product is to be delivered with proof of warranty coverage (e.g. dated bill of sale), specification of defect(s), transportation prepaid, to the warranty center at the address shown below.

This Warranty does not extend to the elimination of car static or motor noise, to correction of antenna problems, to costs incurred for installation, removal, or reinstallation of the product, or damage to tapes, compact discs, speakers, accessories, or vehicle electrical systems.

This Warranty does not apply to any product or part thereof which, in the opinion of the Company, has suffered or been damaged through alteration, improper installation, mishandling, misuse, neglect, accident, or by removal or defacement of the factory serial number/bar code label(s). THE EXTENT OF THE COMPANY'S LIABILITY UNDER THIS WARRANTY IS LIMITED TO THE REPAIR OR REPLACEMENT PROVIDED ABOVE AND, IN NO EVENT, SHALL THE COMPANY'S LIABILITY EXCEED THE PURCHASE PRICE PAID BY PURCHASER FOR THE PRODUCT.

This Warranty is in lieu of all other express warranties or liabilities. ANY IMPLIED WARRANTIES, INCLUDING ANY IMPLIED WARRANTY OF MERCHANTABILITY, SHALL BE LIMITED TO THE DURATION OF THIS WRITTEN WARRANTY. ANY ACTION FOR BREACH OF ANY WARRANTY HEREUNDER INCLUDING ANY IMPLIED WARRANTY OF MERCHANTABILITY MUST BE BROUGHT WITHIN A PERIOD OF 30 MONTHS FROM DATE OF ORIGINAL PURCHASE. IN NO CASE SHALL THE COMPANY BE LIABLE FOR ANY CONSEQUENTIAL OR INCIDENTAL DAMAGES FOR BREACH OF THIS OR ANY OTHER WARRANTY, EXPRESS OR IMPLIED, WHATSOEVER. No person or representative is authorized to assume for the Company any liability other than expressed herein in connection with the sale of this product.

Some states do not allow limitations on how long an implied warranty lasts or the exclusion or limitation of incidental or consequential damage so the above limitations or exclusions may not apply to you. This Warranty gives you specific legal rights and you may also have other rights which vary from state to state.

**U.S.A. :** AUDIOVOX CORPORATION, 150 MARCUS BLVD., HAUPPAUGE, NEW YORK 11788 • 1-800-645-4994

**CANADA:** CALL 1-800-645-4994 FOR LOCATION OF WARRANTY STATION SERVING YOUR AREA

128-4270E

## Free Manuals Download Website

<http://myh66.com>

<http://usermanuals.us>

<http://www.somanuals.com>

<http://www.4manuals.cc>

<http://www.manual-lib.com>

<http://www.404manual.com>

<http://www.luxmanual.com>

<http://aubethermostatmanual.com>

Golf course search by state

<http://golfingnear.com>

Email search by domain

<http://emailbydomain.com>

Auto manuals search

<http://auto.somanuals.com>

TV manuals search

<http://tv.somanuals.com>