

AV-303

**AM/FM RADIO
WITH
DETACHABLE FRONT PANEL
AND
CASSETTE PLAYER**

RAMPAGE
BY AUDIOVOX

OWNER'S MANUAL

Released 9-25-02

INSTALLATION INSTRUCTIONS

This unit is designed for installation in cars, trucks, and vans with an existing radio opening. In many cases, a special installation kit will be required to mount the radio to the dashboard. These kits are available at electronics supply stores and car stereo specialist shops. Always check the kit application before purchasing to make sure the kit works with your vehicle. If you need a kit but cannot find it available, call our toll-free "HELP" line. Just call our toll-free telephone assistance line at **1-800-645-4994** (U.S.A. and Canada only).

UNIVERSAL INSTALLATION

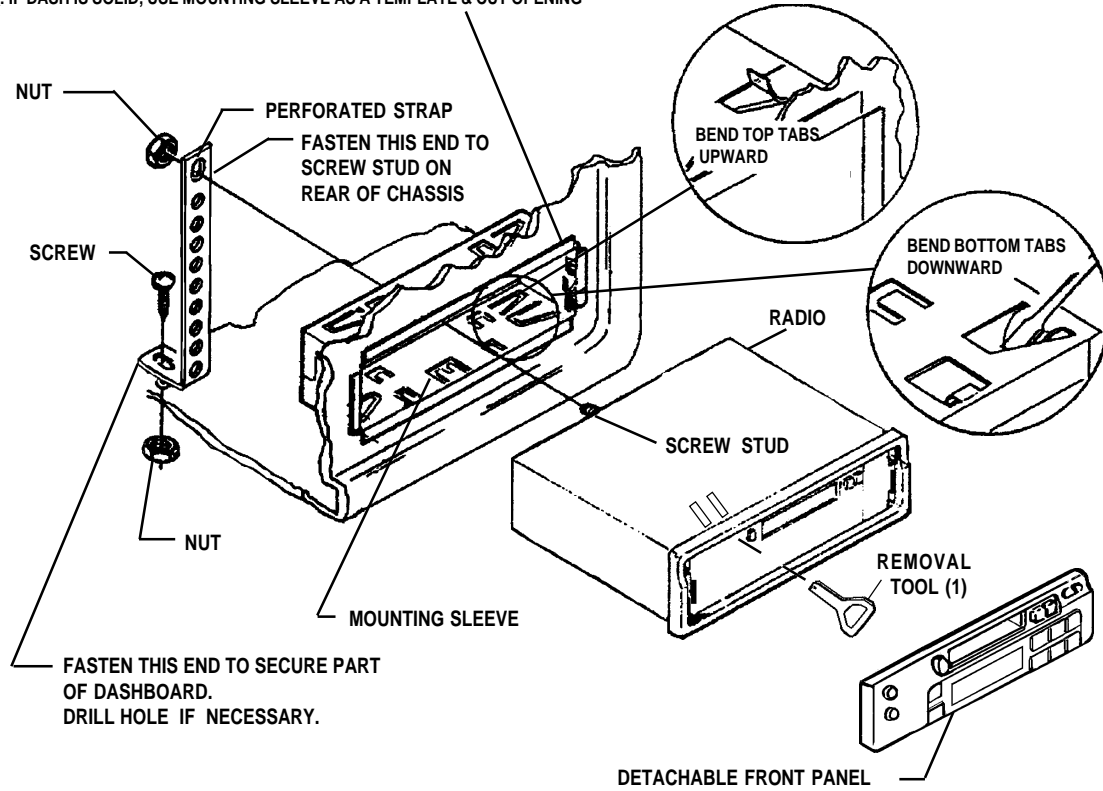
1. Remove the detachable front panel if it is attached to the chassis by pushing the "Release" button. Slide the mounting sleeve off of the chassis. If it is locked into position, use the removal tools (supplied) to disengage it.
2. Check the dashboard opening size by sliding the mounting sleeve into it. If the opening is not large enough, carefully cut or file as necessary until the sleeve easily slides into the opening. Do not force the sleeve into the opening or cause it to bend or bow. Check that there will be sufficient space behind the dashboard for the radio chassis.
3. Locate the series of bend tabs along the top, bottom, and sides of the mounting sleeve. With the sleeve fully inserted into the dashboard opening, bend as many of the tabs outward as necessary so that the sleeve is firmly secured to the dashboard.
4. Place the radio in front of the dashboard opening so that the wiring can be brought through the mounting sleeve. Follow the wiring diagram carefully and make certain all connections of the wiring harness are secure and insulated with wire nuts or electrical tape to insure proper operation of the unit. After completing the wiring connections, attach the front panel and turn the unit on to confirm operation (ignition switch must be "on"). If unit does not operate, re-check all wiring until problem is corrected. Once proper operation is achieved, turn off the ignition switch and proceed with final mounting of the chassis.
5. Carefully slide the radio into the mounting sleeve making sure it is right-side-up until it is fully seated and the spring clips lock it into place.
6. Attach one end of the perforated support strap (supplied) to the screw stud on the rear of the chassis using the hex nut provided. Fasten the other end of the perforated strap to a secure part of the dashboard either above or below the radio using the screw and hex nut provided. Bend the strap to position it as necessary.
CAUTION: The rear of the radio must be supported with the strap to prevent damage to the dashboard from the weight of the radio or improper operation due to vibration.
7. Re-attach the front panel to the chassis and test radio operation by referring to the Operating Instructions for the unit.

INSTALLATION USING KITS

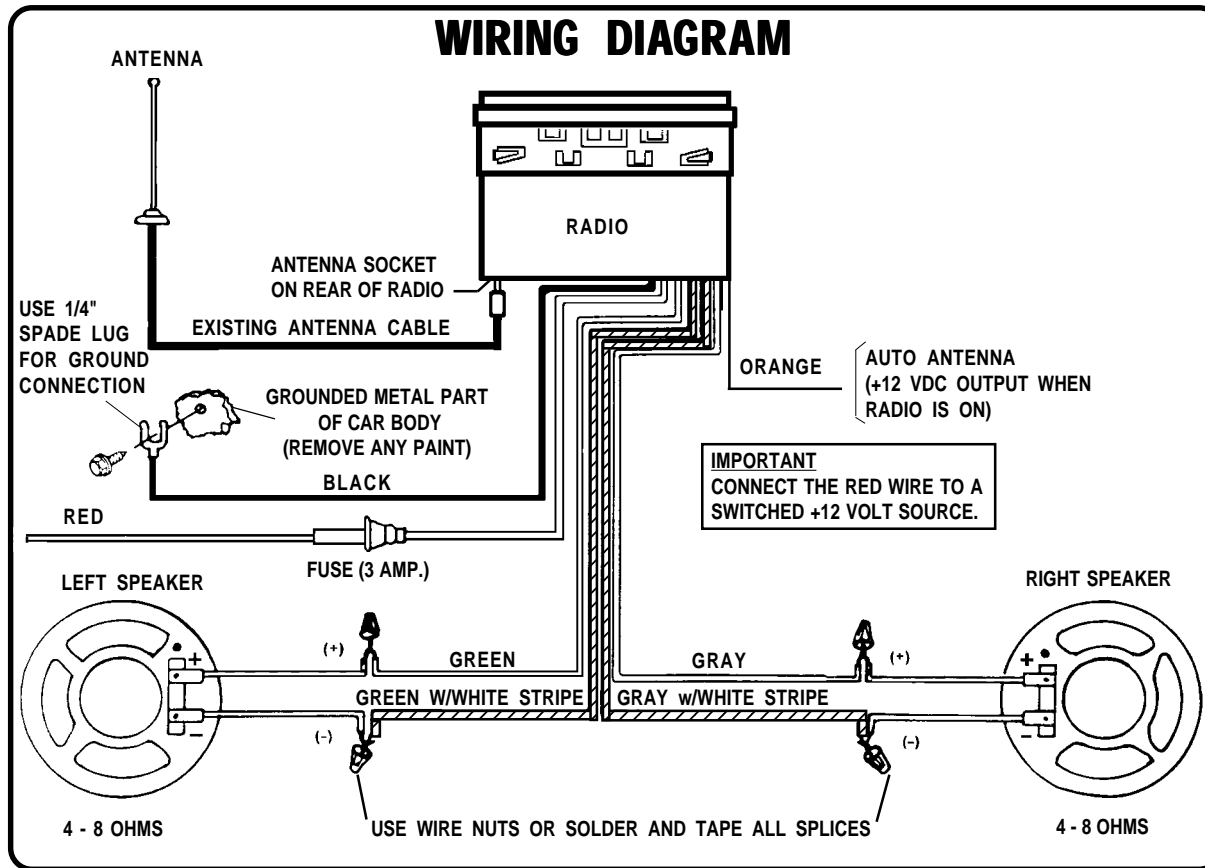
1. If your vehicle requires the use of an installation kit to mount this radio, follow the instructions included with the installation kit to attach the radio to the mounting plate supplied with the kit.
2. Wire and test the radio as described in Step 4 above.
3. Install the radio/mounting plate assembly to the sub-dashboard according to the instructions of the installation kit.
4. Attach the support strap to the radio and dashboard as described in Step 6 above.
5. Replace the dashboard trim panel.

EXISTING DASH OPENING (FILE EDGES TO FIT IF NECESSARY-DO NOT OVER FILE)
NOTE: IF DASH IS SOLID, USE MOUNTING SLEEVE AS A TEMPLATE & CUT OPENING

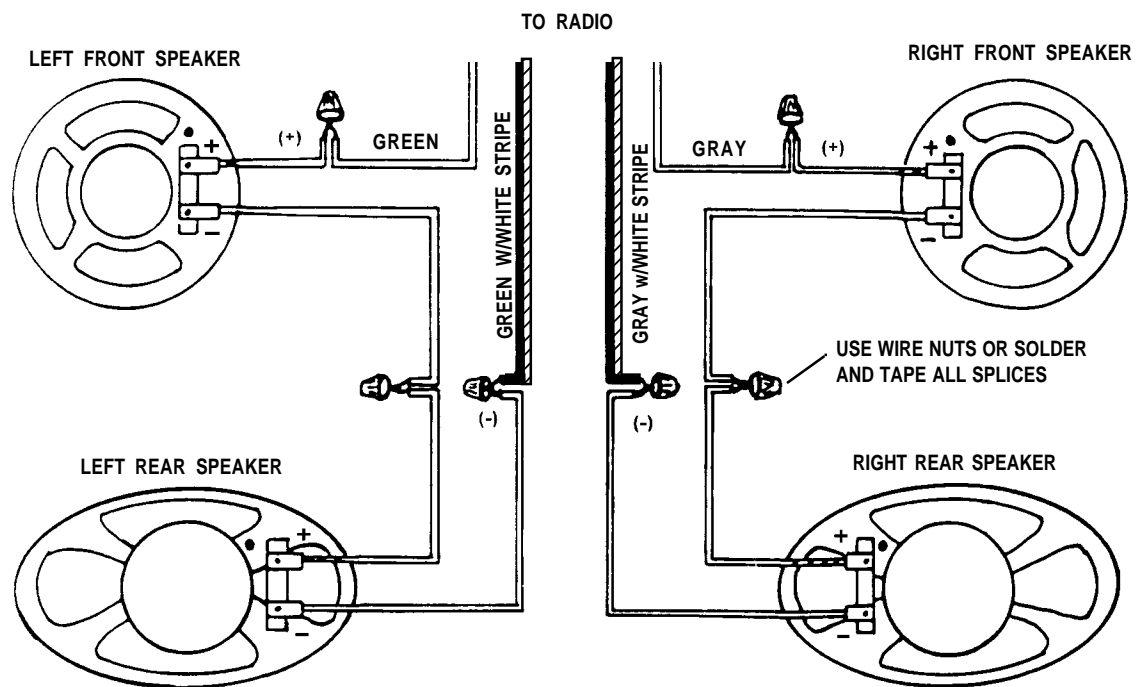
UNIVERSAL INSTALLATION



WIRING DIAGRAM

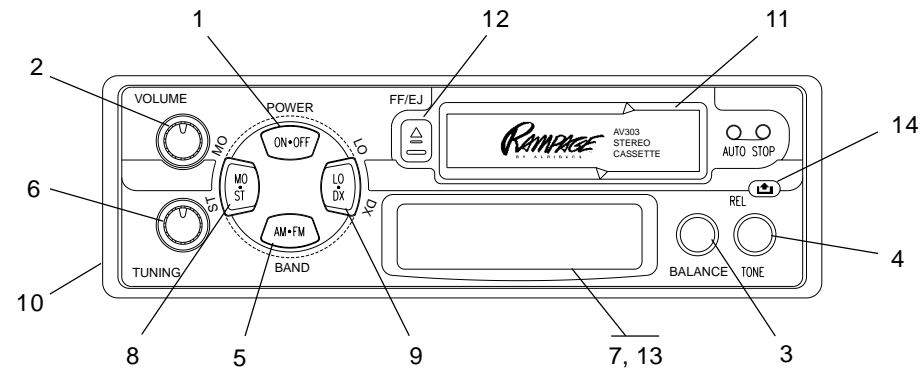


4 SPEAKER SYSTEM WIRING



NOTE: CONNECT ALL OTHER WIRES AS SHOWN ON PAGE 4

OPERATING INSTRUCTIONS



① POWER ON-OFF BUTTON

Alternately press this button to turn the unit on and off.

② VOLUME CONTROL

To increase the volume level, rotate this control knob in the clockwise (CW) direction; to decrease the volume, rotate the knob in the counterclockwise (CCW) direction.

③ BALANCE CONTROL

Rotate this control knob to achieve sound output balance between the left and right speakers. Output balance will occur when the control is positioned at the center detent position.

To favor the sound output from the left speaker(s), rotate the control CCW; to favor the sound output from the right speaker(s), rotate the control CW.

④ TONE CONTROL

Rotate this control knob to adjust the sound output for the desired bass or treble tonal range. When the control is positioned at the mid-range detent position, the bass and treble response should be very nearly equal.

To increase bass response, rotate the control CCW; to increase treble response, rotate the control CW.

⑤ AM-FM BAND SELECTOR

Press this button to change the radio band from AM to FM and vice-versa.

⑥ MANUAL TUNING CONTROL

Rotate this knob to the left or right to select the desired radio station. When tuning in a station, always adjust the control so that you are receiving the full signal and are on the center of the broadcast frequency. If the radio is off frequency, you could experience noise and reception problems. The pointer will move along the dial to indicate the frequency to which you are tuned.

⑦ FM STEREO INDICATOR

This LED indicator within the AM/FM dial will illuminate red during reception of FM stereo broadcasts; if the stereo station is mistuned (not in the center of the frequency) this indicator may light intermittently or not at all.

⑧ FM MONO/STEREO (MO.ST) BUTTON

During FM radio reception, this button is used to select mono or stereo reception. Under normal reception conditions, the unit should be left in the stereo mode, as indicated by the FM Stereo indicator. If the stereo signal is too noisy for comfortable listening, press the MO.ST button to switch to mono reception.

⑨ LOCAL/DISTANT (LO.DX) BUTTON

This button allows maximum reception in both weak and strong FM signal areas. For normal reception conditions, and when receiving a wide range of signals, including weak or distant stations, this function should be set to the Distant (DX) position, which will allow maximum signal reception. When in an extremely strong (local) signal area, select the Local (LO) setting. This will eliminate weak signals and suppress overly strong signals. When moving out of the strong signal area, switch to the Distant setting.

NOTE: The Local/Distant button only affects FM signals, and will have no effect on AM signals.

10 AM ANTENNA TRIMMER

It is very important to adjust the Antenna Trimmer for optimum AM reception. The antenna trimmer is located on left rear corner of the chassis. Adjust this control after wiring connections are complete and before the radio is inserted into the dashboard opening. Proceed as follows:

1. Tune in a weak station around 1400 kHz on the AM band.
2. Using a small screwdriver, slowly adjust the trimmer for maximum output from the radio.

NOTE: The Antenna Trimmer only affects AM reception, and will have no effect on FM reception. The Trimmer only needs to be adjusted when the radio is first installed and at any time a change is made to the vehicle antenna (replacing the mast, etc.).

11 CASSETTE DOOR

Hold the cassette with the exposed tape edge to the right and insert it into the cassette door. Press in fully until the cassette is engaged and begins playing.

NOTE: Observe the cassette operation cautions in the Care and Maintenance section of this manual.

12 FAST-FORWARD/EJECT (FF/EJ) BUTTON

This button performs two functions. To eject a cassette, simply press the button fully then release. The cassette will eject and radio operation will resume.

To fast-forward the tape, press the button half-way in to the locked position. To stop fast-forward and resume normal tape playback, press the button slightly and release. Do not press fully in or the cassette will be ejected.

NOTE: Never leave a cassette engaged in the player when not in use. Doing so can cause damage to the cassette and/or mechanism of the unit. Always press the eject button and remove the cassette when leaving the vehicle.

13 AM/FM DIAL DISPLAY

This dual tuning dial represents the AM (bottom) frequency band from 530-1710 kHz, while the top dial represents the FM frequency band from 87.7-107.9 MHz. The AM station frequencies on the dial must be multiplied by a factor of 10 (x10) as shown. The dial pointer traverses the dial using the TUNING control knob in conjunction with the AM/FM BAND select button.

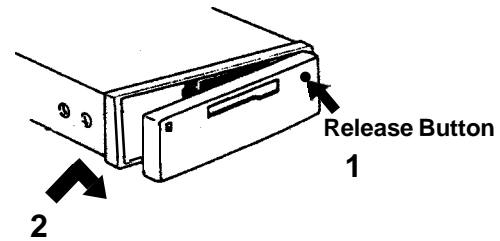
14 FRONT PANEL RELEASE (REL) BUTTON

This button is used to release the mechanism that holds the front panel to the chassis. To detach the front panel, press the button so that the right side of the panel is released. Grasp the released side and pull it off of the chassis. To re-attach the panel, position the right side of the panel in place first and then press the left side of the panel until the mechanism locks it into place.

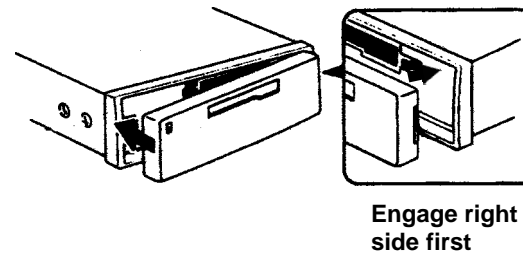
NOTES ON USE OF FRONT PANEL

1. Make sure the front panel is right-side-up when attaching it to the chassis as it cannot be attached when upside down.
2. Do not press very hard on the front panel when attaching it to the chassis. No more than light to moderate pressure should be needed.
3. When attaching the front panel, make sure the right side is correctly engaged before pressing the left side to lock it into position.

DETACHING THE FRONT PANEL



ATTACHING THE FRONT PANEL



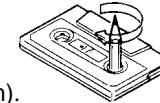
CARE AND MAINTENANCE

The radio portion of your new sound system does not require any maintenance. We recommend you keep this manual for general reference of the many features found in this unit.

As with any cassette player, the cassette section of this sound system does require a minimum of maintenance to keep it in good working condition. The following simple care and maintenance suggestions should be followed to prevent malfunctions of the cassette system.

Cassette Care:

1. Purchase a cassette cleaning kit from your local retail store. Use it! At least every 20 to 30 hours of operation you must clean the cassette mechanism. A dirty cassette player will have a poor sound.
2. Do not use cassettes that exceed 45 minutes of play on each side.
3. Do not insert a cassette that appears to be broken, twisted or dirty or with loose or torn labels on it.
4. Always keep your cassettes away from direct sunlight or exposure to sub-freezing conditions. If a cassette is cold, allow it to warm up before use.
5. Do not keep a cassette in the player when not in use.
6. Before inserting a cassette in the player, check that the tape is tightly wound on the reels. Take up any excess slack using a pencil to turn the drive hub in the cassette (see diagram).



SPECIFICATIONS

Size:	7.2" W x 2" H x 5.1" D (182mm x 52mm x 130mm)
Operating Voltage:	12 volts DC, negative ground (Fuse: 3 Amp.)
Output Power	14 watts maximum (7 watts x 2 channels)
Output Wiring:	Common-ground type designed for 2 speaker use. May also be used with 4 speakers.
Output Impedance:	Compatible with 4-8 ohm speakers
Tuning Range:	AM: 530 - 1710 kHz., FM: 87.7 - 107.9 MHz.
Sensitivity:	AM: 100 uV; FM: 10 uV (for 30dB quieting).
FM Stereo Separation:	30 dB
Tape Frequency Response:	50-10,000 Hz.
Tape S/N Ratio:	50 dB
Wow & Flutter:	0.25% WRMS

* Specifications are subject to change without notice.

Modifications not authorized by the manufacturer may void users authority to operate this device.

12 MONTH LIMITED WARRANTY

AUDIOVOX CORPORATION (the Company) warrants to the original retail purchaser of this product that should this product or any part thereof, under normal use and conditions, be proven defective in material or workmanship within 12 months from the date of original purchase, such defect(s) will be repaired or replaced with new or reconditioned product (at the Company's option) without charge for parts and repair labor.

To obtain repair or replacement within the terms of this Warranty, the product is to be delivered with proof of warranty coverage (e.g. dated bill of sale), specification of defect(s), transportation prepaid, to the warranty center at the address shown below.

This Warranty does not extend to the elimination of car static or motor noise, to correction of antenna problems, to costs incurred for installation, removal, or reinstallation of the product, or damage to tapes, compact discs, speakers, accessories, or vehicle electrical systems.

This Warranty does not apply to any product or part thereof which, in the opinion of the Company, has suffered or been damaged through alteration, improper installation, mishandling, misuse, neglect, accident, or by removal or defacement of the factory serial number/bar code label(s). THE EXTENT OF THE COMPANY'S LIABILITY UNDER THIS WARRANTY IS LIMITED TO THE REPAIR OR REPLACEMENT PROVIDED ABOVE AND, IN NO EVENT, SHALL THE COMPANY'S LIABILITY EXCEED THE PURCHASE PRICE PAID BY PURCHASER FOR THE PRODUCT.

This Warranty is in lieu of all other express warranties or liabilities. ANY IMPLIED WARRANTIES, INCLUDING ANY IMPLIED WARRANTY OF MERCHANTABILITY, SHALL BE LIMITED TO THE DURATION OF THIS WRITTEN WARRANTY. ANY ACTION FOR BREACH OF ANY WARRANTY HEREUNDER INCLUDING ANY IMPLIED WARRANTY OF MERCHANTABILITY MUST BE BROUGHT WITHIN A PERIOD OF 30 MONTHS FROM DATE OF ORIGINAL PURCHASE. IN NO CASE SHALL THE COMPANY BE LIABLE FOR ANY CONSEQUENTIAL OR INCIDENTAL DAMAGES FOR BREACH OF THIS OR ANY OTHER WARRANTY, EXPRESS OR IMPLIED, WHATSOEVER. No person or representative is authorized to assume for the Company any liability other than expressed herein in connection with the sale of this product.

Some states do not allow limitations on how long an implied warranty lasts or the exclusion or limitation of incidental or consequential damage so the above limitations or exclusions may not apply to you. This Warranty gives you specific legal rights and you may also have other rights which vary from state to state.

U.S.A. : AUDIOVOX CORPORATION, 150 MARCUS BLVD., HAUPPAUGE, NEW YORK 11788 ● 1-800-645-4994

CANADA: CALL 1-800-645-4994 FOR LOCATION OF WARRANTY STATION SERVING YOUR AREA

128-4270E

Free Manuals Download Website

<http://myh66.com>

<http://usermanuals.us>

<http://www.somanuals.com>

<http://www.4manuals.cc>

<http://www.manual-lib.com>

<http://www.404manual.com>

<http://www.luxmanual.com>

<http://aubethermostatmanual.com>

Golf course search by state

<http://golfingnear.com>

Email search by domain

<http://emailbydomain.com>

Auto manuals search

<http://auto.somanuals.com>

TV manuals search

<http://tv.somanuals.com>