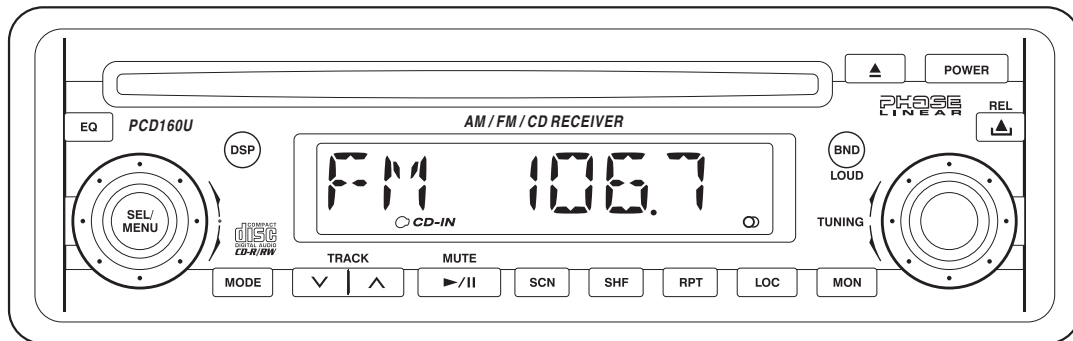


PHASE LINEAR

PCD160U/PMP180U

Owner's Manual/Manual del Usuario/Manual de L'Utilisateur



AM/FM/CD Receiver

Receptor AM/FM/CD

AM/FM/CD Ampli-Syntoniseur

Para obtener instrucciones en Español, diríjase a la página 18.

Pour des instructions en Français, référez-vous à la page 34.

PREPARATION

Getting Started

It's a good idea to read all of the instructions before beginning the installation.

Contents

Installation Instructions.....	3
Wiring	5
Installing the Removable Faceplate	6
Operating Instructions	7
CD Player Operating Instructions.....	10
MP3 Player Operation (PMP180U).....	12
CD Changer Controls (PMP180U)	13
Care and Maintenance.....	14
Specifications	15
90 Day Limited Warranty.....	16

Installation Requirements

This unit is designed for installation in cars, trucks, and vans with an existing radio opening. In many cases, a special installation kit will be required to mount the radio to the dashboard. These kits are available at electronics supply stores and car stereo specialty shops. Always check the kit application before purchasing to make sure the kit works with your vehicle. If you need a kit but cannot locate one, call our

customer support line at 1-800-323-4815. (U.S.A. and Canada only.)

Tools and Supplies

The following tools and supplies are needed to install the radio.

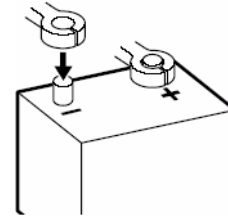
- Torx type, flathead and Philips screwdrivers
- Wire cutters and strippers
- Tools to remove existing radio (screwdriver, socket wrench set or other tools)
- Electrical tape
- Crimping tool
- Volt meter/test light
- Crimp connections
- 18 gauge wire for power connections
- 16-18 gauge speaker wire

Speaker Requirements

Only connect speakers rated with a load impedance of 4 ohms. Speakers with a load impedance of less than 4 ohms could damage the unit.

Disconnect Battery

Before you begin, disconnect the battery negative terminal.



Toll-Free Installation Assistance

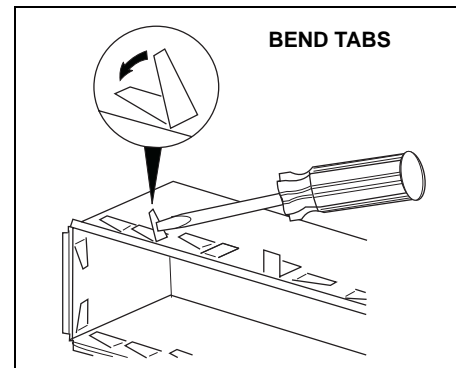
If you require assistance, contact Technical Support at 1-800-323-4815 from 8:30 a.m. to 7:00 p.m. EST Monday through Friday and from 9:00 a.m. to 5:00 p.m. EST on Saturday. (U.S.A. and Canada only.)

INSTALLATION INSTRUCTIONS

Installation Using a Mounting Sleeve

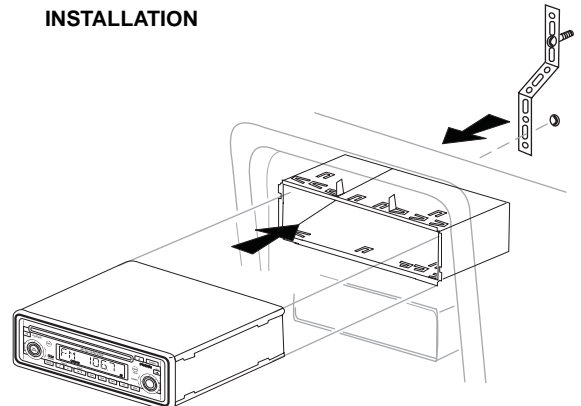
- Slide the mounting sleeve off the chassis. If it is locked into position, use the removal tools (supplied) to disengage it.
- Check the dashboard opening size by sliding the mounting sleeve into it. If the opening is too small, carefully cut or file as necessary until the sleeve easily slides into the opening. Do not force the sleeve into the opening or cause it to bend or bow. Check for sufficient space behind the dashboard for the radio chassis.
- Locate the series of bend tabs along the top, bottom, and sides of the mounting sleeve. With the sleeve fully inserted into the dashboard opening, bend as many of the tabs outward as necessary to firmly secure the sleeve to the dashboard.
- Place the radio in front of the dashboard opening so the wiring can be brought through the mounting sleeve. Follow the wiring diagram carefully and make certain all connections are secure and insulated with wire nuts or electrical tape. After completing the wiring connections, turn the unit on to confirm operation (vehicle ignition must be "on"). If the unit does not operate, re-check all wiring until the problem is corrected.

- Make sure the radio is right-side up, then carefully slide the radio into the mounting sleeve until it is fully seated and the spring clips lock it into place.
- Attach one end of the perforated support strap (supplied) to the screw stud on the rear of the chassis using the hex nut provided. Fasten the other end of the perforated strap to a secure part of the dashboard either above or below the radio to position it as necessary.
- Test the radio using the Operating Instructions that follow.



CAUTION: The support strap must be used to prevent damage to the dashboard from the weight of the radio or improper operation due to vibration.

CAUTION: For proper operation of the CD player, the chassis must be mounted within 20° of horizontal. Make sure the unit is mounted within this limitation.



INSTALLATION INSTRUCTIONS

Installation Using a Kit

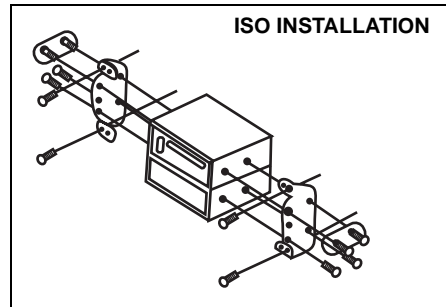
If your vehicle requires the use of an installation kit to mount this radio, follow the instructions included with the installation kit to attach the radio to the mounting plate supplied with the kit.

1. Wire and test the radio as described in step 4 of "Installation Using a Mounting Sleeve" on page 3.
2. Install the radio mounting plate assembly to the sub-dashboard according to the installation kit instructions.
3. Attach the support strap to the radio and dashboard as described in step 6 of "Installation Using a Mounting Sleeve" on page 3.
4. Replace the dashboard trim panel.

ISO Installation

This unit has threaded holes in the chassis side panels which may be used with the original factory mounting brackets of some Toyota, Nissan, Mitsubishi, Isuzu, Hyundai and Honda vehicles to mount the radio to the dashboard. Please consult with your local car stereo specialty shop for assistance on this type of installation.

1. Remove the existing factory radio from the dashboard or center console mounting.



Save all hardware and brackets as they will be used to mount the new radio.

2. Carefully unsnap the plastic frame from the front of the new radio chassis. Remove and discard the frame.
3. Remove the factory mounting brackets and hardware from the existing radio and attach them to the new radio.

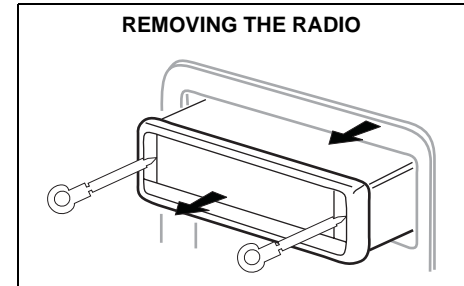
CAUTION: Do not exceed M5 X 6 MM screw size. Longer screws may touch and damage components inside the chassis.

4. Wire the new radio to the vehicle as described in step 4 of "Installation Using a Mounting Sleeve" on page 3.

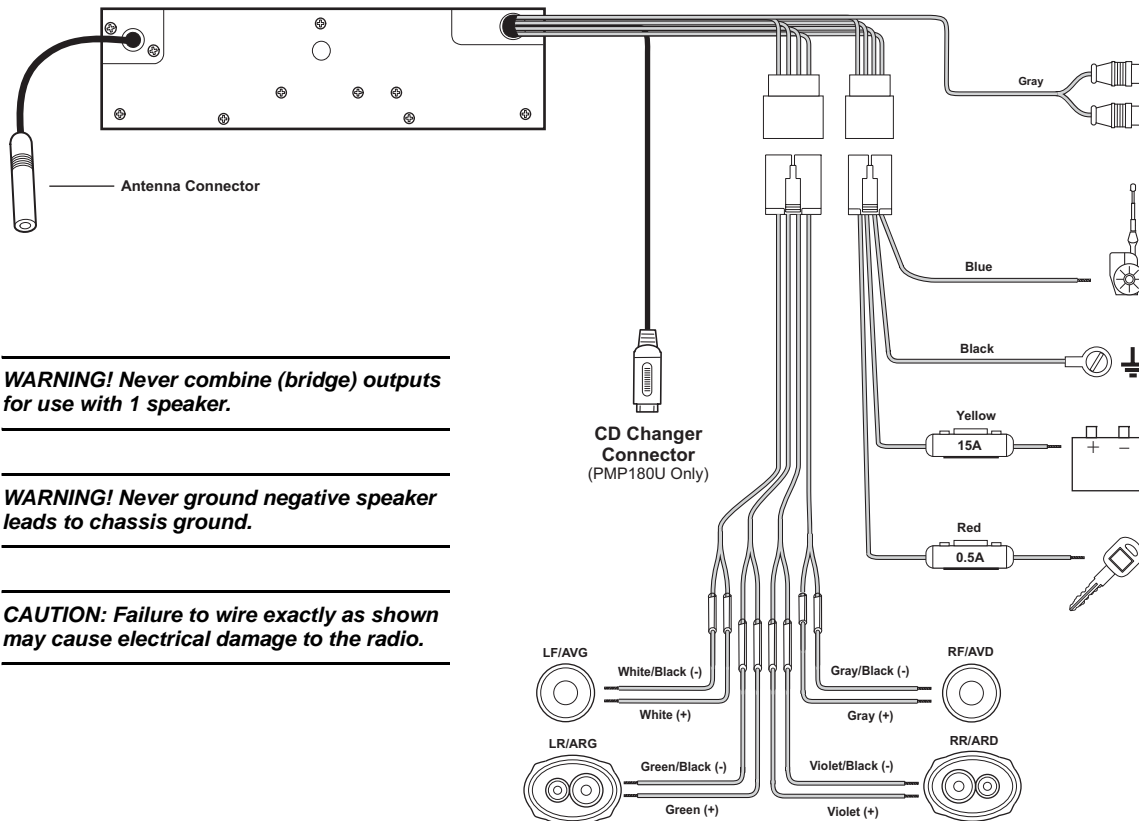
5. Mount the new radio assembly to the dashboard or center console using the reverse procedure in step 1 of "Installation Using a Mounting Sleeve" on page 3.

Removing the Radio

To remove the radio after installation, remove the trim ring by lifting in the center and pulling it off from either side. Insert the removal keys straight back until they lock, then pull the radio out. If removal keys are inserted at an angle, they will not lock properly and will not release the unit.



WIRING



WARNING! Never combine (bridge) outputs for use with 1 speaker.

WARNING! Never ground negative speaker leads to chassis ground.

CAUTION: Failure to wire exactly as shown may cause electrical damage to the radio.

Amplifier Wiring

Connect line out for optional external amplifiers. The red connector is for the right and the white connector is for the left.

Power Antenna

Connect to power antenna or amplifier. If not used, tape bare end of wire.

Ground

Connect to ground terminal.

Memory/Battery

Connect to battery or 12 volt power source that is always live. The radio will not work if this wire is not connected.

Accessory/Ignition

Connect to existing radio wire or radio fuse.

Fuses

When replacing a fuse, make sure the new fuse is the correct type (AGC) and amperage. Using an incorrect fuse could damage the radio.

INSTALLING THE REMOVABLE FACEPLATE

Faceplate Installation

To install the faceplate, slip the left edge of the front panel into the radio then gently press the right side into place.

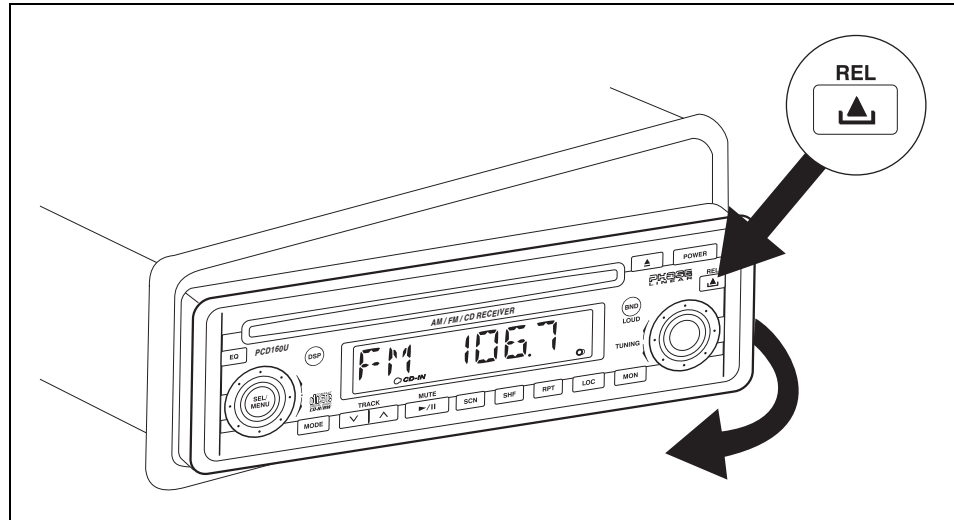
Faceplate Detachment

To remove the faceplate, press the **REL** button, and pull gently on the right side of the front panel.

For safekeeping, store the front panel in the protective case provided.

Handling Precautions

- Make sure the front panel is right-side-up when attaching it to the chassis as it cannot be attached when up-side down.
- Do not press very hard on the front panel when attaching it to the chassis. No more than light to moderate pressure is needed.
- When attaching the front panel, make sure it is centered in the chassis frame and is pressed straight into position.
- Do not drop the front panel.
- Do not put pressure on the display or control buttons when handling the front panel.
- Do not touch the electrical terminals on the front panel or main unit.



- Remove dirt or foreign substances with a clean, *dry* cloth only.
- Do not expose the front panel to extreme temperatures or direct sunlight.
- Keep volatile agents such as benzene, thinner, or insecticides away from the front panel.
- Do not disassemble the front panel.
- When taking the front panel with you, please use the supplied carrying case to protect the panel from dirt and damage.
- Make sure there is no dust or dirt on the electrical terminals on the back of the panel as this could cause intermittent operation or other malfunctions.

OPERATING INSTRUCTIONS

① Power On/Off Button

Press the **POWER** button (1) to turn the unit on and off when the vehicle ignition switch is on. When the unit is off, the clock is automatically displayed on the Liquid Crystal Display (LCD) panel unless the ignition switch is off. If the radio is off when the ignition switch is turned off, the **POWER** button must be pressed to turn the radio on after the ignition switch is turned on. If the ignition switch is turned off while the radio is on, the radio will come on automatically when the ignition switch is again turned on.

② Liquid Crystal Display Panel

The Liquid Crystal Display (LCD) panel displays the frequency, time, and all activated functions, including a 5-bar graph which depicts the signal level.

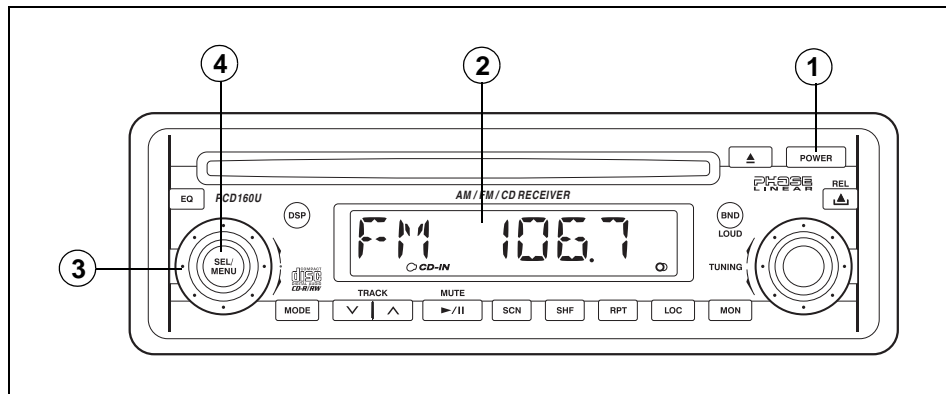
NOTE: It is a characteristic of LCD panels that, if subjected to cold temperatures for an extended period of time, they may take longer to illuminate than under normal conditions. In addition, the visibility of the numbers on the LCD may slightly decrease. The LCD read-out will return to normal when the temperature inside the vehicle increases to a normal range.

③ Volume Control

To increase or decrease the volume level, turn the **MULTI/JOG** control (3) that surrounds the **SEL/MENU** button (4). The volume will increase and the level will be shown on the display panel from a minimum of "VOL 0" to a maximum of "VOL 46". The display will automatically return to the normal indication 5 seconds after the last volume adjustment or when another function is activated. This knob is also used in conjunction with the **SEL/MENU** button to adjust the bass, treble, balance and fader levels.

④ Select Button (SEL/MENU)

The **SEL/MENU** button is used to select the audio function (volume, bass, treble, balance or fade) to be adjusted using the **MULTI/JOG** control (3). Press the **SEL/MENU** button once to set the unit for volume adjustment ("VOL" and the setting number will momentarily appear on the display panel). Press the button additional times to select bass (BAS), treble (TRE), balance (BAL), fader (FAD), and volume (VOL) again. The display returns to the normal indication 5 seconds after the last adjustment or when another function is activated.



OPERATING INSTRUCTIONS

④ Bass Control

To adjust the bass level, press the **SEL/MENU** button (4) until "BAS" appears on the display panel. Within five seconds, rotate the **MULTI/ JOG** control (3) to adjust the bass from "BAS -6" to "BAS 06". "BAS 00" represents a flat response.

④ Treble Control

To adjust the treble level, press the **SEL/MENU** button (4) until "TRE" appears on the display panel. Within five seconds, rotate the **MULTI/ JOG** control (3) to adjust the treble from a minimum of "TRE -6" to a maximum of "TRE 06". "TRE 00" represents a flat response.

④ Left/Right Balance Control

To adjust the left-right speaker balance, press the **SEL/MENU** button (4) until the "BAL" indication appears on the display panel. Within five seconds, rotate the **MULTI/ JOG** control (3) to adjust the balance between the left and right speakers from "12L" (full left) to "12R" (full right). "L=R" represents an equal balance level between the left and right speakers.

④ Rear/Front Fader Control

To adjust the front/rear speaker balance, press the **SEL/MENU** button (4) until "FAD" appears on the display panel. Within five seconds, rotate the **MULTI/ JOG** control (3) to adjust the balance between the rear and front speakers from "12R" (full rear) to "12F" (full front). "R=F" represents an equal balance level between the rear and front speakers.

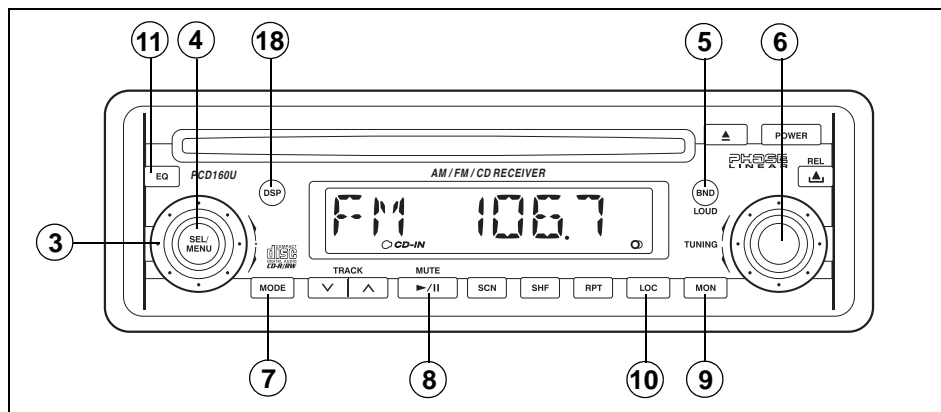
⑤ AM/FM Band Selector (BND)

During radio play, each time the **BND** button (5) is pressed, the radio band changes. The

indications "AM" or "FM" appear on the display panel according to your selection.

⑤ Loudness Control (BND)

When listening to music at low volumes, this feature will boost the bass and treble ranges to compensate for the characteristics of human hearing. Press and hold the **BND** button (5) to activate this feature as indicated by "LOUD ON" on the display panel. Press the **BND** button again to deactivate the function and "LOUD OFF" will appear on the display.



OPERATING INSTRUCTIONS

⑥ Manual Tuning Control

Turn the **TUNING** control (6) clockwise to tune upward in frequency on the band in use, or counter-clockwise to tune downward in frequency. The current frequency will be shown in digital format on the display panel. When tuning in a station, always adjust the control so that the correct broadcast frequency is shown on the display and you are receiving a clear signal. If the radio is tuned off-frequency, you could experience distorted audio, noise and other reception problems.

⑦ Mode Button (MODE)

Press the **MODE** button (7) to change between radio, CD or CD Changer play. When a CD is playing, you can press this button to revert to radio operation.

⑧ Audio Mute (MUTE)

Press the **MUTE** button (8) to mute the volume from the system. "MUTE" will appear on the display panel and the volume will be muted. Press the **MUTE** button again, turn the **MULTI/JOG** control (3), or press the **SEL/MENU** button (4) to return the volume level to the setting in use before the Mute function was activated.

⑨ FM Mono Select (MON)

During FM radio operation, press the **MON** button (9) to select mono or stereo reception of the broadcast signal. Under normal reception conditions, the unit should be left in the stereo mode as indicated by the "ST" icon on the display panel when tuned to an FM stereo signal. If the stereo signal is too noisy for comfortable listening, press the **MON** button to switch to monaural reception. To return to stereo reception mode, press the button again so that the "ST" indication reappears.

⑩ Local Button (LOC)

During radio operation, received signals are usually in stereo mode as indicated by the "ST" icon; however, when the signals are weak or intermittent, you can activate the Local (LOC) mode by pressing the **LOC** button (10). "LOC" appears on the display. This mode favors access to local stations whose signals are much stronger; thereby improving radio reception. Press the **LOC** button again to terminate Local receive mode ("LOC" disappears from the display panel).

⑪ Equalizer Selector (EQ)

The **EQ** button (11) applies preset sound effects to the unit's audio output signal. When

pressed, it will activate one of the following modes: "FLAT", "CLASSICS", "POP M", "ROCK M" or "DSP OFF". When the Equalizer function is active, the bass and treble levels can still be changed to accommodate the listener's ear. When the **EQ** function is not active, the unit returns to the user-set bass and treble levels.

⑱ Display Selector (DSP)

This unit can display either the clock time or radio frequency/CD player functions. Ordinarily, the radio frequency or CD player track indication is displayed, but the unit will display the time when the **DSP** button (18) is pressed. The time will display for approximately 5 seconds then return to the radio or CD player function display. The correct time-of-day can be set by pressing and holding the **DSP** button.

Setting the Clock

To set the clock, perform the following steps:

1. Turn the vehicle ignition and radio on.
2. Press and hold the **DSP** button (18) until the time display flashes.
3. Within 5 seconds, turn the **MULTI/JOG** control (3) clockwise to adjust the minutes to the desired setting.
4. Turn the **MULTI/JOG** control counter-clockwise to adjust the hour and the "AM"/"PM" indication to the desired time.

CD PLAYER OPERATING INSTRUCTIONS

12 Disc Slot

With the label surface facing up, fully insert a compact disc into the slot until the mechanism engages and pulls the disc in. The disc symbol "CD-IN" will appear on the display and play will begin from the first track on the disc, accompanied by the elapsed time of track play.

NOTE: The unit is designed for play of standard 5" (12 cm.) compact discs only. Do not attempt to use 3" (8 cm.) CD singles in this unit, either with or without an adaptor, as damage to the player and/or the disc may occur. Such damage will not be covered by the warranty on this product.

8 CD Play/Pause Selector

During disc play, press the ►/|| (play/pause) button (8) to pause the disc. When paused, the disc symbol will flash and play will be suspended. When pressed again, playback will resume from the point at which disc play was stopped, and will continue until all tracks on the disc have been played, after which playback will automatically stop (unless the repeat mode has been selected).

13 Forward Track Selector

During disc play, the forward TRACK ^ button (13) is used to quickly select the beginning of a particular track in the forward direction. With each press of the button, the next higher track number will be selected, as shown on the display panel.

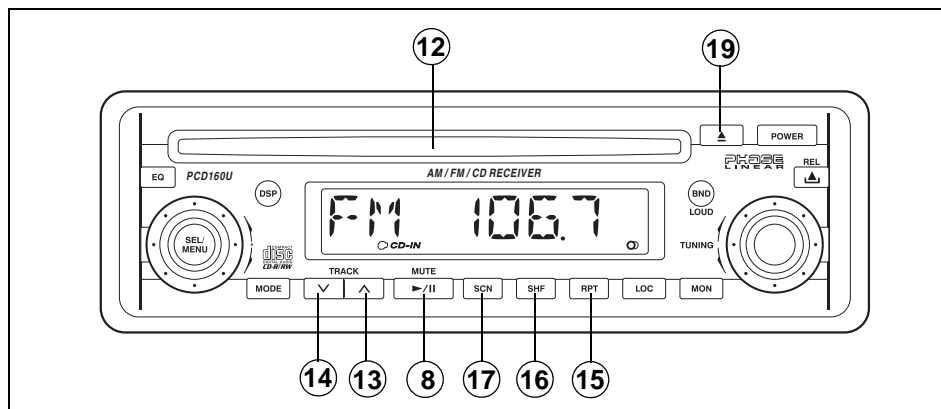
14 Backward Track Selector

During disc play, the backward TRACK ∨ button (14) is used to quickly select the beginning of a particular track in the backward direction. With each press of the button, the

next lower track number will be selected, as shown on the display panel.

13, 14 Cue/Review Functions

High-speed audible search to any section of the disc can be made by the Cue and Review functions. *Press and hold* the forward TRACK ^ button (13) to advance rapidly in the forward direction (the disc play symbol will rotate forward on the display panel) or the backward TRACK ∨ button (14) to advance rapidly in the backward direction (the disc symbol will rotate backwards on the display panel).



CD PLAYER OPERATING INSTRUCTIONS

15 Repeat Play Selector (RPT)

During disc play, press the **RPT** button (15) to repeat the playback of a desired track ("S - RPT" appears on the display panel, followed by the current track number). Play of the selected track will continue to repeat until the Track Repeat function is cancelled by pressing the button again or by activating the Intro-Scan or Random play function, causing the "S - RPT" indication to disappear.

16 Random Play Mode (SHF) Selector


During disc play, *press and hold* the **SHF** button (16) for 2 seconds to play the tracks on the disc in a random or shuffled order ("S - SHF" appears on the display panel followed by the current track number). In Random Play mode, pressing the forward or backward **TRACK** buttons (13 and 14) will select tracks in a random order instead of the normal progression. To cancel, press the **SHF** button for 2 seconds.

17 Track Scan Select (SCN)

During disc play, press the **SCN** button (17) to play the first 10 seconds of each track. ("S - SCN" will be displayed with the track number).

When a desired track is reached, press the **SCN** button again to cancel the function and play the selected track.

19 Disc Eject Button

Press the eject  button (19) to stop disc play and eject the disc. The unit will revert to radio operation. Discs may be ejected with the vehicle ignition switch on or off. If an ejected disc is not removed from the disc slot within 10 seconds of being ejected, the disc will be inserted automatically, and the disc symbol will reappear on the display to show that a disc is still installed in the unit.

NOTE: To prevent a disc from accidentally being damaged, always remove the disc from the unit when disc play is finished.

MP3 PLAYER OPERATION (PMP180U)

This section applies to the PMP180U only.

Instructions for Insert/Eject, Play/Pause, Track Selection, Cue/Review, Scan, Repeat, and Random are the same for CD and MP3 operation. Please see the CD Player Operation section for information about these topics.

After inserting an MP3 disc, "MP3 T" and the track number momentarily appear, followed by the ID Tag (if supported). After these initial indications, the track number and song name alternately appear, with the song name scrolling right to left across the display.

Display Information

Press the **DSP** button (18) to display the ID3 tag, if available. The ID tag can specify the song title, artist, album, year and/or comments. If no ID tag is available, "-NO ID3" will appear in the display following the comments.

Direct Song/File Access

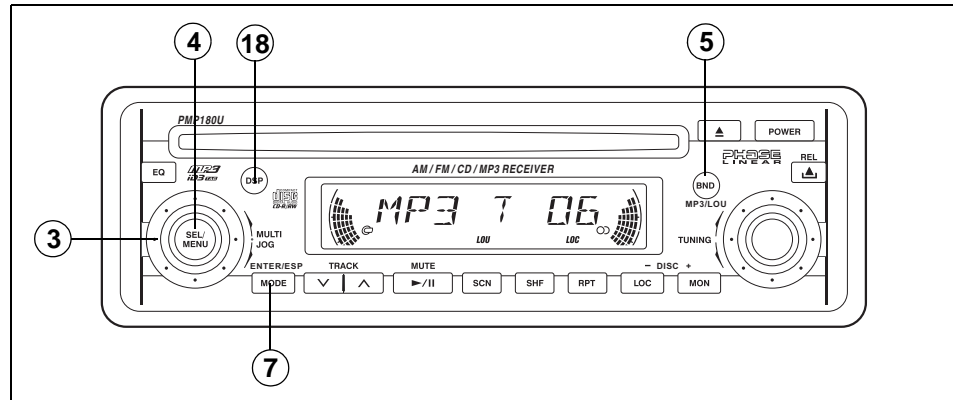
Press the **BND** button (5) once to enable direct track searching. Use the **MULTI/JOG** control (3) to select the desired song/file. Press the **MODE/ENTER/ESP** button (7) to play the selected song/file, or do nothing and the unit will search and play the song/file within three seconds.

Searching by Name

1. Press the **BND** button (5) twice to enable directory or file name searching.
2. Use the **MULTI/JOG** control (3) to select the characters A-Z, _ , - , + , and 0-9.
3. Press the **SEL/MENU** button (4) to confirm entry of each character.
4. Press the **MODE/ENTER/ESP** button (7) to begin the search. If the selected entry is a directory name, " ` ` " will be displayed.
5. Use the **MULTI/JOG** control to select the song/file in this directory/folder.
6. Press the **BND** button to play the selected song/file.

Searching the Root Directory

1. Press the **BND** button (5) three times.
2. Use the **MULTI/JOG** control (3) to select the desired directory/song. If a directory is present, "D-DIR" appears in the display.
3. Press the **MODE/ENTER/ESP** button (7) to access the directory. " ` ` " will appear in the display indicating that a directory has been selected for searching.
4. Use the **MULTI/JOG** control to select the song/file.
5. Press the **BND** button to play your selection.



CD CHANGER CONTROLS (PMP180U)

This section applies to the PMP180U only.

Built into the PMP180U are controls to operate an optional CD changer. Please check with your Phase Linear/Audiovox car stereo specialist or call 1-800-323-4815 for recommendations of the models that will work with this radio.

Adjustment of the audio functions (volume, tone, balance, and fader) and CD functions (Pause/Play, SCN, SHF, RPT and TRACK selection) for the CD changer operate in the same manner as they do for radio play. See the Operation and CD Player Operation sections for information about these topics.

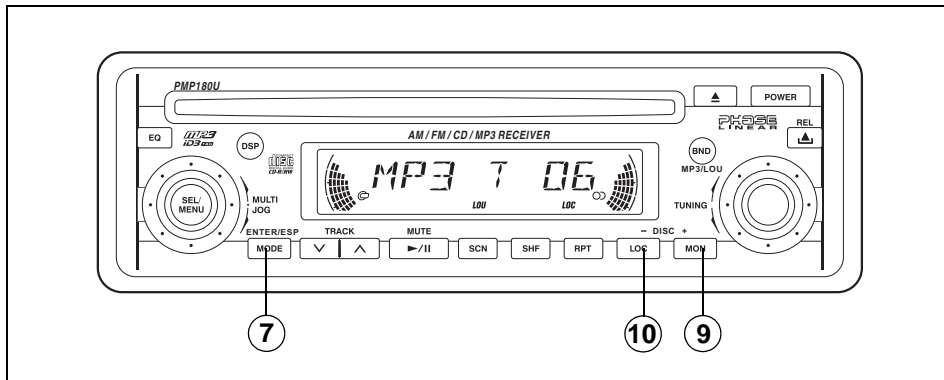
The following controls will operate the CD changer when it is installed and connected to this radio. Refer to the owner's manual included with the CD changer for instructions on the installation and correct loading and use of the CD magazine.

⑦ CD Changer Mode Selector (MODE)

Press the **MODE** button (7) to select operation of the CD changer, as shown by "CDC" on the display panel. Disc play will begin and the disc and track number will be shown on the display panel. If a new magazine has been loaded into the changer, play will begin from the first track of the first disc in the magazine. If a magazine was already in the changer, play will resume from the track on the disc previously in play.

⑨, ⑩ Disc Select (DISC +/- DISC -)

These **DISC +/-** buttons (9 and 10) are used to select the desired disc for play. To advance to a higher number disc, press the **DISC +** button (9). To return to a lower number disc, press the **DISC -** button (10). The number of the disc in play will be shown on the display panel.



CARE AND MAINTENANCE

Your new radio/CD player does not require any maintenance. However, proper understanding of its use and handling will help you obtain maximum enjoyment of its capabilities. We recommend that you keep this manual for reference on the many features of this unit as well as how to set the clock. The following points should be observed:

- When cleaning the interior of the vehicle, do not get water or cleaning fluids on the unit.
- The CD player is a precision instrument and will not operate properly in extreme heat or cold. If such conditions occur, wait until the interior of the vehicle reaches a normal temperature before using the player.
- If the temperature inside the player gets too hot, a protective circuit will automatically stop play of the disc. In this case, allow the unit to cool before operating the player again.
- Never insert anything other than a 5" (12 cm) compact disc into the player as the mechanism can be damaged by foreign objects.
- Do not attempt to use 3" (8 cm) CD-Single discs in this unit, either with or without an adaptor, as damage to the player and/or

disc may occur. Such damage will not be covered by the Warranty on this product.

- When not using the disc player, always remove the compact disc. Do not leave an ejected disc sitting in the disc slot as this can expose it to sunlight and other causes of damage.
- Do not attempt to open the unit chassis. There are no user-serviceable parts or adjustment points inside.
- When the vehicle warms up during cold weather or under damp conditions, condensation may appear on the lens of the disc player. Should this occur, the player will not operate properly until the moisture has evaporated.
- The unit is designed with a vibration dampening CD mechanism to minimize interruption of disc play due to normal vibration. When driving on rough roads, however, occasional sound skips may occur. This will not scratch or damage the disc and normal play will resume when the rough conditions cease.

Handling Compact Discs

Dirt, dust, scratches and warping can cause skips in the playback and deterioration of sound quality. Please follow these guidelines to take care of your compact discs:

- Carefully wipe fingerprints, dust and dirt from the disc's playing surface with a soft cloth. Wipe in a straight motion from the center to the outside of the disc.
- Never use chemicals such as record sprays or household cleaners to clean CDs, as they can irreparably damage the disc's surface.
- Discs should be kept in their storage cases when not in use.
- Do not expose discs to direct sunlight, high temperatures or high humidity for long periods.
- Do not stick paper, tape or labels on disc surfaces.

RESET BUTTON

A Reset button is located behind the faceplate on the left side (the front panel must be removed to access the button). The Reset function is provided to protect the microprocessor circuitry and should only be activated under the following circumstances as it will erase the time and pre-set memories: Upon initial installation after all wiring is completed; If there is a malfunction of any of the switches on the unit, pressing the Reset button may clear the system and return to normal operation.

SPECIFICATIONS

CD-R and CD-RW Capability

Depending on media type and method of "recording/burning", some CD-R/RWs may be incompatible with this unit. After "recording/burning", **the session must be closed**. Please refer to your software's recommended procedures for closing a disc/session. Review your recording software to familiarize yourself with the correct "recording/burning" procedures. We recommend using the latest versions of ROXIO™ or NERO™ burning software.

PCD160U

This unit will only recognize the **CDDA (Compact Disc Digital Audio) format** "recorded/burned" onto a CD-R/RW. This unit does not support .MP3, .WMA, .WAV, .OGG or other formats. The CDDA format is the standard format of an "original store-bought" CD. When recording/burning a CD-R/RW make sure the CDDA format is selected.

PMP180U

This unit will only recognize the **CDDA (Compact Disc Digital Audio) and .MP3** formats "recorded / burned" onto a CD-R/RW. This unit does not support .WMA, .WAV, .OGG or other formats.

Technical Specifications



CEA Power Ratings

Power Output: 13 watts RMS X 4 channels into 4-ohms @ < 1% THD+N
 Signal to Noise Ratio: 70dBA below reference.
 (Reference: 1 watt, 4-ohms)
 Frequency Response: 20Hz to 20kHz, -3dB
 Reference Supply Voltage: 14.4VDC

CD Player

Signal to Noise Ratio: >75dBA
 Frequency Response: 20Hz to 18kHz, -3dB
 Channel Separation: > 55dB @ 1kHz
 D/A converter: 1Bit/Ch

FM Tuner

Tuning Range: 87.5MHz - 107.9MHz
 Mono Sensitivity: 18dBf
 50dB Stereo Quieting Sensitivity: 20dBf
 Stereo Separation @ 1kHz: >30dB
 Frequency Response: 30Hz to 12kHz, -3dB

AM Tuner

Tuning Range: 530kHz - 1710kHz
 Sensitivity @ 20dB Signal to Noise: 30uV
 Frequency Response: 30Hz - 2kHz, -3dB

General

Power Supply: 11 to 16VDC, negative ground
 Fuses: Battery - 15 amp/AGC, Ignition/
 Accessory - 0.5 amp/AGC
 4 + 9 pin quick-connect harness
 Dimensions: 7" X 7" X 2" (178mm x 178mm x 51mm)

Specifications subject to change without notice.

90 DAY LIMITED WARRANTY

AUDIOVOX CORPORATION (the Company) warrants to the original retail purchaser of this product that should this product or any part thereof, under normal use and conditions, be proven defective in material or workmanship within 90 days from the date of original purchase, such defect(s) will be repaired or replaced with new or reconditioned product (at the Company's option) without charge for parts and repair labor. To obtain repair or replacement within the terms of this Warranty, the product is to be delivered with proof of warranty coverage (e.g. dated bill of sale), specification of defect(s), transportation prepaid, to the warranty center at the address shown below.

This Warranty does not extend to the elimination of car static or motor noise, to correction of antenna problems, to costs incurred for installation, removal, or reinstallation of the product, or damage to tapes, compact discs, accessories or vehicle electrical systems. This Warranty does not apply to any product or part thereof which, in the opinion of the Company, has suffered or been damaged through alteration, improper installation, mishandling, misuse, neglect, accident, or by removal or defacement of the factory serial number/bar code label(s) or markings. THE EXTENT OF THE COMPANY'S

LIABILITY UNDER THIS WARRANTY IS LIMITED TO THE REPAIR OR REPLACEMENT PROVIDED ABOVE AND, IN NO EVENT, SHALL THE COMPANY'S LIABILITY EXCEED THE PURCHASE PRICE PAID BY PURCHASER FOR THE PRODUCT.

This Warranty is in lieu of all other express warranties or liabilities. ANY IMPLIED WARRANTIES, INCLUDING ANY IMPLIED WARRANTY OF MERCHANTABILITY, SHALL BE LIMITED TO THE DURATION OF THIS WRITTEN WARRANTY. ANY ACTION FOR BREACH OF ANY WARRANTY HEREUNDER INCLUDING ANY IMPLIED WARRANTY OF MERCHANTABILITY MUST BE BROUGHT WITHIN A PERIOD OF 30 MONTHS FROM DATE OF ORIGINAL PURCHASE. IN NO CASE SHALL THE COMPANY BE LIABLE FOR ANY CONSEQUENTIAL OR INCIDENTAL DAMAGES FOR BREACH OF THIS OR ANY OTHER WARRANTY, EXPRESS OR IMPLIED, WHATSOEVER. No person or representative is authorized to assume for the Company any liability other than expressed herein in connection with the sale of this product.

Some states do not allow limitations on how long an implied warranty lasts or the exclusion or limitation of incidental or consequential damage so the above limitations or exclusions

may not apply to you. This Warranty gives you specific legal rights and you may also have other rights which vary from state to state.

U.S.A: Audiovox Corporation, 150 Marcus Blvd., Hauppauge, NY 11788, 1-800-323-4815
CANADA: Call 1-800-323-4815 for location of a warranty station serving your area.

Audiovox Electronics Corporation
150 Marcus Boulevard
Hauppauge, NY 11788
1-800-323-4815
www.audiovox.com

©2005 Audiovox
v.011505

PCD160U/PMP180U

Manual del Usuario

For instructions in English, refer to page 2.

Pour des instructions en Francais, référez-vous à la page 34.

PREPARACIÓN

Comenzando

Es buena idea leer completamente las instrucciones antes de iniciar la instalación.

Contenido

Instrucciones de Instalación	19
Cableado	21
Instalación de la Cubierta Desmontable..	22
Instrucciones de Operación.....	23
Funcionamiento del Lector de CD.....	26
Operacion del Equipo de MP3	28
Controls del Cambiador de CD	29
Cuidados y Mantenimiento.....	30
Especificaciones.....	31
Garantia Limitade de 3 Meses	32

Requisitos para la Instalación

Esta unidad está diseñada para instalarse en autos, camiones y camionetas con abertura para radio preexistente. En muchos casos, se necesitará un equipo de instalación especial para montar el radio al tablero de instrumentos. Estos equipos se consiguen en tiendas de artículos electrónicos o tiendas de estéreos para automóviles. Antes de comprar el equipo, asegúrese de que funcione con su vehículo. Si necesita un equipo de instalación pero no

puede conseguirlo, llame a nuestra línea de atención al cliente al 1-800-645-4994 (sólo para U.S.A. y Canadá).

Herramientas y Provisiones

Las siguientes herramientas y provisiones son necesarias para instalar el radio:

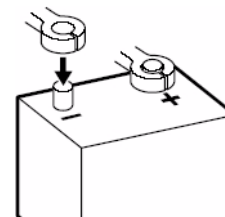
- Llave torx, destornilladores plano y Philips
- Cúter y peladores de cables
- Herramientas para remover la radio existente (destornillador, equipo de llave de casquillo y otras herramientas)
- Cinta aisladora
- Enganchador
- Voltímetro / luz de prueba
- Conexiones para enganchar
- Cable de calibre 18 para conexiones eléctricas, cable de altoparlante de calibre 16 a 18

Requerimientos del Altavoz

Solamente conecte los altavoces de carga de impedancia de 4 ohms. Altavoces con una carga de impedancia menor a los 4 ohms pueden dañar la unidad.

Desconecte la Batería

Antes de empezar, siempre desconecte la terminal negativa de la batería.



Asistencia Gratuita en la Instalación

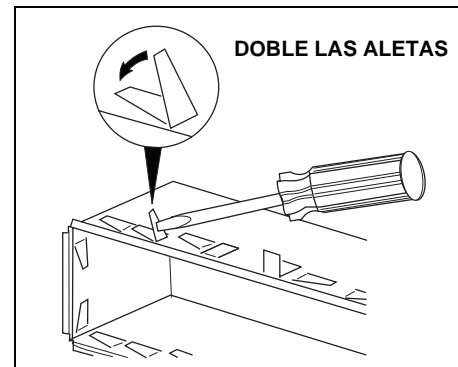
Si requiere asistencia, llame al Soporte Técnico al 1-800-323-4815 de lunes a viernes de 8:30 AM a 7:30 PM tiempo del este y los sábados de 9:00 AM a 5:00 PM tiempo del este (para USA y Canadá solamente.)

INSTRUCCIONES DE INSTALACIÓN

Instalación Utilizando una Manga de Montaje

1. Deslice la manga de montaje fuera del chasis. Si está trabada, utilice la herramienta para quitarla (provista).
2. Verifique el tamaño de apertura del tablero deslizando la manga de montaje adentro del mismo. Si la apertura no es lo suficientemente grande, cuidadosamente córtela o límela hasta que la manga se deslice hacia adentro sin dificultad. No fuerce la manga al introducirla en la apertura ni provoque que se doble. Verifique si hay suficiente espacio detrás del tablero para el chasis del radio.
3. Localice la serie de lengüetas para doblar en la parte superior, inferior y costados de la manga de montaje. Con la manga completamente insertada en la apertura del tablero, doble hacia afuera todas las lengüetas que sean necesarias para que quede sujeta firmemente al tablero.
4. Ubique el radio en frente de la apertura del tablero de manera tal que los cables puedan pasar por la manga de montaje. Siga el diagrama de cableado detalladamente y asegúrese de que todas las conexiones estén seguras y aisladas con tuercas para cables y cinta aisladora para asegurar el apropiado funcionamiento de la unidad. Luego de completar las conexiones del cableado, encienda la unidad para confirmar la operación (la ignición del vehículo debe estar encendida). Si la unidad no opera, verifique nuevamente todas las conexiones de cables hasta que se solucione el problema.

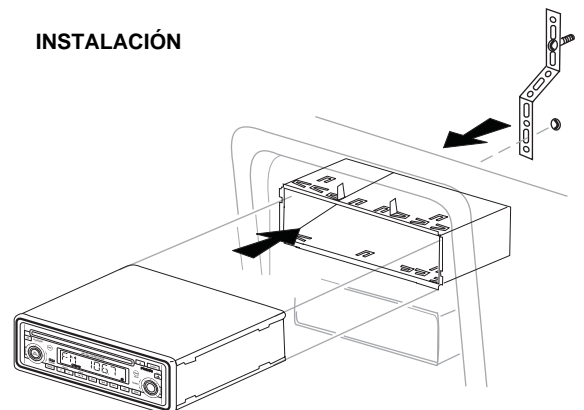
5. Asegúrese de que el radio tenga el lado correspondiente hacia arriba, luego cuidadosamente deslícelo dentro de la manga de montar hasta que esté completamente asentado y las presillas lo traben en su lugar.
6. Fije un extremo de la cinta de soporte perforada (provista) al perno en la parte trasera del chasis utilizando la tuerca hexagonal suministrada. Asegure el otro extremo de la cinta perforada a una parte firme del tablero, ya sea arriba o abajo del radio, utilizando el tornillo provisto. Doble la cinta hasta colocarla en la posición adecuada.
7. Verifique la operación del radio leyendo las Instrucciones de Operación.



CUIDADO: La cinta de soporte se debe utilizar para prevenir daños al tablero debido al peso del radio o una inadecuada operación causada por vibraciones.

INSTALACIÓN

CUIDADO: Para una correcta operación del equipo de CD, el chasis debe estar montado dentro de los 20° de horizontalidad. Asegúrese de que la unidad esté montada dentro de este límite.



INSTRUCCIONES DE INSTALACIÓN

Equipo de Instalación

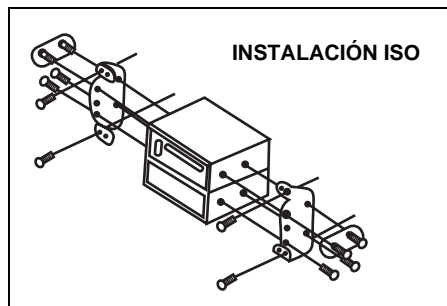
Si su vehículo requiere el uso de un equipo de instalación par amontar este radio, siga las instrucciones incluidas con el equipo de instalación para adherir el radio al plato de montaje provisto en el equipo.

1. Conecte el cable y verifique el radio como se determina en las instrucciones de Instalación Universal.
2. Instale el radio o el ensamblaje del plato de montaje al segundo tablero, de acuerdo a las instrucciones en el equipo de instalación.
3. Adjunte la cinta de soporte al radio y al tablero como se describe en las instrucciones de Instalación Universal.
4. Reemplace el panel de ajuste del tablero.

Instalación ISO

Esta unidad tiene agujeros roscados en los paneles laterales de chasis que pueden utilizarse con las ménsulas de montar originales de fábrica que vienen con algunos vehículos para motar el radio al tablero. Por favor, consulte en su tienda local de estéreos de automóviles si necesita asistencia en este tipo de instalación.

1. Quite del tablero el radio existente de fábrica o centre la consola de montaje.



- Guarde todos los elementos y ménsulas pues serán utilizados para montar el nuevo radio.
2. Con cuidado destrabe el marco plástico del frente del chasis del nuevo radio. Quite y deseche el marco.
 3. Quite las ménsulas y elementos de montaje que vienen de fábrica con el radio existente y adhiéralos al nuevo radio.

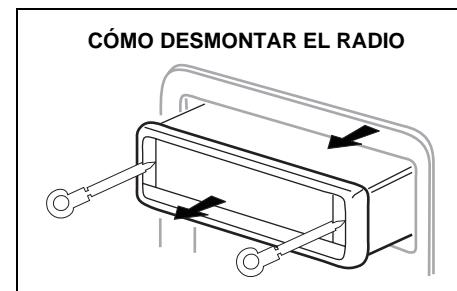
NOTA: No exceda el tamaño de tornillo de M5 x 9MM. Tornillos más largos pueden tocar y dañar componentes dentro del chasis.

4. Conecte los cables del nuevo radio al vehículo como se especifica en las

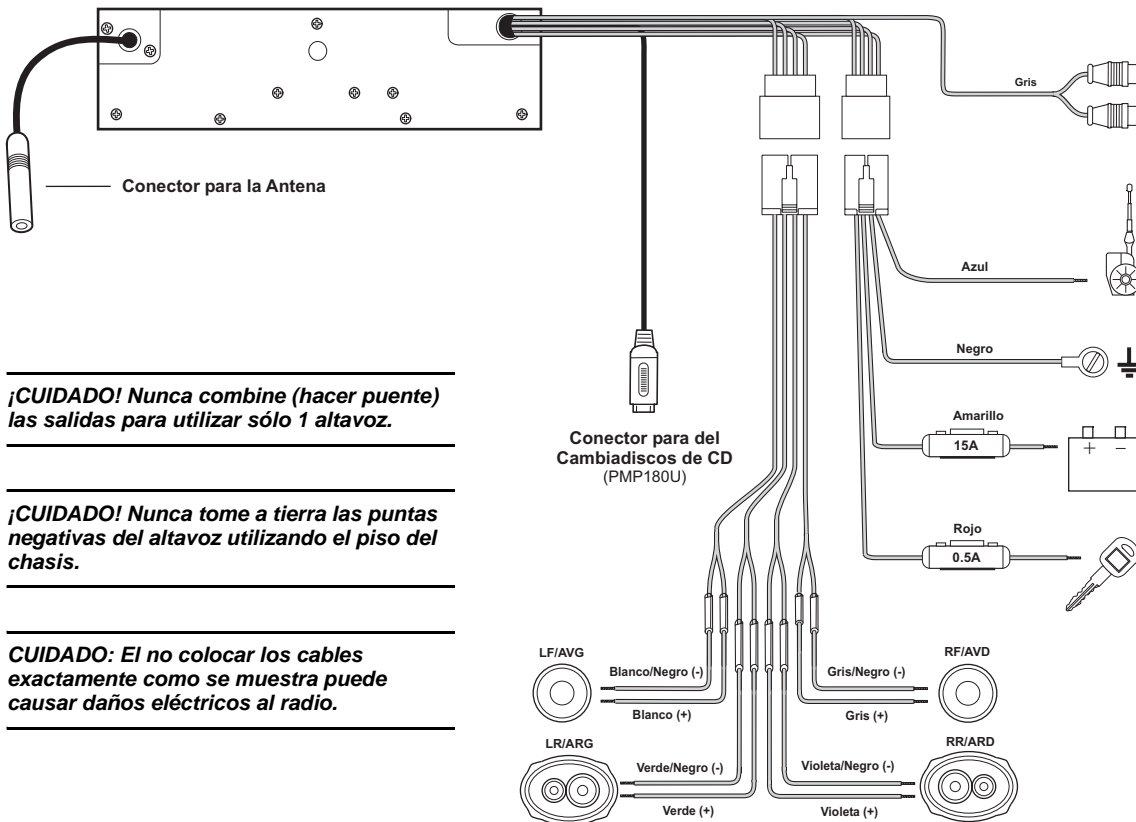
instrucciones de Instalación Universal. Monte el ensamblaje del nuevo radio al tablero o a la consola central utilizando el procedimiento reverso al paso 1.

Cómo Desmontar el Radio

Inserte la(s) herramienta(s). Hale el radio hacia afuera. Desconecte el arnés del cableado, y quite el radio.



CABLEADO



¡CUIDADO! Nunca combine (hacer puente) las salidas para utilizar sólo 1 altavoz.

¡CUIDADO! Nunca tome a tierra las puntas negativas del altavoz utilizando el piso del chasis.

CUIDADO: El no colocar los cables exactamente como se muestra puede causar daños eléctricos al radio.

Conexión del Amplificador

Conecte la línea de salida para una amplificación externa óptima. El conector rojo es para la derecha y el blanco para la izquierda.

Alimentación Antena

Conectar a la antena o al amplificador. Si no se utilizara el cable, se debe recubrir la punta del cable.

Conexión a Tierra

Conectar a la terminal de tierra.

Memoria/Batería

Conectar a la batería o a la fuente de energía de 12 voltios que está siempre viva. La radio no funcionará si este cable no está conectado.

Accesorio/Ignición

Conectar al cable de la radio o al fusible de la radio.

Fusibles

Cuando reemplace un fusible asegúrese que el fusible nuevo sea del tipo correcto y tenga el amperaje adecuado. Si utiliza un fusible incorrecto.

INSTALACIÓN DE LA CUBIERTA DESMONTABLE

Instalación de la Cubierta

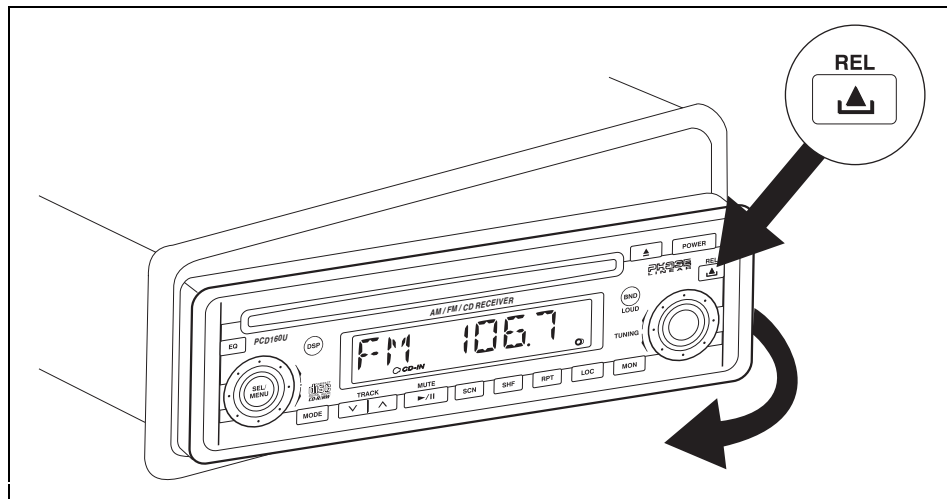
Para instalar la cubierta desmontable, deslice el borde derecho del panel delantero dentro del radio, luego suavemente presione el lado izquierdo hasta trabarlo.

Desprendimiento de la Cubierta

Para quitar la cubierta, presione el botón para liberarla (REL), y jale suavemente del lado izquierdo del panel. Por seguridad, mantenga el panel en la caja de protección suministrada.

Precauciones al Manipular

- Asegúrese de que el panel delantero tenga el lado correspondiente hacia arriba cuando lo adhiera al chasis, dado que no puede ser adherido si está al revés.
- No presione con fuerza el panel delantero cuando lo adhiera al chasis. No es necesaria más que una presión moderada.
- Cuando adhiera el panel delantero, asegúrese que esté centrado en el marco del chasis y que lo está presionando justo en su lugar.
- No deje caer el panel delantero.
- No presione la pantalla o los botones de control cuando manipule el panel delantero.
- No toque los contactos del panel delantero o de la unidad principal.
- Quite la suciedad o sustancias externas solamente con una tela limpia y seca.



- No exponga el panel delantero a temperaturas extremas o al sol.
- Mantenga agentes volátiles tales como bencina, solvente o insecticidas lejos del panel delantero.
- No desarme el panel delantero.
- Cuando lleve el panel delantero con usted, por favor utilice la caja suministrada para protegerlo de daños o suciedades.
- Asegúrese de que no haya polvo o suciedad en las terminales eléctricas de la parte trasera del panel, pues esto puede causar operación intermitente u otro tipo de mal funcionamiento.

INSTRUCCIONES DE OPERACIÓN

① Botón de Encendido / Apagado

Presione el botón **POWER** (1) para encender o apagar la unidad cuando la ignición del vehículo esté en marcha. Cuando la unidad está apagada, automáticamente aparece el reloj en el Panel de Cristal Líquido (LCD por sus siglas en inglés), a menos que la ignición esté apagada. Si el radio está apagado cuando la ignición se apaga, deberá presionar el botón **POWER** para encender el radio cuando vuelva a encender la ignición. Si el radio está encendido cuando la ignición se apaga, el radio se encenderá automáticamente cuando se encienda nuevamente la ignición.

② Panel con Pantalla de Cristal Líquido

El panel con Pantalla de Cristal Líquido (LCD) muestra la frecuencia, hora y todas las funciones en uso, incluyendo un gráfico de 5 barras que representa el nivel de señal.

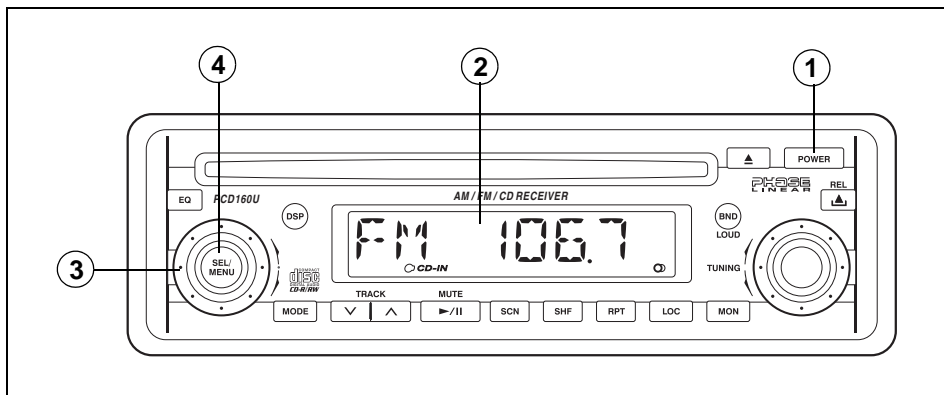
NOTA: Es una característica de los paneles LCD que al ser sometidos a bajas temperaturas por periodos de tiempo prolongados, pueden necesitar más tiempo para iluminarse que bajo condiciones normales. Además, puede bajar levemente la visibilidad de los números en el LCD. La visibilidad del LCD retornará a la normalidad cuando la temperatura dentro del vehículo suba a un rango normal.

③ Control de Volumen

Para incrementar o disminuir el nivel de volumen, gire el control de volumen (**MULTI/JOG**, 3) que rodea el botón **SEL/MENU** (4). El volumen incrementará y el nivel aparecerá en la pantalla del panel desde un mínimo de "VOL 0" a un máximo de "VOL 46". La pantalla volverá automáticamente a lo que exhibe normalmente luego de 5 segundos del último ajuste de volumen o cuando se active otra función. Este botón también se utiliza en conjunto con el botón **SEL/MENU** para ajustar los niveles de sonidos graves ("BAS"), agudos ("TRE"), balance izquierdo-derecho ("BAL") y balance delantero-trasero ("FAD").

④ Botón de Selección (SEL/MENU)

Este botón de **SEL/MENU** (4) se utiliza para seleccionar la función de audio (volumen, bajos, agudos, balance delantero-trasero e izquierdo-derecho) que se ajustará utilizando el control de volumen. Presione el botón **SEL/MENU** una vez para ajustar el nivel de volumen en la unidad (aparecerá momentáneamente en pantalla "VOL" y el número seleccionado). Presione sucesivamente este botón para seleccionar niveles graves ("BAS" aparecerá en pantalla), agudos ("TRE"), balance izquierdo-derecho ("BAL"), balance delantero-trasero ("FAD") y volumen ("VOL") nuevamente. La pantalla volverá a lo que exhibe normalmente luego de 5 segundos del último ajuste de volumen o cuando se active otra función.



INSTRUCCIONES DE OPERACIÓN

④ Control de Graves

Para ajustar el nivel de graves, presione el botón **SEL/MENU** (4) hasta que "BAS" aparezca en la pantalla del panel. Dentro de los cinco segundos, rote el control de volumen (**MULTI/JOG**, 3) para ajustar los sonidos graves desde "BAS -6" a "BAS 06". "BAS 00" representa un sonido neutro.

④ Control de Agudos

Para ajustar el nivel de agudos, presione el botón **SEL/MENU** (4) hasta que "TRE" aparezca en la pantalla del panel. Dentro de los cinco segundos, rote el control de volumen (**MULTI/JOG**, 3) para ajustar los sonidos agudos desde un mínimo de "TRE -6" hasta un máximo de "TRE 06". "TRE 00" representa un sonido neutro.

④ Control de Balance Izquierdo-Derecho

Para ajustar el balance izquierdo-derecho, presione el botón **SEL/MENU** (4) hasta que "BAL" aparezca en la pantalla del panel. Dentro de los cinco segundos, rote el control de volumen (**MULTI/JOG**, 3) para ajustar el balance entre los altavoces izquierdo y derecho desde "BAL 12L" (completamente a la izquierda) hasta "BAL 12R" (completamente a la derecha). "BAL L=R" representa un balance equilibrado entre los altavoces derecho e izquierdo.

④ Control de Balance Delantero/Trasero

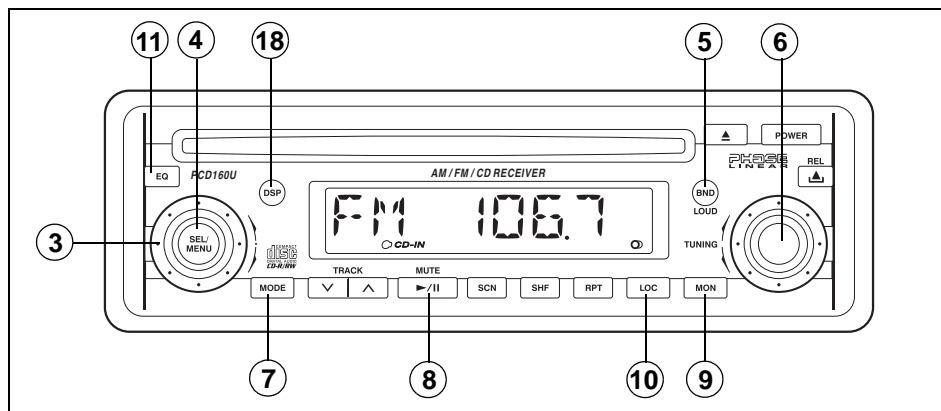
Para ajustar el balance delantero-trasero, presione el botón **SEL/MENU** (4) hasta que "FAD" aparezca en la pantalla del panel. Dentro de los cinco segundos, rote el control de volumen (**MULTI/JOG**, 3) para ajustar el balance entre los altavoces delantero y trasero desde "FAD 12F" (completamente adelante) hasta "FAD 12R" (completamente atrás). "FAD R=F" representa un balance equilibrado entre los altavoces delanteros y traseros.

⑤ Selector de Banda AM/FM (BND)

Durante la operación del radio, cada vez que se presione el botón **BND** (5), la banda del radio cambia. La indicación de "AM" o "FM" aparece en la pantalla de acuerdo a su selección.

⑤ Control de Sonoridad (BND)

Cuando escuche música en volumen bajo, esta función potenciará los rangos graves y agudos para compensar y adecuarse a las características del oído humano. Presione y mantenga el botón **BND** (5) para activar esta función indicada en la pantalla por "LOUD ON". Presione nuevamente el botón **BND** para desactivar esta función y "LOUD OFF" aparecerá en pantalla.



INSTRUCCIONES DE OPERACIÓN

6 Control de Sintonía Manual

Gire el control de sintonía manual (**TUNING**, 6) en el sentido de las agujas de reloj para sintonizar frecuencias ascendentes en la banda y hacia el lado opuesto para sintonizar frecuencias descendentes en la banda. La frecuencia en la que se sintoniza aparecerá en forma digital en la pantalla. Cuando sintonice una estación, siempre ajuste el control hasta ver en pantalla la frecuencia de transmisión correcta y recibir una señal clara. Si el radio está sintonizado fuera de frecuencia, usted puede experimentar audio distorsionado, ruido y otros problemas de recepción.

7 Botón de Modo (MODE)

El botón **MODE** (7) permite seleccionar entre reproducción de radio o disco. Cuando se esté reproduciendo un CD, el presionar este botón volverá el equipo a recepción de radio.

8 Audio Mudo (MUTE)

Este botón se utiliza para enmudecer el volumen del sistema. Presionando el botón **MUTE** (8), una indicación de "MUTE" aparecerá en pantalla y el sonido enmudecerá. Al presionar el botón **MUTE** nuevamente, o presionando los botones de Control de Volumen (**MULTI/JOG**, 3) o **SEL/MENU** (4) volverá al nivel de volumen en uso antes de que se active la función de audio mudo.

9 Selección de FM Mono (MON)

Durante la operación de radio FM, presione el botón **MON** (9) para seleccionar recepción monoaural o estéreo de la señal de transmisión. Bajo condiciones normales de recepción, la unidad se debe dejar en modo estéreo, indicado en pantalla por el icono "ST" cuando se sintoniza una señal de estéreo FM. Si la señal estéreo es muy ruidosa, para lograr un sonido cómodo presione el botón **MON** y así cambiará a recepción monoaural. Para volver a modo de recepción en estéreo, presione el botón nuevamente de manejar a tal que aparezca nuevamente la indicación "ST".

10 Botón Local (LOC)

Durante la operación del radio, las señales recibidas están usualmente en modo estéreo indicadas por el icono "ST"; sin embargo, cuando las señales son débiles o intermitentes puede ser útil activar el modo Local presionando el botón **LOC** (10). "LOC" aparece en pantalla. Este modo favorece el acceso a estaciones locales cuyas señales sean más fuertes, mejorando en consecuencia la recepción del radio. Presione el botón **LOC** nuevamente para finalizar el modo de recepción local ("LOC" desaparece de pantalla).

11 Selector de Ecualizador (EQ)

El botón de ecualización (**EQ**, 11) aplica efectos de sonido preseleccionados a la señal de salida de audio de la unidad. Cuando es presionado, se

activa uno de los siguientes modos: "FLAT" (plano), "CLASSICS" (clásicos), "POP M" (pop), "ROCK M" (rock) o "DSP OFF". Cuando la función de Ecualización está activada, los niveles graves y agudos se pueden cambiar y acomodar al oído del usuario. Cuando la función de ecualización (EQ) no está activada, la unidad va a retornar a los niveles graves y agudos seleccionados por el usuario.

18 Selector de Visualización (DSP)

Esta unidad puede exhibir por un lado el reloj o por otro la frecuencia del radio o las funciones de reproducción de CD. Generalmente se exhibe la frecuencia del radio o la indicación de la pista del CD, pero la unidad mostrará la hora cuando se presione el botón **DSP** (18). La hora se exhibirá por 5 segundos aproximadamente, luego volverá a visualizarse el radio o la reproducción del CD. Se puede poner la hora correcta presionando y manteniendo el botón **DSP**.

Poniendo en Hora el Reloj

1. Encienda la ignición del vehículo y el radio.
2. Presione y mantenga el botón **DSP** (18) hasta que la hora destelle en pantalla.
3. Dentro de los 5 segundos, gire el control de volumen (**MULTI/JOG**, 3) hacia la dirección de las agujas del reloj para ajustar los minutos como sea necesario.
4. Gire el control de volumen en dirección contraria a las agujas del reloj para ajustar la hora y la indicación "AM"/"FM" como sea necesario.

FUNCIONAMIENTO DEL LECTOR DE CD

12 Ranura Para Disco

Con la faz del sello hacia arriba, inserte completamente un disco compacto dentro de la ranura hasta que el mecanismo lo enganche y jale hacia adentro. El símbolo "CD-IN" aparecerá en pantalla y la reproducción comenzará desde la primera pista del disco, también aparecerá el tiempo transcurrido de reproducción de esa pista.

NOTA: La unidad está diseñada para pasar discos compactos estándar de 5" solamente (12 cm.). No intente utilizar CD simples de 3" (8 cm.) en esta unidad, con o sin adaptador, pues puede causar daños en el equipo y/o en el disco. Tales daños no serán cubiertos por la garantía de este producto.

8 Selector de Ejecución CD/ Pausa

Durante la ejecución de un CD, el presionar este botón ►/|| (8) detendrá el disco. Cuando esto suceda, el símbolo de disco destellará y se suspenderá su ejecución. Cuando se presione nuevamente, la ejecución reiniciará desde el punto en el cual el disco se detuvo y continuará hasta que todas las pistas en el disco se hayan reproducido, luego de lo cual la reproducción se detendrá automáticamente (a menos que el modo de repetición haya sido seleccionado).

13 Selector de Pistas Hacia Adelante

Durante la reproducción, el botón de adelante de pistas TRACK ^ (13) sirve para seleccionar rápidamente el inicio de una pista en particular que se encuentre más adelante. Cada vez que presione el botón, el número de la próxima pista será seleccionado como se muestra en pantalla.

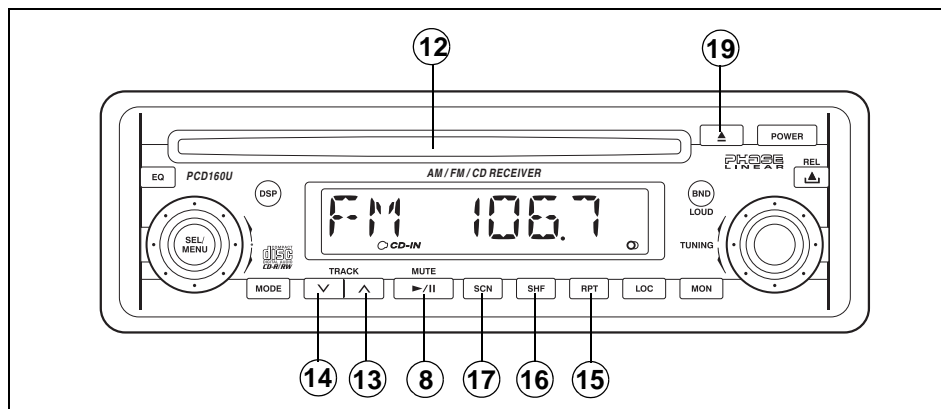
14 Selector de Pistas Hacia Atrás

Durante la reproducción, el botón de pistas hacia atrás TRACK v (14) sirve para seleccionar rápidamente el inicio de una pista en particular que se encuentre más atrás. Cada vez que presione el

botón, el número de la pista anterior será seleccionado como se muestra en pantalla.

13, 14 Funciones de Avance y Retroceso Rápido

Se puede realizar una búsqueda audible de alta velocidad en cualquier sección del disco con la función de Avance y Retroceso. Presione y mantenga el botón de pista hacia adelante TRACK ^ (13) para adelantar rápidamente (el símbolo de reproducción de disco rotará hacia adelante en la pantalla) o el botón de pista hacia atrás TRACK v (14) para ir rápidamente en dirección reversa (el símbolo de disco rotará hacia atrás en la pantalla).



FUNCIONAMIENTO DEL LECTOR DE CD

15 Selector de Reproducción con Repetición (RPT)

Durante la reproducción de un disco, al presionar el botón **RPT** (15) se seleccionará el modo de ejecución en forma repetida de pistas. Para repetir la ejecución de una pista deseada, presione el botón una vez; "S-RPT" aparece en pantalla seguido del número de pista actual. La ejecución de la pista seleccionada continuará repitiéndose hasta que esta función sea cancelada presionando nuevamente el botón o activando las funciones de Escaneo de Introducciones o Selección Aleatoria, de modo tal que "RPT" desaparezca de pantalla.

16 Selector de Modo de Reproducción Aleatoria (SHF)

Durante la reproducción de un disco, al presionar el botón **SHF** (16) por 2 segundos se reproducirán las pistas del disco en orden aleatorio o desordenado ("S - SHF" aparecerá en pantalla seguido por el número de pista en uso). En modo de Reproducción Aleatoria, al presionar el botón de pista hacia adelante **TRACK** también se seleccionarán pistas en orden aleatorio en vez de una progresión normal. Presionando el botón de pistas hacia atrás **TRACK** también seleccionará pistas en

orden aleatorio. Para cancelar esta función, presione el botón **SHF** por 2 segundos.

17 Selector de Exploración de Pista (SCN)

Durante la reproducción de un disco, presione el botón 2 de exploración (**SCN**, 17) para reproducir los primeros 10 segundos de cada pista ("S-SCN" y el número de pista aparecerán en pantalla). Cuando se alcance la pista deseada, presione el botón de exploración nuevamente para cancelar la función y reproducir la pista seleccionada.

19 Botón de Expulsión de Disco

Presione le botón de expulsión ▲ (19) para detener la reproducción y expulsar el disco. La unidad volverá a reproducción de radio. Los discos pueden ser expulsados con la ignición del vehículo encendida o apagada. Si un disco expulsado no se quita de la ranura dentro de los 10 segundos de ser expulsado, el disco se insertará automáticamente y el símbolo de disco reaparecerá en pantalla para mostrar que aún hay un disco dentro de la unidad.

NOTA: Para prevenir el daño accidental de un disco, siempre quítelo de la unidad cuando se finalice la reproducción del mismo.

OPERACIÓN DEL EQUIPO DE MP3 (PMP180U)

Esta sección tiene aplicación solamente para el PMP180U.

Las instrucciones para Insertar/Expulsar, Ejecutar/Detener, Selección de Pista, Avance y Retroceso, Escaneo, Repetición y Reproducción Aleatoria son las mismas para CD y MP3. Por favor, vea la sección Operación de Equipo de CD para obtener información sobre estos temas.

Luego de insertar un disco MP3, "MP3 T" y el número de pista aparecen momentáneamente en pantalla, seguidos por la Etiqueta Identificatoria (si el equipo tiene esta función). Luego de estas indicaciones iniciales, el número de pista y nombre de la canción aparecen alternativamente, con el nombre de la canción desplazándose por la pantalla de derecha a izquierda.

Información en Pantalla

Presione **DSP** (18) para mostrar la etiqueta ID3 si está disponible. La etiqueta identificatoria contiene el nombre de la canción, artista, álbum, año y/o comentarios. Si no hay etiquetas identificatorias disponibles, "-NO ID3" aparecerá en la pantalla siguiendo los comentarios.

Acceso Directo a Canción/Archivo

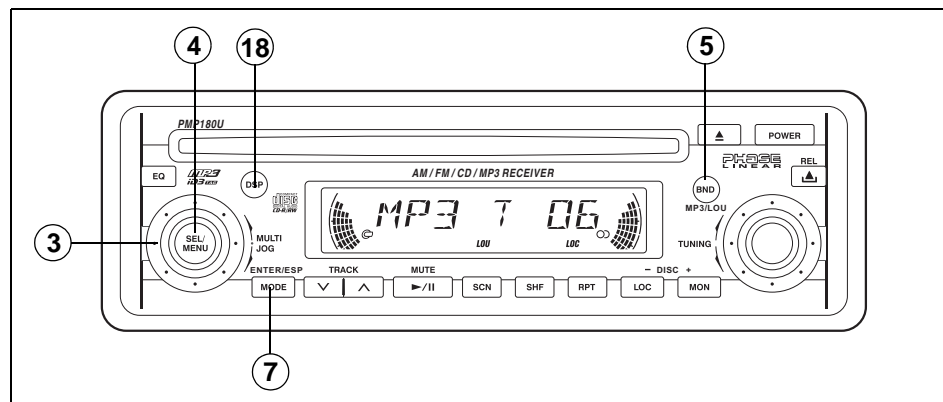
Presione el botón **BND** (5) para habilitar la búsqueda directa de pistas. Utilice el control **MULTI/JOG** (3) para seleccionar la canción o archivo deseado. Presione el botón **MODE/ENTER/ESP** (7) para reproducir la canción o archivo seleccionado. Si usted presiona nada, luego de tres segundos, la unidad buscará y reproducirá la canción o archivo.

Búsqueda por Nombre

1. Presione el botón **BND** (5) dos veces para habilitar la búsqueda por directorio o por nombre de archivo.
2. Utilice el control **MULTI/JOG** (3) para seleccionar los caracteres "A-Z, _ , - , + , y 0-9."
3. Presione el botón **SEL/MENU** (4) para confirmar la entrada de cada carácter.
4. Presione le botón **MODE/ENTER/ESP** (7) para iniciar la búsqueda. Si lo seleccionado es un nombre de directorio, " ` ` " aparecerá en pantalla.
5. Utilice el control **MULTI/JOG** (3) para seleccionar la canción o archivo en el directorio o carpeta.
6. Presione **BND** (5) para reproducir la canción o archivo seleccionado.

Búsqueda en el Directorio Raíz

1. Presione el botón **BND** (5) tres veces.
2. Utilice el control **MULTI/JOG** (3) para seleccionar el directorio o archivo deseado. Si se presenta un directorio, "D-DIR" aparecerá en pantalla.
3. Presione le botón **MODE/ENTER/ESP** (7) para acceder al directorio. Aparecerá en pantalla " ` ` " indicando que se ha seleccionado un directorio para la búsqueda.
4. Utilice el control **MULTI/JOG** (3) para seleccionar la canción o archivo.
5. Presione el botón **BND** (5) para reproducir su selección.



CONTROLES DEL CAMBIADOR DE CD (PMP180U)

Esta sección tiene aplicación solamente para el PMP180U.

Dentro del PMP180U se encuentran los controles para operar un cambiador de CD opcional. Por favor, verifique con su especialista de estéreo de autos Phase Linear/ Audiovox o llame al 1-800-323-4815 para obtener recomendaciones sobre modelos que funcionen con este radio.

Las funciones de ajuste de audio (volumen, tono y balances) y de CD (Pausa/ Reproducción, SCN, SHF, RPT y TRACK), operan para el cambiador de CD de la misma manera que lo hacen para el radio. Por favor, lea las secciones Operación y Operación de Reproductor de CD para obtener información sobre estos temas.

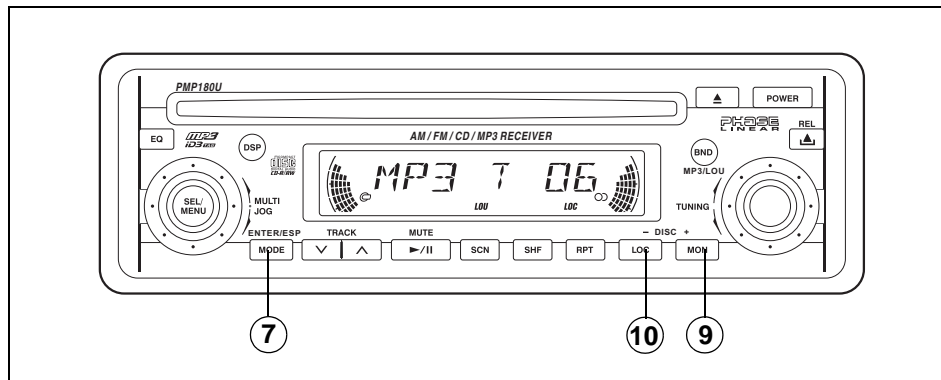
Los siguientes controles operarán el cambiador de CD cuando esté instalado y conectado a este radio. Diríjase al manual del propietario incluido en el cambiador de CD para obtener instrucciones sobre su instalación, y correcta carga y uso del compartimento de discos compactos.

⑦ Selector de Modo del Cambiador de CD (MODE)

Presione el botón de modo **MODE** (7) para seleccionar operar el cambiador de CD. "CDC" aparecerá en pantalla. La ejecución del disco comenzará y aparecerán en pantalla el disco y el número de pista. Si se ha realizado una nueva carga del compartimento para discos compactos, la reproducción comenzará desde la primera pista del primer disco en el compartimento. Si el compartimento ya estaba en el cambiador, la reproducción se reanudará desde la pista del disco que estaba previamente en uso.

⑨, ⑩ Selección de Disco (DISC + / DISC -)

Los botones de **DISC +/-** (9 y 10) se utilizan para seleccionar el disco que se desea reproducir. Para avanzar a un disco con un número más alto, presione el botón **DISC +** (9). Para volver a un disco con un número más bajo, presione el botón **DISC -** (10). El número de disco en ejecución aparecerá en pantalla.



CUIDADOS Y MANTENIMIENTO

Su nuevo reproductor de radio/CD no requiere mantenimiento. Sin embargo, el entender cómo se lo utiliza y mantiene adecuadamente le ayudará a sacar el máximo provecho de sus capacidades. Recomendamos que conserve este manual para utilizarlo como referencia sobre las funciones de esta unidad así como también la manera en poner en hora el reloj. Se deben respetar los siguientes puntos:

- Cuando limpie el interior del vehículo, no utilice agua o líquidos de limpieza sobre la unidad.
- El reproductor de CD es un instrumento de precisión y no funcionará adecuadamente bajo calor o frío extremos. Si tales condiciones se dan, espere hasta que el interior del vehículo alcance una temperatura normal antes de utilizar el reproductor.
- Si la temperatura dentro del reproductor llega a ser muy caliente, un circuito de protección automáticamente detendrá la ejecución del disco. En este caso, deje que la unidad se enfríe antes de utilizar nuevamente el reproductor.
- Nunca inserte nada que no sea un disco compacto de 5" (12 cm) dentro del reproductor, pues el mecanismo puede ser dañado por objetos extraños.
- No intente utilizar un CD simple de 3" (8 cm.) en esta unidad, con o sin adaptador, pues puede causar daños en el equipo y/o

en el disco. Tales daños no serán cubiertos por la garantía de este producto.

- Cuando no utilice el reproductor, quite el disco compacto. Nunca deje un disco expulsado en la ranura de discos, pues quedaría expuesto a luz solar y a otros posibles daños.
- No intente abrir el chasis de la unidad. No hay partes aprovechables por el usuario o puntos para ajustar por adentro.
- Cuando el vehículo se calienta durante clima frío o bajo condiciones de humedad, puede aparecer condensación en los lentes del reproductor de discos. Si esto ocurre, el reproductor no operará apropiadamente hasta que la humedad se haya evaporado.
- La unidad posee un mecanismo de amortiguación de vibraciones para minimizar la interrupción de la ejecución del disco debido a la vibración normal de un vehículo en movimiento. Sin embargo, cuando esté conduciendo en caminos en malas condiciones, es posible que algunos sonidos se escapen. Esto no rayará o dañará el disco y cuando las malas condiciones del camino cesen, volverá a sonar el disco normalmente.

Manipulando Discos Compactos

Suciedad, polvo, rayas o combas pueden causar saltos en la reproducción y deterioro de la calidad del sonido. Por favor, siga estos

lineamientos para cuidar de sus discos compactos:

- Con cuidado limpie con un paño suave huellas digitales, polvo y suciedad de las superficies del disco. Realice un movimiento recto desde el centro al exterior del disco.
- Nunca utilice químicos tales como vaporizadores para discos o limpiadores del hogar para limpiar CD, pues pueden dañar la superficie del disco irreparablemente.
- Los discos se deben guardar en sus cajas cuando no están en uso.
- No exponga discos a la luz directa del sol, a altas temperaturas o a condiciones de alta humedad por periodos prolongados.
- No pegue papel, cinta o etiquetas en las superficies de los discos.

BOTÓN DE REINICIAR (RESET)

Un botón para reiniciar se encuentra detrás de la cubierta, en el lado izquierdo (el panel delantero se debe quitar para acceder al botón). La función de Reinicio (reset) se provee para proteger el circuito del microprocesador. Debido a que activarla borrará la hora y las memorias configuradas previamente, solamente se debe utilizar bajo las siguientes circunstancias: Luego de la instalación inicial, después de que todo el cableado se haya realizado; Si hay un mal funcionamiento de cualquiera de los interruptores de la unidad. El presionar el botón de Reinicio puede limpiar el sistema y regresarlo a un funcionamiento normal.

ESPECIFICACIONES

Dependiendo del tipo de medio y método de grabación, algunos CD-R/RW pueden ser incompatibles con esta unidad. Luego de grabar el CD, **se debe cerrar la sesión**. Por favor, siga los procedimientos recomendados por su programa de grabación para cerrar un disco. Revise su programa de grabación para familiarizarse con los procedimientos correctos de grabación de CD. Recomendamos utilizar las últimas versiones de los programas para grabar discos compactos ROXIO™ o NERO™.

PCD160U

Además, esta unidad solamente reconocerá el formato **CDDA (Audio Digital de Disco Compacto)** grabado en un CD-R/RW. Esta unidad no lee .MP3, .WMA, .WAV, .OGG u otros formatos. El formato CDDA es un formato estándar de un CD "original comprado en una tienda". Cuando grabe un CD-R/RW, asegúrese de seleccionar el formato CDDA.

PMP180U

Esta unidad solamente reconocerá los formatos **CDDA (Audio Digital de Disco Compacto)** y **.MP3 grabados en un CD-R/RW**. Esta unidad no lee .WMA, .WAV, .OGG u otros formatos.

Especificaciones Técnicas



Categorías de Energía CEA

Salida de Energía: Canales 13 watts RMS X4 en 4-ohms en < 1% THD+N
 Señal a Coeficiente de Ruido: 70dBA bajo referencia. (Referencia: 1 watt, 4-ohms)
 Frecuencia de Respuesta 20Hz a 20kHz, -3dB
 Voltaje de Suministro de Referencia: 14.4VDC

Reproductor de CD

Señal a Coeficiente de Ruido: >75dBA
 Frecuencia de Respuesta 20Hz a 18kHz, -3dB
 Separación de Canal: > 55dB en 1kHz
 Convertidor D/A: 1Bit/Ch

Sintonizador FM

Rango de Sintonía: 87.5MHz - 107.9MHz
 Sensibilidad Monoaural: 18dBf
 Sensibilidad de Silenciamiento Estéreo de 50dB: 20dBf
 Separación de Estéreo en 1kHz >30dB

Frecuencia de Respuesta 30Hz a 12kHz, -3dB

Sintonizador AM

Rango de Sintonía: 530kHz -1710kHz
 Sensibilidad en 20dB Señal a Ruido: 30uV
 Frecuencia de Respuesta 30Hz-2kHz, -3dB

General

Alimentación: 11 a 16VDC, negativo a tierra
 Fusibles: Batería - 15 amp/AGC, Ignición/
 Accesorio - 0.5 amp/AGC
 Arnés de conexión rápida de pin 4 + 9
 Dimensiones: 7" X 7" X 2" (178mm x 178mm x 51mm)
 Especificaciones sujetas a cambios sin notificación.

Les spécifications peuvent changer sans avis préalable.

GARANTIA LIMITADE DE 3 MESES

AUDIOVOX CORPORATION (la Compañía) garantiza al comprador minorista original del presente producto que en el caso de que este producto o cualquiera de las partes del mismo, bajo circunstancias y condiciones de uso normal, tuviera algún defecto, tanto en el material como en la mano de obra, dentro de un plazo de 3 meses a partir de la fecha de compra original, dicho(s) defecto(s) serán reparados o reemplazados (a criterio de la Compañía) sin cargo alguno por las piezas y la mano de obra para la reparación. Para obtener servicios de reparación o sustitución en virtud de los términos y las condiciones de la presente Garantía, se enviará el producto con la correspondiente constancia de la garantía (es decir, la factura con la fecha de compra), especificando los defectos, con flete prepagado, a algún sitio de servicios bajo garantía autorizado o a la Compañía a la dirección que se indica a continuación.

Esta Garantía no cubre la eliminación de la estática del automóvil ni los ruidos del motor, la corrección de los problemas de antena, los gastos incurridos para la remoción o la reinstalación del producto, o los daños provocados a las cintas, los discos compactos, los accesorios o los sistemas eléctricos del vehículo. Esta Garantía no se aplica a aquellos productos, o partes de los mismos, que según opinión de la Compañía, hayan sufrido algún daño o fue dañado como consecuencia de alguna alteración, instalación incorrecta, maltrato, uso indebido, negligencia, accidente o por la

eliminación o mutilación de las etiquetas correspondientes al número de serie y código de barras de la fábrica. LA RESPONSABILIDAD QUE LA COMPAÑÍA ASUME EN VIRTUD DE LA PRESENTE GARANTIA SE LIMITA A LA REPARACION O LA SUSTITUCION QUE SE MENCIONAN ANTES Y, BAJO NINGUNA CIRCUNSTANCIA, LA RESPONSABILIDAD DE LA COMPAÑÍA HABRA DE EXCEDER EL PRECIO DE COMPRA QUE EL COMPRADOR PAGO POR EL PRODUCTO.

Esta Garantía reemplaza a toda otra garantía expresa o implícita. TODA GARANTIA IMPLICITA, INCLUYENDO AQUELLAS GARANTIAS IMPLICITAS DE BUENA CALIDAD Y COMERCIALIZABILIDAD, ESTARA LIMITADA A LA DURACION DE ESTA GARANTIA ESCRITA. CUALQUIER TIPO DE DEMANDA JUDICIAL POR INCUMPLIMIENTO DE ALGUNAS DE LAS CONDICIONES DE LA GARANTIA ESPECIFICADA EN EL PRESENTE, INCLUIDA CUALQUIER GARANTIA IMPLICITA DE BUENA CALIDAD Y COMERCIALIZABILIDAD, DEBERA PRESENTARSE EN EL PLAZO DE 30 MESES A PARTIR DE LA FECHA DE LA COMPRA ORIGINAL. DE NINGUN MODO LA COMPAÑÍA TENDRA RESPONSABILIDAD ALGUNA POR CUALQUIER DAÑO O PERJUICIO INDIRECTO O INCIDENTAL OCASIONADO POR EL INCUMPLIMIENTO DE LA PRESENTE GARANTIA, O DE CUALQUIER OTRA GARANTIA EXPRESA O IMPLICITA. Ninguna

persona ni representante está autorizada a asumir responsabilidad alguna en nombre de la Compañía, excepto por lo expresado en la presente garantía, en relación con la venta de este producto.

Algunos estados no permiten limitaciones respecto de la duración de una garantía implícita o la exclusión o limitación de los daños indirectos incidentales, por lo tanto, es posible que las limitaciones antes citadas no correspondan en su caso. La presente Garantía le otorga derechos especiales y usted puede gozar de otros derechos que varían de un estado a otro.

U.S.A : Audiovox Corporation, 150 Marcus Blvd., Hauppauge, NY 11788, 1-800-323-4815

CANADA: Llamar a 1-800-323-4815 para la ubicación de la estación que le proporciona servicio de garantía.

Audiovox Electronics Corporation
150 Marcus Boulevard
Hauppauge, NY 11788
1-800-323-4815
www.audiovox.com

©2005 Audiovox
v.011505

PCD160U/PMP180U

Manual de L'Utilisateur

For instructions in English, refer to page 2.

Para obtener instrucciones en Español, diríjase a la página 16.

PRÉPARATION

Mise en Marche

C'est une bonne idée de lire toutes les instructions avant de commencer l'installation.

Table des Matières

Instructions d'Installation	35
Câblage	37
Installation de la Dalle Amovible	38
Instructions d'Operation	39
Opération de la Platine CD.....	42
Operation de Platine MP3 (PMP180U) ...	44
Des Controles Changeur CD (PMP180U)45	
Soin et Entretien.....	46
Specifications	47
Garantie Limitée de 3 Mois	48

Exigences d'Installation

Cet appareil est destiné à être installé dans des voitures, des camions et des camionnettes avec une ouverture radio existante. Dans bien des cas, une trousse d'installation spéciale sera exigée pour monter la radio sur le tableau de bord. Ces trousse sont disponibles dans des magasins de fournitures électroniques et des boutiques qui spécialisent dans des stéréos voitures. Vérifiez toujours l'application de la trousse avant de l'acheter pour assurer que la

trousse est compatible avec votre véhicule. Si vous avez besoin d'une trousse et ne pouvez pas en trouver une, veuillez prendre contact avec notre soutien client à 1-800-645-4994 (Etats-Unis et Canada seulement).

Outils et Matériel

Vous aurez besoin des outils et du matériel suivants pour installer la radio :

- Type Torx des tournevis plat et Philips
- Des coupeurs de fil et séparateurs d'épuisement
- Outils pour enlever la radio existante (tournevis, un ensemble de clés à douille et d'autres outils)
- Bande électrique
- Outil à sertissage
- Voltmètre/lumière d'épreuve
- Connexions à sertissage
- Fer jauge 18 pour branchage puissance, fer jauge 16 – 18 de haut parleur

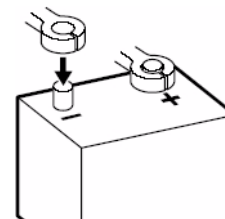
Pour les Haut Parleurs

Ne connectez que les haut parleurs qui sont évalués pour une impédance de charge de 4 ohms. Des hauts parleurs avec une impédance

de charge de moins de 4 ohms peuvent nuire à l'appareil.

Débrancher la Batterie

Il faut toujours débrancher la borne de batterie négative avant de commencer.



Aide d'Installation Gratuite

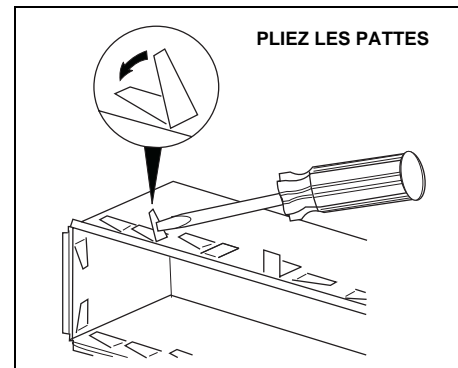
Si vous avez besoin d'aide, prenez contact avec Soutien Technique à 1-800-323-4815 de 8H30 à 19H EST lundi jusqu'à vendredi, et de 9H à 17H EST le samedi (Etats-Unis et Canada seulement).

INSTRUCTIONS D'INSTALLATION

Installation en Utilisant un Manchon de Montage

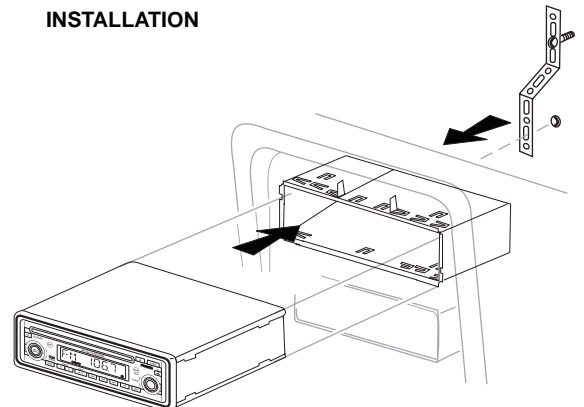
1. Glissez le manchon de montage du châssis. S'il est verrouillé, utilisez les outils d'enlèvement (fournis) pour le désengager.
2. Vérifiez la taille d'ouverture sur le tableau de bord en glissant dedans le manchon de montage. Si l'ouverture n'est pas assez grande, coupez ou nivelez à la lime comme il faut jusqu'à ce que le manchon glisse facilement dans l'ouverture. Ne forcez pas le manchon dans l'ouverture ou faire en sorte qu'il se plie ou se tord. Vérifiez qu'il y a suffisamment de place derrière le tableau de bord pour le châssis de la radio.
3. Trouvez une série de languettes de courbure sur le dessus, le dessous et les côtés du manchon de montage. Avec le manchon inséré jusqu'au bout dans l'ouverture du tableau de bord, pliez autant de languettes vers le dehors qu'il faut pour attacher le manchon au tableau de bord d'une manière ferme.
4. Placez la radio devant l'ouverture du tableau de bord pour que le câblage puisse être placé à travers le manchon de montage. Suivez le schéma du câblage et assurez-vous que toutes les connexions sont sûres et isolées avec des serres-fils ou de la bande électrique pour assurer le bon fonctionnement de l'appareil. Après avoir terminé avec les connexions du câblage mettez l'appareil en marche pour confirmer l'opération (le véhicule doit être allumé). Si l'appareil ne fonctionne pas, vérifiez de nouveau tout le câblage jusqu'à ce que le problème soit résolu.

5. Assurez vous que la radio est montée dans le sens correct et puis glissez la radio dans le manchon de montage jusqu'à ce qu'il soit bien fixé et les attaches à ressort la verrouillent bien en place.
6. Attachez un bout de la courroie de soutien perforée (fournie) au goujon d'écrou à l'arrière du châssis en utilisant l'écrou hexagonal fourni. Attachez l'autre bout de la courroie perforée à une partie sûre du tableau de bord soit au-dessus ou au-dessous de la radio en utilisant l'écrou fourni. Pliez la courroie pour le positionner comme il faut.
7. Testez l'opération de la radio en vous référant aux instructions d'opération.



AVERTISSEMENT : La courroie de soutien doit être utilisée pour empêcher qu'il y ait des dégâts au tableau de bord du poids de la radio ou une opération incorrecte à cause de la vibration.

AVERTISSEMENT : Pour une bonne opération de la platine CD le châssis doit être monté dans un angle de 20° de l'horizontal. Assurez vous que l'appareil est monté avec cette limitation.



INSTRUCTIONS D'INSTALLATION

Installation de la Trousse

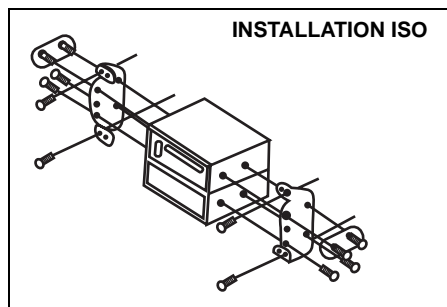
Si votre voiture exige l'usage d'une trousse d'installation pour monter la radio, suivez les instructions qui accompagne la trousse pour attacher la radio au plateau de montage fourni avec la trousse.

1. Câblez et testez la radio en suivant les instructions pour l'installation universelle.
2. Installez l'ensemble radio /plateau de montage à la sous-planche de bord suivant les instructions contenues dans la trousse d'installation.
3. Attachez la lanière de support à la radio et à la planche de bord suivant les instructions pour l'installation universelle.
4. Remplacez le panneau de la planche de bord.

Installation ISO

L'appareil a des trous à visser sur les panneaux de côté du châssis qui peuvent être utilisés avec les supports de montage de l'usine de certains véhicules pour monter la radio sur la planche de bord. Consultez votre magasin de stéréos voiture pour être aidé dans ce type d'installation.

1. Enlevez la radio d'usine existante de la planche de bord ou du console central de montage. Préservez tout le matériel et les



consoles qui seront utilisés pour monter la nouvelle radio.

2. Ouvrez d'un coup sec le cadre plastique du devant du châssis de la nouvelle radio. Enlevez et jetez le cadre.
3. Enlevez les supports de montage et le matériel de la radio existante et attachez-les à la nouvelle radio.

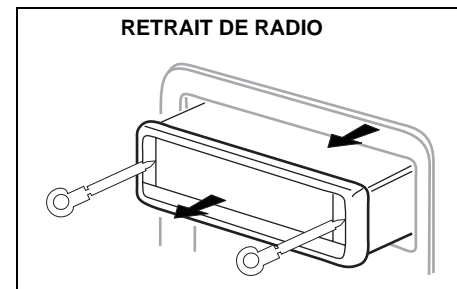
A NOTER : Ne dépassez pas une taille de clou de 5mm x 9mm. Des clous plus longs peuvent nuire aux composants à l'intérieur du châssis.

4. Câblez la nouvelle radio au véhicule en suivant les instructions pour l'installation universelle.

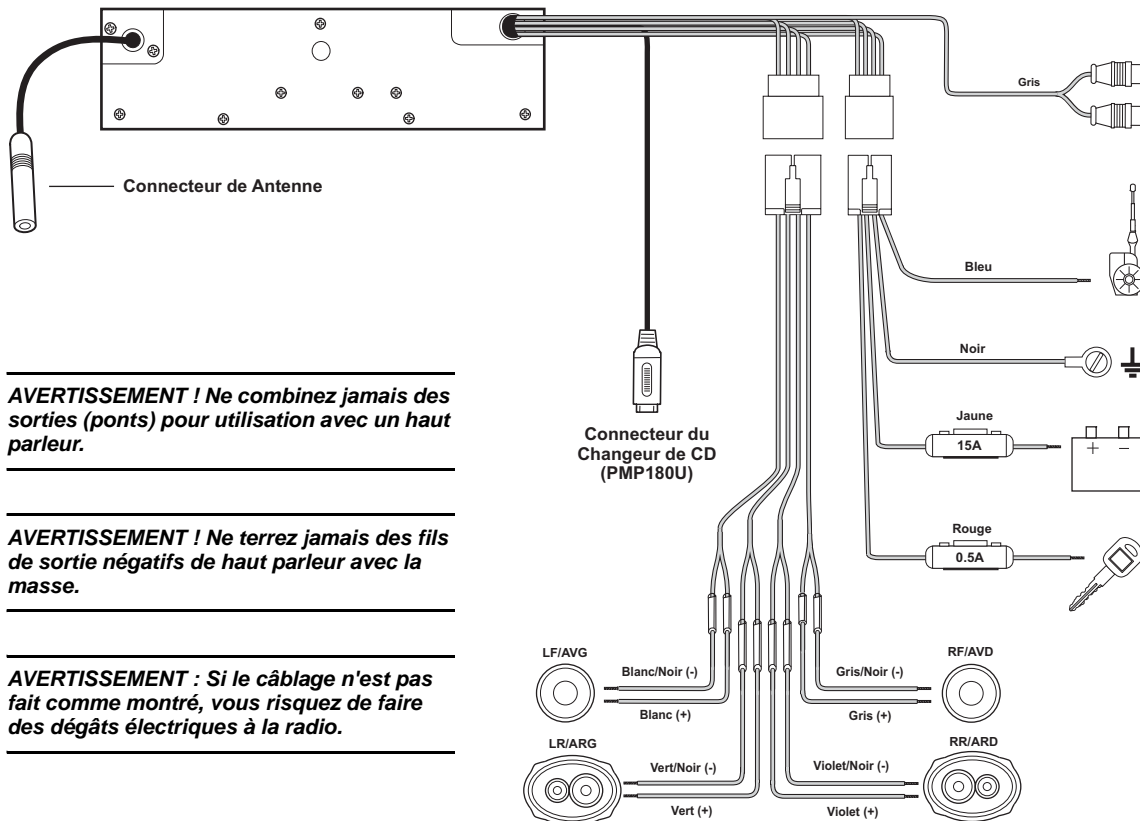
5. Montez l'ensemble de la nouvelle radio à la planche de bord ou au console central en renversant la procédure établie par (1).

Retrait de Radio

Insérez l'outil ou les outils spéciaux. Tirez l'autoradio. Débranchez le faisceau de câbles et enlevez l'autoradio.



CÂBLAGE



AVERTISSEMENT ! Ne combinez jamais des sorties (ponts) pour utilisation avec un haut parleur.

AVERTISSEMENT ! Ne terrez jamais des fils de sortie négatifs de haut parleur avec la masse.

AVERTISSEMENT : Si le câblage n'est pas fait comme montré, vous risquez de faire des dégâts électriques à la radio.

Câblage Amplificateur

Branchez le fil pour un amplificateur externe facultatif. Le fil rouge est pour la droite et le fil blanc pour la gauche.

Antenne motorisée

Branchez à l'antenne motorisée ou à l'amplificateur. S'il n'est pas utilisé, recouvrez l'extrémité dénudée du fil de ruban adhésif.

Mise à la terre

Connectez à la borne de mise à la terre.

Mémoire/Batterie

Connectez à la batterie ou à une source d'alimentation 12 volts toujours sous tension. La radio ne fonctionnera pas si ce fil n'est pas branché.

Accessoires/Allumage

Connectez au fil de la radio existante ou au fusible du radio.

Fusibles

Lors du remplacement d'un fusible, assurez-vous que le fusible de remplacement est du type et de la puissance appropriés. L'utilisation d'un fusible non approprié pourrait endommager la radio.

INSTALLATION DE LA DALLE AMOVIBLE

Installation de la Dalle

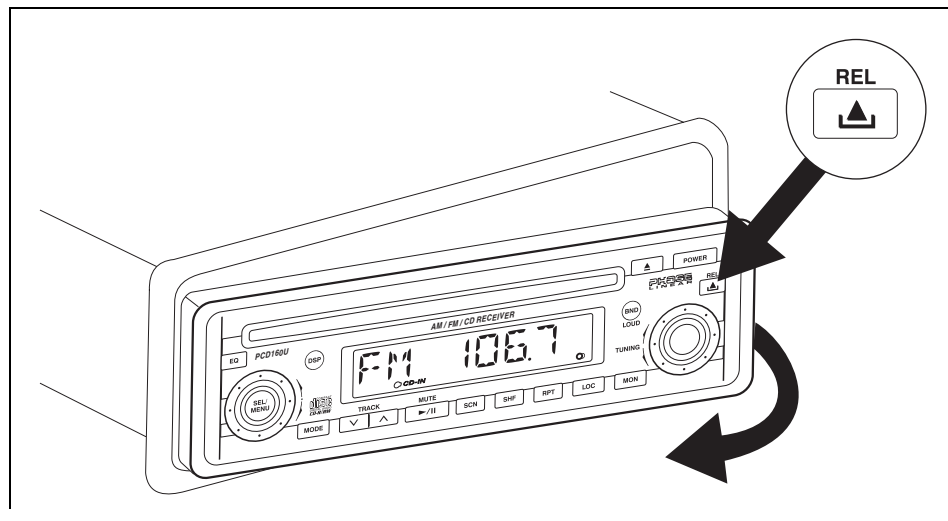
Pour installer la dalle, glissez le bord à gauche du panneau d'avant dans la radio et puis appuyez doucement le bord à droite en place.

Détacher la Dalle

Pour détacher la dalle, appuyez sur le bouton **REL** et tirez doucement le côté droit du panneau d'avant. Pour sauvegarder, stockez le panneau d'avant dans l'étui de protection fourni.

Précautions de Manipulation

- Assurez-vous que le panneau d'avant est posé dans le bon sens lorsque vous l'attachez au châssis comme il ne peut pas être attaché sens dessus, sens dessous.
- N'appuyez pas trop fort sur le panneau d'avant lorsque vous l'attachez au châssis. La pression légère ou modérée suffit.
- Lorsque vous attachez le panneau d'avant, assurez-vous qu'il est centré dans le cadre du châssis et qu'il est pressé tout droit dans sa position.
- Ne laissez pas tomber le panneau d'avant.
- Ne mettez pas de pression sur les boutons de contrôle ou d'affichage lorsque vous manipulez le panneau d'avant.
- Ne touchez pas les bornes électriques sur le panneau d'avant ou l'appareil principal.
- Enlevez des saletés et des substances étrangères avec un torchon propre et sec.



- N'exposez pas le panneau d'avant aux températures extrêmes ou des rayons de soleil direct.
- Gardez les agents volatiles tels que du benzène, des diluants ou des insecticides loin du panneau d'avant.
- Ne démontez pas le panneau d'avant
- Lorsque vous prenez le panneau d'avant avec vous, utilisez l'étui fourni pour

protéger le panneau des saletés et des dégâts.

- Assurez-vous qu'il n'y a pas de poussière ou des saletés sur les bornes électriques à l'arrière du panneau comme cela peut causer des problèmes d'opération ou d'autres formes de mauvais fonctionnement.

INSTRUCTIONS D'OPERATION

① Bouton Puissance en Marche/en Arrêt

Appuyez sur le bouton **POWER** (1) pour mettre l'appareil en marche ou en arrêt lorsque le véhicule est allumé. Lorsque l'appareil est en arrêt, l'horloge est automatiquement affiché sur le panneau d'affichage à cristaux liquides, à moins que le clé de contact est en arrêt. Lorsque la radio est en arrêt quand le clé de contact est en arrêt, il faut appuyer sur le bouton **POWER** pour mettre la radio en marche après avoir allumé le véhicule. Si le clé de contact est mis en arrêt lorsque la radio est en marche, la radio va se mettre en marche automatiquement lorsque le clé de contact est remis en marche.

② Panneau d'Affichage à Cristaux Liquides

Le panneau d'affichage à cristaux liquides affiche la fréquence, le temps et toutes les fonctions activée y compris un graphique à cinq barres qui dépeint le niveau du signalment.

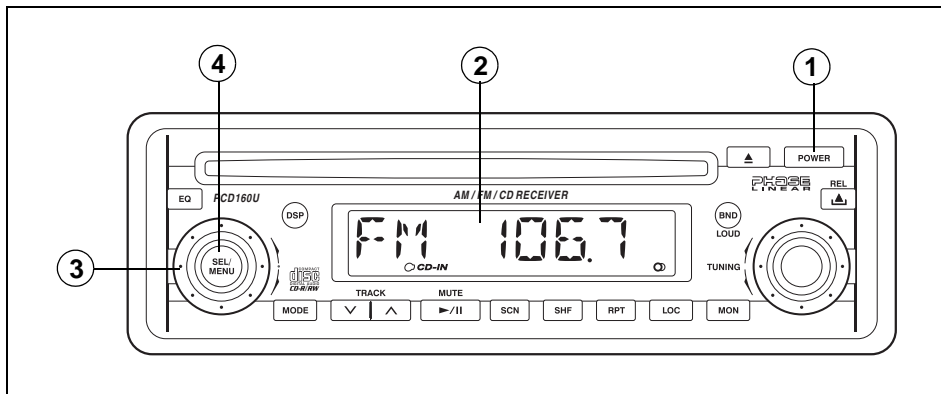
A NOTER : C'est un caractéristique des panneaux d'affichage à cristaux liquides que lorsqu'ils sont exposés à des températures froides pendant des périodes longues, ils peuvent mettre un peu plus longtemps pour s'illuminer que dans des conditions normales. En outre, la visibilité des numéros sur le panneau d'affichage à cristaux liquides peut diminuer. La lecture du panneau d'affichage à cristaux liquides va revenir au normal lorsque les températures à l'intérieur du véhicule augmentent jusqu'au niveau normal.

③ Contrôle du Volume

Pour augmenter ou diminuer le niveau du volume tourner le contrôle volume (**MULTI/JOG**, 3) qui entoure le bouton **SEL/MENU** (4). Le volume augmentera et le niveau sera affiché sur le panneau d'affichage d'un minimum de VOL 0 jusqu'au maximum de VOL 46. L'affichage reviendra automatiquement au normal dans 5 secondes, après le dernier ajustement du volume ou lorsqu'une autre fonction est activée. Ce bouton est aussi utilisé en conjonction avec le bouton **SEL/MENU** pour ajuster les niveaux basse, aigu, égaliseur et équilibre.

④ Bouton de Sélection (SEL/MENU)

Ce bouton **SEL/MENU** (4) est utilisé pour sélectionner la fonction audio (volume, basse, aigu, égaliseur et équilibre) à être ajusté en utilisant le contrôle volume (**MULTI/JOG**, 3). Appuyez sur le bouton **SEL/MENU** une fois pour régler l'appareil pour ajustement du volume (VOL) et le numéro de réglage va apparaître momentanément sur le panneau d'affichage). Appuyez sur le bouton de nouveau en nouveau pour sélectionner la basse (BAS sur le panneau d'affichage), l'aigu (TRE), l'égaliseur (BAL) et équilibreur (FAD) et volume (VOL). L'affichage reviendra au normal dans 5 secondes après le dernier ajustement ou lorsqu'une autre fonction est activée.



INSTRUCTIONS D'OPERATION

④ Contrôle de Basse

Pour ajuster le niveau de basse, appuyez sur le bouton **SEL/MENU** (4) jusqu'à ce que le mot **BAS** apparaisse sur le panneau d'affichage. Dans 5 secondes, faites tourner le contrôle du volume (**MULTI/JOG**, 3) pour ajuster le basse de **BAS 6** à **BAS 06**. **BAS 00** représente une réponse plate.

④ Contrôle de Aigu

Pour ajuster le niveau d'aigu, appuyez sur le bouton **SEL/MENU** (4) jusqu'à ce que **TRE** apparaisse sur le panneau d'affichage. Dans 5 secondes, faites tourner le contrôle volume (**MULTI/JOG**, 3) pour ajuster l'aigu d'un minimum de **TRE 6** jusqu'au maximum de **TRE 06**. **TRE 00** représente une réponse plate.

④ Contrôle d'équilibre Droite/ Gauche

Pour ajuster l'équilibre entre les hauts parleurs de droite et de gauche, appuyez sur le bouton **SEL/MENU** (4) jusqu'à ce que **BAL** apparaisse sur le panneau d'affichage. Dans cinq secondes, faites tourner le contrôle volume (**MULTI/JOG**, 3) pour ajuster l'équilibre entre les hauts parleurs de droite et de gauche de **12R** (plein droite) à **12L** (plein gauche). **L=R** représente un équilibre parfait entre les hauts parleurs de droite et de gauche.

④ Contrôle d'équilibre Avant/ Arrière

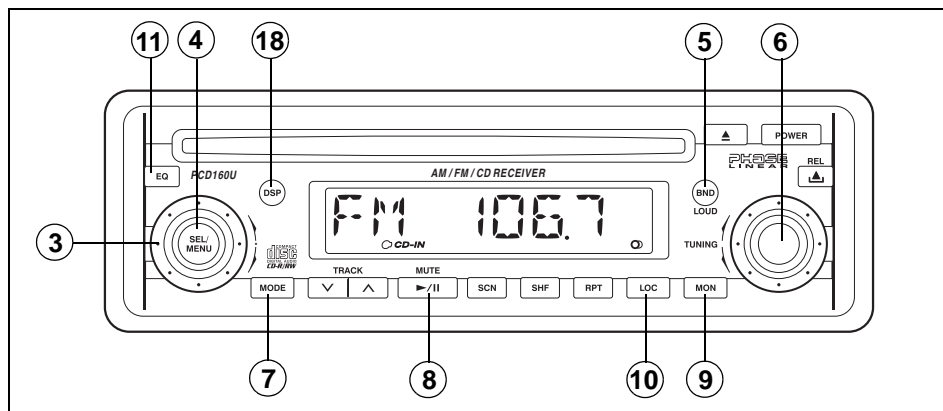
Pour ajuster l'équilibre entre les hauts parleurs d'avant et d'arrière, appuyez sur le bouton **SEL/MENU** (4) jusqu'à ce que **FAD** apparaisse sur le panneau d'affichage. Dans cinq secondes, faites tourner le contrôle volume (**MULTI/JOG**, 3) pour ajuster l'équilibre entre les hauts parleurs d'avant et d'arrière de **12R** (plein arrière) à **12F** (plein avant). **R=F** représente un équilibre parfait entre les hauts parleurs d'avant et d'arrière.

⑤ Sélectionneur de Bande AM/FM

Lorsque la radio est en train de jouer, chaque fois que le bouton **BND** (5) est appuyé, la bande de la radio change. Les indications **AM** ou **FM** apparaissent sur le panneau d'affichage selon votre sélection.

⑤ Contrôle d'Intensité

Lorsque vous écoutez la musique à des volumes bas, cette fonction va augmenter des gammes basse et aigu pour compenser les caractéristiques de l'ouïe humaine. Appuyez sur le bouton **BND** (5) pour activer cette fonction comme indiqué par **LOUD ON** sur le panneau d'affichage. Appuyez de nouveau sur le bouton **BND** pour désactiver cette fonction et **LOUD OFF** va apparaître sur le panneau d'affichage.



INSTRUCTIONS D'OPERATION

⑥ Contrôle de Syntonisation à la Main

Faites tourner le contrôle de syntonisations (**TUNING**, 6) à la main dans le sens des aiguilles de l'horloge pour syntoniser vers le haut en fréquence sur la bande en utilisation, contre le sens des aiguilles de l'horloge pour syntoniser vers le bas en fréquence. La fréquence que vous écoutez sera montré dans un format digital sur le panneau d'affichage. Lorsque vous syntonisez une station, ajustez toujours le contrôle pour que vous ayez la fréquence de transmission correcte sur l'affichage et que vous receviez un signal clair. Si la radio est syntonisée hors de la fréquence, vous pouvez avoir un audio perturbé, du bruit et d'autres problèmes de réception.

⑦ Le Bouton Mode (MODE)

Le bouton **MODE** (7) permet la sélection de la radio ou du disque. Lorsqu'un CD est en train de jouer, vous pouvez revenir à l'opération radio en appuyant sur ce bouton.

⑧ Muet Audio (MUTE)

Ce bouton est utilisé pour assourdir le volume du système. En appuyant sur le bouton **MUTE** (8), une indication **MUTE** va apparaître sur le panneau d'affichage et le volume sera assourdi. En appuyant de nouveau sur le bouton **MUTE**, ou en appuyant sur les boutons contrôle volume ou le bouton de sélection (**SEL/MENU**) vous pouvez retourner le niveau du volume au réglage en

utilisation avant que la fonction **MUTE** ait été activée.

⑨ Sélection FM Mono (MON)

Pendant l'opération radio FM, appuyez sur le bouton **MON** (9) pour sélectionner la réception mono ou stéréo du signal transmis. Dans les conditions de réception normale, l'appareil doit être laissé en mode stéréo comme indiqué par l'icône ST sur le panneau d'affichage, lorsque vous êtes sur un signal stéréo FM. Si le signal stéréo fait trop de bruit et empêche une écoute confortable, appuyez sur le bouton **MON** pour changer à une écoute mono. Pour revenir à la mode de réception stéréo, appuyez de nouveau sur ce bouton pour que l'indication ST apparaisse sur le panneau d'affichage.

⑩ Bouton Local (LOC)

Pendant l'opération radio, les signaux reçus sont d'habitude en mode stéréo comme indiqué par l'icône ST ; cependant, lorsque les signaux sont faibles ou intermittents, il vaut la peine d'activer le mode Local (LOC) en appuyant sur le bouton **LOC** (10) (LOC apparaît sur l'affichage). Ce mode favorise l'accès aux stations locales, dont les signaux sont plus forts et donne une réception radio améliorée. Appuyez de nouveau sur le bouton LOC pour terminer la mode de réception locale (LOC disparaît du panneau d'affichage).

⑪ Sélectionneur d'égaliseur (EQ)

Le bouton **EQ** (11) applique des effets sonores pré-réglés au signal de sortie audio de

l'appareil. Lorsqu'il est appuyé, il va activer une des modes suivantes : FLAT, CLASSICS, POP M, ROCK M, ou DSP OFF. Lorsque la fonction Egaliseur est active, les niveaux de basse et d'aigu peuvent toujours être changés pour accommoder l'oreille de l'auditeur. Lorsque la fonction EQ n'est pas active, l'appareil reviendra aux niveaux de basse et d'aigu réglés par l'auditeur.

⑱ Sélectionneur de l'Affichage

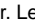
Cet appareil peut afficher soit le temps de l'horloge soit les fonctions fréquence radio/platine CD. Normalement, l'indication de la fréquence radio ou la piste de platine CD est affichée, mais l'appareil va afficher le temps lorsque le bouton **DSP** (18) est appuyé. Le temps sera affiché pendant cinq secondes et puis l'appareil reviendra à l'affichage de l'opération radio ou à la fonction platine CD. L'heure correcte peut être réglée en appuyant sur le bouton **DSP**.

Régler l'Horloge

1. Mettez en marche l'allumage du véhicule et la radio.
2. Appuyez sur le bouton **DSP** (18) jusqu'à ce que l'heure soit affichée.
3. Dans cinq secondes, faites tourner le contrôle volume (**MULTI/JOG**, 3) dans le sens des aiguilles d'une montre pour ajuster les minutes au réglage désiré.
4. Faites tourner le contrôle volume contre le sens des aiguilles d'une montre pour ajuster les heures et l'indication AM/PM à l'heure désirée.

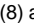
OPÉRATION DE LA PLATINE CD

12 Fente du Disque

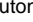
Avec l'étiquette en haut, insérez un disque compact dans la fente jusqu'à ce que le mécanisme s'engage et tire le disque vers l'intérieur. Le symbole disque  CD-IN apparaîtra sur le panneau d'affichage et le disque va se mettre à jouer à partir de la première piste accompagné par le temps écoulé du jeu de piste.

A NOTER : Cet appareil est conçu pour jouer des disques compacts de taille standard 5" (12 cm) seulement. N'essayez pas d'utiliser des disques compacts de 3" (8cm), avec ou sans adaptateur, comme cela peut causer des dégâts à la platine ou au disque. De tels dégâts ne seront pas couverts par le garanti sur ce produit.

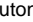
8 Sélectionneur de Jeu CD/ Pause

Appuyant sur ce bouton  (8) alors qu'un disque est en train de jouer va faire une pause. En pause, le symbole du disque va clignoter et le jeu sera suspendu. Lorsque vous appuyez sur ce bouton de nouveau, la reproduction va reprendre à partir de l'endroit où le disque s'était arrêté et va continuer jusqu'à ce que toutes les pistes aient été jouées, après quoi la reproduction va s'arrêter automatiquement (à moins que la mode de répétition ait été sélectionnée).

13 Sélectionneur de Piste Avancée

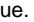

Le bouton de piste avancée (**TRACK** , 13) est utilisée, lorsque le disque est en train de jouer pour sélectionner le début d'une piste dans le sens avancé. Avec chaque appui du bouton, le prochain numéro de piste supérieur va être sélectionné comme indiqué par le panneau d'affichage.

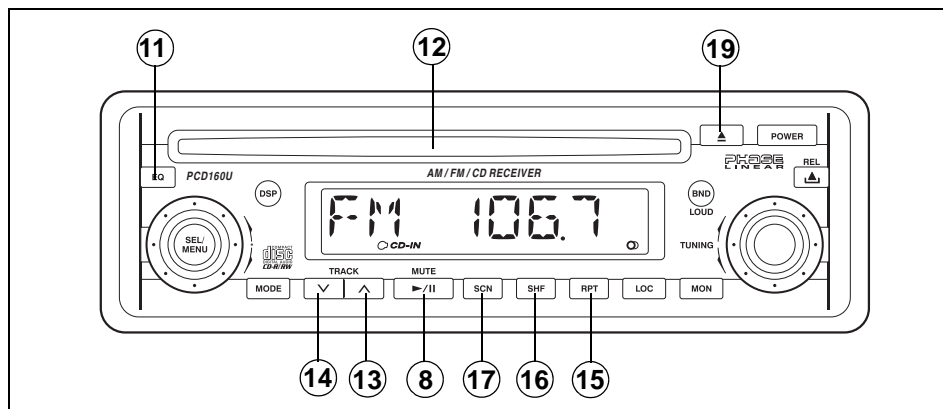
14 Sélectionneur de Piste Reculé

Le bouton de piste reculée (**TRACK** , 14) est utilisée lorsque le disque est en train de jouer pour sélectionner rapidement le début d'une piste dans le sens reculé. Avec chaque appui du bouton, le prochain numéro de piste inférieur va être

sélectionné comme indiqué par le panneau d'affichage.

13, 14 Fonctions Repère/Revue

Une recherche audible à grande vitesse peut être effectuée en utilisant les fonctions Repère et Revue. Appuyez sur le bouton **TRACK**  (13) pour avancer rapidement dans (le symbole du jeu du disque va tourner dans le sens avancé dans le panneau d'affichage) ou sur le bouton **TRACK**  (14) pour reculer rapidement (le symbole du jeu du disque va tourner dans le sens reculé dans le panneau d'affichage).



OPÉRATION DE LA PLATINE CD

⑮ Sélectionneur de Jeu Répété (RPT)

Appuyant sur le bouton **RPT** (15), alors qu'un disque est en train de jouer va sélectionner la mode de répétition du jeu de piste. Pour répéter la reproduction d'une piste désirée, appuyez sur ce bouton une fois ; S-RPT va apparaître sur le panneau d'affichage suivi par le numéro de piste courant. La piste va se répéter indéfiniment jusqu'à ce que la fonction Répétition de Piste soit annulée en appuyant de nouveau sur ce bouton ou en activant la fonction Intro Scan ou Jeu au Hasard, pour que l'indication S-RPT disparaisse du panneau d'affichage.

⑯ Sélectionneur de Mode Jeu au Hasard (SHF)

Appuyez sur le bouton **SHF** (16) pendant deux secondes, alors que le disque est en train de jouer, pour jouer les pistes sur le disque dans un ordre mélangé ou au hasard. (S-SHF va apparaître sur le panneau d'affichage avec le numéro de piste courant). Dans la mode Jeu au Hasard, vous pouvez sélectionner des pistes au hasard en appuyant sur le bouton de piste avancée au lieu d'une progression normale. Si vous appuyez sur le bouton de piste reculée, les pistes seront sélectionnés au hasard aussi.

Pour annuler, appuyez sur le bouton **SHF** pendant deux secondes.

⑰ Sélection du balayage de piste (SCN)

Appuyez sur le bouton **SCN** (17), alors que le disque est en train de jouer, pour jouer les dix premières secondes de chaque piste. (S-SCN sera affiché avec le numéro de piste). Lorsque vous arrivez à une piste désirée, appuyez de nouveau sur le bouton **SCN** pour annuler cette fonction et jouer la piste sélectionnée.

⑲ Bouton d'éjection du Disque

Appuyez sur le bouton d'éjection ▲ (19) pour arrêter le jeu du disque et pour éjecter le disque. L'appareil va revenir à l'opération radio. Les disques peuvent être éjectés avec la clé de contact du véhicule en arrêt ou en marche. Si un disque éjecté n'est pas enlevé de la fente dans dix secondes, le disque sera inséré automatiquement, et le symbole du disque va réapparaître sur l'affichage pour montrer qu'un disque est toujours installé dans l'appareil.

A NOTER : Pour éviter de nuire au disque, enlevez toujours le disque de l'appareil lorsque le jeu du disque est terminé.

OPERATION DE PLATINE MP3 (PMP180U)

Cette section ne s'applique qu'au seul PMP180U.

Des instructions pour Insérer/Ejecter, Jouer/ Faire pause, Sélection de piste, Repère/Revue, Balayage, Répétition, Jeu au hasard sont les mêmes pour opération CD et MP3. Veuillez voir la section sur l'opération platine CD pour des informations sur ces sujets.

Après insertion d'une disquette MP3, " MP3 T " et le numéro de piste apparaissent momentanément, suivis par une étiquette ID (si soutenu). Après ces indications initiales, le numéro de piste et le nom de la chanson apparaissent en alternance, avec le nom de la chanson se déroulant de droite à gauche à travers l'affichage.

Information d'Affichage

Appuyez sur **DSP** (18) pour afficher l'étiquette ID3, si disponible. L'étiquette ID peut préciser le nom de la chanson, l'artiste, l'album, l'année et/ ou des commentaires. S'il n'y a pas d'étiquette ID, " -NO ID3 " va apparaître sur l'affichage après les commentaires.

Accès Direct Chanson/Fichier

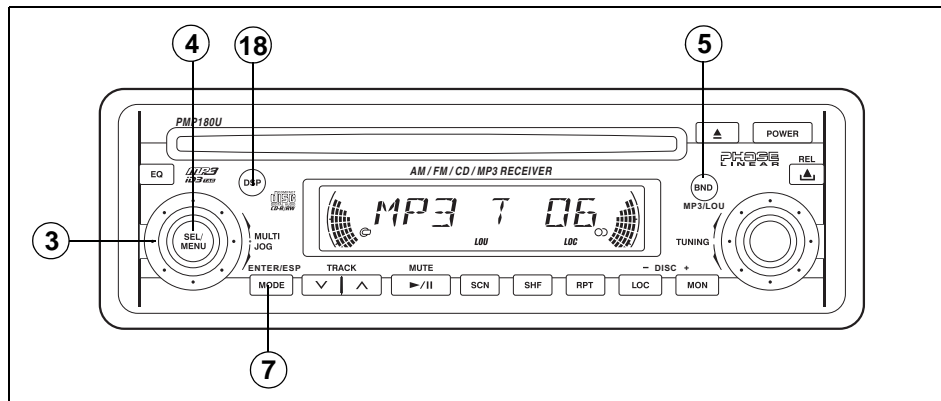
Appuyez sur le bouton **BND** (5) pour activer la recherche de piste directe. Utilisez le contrôle **MULTI/JOG** (3) pour sélectionner la chanson/le fichier désiré. Appuyez sur le bouton **MODE/ ENTER/ESP** (7) pour jouer la chanson/le fichier sélectionné, ou bien ne faites rien et l'appareil va chercher et jouer la chanson/le fichier dans trois secondes.

Recherche Par Nom

1. Appuyez sur le bouton **BND** (5) deux fois pour activer la recherche par nom du fichier ou répertoire.
2. Utilisez le contrôle **MULTI/JOG** (3) pour sélectionner les caractères A-Z, -, +, 0-9.
3. Appuyez sur le bouton **SEL/MENU** (4) pour confirmer l'entrée de chaque caractère.
4. Appuyez sur le bouton **MODE/ENTER/ESP** (7) pour commencer la recherche. Si l'entrée sélectionnée est un nom de répertoire, " ' ' " sera affiché.
5. Utilisez le contrôle **MULTI/JOG** (3) pour sélectionner la chanson/le fichier dans ce répertoire/dossier.
6. Appuyez sur le bouton **BND** (5) pour jouer la chanson/le fichier sélectionné.

Recherche du Répertoire Racine

1. Appuyez sur le bouton **BND** (5) trois fois.
2. Utilisez le contrôle **MULTI/JOG** (3) pour sélectionner le répertoire/la chanson désiré. Si un répertoire est présent ; " D-DIR " apparaît sur l'affichage.
3. Appuyez sur le bouton **MODE/ENTER/ESP** (7) pour accéder au répertoire. " ' ' " apparaîtra dans l'affichage pour indiquer qu'un répertoire a été sélectionné pour recherche.
4. Utilisez le contrôle **MULTI/JOG** (3) pour sélectionner la chanson/le fichier.
5. Appuyez sur le bouton **BND** (5) pour jouer votre sélection.



DES CONTROLES CHANGEUR CD (PMP180U)

Cette Section ne s'applique qu'au Seul PMP 180 U.

Des contrôles sont encastrés dans le PMP180U pour opérer un changeur CD facultatif. Veuillez consulter avec votre spécialiste stéréo radio Phase Linear/Audiovox ou appeler 1-800-323-4815 pour des recommandations sur les modèles qui sont compatibles avec cette radio.

Ajustements des fonctions audio (volume, tonalité, équilibreur et égaliseur) et des fonctions CD (Faire pause/Jouer, SCN, SHF, RPT et sélection TRACK) pour le changeur CD opèrent de la même manière que pour la radio. Voir les sections Opération et Opération de la platine CD pour avoir des informations sur ces sujets.

Les contrôles suivants vont opérer le changeur CD lorsqu'il est installé et branché à cette radio. Référez-vous au guide du propriétaire fourni avec le changeur CD pour des instructions sur l'installation et le chargement correct et l'utilisation du chargeur CD.

⑦ Sélection de Mode Changeur CD (MODE)

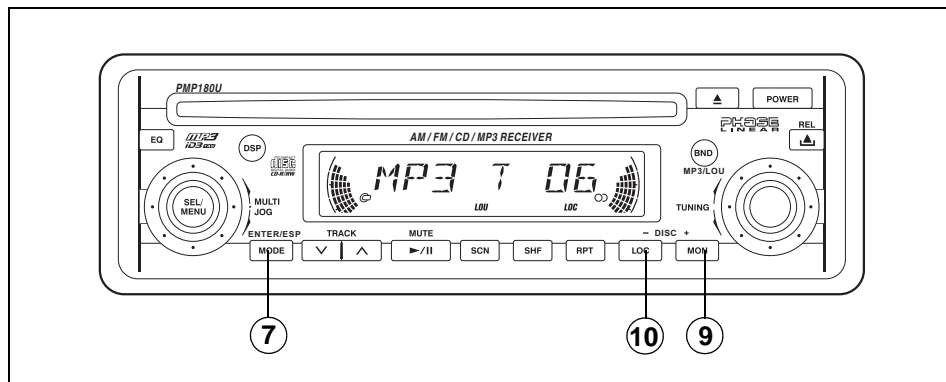
Appuyez sur le bouton **MODE** (7) pour sélectionner l'opération du changeur

CD, comme montré par " CDC " sur le panneau d'affichage. La reproduction du disque va commencer et le numéro du disque et de la piste seront affichés sur le panneau d'affichage. Si un nouveau chargeur a été chargé dans le changeur, la reproduction reprendra à partir de la première piste du premier disque dans le chargeur. Si le chargeur était déjà dans le

changeur, la reproduction, reprendra à partir de la piste du disque qui était précédemment joué.

⑨, ⑩ Sélection du disque (DISC + /DISC -)

Ces boutons **DISC +/-** (9 et 10) sont utilisés pour sélectionner le disque désiré. Pour avancer jusqu'à un disque de numéro supérieur appuyez sur le bouton **DISC+** (9). Pour revenir à un disque de numéro inférieur, appuyez sur le bouton **DISC -** (10). Le numéro du disque en jeu sera affiché dans le panneau d'affichage.



SOIN ET ENTRETIEN

Votre nouvelle platine CD/radio n'a pas besoin d'être entretenu. Cependant, une compréhension correcte de son utilisation et manipulation vous aidera à obtenir une jouissance maximum de ses capacités. Nous recommandons que vous gardez ce guide comme référence pour les fonctions multiples de cet appareil, aussi bien que pour régler l'horloge. Gardez les points suivants à l'esprit :

- Lorsque vous nettoyez le véhicule, ne versez pas d'eau ou de détergents liquides sur l'appareil.
- La platine CD est un instrument de précision et ne fonctionnera pas dans des froids ou des chaleurs extrêmes. Si de telles conditions prévalent, attendez que la température à l'intérieur du véhicule redevienne normale avant de jouer.
- Si la température à l'intérieur de la platine devient trop chaud, un circuit de protection va automatiquement arrêter le jeu. Dans ce cas, permettez à l'appareil de se refroidir avant de l'utiliser.
- N'insérez jamais rien d'autre qu'un disque compact de 5" (12cm) dans la platine comme ce mécanisme peut souffrir des dégâts à cause des objets étrangers.
- N'essayez jamais d'utiliser des disques compacts de 3" (8cm) dans cet appareil, avec ou sans adaptateur, comme cela peut nuire à la platine ou au disque. De tels dégâts ne seront pas couverts par le garanti sur ce produit.

- Enlevez toujours le disque compact, si vous n'utilisez pas la platine. Ne laissez jamais un disque compact dans la fente à disque comme cela peut l'exposer aux rayons du soleil et autres facteurs qui peuvent nuire.
- N'essayez pas d'ouvrir le châssis de l'appareil. Il n'y a pas de pièces qui sont susceptibles à être dépanné par l'utilisateur ou des points d'ajustement à l'intérieur.
- Lorsque le véhicule se réchauffe pendant la saison froide ou dans des conditions humides, de la condensation peut apparaître sur les lentilles de la platine. Si cela arrive, la platine ne fonctionnera pas jusqu'à ce que l'humidité ait évaporé.
- L'appareil est conçu avec un mécanisme d'amenuisement de vibrations pour minimiser l'interruption du jeu du disque à cause de la vibration normale d'un véhicule en mouvement. Lorsque vous conduisez sur les surfaces rugueuse, des sauts de son peuvent arriver. Cela ne nuira pas au disque et le jeu normal reprendra lorsque les conditions rugueuses disparaissent.

Manipulation des Disques Compacts

De la poussière, des saletés, des égratignures et des torsions, peuvent produire des sauts dans la reproduction et une détérioration dans la qualité du son. Suivez ces conseils pour entretenir vos disques compacts :

- Essayez des empreintes digitales, de la poussière et des saletés déposées sur la surface du disque avec un torchon doux. Essuyez dans un mouvement droit à partir du centre du disque jusqu'au bord.
- N'utilisez jamais des produits chimiques tels que des vaporisateurs pour disque ou des détergents domestiques pour nettoyer vos disques compacts. Ces produits peuvent irrémédiablement nuire à vos disques.
- Gardez les disques dans leur boîte de stockage lorsque vous ne les écoutez pas.
- N'exposez pas les disques aux rayons de soleil directs, à des températures très chaudes ou à l'humidité pendant de longues périodes.
- Ne collez pas de papier, de la bande adhésive ou des étiquettes sur la surface du disque.

BOUTON DE REMISE À L'ÉTAT INITIAL

Un bouton de remise à l'état initial est situé derrière la dalle à gauche (il faut enlever le panneau d'avant pour accéder à ce bouton). La fonction remise à l'état initial est fournie pour protéger la circuiterie du microprocesseur, et ne doit être activé que dans des circonstances suivantes, comme il effacera l'heure et les mise en mémoires pré-réglées : Après l'installation dès que tout le câblage est terminé; S'il y a un mauvais fonctionnement de l'un des interrupteurs de l'appareil, vous pouvez appuyer sur le bouton de remise à l'état initial pour nettoyer le système et revenir à l'opération normale.

SPECIFICATIONS

Capacité CD-R et CD-RW

Dépendant du type de média et des méthodes d'enregistrement quelques CD-R/RW peuvent être incompatible avec cet appareil. **La séance doit être close après l'enregistrement.**

Référez-vous aux procédures recommandées de votre logiciel pour clore un disque/séance. Revoyez votre logiciel d'enregistrement afin de vous familiariser avec les procédures d'enregistrement correctes. Nous recommandons les dernières versions de logiciel d'enregistrement ROXIO™ et NERO™.

PCD160U

En outre, cet appareil ne reconnaît le format CDDA (Compact Disc Digital Audio) enregistré sur un CDR/RW. Cet appareil n'est pas compatible avec les formats .MP3, .WMA, .WAV, .OGG ou autre. Le format CDDA est le format standard d'un CD " acheté dans une boutique ". Lorsque vous enregistrez un CDR/RW assurez vous que le format CDDA est sélectionné.

PMP180U

Cet appareil ne reconnaît que les formats CDDA (Compact Disc Digital Audio) et .MP3 " enregistré ou inscrit de mémoire morte " sur un CD-R/RW. Cet appareil ne soutient pas de formats .WMA, .WAV, .OGG ou autres.

Spécifications Techniques



Indices de Puissance CEA

Sortie puissance : 13 watts RMS x 4 chaînes multiplié par 4 ohms @ < 1% THD + N
Rapport signalment au bruit : 70 dBA sous référence (Référence : 1 watt, 4ohms)
Réponse fréquence : 20 Hz à 20 kHz, -3dB
Référence d'alimentation voltage : 14.4 VDC

Platine CD

Rapport signalment au bruit : >75 dBA
Réponse fréquence : 20 Hz à 18 kHz, -3dB
Séparation des chaînes : >55 dB @ 1kHz
Convertisseur D/A : 1bit/Ch

Tuner FM

Gamme de syntonisation : 87.5 MHz à 107.9 MHz
Sensibilité mono : 18 dBf
Sensibilité d'assourdissement stéréo 50 dB : 20 dBf

Séparation stéréo @ 1kHz : >30dB
Réponse fréquence : 30Hz à 12 kHz, -3dB

Tuner AM

Gamme de syntonisation : 530 kHz à 1710kHz
Sensibilité @ 20 dB signalment au bruit: 30 uV
Réponse fréquence : 30 Hz à 2 kHz, -3dB

Général

Alimentation : 11 à 16 VDC, terre négative
Fusibles : Pile -15amp/AGC, Allumage/
Accessoire -0.5amp/AGC
4+9 pin harnais à connexion rapide
Dimensions : 7" x 7" x 2" (178mm x 178mm x 51mm)

Les spécifications peuvent changer sans avis préalable.

GARANTIE LIMITÉE DE 3 MOIS

AUDIOVOX CORPORATION (la Société) garantit à l'acheteur initial du produit que si tout ou partie de ce produit, en cours d'utilisation et sous des conditions normales, venait à présenter des vices de matière primitive ou des défauts de fabrication, dans les 3 mois suivant la date d'achat initial, ce(s) défaut(s) sera(seront) réparé(s) ou remplacé(s) par un produit neuf ou reconditionné (au choix de la Société), sans frais de pièces ni de main-d'oeuvre. Si ce produit doit être réparé ou remplacé durant la période de la Garantie, il doit être expédié, accompagné d'un document prouvant qu'il est couvert par la garantie (ex. contrat de vente daté) en précisant la (les) défektivité(s), transport prépayé, au centre de garantie dont l'adresse apparaît ci-dessous.

Cette Garantie ne couvre pas l'élimination des parasites ou des bruits générés par le moteur, la correction des problèmes d'antenne, les frais encourus pour l'installation, le retrait ou la réinstallation du produit, ni les dommages causés aux cassettes, disques compacts, accessoires ou au système électrique du véhicule. Cette Garantie ne s'applique pas aux produits ou aux parties constituantes qui, de l'avis de la Compagnie, ont été endommagés par suite de modification, d'installation incorrecte, de mauvaise manipulation, d'utilisation abusive, de négligence, d'accident,

ou encore du retrait ou du griffonnage des inscriptions ou de l'étiquette code à barres/ numéro de série installé en usine. SELON LES TERMES DE CETTE GARANTIE, LA RESPONSABILITE DE LA SOCIETE EST LIMITEE A LA REPARATION OU AU REMPLACEMENT, TEL(LE) QU'IL(ELLE) EST STIPULE(E) CI-DESSUS ET, EN AUCUN CAS, LA RESPONSABILITE DE LA SOCIETE NE POURRA EXCEDER LE PRIX D'ACHAT PAYE PAR L'ACHETEUR DU PRODUIT.

Cette Garantie remplace toute autre garantie expresse ou responsabilité. TOUTE GARANTIE TACITE, COMPRENANT TOUTE GARANTIE DE QUALITE LOYALE ET MARCHANDE, EST LIMITEE A LA DUREE DE CETTE GARANTIE ECRITE. TOUTE ACTION POUR RUPTURE DE TOUTE GARANTIE, SELON LES TERMES DE LA PRESENTE, COMPRENANT TOUTE GARANTIE IMPLICITE DE QUALITE LOYALE ET MARCHANDE, DOIT ETRE INTENTEE DANS LES 30 MOIS A COMPTER DE LA DATE D'ACHAT INITIAL. EN AUCUN CAS LA SOCIETE NE SERA RESPONSABLE DE TOUT DOMMAGE INDIRECT OU FORTUIT POUR RUPTURE DE CETTE GARANTIE OU DE TOUTE AUTRE GARANTIE, EXPRESSE OU IMPLICITE, DE QUELLE QUE NATURE QUE CE SOIT. Aucune personne ni aucun

représentant n'est autorisé(e) à assumer, au nom de la Société, d'autre responsabilité que celle exprimée dans la présente, et se rapportant à la vente de ce produit.

Certains Etats n'autorise pas les restrictions relatives à la durée d'application des garanties implicites ni l'exclusion ou la limitation des dommages indirects ou fortuits. Dans ces Etats, de telles limitations ou exclusions ne s'appliquent donc pas. Cette Garantie vous donne des droits juridiques spécifiques et vous pouvez également jouir d'autres droits, suivant l'Etat dans lequel vous vivez.

U.S.A : Audiovox Corporation, 150 Marcus Blvd., Hauppauge, NY 11788, 1-800-323-4815

CANADA: Composez le 1-800-323-4815 connaître l'adresse du poste de garantie de votre région.

Audiovox Electronics Corporation
150 Marcus Boulevard
Hauppauge, NY 11788
1-800-323-4815
www.audiovox.com

©2005 Audiovox
v.011505

Free Manuals Download Website

<http://myh66.com>

<http://usermanuals.us>

<http://www.somanuals.com>

<http://www.4manuals.cc>

<http://www.manual-lib.com>

<http://www.404manual.com>

<http://www.luxmanual.com>

<http://aubethermostatmanual.com>

Golf course search by state

<http://golfingnear.com>

Email search by domain

<http://emailbydomain.com>

Auto manuals search

<http://auto.somanuals.com>

TV manuals search

<http://tv.somanuals.com>