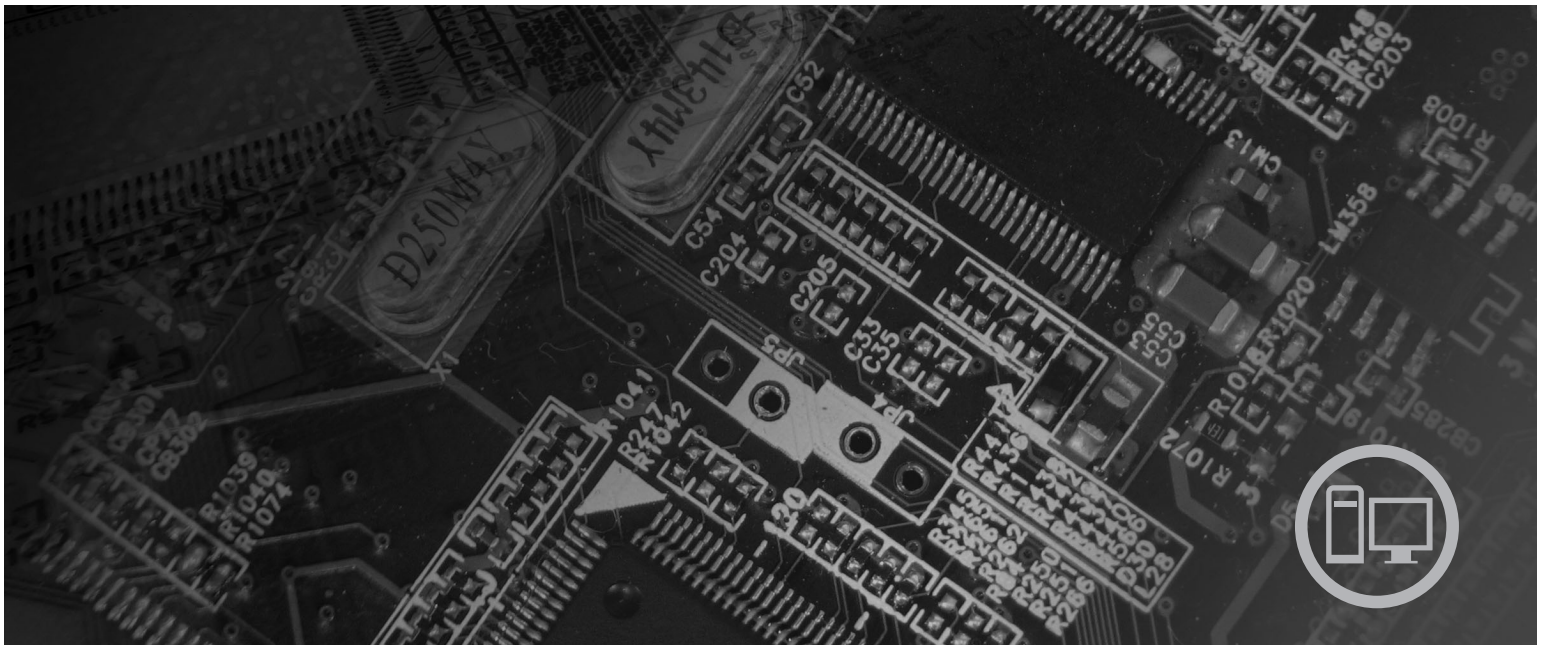




Hardware Replacement Guide

Lenovo 3000 J Series



Types 7387, 7388, 7389, 7393, 7394, 7395

lenovo

Lenovo 3000 J Series

Second Edition (February 2007)

© Copyright Lenovo 2005, 2007.

Portions © Copyright International Business Machines Corporation 2005.

All rights reserved.

U.S. GOVERNMENT USERS – RESTRICTED RIGHTS: Our products and/or services are provided with RESTRICTED RIGHTS. Use, duplication or disclosure by the Government is subject to the GSA ADP Schedule contract with Lenovo Group Limited, if any, or the standard terms of this commercial license, or if the agency is unable to accept this Program under these terms, then we provide this Program under the provisions set forth in Commercial Computer Software–Restricted Rights at FAR 52.227-19, when applicable, or under Rights in Data-General, FAR 52.227.14 (Alternate III).

Contents

Overview	v
Safety information	v
Additional information resources	v
Tools required	v
Handling static-sensitive devices	v
Chapter 1. Locations	1
Locating the connectors on the front of your computer	1
Locating the connectors on the rear of your computer	2
Locating components	3
Identifying parts on the system board	4

Chapter 2. Replacing hardware	7
Removing the cover	7
Replacing a memory module	8
Replacing a PCI adapter	9
Replacing a keyboard	11
Replacing a mouse	11
Completing the parts replacement	12
Appendix. Notices	15
Television output notice	16
Trademarks	16

Overview

This guide is intended to be used by customers who are replacing Customer Replaceable Units (CRUs). In this document, CRUs will be referred to as parts.

This guide does not include procedures for all parts. It is expected that cables, switches, and certain mechanical parts can be replaced by trained service personnel without the need for step-by-step procedures.

This guide contains instructions for replacing the following parts:

Note: Use only the parts provided by Lenovo™.

- Memory module
- PCI adapter card
- Keyboard
- Mouse

Safety information

Do not open your computer or attempt any repair before reading the “Important safety information” in the *Safety and Warranty Guide* that was included with your computer. To obtain a copy of the *Safety and Warranty Guide*, go to the World Wide Web at <http://www.lenovo.com/support>.

Additional information resources

If you have Internet access, the most up-to-date information for your computer is available from the World Wide Web.

You can find the following information:

- CRU removal and installation instructions
- CRU removal and installation videos
- Publications
- Troubleshooting information
- Parts information
- Downloads and drivers
- Links to other useful sources of information
- Support phone list

To access this information, point your browser to <http://www.lenovo.com/support>

Tools required

To replace some parts in your computer, you might need a flat-blade or Phillips screwdriver. Additional tools might be needed for certain parts.

Handling static-sensitive devices

Static electricity, although harmless to you, can seriously damage computer components and parts.

When replacing a part, do *not* open the static-protective package containing the new part until the defective part has been removed from the computer and you are ready to install the new part.

When you handle parts and other computer components, take these precautions to avoid static-electricity damage:

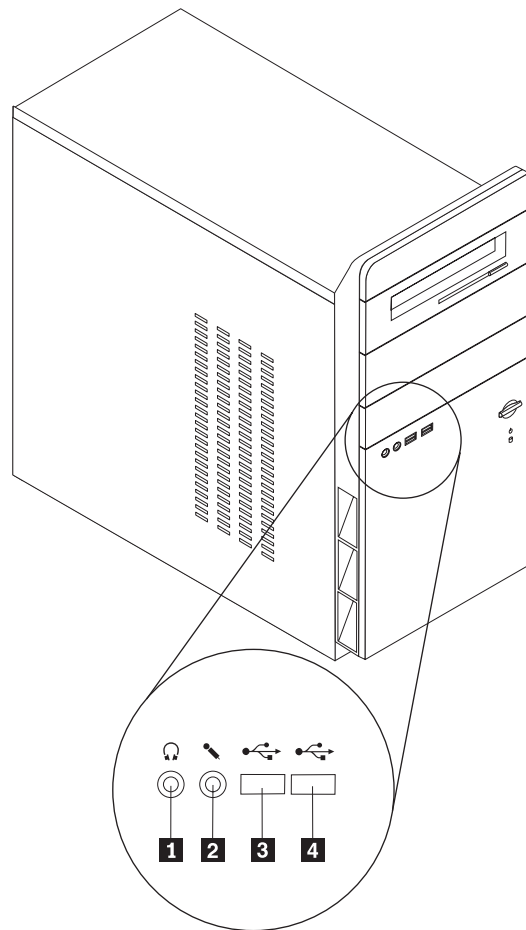
- Limit your movement. Movement can cause static electricity to build up around you.
- Always handle parts and other computer components carefully. Handle adapters, memory modules, system boards, and microprocessors by the edges. Never touch any exposed circuitry.
- Prevent others from touching the parts and other computer components.
- Before you replace a new part, touch the static-protective package containing the part to a metal expansion-slot cover or other unpainted metal surface on the computer for at least two seconds. This reduces static electricity in the package and your body.
- When possible, remove the new part from the static-protective packaging and install it directly in the computer without setting the part down. When this is not possible, place the static-protective package that the part came in on a smooth, level surface and place the part on it.
- Do not place the part on the computer cover or other metal surface.

Chapter 1. Locations

This chapter provides illustrations to help locate the various connectors, controls and components of the computer. To remove the computer cover, see “Removing the cover” on page 7.

Locating the connectors on the front of your computer

The following illustration shows the location of connectors on the front of the computer.

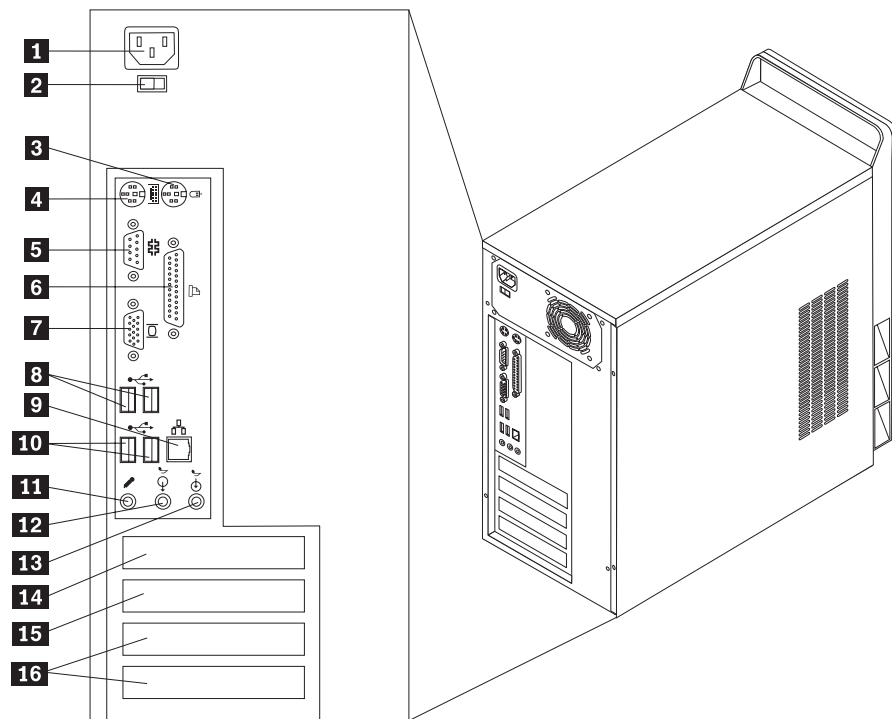


1 Headphone connector
2 Microphone connector

3 USB connector
4 USB connector

Locating the connectors on the rear of your computer

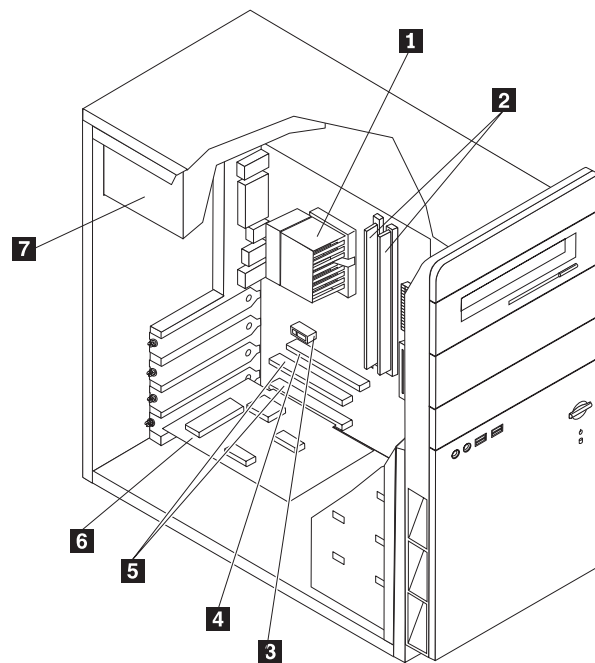
The following illustration shows the location of connectors on the rear of the computer.



- | | | | |
|----------|--|-----------|---|
| 1 | Power connector | 9 | Ethernet connector |
| 2 | Voltage-selection switch (some models) | 10 | USB connectors |
| 3 | Mouse connector | 11 | Microphone connector |
| 4 | Keyboard connector | 12 | Audio line out connector |
| 5 | Serial connector | 13 | Audio line in connector |
| 6 | Parallel connector | 14 | PCI Express x1 adapter or PCI Express x16 adapter connector (some models) |
| 7 | VGA monitor connector | 15 | PCI Express x1 adapter or PCI Express x16 adapter connector (some models) |
| 8 | USB connectors | 16 | PCI adapter connectors |

Locating components

The following illustration will help you locate the various components in your computer.

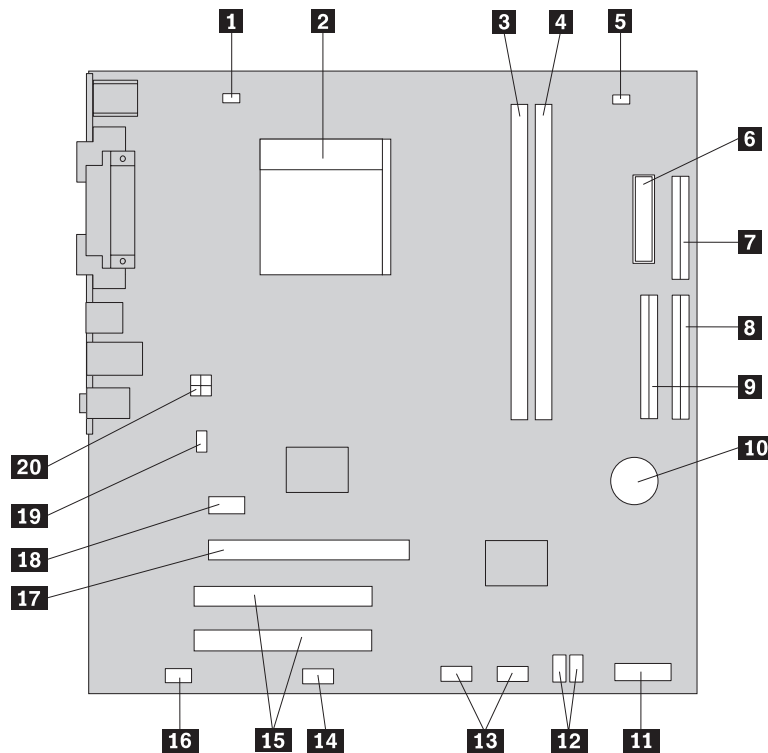


- | | | | |
|----------|--|----------|------------------------|
| 1 | Microprocessor and heat sink | 5 | PCI adapter connectors |
| 2 | Memory modules | 6 | PCI adapter |
| 3 | PCI Express x1 adapter or PCI Express x16 graphics adapter connector (some models) | 7 | Power supply assembly |
| 4 | PCI Express x16 graphics adapter or PCI Express x1 adapter connector (some models) | | |

Identifying parts on the system board

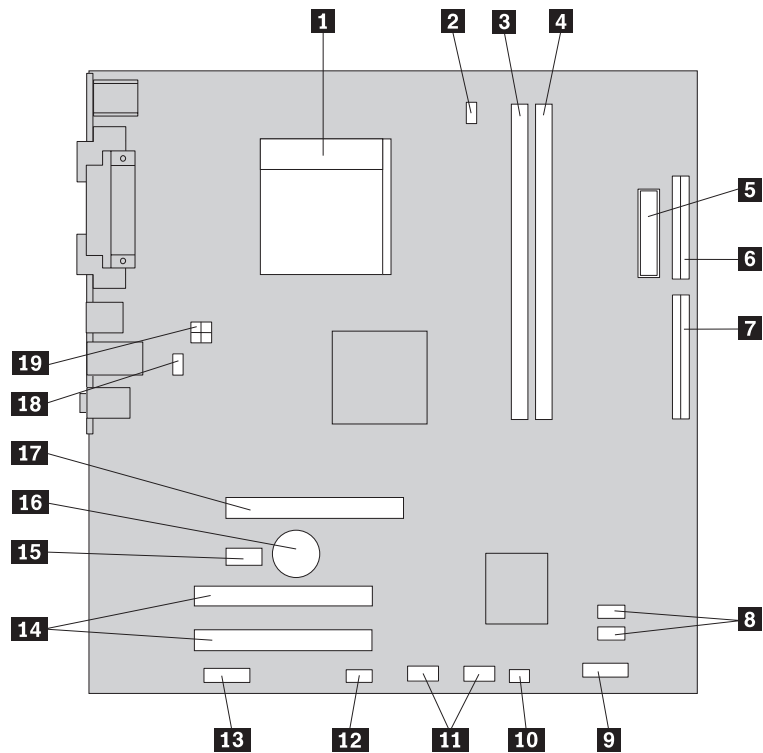
The system board (sometimes called the planar or motherboard) is the main circuit board in your computer. It provides basic computer functions and supports a variety of devices.

The following illustration shows the locations of parts on the system board for some computer models.



- | | | | |
|-----------|------------------------------|-----------|--|
| 1 | Microprocessor fan connector | 11 | Front panel connector |
| 2 | Microprocessor and heat sink | 12 | SATA IDE connectors (2) |
| 3 | Memory connector 1 | 13 | Front USB connectors (2) |
| 4 | Memory connector 2 | 14 | Serial (COM) connector |
| 5 | Clear CMOS/Recovery jumper | 15 | PCI adapter connectors |
| 6 | Power connector | 16 | Front audio connector |
| 7 | Diskette drive connector | 17 | PCI Express x16 graphics adapter connector |
| 8 | IDE connector 1 | 18 | PCI Express x1 adapter connector |
| 9 | IDE connector 2 | 19 | System fan connector |
| 10 | Battery | 20 | 12v power connector |

The following illustration shows the locations of parts on the system board for some computer models.



- | | | | |
|-----------|------------------------------|-----------|--|
| 1 | Microprocessor and heat sink | 11 | Front USB connectors (2) |
| 2 | Microprocessor fan connector | 12 | Serial (COM) connector |
| 3 | Memory connector 1 | 13 | Front audio connector |
| 4 | Memory connector 2 | 14 | PCI adapter connectors (2) |
| 5 | Power connector | 15 | PCI Express x1 adapter connector |
| 6 | Diskette drive connector | 16 | Battery |
| 7 | IDE connector | 17 | PCI Express x16 graphics adapter connector |
| 8 | SATA IDE connectors (2) | 18 | System fan connector |
| 9 | Front panel connector | 19 | 12v power connector |
| 10 | Clear CMOS/Recovery jumper | | |

Chapter 2. Replacing hardware

Attention

Do not open your computer or attempt any repair before reading the “Important safety information” in the *Safety and Warranty Guide* that was included with your computer. To obtain copies of the *Safety and Warranty Guide*, go to <http://www.lenovo.com/support>.

Note: Use only the parts provided by Lenovo.

Removing the cover

Important

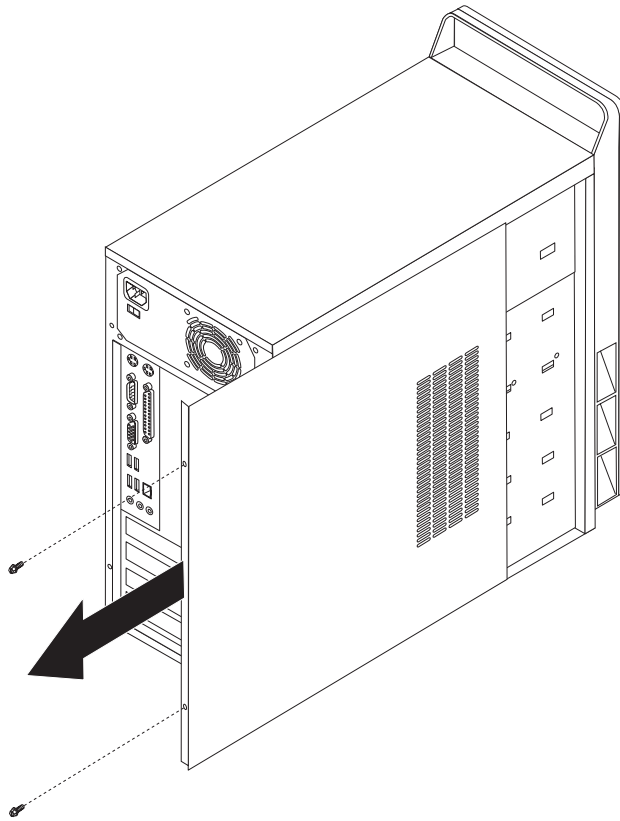


Turn off the computer and wait 3 to 5 minutes to let the computer cool before opening the computer cover.

To remove the computer cover, do the following:

1. Shut down your operating system, remove any media (diskettes, CDs, or tapes) from the drives, and turn off all attached devices and the computer.
2. Unplug all power cords from electrical outlets.
3. Disconnect all cables attached to the computer. This includes power cords, input/output (I/O) cables, and any other cables that are connected to the computer.

4. Remove the two screws at the rear of the left side cover and slide the cover to the rear to remove.



Replacing a memory module

Attention

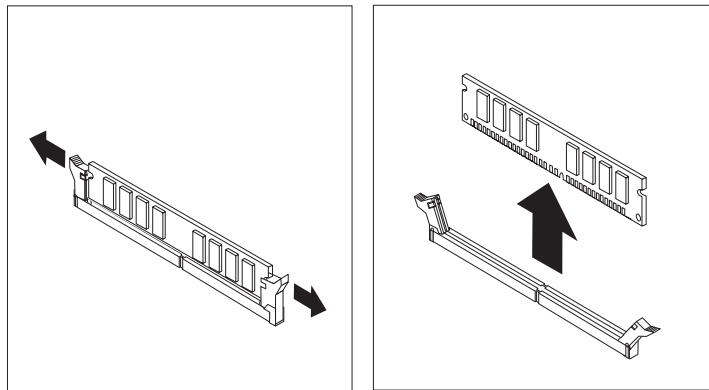
Do not open your computer or attempt any repair before reading the “Important safety information” in the *Safety and Warranty Guide* that was included with your computer. To obtain copies of the *Safety and Warranty Guide*, go to <http://www.lenovo.com/support>.

This section provides instructions on how to replace a memory module.

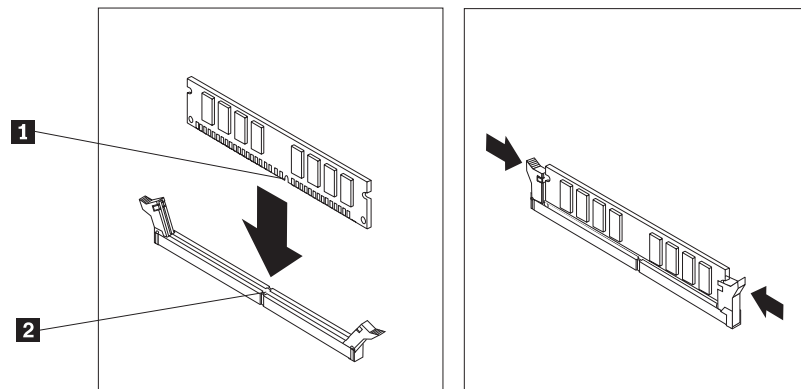
Note: Your computer has support for two memory modules.

1. Remove the computer cover. See “Removing the cover” on page 7.

2. Remove the memory module being replaced by opening the retaining clips as shown.



3. Position the replacement memory module over the memory connector. Make sure that the notch **1** on the memory module aligns correctly with the connector key **2** on the system board. Push the memory module straight down into the memory connector until the retaining clips close.



4. Go to “Completing the parts replacement” on page 12.

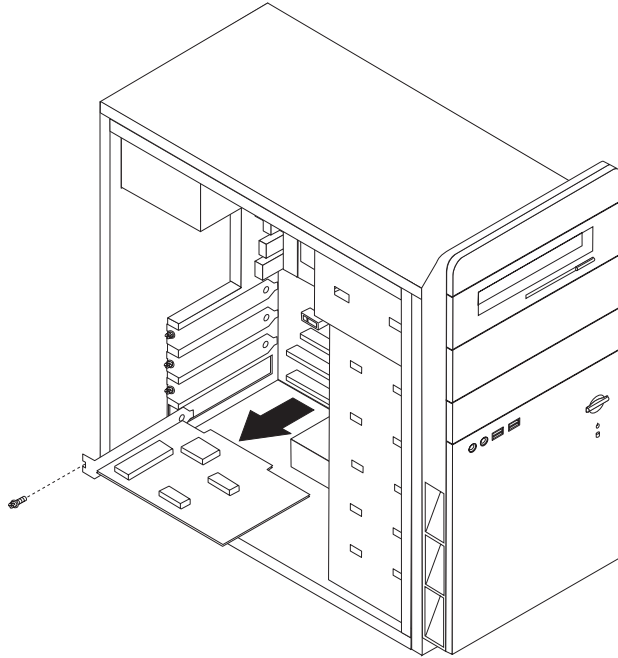
Replacing a PCI adapter

Attention

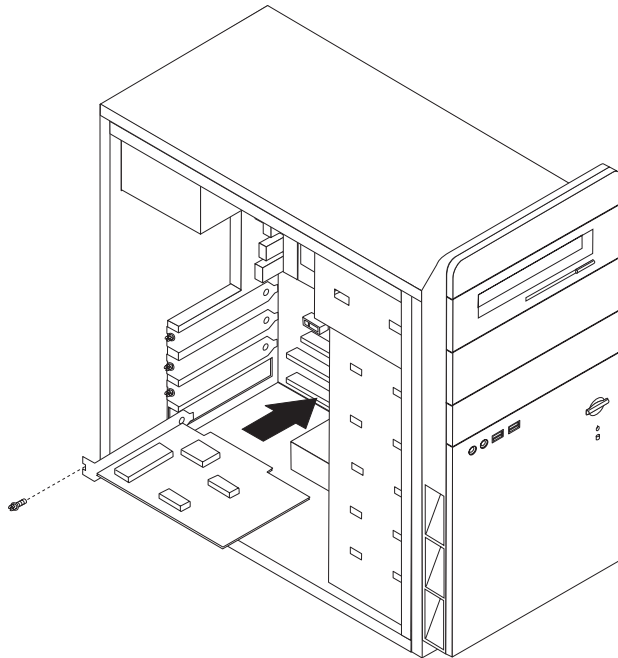
Do not open your computer or attempt any repair before reading the “Important safety information” in the *Safety and Warranty Guide* that was included with your computer. To obtain copies of the *Safety and Warranty Guide*, go to <http://www.lenovo.com/support>.

This section provides instructions on how to replace a PCI adapter.

1. Remove the computer cover. See “Removing the cover” on page 7.
2. Remove the screw securing the adapter in the connector.
3. Remove the adapter being replaced.



4. Remove the new adapter from its static-protective package.
5. Install the new adapter into the appropriate slot on the system board.
6. Install the screw to secure the new adapter.



7. Go to “Completing the parts replacement” on page 12.

Replacing a keyboard

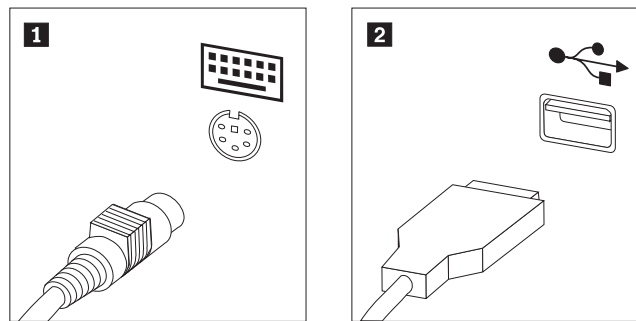
Attention

Do not open your computer or attempt any repair before reading the “Important safety information” in the *Safety and Warranty Guide* that was included with your computer. To obtain copies of the *Safety and Warranty Guide*, go to <http://www.lenovo.com/support>.

This section provides instructions on how to replace a keyboard.

1. Remove any media (diskettes, CDs, or tapes) from the drives, shut down your operating system, and turn off all attached devices.
2. Unplug all power cords from electrical outlets.
3. Locate the keyboard connector.

Note: Your keyboard might be connected to a standard keyboard connector **1** or a USB connector **2**. Depending on where your keyboard is connected, see “Locating the connectors on the rear of your computer” on page 2 or “Locating the connectors on the front of your computer” on page 1.



4. Disconnect the failing keyboard cable from the computer.
5. Connect the new keyboard to the appropriate connector on the computer.
6. Go to “Completing the parts replacement” on page 12.

Replacing a mouse

Attention

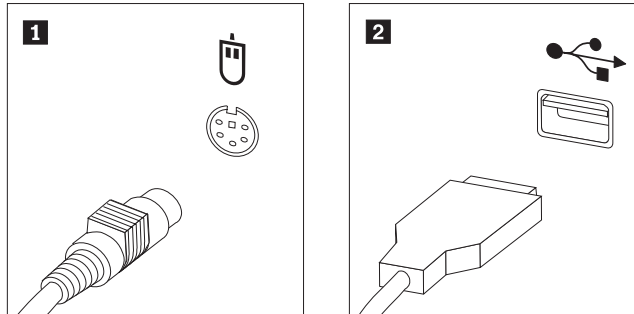
Do not open your computer or attempt any repair before reading the “Important safety information” in the *Safety and Warranty Guide* that was included with your computer. To obtain copies of the *Safety and Warranty Guide*, go to <http://www.lenovo.com/support>.

This section provides instructions on how to replace a mouse.

1. Remove any media (diskettes, CDs, or tapes) from the drives, shut down your operating system, and turn off all attached devices.
2. Unplug all power cords from electrical outlets.

3. Locate the mouse connector.

Note: Your mouse might be connected to a standard mouse connector **1** or a USB connector **2** in the front or rear of your computer. See “Locating the connectors on the rear of your computer” on page 2 or “Locating the connectors on the front of your computer” on page 1.



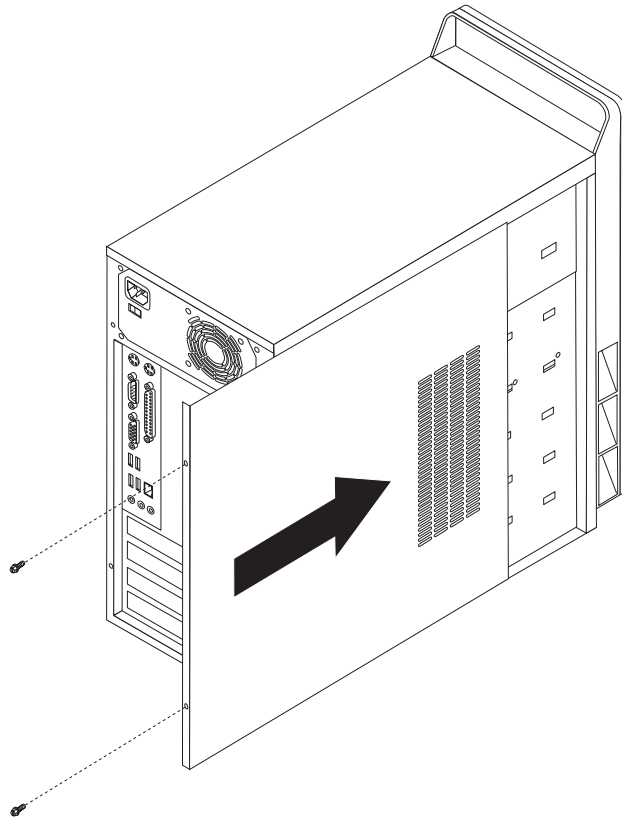
4. Disconnect the failing mouse cable from the computer.
5. Connect the new mouse to the appropriate connector on the computer.
6. Go to “Completing the parts replacement.”

Completing the parts replacement

After working with parts, you need to replace the computer cover and reconnect any cables, including telephone lines and power cords. Also, depending on the part that was replaced, you might need to confirm the updated information in the Setup Utility program.

1. Ensure that all components have been reassembled correctly and that no tools or loose screws are left inside your computer.
2. Reposition any cables that might impede the replacement of the cover.

3. Position the computer cover on the chassis so that the rail guides on the bottom of the cover engage the rails and push the cover to the closed position. Install the two screws that secure the computer cover.



4. Install any locking devices such as a padlock as necessary.
5. Reconnect the external cables and power cords to the computer. See "Locating the connectors on the rear of your computer" on page 2.
6. To update the configuration, see "Using the Setup Utility" in the *User Guide* that was included with your computer.

Note: In most areas of the world, Lenovo requires the return of the defective CRU. Information about this will come with the CRU or will come a few days after the CRU arrives.

Appendix. Notices

Lenovo may not offer the products, services, or features discussed in this document in all countries. Consult your local Lenovo representative for information on the products and services currently available in your area. Any reference to a Lenovo product, program, or service is not intended to state or imply that only that Lenovo product, program, or service may be used. Any functionally equivalent product, program, or service that does not infringe any Lenovo intellectual property right may be used instead. However, it is the user's responsibility to evaluate and verify the operation of any other product, program, or service.

Lenovo may have patents or pending patent applications covering subject matter described in this document. The furnishing of this document does not give you any license to these patents. You can send license inquiries, in writing, to:

*Lenovo (United States), Inc.
500 Park Offices Drive, Hwy. 54
Research Triangle Park, NC 27709
U.S.A.
Attention: Lenovo Director of Licensing*

LENOVO GROUP LTD. PROVIDES THIS PUBLICATION "AS IS" WITHOUT WARRANTY OF ANY KIND, EITHER EXPRESS OR IMPLIED, INCLUDING, BUT NOT LIMITED TO, THE IMPLIED WARRANTIES OF NON-INFRINGEMENT, MERCHANTABILITY OR FITNESS FOR A PARTICULAR PURPOSE. Some jurisdictions do not allow disclaimer of express or implied warranties in certain transactions, therefore, this statement may not apply to you.

This information could include technical inaccuracies or typographical errors. Changes are periodically made to the information herein; these changes will be incorporated in new editions of the publication. Lenovo may make improvements and/or changes in the product(s) and/or the program(s) described in this publication at any time without notice.

The products described in this document are not intended for use in implantation or other life support applications where malfunction may result in injury or death to persons. The information contained in this document does not affect or change Lenovo product specifications or warranties. Nothing in this document shall operate as an express or implied license or indemnity under the intellectual property rights of Lenovo or third parties. All information contained in this document was obtained in specific environments and is presented as an illustration. The result obtained in other operating environments may vary.

Lenovo may use or distribute any of the information you supply in any way it believes appropriate without incurring any obligation to you.

Any references in this publication to non-Lenovo Web sites are provided for convenience only and do not in any manner serve as an endorsement of those Web sites. The materials at those Web sites are not part of the materials for this Lenovo product, and use of those Web sites is at your own risk.

Any performance data contained herein was determined in a controlled environment. Therefore, the result obtained in other operating environments may

vary significantly. Some measurements may have been made on development-level systems and there is no guarantee that these measurements will be the same on generally available systems. Furthermore, some measurements may have been estimated through extrapolation. Actual results may vary. Users of this document should verify the applicable data for their specific environment.

Television output notice

The following notice applies to models that have the factory-installed television-output feature.

This product incorporates copyright protection technology that is protected by method claims of certain U.S. patents and other intellectual property rights owned by Macrovision Corporation and other rights owners. Use of this copyright protection technology must be authorized by Macrovision Corporation, and is intended for home and other limited viewing uses only unless otherwise authorized by Macrovision Corporation. Reverse engineering or disassembly is prohibited.

Trademarks

Lenovo and the Lenovo logo are trademarks of Lenovo in the United States, other countries, or both.

IBM is a trademark of the International Business Machines Corporation in the United States, other countries, or both.

Other company, product, or service names may be trademarks or service marks of others.

lenovo

Part Number: 41X8111

Printed in USA

(1P) P/N: 41X8111



Free Manuals Download Website

<http://myh66.com>

<http://usermanuals.us>

<http://www.somanuals.com>

<http://www.4manuals.cc>

<http://www.manual-lib.com>

<http://www.404manual.com>

<http://www.luxmanual.com>

<http://aubethermostatmanual.com>

Golf course search by state

<http://golfingnear.com>

Email search by domain

<http://emailbydomain.com>

Auto manuals search

<http://auto.somanuals.com>

TV manuals search

<http://tv.somanuals.com>