



# Room Air Conditioner

## SVC MANUAL(Exploded View)

**MODEL : AS-W1838\*H0 (LAN185HV / LAU185HV)**  
**AS-W2438\*H0 (LAN245HV / LAU245HV)**

### **CAUTION**

Before Servicing the unit, read the safety precautions in General SVC manual.  
Only for authorized service personnel.

# 1. Specification

Models		AS-W1838RH0 [LA185HV]	AS-W2438RH0 [LA245HV]	
Cooling Capacity		kW 1.76~5.28~5.80	3.87~7.03~7.74	
Heating Capacity		Btu/h. 6,005~18,000~19,790	13,200~24,000~26,400	
		kW 1.40~6.07~6.65	3.37~8.09~8.88	
Power Input	Cooling/Heating	Btu/h. 4,776~20,700~22,690	11,500~27,600~30,300	
		W 1,640/1,770	2,450/2,900	
Running Current	Cooling/Heating	A 7.3/8.3	11.0/13.0	
Starting Current	Cooling/Heating	A 7.3/8.3	11.0/13.0	
EER		W/W 3.22	2.87	
		Btu/h.W 11.0	9.8	
COP		W/W 3.43	2.79	
Power Supply		Ø / V / Hz 1/208-230/60	1/208-230/60	
Power Factor		% 98	97	
Air Flow Rate	Indoor.Max	m3/min(CFM) 18.5(650)	20.3(717)	
	Outdoor.Max	m3/min(CFM) 42(1,483)	58(2,048)	
Moisture Removal		l/h. 2.1	2.7	
Sound Level	Indoor,H/ML	dB(A)+3 40/38/34	45/40/37	
	Outdoor.Max	dB(A)+3 53	54	
Refrigerant & Additional	Charge (at 7.5 m)	g(oz) R410A, 1,200(42)	R410A, 1,800(63.5)	
Compressor	Refrigerant charge	g/m(oz/ft) 20(0.22)	30(0.32)	
	Type	Rotary	Rotary	
	Model	5CS130XCA03	5KD240XCA21	
	Motor Type	BLDC	BLDC	
	Oil Type	RB68A	FV50S	
	Oil Charge	cc 360	900	
	O.L.P. name	-	-	
Fan(Indoor)	Type	Cross Flow Fan	Cross Flow Fan	
	Motor Output	W 20	24	
Fan(Outdoor)	Type	Propeller	Propeller	
	Motor Type	AC Induction	AC Induction	
	Motor Output	W 79	79	
Circuit Breaker*		A 20	25	
Power Supply Cable		AWG 14	12	
Power and Transmission	Cable No.*mm2+	AWG 18	18	
Piping Connections	Liquid Side	mm(in) 6.35(1/4)	9.52(3/8)	
	Gas Side	mm(in) 12.7(1/2)	15.88(5/8)	
Drain Hose	O.D., I.D.	mm(in) 21.5, 16(0.85, 0.63)	21.5, 16(0.85, 0.63)	
Dimensions	Indoor (W*H*D)	mm 1,107*299*200	1,107*299*200	
		inch 43.6*11.8*7.9	43.6*11.8*7.9	
	Outdoor (W*H*D)	mm 870*655*320	870*800*320	
	inch 34.3*25.8*12.6	34.3*34.6*12.6		
Net Weight	Indoor	kg(lbs) 14.1(31.1)	14.1(31.1)	
	Outdoor	kg(lbs) 46(101.4)	60(132.3)	
Operation Range	Cooling(Outdoor)	°C(°F) -10 ~ 46 (14.0~114.8)(Low Ambient)	-10 ~ 46 (14.0~114.8)(Low Ambient)	
	Heating(Outdoor)	°C(°F) -10 ~ 24 (14.0 ~ 75.2)	-10 ~ 24 (14.0 ~ 75.2)	
Max. Piping Length		m(ft) 15(49)	30(98)	
Max. Elevation Difference		m(ft) 7(23)	15(49)	
Tool Code(Chassis)	Indoor + Outdoor	S8 + UE	S8 + UE1	
Functions	Temperature Control	Thermistor	Thermistor	
	Plasma Filter	NEO	NEO	
	Prefilter(washable/anti-fungus)	O	O	
	Auto Clean	O	O	
	CHAOS Wind(Auto Wind)	O	O	
	Steps, Fan/Cool/Heat	3/4/4	3/4/4	
	Airflow Direction Control(up & Down)	Auto	Auto	
	Airflow Direction Control(left & right)	Auto	Auto	
	Remote Controller Type	Wireless LCD	Wireless LCD	
	Setting Temperature Range	Cooling	18 ~ 30 (64~86)	18 ~ 30 (64~86)
		Heating	16 ~ 30 (60~86)	16 ~ 30 (60~86)
	Auto Operation (Micom Control)	-	-	
	Auto Changeover (Micom Control)	O	O	
	Self Diagnosis	O	O	
	Timer	24h On/Off	24h On/Off	
	Sleep Operation	O	O	
	Soft Dry Operation	O	O	
	Restart Delay(minute)	2	2	
	Deice Control(Defrost)	O	O	
	Hot Start	O	O	
	Jet Cool / Heat	O	O	
	Low Ambient Operation	O	O	
	Special Function	-	-	
	Network Functions	Dry Contact	-	-
		Network Solution	-	-
		PI485	-	-

**Note:**

O : Applied, - : No relation

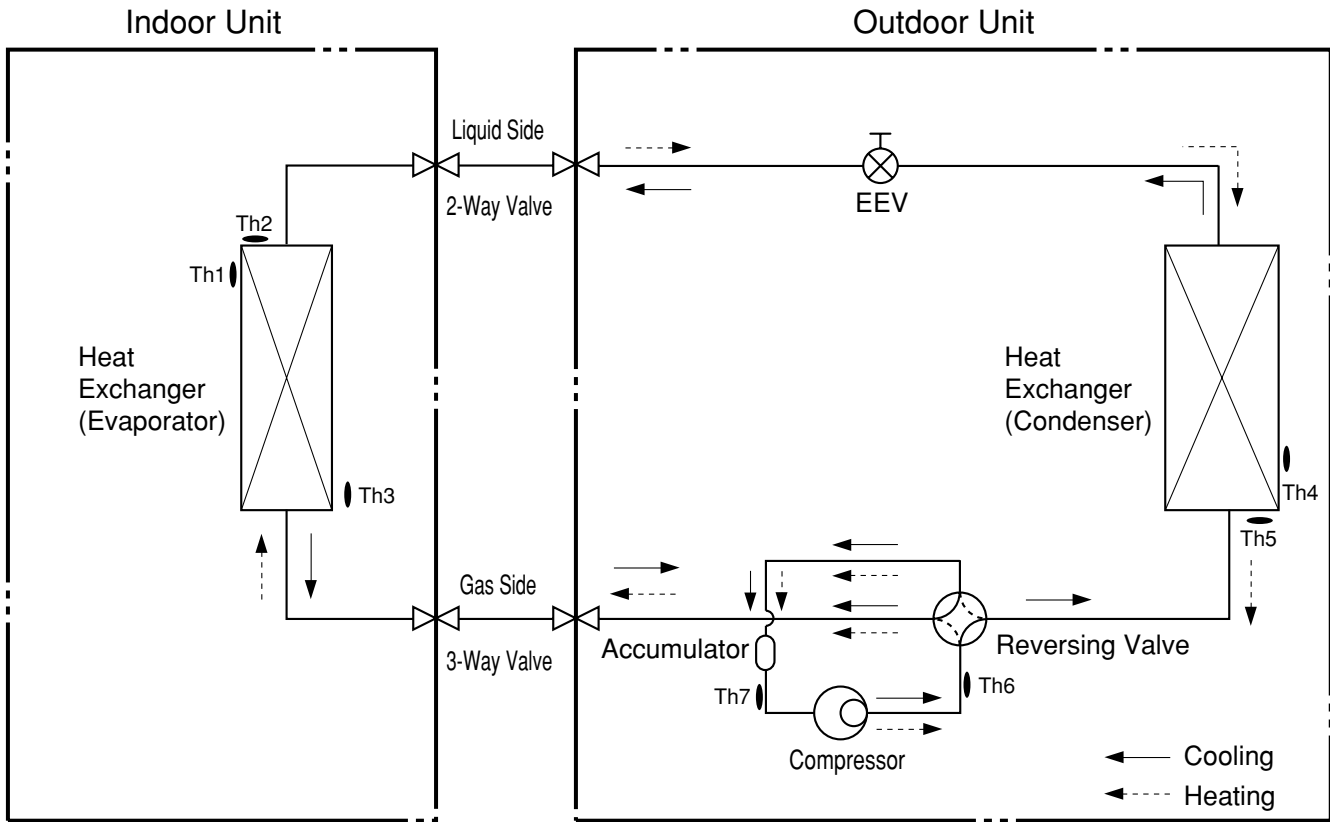
\* For circuit breaker rating, please conform to local standards wherever necessary.

\* Some of functions are slightly different depending upon models.

\* The specification may be subject to change without prior notice for purpose of improvement.

\* Capacity : based on 230V

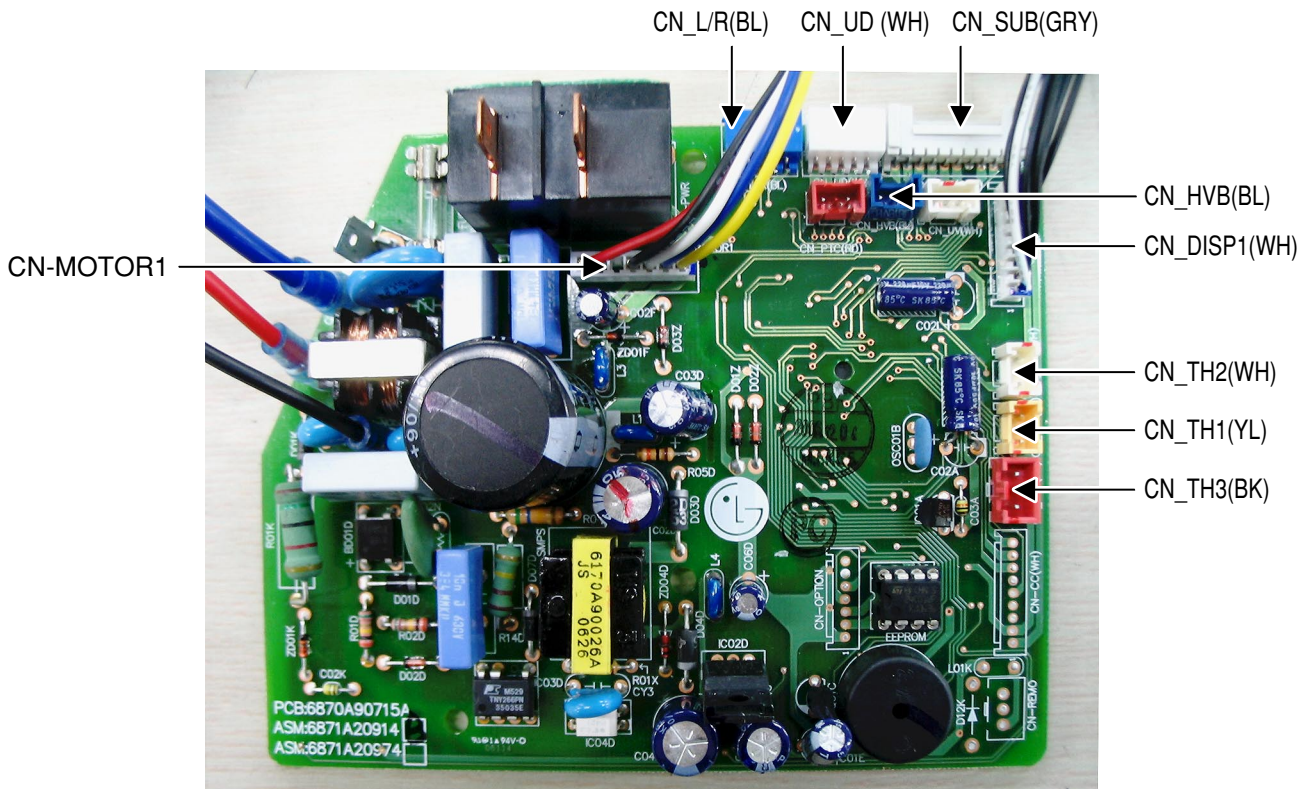
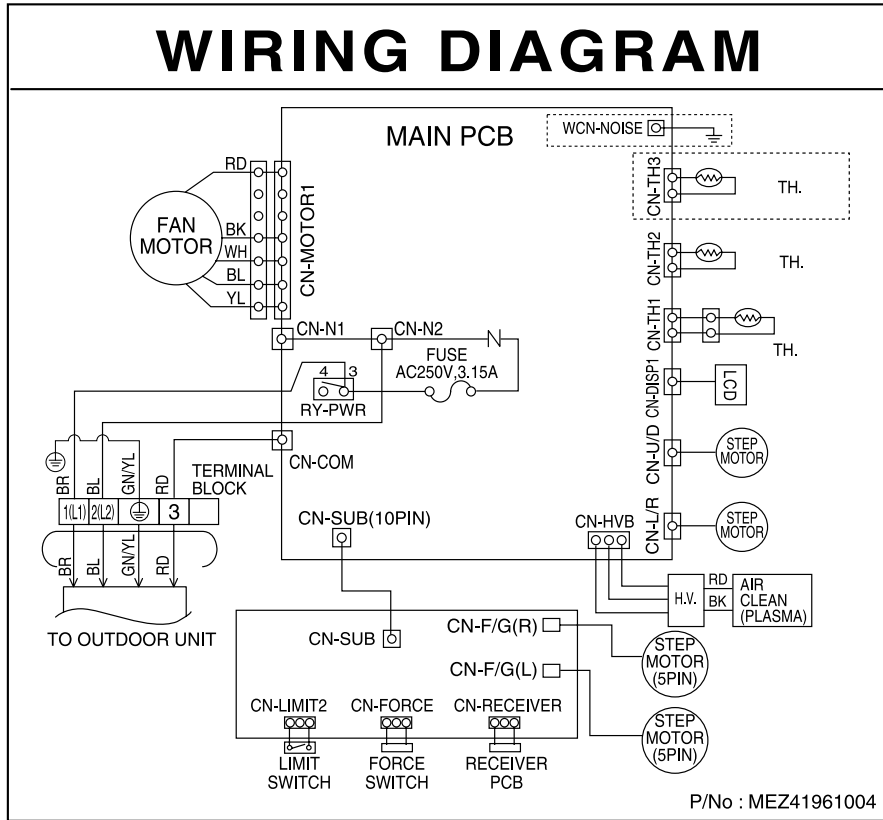
## 2. Piping Diagrams



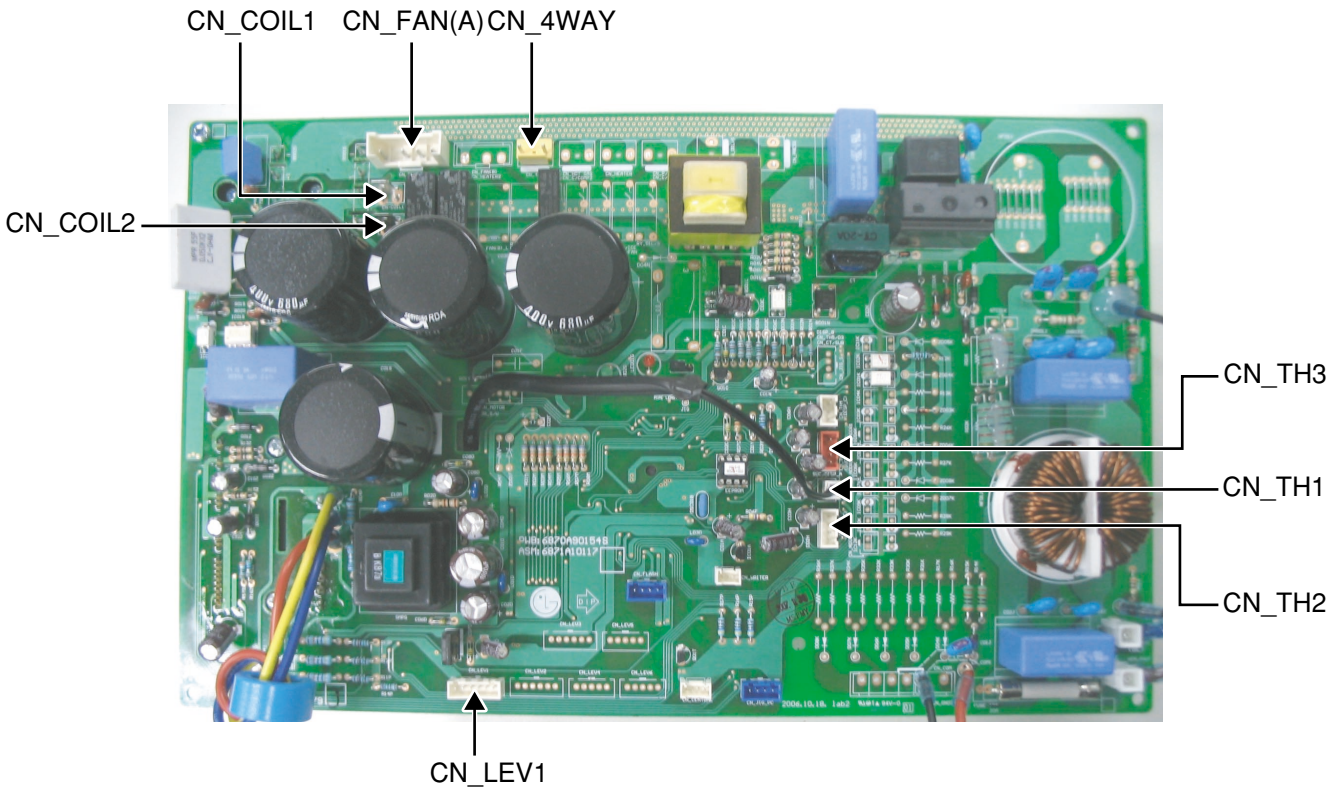
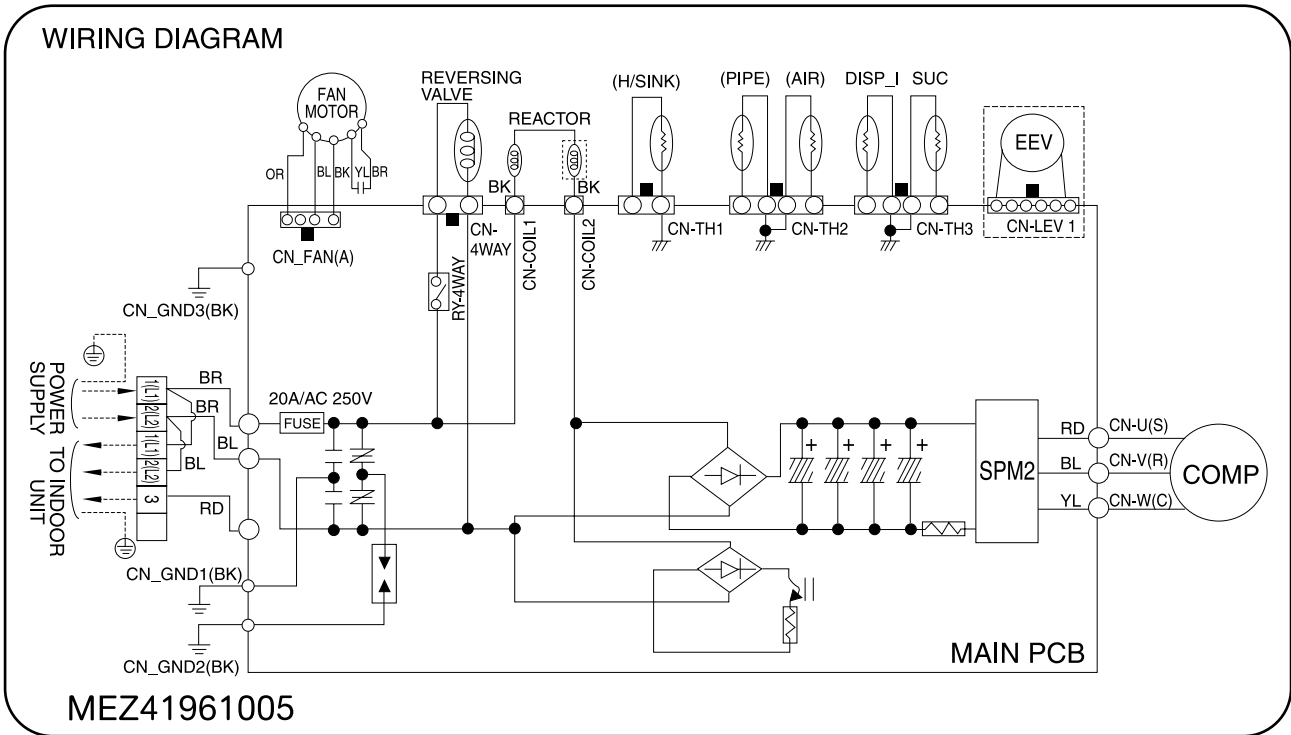
LOC.	Description	PCB Connector
Th1	Thermistor for indoor air temperature	CN_TH1(INDOOR)
Th2	Thermistor for evaporating temperature	CN_TH2(INDOOR)
Th3		CN_TH3(INDOOR)
Th4	Thermistor for outdoor air temperature	CN_TH2(OUTDOOR)
Th5	Thermistor for condensing temperature	
Th6	Thermistor for discharge pipe temperature	CN_TH3(OUTDOOR)
Th7	Thermistor for suction pipe temperature	

### 3. Wiring Diagrams

#### Indoor Unit

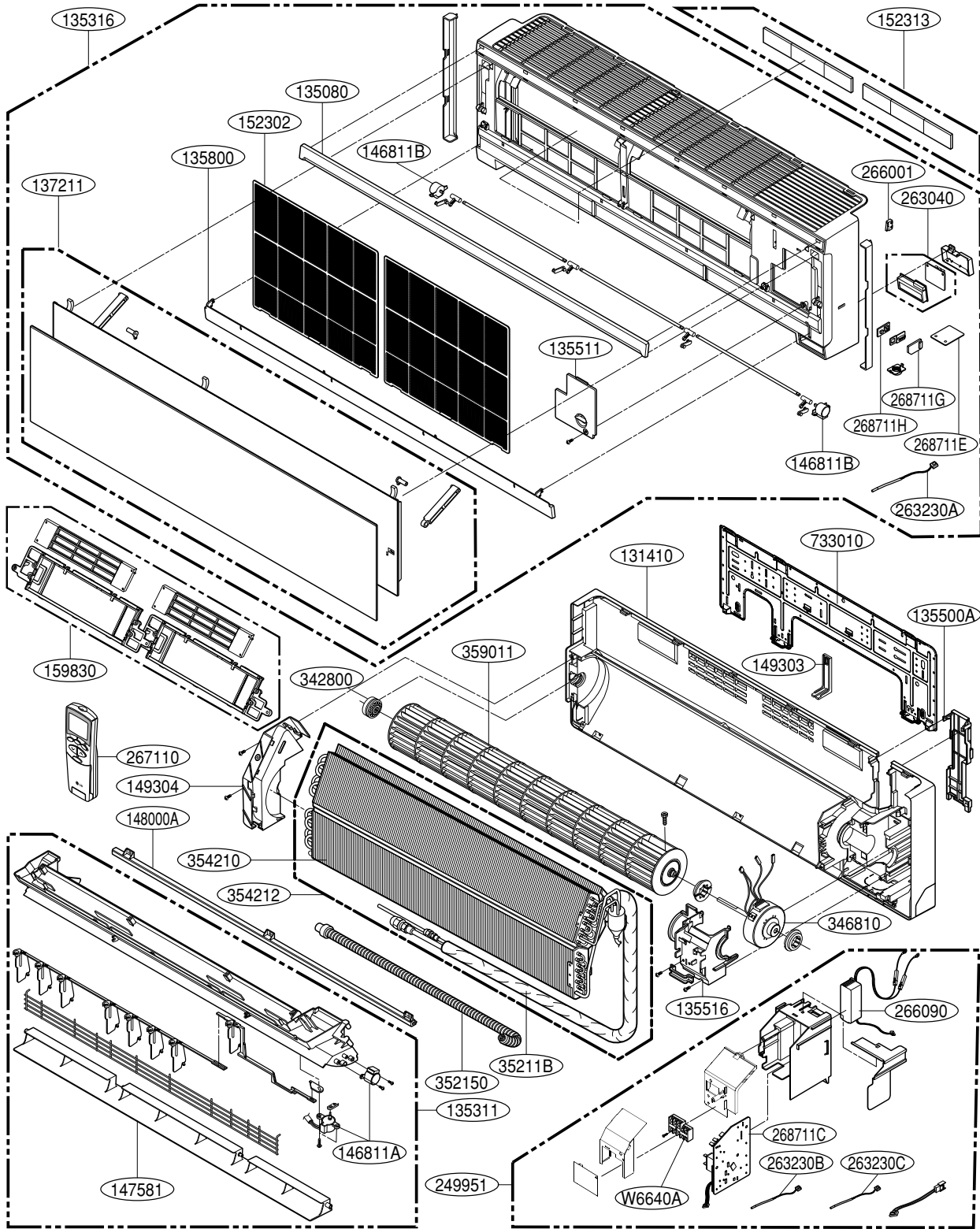


# Outdoor Unit



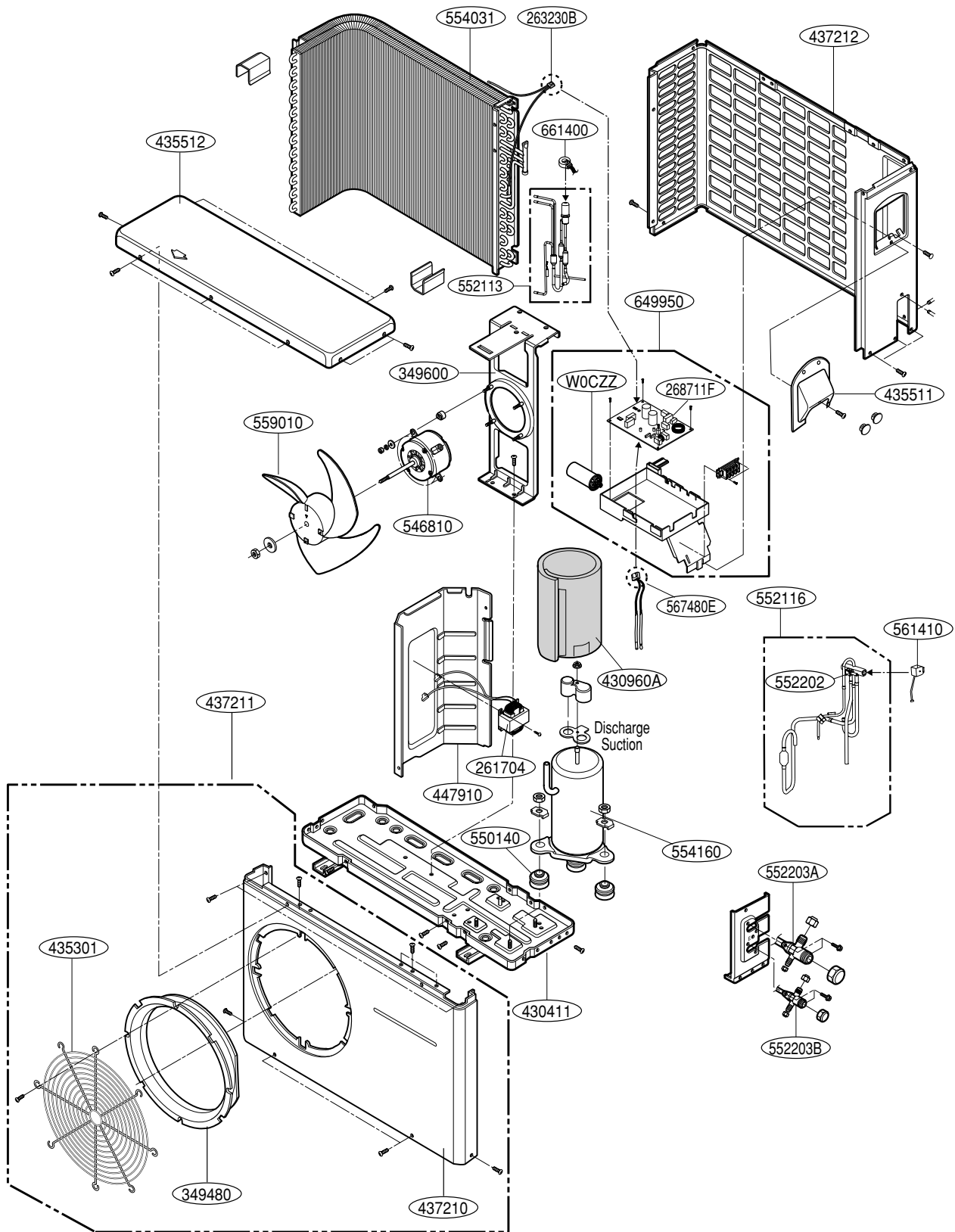
## 4. Exploded View

### Indoor Unit



Note) \* Please ensure GCSC since the replacement parts may be changed depending upon the buyer's request.  
Please check the correct parts in View RPL(Replacement Part List) on GCSC.  
(GCSC Website <http://biz.Lgservice.com>.)

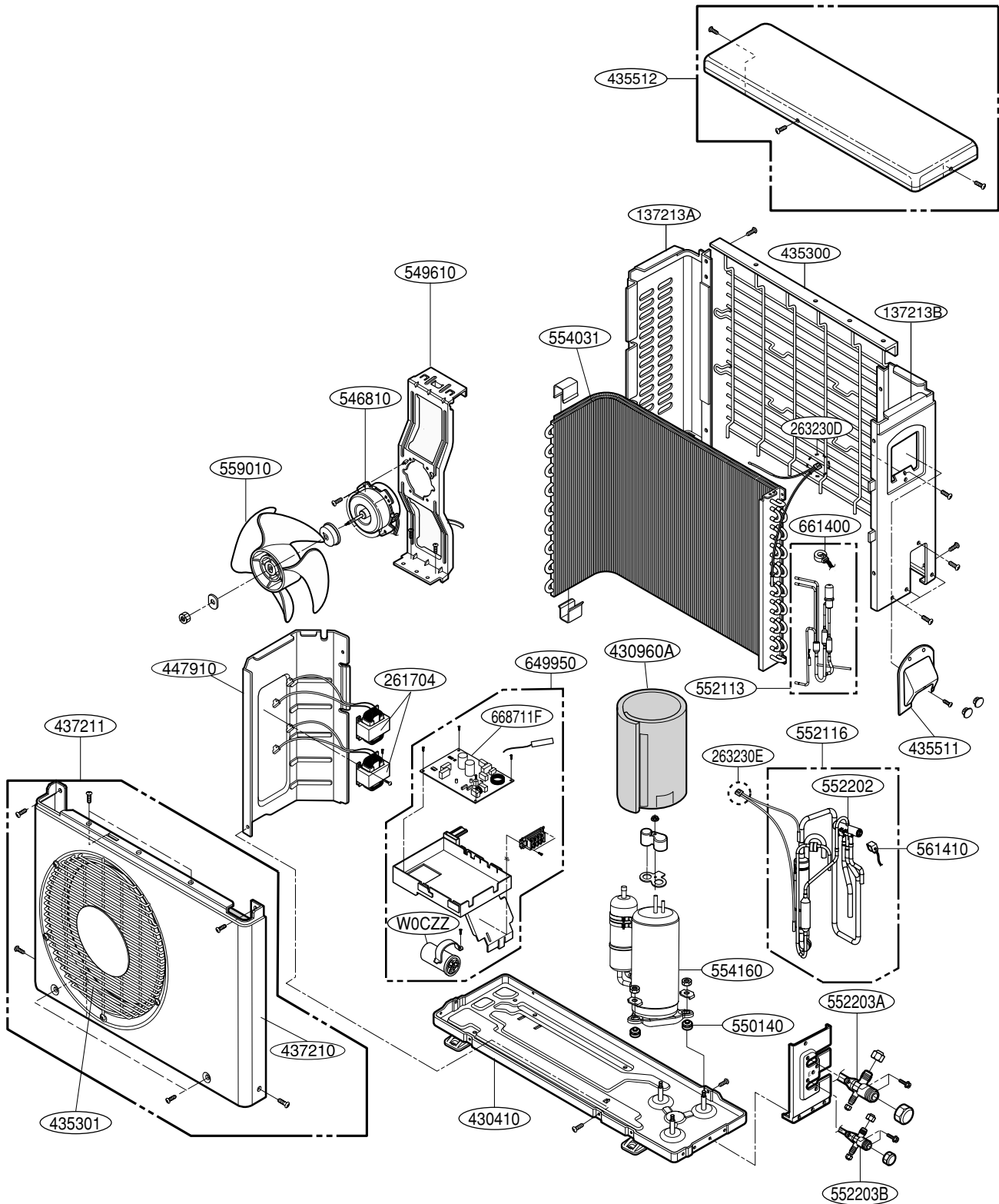
# Outdoor Unit 18k



Note) \* Please ensure GCSC since the replacement parts may be changed depending upon the buyer's request. Please check the correct parts in View RPL(Replacement Part List) on GCSC. (GCSC Website <http://biz.Lgservice.com>,)



# Outdoor Unit 24k



Note) \* Please ensure GCSC since the replacement parts may be changed depending upon the buyer's request.  
 Please check the correct parts in View RPL(Replacement Part List) on GCSC.  
 (GCSC Website <http://biz.lgservice.com>.)





P/NO : MFL42286407

January, 2008

## Free Manuals Download Website

<http://myh66.com>

<http://usermanuals.us>

<http://www.somanuals.com>

<http://www.4manuals.cc>

<http://www.manual-lib.com>

<http://www.404manual.com>

<http://www.luxmanual.com>

<http://aubethermostatmanual.com>

Golf course search by state

<http://golfingnear.com>

Email search by domain

<http://emailbydomain.com>

Auto manuals search

<http://auto.somanuals.com>

TV manuals search

<http://tv.somanuals.com>