



website <http://www.LGService.com>
e-mail <http://www.LGService.com/techsup.html>

Room Air Conditioner

SERVICE MANUAL

CAUTION

- BEFORE SERVICING THE UNIT, READ THE SAFETY PRECAUTIONS IN THIS MANUAL.
- ONLY FOR AUTHORIZED SERVICE.

	W081CA sg2	W182CA TSN0
MODEL:	W091CA TSG0	W182CM TSN0
	W092CA TSG0	W182CMH TSN1
	W121CA TSC2	W242CA TSN0
	W122CM TSC0	W242CM TSN0
	W121CM sc2	W081CM TSG2
	W121CMH sc3	W121CMH sc3
	W122CM sc0	W242CM TSN2
	W122CMH sc1	W242CA TSN2
	W121CM SC4	



CONTENTS

1. PREFACE	
1.1 SAFETY PRECAUTIONS.....	2
1.2 INSULATION RESISTANCE TEST.....	2
1.3 SPECIFICATIONS.....	3
1.4 FEATURES.....	3
1.5 CONTROL LOCATIONS	4
2. DISASSEMBLY INSTRUCTIONS	
2.1 MECHANICAL PARTS	6
2.1.1 FRONT GRILLE	6
2.1.2 CABINET	6
2.1.3 CONTROL BOX	6
2.2 AIR HANDLING PARTS	7
2.2.1 AIR GUIDE AND BLOWER	7
2.2.2 FAN	7
2.2.3 SHROUD	8
2.3 ELECTRICAL PARTS.....	8
2.3.1 OVERLOAD PROTECTOR	8
2.3.2 COMPRESSOR.....	8
2.3.3 CAPACITOR.....	9
2.3.4 POWER CORD	9
2.3.5 THERMOSTAT	9
2.3.6 ROTARY SWITCH	9
2.3.7 MOTOR	10
2.4 REFRIGERATION CYCLE	10
2.4.1 CONDENSER.....	10
2.4.2 EVAPORATOR.....	10
2.4.3 CAPILLARY TUBE	11
3. INSTALLATION	
3.1 SELECT THE BEST LOCATION.....	13
3.2 CHECK OF INSTALLATION.....	13
3.3 HOW TO DRAIN.....	13
3.4 HOW TO INSTALL	14
3.4.1 WHEN USING GASKET.....	14
3.4.2 WHEN USING INSTALLATION KITS...14	
3.5 HOW TO USE THE REVERSIBLE INLET GRILLE	15
4. TROUBLESHOOTING GUIDE	
4.1 OUTSIDE DIMENSIONS	16
4.2 PIPING SYSTEM.....	16
4.3 TROUBLESHOOTING GUIDE	17
5. SCHEMATIC DIAGRAM	
5.1 CIRCUIT DIAGRAM	29
5.2 ELECTRONIC CONTROL DEVICE.....	31
5.3 COMPONENTS LOCATION(FOR MAIN P.C.B ASM) ..32	
6. EXPLODED VIEW	33
7. REPLACEMENT PARTS LIST	34

1. PREFACE

This SERVICE MANUAL provides various service information, including the mechanical and electrical parts etc. This room air conditioner was manufactured and assembled under a strict quality control system. The refrigerant is charged at the factory. Be sure to read the safety precautions prior to servicing the unit.

1.1 SAFETY PRECAUTIONS

- When servicing the unit, set the ROTARY SWITCH or POWER SWITCH to OFF and unplug the power cord.
- Observe the original lead dress.
If a short circuit is found, replace all parts which have been overheated or damaged by the short circuit.
- After servicing the unit, make an insulation resistance test to protect the customer from being exposed to shock hazards.

1.2 INSULATION RESISTANCE TEST

- Unplug the power cord and connect a jumper between 2 pins (black and white).
- The grounding conductor (green) is to be open.
- Measure the resistance value with an ohm meter between the jumpered lead and each exposed metallic part on the equipment at all the positions (except OFF) of the ROTARY SWITCH.
- The value should be over 1MΩ.



1.3 SPECIFICATIONS

MODEL		W081CA SC2	W081CM. TSG2	W21CM SC2 W121CM SC4	W21CMH SC3
ITEM					
POWER SUPPLY		1Ø, 115V, 60Hz			
COOLING CAPACITY (Btu/h)		8 000		12 000	
INPUT (W)		820		1200	
RUNNING CURRENT (A)		7.6		11	
E.E.R (BTU/W h)		9.8		10.8	
OPERATING CONDITION		INDOOR (°C)		26.7(DB) , 19.4(WB)	
		OUTDOOR (°C)		35(DB) , 23.9(WB)	
REFRIGERANT (R-22) CHARGE		260g(9.2oz)		375g(13.2oz)	
EVAPORATOR		2R 14STACKS		2R 16STACKS	
CONDENSER		2R 16STACKS		2R 18STACKS	
FAN, INDOOR		TURBO			
FAN, OUTDOOR		PROPELLER TYPE FAN WITH SLINGER-FIN			
FAN SPEEDS, FAN COOLING		2/3		3/3	
FAN MOTOR		6 POLES			
OPERATION CONTROL		ROTARY SWITCH		REMOTE CONTROLLER	
ROOM TEMP. CONTROL		THERMOSTAT		THERMISTOR	
AIR DIRECTION CONTROL		VERTICAL LOUVER (RIGHT&LEFT)			
		HORIZONTAL LOUVER (UP&DOWN)			
CONSTRUCTION		SLIDE IN-OUT CHASSIS			
PROTECTOR		COMPRESSOR OVERLOAD PROTECTOR			
		FAN MOTOR INTERNAL THERMAL PROTECTOR			
POWER CORD		(3 WIRE WITH GROUNDING)			
		ATTACHMENT PLUG (CORD CONNECTED TYPE)			
DRAIN SYSTEM		DRAIN PIPE OR SPLASHED BY FAN SLINGER			
NET WEIGHT (lbs/ kg)		71/ 32.2		82/ 37.2	
OUTSIDE DIMENSION (W×H×D)		(inch)		181/2" × 137/8" × 2011/16"	
		(mm)		470×353×525	
				235/8" × 1431/32" × 225/16"	
				600×380×567	

* DB: Dry Bulb

**WB: Wet Bulb



1.3 SPECIFICATIONS

ITEM		MODEL	W22QM sc0	W22QM sc1
POWER SUPPLY			1Ø, 220V, 60Hz	
COOLING CAPACITY (Btu/h)			12 000	
INPUT (W)			1220	1110
RUNNING CURRENT (A)			5.5	5.1
E.E.R (BTU/W.h)			9.8	10.8
OPERATING CONDITION		INDOOR (°C)	26.7 (DB), 19.4 (WB)	
		OUTDOOR (°C)	35 (DB), 23.9 (WB)	
REFRIGERANT (R-22) CHARGE			395g (13.9oz)	495g (17.5oz)
EVAPORATOR			2R 13STACKS	
CONDENSER			2R 18STACKS	2R 17STACKS
FAN, INDOOR			TURBO	
FAN, OUTDOOR			PROPELLER TYPE FAN WITH SLINGER-FINING	
FAN SPEEDS, FAN COOLING			3/3	
FAN MOTOR			6 POLES	
OPERATION CONTROL			REMOTE CONTROLLER	
ROOM TEMP. CONTROL			THERMISTOR	
AIR DIRECTION CONTROL			VERTICAL LOUVER (RIGHT&LEFT)	
			HORIZONTAL LOUVER (UP&DOWN)	
CONSTRUCTION			SLIDE IN-OUT CHASSIS	
PROTECTOR		COMPRESSOR	OVERLOAD PROTECTOR	
		FAN MOTOR	INTERNAL THERMAL PROTECTOR	
POWER CORD			(3 WIRE WITH GROUNDING)	
			ATTACHMENT PLUG (CORD-CONNECTED TYPE)	
DRAIN SYSTEM			DRAIN PIPE OR SPLASHED BY FAN SLINGER	
NET WEIGHT (lbs/ kg)			82/ 37.2	
OUTSIDE DIMENSION (W×H×D)		(inch)	235/8" × 1431/32" × 225/16"	
		(mm)	600 × 380 × 567	

* DB: Dry Bulb

**WB: Wet Bulb



1.3 SPECIFICATIONS

ITEM		MODEL			
		W091CA.TSG0	W092CA.TSG0	W121CA.TSC2	W122CA.TSC0
POWER SUPPLY		1Φ, 115V,60Hz	1Φ, 220V,60Hz	1Φ, 115V,60Hz	1Φ, 220V,60Hz
COOLING CAPACITY (Btu/h)		9000		12000	
INPUT (W)		1000		1220	
RUNNING CURRENT (A)		9.2	4.3	11	5.5
E.E.R (Btu/W.h)		9		9.8	
OPERATING	INDOOR (°C)	26.7(DB) ,19.4(WB)			
CONDITION	OUTDOOR (°C)	35.0(DB) ,23.9(WB)			
REFIGERANT(R-22) CHARGE		350g(12.3oz)	365g(12.9)	375g(13.2)	395g(13.9)
EVAPORATOR		2R 12STACKS		2R 16STACKS	2R 13STACKS
CONDENSER		2R 16STACKS	1R 16STACKS	2R 18STACKS	
FAN,INDOOR		TURBO			
FAN,OUTDOOR		PROPELLER TYPE FAN WITH SLINGER-ING			
FAN,SPEEDS,FAN/COOLING		2/3		3/3	
FAN MOTOR		6 POLES			
OPERATION CONTROL		ROTARY SWITCH			
ROOM TEMP,CONTROL		THERMOSTAT			
AIR DIRECTION CONTROL		VERTICAL LOUVER (RIGHT&LEFT)			
		HORIZONTAL LOUVER (UP&DOWN)			
CONSTRUCTION		SLIDE IN-OUT CHASSIS			
PROTECTOR	COMPRESSOR	OVERLOAD PROTECTOR			
	FAN MOTOR	INTERNAL THERMAL PROTECTOR			
POWER CORD		(3 WORE WITH GROUNDING)			
		ATTACHMENT PLUG (CORD-CONNECTED TYPE)			
DRAIN SYSTEM		DRAIN PIPE OR SPLASHED BY FAN SLINGER			
NET WEIGHT (lbs/kg)		71/32.2		82/37.2	
OUT SIDE DIMENSION(W*H*D)	(inch)	18 ¹ / ₂ "×13 ⁷ / ₈ "×20 ¹¹ / ₁₆ "		23 ⁵ / ₈ "×14 ³ / ₈ "×22 ⁵ / ₁₆ "	
	(mm)	470×353×525		600×380×561	

*DB: Dry Bulb
 *WB: Wet Bulb



1.3 SPECIFICATIONS

ITEM	MODEL		W0182CA.TSN0	W182CM.TSN0	W242CA.TSN0 W242CA.TSN2	W242CM.TSN0 W242CM.TSN2
	POWER SUPPLY	1F , 220V,60Hz				
COOLING CAPACITY (Btu/h)	18000			24000		
INPUT (W)	1850			2820		
RUNNING CURRENT (A)	8.6			12.9		
E.E.R (Btu/W.h)	9.7			8.5		
OPERATING CONDITION	INDOOR (°C)	26.7(DB) ,19.4(WB)				
	OUTDOOR (°C)	35.0(DB) ,23.9(WB)				
REFRIGERANT(R-22) CHARGE	720g(25.4oz)			830g(29.3oz)		
EVAPORATOR	2R 15STACKS			2R 16STACKS	2R 13STACKS	
CONDENSER	2R 16STACKS	1R 16STACKS		2R 18STACKS		
FAN,INDOOR	TURBO					
FAN,OUTDOOR	AXIAL					
FAN,SPEEDS,FAN/COOLING	2/3			3/3		
FAN MOTOR	6 POLES					
OPERATION CONTROL	ROTARY SWITCH					
ROOM TEMP,CONTROL	THERMOSTAT					
AIR DIRECTION CONTROL	VERTICAL LOUVER (RIGHT&LEFT) HORIZONTAL LOUVER (UP&DOWN)					
CONSTRUCTION	SLIDE IN-OUT CHASSIS					
PROTECTOR	COMPRESSOR	INTERNAL OVERLOAD PROTECTOR				
	FAN MOTOR	INTERNAL THERMAL PROTECTOR				
POWER CORD	(3 WORE WITH GROUNDING) ATTACHMENT PLUG (CORD-CONNECTED TYPE)					
DRAIN SYSTEM	DRAIN PIPE OR SPLASHED BY FAN SLINGER					
NET WEIGHT (lbs/kg)	65/29.5			67/30.4		
OUT SIDE DIMENSION(W*H*D)	(inch)	26×1627/32"×305/16"				
	(mm)	600×423×76				

*DB: Dry Bulb
*WB: Wet Bulb



1.3 SPECIFICATIONS

MODEL		W182CMH
ITEM		
POWER SUPPLY		1F , 220V~,60Hz
COOLING CAPACITY	(Btu/h)	17 800
INPUT	(W)	1 660
RUNNING CURRENT	(A)	7.4
OPERATING	INDOOR (°C)	26.7(DB) ,19.4(WB)
CONDITION	OUTDOOR (°C)	35.0(DB) ,23.9(WB)
REFIGERANT(R-22) CHARGE		7800g(27.5oz)
EVAPORATOR		P9.52 3R 15C
CONDENSER		P9.52 2R 16C
FAN,INDOOR		TURBO
FAN,OUTDOOR		PROPELLER TYPE FAN WITH SLINGER-RING
FAN,SPEEDS,FAN/COOLING		2/3
FAN MOTOR		6 POLES
OPERATION CONTROL		REMOTE
ROOM TEMP,CONTROL		THERMISTOR
AIR DIRECTION CONTROL		VERTICAL LOUVER (RIGHT&LEFT)
		HORIZONTAL LOUVER (UP&DOWN)
CONSTRUCTION		SLIDE IN-OUT CHASSIS
PROTECTOR	COMPRESSOR	INTERNAL OVERLOAD PROTECTOR
	FAN MOTOR	INTERNAL THERMAL PROTECTOR
POWER CORD		(3 WORE WITH GROUNDING)
		ATTACHMENT PLUG (CORD-CONNECTED TYPE)
DRAIN SYSTEM		DRAIN PIPE OR SPLASHED BY FAN SLINGER
NET WEIGHT	(1bs/kg)	130/60
OUT SIDE DIMENSION(W*H*D)	(inch)	26 x 16 27/32 x 30 5/16
	(mm)	660x428x770

*DB: Dry Bulb

*WB: Wet Bulb



1.4 FEATURES

- Designed for COOLING ONLY.
- Powerful and whispering cooling.
- Slide-in and slide-out chassis for the simple installation and service.
- Side air-intake, side cooled-air discharge.

- Built-in adjustable THERMOSTAT
- Washable one-touch filter
- Compact size
- Reliable and efficient rotary compressor is equipped.

1.5 CONTROL LOCATIONS

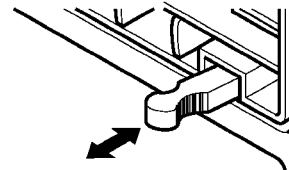
1.5.1 COOLING ONLY MODEL

• VENTILATION

The ventilation lever must be in the CLOSE position in order to maintain the best cooling conditions.

When a fresh air is necessary in the room, set the ventilation lever OPEN position.

The damper is opened and room air is exhausted.



CLOSE VENT OPEN

• THERMOSTAT

Thermostat will automatically control the temperature of the room. Select a higher number for a cooler temperature in the room. The temperature is selected by positioning the knob to the desired position.

The 5 or 6 position is a normal setting for average conditions.

• OPERATION

Off - Turns air conditioner off.

Med Fan - Med speed fan operation without cooling.

Low Fan - Low speed fan operation without cooling.

High Cool - Cooling with high speed fan operation.

Med Cool - Cooling with med speed fan operation.

Low Cool - Cooling with low speed fan operation.

• OPERATION

Off (○) : Turns the air conditioner off.

Low Fan (⊕) : Permits the low fan speed operation without cooling (heating).

Low Cool (*) : Permits cooling with the low fan speed operation.

High Cool (✱) : Permits cooling with the high fan speed operation.

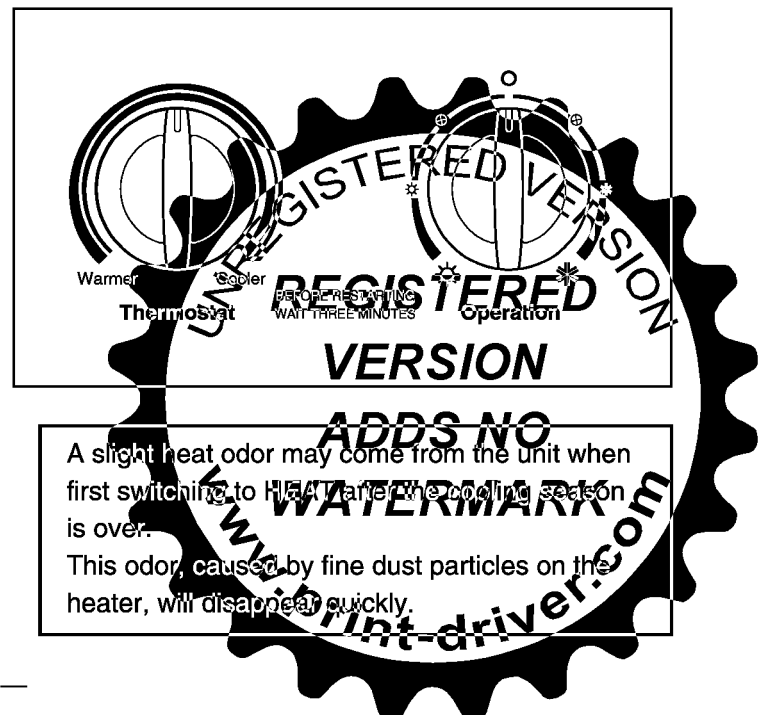
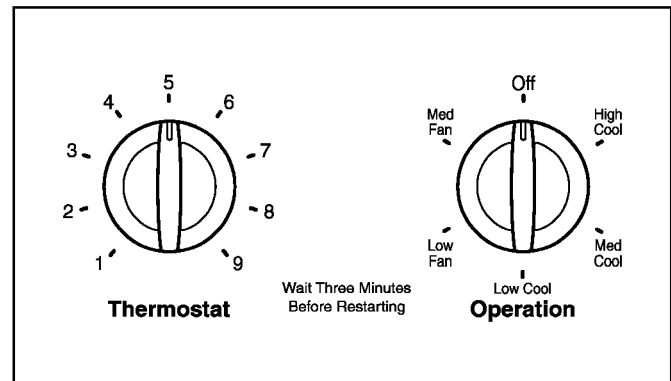
Low Heat (⊙) : Permits heating with the low fan speed operation.

High Heat (⊕) : Permits heating with the high fan speed operation.

• Auto Swing (For R1403/WR1210)

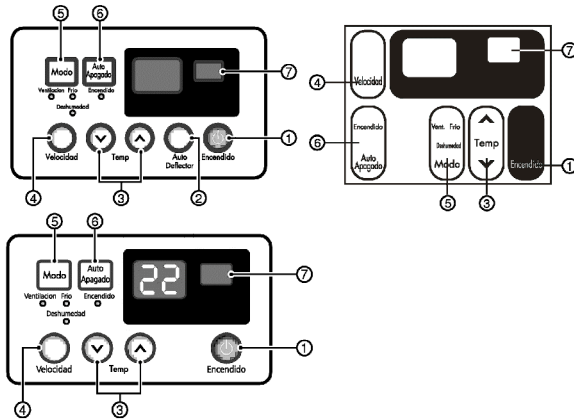
On: Air Swing is operated while operation knob is set to the Cool position

Off: Stops the operation of air swing.

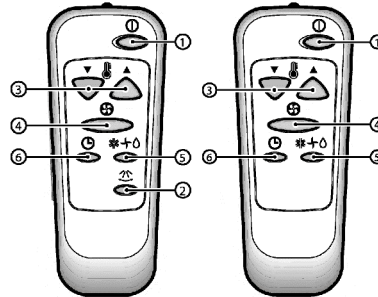


1.5.2 COOLING ONLY MODEL WITH REMOTE CONTROL AND TOUCH TYPE

DISPLAY



REMOTE CONTROL



Precaution: The Remote Control unit will not function properly if strong light strikes the sensor window of the air conditioner or if there are obstacles between the Remote Control unit and the air conditioner.

1 POWER BUTTON

To turn the air conditioner ON, push the button. To turn the air conditioner OFF, push the button again. This button takes priority over any other buttons.

2 OPERATION MODE SELECTION BUTTON

Every time you push this button, it will toggle COOL, FAN and DRY.

3 ON/OFF TIMER BUTTON

Everytime you push this button, timer is set as follows.(1Hours → 2Hours → 3Hours → 4Hours → 5Hours → 6Hours → 7Hours → 8Hours → 9Hours → 10Hours → 11Hours → 12Hours → Cancel)

4 FAN SPEED SELECTOR

Everytime you push this button, it is set as follows.
(High [F3] → Low [F1] → Med [F2] → High [F3]...)

5 ROOM TEMPERATURE SETTING BUTTON

This button can automatically control the temperature of the room.

The temperature can be set within a range of 16°C to 30°C by 1°C or within a range of 60°F to 86°F by 1°F. Select the lower number for lower temperature of the room.

6 ENERGY SAVER

The fan stops when the compressor stops cooling.

Approximately every 3 minutes the fan will turn on and check the room air to determine if cooling is needed.

7 AUTO SWING

This button can automatically control the air flow direction.

8 SLEEP MODE BUTTON

Press the sleep mode button to set the time you want the unit to turn off automatically. The timer is programmed in one hour increment by pressing the button. Every time you push this button, the remaining time will be set as follows.(1Hour → 2Hours → 3Hours → 4Hours → 5Hours → 6Hours → 7Hours → 0Hour → 1Hour → 2Hours → ...)

Note: The Sleep Mode will be operated at low fan speed for quiet sleeping. The temperature will automatically rise by 1°C over the next 30 minutes and by 2°C in 1 hour for comfortable sleeping.

9 REMOCON SIGNAL RECEIVER



2. DISASSEMBLY INSTRUCTIONS

— Before the following disassembly, POWER SWITCH set to OFF and disconnect the power cord.

2.1 MECHANICAL PARTS

2.1.1 FRONT GRILLE

1. Open the Inlet grille upward .
2. Remove the screw which fastens the front grille.
3. Pull the front grille from the right side.
4. Remove the front grille.
5. Re-install the component by referring to the removal procedure, above.(See Figure 1)

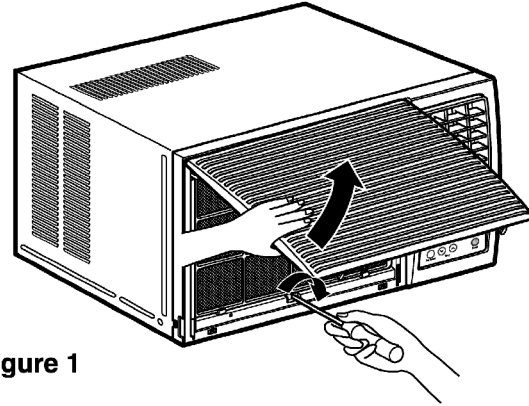


Figure 1

2.1.2 CABINET

1. After disassembling the FRONT GRILLE, remove the 2 screws which fasten the cabinet at both sides.
2. Remove the 2 screws which fasten the cabinet at back.
3. Pull the base pan forward. (See Figure 2)
4. Remove the cabinet.
5. Re-install the component by referring to the removal procedure, above.

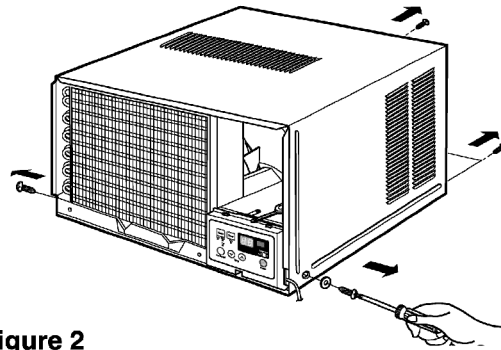


Figure 2

2.1.3 CONTROL BOX

1. Remove the front grille. (Refer to section 2.1.1)
2. Remove the cabinet. (Refer to section 2.1.2)
3. Remove the 2 screws which fasten the control box cover.
4. Remove two housings which connect compressor wire and motor wire in the control box.
5. Discharge the capacitor by placing a 20,000 ohm resistor across the capacitor terminals.
6. Remove the 2 screws which fasten the control box.
7. Pull the control box forward completely.
8. Re-install the components by referring to the removal procedure, above. (See Figure 3)
(Refer to the circuit diagram found on pages 29~30 in this manual and on the control box.)



Figure 3

2.2 AIR HANDLING PARTS

2.2.1 AIR GUIDE AND BLOWER

1. Remove the front grille. (Refer to section 2.1.1)
2. Remove the cabinet. (Refer to section 2.1.2)
3. Remove the control box. (Refer to section 2.1.3)
4. Remove the 4 screws which fasten the brace.
5. Remove the brace.
6. Remove the 2 screws which fasten the evaporator.
7. Move the evaporator forward and pulling it upward slightly. (See Figure 4)
8. Move the evaporator to the left carefully.
9. Pull out the hook of orifice by pushing the tabs and remove it. (See Figure 5)
10. Remove the clamp with a hand plier which secures the blower.
11. Remove the blower.
12. Remove the 4 screws which fasten the air guide from the barrier.
13. Move the air guide backward, pulling out from the base pan.
14. Re-install the components by referring to the removal procedure, above.

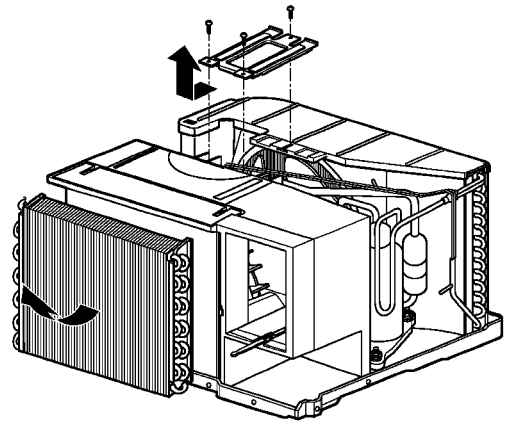


Figure 4

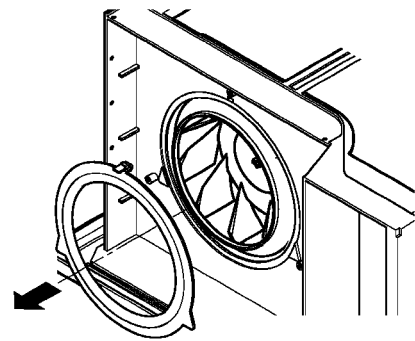


Figure 5

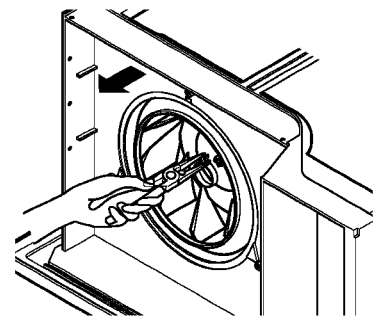


Figure 6

2.2.2 FAN

1. Remove the cabinet. (Refer to section 2.1.2)
2. Remove the brace (Refer to section 2.2.1)
3. Remove the 5 screws which fasten the condenser.
4. Move the condenser to the left carefully.
5. Remove the clamp which secures the fan.
6. Remove the fan. (See Figure 7)
7. Re-install by referring to the removal procedure.



Figure 7

2.2.3 SHROUD

1. Remove the fan. (Refer to section 2.2.2)
2. Remove the screw which fastens the shroud.
3. Remove the shroud. (See Figure 8)
4. Re-install the component by referring to the removal procedure, above.

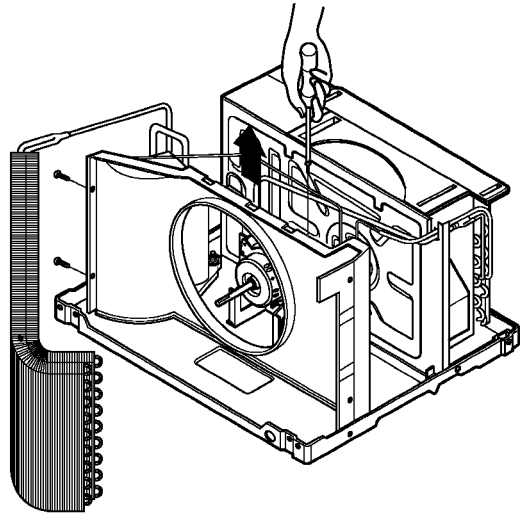


Figure 8

2.3 ELECTRICAL PARTS

2.3.1 OVERLOAD PROTECTOR

1. Remove the cabinet. (Refer to section 2.1.2)
2. Remove the nut which fastens the terminal cover.
3. Remove the terminal cover. (See Figure 9)
4. Remove all the leads from the overload protector.
5. Remove the overload protector.
6. Re-install the component by referring to the removal procedure, above.

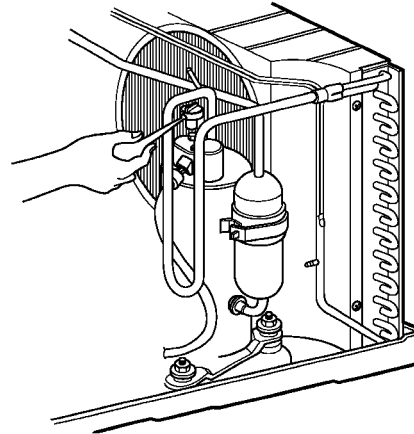


Figure 9

2.3.2 COMPRESSOR

1. Remove the cabinet. (Refer to section 2.1.2)
2. Discharge the refrigerant system using a Freon™ Recovery System.
If there is no valve to attach the recovery system, install one (such as a WATCO A-1) before venting the Freon™. Leave the valve in place after servicing the system.
3. Remove the overload protector. (Refer to section 2.3.1)
4. After purging the unit completely, unbrazed the suction and discharge tubes at the compressor connections.
5. Remove the 3 nuts and the 3 washers which fasten the compressor.
6. Remove the compressor. (See Figure 10)
7. Re-install the components by referring to the removal procedure, above.

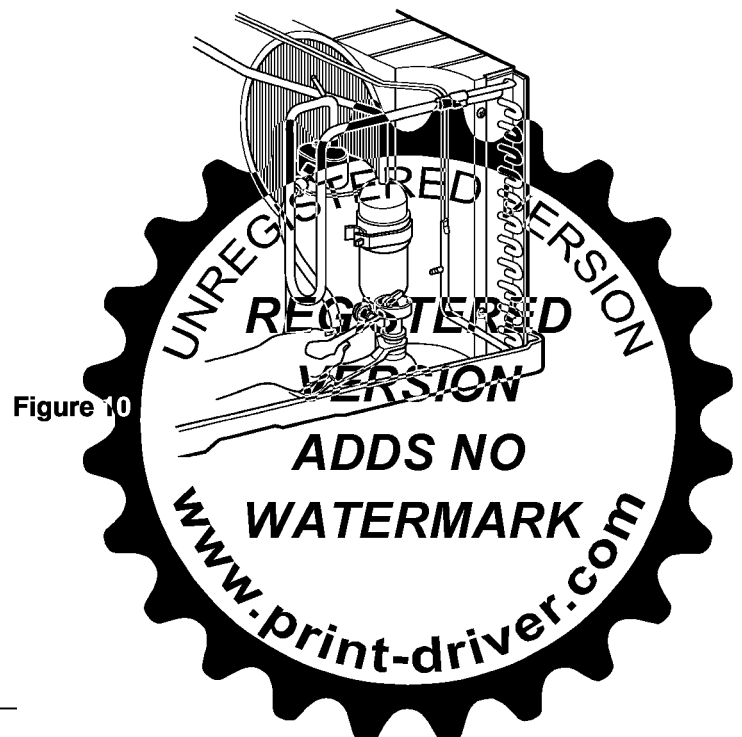


Figure 10

2.3.3 CAPACITOR

1. Remove the control box. (Refer to section 2.1.3)
2. Remove the knobs and the screw which fasten control panel from control box.
3. Remove the screw which located in the front.
4. Open the bottom side of control box.
5. Remove the screw and the clamp which fastens the capacitor.
6. Disconnect all the leads of capacitor terminals.
7. Re-install the components by referring to the removal procedure, above. (See Figure 11)

2.3.4 POWER CORD

1. Remove the control box. (Refer to section 2.1.3)
2. Open the control box. (Refer to section 2.3.3)
3. Disconnect the grounding screw from the control box.
4. Disconnect the 2 receptacles.
5. Remove a screw which fastens the clip cord. (See Figure 12)
6. Remove the power cord.
7. Re-install the component by referring to the above removal procedure, above. (Use only one ground-marked hole \oplus for ground connection.)
8. If the supply cord of this appliance is damaged, it must be replaced by the special cord. (The special cord means the cord which has the same specification marked on the supply cord attached at the unit.)

2.3.5 THERMOSTAT

1. Remove the control box. (Refer to section 2.1.3)
2. Open the control box. (Refer to section 2.3.3)
3. Remove the 2 screws which fasten the thermostat.
4. Disconnect 2 leads of thermostat terminals.
5. Remove the thermostat.
6. Re-install the components by referring to the above removal procedure. (See Figure 13)

2.3.6 ROTARY SWITCH

1. Remove the control box. (Refer to section 2.1.3)
2. Open the control box. (Refer to section 2.3.3)
3. Remove the 2 screws which fasten the rotary switch.
4. Disconnect all the leads of the rotary switch terminals.
5. Remove the rotary switch.
6. Re-install the components by referring to the above removal procedure. (See Figure 14)

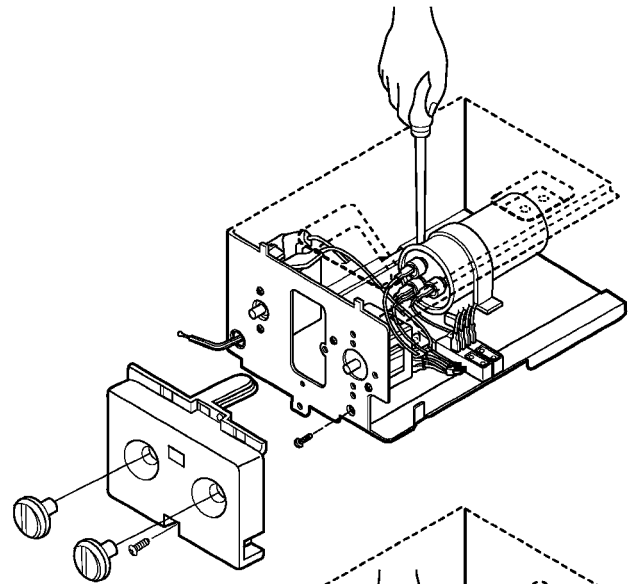


Figure 11

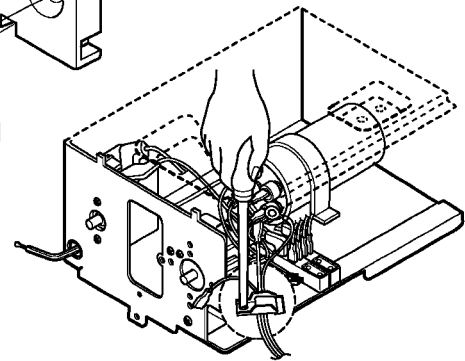


Figure 12

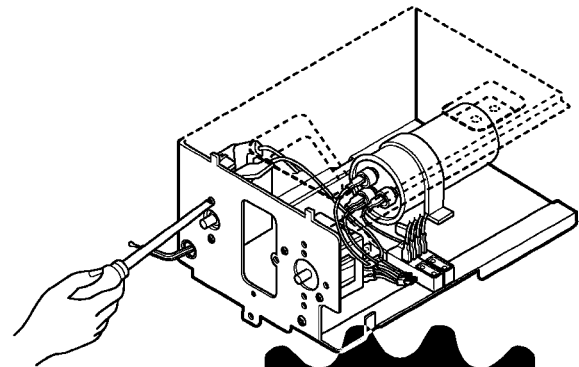


Figure 13



Figure 14

2.3.7 MOTOR

1. Remove the cabinet. (Refer to section 2.1.2)
2. Remove the evaporator. (Refer to section 2.2.1)
3. Remove the orifice. (Refer to section 2.2.1)
4. Remove the blower. (Refer to section 2.2.1)
5. Remove the fan. (Refer to section 2.2.2)
6. Remove the control box cover and disconnect 5 or 4 wires of motor housing. (Refer to section 2.1.3)
7. Remove the 2 or 4 screws which fasten the motor from the mount motor. (See Figure 15)
8. Remove the motor.
9. Re-install the components by referring to the removal procedure, above.(See Figure 15)

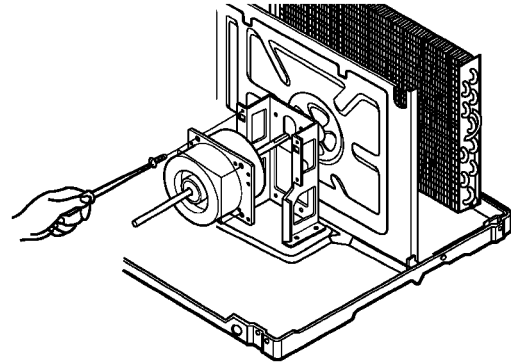


Figure 15

2.4 REFRIGERATING CYCLE

CAUTION

Discharge the refrigerant system using a Freon™ Recovery System.
If there is no valve to attach the recovery system, install one (such as a WATCO A-1) before venting the Freon™. Leave the valve in place after servicing the system.

2.4.1 CONDENSER

1. Remove the cabinet. (Refer to section 2.1.2)
2. Remove the 4 screws which fasten the brace.(Refer to section 2.2.1)
3. Remove the 5 screws which fasten the condenser and shroud.
4. After discharging the refrigerant completely, unbrazed the interconnecting tube at the condenser connections.
5. Remove the condenser.
6. Re-install the component by referring to notes. (See Figure 16)

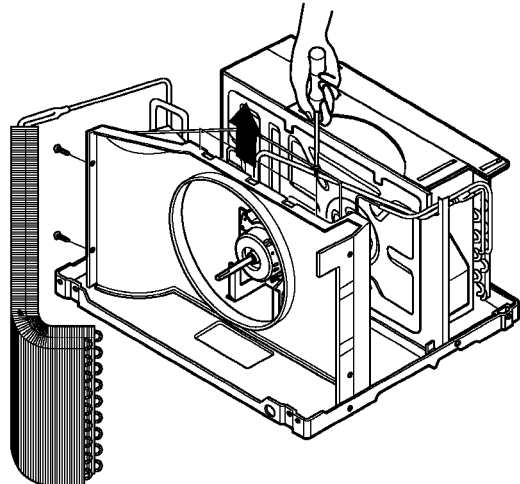


Figure 16

2.4.2 EVAPORATOR

1. Remove the cabinet. (Refer to section 2.1.2)
2. Remove the 2 screws which fasten the evaporator.
3. Move the evaporator sideways carefully. (Refer to section 2.2.1)
4. After discharging the refrigerant completely, unbrazed the interconnecting tube at the evaporator connections.
5. Remove the evaporator.
6. Re-install the component by referring to notes. (See Figure 17)

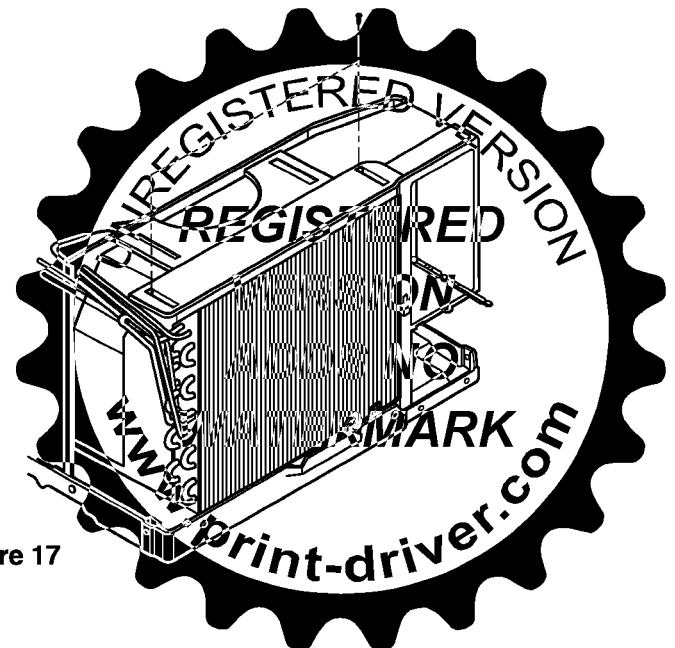


Figure 17

2.4.3 CAPILLARY TUBE

1. Remove the cabinet. (Refer to section 2.1.2)
2. After discharging the refrigerant completely, unbraid the interconnecting tube at the capillary tube. (See caution above)

3. Remove the capillary tube.
4. Re-install the component by referring to notes.

NOTES

— Replacement of the refrigeration cycle.

1. When replacing the refrigeration cycle, be sure to Discharge the refrigerant system using a Freon™ recovery System.
If there is no valve to attach the recovery system, install one (such as a WATCO A-1) before venting the Freon™. Leave the valve in place after servicing the system.
2. After discharging the unit completely, remove the desired component, and unbraid the pinch-off tubes.
3. Solder service valves into the pinch-off tube ports, leaving the valves open.
4. Solder the pinch-off tubes with Service valves.
5. Evacuate as follows.
 - 1) Connect the vacuum pump, as illustrated figure 18A.
 - 2) Start the vacuum pump, slowly open manifold valves A and B with two full turns counterclockwise and leave the valves open. The vacuum pump is now pulling through valves A and B up to valve C by means of the manifold and entire system.

CAUTION

If high vacuum equipment is used, just crack valves A and B for a few minutes, then open slowly with the two full turns counterclockwise. This will keep oil from foaming and being drawn into the vacuum pump.

- 3) Operate the vacuum pump for 20 to 30 minutes, until 600 microns of vacuum is obtained. Close valves A and B, and observe vacuum gauge for a few minutes. A rise in pressure would indicate a possible leak or moisture remaining in the system. With valves A and B closed, stop the vacuum pump.
- 4) Remove the hose from the vacuum pump and place it on the charging cylinder. See figure 18B.
Open valve C.
Discharge the line at the manifold connection.
- 5) The system is now ready for final charging.

6. Recharge as follows :

- 1) Refrigeration cycle systems are charged from the High-side. If the total charge cannot be put in the High-side, the balance will be put in the suction line through the access valve which you installed as the system was opened.
- 2) Connect the charging cylinder as shown in figure 18B.
With valve C open, discharge the hose at the manifold connection.
- 3) Open valve A and allow the proper charge to enter the system. Valve B is still closed.
- 4) If more charge is required, the high-side will not take it. Close valve A.
- 5) With the unit running, open valve B and add the balance of the charge.
 - a. Do not add the liquid refrigerant to the Low-side.
 - b. Watch the Low-side gauge; allow pressure to rise to 30 lbs.
 - c. Turn off valve B and allow pressure to drop.
 - d. Repeat steps b. and c. until the balance of the charge is in the system.
- 6) When satisfied the unit is operating correctly, use the pinch-off tool with the unit still running and clamp on to the pinch-off tube. Using a tube cutter, cut the pinch-off tube about 2 inches from the pinch-off tool. Use sil-fos solder and solder pinch-off tube closed. Turn off the unit, allow it to set for a while, and then test the leakage of the pinch-off connection.



Equipment needed: Vacuum pump, Charging cylinder, Manifold gauge, Brazing equipment. Pin-off tool capable of making a vapor-proof seal, Leak detector, Tubing cutter, Hand Tools to remove components, Service valve.

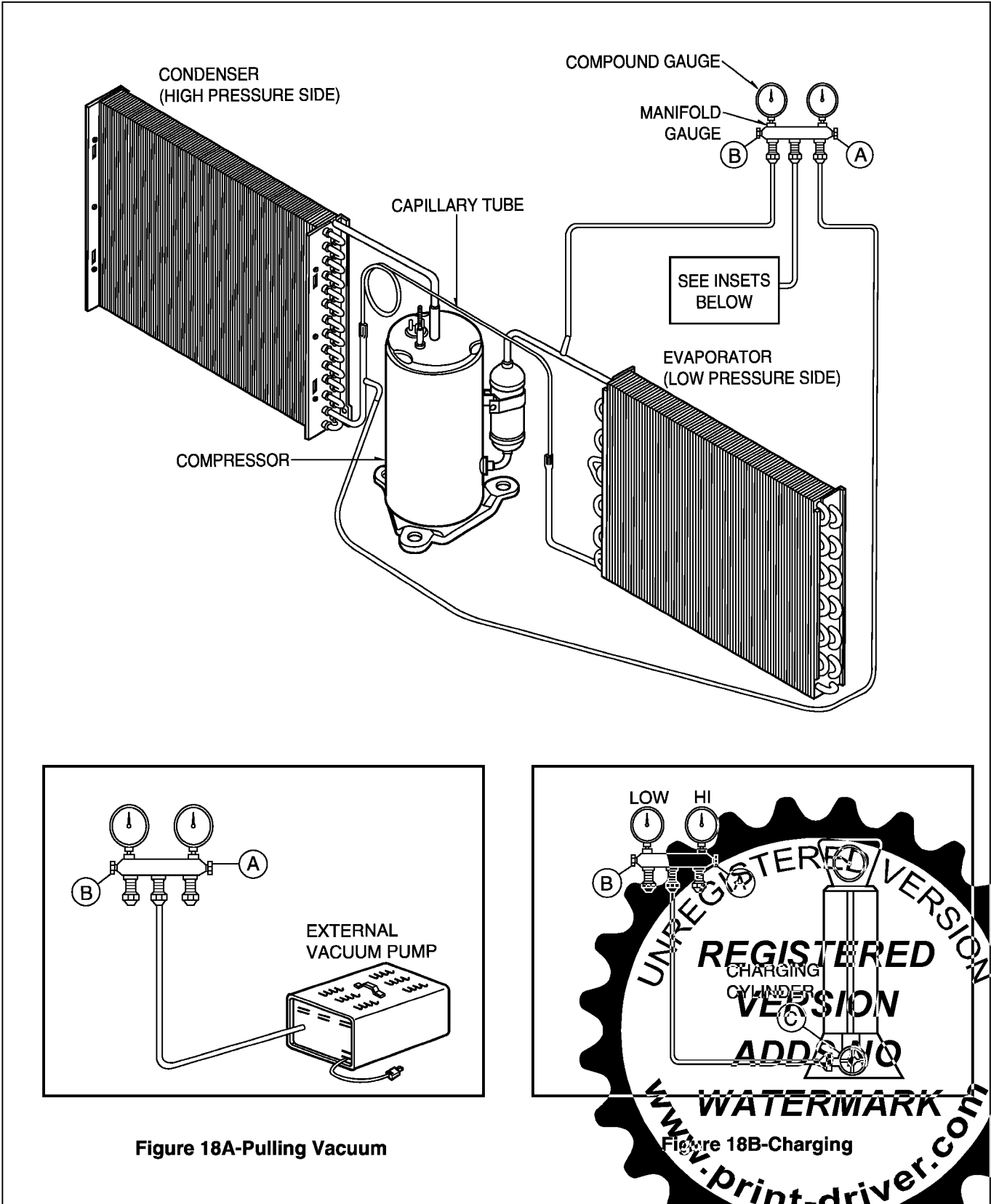


Figure 18A-Pulling Vacuum

Figure 18B-Charging

3. INSTALLATION

3.1 SELECT THE BEST LOCATION

1. To prevent vibration and noise, make sure the unit is installed securely and firmly.
2. Install the unit where the sunlight does not shine directly on the unit.
3. The outside of the cabinet must extend outward for at least 12" and there should be no obstacles, such as a fence or wall, within 20" from the back of the cabinet because it will prevent heat radiation of the condenser.
Restriction of outside air will greatly reduce the cooling efficiency of the air conditioner.

CAUTION

All side louvers of the cabinet must remain exposed to the outside of the structure.

4. Install the unit a little slanted so the back is slightly lower than the front (about 1/2"). This will help force con-densed water to the outside.
5. Install the unit from the bottom about 30"~60" above the floor level.

3.2 CHECK OF INSTALLATION

The setting conditions must be checked prior to initial starting.

The undermentioned items are especially important checking points when the installation is finished.

1. Grounding wire (Green or Green and Yellow) is provided in the power cord. The green wire must be grounded.
2. Connect to a single-outlet 15A circuit.
(or 20A circuit for Electric Heater Model)
3. To avoid vibration or noise, make sure the air conditioner is installed securely.
4. Avoid placing furniture or draperies in front of the air inlet and outlet.

3.3. HOW TO DRAIN (When using drain pipe)

The air conditioner must be installed horizontally or tilted slightly to the outside for proper water drainage.

On exceptionally hot and humid days the air conditioner may overflow con-densed water.

If the air conditioner is used in hot and a high humidity zone, exchange the ① HOLE RUBBER for the ② DRAIN PIPE. (See figure 20, figure 21.)

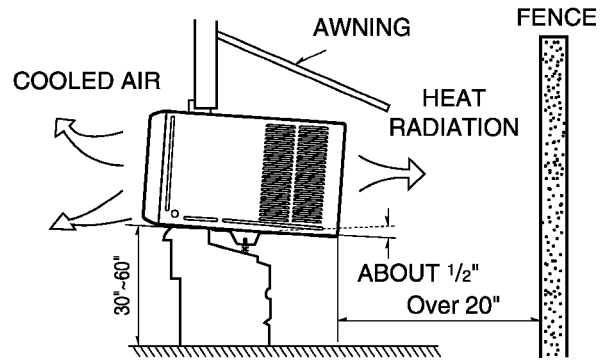


Figure 19

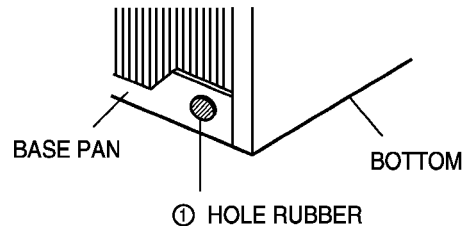


Figure 20



Figure 21

3.4 HOW TO INSTALL SUGGESTED TOOL REQUIREMENTS

SCREWDRIVER(+, -), RULLER, KNIFE, HAMMER, PENCIL, LEVEL

PREPARATION OF CHASSIS

1. Before installing the room air conditioner, please install the knob. (If it is not fixed on the unit.)
2. Remove the screws which fasten the cabinet at both sides and at the back.
3. Slide the unit from the cabinet by gripping the base pan handle and pulling forward while bracing the cabinet.
4. Slide the air conditioner into the case. Reinstall the 2 screws removed earlier on each side of the case.

CAUTION: The power cord must be connected to an independent circuit. The green wire must be grounded.

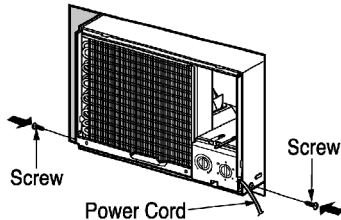


Figure 25

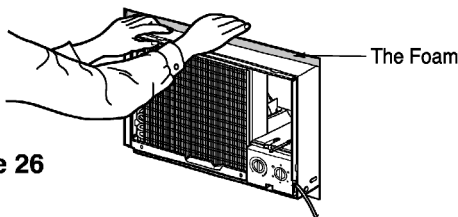


Figure 26

5. Stuff the foam between the top of the unit and the wall to prevent air and insects from getting into the room.
6. Attach the front grille to the case by inserting the tabs on the grille into the slots on the front of the case. Push the grille in until it snaps into place.

When you detach the front grille from the case, push the grille to your right side and pull it toward you.

7. Lift the inlet grille and secure the front grille with a screw. Lower the inlet grille into place. (In case of some models, you can secure the front grille from the right side or lower side.)

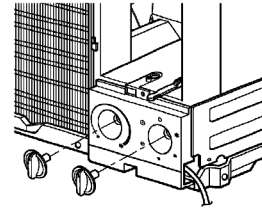


Figure 22

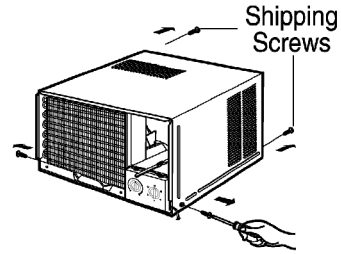


Figure 23

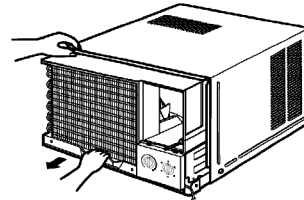


Figure 24

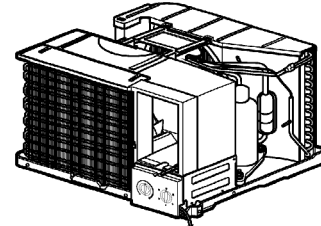


Figure 27

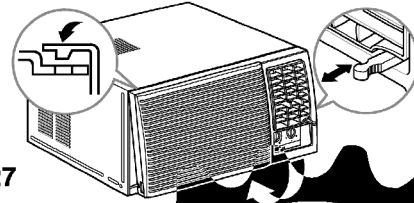


Figure 28



Figure 29

3.5 HOW TO USE THE REVERSIBLE INLET GRILLE

1. If you want to pull out the filter upward, open the inlet grille slightly. Turn inside out the front grille. Disassemble the inlet grille from the front grille with separating the hinged part by inserting a "—" type screw-driver tip. Rotate the inlet grille 180 degrees and insert the hooks into the lower holes of front grille. Then, insert the filter (See Figure 30, 31)

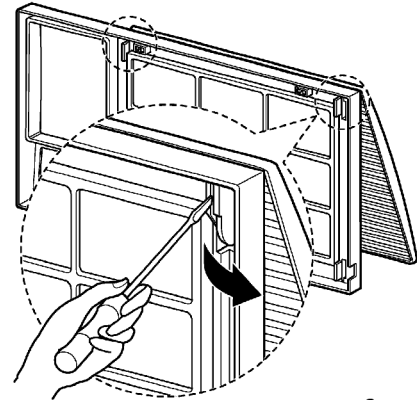


Figure 30

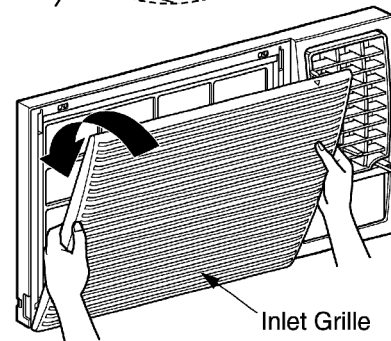


Figure 31

2. Attach the front grille to the cabinet by inserting the tabs on the grille into the tabs on the front of the cabinet. Push the grille in until it snaps into place. (See Figure 32)

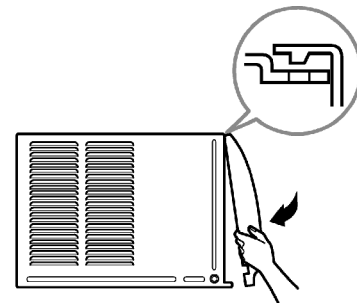


Figure 32

3. Lift the inlet grille and secure it with a type A screw through the front grille. (See Figure 33)
4. If you want to pull out the filter downward, use the reversible inlet grille without change. (The grille is already assembled for that way.)

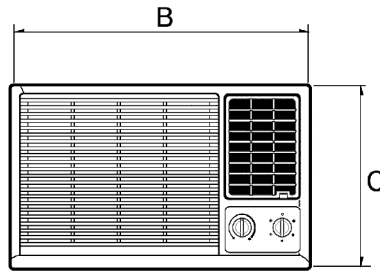
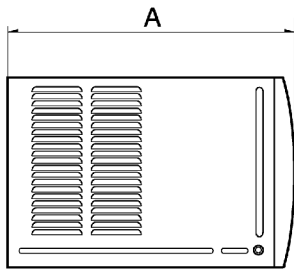
Figure 33



4. TROUBLESHOOTING GUIDE

4.1 OUTSIDE DIMENSIONS

unit: mm(inch)



Chassis	A	B	C
WG	525	470	353
WC	567	600	380
WN	770	660	428

4.2 PIPING SYSTEM

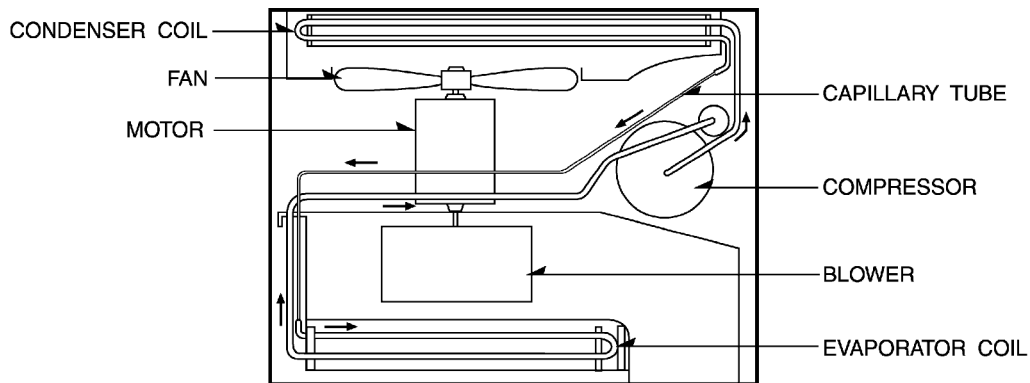


Figure 34 is a brief description of the important components and their function in what is called the refrigeration system. This will help you to understand the refrigeration cycle and the flow of the refrigerant in the cooling cycle.

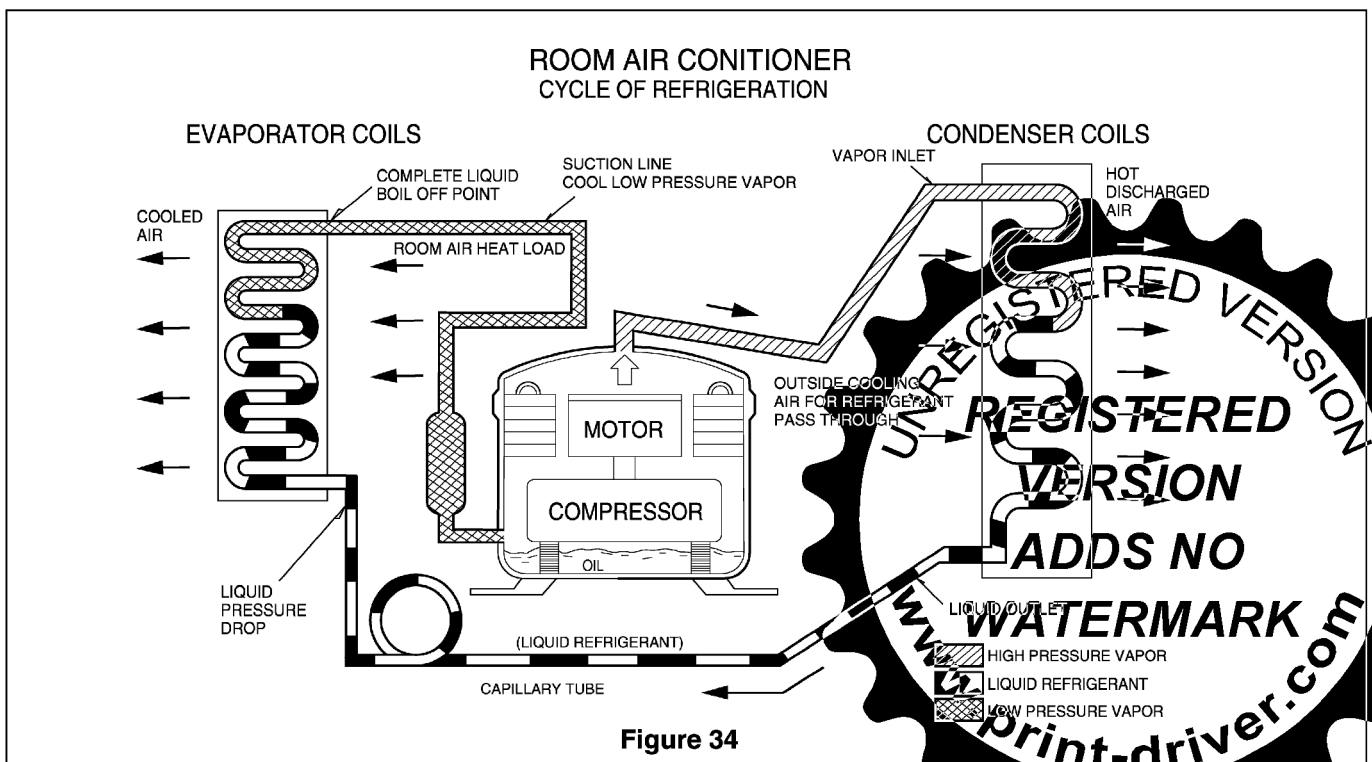


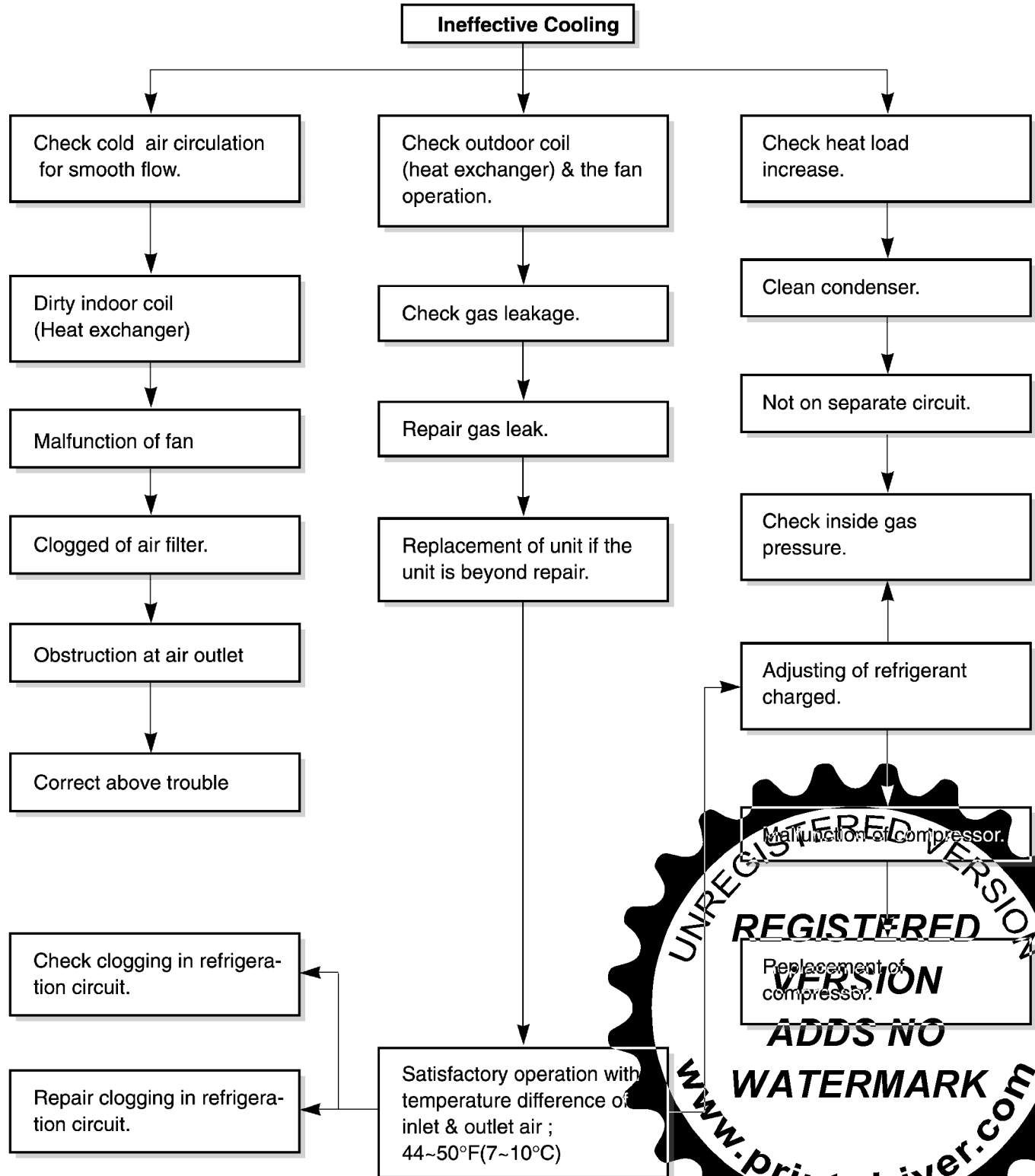
Figure 34

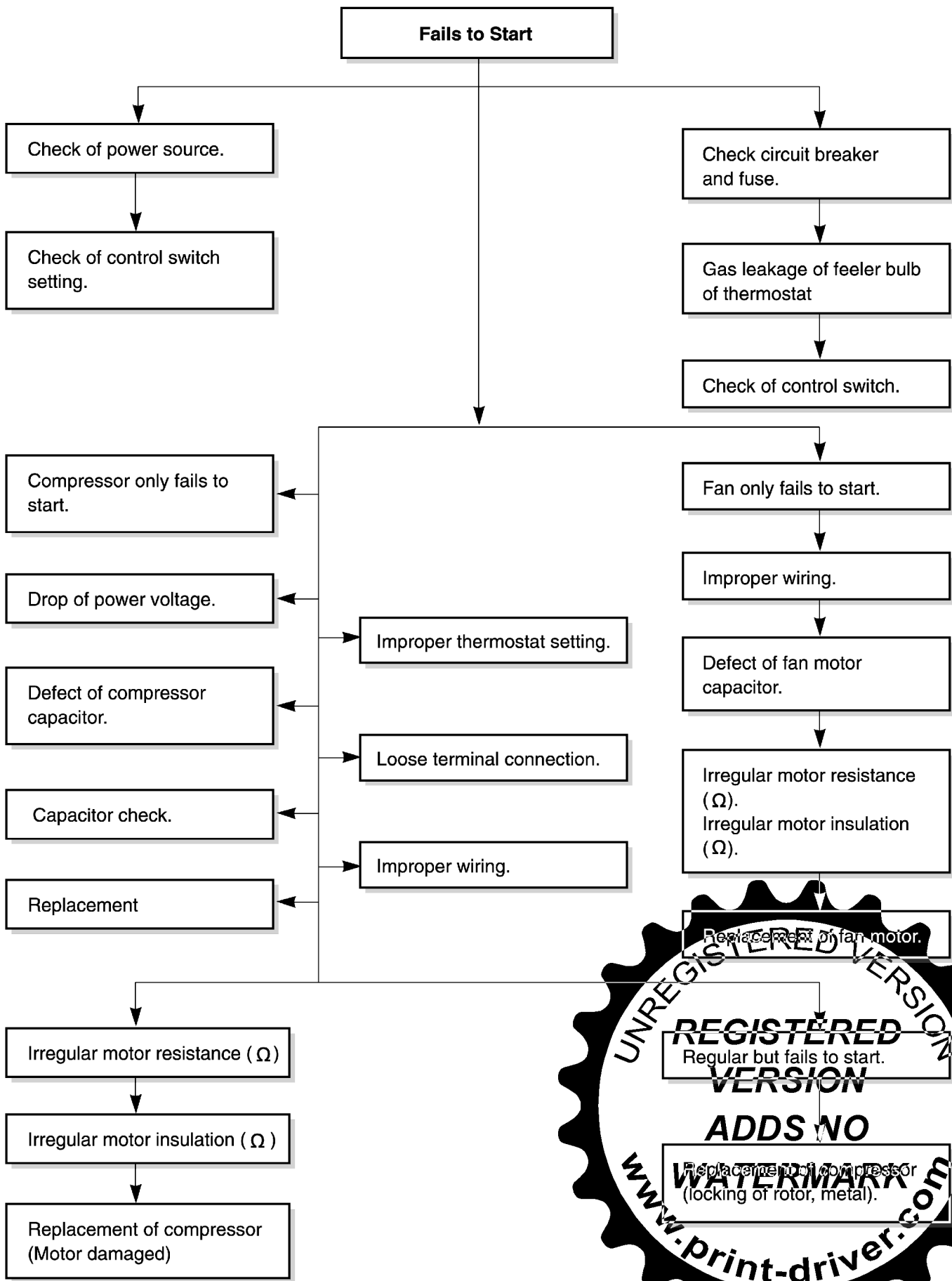
4.3 TROUBLESHOOTING GUIDE

In general, possible trouble is classified in two kinds.

The one is called Starting Failure which is caused from an electrical defect, and the other is ineffective Air Conditioning caused by a defect in the refrigeration circuit and improper application.

Unit runs but poor cooling.

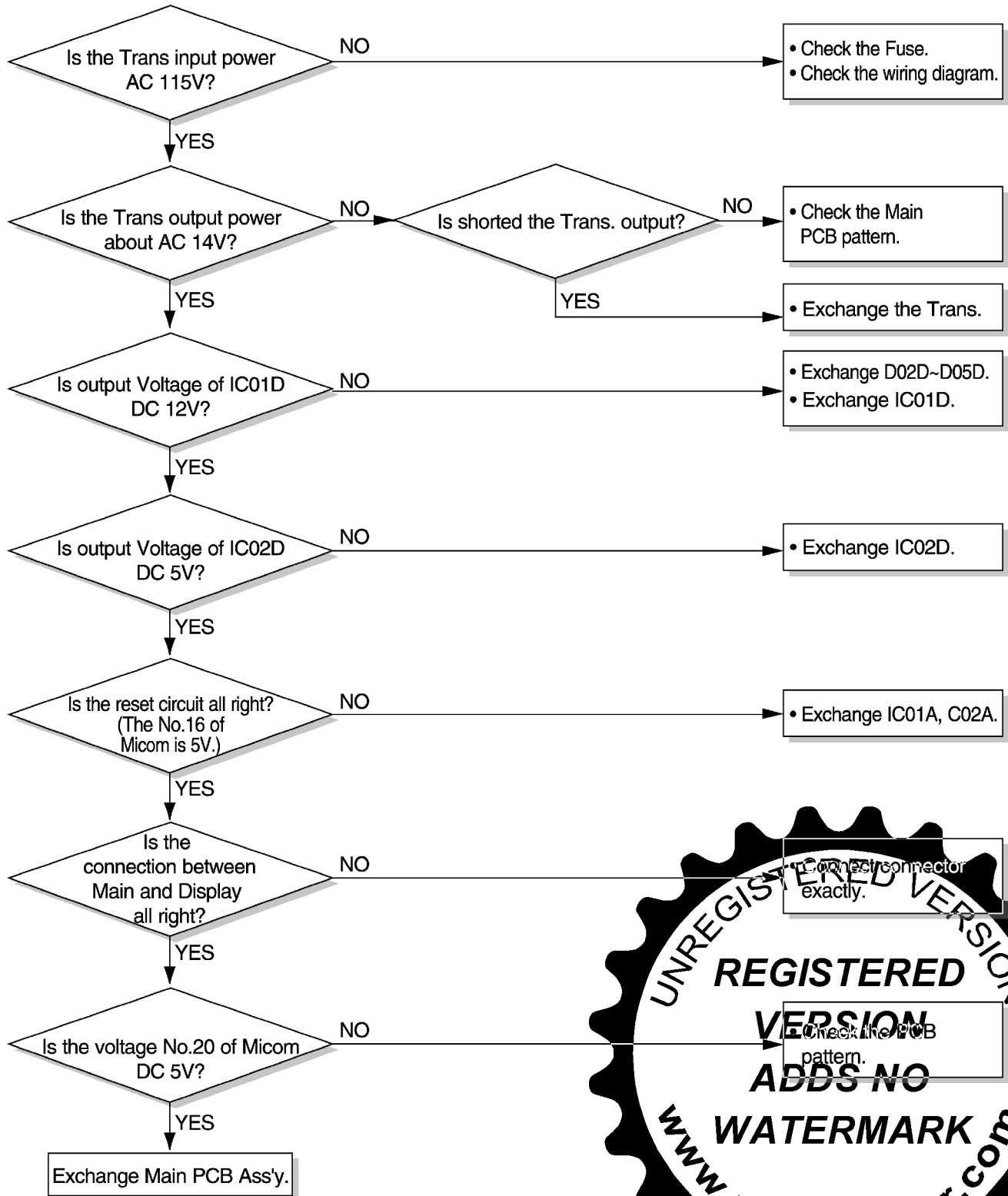




■ ELECTRICAL PARTS TROUBLESHOOTING GUIDE: M1203R/WM-1211

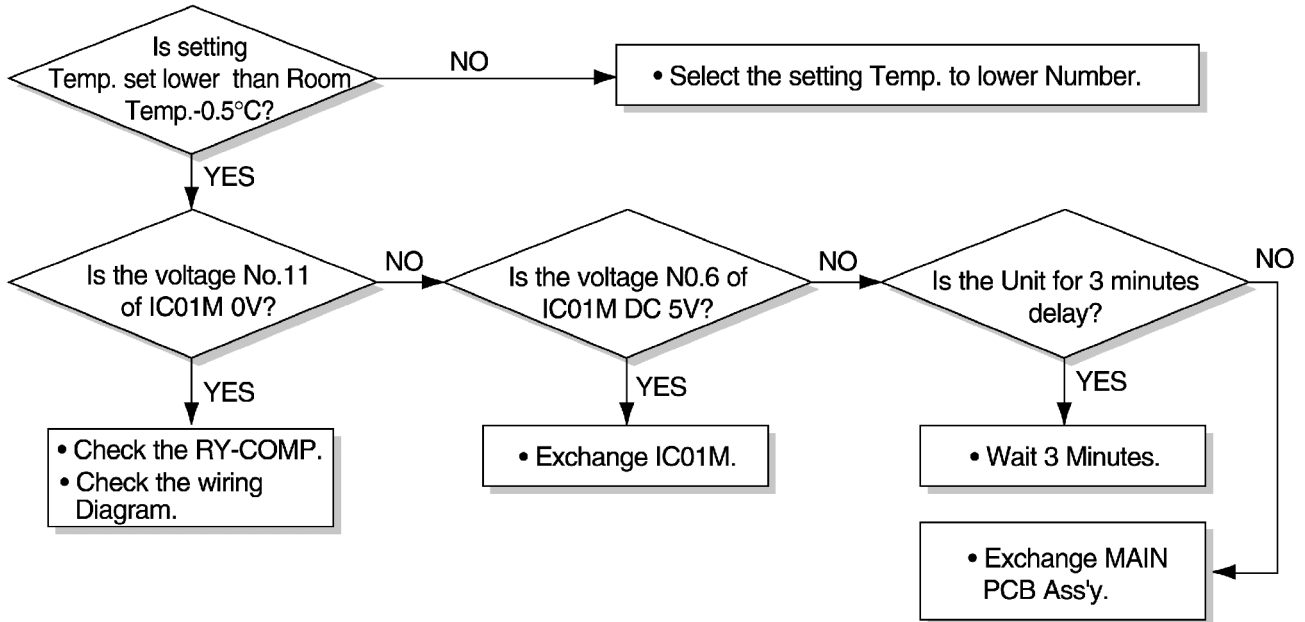
Possible Trouble 1

The unit does not operate.



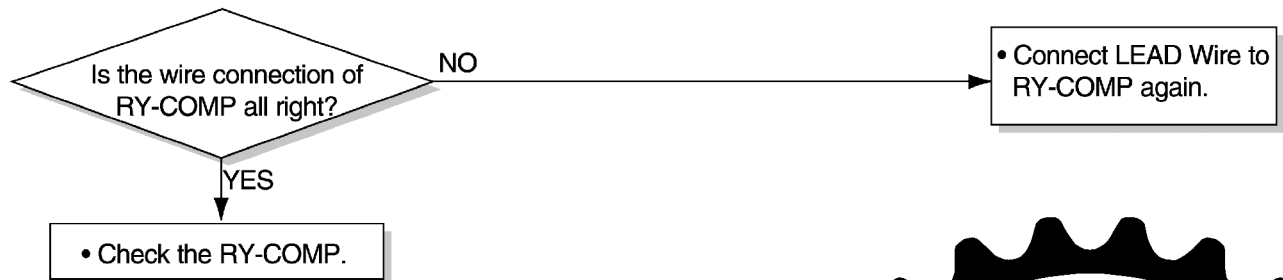
Possible Trouble 2

The compressor does not operate.



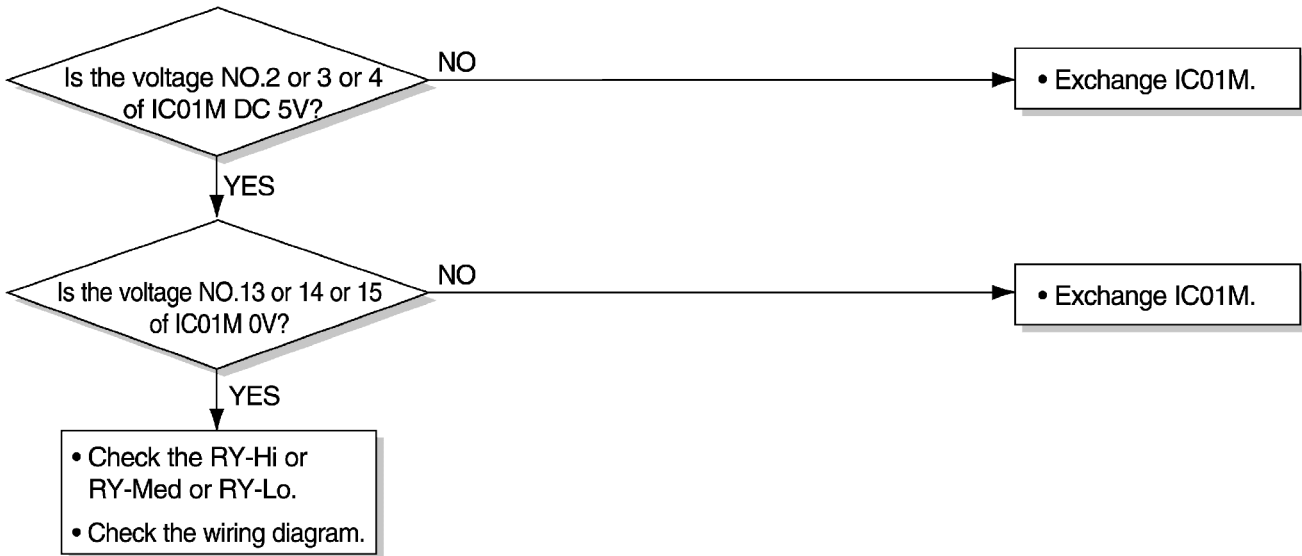
Possible Trouble 3

The compressor always operate.



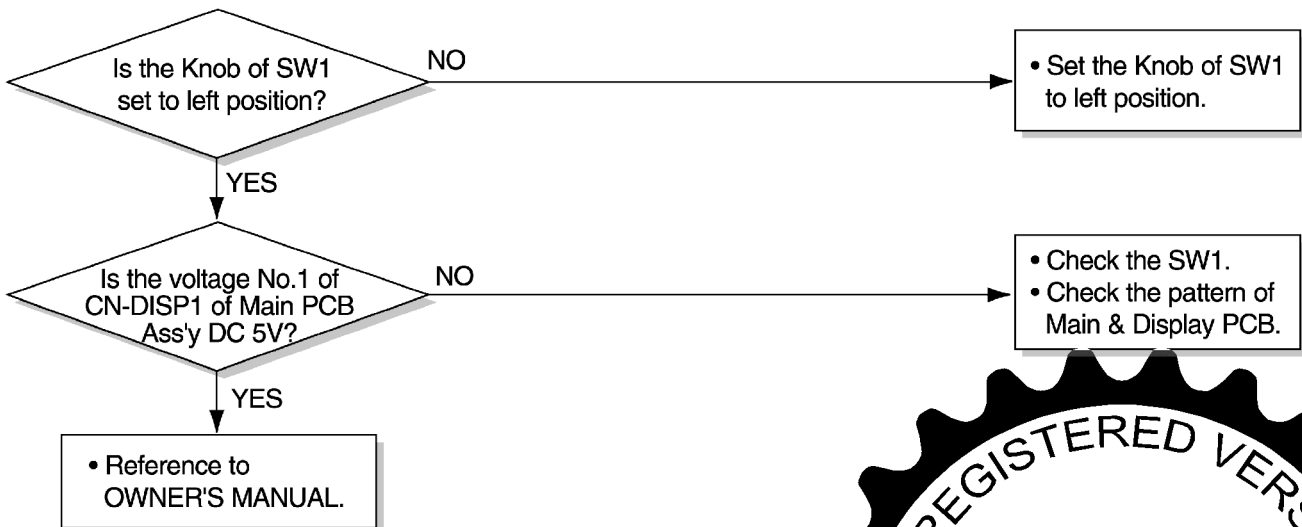
Possible Trouble 4

FAN does not operate.



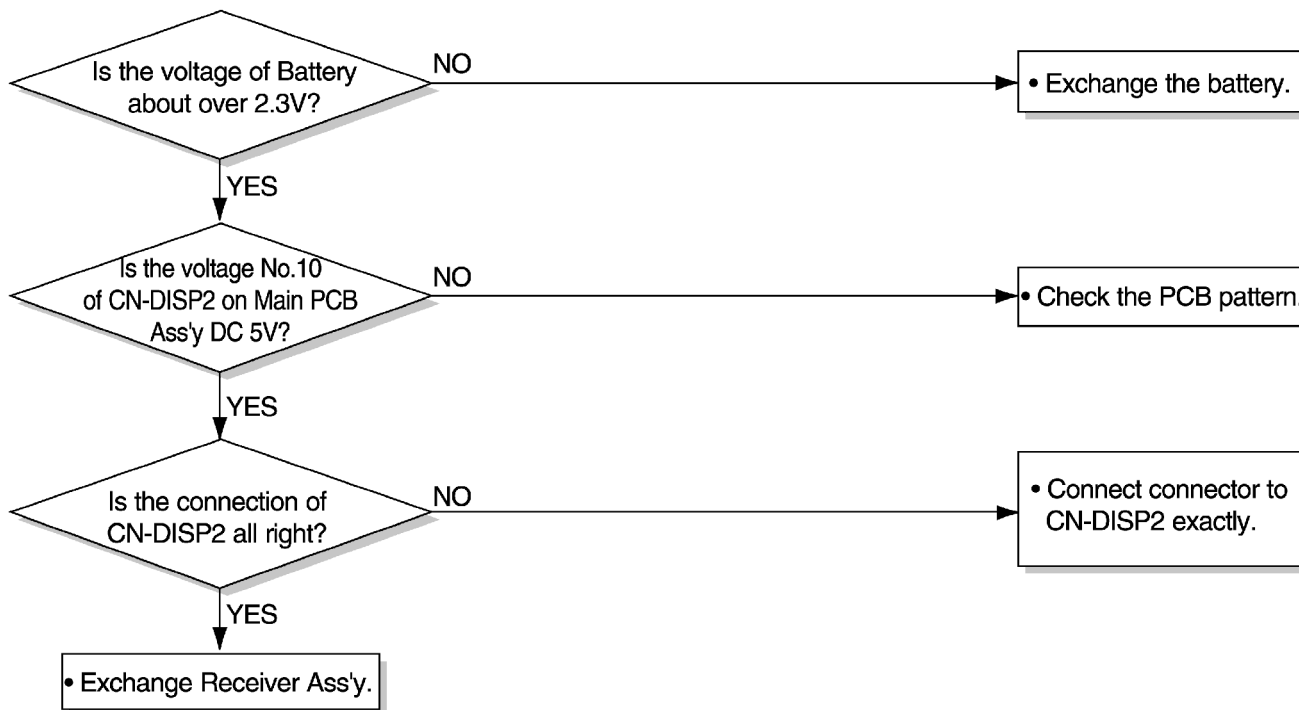
Possible Trouble 5

The function of Energy Saver does not operate.



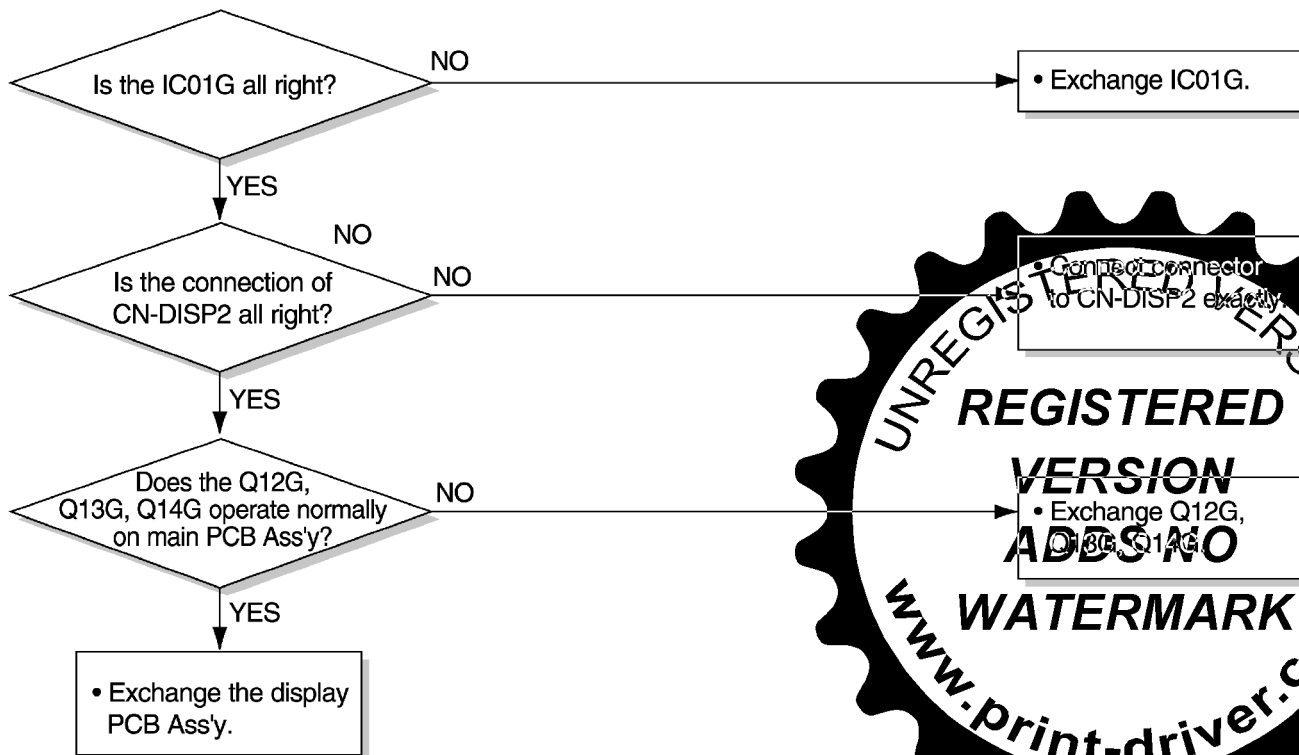
Possible Trouble 6

Remote controller does not operate.



Possible Trouble 7

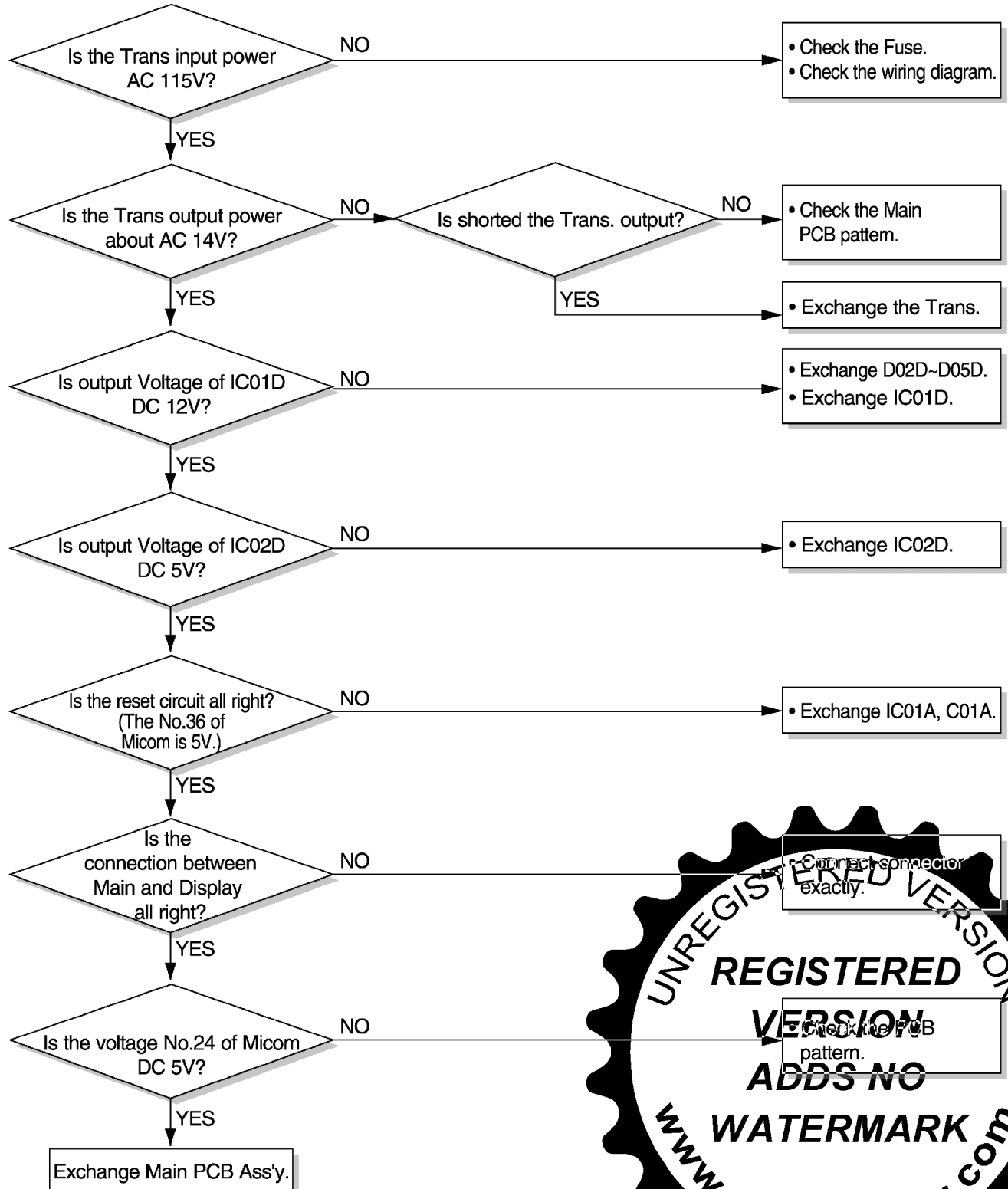
It displays abnormally on display PCB Ass'y.



■ ELECTRICAL PARTS TROUBLESHOOTING GUIDE: M1003L, M1203L

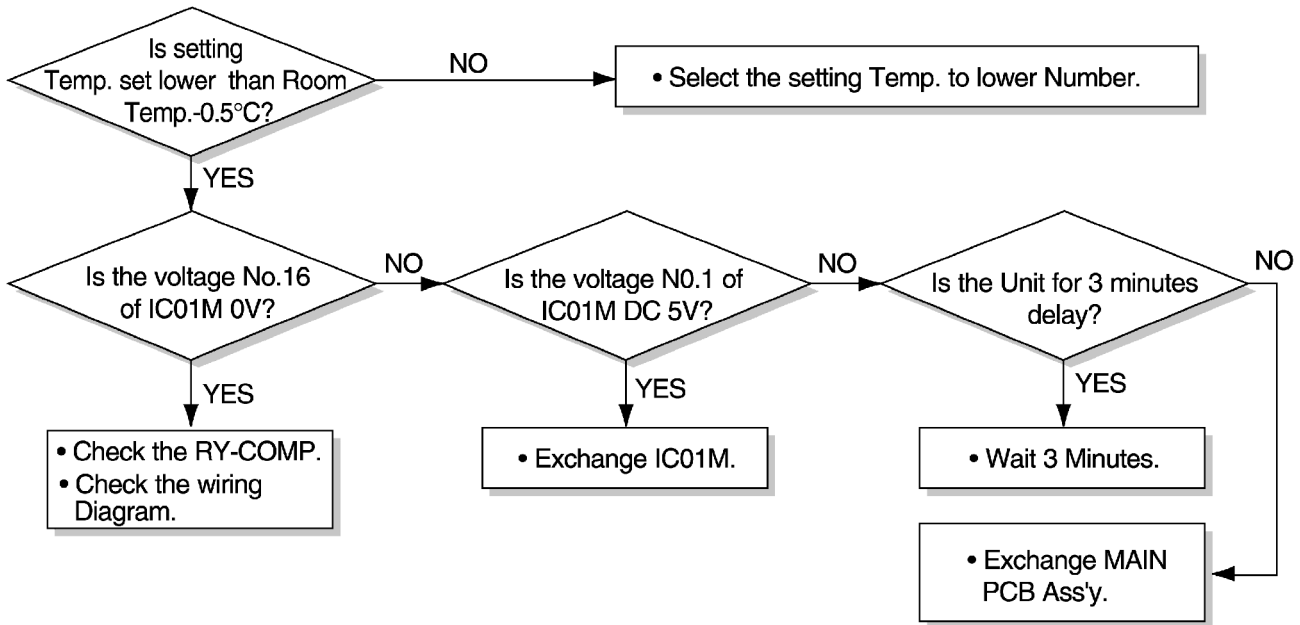
Possible Trouble 1

The unit does not operate.



Possible Trouble 2

The compressor does not operate.



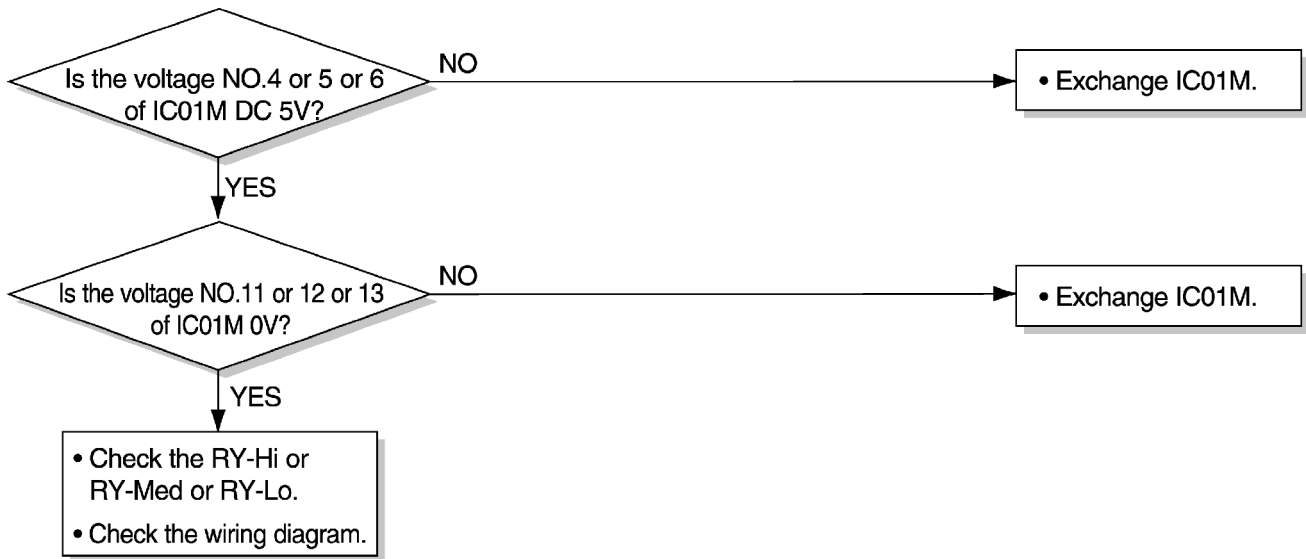
Possible Trouble 3

The compressor always operate.



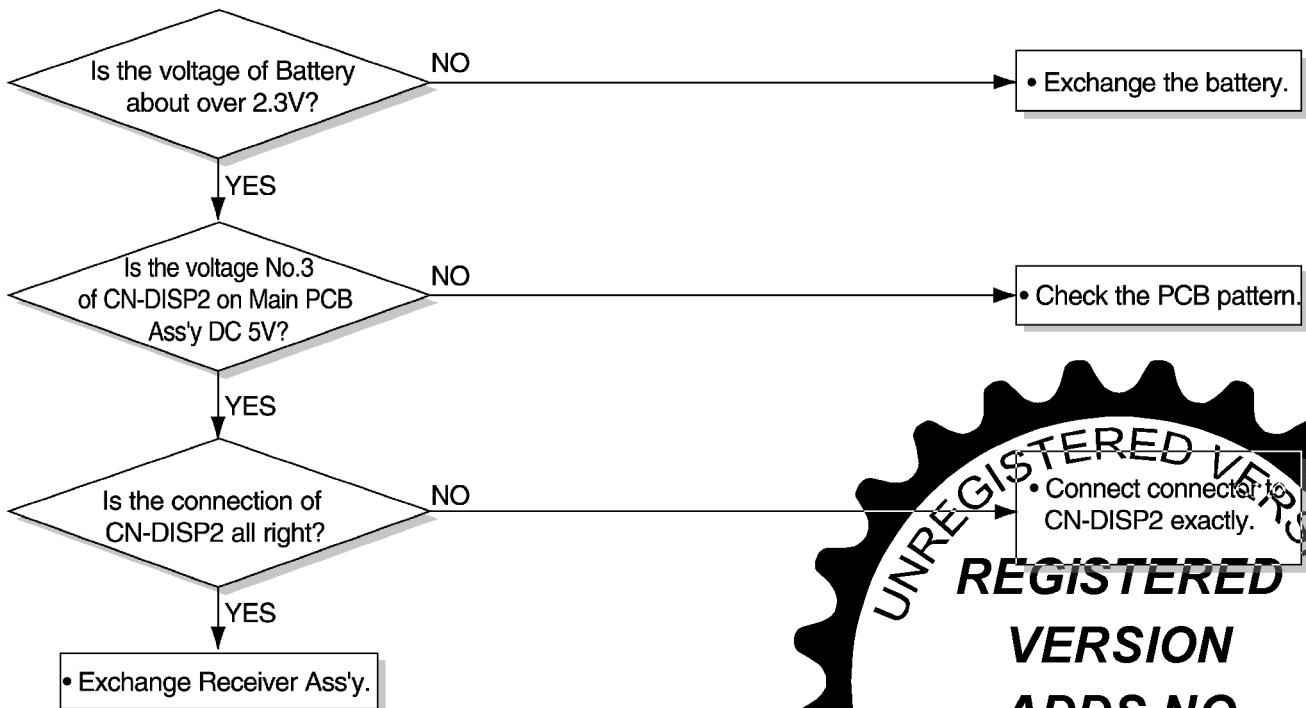
Possible Trouble 4

FAN does not operate.



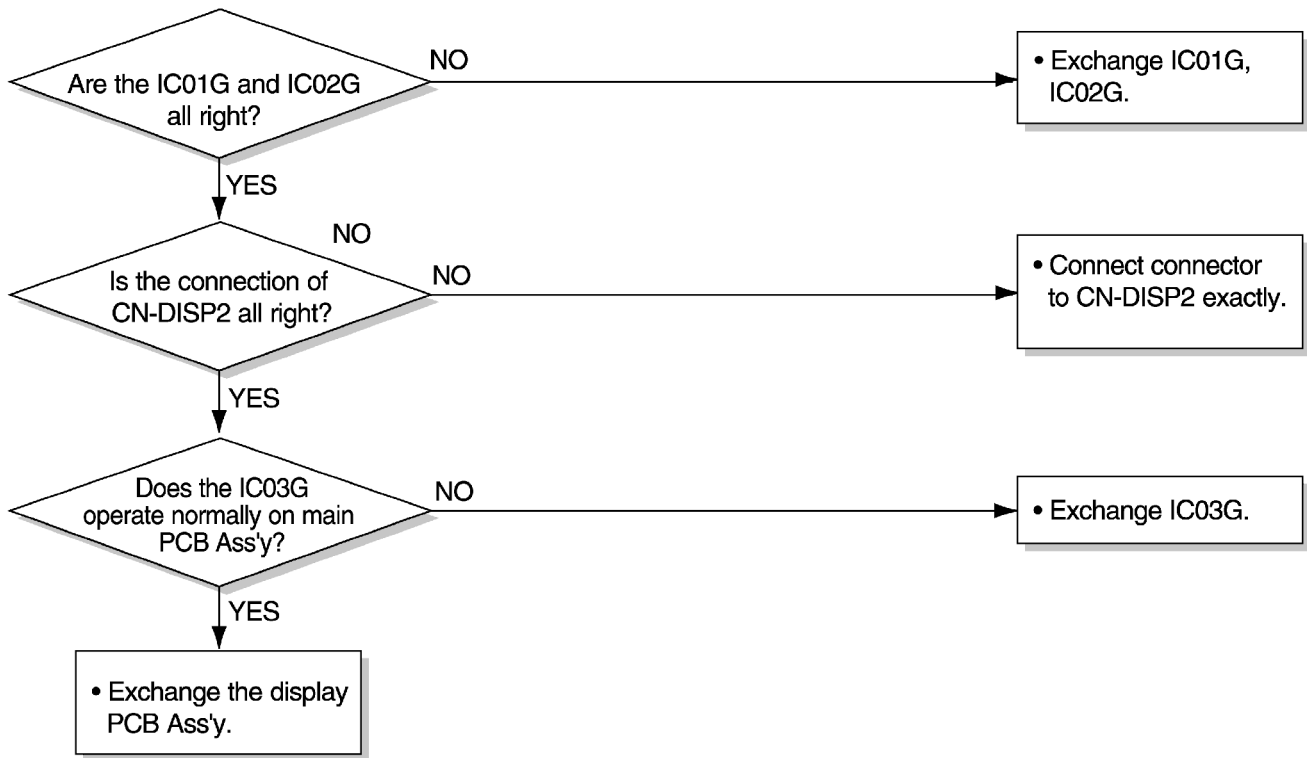
Possible Trouble 5

Remote controller does not operate.



Possible Trouble 6

It displays abnormally on display PCB Ass'y.



COMPLAINT	CAUSE	REMEDY
Fan motor will not run.	No power	Check voltage at outlet. Correct if none.
	Power supply cord	Check voltage to rotary switch. If none, check power supply cord. Replace cord if circuit is open.
	Rotary switch	Check switch continuity. Refer to wiring diagram for terminal identification. Replace switch if defective.
	Wire disconnected or connection loose	Connect wire. Refer to wiring diagram for terminal identification. Repair or replace loose terminal.
	Capacitor (Discharge capacitor before testing.)	Test capacitor. Replace if not within $\pm 10\%$ of manufacturer's rating. Replace if shorted, open, or damaged.
	Will not rotate	Fan blade hitting shroud or blower wheel hitting scroll. Realign assembly. Units using slinger ring for condenser fan must have $\frac{1}{4}$ to $\frac{5}{16}$ inch clearance to the base. If it hits the base, shim up the bottom of the fan motor with mounting screw(s). Check fan motor bearings; if motor shaft will not rotate, replace the motor.
Fan motor runs intermittently	Revolves on overload.	Check voltage. If not within limits, call an electrician. Test capacitor. Check bearings. Does the fan blade rotate freely? If not, replace fan motor. Pay attention to any change from high speed to low speed. If the speed does not change, replace the motor.
Fan motor noise.	Fan	If cracked, out of balance, or partially missing, replace it.
	Blower	If cracked, out of balance, or partially missing, replace it.
	Loose clamper	Tighten it.
	Worn bearings	If knocking sounds continue when running or loose, replace the motor. If the motor turns or noise appears to be internal while running, replace motor.
Compressor will not run, but fan motor runs.	Voltage	Check voltage. If not within limits, call an electrician.
	Wiring	Check the wire connections; if loose, repair or replace the terminal. If wires are off, refer to wiring diagram for identification and replace. Check wire locations. If not per wiring diagram, correct.
	Rotary	Check for continuity, refer to the wiring diagram for terminal identification. Replace the switch if circuit is open.



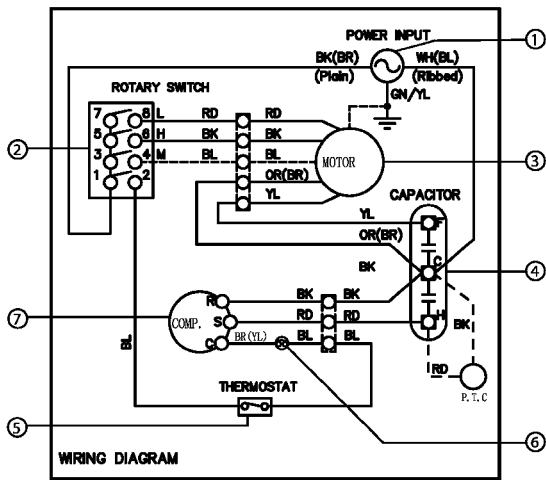
COMPLAINT	CAUSE	REMEDY
Compressor will not run, but fan motor runs.	Thermostat	Check the position of knob. If not at the coldest setting, advance the knob to this setting and restart unit. Check continuity of the thermostat. Replace thermostat if circuit is open.
	Capacitor (Discharge capacitor before servicing.)	Check the capacitor. Replace if not within $\pm 10\%$ of manufacturer's rating. Replace if shorted, open, or damaged.
	Compressor	Check the compressor for open circuit or ground. If open or grounded, replace the compressor.
	Overload	Check the compressor overload, if externally mounted. Replace if open. (If the compressor temperature is high, remove the overload, cool it, and retest.)
Compressor cycles on overload.	Voltage	Check the voltage. If not within limits, call an electrician.
	Overload	Check overload, if externally mounted. Replace if open. (If the compressor temperature is high, remove the overload, cool, and retest.)
Compressor cycles on overload.	Fan motor	If not running, determine the cause. Replace if required.
	Condenser air flow restriction	Remove the cabinet. Inspect the interior surface of the condenser; if restricted, clean carefully with a vacuum cleaner (do not damage fins) or brush. Clean the interior base before reassembling.
	Condenser fins (damaged)	If condenser fins are closed over a large area on the coil surface, head pressures will increase, causing the compressor to overload. Straighten the fins or replace the coil.
Compressor cycles on overload.	Capacitor	Test capacitor.
	Wiring	Check the terminals. If loose, repair or replace.
	Refrigerating system	Check the system for a restriction.
Insufficient cooling or heating	Air filter	If restricted, clean or replace.
	Exhaust damper door	Close if open.
	Unit undersized	Determine if the unit is properly sized for the area to be cooled.
Excessive noise	Blower or fan	Check the set screw or clamp. If loose or missing, correct. If the blower or fan is hitting air guide, rearrange the air handling parts.
	Copper tubing	Remove the cabinet carefully and rearrange tubing not to contact cabinet, compressor, shroud, and barrier.



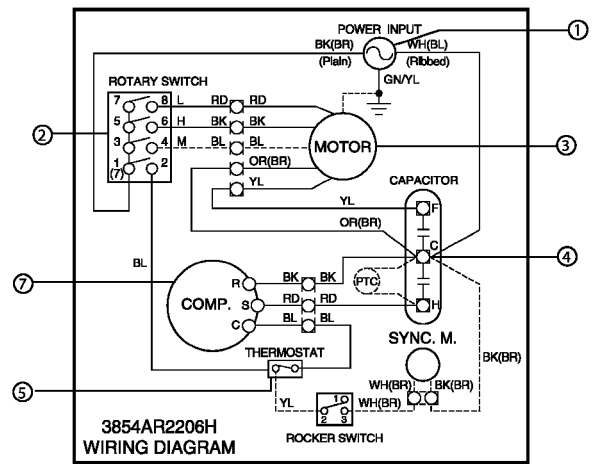
5. SCHEMATIC DIAGRAM

5.1 CIRCUIT DIAGRAM

MODEL : W081CA.SG2
 W091CA.TSG0
 W092CA.TSG0
 W121CA.TSC2
 W122CA.TSC0

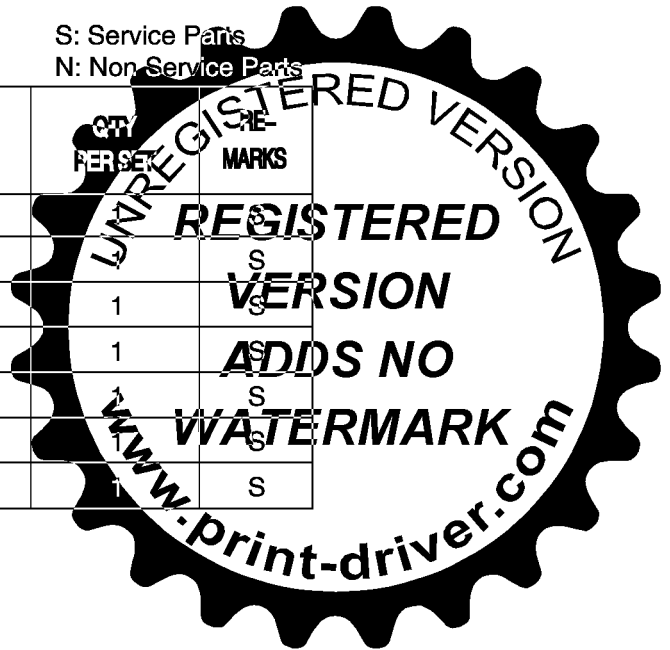


MODEL : W182CA.TSN0
 W242CA.TSN0

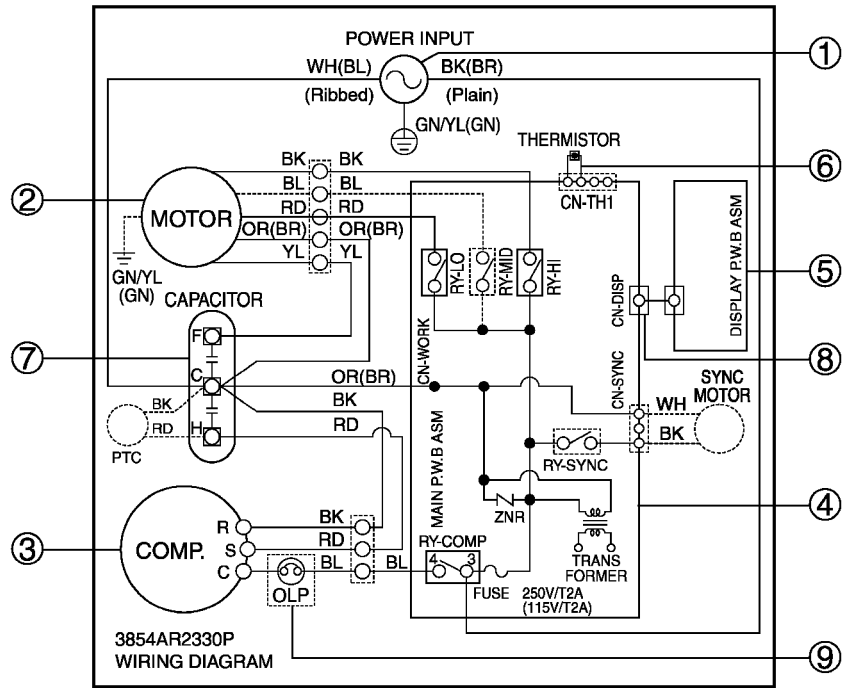


S: Service Parts
 N: Non Service Parts

LOCATION NO.	DESCRIPTION	QTY PER SET	RE-MARKS
1	POWER CORD		
2	ROTARY SWITCH		
3	FAN MOTOR	1	
4	CAPACITOR	1	
5	THERMOSTAT		
6	OVERLOAD PROTECTOR		
7	COMPRESSOR		



■ MODEL : W081CM/W121CM/W122CM/W121CMH/W122CMH/W182CA/W182CM/W182CMH/W242CA/W242CM



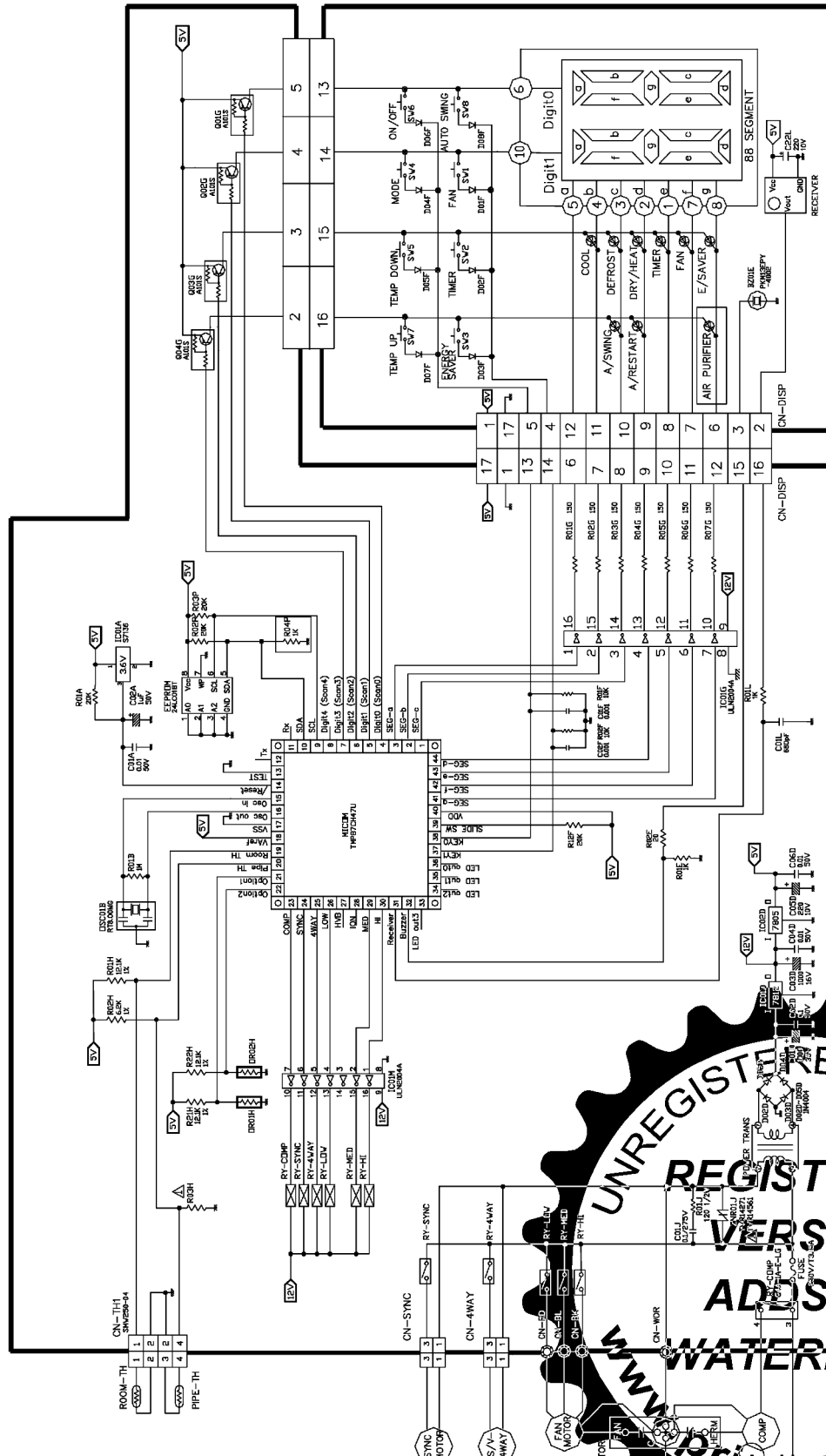
S: Service Parts
N: Non Service Parts

LOCATION NO.	DESCRIPTION	Q'TY PER SET	RE-MARKS
1	POWER CORD ASSY	1	S
2	MOTOR ASSY	1	S
3	COMPRESSOR	1	S
4	MAIN P.W.B ASSY	1	S
5	DISPLAY P.W.B ASSY	1	S
6	THERMISTOR	1	S
7	CAPACITOR	1	S
8	CONNECTOR ASSY	1	S
9	OVERLOAD PROTECTOR	1	S



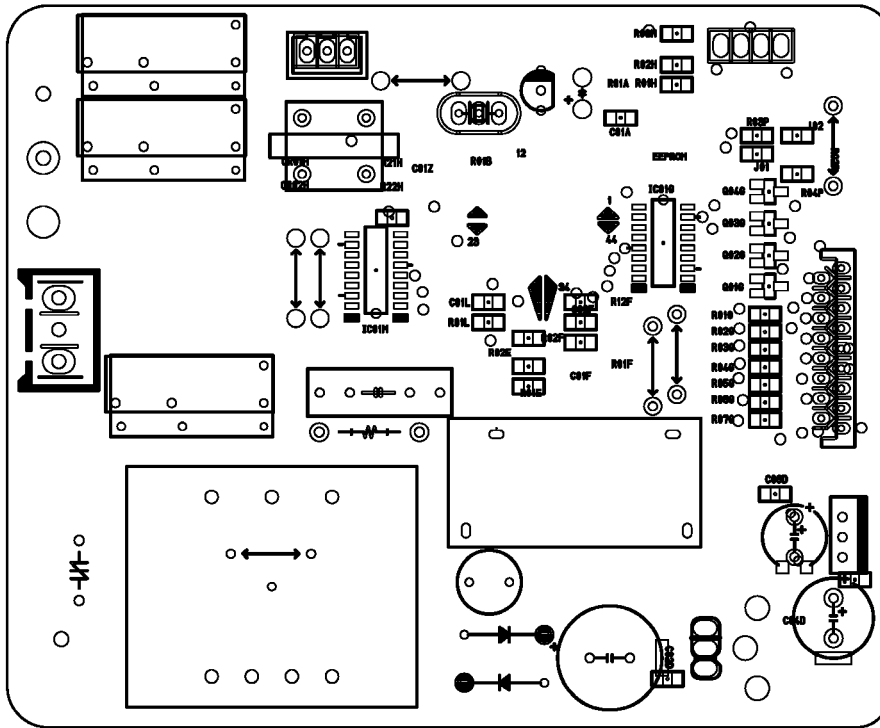
5.2 ELECTRONIC CONTROL DEVICE

■ MODEL: W081CM/W121CMW122CMW121CMH/W122CMH/W182CAW182CMW182CMH/W242CAW242CM

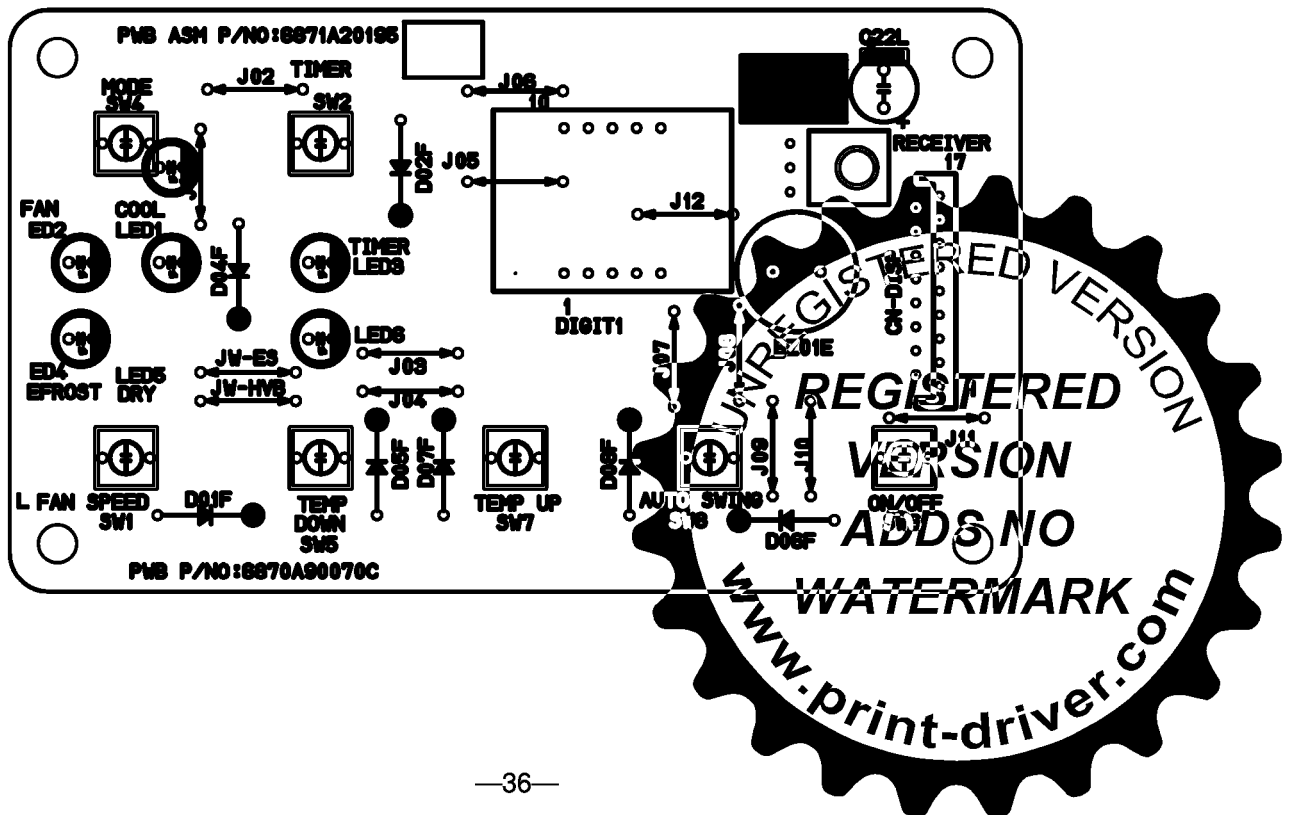


5.3 COMPONENTS LOCATION

■ MODEL: W081CM/W121CM/W122CM/W121CMH/W122CMH(Main PCB)

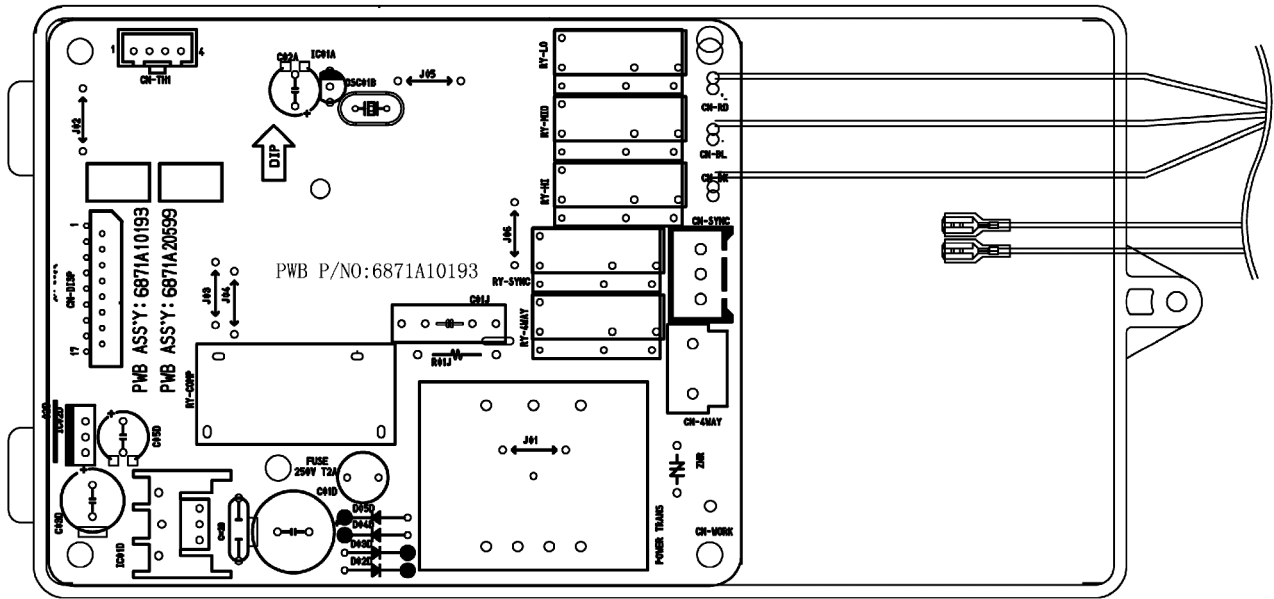


■ MODEL: W081CM/W121CM/W122CM/W121CMH/W122CMH(Display PCB)

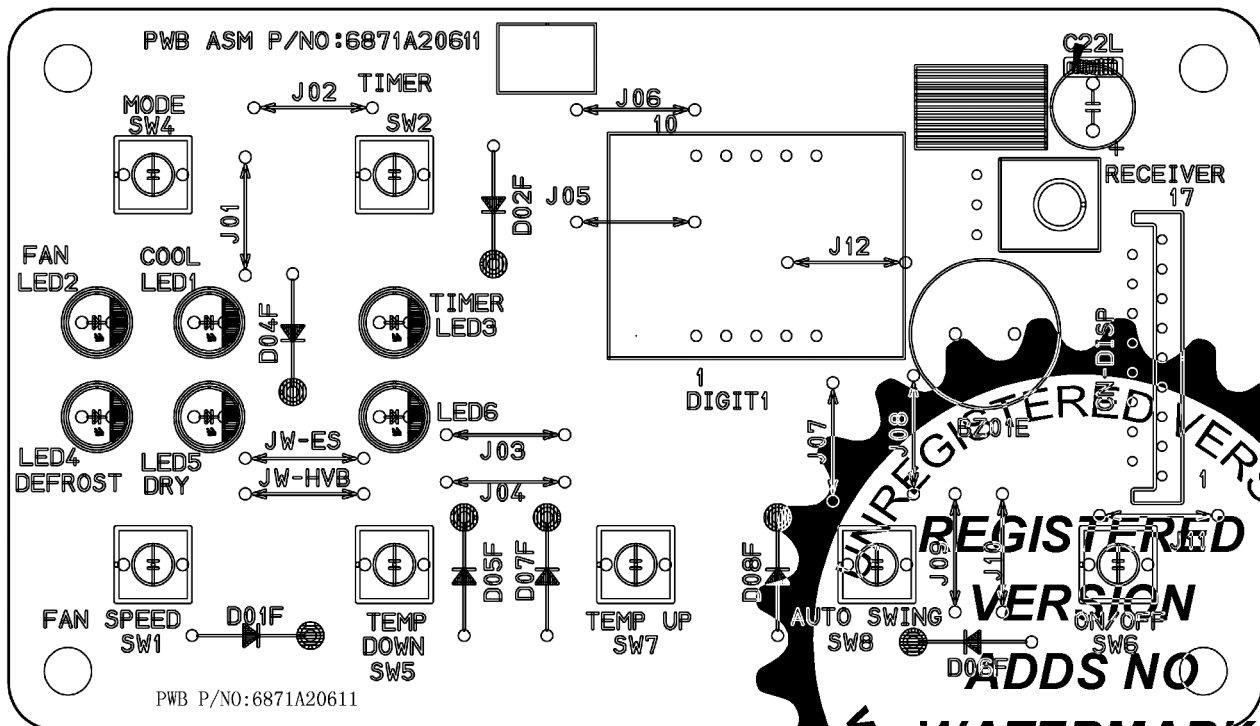


Components Location

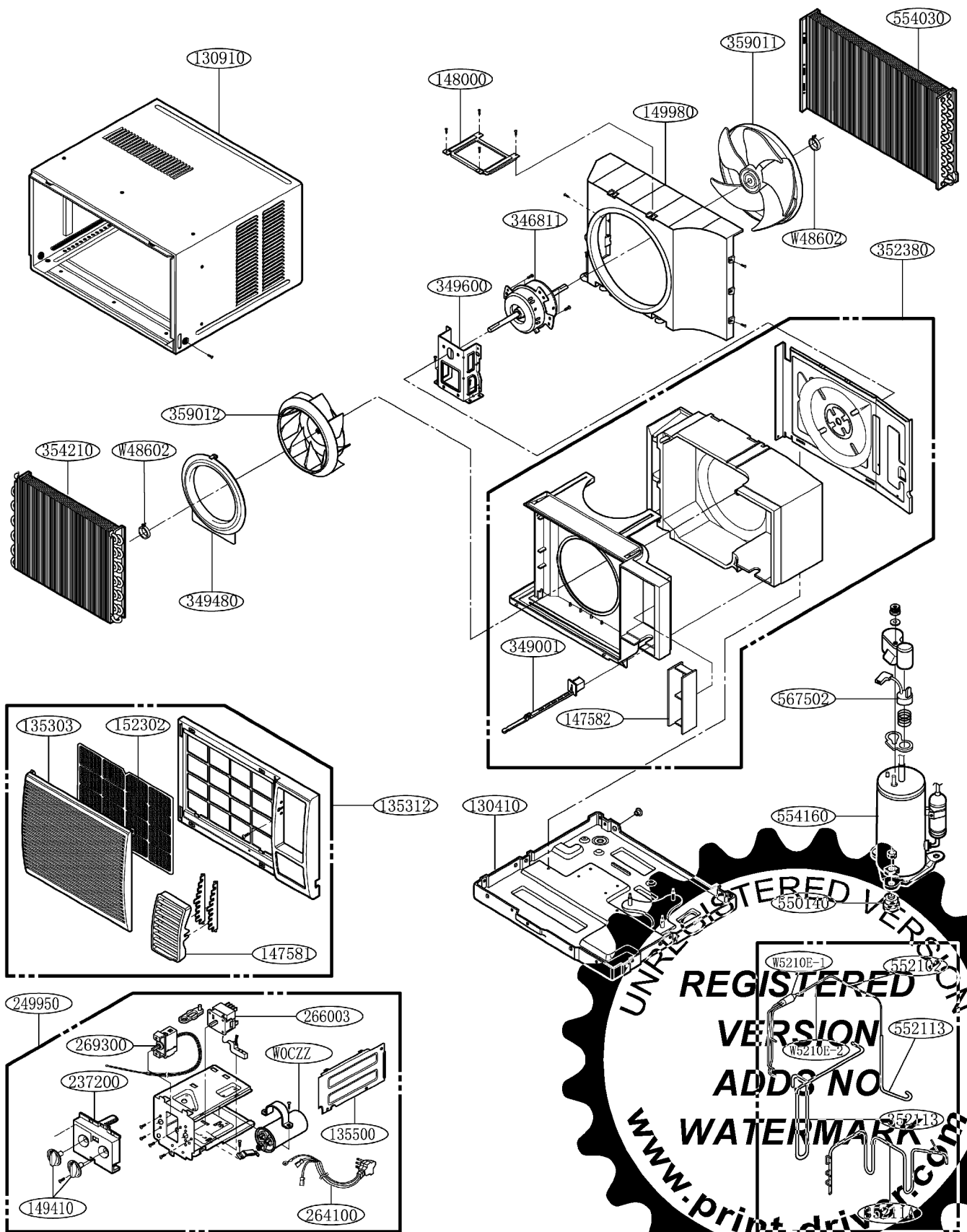
MODEL: W182CM/W182CMH/W242CM(Main PCB)



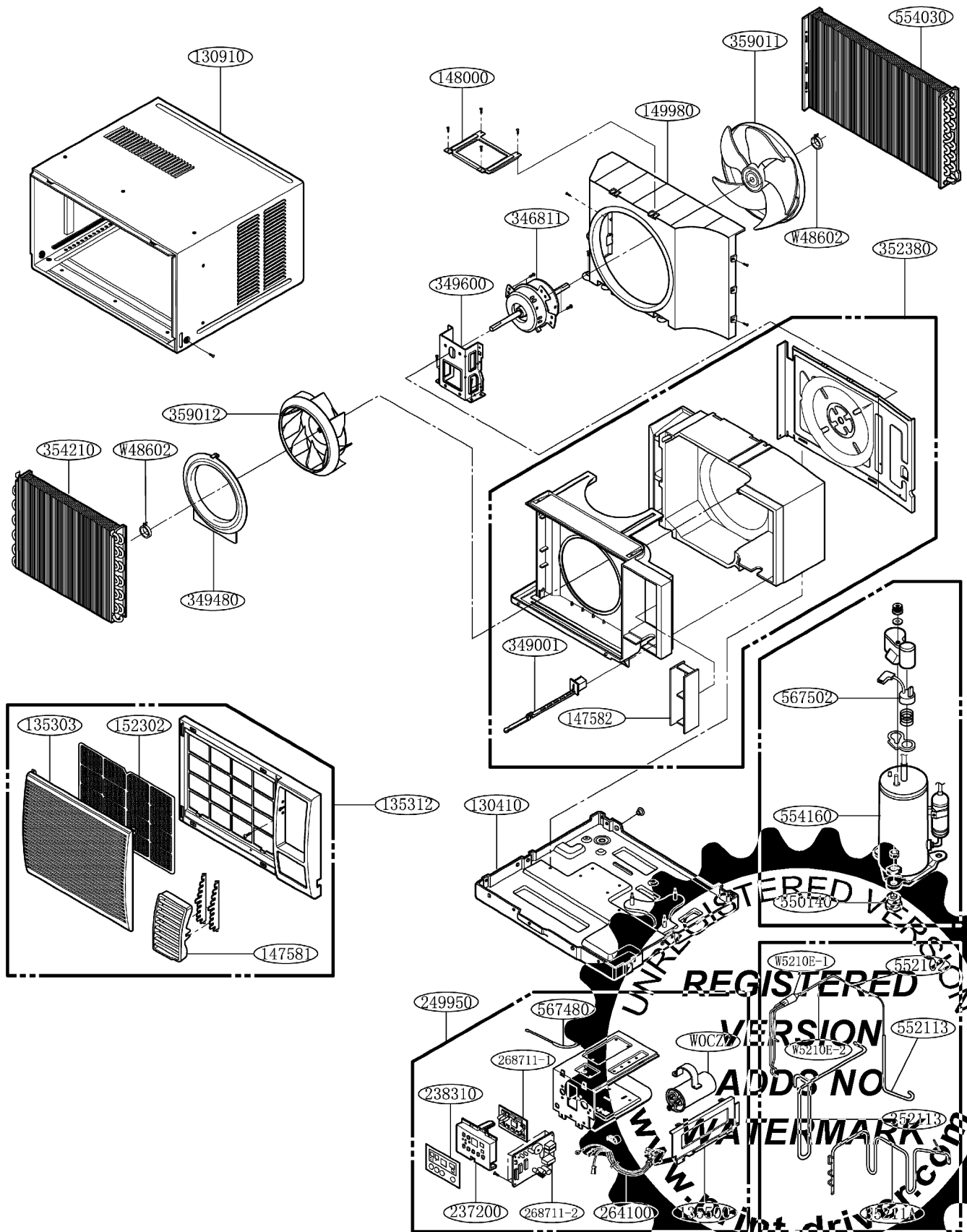
MODEL: W182CM/W182CMH/W242CM(Display PCB)



6. EXPLODED VIEW



6. EXPLODED VIEW



7. REPLACEMENT PARTS LIST

R: Service Parts
N: Non Service Parts

LOCATION NO	DESCRIPTION	PART NO (2005)			REMARK
		V081CA	W210M sc2	W210M sc3	
130410	BASE ASSEMBLY, SINGLE	3041A30011D	3041A20012R		R
130910	CABINET ASSEMBLY, SINGLE	3091A28001A	3091A20029D		R
135312	GRILLE ASSEMBLY, FRONT (SINGLE)	3531A20034N	3531A21008B	3531A21008F	R
135303	GRILLE ASSEMBLY, INLET	3530A10027A	3530A10182A		R
135500	COVER, CONTROL (INDOOR)	3550A30036B	3550AF7032A		R
237200	PANEL ASSEMBLY, CONTROL	3721A20037A	3720A10003A		R
147581	LOUVER, HORIZONTAL	4758A20002A	4758A20051A		R
147582	LOUVER, VERTICAL	4758A30008A	4758AF7308A		R
148000	BRACE	4800A30001A	4800A10001A		R
149410	KNOB ASSY	4941A30011A	-		R
149980	SHROUD	4998A10019A	4998A10020A	4998AF1496A	R
152302	FILTER (MECH), A/C	5231AF9001B	5231AR1152A		R
238310	ESCUTCHEON	-	38311A20155C		R
249950	CONTROL BOX ASSEMBLY, SINGLE	4995A20238A	4995A30014C		R
567480	THERMISTOR ASSEMBLY	-	6323A20003S		R
264100	POWER CORD ASSEMBLY	2F00677P	2F00677S		R
266003	SWITCH ROTARY	2F00598E	-		R
267110	REMOTE CONTROLLER ASSEMBLY	-	6711A20056L		R
268711-1	PANEL (POB) ASSEMBLY, DISPLAY	-	6871A20611F		R
268711-2	PANEL (POB) ASSEMBLY, MAIN	-	6871A10193B		R
269310	THERMOSTAT ASSEMBLY	2F01109L	-		R
346811	MOTOR ASSEMBLY, SINGLE	4681A20073Z	4681A20073B		R
349001	DAMPER, VERTICAL	4901A30001A	4900AF7024B		R
349480	CH FICE	4948A30007B	4948A10005B		R
349600	MOJNT, MOTOR	4960A20014A	4960A20005A		R
352113	TUBE ASSEMBLY, DISCHARGE SINGLE	5211A20708D	5211A20644A	5211AF2930A	R
352380	AIR GUIDE ASSEMBLY	5239A30002S	5239AF1523K		R
354210	EVAPORATOR ASSEMBLY, FIRST	5421A20061M	5421AF2910D	5421AF2912H	R
359012	FAN, TURBO	5900A10008A	5900A20030A		R
550140	ISOLATOR, COMP	5040AF1195A	4830AF1335A		R
552102	TUBE, CAPILLARY BEND	5211A30260B	5211A30260W	5211A20598F	R
552113	TUBE ASSEMBLY, CONDENSER OUT	5211A10067G	5211A10067E	5211AF7059A	R
554030	CONDENSER ASSEMBLY, FIRST	5403A20092E	5403A20083G	5403AF2921Q	R
554160	COMPRESSOR	2520UCB4002	2520UCB4003	2520UCB4118	R
359011	FAN, AXIAL	5900A20015B	5900A10009B		R
567502	O.L.P	6750U-L048A	6750U-L029A	6750U-L087A	R
35211A	TUBE ASSEMBLY, SUCTION INDOOR	5211A20130M	5211A20643A	5211AF2925H	R
V0CZZ	CAPACITOR	0CZZA20005B	0CZZA20001N		R
V18602	CLAMP, SPRING	3F02932B	3F02932B		R
V1210E-1	TUBE, EVAPORATOR	5210A20105J	5210A20051E	5210AF14373B	R
V1210E-2	TUBE, EVAPORATOR		5210A200351	5210AF14099E	R

(NOTE) *Please ensure GCSC since these parts may be changed depending upon the buyer's request.
(GCSC WEBSITE <http://biz.LGservice.com>)



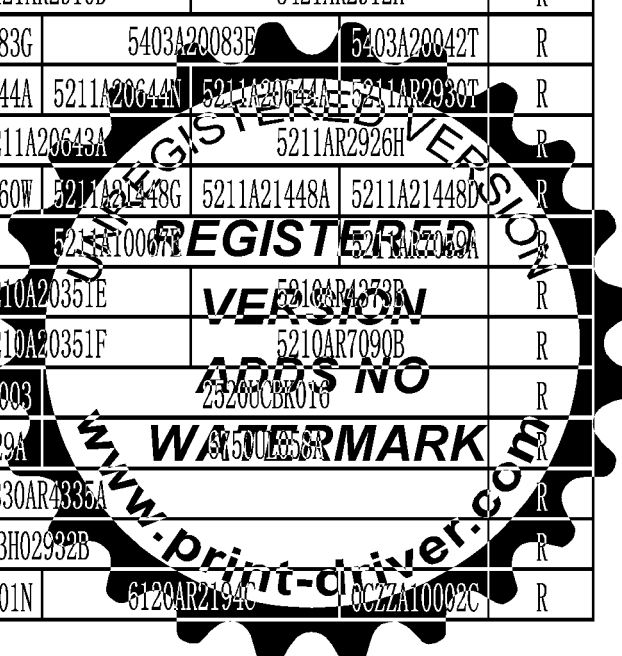
R: Service Parts
N: Non Service Parts

LOCATION NO.	DESCRIPTION	PART NO (2005)		REMARK
		W122CM. sc4	W122CMH	
130410	BASE ASSEMBLY, SINGLE	3041A20012R	3041A20012N	R
130910	CABINET ASSEMBLY, SINGLE	3091A20029D		R
135312	GRILLE ASSEMBLY, FRONT (SINGLE)	3531A21008B	3531A21008F	R
135303	GRILLE ASSEMBLY, INLET	3530A10182A	3530A10182A	R
135500	COVER, CONTROL (INDOOR)	3550AR7032A		R
237200	PANEL ASSEMBLY, CONTROL	3720A10003A		R
147581	LOUVER, HORIZONTAL	4758A20051A		R
147582	LOUVER, VERTICAL	4758AR7308A		R
148000	BRACE	4800A10001A		R
149980	SHROUD	4998A10020A	4998A10004A	R
152302	FILTER (MECH) , A/C	5231AR1152A		R
238310	ESCUTCHEO	3831A20155C		R
249950	CONTROL BOX ASSEMBLY, SINGLE	4995A30014D	4995A30014E	R
567480	THERMISTOR ASSEMBLY	6323A20003S		R
264100	POWER CORD ASSEMBLY	2H00677G		R
267110	REMOTE CONTROLLER ASSEMBLY	6711A20056L		R
268711-1	PWB (PCB) ASSEMBLY, DISPLAY	6871A20611F		R
268711-2	PWB (PCB) ASSEMBLY, MAIN	6871A10193C		R
346811	MOTOR ASSEMBLY, SINGLE	4681A20073D	4681A20174C	R
349001	DAMPER, VENTILATION	4900AR7024B		R
349480	ORIFICE	4948A10005B		R
349600	MOUNT, MOTOR	4960A20005A		R
352113	TUBE ASSEMBLY, DISCHARGE SINGLE	5211A20644N	5211AR2930T	R
352380	AIR GUIDE ASSEMBLY	5239AR1523K		R
354210	EVAPORATOR ASSEMBLY, FIRST	5421AR2910D	5421AR2912H	R
359012	FAN, TURBO	5900A20030A		R
550140	ISOLATOR, COMP	4830AR4335A		R
552102	TUBE, CAPILLARY BEND	5211A21448G	5211A21448D	R
552113	TUBE ASSEMBLY, CONDENSER OUT	5211A10067E	5211AR7059A	R
554030	CONDENSER ASSEMBLY, FIRST	5403A20083E	5403A20042T	R
554160	COMPRESSOR	2520UCBK016		R
359011	FAN, AXIAL	5900A10009B		R
567502	O. L. P	6750U-L058A		R
35211A	TUBE ASSEMBLY, SUCTION INDOOR	5211A20643A	5211AR2910F	R
W0CZZ	CAPACITOR	6120AR2194C	6120A10002C	R
W48602	CLAMP, SPRING	3H02032B		R
W5210E-1	TUBE, EVAPORATOR	5210A20351S	5210AR4873B	R
W5210E-2	TUBE, EVAPORATOR	5210A20351F	5210AR7090B	R

NOTE) *Please ensure GCSC since these parts may be changed depending upon the buyer's request.
(GCSC WEBSITE <http://biz.LGservice.com>)



LOCATION NO.	DESCRIPTION	PART NO(2006)						REMARK
		W091CA	W092CA	W121CA. sc2	W122CA. TSC4	W122CA. SC1	TWC123CBAA1	
130410	BASE ASSY, SINGLE	3041A28001B	3041A30005P	3041A20012R			3041A20012N	R
130910	CABINET ASSY, SINGLE	3091A28001A	3091A28001C	3091A20029D				R
135312	GRILLE ASSY, FRONT(SINGLE)	3531A20034N		3531A21008B		3531A21008G		R
135303	GRILLE ASSY, INLET	3530A10027A		3530A10182A				R
135500	COVER, CONTROL (INDOOR)	3550A30036B		3550AR7032A				R
147581	LOUVER, HORIZONTAL	4758A20002A		4758A20051A				R
147582	LOUVER, VERTICAL	4758A30008A		4758AR7308A				R
148000	SUPPORTER	4800A30001A		4800A10001A				R
149410	KNOB ASSY	4941A30011A		4941AR3705K				R
149980	SHROUD	4998A10019A	4998A10010A	4998A10020A		4998A10004A		R
152302	FILTER, A/C	5231A20004A		5231AR1152A		5231AR1152P		R
237200	PANEL ASSY, CONTROL	3721A30009U		AGL32261802		3721A20045Q		R
249950	CONTROL BOX ASSY(SINGLE)	4995A20238Y	4995A20238Z	4995A21001P	4995A21001Q		4995A21001U	R
264100	POWER CORD ASSY	2H00677R	2H00677G	2H00677S	2H00677G			R
266003	SWITCH ROTARY	2H00598E						R
269300	THERMOSTAT	2H01109L						R
346811	MOTOR ASSY, SINGLE	4681A20027J	4681A20073V	4681A20073B	4681A20073D	4681A20174C		R
349001	DAMPER, VENTILATION	4901A30001A		4900AR7024B				R
349480	ORIFICE	4948A30007B		4948A10005B				R
349600	MOUNT, MOTOR	4960A20014A		4960A20005A				R
352380	AIR GUIDE ASSY	5239A30002D		5239AR1523K				R
359011	FAN, AXIAL	5900A20015A		5900A10009B				R
359012	FAN, TURBO	5900A10008A		5900A20030A				R
354210	EVAPORATOR ASSY, FIRST	5421A20132B		5421AR2910D		5421AR2912H		R
554030	CONDENSER ASSY, FIRST	5403A20092E	5403A20213C	5403A20083G	5403A20083E	5403A20042T		R
352113	TUBE ASSY, DISCHARGE	5211A20708H	5211A21201A	5211A20644A	5211A20644N	5211A20644A	5211AR2938T	R
35211A	TUBE ASSY, SUCTION	5211A21736B	5211A20130P	5211A20643A		5211AR2926H		R
552102	TUBE CAPILLARY BEND	5210A00040D	5210A00040C	5211A30260W	5211A21448G	5211A21448A	5211A21448D	R
552113	TUBE ASSY CONDENSER OUT	5211A10067G	5211AR7059A	5211A10067T		5211A20050A		R
W5210E-1	TUBE EVAPORATOR	5211A20131L	5210A21847C	5210A20351E		5210AR1373B		R
W5210E-2	TUBE EVAPORATOR	—	5210A21847D	5210A20351F		5210AR7090B		R
554160	COMPRESSOR	2520UCAK048	2520UCBK021	2520UCBK003	2520UCBK016			R
567502	O. L. P	6750UL031A	6750UL039A	6750UL029A	6750UL058A			R
550140	ISOLATOR, COMP	4830AR4335A						R
W48602	CLAMP, SPRING	3H02932B						R
W0CZZ	CAPACITOR	0CZZA20001N	6120AR2194A	0CZZA20001N	6120AR2194C	0CZZA10092C		R



Replacement Parts List

LOCATION NO.	DESCRIPTION	PART NO(2007)	REMARK
		W121CM SC4	
130410	BASE ASSEMBLY,SINGLE	3041A20012R	R
130910	CABINET ASSEMBLY,SINGLE	3091A20029D	R
135312	GRILLE ASSEMBLY,FRONT(SINGLE)	3531A21008B	R
135303	GRILLE ASSEMBLY,INLET	3530A10182A	R
237200	PANEL ASSEMBLY,CONTROL	3720A10003A	R
135500	COVER ASSEMBLY,CONTROL(SINGLE)	3550AR7032A	R
147582	LOUVER,VERTICAL	4758AR7308A	R
147581	LOUVER,HORIZONTAL	4758A20051A	R
148000	SUPPORTER	4800A10001A	R
149980	SHROUD	4998A10020A	R
249950	CONTROL BOX ASSEMBLY,SINGLE	4995A30014Q	R
152302	FILTER(MECH),A/C	5231AR1152A	R
238310	ESCUTCHEON	3831A20155C	R
264100	POWER CORD ASSEMBLY	2H00677S	R
567480	THERMISTOR ASSEMBLY	6323A20003S	R
267110	REMOTE CONTORLLERASSY	6711A20056L	R
268711-1	PWB(PCB)ASSY,DISPLAY	6871A20611F	R
268711-2	PWB(PCB)ASSY,MAIN	6871A10193B	R
349011	DAMPER,VENT	4900AR7024B	R
346811	MOTOR ASSENMLY,AC,SINGLE	4681A20073B	R
349480	ORIFICE	4948A10005B	R
349600	BRACKET,MOTOR	4960A20005A	R
352380	AIR GUIDE ASSEMBLY	5239AR1523K	R
359012	FANASSY,BLOWER	5900A20030A	R
359011	FAN ASSEMBLY,AXIAL	5900A10009B	R
354210	EVAPORATOR ASSEMBLY,FIRST	5421AR2910D	R
550140	Damper,Compressor	4830AR4335A	R
554030	CONDENSER ASSEMBLY,BENDING	5403A20083C	R
35211A	Tube Assembly,Suction	5211A20643C	R
55210•	Tube,Capillary Bending	5211A30260V	R
554160	COMPRESSOR	40CB62678802	R
567502	O.L.P	EAF36097202	R
352113	TUBE ASSEMBLY,DISCHARGE SINGLE	5211A20643A	R
552113	TUBE ASSEMBLY,CONDENSER(OUT)	5211A10067R	R
W48602	CLAMP,SPRING	3H00912R	R
W0CZZ	CAPACITOR	G120AP2194K	R
W5210E-1	TUBE,EVAPORATOR	5210A20351E	R
W5210E-2	TUBE,EVAPORATOR	5210A20351F	R



LOCATION NO.	DESCRIPTION	PART NO(2006)				REMARK
		W182CA	W242CA	W182CM	W242CM	
130410	BASE ASSEMBLY,SINGLE	3041A10008R	3041A10008V	3041A10008R	3041A10008V	R
130910	CABINET ASSEMBLY,SINGLE	3091AR6056N				R
135312	GRILLE ASSEMBLY,FRONT(SINGLE)	3531A11002A				R
135313	GRILLE ASSEMBLY,INLET	3530A10189A				R
135500	COVER,CONTROL(INDOOR)	3551A30015A				R
137215	PANEL ASSEMBLY,CONTROL	3721A20058N		3720AR6163A		R
147581	VANE,HORIZONTAL	5990A20032A				R
147582	VANE,HORIZONTAL	5990A20032A				R
148000	BRACE	4800AR7271A				R
149410	KNOB ASSY	4941A30001A				R
149980	SHROUD	4998AR1597B				R
152302	FILTER(MECH),A/C	5231AR6159A				R
238310	ESCUTCHEON	-		3831A20032B		R
249950	CONTROL BOX ASSEMBLY,SINGLE	4995A20610P	4995A20610Q	4995A20613Q	4995A20613R	R
263230	THERMISTOR ASSEMBLY	6323A20003D				R
264110	POWER CORD ASSEMBLY	2H00677Q	2H00677U	2H00677Q	2H00677U	R
266003	SWITCH ROTARY	2H00598E				R
267110	REMOTE CONTROLLER ASSEMBLY	-		6711A20056M		R
268712	PWB(PCB) ASSEMBLY,DISPLAY	-		6871A20611C		R
268714	PWB(PCB) ASSEMBLY,MAIN	-		6871A10193A		R
269310	THERMOSTAT ASSEMBLY	2H01109L		-		R
346811	MOTOR ASSEMBLY,SINGLE	4681A20081T	4681A20130E	4681A20081T	4681A20130E	R
349001	DAMPER,VENTILATION	4900AR7265A				R
349480	ORIFICE	4948A20016A				R
349600	MOUNT,MOTOR	4960AR1596A	4960A10006A	4960AR1596A	4960A10006A	R
352113	TUBE ASSEMBLY,DISCHARGE SINGL	5211A25040B	5211A21526J	5211A25040B	5211A21526J	R
352390	AIR GUIDE ASSEMBLY	5239A20001W				R
354210	EVAPORATOR ASSEMBLY,FIRST	5421A20248B	5421A20248F	5421A20248B	5421A20248F	R
359012	FAN,TURBO	5900A20027A				R
550140	ISOLATOR,COMP	4H00982C	4022U-L005A	4H00982C	4022U-L005A	R
552102	TUBE,CAPILLARY BEND	5210A24956H	5210A24956J	5210A24956H	5210A24956J	R
552113	TUBE ASSEMBLY,CONDENSER OUT	5211AR7059A	5211AR7059E	5211AR7059A	5211AR7059E	R
554030	CONDENSER ASSEMBLY,FRIST	5403A20062L				R
554160	COMPRESSOR	2520UCBJ002	5416A20045B	2520UCBJ002	5416A20045B	R
559010	FAN,AXIAL	5900AR1508B				R
35211A	TUBE ASSEMBLY,SUCTION INDOOR	5211A10247P	5211A10094P	5211A10247P	5211A10094P	R
W0CZZ	CAPACITOR	6120AR2194F	0CZZA20001X	6120AR2194F	0CZZA20001X	R
W48602	CLAMP,SPRING	3H02932C				R
W52106-1	TUBE,EVAPORATOR	5210A21083B	5210A30144V	5210A21083B	5210A30144V	R
W52106-2	TUBE,EVAPORATOR	5210A21083C	5210A30144V	5210A21083C	5210A30144V	R

NOTE) *Please ensure GCSC since these parts may be changed depending upon the buyer's request.

(GCSC WEBSITE <http://biz.LGservice.com>)



LOCATION NO.	DESCRIPTION	PART NO (2006)	REMARK
		W182CMH TSN1	
130410	BASE ASSEMBLY,SINGLE	3041A10008X	R
130910	CABINET ASSEMBLY,SINGLE	3091AR6056N	R
135312	GRILLE ASSEMBLY,FRONT(SINGLE)	3531A11002A	R
135313	GRILLE ASSEMBLY,INLET	3530A10189A	R
135500	PWB(PCB) ASSEMBLY,DISPLAY	6871A20611C	R
147582	LOUVER,VERTICAL	4758AR6157A	R
147581-1	VANE,HORIZONTAL	5990A20032A	R
147582-2	VANE,HORIZONTAL	5990A20033A	R
148000	ESCUTCHEON	3831A20032B	R
148000	BRACE	4800AR7271A	R
149410	PWB(PCB) ASSEMBLY,MAIN	6871A10193A	R
149980	SHROUD	4998AR1597B	R
152302	FILTER(MECH),A/C	5231AR6159A	R
249950	CONTROL BOX ASSEMBLY,SINGLE	4995A20613W	R
264110	POWER CORD ASSEMBLY	2H00677Q	R
266003	REMOTE CONTROLLER ASSEMBLY	6711A20056M	R
269310	THERMISTOR ASSEMBLY	6323A20003D	R
346811	MOTOR ASSEMBLY,SINGLE	4681A20130F	R
349480	ORIFICE	4948A20016A	R
349600	AIR GUIDE ASSEMBLY	5239A20001W	R
359012	FAN,TURBO	5900A20027A	R
559010	FAN,AXIAL	5900AR1508B	R
354210	EVAPORATOR ASSEMBLY,FIRST	5421A20248E	R
554030	CONDENSER ASSEMBLY,FRIST	5403A20232C	R
35211A	TUBE ASSEMBLY,SUCTION SINGLE	5211A30250G	R
552111	TUBE,CAPILLARY BEND	5211A21444A	R
352115-1	TUBE,EVAPORATOR IN	5210A22224T	R
352115-2	TUBE,EVAPORATOR IN	5210A22224U	R
352115-3	TUBE,EVAPORATOR IN	5210A22224W	R
554160	COMPRESSOR	2520UCB,013	R
550140	ISOLATOR,COMP	4022A30008A	R
W48602	CLAMP,SPRING	3H02932C	R
W0CZZ	CAPACITOR	2H01451M	R

NOTE) *Please ensure GCSC since these parts may be changed depending upon the buyer's request.
(GCSC WEBSITE <http://biz.LGservice.com>)



Replacement Parts List

LOCATION NO.	DESCRIPTION	PART NO(2007)	REMARK
		W242CM TSN2	
130410	BASE ASSEMBLY,SINGLE	3041A30001F	R
130910	CABINET ASSEMBLY,SINGLE	3091AR6056N	R
135312	GRILLE ASSEMBLY,FRONT(SINGLE)	3531A11002A	R
135313	GRILLE ASSEMBLY,INLET	3530A10189A	R
137215	PANEL ASSEMBLY,CONTROL	3720AR6163A	R
135500	COVER ASSEMBLY,CONTROL(SINGLE)	3551A30015A	R
147582	LOUVER,VERTICAL	4758AR6157A	R
147581-1	LOUVER,HORIZONTAL	5990A20032A	R
147581-2	LOUVER,HORIZONTAL	5990A20033A	R
148000	SUPPORTER	4800AR7271A	R
149410	KNOB ASSEMBLY	-	R
149980	SHROUD	4998AR1597B	R
152302	FILTER(MECH),A/C	5231AR6159A	R
238310	ESCUTCHEON	3831A20155D	R
264110	POWER CORD ASSEMBLY	2H00677U	R
263230	THERMISTOR ASSEMBLY(电子)	6323A20003S	R
266002	SWITCH ROCKER	-	R
266003	SWITCH ROTARY	-	R
269310	THERMOSTAT (机械)	-	R
267110	REMOTE CONTORLLERASSY	6711A20056M	R
268712	PWB(PCB)ASSY,DISPLAY	6871A20611C	R
268714	PWB(PCB)ASSY,MAIN	6871A10193A	R
349011	DAMPER,VENT	4900AR7265A	R
346811	MOTOR ASSENMLY,AC,SINGLE	4681A20081W	R
349480	ORIFICE	4948A20016A	R
349600	BRACKET,MOTOR	4960AR1596A	R
352390	AIR GUIDE ASSEMBLY	5239A20001W	R
359012	FANASSY,TURBO	5900A20027A	R
359012	FANASSY,BLOWER	-	R
559010	FAN ASSEMBLY,AXIAL	5900AR1508B	R
354210	EVAPORATOR ASSEMBLY,FIRST	5421A20248F	R
554031	CONDENSER ASSEMBLY,BENDING	5403A20062M	R
554030	CONDENSER ASSEMBLY,FIRST	-	R
35211A	TUBE ASSEMBLY,SUNCTION	5211A200894P	R
552116	TUBE ASSEMBLY,REVERSE	-	R
552101	TUBE,CAPILLARY	3H02633C	R
554160	COMPRESSOR	5416A20045B	R
146812	MOTOR ASSEMBLY,SYNC	2H01102J	R
352115	TUBE ASSEMBLY,CONDENSER(OUT)	5211AR7059E	R
552202	VALVE,REVERSE	-	R
552204	VALVE,SOLENOID	-	R
561410	SOLENOID	-	R
W48602	CLAMP,SPRING	3H02932C	R



Replacement Parts List

LOCATION NO.	DESCRIPTION	W242CA TSN2	REMARK
130410	BASE ASSEMBLY,SINGLE	3041A30001F	R
130910	CABINET ASSEMBLY,SINGLE	3091A20001F	R
135312	GRILLE ASSEMBLY,FRONT(SINGLE)	3531A11002A	R
135313	GRILLE ASSEMBLY,INLET	3530A10189A	R
137215	PANEL ASSEMBLY,CONTROL (机械)	3721A20058N	R
135500	COVER ASSEMBLY,CONTROL(SINGLE)	3551A30015A	R
147582	LOUVER,VERTICAL	4758AR6157A	R
147581-1	LOUVER,HORIZONTAL	5990A20032A	R
147581-2	LOUVER,HORIZONTAL	5990A20033A	R
148000	SUPPORTER	4800AR7271A	R
149980	SHROUD	4998AR1597B	R
152302	FILTER(MECH),A/C	5231AR6159A	R
238310	ESCUTCHEON (电子)	-	R
264110	POWER CORD ASSEMBLY	3H01307D	R
269310	THERMOSTAT ASSEMBLY(机械)	2H01109L	
263230	THERMISTOR ASSEMBLY (电子)	-	R
267110	REMOTE CONTORLLERASSY (电子)	-	R
268712	PWB(PCB)ASSY,DISPLAY (电子)	-	R
268714	PWB(PCB)ASSY,MAIN (电子)	-	R
349011	DAMPER,VENT	4900AR7265A	R
346811	MOTOR ASSENMLY,AC,SINGLE	4681A20081K	R
349480	ORIFICE	4948A20016A	R
349600	BRACKET,MOTOR	4960AR1596A	R
352390	AIR GUIDE ASSEMBLY	5239A20001W	R
359012	FAN,TURBO	5900A20027A	R
559010	FAN ASSEMBLY,AXIAL	5900AR1508B	R
354210	EVAPORATOR ASSEMBLY,FIRST	5421A20248F	R
554030	CONDENSER ASSEMBLY,BENDING	5403A20232B	R
35211A	TUBE ASSEMBLY,SUNCTION	5211A10094Q	R
552101	TUBE,CAPILLARY	5210A24956K	R
554160	COMPRESSOR	5416A20014H	R
146812	MOTOR ASSEMBLY,SYNC	2H01102J	R
352115	TUBE ASSEMBLY,CONDENSER(OUT)	5211A10067L	R
552204	VALVE,SOLENOID	-	R
W48602	CLAMP,SPRING	3H02933C	R
W0CZZ	CAPACITOR	0CZZA20061X	R
W52106-1	TUBE,EVAPORATOR	5210A25040H	R
W52106-2	TUBE,EVAPORATOR	5210A25040D	R



MEMO



MEMO

Series of horizontal dotted lines for writing.





LG Electronics Inc.



Free Manuals Download Website

<http://myh66.com>

<http://usermanuals.us>

<http://www.somanuals.com>

<http://www.4manuals.cc>

<http://www.manual-lib.com>

<http://www.404manual.com>

<http://www.luxmanual.com>

<http://aubethermostatmanual.com>

Golf course search by state

<http://golfingnear.com>

Email search by domain

<http://emailbydomain.com>

Auto manuals search

<http://auto.somanuals.com>

TV manuals search

<http://tv.somanuals.com>