



**DLE5911W
DLE2511W
DLE5932W
DLE2532W
DLG5911W
DLG2511W
DLG5932W
DLG2532W**

Owner's Manual Electric and Gas Dryer

Thank you for buying an LG dryer.

Please read your owner's manual carefully, as it provides instructions on safe installation, use, and maintenance.

Retain it for future reference and record the model and serial numbers of your dryer.

MANUAL DEL PROPIETARIO Secadora de Eléctrica y Gas

Gracias por comprar una secadora Completamente Automática LG.

Por favor lea su manual del propietario cuidadosamente, ya que le proveerá de instrucciones sobre la segura instalación, manejo y mantenimiento.

Consérvelo para futuras referencias, archive el modelo y números de serie de su secadora.

TABLE OF CONTENTS

| | |
|--------------------------------------------------|--------------|
| SAFETY INSTRUCTIONS | 2-5 |
| BEFORE USING YOUR NEW DRYER..... | 2 |
| IMPORTANT SAFETY INSTRUCTIONS | 3 |
| LG DRYER WARRANTY | 5 |
| INSTALLATION INSTRUCTIONS | 6-21 |
| INSTALLING THE DRYER | 7 |
| DOOR REVERSAL PROCEDURE | 10 |
| MANUFACTURED (MOBILE) HOME INSTALLATION..... | 11 |
| ELECTRICAL REQUIREMENTS - ELECTRICAL DRYER | 12 |
| ELECTRICAL REQUIREMENTS - GAS DRYER..... | 16 |
| GAS REQUIREMENT | 18 |
| EXHAUST REQUIREMENTS | 19 |
| OPERATION INSTRUCTIONS | 22-28 |
| USER • MAIN • TENANCE | 22 |
| FEATURES AND BENEFITS..... | 23 |
| TROUBLESHOOTING TIPS | 29-30 |
| BEFORE YOU CALL FOR SERVICE | 28 |
| CUSTOMER SERVICE | 30-31 |
| SERVICE TELEPHONE NUMBER | 30 |
| LG DRYER LIMITED WARRANTY | 31 |

BEFORE USING YOUR NEW DRYER

Please read this manual. It will help you install and operate your new LG dryer in the safest and most economical way.

If you need more information about the care and operation of LG appliances, call your nearest LG store. You will need the complete model and serial numbers when requesting information.

Your dryer's model and serial numbers are located on the Model and Serial Number Plate located on the front of the dryer behind the door.

LG SERVICE Call : 1-877-714-7483

Use the space below to record the model number and serial number of your new LG dryer.

Model No. _____

Serial No. _____

Date of Purchase _____

IMPORTANT SAFETY INSTRUCTIONS

READ ALL INSTRUCTIONS BEFORE USING.

WARNING!

For your safety, the recommendations in this manual must be followed.. To reduce the risk of fire or explosion, electric shock, or to prevent property damage, personal injury, or death when using your appliance, follow basic precautions, including the following.

- **Do not store or use gasoline or other flammable vapors and liquids in the vicinity of this or any other appliance.**
- **Installation and service must be performed by a qualified installer or service agency.**

WHAT TO DO IF YOU SMELL GAS:

- **Do not try to light a match, or cigarette, or turn on any gas or electrical appliance.**
- **Do not touch any electrical switches. Do not use any phone in your building.**
- **Clear the room, building or area of all occupants.**
- **Immediately call your gas supplier from a neighbor's phone. Follow the gas supplier's instructions carefully.**
- **If you cannot reach your gas supplier, call the fire department.**

California Safe Drinking Water and Toxic Enforcement Act

This act requires the governor of California to publish a list of substances known to the state to cause cancer, birth defects or other reproductive harm and requires businesses to warn customers of potential exposure to such substances.

Gas appliances can cause minor exposure to four of these substances, namely benzene, carbon monoxide, formaldehyde and soot, caused primarily by the incomplete combustion of natural gas or LP fuels.

Properly adjusted dryers will minimize combustion. Exposure to these substances can be minimized further by properly venting the dryer to the outdoors.

IMPORTANT SAFETY INSTRUCTIONS

IMPORTANT SAFETY INSTRUCTIONS

WARNING - To reduce the risk of fire, electric shock, or injury to persons when using your appliance, follow basic precautions, including the following:

- 1) Read all instructions before using the appliance.
- 2) Do not dry articles that have come into contact with gasoline, dry-cleaning solvents, or other flammable or explosive substances, as they give off vapors that could ignite or explode.
- 3) Do not allow children to play on or in the appliance. Close supervision of children is necessary when using the appliance.
- 4) Before the appliance is removed from service or discarded, remove the door to the drying compartment.
- 5) Do not reach into the appliance if the drum is moving.
- 6) Do not install or store this appliance where it will be exposed to the weather.
- 7) Do not tamper with controls.
- 8) Do not repair or replace any part of the appliance or attempt any servicing unless specifically recommended in the user-maintenance instructions.
- 9) Do not use heat to dry articles containing foam rubber or similarly textured rubber-like materials.
- 10) Clean lint screen before or after each load.
- 11) Keep area around the exhaust opening and adjacent surrounding areas free from the accumulation of lint, dust, and dirt.
- 12) The interior of the appliance and exhaust duct should be cleaned periodically by qualified service personnel.
- 13) Do not place items exposed to cooking oils in your dryer. Items contaminated with cooking oils may contribute to a chemical reaction that could cause a load to catch fire.
- 14) Do not use fabric softeners or products to eliminate static unless recommended by the manufacturer of the fabric softener or product.

SAVE THESE INSTRUCTIONS

For a grounded, cord-connected appliance:

GROUNDING INSTRUCTIONS

This appliance must be grounded. In the event of malfunction or breakdown, grounding will reduce the risk of electric shock by providing a path of least resistance for electric current. This appliance is equipped with a cord having an equipment-grounding conductor and a grounding plug. The plug must be plugged into an appropriate outlet that is properly installed and grounded in accordance with all local codes and ordinances.

WARNING - Improper connection of the equipment-grounding conductor can result in a risk of electric shock. Check with a qualified electrician or service person if you are in doubt as to whether the appliance is properly grounded.

Do not modify the plug provided with the appliance: if it will not fit the outlet, have a proper outlet installed by a qualified electrician.

For a permanently connected appliance:

GROUNDING INSTRUCTIONS

This appliance must be connected to a grounded metal permanent wiring system. Alternatively, an equipment-grounding conductor must be run with the circuit conductors and connected to the equipment-grounding terminal or lead on the appliance.

LG DRYER WARRANTY

Full One Year Warranty on Mechanical and Electrical Parts

For one year from the date of purchase, if this dryer is installed and operated according to the instructions in this manual, LG will repair or replace any of its mechanical or electrical parts if they are defective in material or workmanship.

NOTE : Exhausting your dryer with a plastic vent may void this warranty. Refer to section on **Dryer Exhaust Requirements**.

Warranty Restriction

If the dryer is subjected to other than private family

use, all warranty coverage is effective for only 90 days.

Warranty Service

Warranty service is available by contacting your nearest LG Service Center in the United States. www.LGESERVICE.COM

This warranty applies only while this dryer is in use in the United States.

This warranty gives you specific legal rights, and you may also have other rights which vary from state to state.

LG & You, A Service Partnership.

IMPORTANT!

Staple sales slip or cancelled check here.

Proof of the original purchase date is needed to obtain service under the warranty.

FOR YOUR RECORDS

Write the model and serial numbers here:

They are on the label on the front of the dryer behind the door.

READ THIS MANUAL

Inside you will find many helpful hints on how to use and maintain your dryer properly. Just a little preventive care on your part can save you a great deal of time and money over the life of your dryer.

PROPER VENTING

For the best drying performance the dryer needs to be properly vented. The dryer will use more energy and take longer to dry if it is not vented to the specifications outlined in the *Venting the Dryer* section in this manual and the *Exhausting* section in the Installation Instructions.

IF YOU NEED SERVICE

You'll find many answers to common problems in the Troubleshooting Tips section. If you review our chart of Troubleshooting Tips first, you may not need to call for service.

If you do need service, you can relax knowing help is only a phone call away. A list of toll-free customer service numbers is included in the back section. In the U.S., you can always call the LG Answer Center. (SERVICE Call No. 1-877-714-7483)

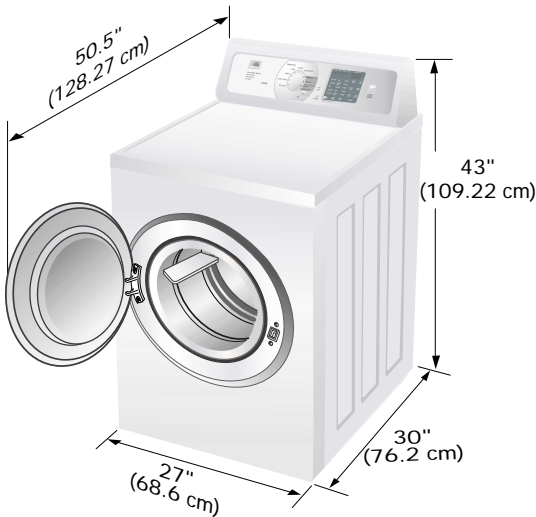
INSTALLATION INSTRUCTIONS

Safety Instructions

Installation clearances

The location must be large enough to fully open the dryer door.

Dryer Dimensions



Installation Instructions

Operating Instruction

Troubleshooting Tips

Customer Service

* Most installations require a minimum 5 1/2 in. (14 cm) clearance behind the dryer for the exhaust vent with elbow.

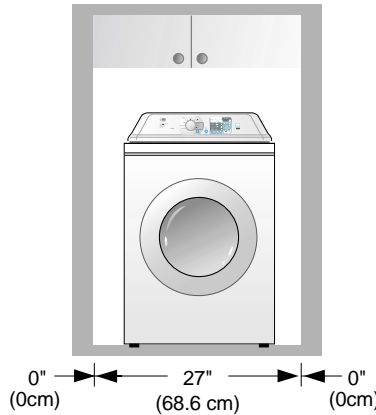
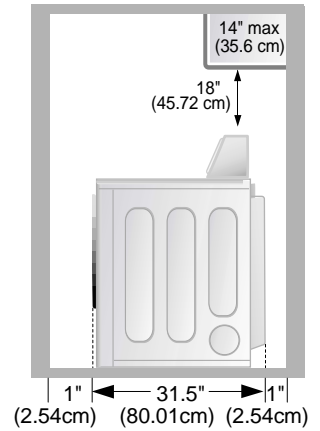
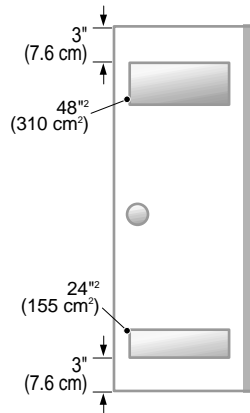
Minimum installation spacing for a recessed area, customized undercounter or closet installation

The following dimensions shown are for the minimum spacing allowed.

- Additional spacing should be considered for installation and servicing.
- Additional clearances might be required for wall, door and floor moldings.
- Additional spacing of 1 in. (2.5 cm) on all sides of the dryer is recommended to reduce noise transfer.
- For closet installation with a door, minimum ventilation openings in the top and bottom of the door are required. Louvered doors with equivalent ventilation openings are acceptable.

Companion appliance spacing should also be considered.

Closet installation - Dryer only



INSTALLING THE DRYER

Step 1 : Position and Level the Dryer

For further assistance refer to section on **Location Requirements**.

Place the dryer in position, and adjust the legs until the dryer is level from side to side and front to back.

Level floor : Maximum slope under entire dryer should not be more than 2.5cm (1 inch). If slope is greater than 2.5 cm (1inch), clothes may not tumble properly and automatic sensor cycles may not operate correctly if dryer is not level.

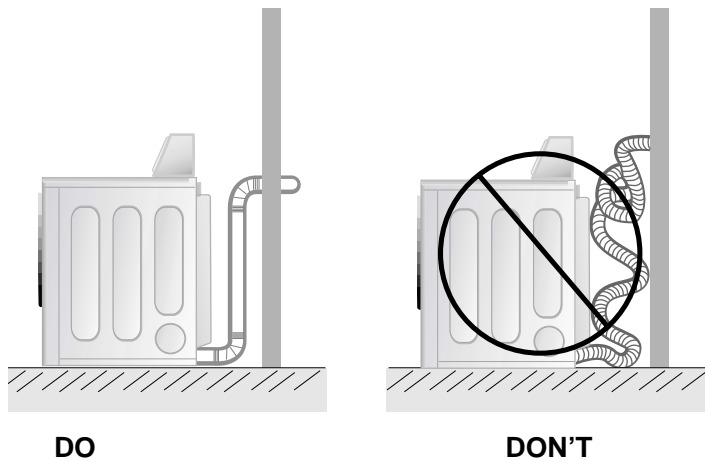
Step 2 : Connect Dryer Exhaust System

For further assistance refer to sections on Location Requirements and Dryer Exhaust Requirements.

WARNING

A clothes dryer produces combustible lint. To reduce the risk of fire and combustion gas accumulation the dryer **MUST** be exhausted to the outdoors.

- DO NOT use plastic or thin foil ducting.
- Locate dryer so exhaust duct is as short as possible.
- Be certain old ducts are cleaned before installing your new dryer.
- Use 4" (10.2 cm) diameter rigid or flexible metal duct.
- The male end of each section of duct must point away from the dryer.
- Use as few elbows as possible.
- Use duct tape on all duct joints.
- Ductwork that runs through unheated areas must be insulated to help reduce condensation and lint build-up on pipe walls.
- Failure to exhaust dryer properly will void warranty.



DO

DON'T

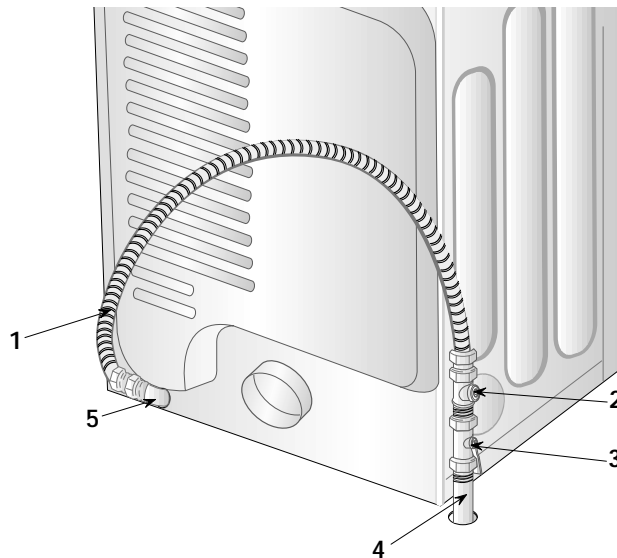
NOTE : Venting materials are not supplied with the dryer (obtain locally).

INSTALLING THE DRYER

Step 3 : Connect Gas Supply Pipe (Gas Dryer ONLY)

For further assistance, refer to section on **Gas Requirements**.

1. Make certain your dryer is equipped for use with the type of gas in your laundry room. Dryer is equipped at the factory for **Natural Gas** with a 3/8" N.P.T. gas connection.
2. Remove the shipping cap from the gas connection at the rear of the dryer. Make sure you do not damage the pipe thread when removing the cap.
3. Connect to gas supply pipe using a new flexible stainless steel connector.
4. Tighten all connections securely. Turn on gas and check all pipe connections (internal & external) for gas leaks with a non-corrosive leak detection fluid.
5. For L.P. (Liquefied Petroleum) gas connection, refer to section on Gas Requirements.



- | | | | |
|---|---------------------------------------------------------------------------------------------------------------------|---|--------------------------------------------------------------------------------------------------------|
| 1 | New Stainless Steel Flexible Connector - Use only if allowed by local codes (Use Design A.G.A. Certified Connector) | 4 | Black Iron Pipe Shorter than 20' (6.1 m) - Use 3/8" pipe Longer than 20' (6.1 m) - Use 1/2" pipe |
| 2 | 1/8" N.P.T. Pipe Plug (for checking inlet gas pressure) | 5 | 3/8" N.P.T. Gas Connection |
| 3 | Equipment Shut-Off Valve-Installed within 6' (1.8 m) of dryer | | |

Step 4: (Electric Dryer Only) Connect Electrical Plug

For further assistance refer to section on *Electrical Requirements*.

IMPORTANT : Use only a new U.L. listed No. 10 (copper wire only) three conductor power supply cord kit rated 240 Volts (minimum)30 Amperes and labeled as suitable for use in a clothes dryer.

NOTE : For more detailed information on connection three-wire or four-wire plugs, refer to section on *Electric Dryer Electrical Requirements*.

NOTE : Four-wire cord is required for mobile homes or where codes do not permit grounding through neutral.

Step 5: Wipe Out Inside of Dryer

Before using dryer for the first time, use an all-purpose cleaner, or a detergent and water solution, and a damp cloth to remove shipping dust from inside the dryer drum.

Step 6: Plug In the Dryer

Refer to section on *Electrical Requirements*, and connect the dryer to an electrical power source.

Step 7: Check Installation

Heat Source Check

Electric Dryers

Close the loading door and start the dryer in a heat setting (refer to the Operating Instructions supplied with the dryer). After the dryer has operated for three minutes, the exhaust air or exhaust pipe should be warm.

Gas Dryers

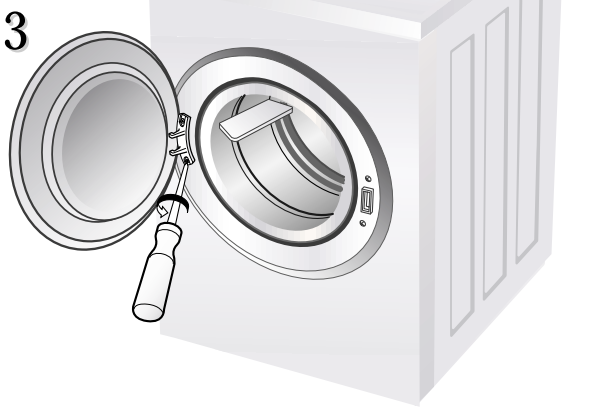
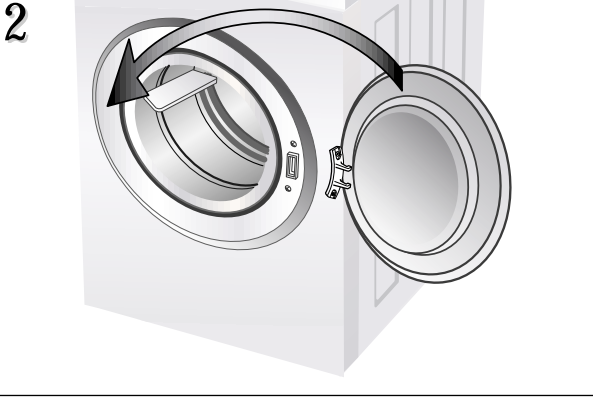
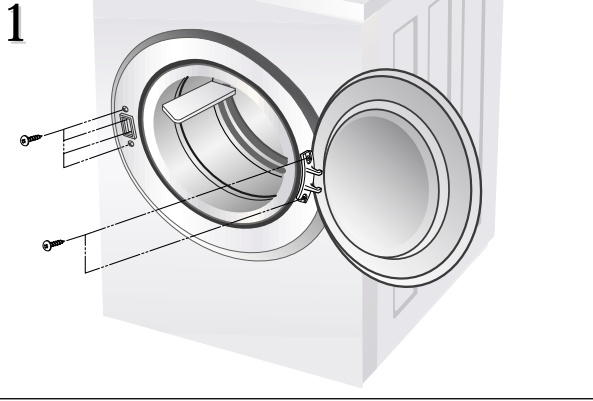
Close the loading door, start the dryer in a heat setting (refer to the Operating Instructions supplied with the dryer); the dryer will start, the igniter will glow red and the main burner will ignite.

IMPORTANT : If all air is not purged out of the gas line, the gas igniter may go off before gas it is ignited. If this happens, after approximately two minutes the igniter will again attempt gas ignition.

DOOR REVERSAL PROCEDURE

Safety Instructions

The door on this dryer is completely reversible.
To reverse door proceed as follows:



Installation Instructions

Operating Instruction

Troubleshooting Tips

Customer Service

MANUFACTURED (MOBILE) HOME INSTALLATION

IMPORTANT : Installation must conform to the Manufactured Home Construction and Safety Standards, Title 24 CFR, Part 32-80 or Standard CAN/CSA-Z240 MH.

The dryer can be installed in a manufactured (mobile) home by following these instructions:

1. IMPORTANT : Gas dryers MUST be permanently attached to the floor at the time of installation.

2 Electrical Connections (Electric Dryer Only) must be a 4-wire connection.

3 Venting - Dryer MUST be exhausted to the outdoors.

WARNING

To reduce the risk of fire and combustion gas accumulation, the dryer MUST BE EXHAUSTED TO THE OUTDOORS. Refer to Section on Dryer Exhaust Requirements.

- The dryer can be exhausted to the outdoors through the back, left, right or bottom panel. Gas dryers cannot be exhausted out the right side because of the burner housing.
- The dryer exhaust duct must be secured to the mobile home structure.
- Exhaust ducts MUST NOT be connected with sheet metal screws or fasteners which extend into the duct.
- Exhaust duct must not be connected to any other duct, vent or chimney.

- Dryer exhaust duct MUST NOT terminate under the mobile home.
- For proper operation, it is important that the dryer has an ample amount of outside Fresh air. The opening for outside air must be at least 25 in² (163 cm²)
- When exhausting the dryer to the outdoors, the dryer can be installed with “1” inch clearance at the sides and rear. Clearance of the duct from combustible construction must be a minimum of 2 inches (5.08 cm).
- Venting materials are not supplied with the dryer (obtain locally).

WARNING

To reduce the risk of fire, the exhaust duct and weather hood MUST be fabricated of a material that will not support combustion. Rigid or flexible metal pipe is recommended for a clothes dryer.

ELECTRICAL REQUIREMENTS - ELECTRICAL DRYER

Safety Instructions

Installation Instructions

Operating Instruction

Troubleshooting Tips

Customer Service

Electric Dryers

(120V/240 Volt, 60 Hertz, 3-Wire Installation)
(120V/208 Volt, 60 Hertz, 3-Wire Installation)

NOTE : The wiring diagram is located inside the control hood.

WARNING


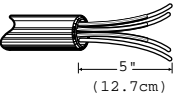

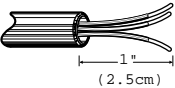
To reduce the risk of fire, electric shock, serious injury or death, all wiring and grounding **MUST** conform with the latest edition of the National Electrical Code, ANSI/NFPA 70, or the Canadian Electrical Code, CSA C22.1, and such local regulations as might apply. It is the customer's responsibility to have the wiring and fuses checked by a qualified electrician to make sure your home has adequate electrical power to operate the dryer.

Grounding Instructions

- This dryer must be connected to a grounded metal, permanent wiring system; or an equipment-grounding conductor must be run with the circuit conductors and connected to the equipment-grounding terminal or lead on the dryer.

- The dryer has its own terminal block that must be connected to a separate branch, 60 Hertz, single phase circuit, AC (alternating current) circuit, fused at 30 Amperes (the circuit must be fused on both sides of the line). **ELECTRICAL SERVICE FOR THE DRYER SHOULD BE OF MAXIMUM RATE VOLTAGE LISTED ON THE NAMEPLATE. DO NOT CONNECT DRYER TO 110, 115, OR 120 VOLT CIRCUIT.** Heating elements are available for field installation in dryers which are to be connected to electrical service of different voltage than that listed on nameplate, such as 208 Volt.
- If branch circuit to dryer is fifteen feet (4.50 m) or less in length, use U.L. (Underwriters Laboratories) listed No. 10 A.W.G. wire (copper wire only), or as required by local codes. If over fifteen feet (4.50 m), use U.L. (Underwriters Laboratories) listed No. 8 A.W.G. wire (copper wire only), or as required by local codes. Allow sufficient slack in wiring so dryer can be moved from its normal location when necessary.
- The power cord (pigtail) connection between wall receptacle and dryer terminal block **IS NOT supplied with dryer**. Type of pigtail and gauge of wire must conform to local codes and with instructions mentioned on the following pages.
- The method of wiring the dryer is optional and subject to local code requirements. Refer to examples on next page.

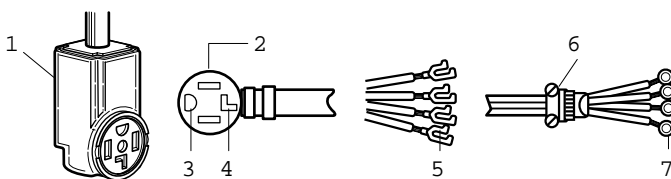
Electrical Connection Options

| If your home has: | And you will be connecting to | Go to Section |
|------------------------------------------------------------------------------------|---------------------------------------------------------------------|--------------------------------------|
| 4-wire receptacle (NEMA type 14-30R) | A UL listed, 120/240 volt minimum, 30 amp, dryer power supply cord* | 4-wire connection: Power supply cord |
|  | | |
| 4-wire direct | A fused disconnect or circuit breaker box* | 4-wire connection: Direct Wire |
|  | | |
| 3-wire receptacle (NEMA type 10-30R) | A UL listed, 120/240 volt minimum, 30 amp, dryer power supply cord* | 3-wire connection: Power supply cord |
|  | | |
| 3-wire direct | A fused disconnect or circuit breaker box* | 3-wire connection: Direct Wire |
|  | | |

If local codes do not permit the connection of a frame-grounding conductor to the neutral wire, go to "Optional 3-wire connection" section.

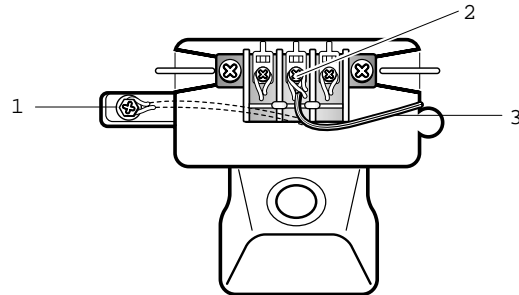
4-wire connection: Power supply cord

IMPORTANT: A 4-wire connection is required for mobile homes and where local codes do not permit the use of 3 wire connections.



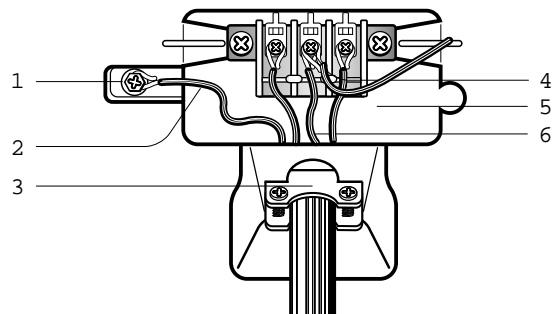
1. 4-wire receptacle (NEMA type 14-30R)
2. 4-prong plug
3. Ground prong
4. Neutral prong
5. Spade terminals with upturned ends
6. 3/4 in. (1.9 cm) UL approved strain relief
7. Ring terminals

1. Remove center terminal block screw.
2. Remove appliance ground wire (green) from external ground connector screw. Fasten it under center, silver colored terminal block screw.



1. External ground connector - Dotted line shows position of NEUTRAL ground wire before being moved to center terminal block screw
2. Center silver-colored terminal block screw
3. Green wire of harness

3. Connect ground wire (green or bare) of power supply cable to external ground conductor screw. Tighten screw.
4. Connect neutral wire (white or center wire) of power supply cord to the center, silver colored terminal screw of the terminal block.



1. External ground connector
2. Green or bare copper wire of power supply cord
3. 3/4 in. (1.9 cm) UL-listed strain relief
4. Center silver-colored terminal block screw
5. Neutral grounding wire (green)
6. Neutral wire (white)

5. Connect the other wires to outer terminal block screws. Tighten screws.
6. Tighten strain relief screws.
7. Insert tab of terminal block cover into slot of dryer rear panel. Secure cover with hold-down screw.

4-wire connection: Direct wire

IMPORTANT: A 4-wire connection is required for mobile homes and where local codes do not permit the use of 3 wire connections.

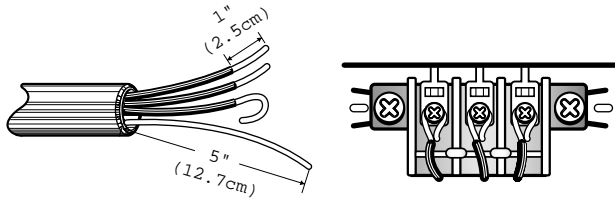
Direct wire cable must have 5 ft (1.52 m) of extra length so dryer can be moved if needed.

Strip 5 in. (12.7 cm) of outer covering from end of cable, leaving bare ground wire at 5 in. (12.7 cm). Cut 1/2 in. (3.8 cm) from 3 remaining wires. Strip insulation back 1 in. (2.5 cm). Shape ends of wires into a hook shape.

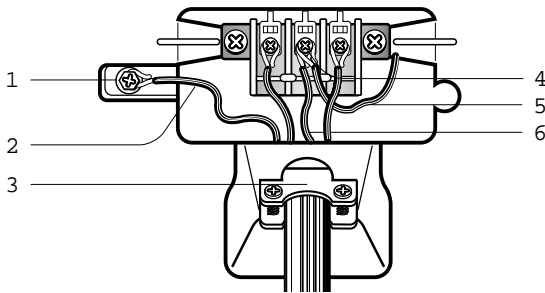
ELECTRICAL REQUIREMENTS - ELECTRICAL DRYER

Safety Instructions

When connecting to the terminal block, place the hooked end of the wire under the screw of the terminal block (hook facing right), squeeze hooked end together and tighten screw.

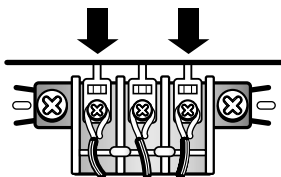


1. Remove center terminal block screw.
2. Remove appliance ground wire (green) from external ground connector screw. Fasten it under center, silver colored terminal block screw.
3. Connect ground wire (green or bare) of power supply cable to external ground conductor screw. Tighten screw.



1. External ground connector
2. Green or bare copper wire of power supply cord
3. 3/4 in. (1.9 cm) UL-listed strain relief
4. Center silver-colored terminal block screw
5. Neutral grounding wire (green)
6. Neutral wire (white)

4. Place the hooked end of the neutral wire (white wire) of power supply cable under the center screw of terminal block (hook facing right). Squeeze hooked end together. Tighten screw.
5. Place the hooked ends of the other power supply cable wires under the outer terminal block screws (hooks facing right). Squeeze hooked ends together. Tighten screws.



6. Tighten strain relief screws.
7. Insert tab of terminal block cover into slot of dryer rear panel. Secure cover with hold-down screw.

Installation Instructions

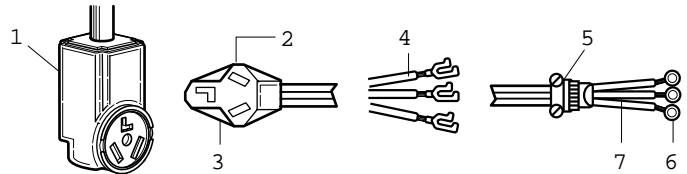
Operating Instruction

Troubleshooting Tips

Customer Service

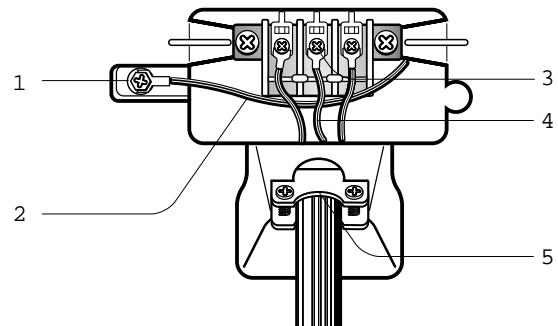
3-wire connection: Power supply cord

Use where local codes permit connecting cabinet-ground conductor to neutral wire.



1. 3-wire receptacle (NEMA type 10-30R)
2. 3-wire plug
3. Neutral prong
4. Spade terminals with up turned ends
5. 3/4 in. (1.9 cm) UL approved strain relief
6. Ring terminals
7. Neutral (white or center wire)

1. Loosen or remove center terminal block screw.
2. Connect neutral wire (white or center wire) of power supply cord to the center, silver colored terminal screw of the terminal block. Tighten screw.



1. External ground connector
2. Neutral grounding wire (green)
3. Center silver-colored terminal block screw
4. Neutral wire (white or center wire)
5. 3/4 in. (1.9 cm) UL-listed strain relief

3. Connect the other wires to outer terminal block screws. Tighten screws.
4. Tighten strain relief screws.
5. Insert tab of terminal block cover into slot of dryer rear panel. Secure cover with hold-down screw.

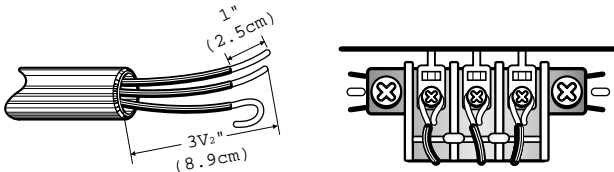
3-wire connection: Direct wire

Use where local codes permit connecting cabinet-ground conductor to neutral wire.

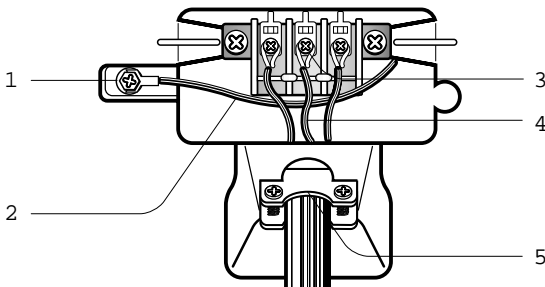
Direct wire cable must have 5 ft (1.52 m) of extra length so dryer can be moved if needed.

Strip 3/2 in. (8.9 cm) of outer covering from end of cable. Strip insulation back 1 in. (2.5 cm). If using 3-wire cable with ground wire, cut bare wire even with outer covering. Shape ends of wires into a hook shape.

When connecting to the terminal block, place the hooked end of the wire under the screw of the terminal block (hook facing right), squeeze hooked end together and tighten screw.

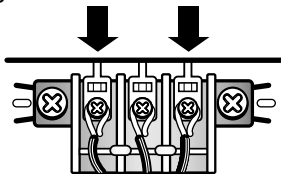


1. Loosen or remove center terminal block screw.
2. Place the hooked end of the neutral wire (white or center wire) of power supply cable under the center screw of terminal block (hook facing right). Squeeze hooked end together. Tighten screw.



1. External ground connector
2. Neutral grounding wire (green)
3. Center silver-colored terminal block screw
4. Neutral wire (white or center wire)
5. 3/4 in. (1.9 cm) UL-listed strain relief

3. Place the hooked ends of the other power supply cable wires under the outer terminal block screws (hooks facing right). Squeeze hooked ends together. Tighten screws.

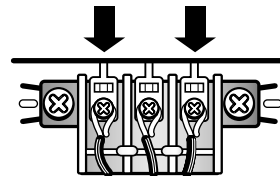


4. Tighten strain relief screws.
5. Insert tab of terminal block cover into slot of dryer rear panel. Secure cover with hold-down screw.

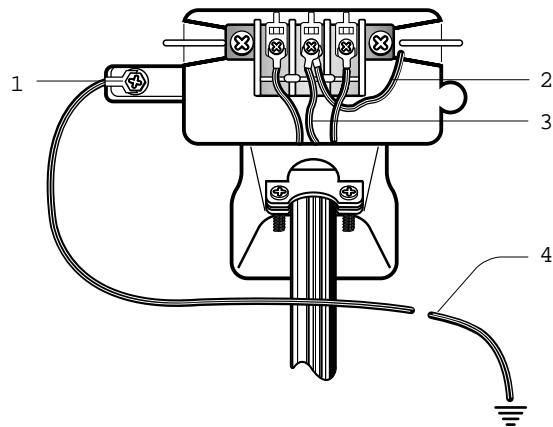
Optional 3-wire connection

Use where local codes permit connecting cabinet-ground conductor to neutral wire.

1. Remove center terminal block screw.
2. Remove appliance ground wire (green) from external ground connector screw. Connect appliance ground wire and the neutral wire (white or center wire) of power supply cord/cable under center, silver colored terminal block screw. Tighten screw.
3. Connect the other wires to outer terminal block screws. Tighten screws.



4. Tighten strain relief screws.
5. Insert tab of terminal block cover into slot of dryer rear panel. Secure cover with hold-down screw.
6. Connect a separate copper ground wire from the external ground connector screw to an adequate ground.



1. External ground connector
2. Neutral grounding wire (green)
3. Neutral wire (white or center wire)
4. Grounding path determined by a qualified electrician

ELECTRICAL REQUIREMENTS - GAS DRYER

Safety Instructions

Installation Instructions

Operating Instruction

Troubleshooting Tips

Customer Service

Gas Dryers

(120 Volt, 60 Hertz, with 3-Prong Grounding Plug)

NOTE : The wiring diagram is located inside the control panel, inside the control cabinet.

⚠ WARNING

To reduce the risk of fire, electric shock or personal injury, all wiring and grounding **MUST** confirm with the latest edition of the National Electrical Code ANSI/NFPA 70 or the Canadian Electrical Code, CSA C22.1, and such local regulations as might apply. It is the customer's responsibility to have the wiring and fuses checked by a qualified electrician to make sure the laundry room has adequate electrical power to operate the dryer.

- The dryer is designed to be operated on a separate branch, polarized, three-wire, effectively grounded, 120 Volt, 60 Hertz, AC (alternating current) circuit protected by a 15 Ampere fuse, equivalent fusetrone or circuit breaker.
- The three-prong grounding plug on the power cord should be plugged directly into a polarized three-slot effectively grounded receptacle rated 120 Volts AC (alternating current) 15 Amps. Refer to Figure 22 to determine correct polarity of the wall receptacle.

⚠ WARNING

This dryer is equipped with a three-prong (grounding) plug for your protection against shock hazard and should be plugged directly into a properly grounded three-prong receptacle. Do not cut or remove the grounding prong from this plug.

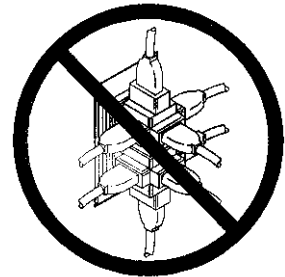
NOTE : A qualified electrician should check the polarity of the wall receptacles. If a voltage reading is measured other than that illustrated, the qualified electrician should correct the problem.

- DO NOT OPERATE OTHER APPLIANCES ON THE SAME CIRCUIT WHEN THIS APPLIANCE IS OPERATING. DO NOT OVERLOAD CIRCUITS!
- DO NOT operate both a washer and gas dryer on the same circuit. Use separately fused 15 Amp circuits.

⚠ WARNING

To reduce the risk of an electric shock or fire, **DO NOT** use an extension cord or an adapter to connect the dryer to the electrical power source.

**DO NOT OVERLOAD
CIRCUITS**
**DO NOT USE AN
ADAPTER**
**DO NOT USE AN
EXTENSION CORD**



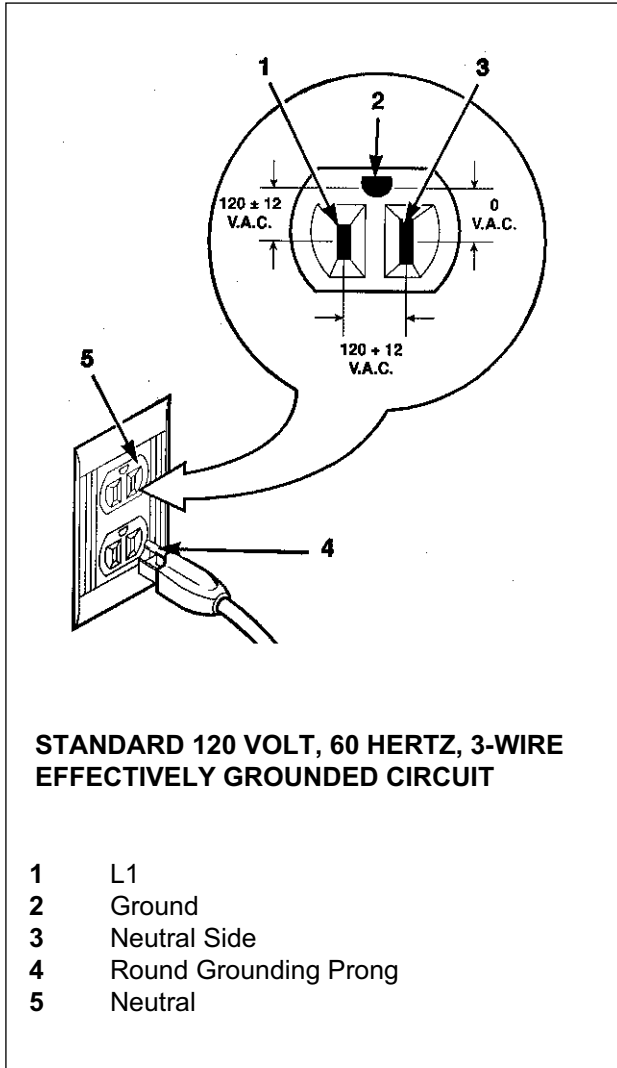
Grounding Instructions

- The dryer must be grounded. In the event of malfunction or breakdown, grounding will reduce the risk of electric shock by providing a path of least resistance for electric current. The dryer is equipped with a cord having an equipment-grounding conductor and a three prong grounding plug. The plug must be plugged into an appropriate outlet that is properly installed and grounded in accordance with all local codes and ordinances.

! WARNING

Improper connection of the equipment-grounding conductor can result in a risk of electric shock. Check with a qualified electrician or service person if you are in doubt as to whether the dryer is properly grounded.

- Do not modify the plug provided with the dryer unit- if it will not fit the outlet, have a proper outlet installed by a qualified electrician.
- If the laundry room's electrical supply does not meet the above specifications and/or if you are not sure the laundry room has an effective ground, have a qualified electrician or your local electrical utility company check it and correct any problems.



GAS REQUIREMENTS

Gas Dryers

NOTE : The gas service to a gas dryer must conform with the local codes and ordinances or, in the absence of local codes and ordinances, with the latest edition of the National Fuel Gas Code ANSI Z223.1/NFPA 54 or the CAN/CGA-B149, National Gas Installation Code.

L.P (Liquefied Petroleum) Gas, 2,500 Btu/ft³ (93.1 MJ/m³), service must be supplied at 10 ± 1.5 in. water column pressure.

NOTE : DO NOT connect the dryer to L.P. Gas Service without converting the gas valve.

L.P. gas conversion:

In U.S.- Conversion must be made by a qualified technician.

See gas valve burner base for gas conversion kit part number.

In Canada- Conversion must be made by a licensed technician. Contact your local service branch if you require further assistance.

The dryer must be isolated from the gas supply piping system by closing its individual manual shut-off valve during any pressure testing of the gas supply piping system at test pressure equal to or less than 1/2 psi (3.45 kPa).

NOTE : When connecting to a gas line, an equipment shutoff valve must be installed within 6 feet (1.8m) of the dryer. An 1/8 in. N.P.T. pipe plug must be installed as shown. Refer to Fig

Supply line requirements:

Provide a rigid gas supply line to the dryer location.

In U.S.- An individual manual shutoff valve must be installed within 1.8m (6 feet) of the dryer in accordance with the National Fuel Gas Code ANSI Z223.1*.

In Canada- An individual manual shutoff valve must be installed in accordance with the B-149 installation codes, CAN/CGA B-149.1 and B-149.2*.

When a rigid pipe is used it should be 1/2 inch IPS. When acceptable to the gas supplier and local codes, 3/8-inch approved tubing may be used for lengths under 6.1 m (20 feet). For lengths over 6.1m (20 feet), larger tubing should be used. Pipe-joint compounds resistant to the action of L.P. gas must be used.

WARNING

To reduce the risk of gas leaks, fire or explosion:

- The dryer must be connected to the type of gas as shown on the nameplate located in the door recess.
- Use a new flexible stainless steel connector.
- Use pipe joint compound insoluble in L.P. (Liquefied Petroleum) Gas, or Teflon tape, on all pipe threads.
- Purge air and sediment from gas supply line before connecting it to the dryer. Before tightening the connection, purge remaining air from gas line to dryer until odor of gas is detected. This step is required to prevent a gas valve contamination.
- Do not use an open flame to check for gas leaks. Use a non-corrosive leak detection fluid.
- Any dis-assembly requiring the use of tools must be performed by an authorized qualified service person.

WARNING

A clothes dryer produces combustible lint.

To reduce the risk of fire or gas accumulation, the dryer **MUST** be exhausted to the outdoors.

This gas appliance contains or produces a chemical or chemicals which can cause death or serious illness and which are known to the State of California to cause cancer, birth defects, or other reproductive harm. To reduce the risk from fuel combustion, make sure this appliance is installed, operated, and maintained according to the instructions in this manual.

To reduce the risk of fire and the accumulation of combustion gases, **DO NOT** exhaust dryer air into a window well, gas vent, chimney or enclosed, unventilated area, such as an attic, wall, ceiling, crawl space under a building or concealed space of a building.

To reduce the risk of fire, **DO NOT** use plastic or thin foil ducting to exhaust the dryer.

Exhaust System Materials

Exhaust system materials are not supplied with the dryer.

Exhaust duct must be four inches (10.2 cm) in diameter having no obstructions. Rigid metal duct is recommended. Non-combustible flexible metal duct is acceptable. Do not use plastic or thin foil ducting, because it contributes to poor drying performance and collects lint, which can lead to a fire hazard.

Never install flexible duct in concealed spaces, such as a wall or ceiling.

DO NOT use sheet metal screws on exhaust pipe joints or other fastening means which extend into the duct that could catch lint and reduce the efficiency of the exhaust system. Secure all joints with duct tape.

Exhaust System

IMPORTANT : Keep exhaust duct as short as possible.

NOTE : Be certain old ducts are cleaned before installing your new dryer.

For best drying results, recommended maximum length of exhaust system is shown in *Table 1*.

To prevent backdraft when dryer is not in operation, outer end of exhaust pipe must have a weather hood with hinged dampers (obtain locally).

EXHAUST REQUIREMENTS

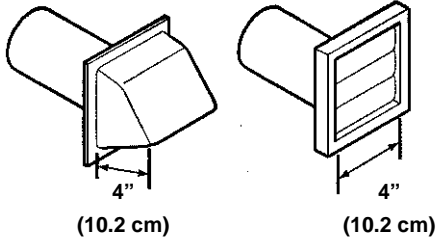
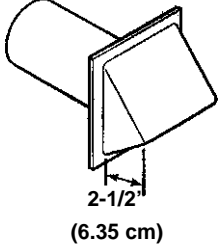
Safety Instructions

Installation Instructions

Operating Instruction

Troubleshooting Tips

Customer Service

| Number of 90° Elbows | Weather Hood Type | |
|--------------------------------------------------------------------|-----------------------------------------------------------------------------------|-------------------------------------------------------------------------------------|
| | Recommended | Use Only for Short Run Installations |
| |  |  |
| Maximum length of 4" (10.2 cm) diameter rigid metal duct | | |
| 0 | 65 feet (19.8 m) | 55 feet (16.8 m) |
| 1 | 55 feet (16.8 m) | 47 feet (14.3 m) |
| 2 | 47 feet (14.3 m) | 41 feet (12.5 m) |
| 3 | 36 feet (11.0 m) | 30 feet (9.1 m) |
| 4 | 28 feet (8.5 m) | 22 feet (6.7 m) |
| Maximum length of 4" (10.2 cm) diameter flexible metal duct | | |
| 0 | 45 feet (13.7 m) | 35 feet (10.7 m) |
| 1 | 35 feet (10.7 m) | 27 feet (8.2 m) |
| 2 | 30 feet (9.1 m) | 21 feet (6.4 m) |
| 3 | 25 feet (7.6 m) | 17 feet (5.2 m) |
| 4 | 20 feet (6.1 m) | 15 feet (4.5m) |
| NOTE : Deduct 6 feet (1.8 m) for each additional elbow. | | |

[Table. 1]

Exhaust System Maintenance

The dryer interior and the complete exhaust system should be inspected after one year of use and cleaned if necessary. Inspect and clean exhaust duct every one to two years as required thereafter. The weather hood should be checked frequently to make sure the dampers move freely, they are not pushed in and that nothing has been set against them. This maintenance work should be done by a qualified service person.

! WARNING

To reduce the risk of electric shock, disconnect the electrical power to the dryer before cleaning.

Exhausting the dryer in hard-to reach locations can be accomplished by installing the Flexible Metal Vent Kit, available as optional equipment at extra cost. The kit comes in two halves that can be separately attached to the dryer and wall outlet. Once attached, the dryer can be slid back into position and the two halves can be connected from the front.

Dryer Airflow

Efficient dryer operation requires proper dryer airflow. Proper dryer airflow can be evaluated by measuring the static pressure.

Static pressure in the dryer's exhaust duct should be no greater than 0.6 inches (1.5 cm). (Check with dryer running and no load.)

NOTE : This can be measured with a manometer placed on the exhaust duct approximately 2 ft. (61 cm) from the dryer.

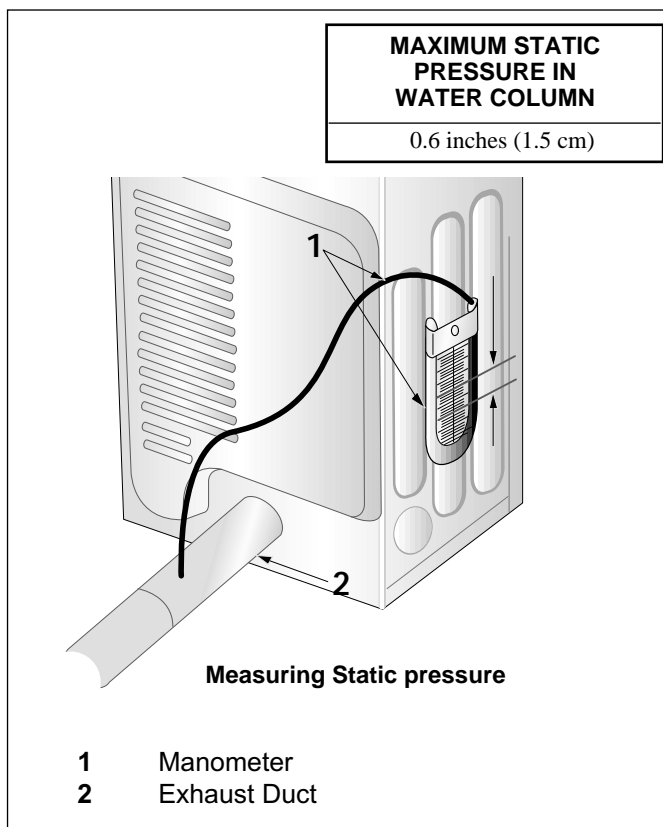


Figure 28

Lubrication

All moving parts are sealed in a permanent supply of lubricant or are equipped with oilless bearings. Additional lubrication will not be necessary.

Care of Your Dryer

Clean the lint filter before drying each load. The lint filter may be washed if needed. Annually remove the lint filter and attach to the vacuum duct under it.

Ordinarily, the dryer cylinder will need no care.

Wipe the exterior dryer cabinet as needed. If detergent, bleach or other washing products are spilled on the cabinet, wipe immediately. Some products will cause permanent damage if spilled on the cabinet.

Use only a damp cloth for cleaning the control panel. Some spray prewash products may harm the finish on the control panel.

NOTE: The wiring diagram is located inside the control panel.

WARNING

Label all wires prior to disconnection when servicing controls. Wiring errors can cause improper and dangerous operation.

Cleaning the Lint Screen

Every load cleaning

The lint screen is located in the door opening of the dryer. Clean it before or after each load. A screen blocked by lint can increase drying time.

To clean

1. Pull the lint screen straight up. Roll lint off the screen with your fingers. Do not rinse or wash screen to remove lint. Wet lint is hard to remove.
2. Push the lint screen firmly back into place.

IMPORTANT:

- Do not run the dryer with the lint screen loose, damaged, blocked, or missing. Doing so can cause overheating and damage to both the dryer and fabrics.
- Some towels made of synthetic fibers and natural fibers (polyester and cotton blends) may shed more lint than other towels, causing your dryer's lint screen to fill up faster. Be sure to remove lint from the lint screen before and after drying new towels.
- If lint falls off the screen into the dryer during removal, check the exhaust hood and remove the lint.

As needed cleaning

Laundry detergent and fabric softener residue can build up on the lint screen. This buildup can cause longer drying times for your clothes, or cause the dryer to stop before your load is completely dry. The screen is probably clogged if lint falls off the screen.

Clean the lint screen with a nylon brush every six months, or more frequently, if it becomes clogged due to a residue buildup.

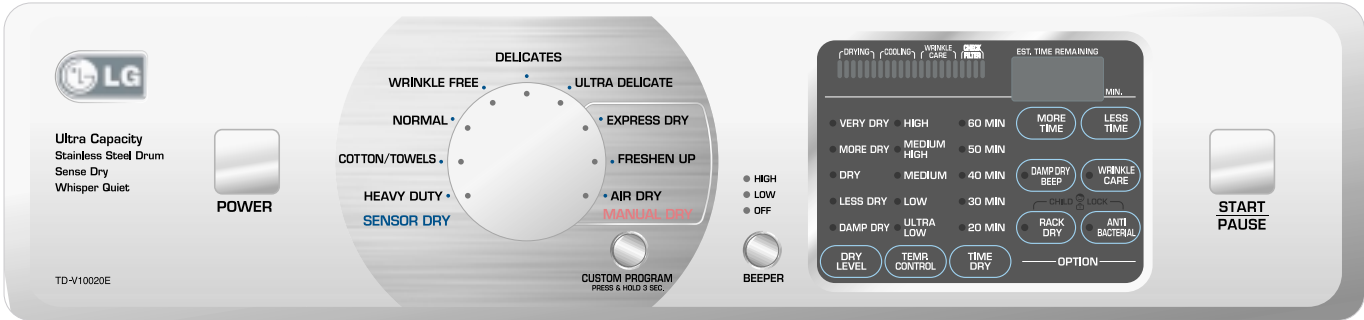
To wash

1. Roll lint off the screen with your fingers.
2. Wet both sides of lint screen with hot water.
3. Wet a nylon brush with hot water and liquid detergent. Scrub lint screen with the brush to remove residue buildup.
4. Rinse screen with hot water.
5. **Completely** dry lint screen with a clean towel. Replace screen in dryer.

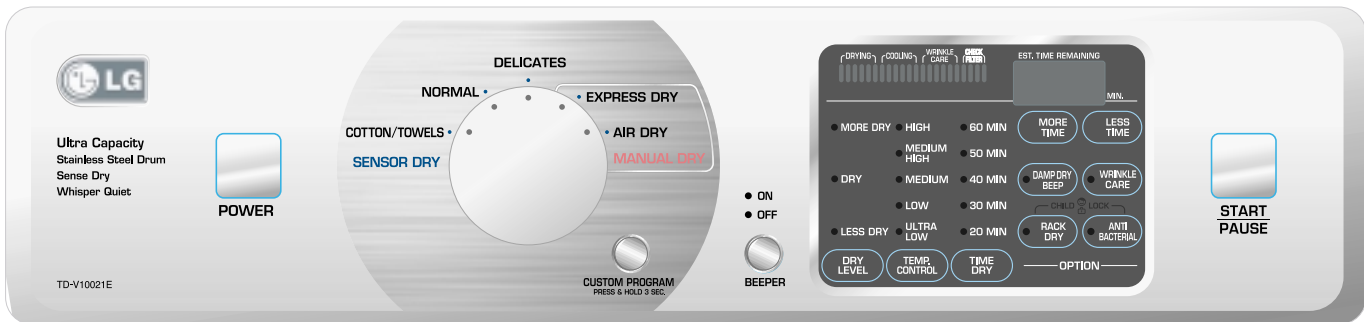
FEATURES AND BENEFITS

⚠ WARNING - To reduce the risk of fire, electric shock, or injury to person, read the IMPORTANT SAFETY INSTRUCTIONS before operating this appliance.

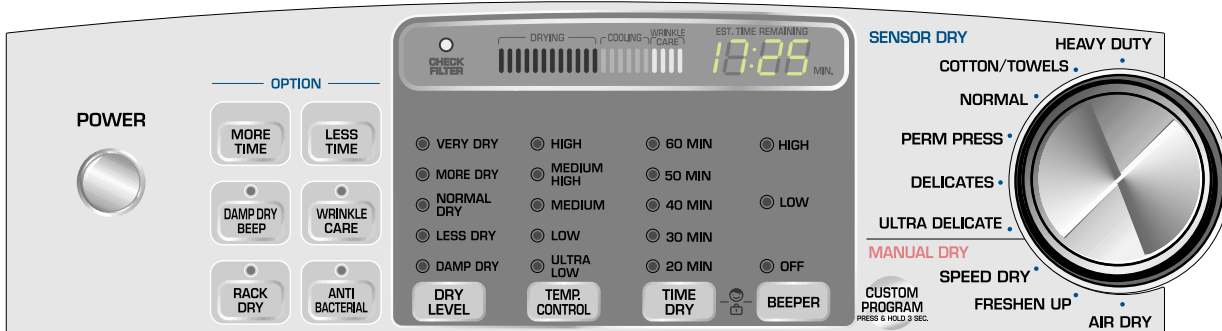
■ DLE5911W / DLG5911W



■ DLE2511W / DLG2511W



■ DLE5932W / DLG5932W



■ DLE2532W / DLG2532W



Starting Your Dryer

! WARNING



Explosion Hazard

Keep flammable materials and vapors, such as gasoline, away from dryer.

Do not dry anything that has ever had anything flammable on it (even after washing).

Failure to follow these instructions can result in death, explosion, or fire.

! WARNING



Fire Hazard

No washer can completely remove oil.

Do not dry anything that has ever had any type of oil on it (including cooking oils).

Items containing foam, rubber, or plastic must be dried on a clothesline or by using an Air Cycle. Failure to follow these instructions can result in death or fire.

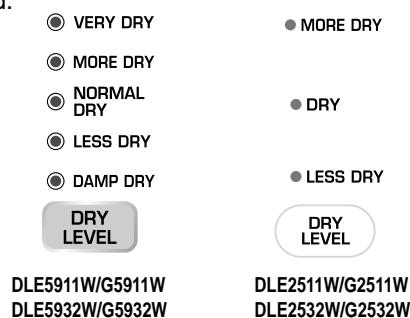
The following is a guide to starting your dryer. Please refer to specific sections of this manual for more detailed information.

1. Clean lint screen before or after each cycle.
2. Place laundry into dryer and shut door. See "Loading."
3. Press the selected cycle pad. The preset settings for Sensor Dry Cycles or Manual Cycles will glow. The estimated or actual cycle time (in minutes) will show in the display.

To use a Sensor Dry Cycle

- **Select** an Sensor Dry Cycle.
- **Select** DRY LEVEL to adjust how dry you want the load. As the cycle runs, the control senses the dryness of the load and adjusts the time automatically for the selected dryness level.
- **Select** the desired Options.
- **Press** START/PAUSE

NOTE: DRY LEVEL selections can only be made while using Sensor Dry Cycles. Selecting MORE Dry or LESS Dry automatically adjusts the sensed time needed.



To use a Manual Dry Cycle

- **Select** a Manual Dry Cycle.
 - **Press** MORE TIME or LESS TIME until the desired drying time is displayed. Tap MORE TIME or LESS TIME and the time will change by 1 minute intervals.
- NOTE:** The MORE TIME or LESS TIME feature can be used with Manual Dry, Time Dry and Rack Dry Cycles.



- **Press** TEMP. CONTROL until the desired temperature indicator glows.
4. (OPTIONAL STEP) If desired, select OPTIONS. For more details, see "Options."
 5. **Press** START/PAUSE. Be sure the door is closed.
- If you do not press START/PAUSE within 10 minutes of selecting the cycle, the dryer automatically shuts off.
 - If you wish to end your drying cycle after pressing START/PAUSE, press START/PAUSE again.

Stopping Your Dryer

To stop your dryer at any time

Press START/PAUSE or open the door.

Pausing or Restarting

To pause the dryer at any time

Open the door or press START/PAUSE once.

To restart the dryer

Close the door. Press START/PAUSE.

NOTE: Drying will continue from where the cycle was interrupted if you close the door and press START within 10 minutes. If the cycle is interrupted for more than 10 minutes, the dryer will shut off. Select new cycle settings before restarting the dryer.

Child Lock

This feature allows you to lock your settings to prevent children from changing them. You can also use the child lock feature to prevent unintended cycle or option changes during dryer operation.

To enable the Child Lock feature:

Press and hold RACK DRY and ANTI BACTERIAL for 2 seconds. A single BEEP Tone is heard, and CL is displayed. To unlock, press and hold RACK DRY and ANTI BACTERIAL for 2 seconds. The indicator light turns off.

Loading

Properly loading your dryer can lower your utility bill and prolong the life of your garments.

Loading suggestions

- Load the dryer by the amount of space items take up, not by their weight.
- Do not overload the dryer. This causes uneven drying and wrinkling.

Super Capacity Dryers

Heavy Work Clothes

| | |
|---------------|---------------|
| 4 jeans | 2 sweatpants |
| 4 workpants | 2 sweatshirts |
| 4 work shirts | |

Towels

| | |
|----------------|----------------|
| 10 bath towels | 14 wash cloths |
| 10 hand towels | |

Mixed Load

| | |
|---------------------------|------------------|
| 3 sheets (1 king, 2 twin) | 9 T-shirts |
| 4 pillowcases | 9 shorts |
| 3 shirts | 10 handkerchiefs |
| 3 blouses | |

Cycle Descriptions

Select the drying cycle that matches the type of load you are drying. (See Sensor Dry or Manual Preset Cycle Settings charts.)

Sensor Dry Cycles allow you to match the cycle to the load you are drying. Each cycle dries certain fabrics at the recommended temperature. A sensor detects the moisture in the load and automatically adjusts the drying time for optimal drying.

Sensor Dry Cycle

Heavy Duty

Use this cycle to get high heat for heavy fabrics such as jeans, corduroys or work clothes.

Cotton/Towel

Use this cycle to get medium-high heat for drying denims, towels.

Normal

Use this cycle to get medium heat for drying sturdy fabrics such as work clothes, casual clothes and cotton jerseys.

Perm. press

Use for permanent press and synthetic items.

Delicate

Use this cycle to get low heat for drying synthetic fabrics, washable knit fabrics and no-iron finishes.

Ultra Delicate

Use this cycle to get extra low heat to gently dry items such as lingerie, exercise wear, or sheer curtains.

Sensor Dry Preset Cycle Settings

| Sensor Dry Cycles Load Type | Temp. | Time*(Minutes) |
|--------------------------------------------------------------|--------------------|----------------|
| HEAVY DUTY Heavyweight, jeans | High | 54 |
| COTTON/TOWEL Denim pants, towel | Medium High | 55 |
| NORMAL Corduroys, work clothes | Medium | 41 |
| PERM. PRESS Permanent press, synthetics | Low | 36 |
| DELICATE Sheets, lingerie, blouses | Low | 32 |
| ULTRA DELICATE Exercise wear, sheer curtains, lace | Extra Low | 34 |

* Estimated Time with SENSOR DRY LEVEL (Normal) setting.

Manual Cycles

Use Manual Cycles to select a specific amount of drying time and a drying temperature. When a Manual Cycle is selected, the ESTIMATED TIME REMAINING display shows the actual time remaining in your cycle. You can change the actual time in the cycle by pressing MORE TIME or LESS TIME.

Speed Dry

Use this cycle for drying small loads or loads that need a short drying time.

Freshen Up

Use this cycle to remove wrinkles from items, such as clothes packed in a suitcase or items wrinkled from being left in the dryer too long.

Air Dry

Use the Air Dry Modifier for items that require drying without heat such as rubber, plastic and heat-sensitive fabrics.

Time Dry

Use this cycle to complete drying if items are still damp after an Sensor Dry Cycle. Time dry is also useful for drying heavyweight and bulky items, such as bedspreads and work clothes.

Manual Preset Cycle Settings

| Manual Dry Cycles Load Type | Temp. | Default Time* (Minutes) |
|--------------------------------------|----------------|-------------------------|
| SPEED DRY™ SMALL LOADS | High | 25 |
| FRESHEN UP Remove Wrinkles | Medium High | 20 |
| AIR DRY | Air Dry | 30 |

Options

You can customize your cycles by selecting options.



DLE5911W/G5911W
DLE5932W/G5932W

DLE2511W/G2511W
DLE2532W/G2532W

Damp Dry Beep

Select DAMP DRY BEEP to alert you that your clothes are approximately 80% dry. This is useful when you want to remove lightweight items in a mixed load to prevent overdrying or remove partially dry items that may need ironing.

NOTE: The Damp Dry Beep is only available with the Sensor Dry Cycles.

WRINKLE CARE

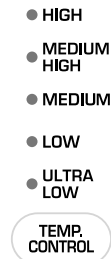
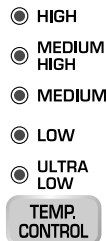
WRINKLE CARE prevents wrinkles that form when you cannot unload the dryer promptly at the end of a cycle. During this option, the dryer will periodically tumble.

- Press WRINKLE CARE to get up to 3 hours of heat-free, periodic tumbling at the end of a cycle.
- Stop WRINKLE CARE at any time by pressing WRINKLE CARE or opening the dryer door.

NOTE: If you do not select WRINKLE CARE, the dryer stops after cool down.

Modifiers

Use Modifiers to select temperatures for the Manual Cycles. Press TEMP. CONTROL until the desired temperature setting glows. Temperature modifiers cannot be used with the Sensor Dry Cycles.



DLE5911W/G5911W
DLE5932W/G5932W

DLE2511W/G2511W
DLE2532W/G2532W

When using Air Dry

This chart shows examples of items that can be dried using AIR DRY.

| Type of Load | Default Time* (Minutes) |
|------------------------------------------------|-------------------------|
| Foam rubber-pillows, padded bras, stuffed toys | 20 - 30 |
| Plastic-Shower curtains, tableclothes | 20 - 30 |
| Rubber-backed rugs | 40 - 50 |
| Olefin, polypropylene, sheer nylon | 10 - 20 |

Reset cycle to complete drying, if needed.

- Check to see that coverings are securely stitched.
- Shake and fluff pillows by hand periodically during the cycle.
- Dry item completely. Foam rubber pillows are slow to dry.

NOTE: Air Dry is not available with Sensor Dry Cycles.

FEATURES AND BENEFITS

Safety Instructions

Installation Instructions

Operating Instruction

Troubleshooting Tips

Customer Service

RACK DRY

The dryer rack is shipped in place in your dryer. Remove and discard any packing material before use.

Use the RACK DRY for items that you do not want to tumble dry, such as sweaters. When you use the heated dryer rack, the heated air inside the dryer flows in a concentrated pattern to allow efficient and uniform drying. Use RACK DRY to select the desired time.

To use the RACK DRY:

Do not remove the lint screen.

1. Open dryer door.
2. Place dryer rack over the bottom of the dryer door opening. Rest the rack on the dryer back ledge. Push down on the frame front to secure over lint screen.
3. Place wet items on top of the rack. Allow space around items for air to circulate. The rack does not move, but the drum will rotate. Make sure items do not hang over the edges or between rack grill.
4. Close the door.
5. Select RACK DRY and MORE TIME or LESS TIME. Reset time as needed to complete drying. Refer to the following table.
6. Select the desired temperature setting to match the fabrics in your load by pressing TEMP. CONTROL (Air Dry-Ultra Low-Low). Items containing foam, rubber, or plastic must be dried on a clothesline or by using the Air Dry temperature setting. Refer to the following table.
7. Start the dryer.
To remove the dryer rack, lift it straight up and out of the dryer.

BEEPER

The BEEPER controls the volume of the beep that is made when you press any of the buttons on the control panel and the termination of any cycle is indicated.

Press BEEPER to adjust the sound level or turn off the signal.

ANTI BACTERIAL

This option can only be used with the HEAVY DUTY, COTTON/TOWELS and NORMAL cycles.

This option reduces certain types of bacteria. The ANTI BACTERIAL process produces high temperature during the cycle.

NOTE: Do not use this cycle on delicate fabrics.

CUSTOM PROGRAM

Set up your favorite combination of settings and save them here for one-touch recall.

To store a CUSTOM PROGRAM.

1. Select a cycle
2. Change DRY LEVEL and TEMP. CONTROL.
3. Select OPTIONS you want.
4. Press and hold the CUSTOM PROGRAM.

To recall your stored CUSTOM PROGRAM

Press CUSTOM PROGRAM pad, then press START/PAUSE.

NOTE: Check the lint screen and remove any lint accumulated from items dried on the rack.

| Suggested Items for Rack Drying | Temperature Setting | Suggested Time* (Minutes) |
|-----------------------------------------------------------|---------------------|---------------------------|
| Washable wool items (block to shape and lay flat on rack) | Low | 20 |
| Stuffed toys (cotton or polyester fiber filling) | Low/Ultra Low | 20/30 |
| Stuffed toys (foam rubber filled) | Air Dry/Ultra Low | 50/30 |
| Foam rubber pillows | Air Dry | 50 |
| Tennis shoes | Air Dry | 20 |

* Reset time as needed to complete drying.

BEFORE YOU CALL FOR SERVICE

Troubleshooting Tips

Save time and money! Review the charts on the following pages first and you may not need to call for service.

| Problem | Possible Causes | What To Do |
|------------------------------------|------------------------------------------------------------------------------------|--------------------------------------------------------------------------------------------------------------------------------------------------------------------------------------------------------------------------------------------|
| Dryer doesn't start | Dryer is unplugged | <ul style="list-style-type: none"> • Make sure the dryer plug is pushed completely into the outlet. |
| | Fuse is blown/circuit breaker is tripped | <ul style="list-style-type: none"> • Check the house fuse/circuit breaker box and replace fuse or reset breaker. NOTE: Most electric dryers use two fuses/breakers. |
| Dryer doesn't heat | Fuse is blown/circuit breaker is tripped, the dryer may tumble but not heat | <ul style="list-style-type: none"> • Check the house fuse/circuit breaker box and replace fuse or reset breaker. |
| | Gas service is off | <ul style="list-style-type: none"> • Make sure gas shutoff at dryer and main shutoff are fully open. |
| Dryer shakes or makes noise | Some shaking/noise is normal. Dryer may be sitting unevenly | <ul style="list-style-type: none"> • Move dryer to an even floor space, or adjust leveling legs as necessary until even. |
| Greasy spots on clothes | Improper use of fabric softener | <ul style="list-style-type: none"> • Follow directions on fabric softener package. |
| | Drying dirty items with clean ones | <ul style="list-style-type: none"> • Dirty items can stain clean items and the dryer. |
| | Clothes were not completely clean | <ul style="list-style-type: none"> • Sometimes stains which cannot be seen when the clothes are wet appear after drying. Use proper washing procedures before drying. |
| Lint on clothes | Lint filter is full | <ul style="list-style-type: none"> • Clean lint screen before each load. |
| | Improper sorting | <ul style="list-style-type: none"> • Sort lint producers (like chenille) from lint collectors (like corduroy). |
| | Static electricity can attract lint | <ul style="list-style-type: none"> • See suggestions in this section under STATIC. |
| | Overloading | <ul style="list-style-type: none"> • Separate large loads into smaller ones. |
| | Paper, tissue, etc. left in pockets | <ul style="list-style-type: none"> • Empty all pockets before laundering clothes. |
| Static occurs | No fabric softener was used | <ul style="list-style-type: none"> • Try a fabric softener. |
| | Overdrying | <ul style="list-style-type: none"> • Try a fabric softener. • Adjust controls for less drying. |
| | Synthetics, permanent press, and blends can cause static | <ul style="list-style-type: none"> • Try a fabric softener. |
| Inconsistent drying times | Type of heat | <ul style="list-style-type: none"> • Automatic drying times will vary according to the type of heat used (electric, natural, or LP gas), size of load, types of fabrics, wetness of clothes and condition of exhaust ducts. |

Safety Instructions

Installation Instructions

Operating Instruction

Troubleshooting Tips

Customer Service

| Problem | Possible Causes | What To Do | |
|--------------------------------------------|-------------------------------------------------------------------------------------------------------------------|------------------------------------------------------------------------------------------------------------------------------------------------------------------------------------------------------------------------------------------------------------------------------------------------------------------------------------------|------------------------------------------------------------------------------------------------------------------------------------------------------------------|
| <i>Clothes take too long to dry</i> | Improper sorting | <ul style="list-style-type: none"> Separate heavy items from lightweight items (generally, a well-sorted washer load is a well-sorted dryer load). | |
| | Large loads of heavy fabrics (like beach towels) | <ul style="list-style-type: none"> Large, heavy fabrics contain more moisture and take longer to dry. Separate large, heavy fabrics into smaller loads to speed drying time. | |
| | Controls improperly set | <ul style="list-style-type: none"> Match control settings to the load you are drying. | |
| | Lint Filter is full | <ul style="list-style-type: none"> Clean lint filter before every load. | |
| | Improper or obstructed ducting | <ul style="list-style-type: none"> Check installation instructions for proper ducting/venting. Make sure ducting is clean, free of kinks and obstructions. Check to see if outside wall damper operates easily. Check the Installation Instructions to make sure the dryer venting is correct. | |
| | | Blown fuses or tripped circuit breaker | <ul style="list-style-type: none"> Replace fuses or reset circuit breakers. Since most dryers use 2 fuses/breakers, make sure both are operating. |
| | | Overloading/combining loads | <ul style="list-style-type: none"> Do not put more than one washer load in the dryer at a time. |
| | Underloading | <ul style="list-style-type: none"> If you are drying only one or two items, add a few items to ensure proper tumbling. | |
| <i>Clothes are wrinkled</i> | Overdrying | <ul style="list-style-type: none"> Select a shorter drying time. Remove items while they still hold a slight amount of moisture. | |
| | Letting items sit in dryer after cycle ends | <ul style="list-style-type: none"> Remove items when cycle ends and fold or hang immediately. | |
| <i>Clothes shrink</i> | Some fabrics will naturally shrink when washed. Others can be safely washed, but will shrink in the dryer. | <ul style="list-style-type: none"> To avoid shrinkage, follow garment care labels exactly. Some items may be pressed back into shape after drying. If you are concerned about shrinkage in a particular item, do not machine wash or tumble dry it. | |

Service Telephone Numbers

SERVICE Call number : 1-877-714-7483

LG DRYER LIMITED WARRANTY - USA

LG Electronics Inc. will repair or at its option replace, without charge, your product if it proves to be defective in material or workmanship under normal use during the warranty period set forth below, effective from the date of original consumer purchase of the product. This limited warranty is good only to the original purchaser of the product and effective only when used in the United States including Alaska, Hawaii, and U.S. Territories.

| | |
|---------------------------------------------------------------------------------------------------------------------------------------------------------|----------------------------------------------------------------------------------------------------------------------------------------------------------------------------------------------------------------------------------------------------------------------------------------------------------------------|
| <p><u>WARRANTY PERIOD:</u></p> <p>Labor: 1 Year from the Date of Purchase.</p> <p>All Parts: 1 Year from the Date of Purchase.</p> | <p><u>HOW SERVICE IS HANDLED:</u></p> <p>Call 1-877-714-7483 and choose the appropriate prompt. Please have product type (Dryer), model number, serial number, and ZIP code ready.</p> <p>The warranted 1-year of labor covers the cost of In-Home Service on all parts including the Drum Tub and Motor.</p> |
|---------------------------------------------------------------------------------------------------------------------------------------------------------|----------------------------------------------------------------------------------------------------------------------------------------------------------------------------------------------------------------------------------------------------------------------------------------------------------------------|

THIS WARRANTY IS IN LIEU OF ANY OTHER WARRANTIES, EXPRESS OR IMPLIED, INCLUDING WITHOUT LIMITATION, ANY WARRANTY OF MERCHANTABILITY OR FITNESS FOR A PARTICULAR PURPOSE. TO THE EXTENT ANY IMPLIED WARRANTY IS REQUIRED BY LAW, IT IS LIMITED IN DURATION TO THE EXPRESS WARRANTY PERIOD ABOVE. LG WILL NOT BE LIABLE FOR ANY CONSEQUENTIAL, INDIRECT, OR INCIDENTAL DAMAGES OF ANY KIND, INCLUDING LOST REVENUES OR PROFITS, IN CONNECTION WITH THE PRODUCT. SOME STATES DO NOT ALLOW LIMITATION ON HOW LONG AN IMPLIED WARRANTY LASTS OR THE EXCLUSION OF INCIDENTAL OR CONSEQUENTIAL DAMAGES, SO THE ABOVE LIMITATIONS OR EXCLUSIONS MAY NOT APPLY TO YOU.

THIS LIMITED WARRANTY DOES NOT APPLY TO:

1. Service trips to your home to deliver, pick up, and/or install the product, instruct, or replace house fuses or correct wiring, or correction of unauthorized repairs; and
2. Damages or operating problems that result from misuse, abuse, operation outside environmental specifications or contrary to the requirements or precautions in the Operating Guide, accident, vermin, fire, flood, improper installation, acts of God, unauthorized modification or alteration, incorrect electrical current or voltage, or commercial use, or use for other than intended purpose.
3. **Therefore, the cost of repair or replacement of such a defective product shall be borne by the consumer.**

CUSTOMER INTER-ACTIVE CENTER NUMBERS:

| | |
|----------------------------------------------------------------------------------------------------------------------------------|----------------------------------------------------------------------------------------------------------------------------------------------------------------------------------------------------------------------------------------------------------------------------------------------------------------------------|
| <p>To Prove Warranty Coverage</p> | <p>Retain your Sales Receipt to prove date of purchase. A copy of your Sales Receipt must be submitted at the time warranty service is provided.</p> |
| <p>To Obtain Nearest Authorized Service Center or Sales Dealer, or to Obtain Product, Customer, or Service Assistance</p> | <p>Call 1-877-714-7483 (Monday ~ Friday, 7 AM ~ 8 PM CT; and Saturday, 8 AM ~ 5 PM CT) and choose the appropriate prompt from the menu, and have your product type (Dryer), model number, serial number, and ZIP Code; or visit our website at http://www.lgservice.com.</p> |



Free Manuals Download Website

<http://myh66.com>

<http://usermanuals.us>

<http://www.somanuals.com>

<http://www.4manuals.cc>

<http://www.manual-lib.com>

<http://www.404manual.com>

<http://www.luxmanual.com>

<http://aubethermostatmanual.com>

Golf course search by state

<http://golfingnear.com>

Email search by domain

<http://emailbydomain.com>

Auto manuals search

<http://auto.somanuals.com>

TV manuals search

<http://tv.somanuals.com>