



Internal Use Only

Website:<http://www.zenithappliances.com>

Dehumidifier

SERVICE MANUAL

MODELS: ZD30

CAUTION

- BEFORE SERVICING THE UNIT,
READ THE SAFETY PRECAUTIONS IN THIS MANUAL.
- ONLY FOR AUTHORIZED SERVICE.

1. Specification

MODELS		ZD30
ITEMS		
CAPACITY(Pints/24hrs)		30
POWER SUPPLY(Phase,V,Hz)		1Ø, 115V,60Hz
INPUT(W)		490
RUNNING CURRENT(A)		4.8
ENERGY FACTOR(L/kw.h)		1.20
REFRIGERANT		R22
REFRIGERANT CHARGE, oz(g)		5.29(150)
THERMISTOR	OPEN	33.8°F(1±0.5°C)
	CLOSE	50°F(10±0.5°C)
SOLENOID VALVE		Using Temp/Humid.: -4~122°F(-20~50°C)/95%RH ↓ Rating:7W/90mA
COMPRESSOR MODEL No.		SD063SW
PROTECTOR		OVERLOAD PROTECTOR FOR COMPRESSOR INTERNAL PROTECTOR(FUSE)FOR MOTOR
CAPACITOR		35µF,270VAC
MOTOR ASSEMBLY,SINGLE		Shaded pole motor,72W/1.4A,Thermal cutoff:266 °FV/130°C
SWITCH ASSEMBLY,MICRO		15A/250VAC
OUTSIDED MENSIONS WxHxD,mm(in)		385X540X340(15 5/32 x 21 1/4 x 13 3/8)
NET WEIGHT,kg(lbs)		20.1(44.3)

※ *NOTE: Specifications are subject to minor change without notice for further improvement.

2 Dehumidifier

2. Piping Diagrams

Equipment needed: Vacuum pump, charging cylinder, manifold gauge, brazing equipment, pinch-off tool capable of making a vapor-proof seal, leak detector, tubing cutter, hand tools to remove components, service valve.

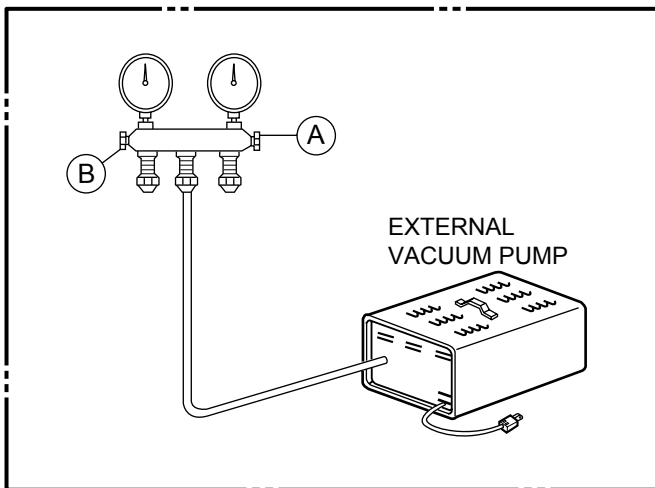
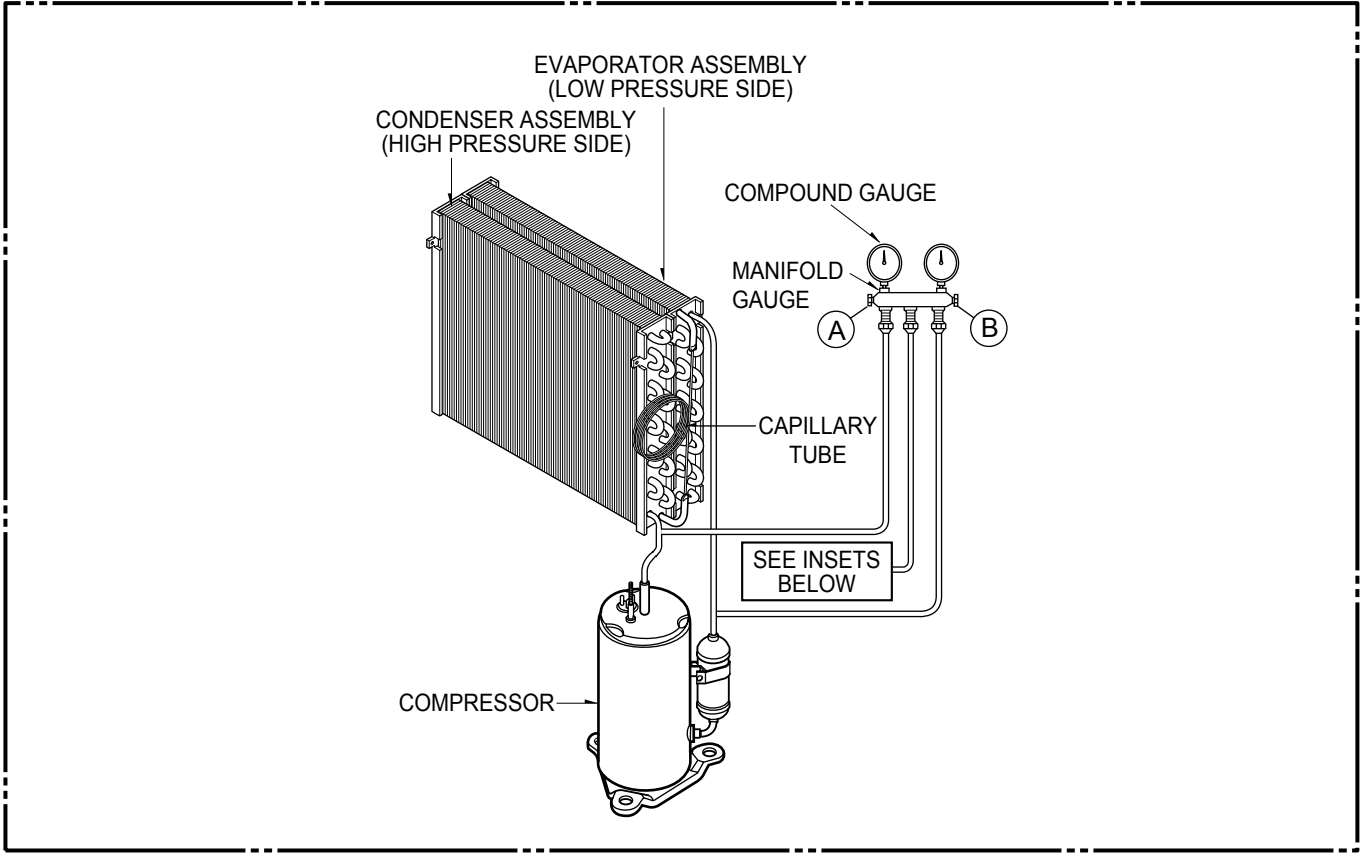


Figure A-Pulling Vacuum

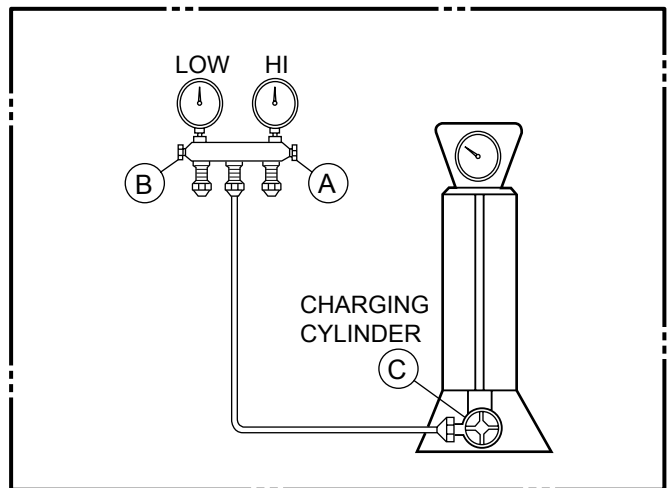
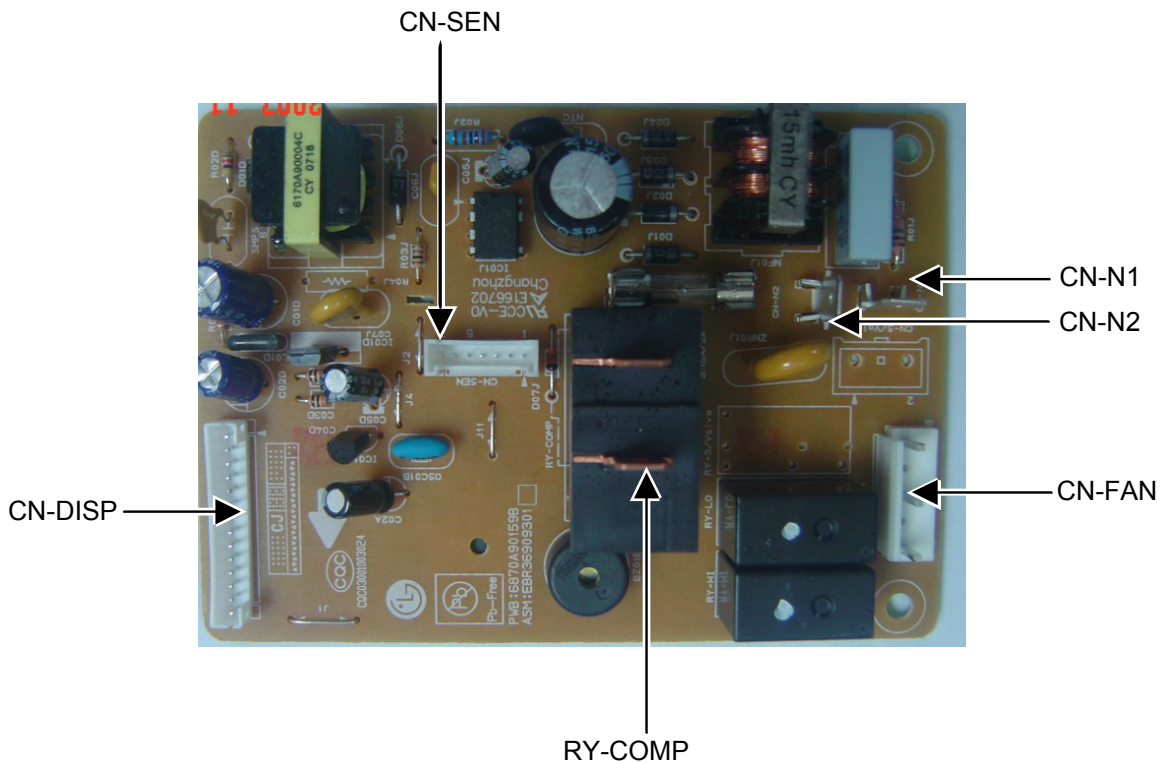
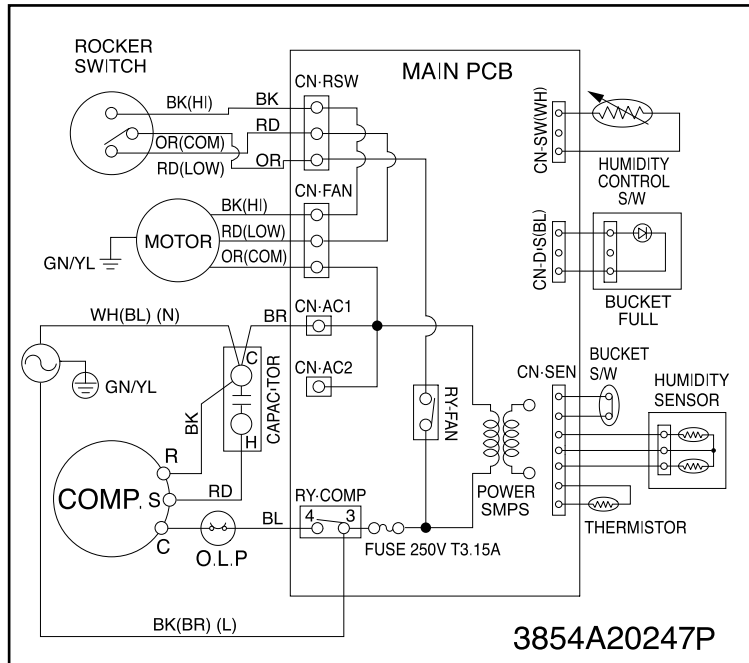


Figure B-Charging

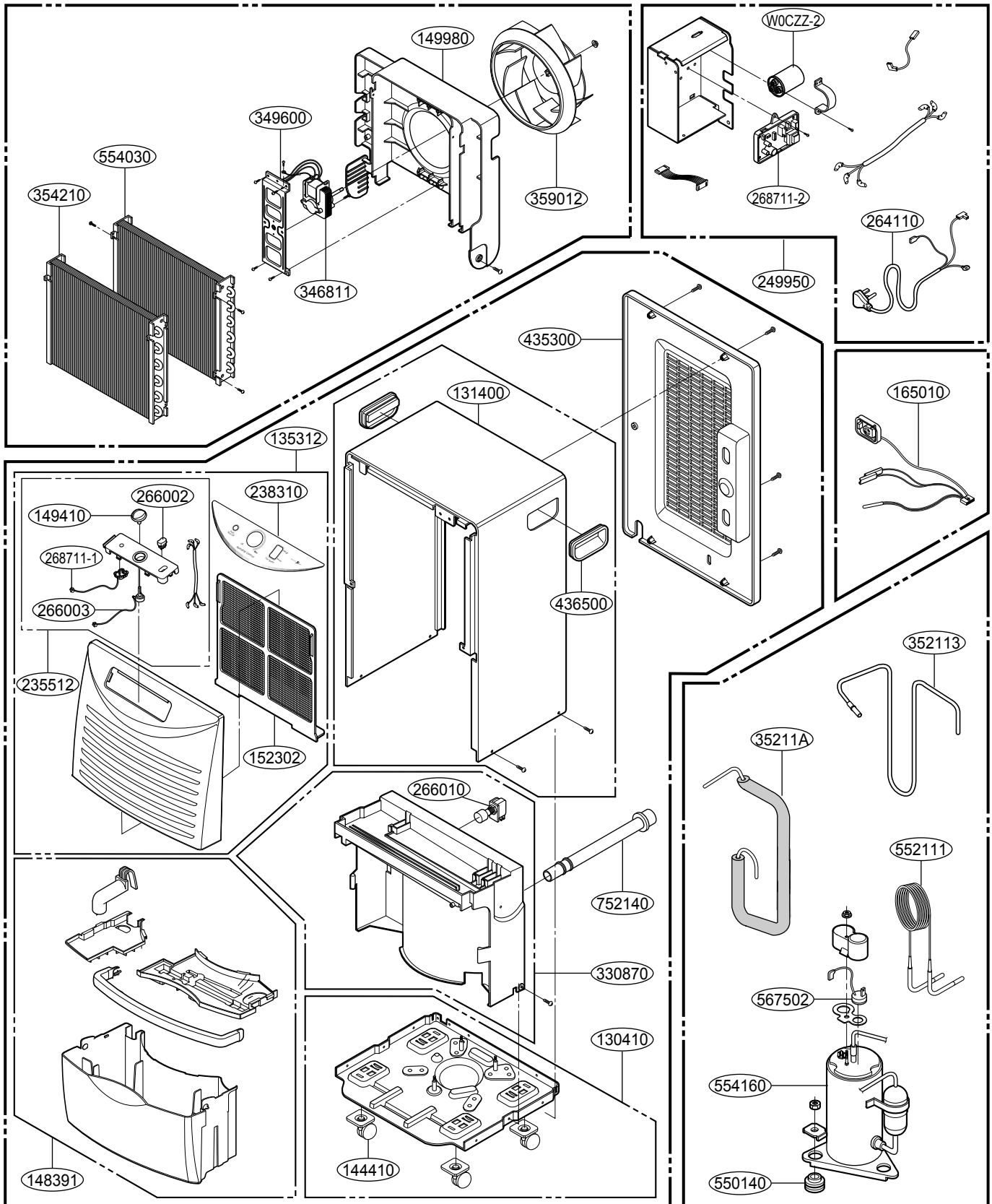
3. Wiring Diagrams

• MODEL : ZD30



4. Exploded View

• MODEL: ZD30





P/NO : MFL38891307

November , 2007

Free Manuals Download Website

<http://myh66.com>

<http://usermanuals.us>

<http://www.somanuals.com>

<http://www.4manuals.cc>

<http://www.manual-lib.com>

<http://www.404manual.com>

<http://www.luxmanual.com>

<http://aubethermostatmanual.com>

Golf course search by state

<http://golfingnear.com>

Email search by domain

<http://emailbydomain.com>

Auto manuals search

<http://auto.somanuals.com>

TV manuals search

<http://tv.somanuals.com>