



LG

Life's Good

ENGLISH

Owner's Manual

IPS LED MONITOR (LED MONITOR)

Please read the safety information carefully before using the product.

IPS LED Monitor (LED Monitor) Model List

29UM65

29UB65

CONTENTS

3 LICENSE

4 ASSEMBLING AND PREPARING

- 4 Product Components
- 5 Component and Button Description
- 7 Moving and Lifting the Monitor
- 8 Installing the Monitor
 - 8 - Assembling the stand base
 - 9 - Using the cable holder
 - 10 - Detaching the stand base
 - 12 - Installing onto a table
 - 13 - Adjusting the stand height
 - 14 - Adjusting the angle
 - 15 - Pivot feature
 - 16 - Using the Kensington lock
 - 16 - Installing the wall mount plate
 - 17 - Installing to a wall

18 USING THE MONITOR

- 18 Connecting to a PC
 - 18 - DVI connection
 - 19 - DisplayPort connection
 - 19 - HDMI connection
- 20 Connecting to AV Devices
 - 20 - HDMI connection
- 21 Connecting to External Devices
 - 21 - Headphone port connection

22 INSTALLING LG MONITOR SOFTWARE

24 CUSTOMIZING SETTINGS

- 24 Activating the Main Menu
- 25 Customizing settings
 - 25 - Menu Settings
 - 25 - -Easy control
 - 26 - -Function
 - 27 - -PBP
 - 28 - -Screen
 - 29 - -Settings
 - 30 - -Reset
 - 31 - Reader Settings

32 TROUBLESHOOTING

34 SPECIFICATIONS

- 35 Factory support mode
(Preset Mode, DVI-D/HDMI/PC
DisplayPort)
- 35 HDMI Timing (Video)
- 35 Power Indicator

36 PROPER POSTURE

- 36 Proper Posture for Using the Monitor

LICENSE

Each model has different licenses. Visit www.lg.com for more information on the license.



The terms HDMI and HDMI High-Definition Multimedia Interface, and the HDMI logo are trademarks or registered trademarks of HDMI Licensing LLC in the United States and other countries.

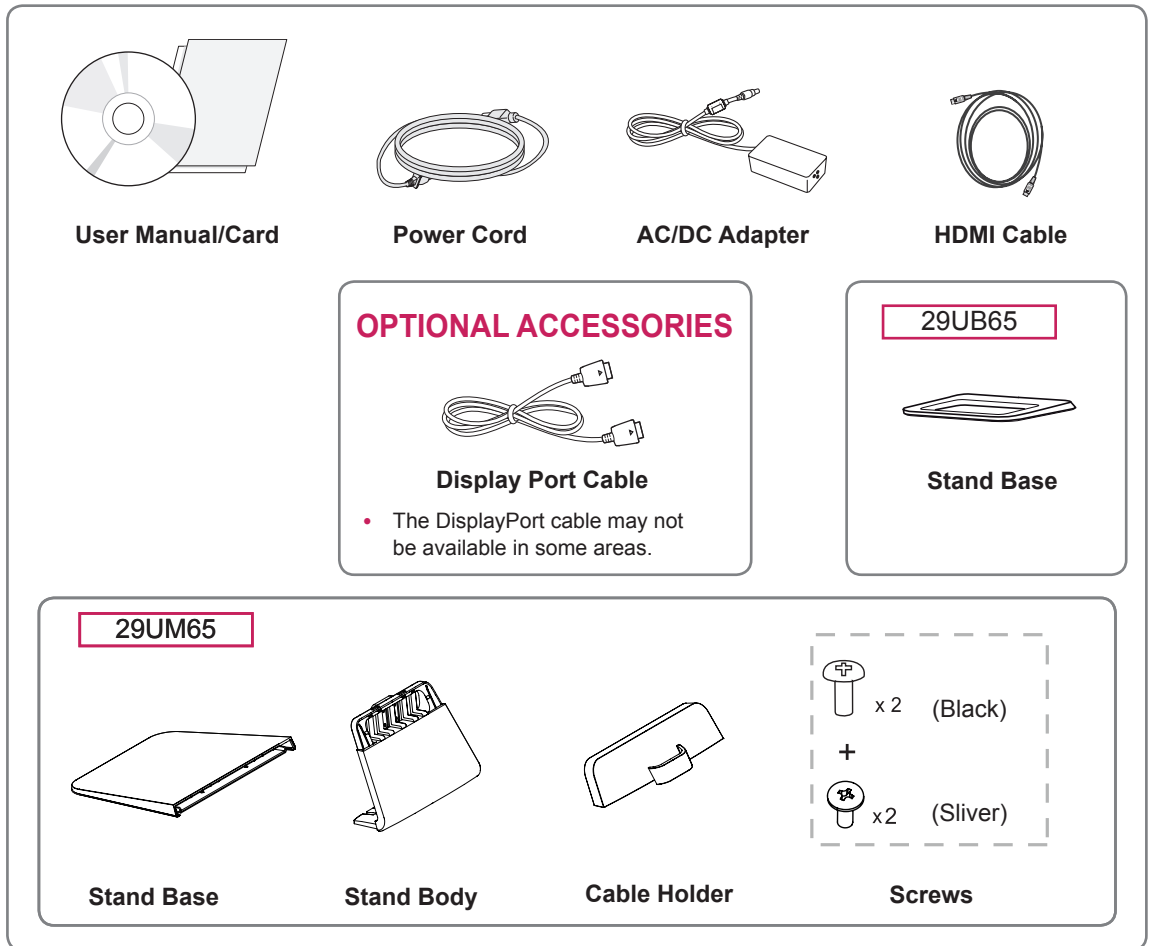


VESA, VESA logo, Display Port Compliance Logo and Display Port Compliance Logo for dual-mode source are all registered trademarks of the Video Electronics Standards Association.

ASSEMBLING AND PREPARING

Product Components

Please check whether all the components are included in the box before using the product. If there are missing components, contact the retail store where you purchased the product. Note that the product and components may look different from those shown here.



! CAUTION

- Always use genuine components to ensure safety and product performance.
- The product warranty will not cover damage or injury caused by the use of counterfeit components.

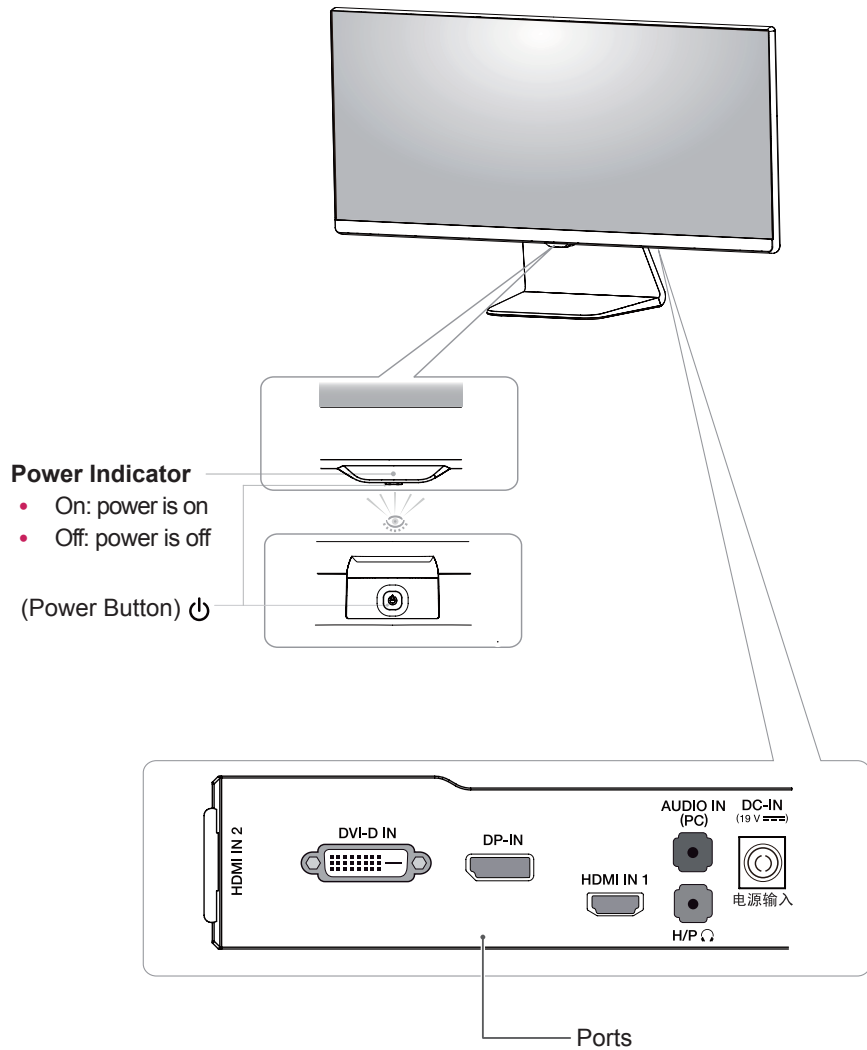
! NOTE

- Note that the components may look different from those shown here.
- Without prior notice, all information and specifications in this manual are subject to change to improve the performance of the product.
- To purchase optional accessories, visit an electronics store or online shopping site or contact the retail store where you purchased the product.
- The DisplayPort cable may not be available in some areas.

Component and Button Description

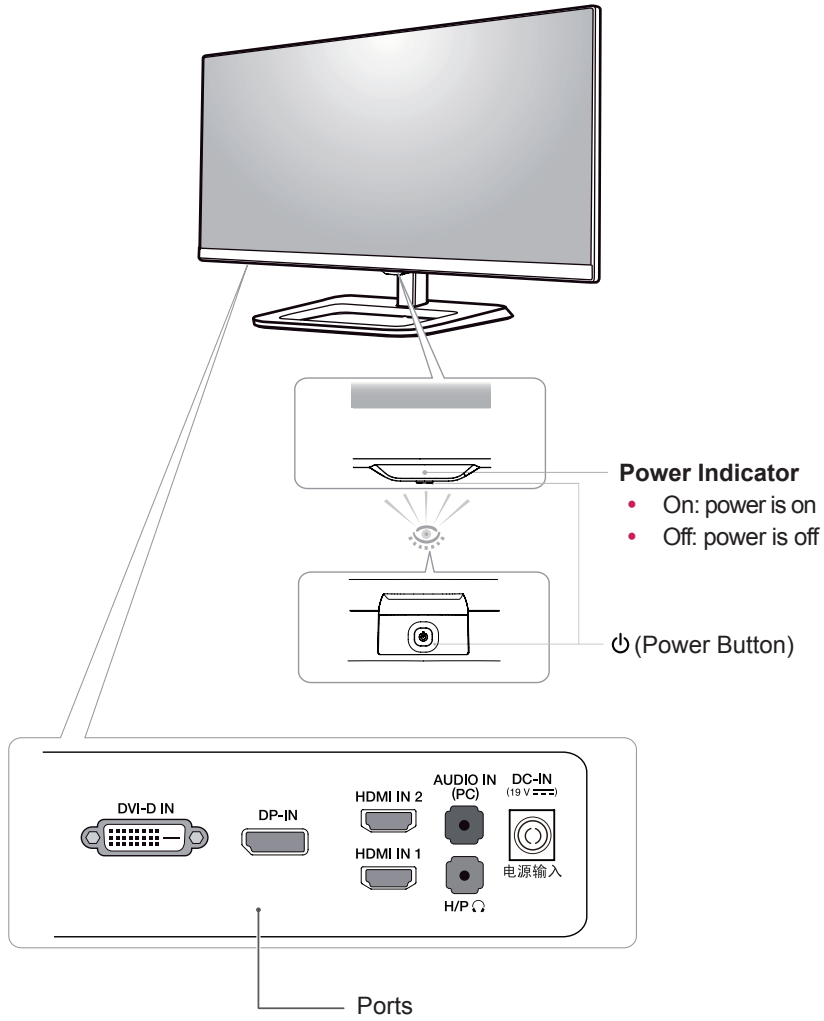
29UM65

ENGLISH



29UB65

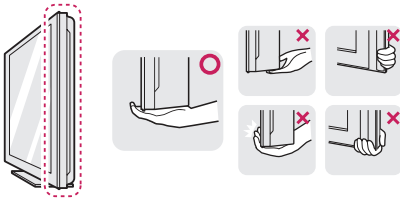
ENGLISH



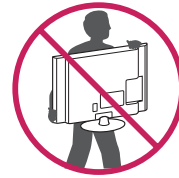
Moving and Lifting the Monitor

When moving or lifting the monitor, follow these instructions to prevent the monitor from being scratched or damaged and to ensure safe transportation regardless of its shape or size.

- It is advisable to place the monitor in the original box or packing material before attempting to move it.
- Before moving or lifting the monitor, disconnect the power cord and all cables.
- Hold the top and bottom of the monitor frame firmly. Do not hold the panel itself.



- When holding the monitor, the screen should face away from you to prevent it being scratched.



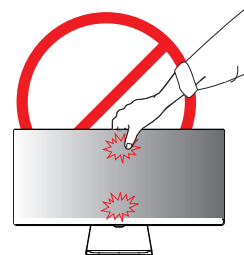
- When moving the monitor, avoid any strong shock or vibrations to the product.
- When moving the monitor, keep it upright, never turn the monitor on its side or tilt it sideways.



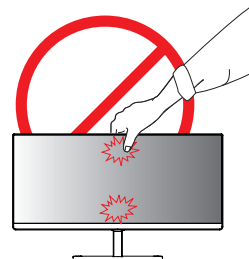
CAUTION

- As far as possible, avoid touching the monitor screen. This may result in damage to the screen or some of the pixels used to create images.

29UM65



29UB65



Installing the Monitor

Assembling the stand base

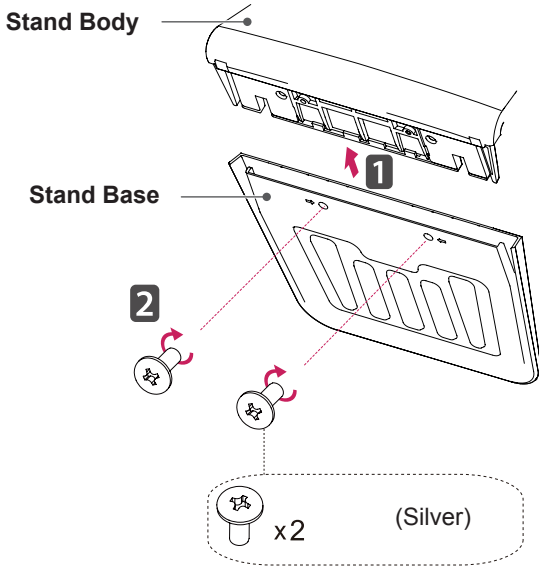
29UM65

1 Place the screen face down.

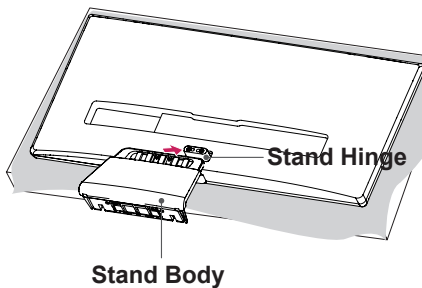
CAUTION

- To protect the screen from scratches, cover the surface with a soft cloth.

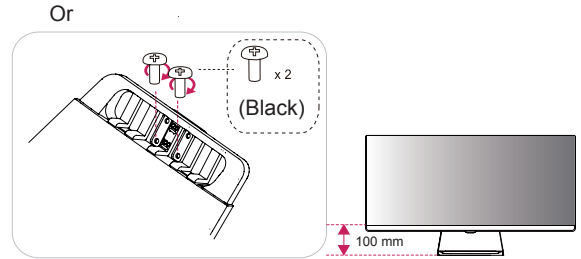
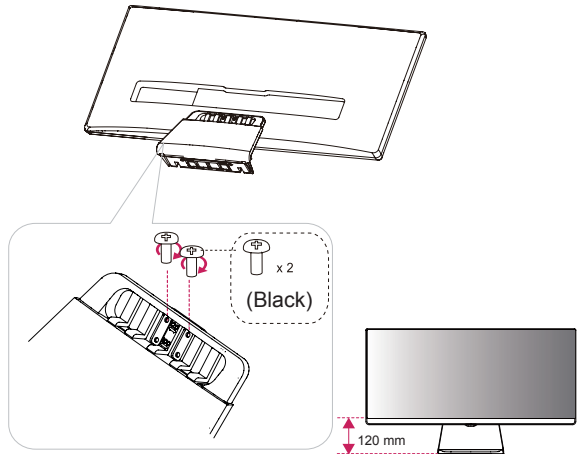
2 First, please insert Stand Body to Stand Base, Then tighten two screws into the back of the stand base.



3 Check the direction of the stand body (front, back) and then mount the stand body onto the stand hinge.



4 Tighten two screws into the back of the stand body .



CAUTION

Applying excessive force when tightening the screws may cause damage to the monitor. Damage caused in this way will not be covered by the product warranty.

CAUTION

It may hurt your foot off the stand, so be careful.

29UB65

- 1 Place the screen face down.

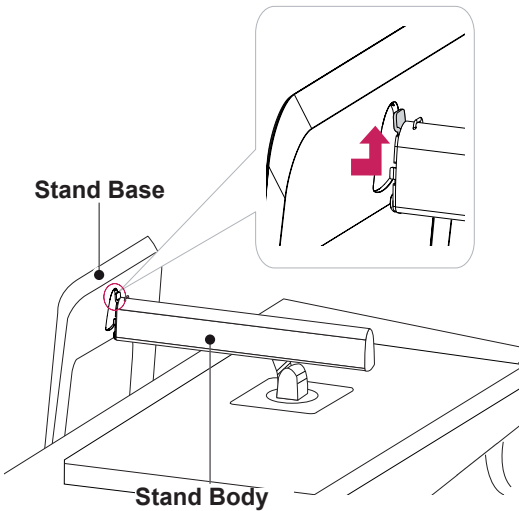
**CAUTION**

- To protect the screen from scratches, cover the surface with a soft cloth.

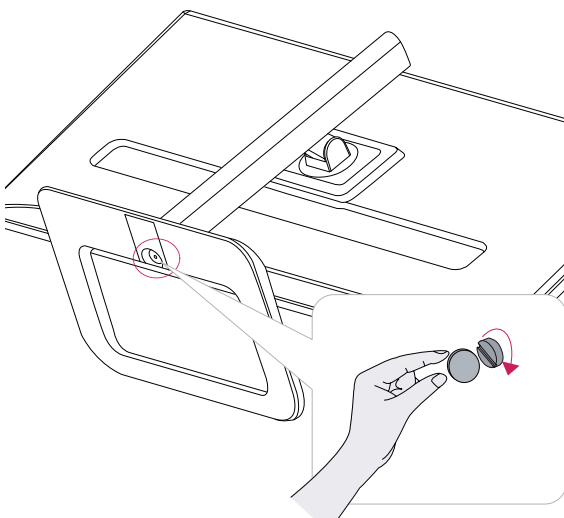
- 2 Insert the **stand base** into the hook of the **stand body**.

**CAUTION**

It may hurt your foot off the stand, so be careful.



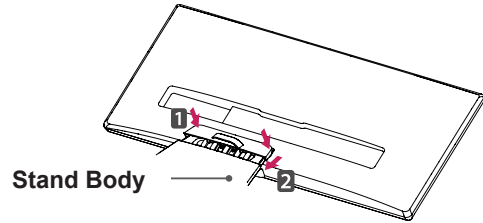
- 3 Fix by turning the screw to the right with a coin.



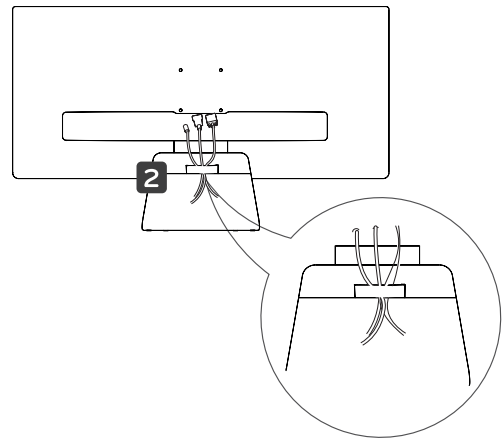
Using the cable holder

29UM65

- 1 First, as shown in the illustration, push the cable holder on the stand body. Second, fix the cable holder to stand body.



- 2 Put the cables into the cable holder.



Detaching the stand base

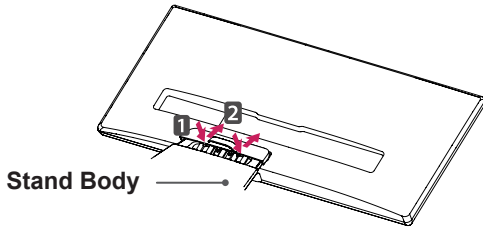
29UM65

1 Place the screen face down.

CAUTION

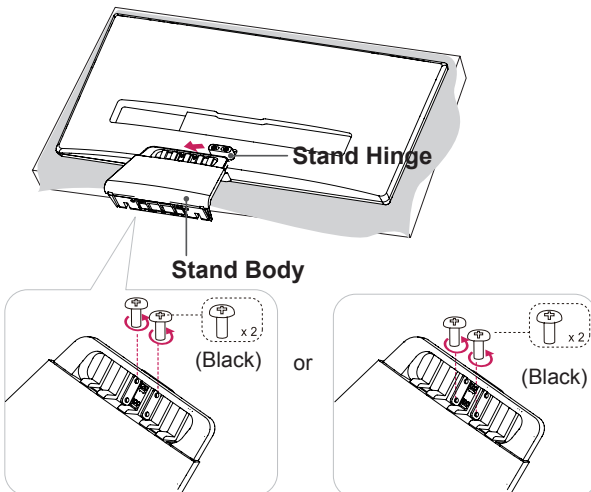
- To protect the screen from scratches, cover the surface with a soft cloth.

2 First, press the the cable holder as shown in the illustration, Second ,Remove the cable holder from the stand body.

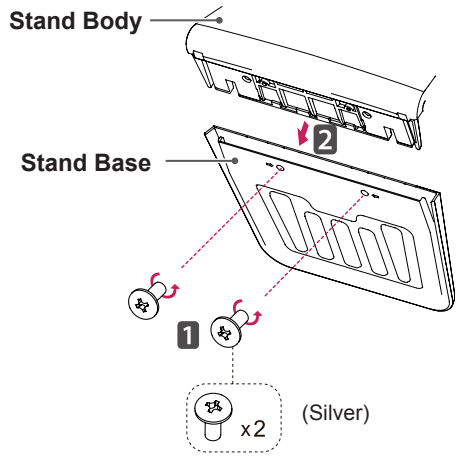


3 Remove the two screws on the back of stand body.

As shown in the illustration, disconnect the **stand body from the stand hinge**.



4 Remove the two screws from the Stand Base. Remove the Stand Base from the Stand Body.



CAUTION

- Illustrations in this document represent typical procedures, so they may look different from the actual product.
- Do not carry the monitor upside down by just holding the stand base. This may cause the monitor to fall off the stand and could result in personal injury.
- When lifting or moving the monitor, do not touch the monitor screen. Applying force or pressure may damage the monitor screen. Instead, hold the stand body or the plastic frame of the product.

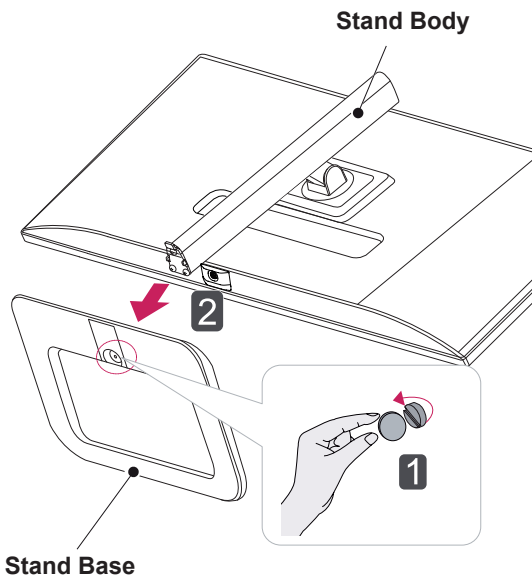
29UB65

- 1 Place the screen face down.

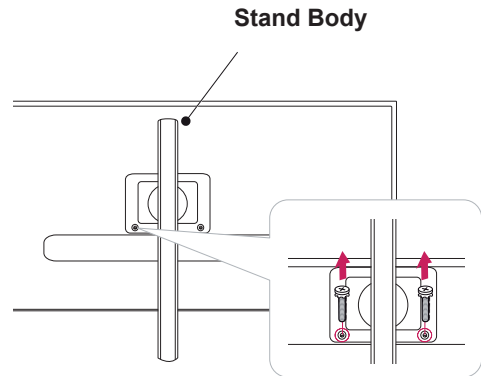
**CAUTION**

- To protect the screen from scratches, cover the surface with a soft cloth.

- 2
 - 1 Turn the screw to the left using a coin.
 - 2 Detach the **stand base**.



- 3 Remove the two screws from the stand body.

**CAUTION**

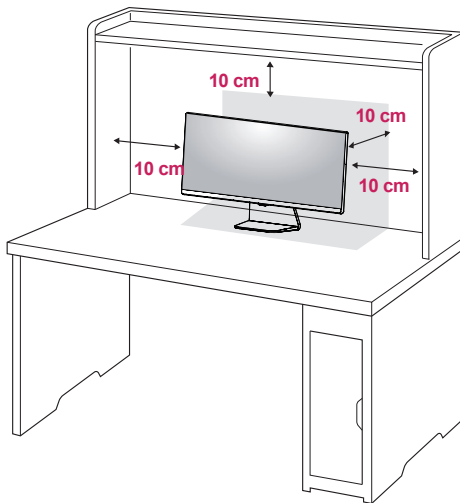
- The components in the illustrations may differ from the actual product.
- Do not carry the monitor upside down, as this may cause it to fall off its stand and result in damage or injury.
- To avoid damaging the screen when lifting or moving the monitor, only hold the stand or the plastic cover. This avoids putting unnecessary pressure on the screen.

Installing onto a table

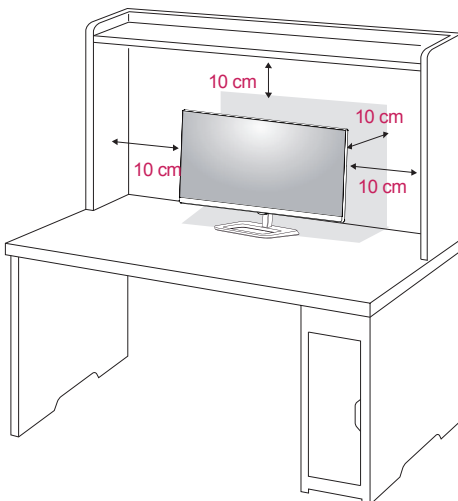
- 1 Lift the monitor and place it on the table in an upright position.

Place at least **10 cm** away from the wall to ensure sufficient ventilation.

29UM65

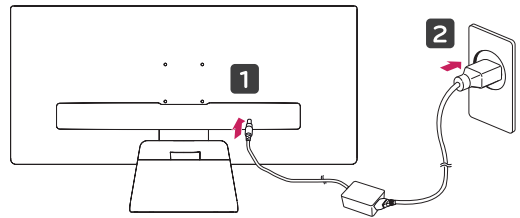


29UB65

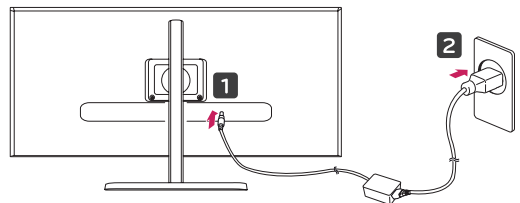



- 2 Connect the adapter to the monitor, then plug the power cord into the power outlet.

29UM65



29UB65



- 3 Press the  (Power) button on the bottom of the monitor to turn it on.

CAUTION

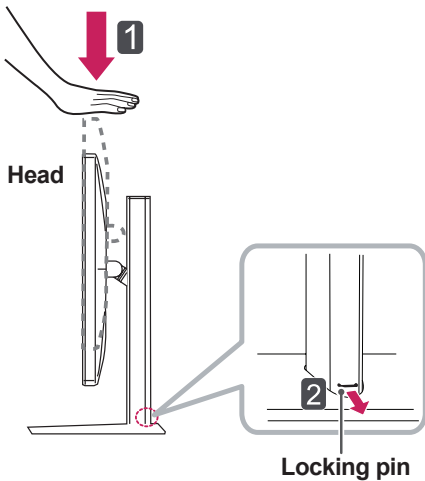
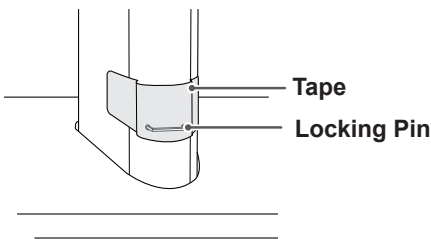
- Unplug the power cord prior to moving or installing the monitor. There is risk of electric shock.

Adjusting the stand height

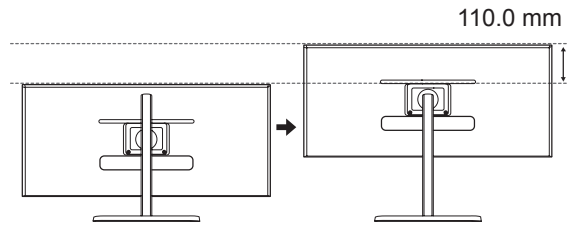
29UB65

- 1 Stand the monitor assembled with the stand base in an upright position
- 2 Remove the **tape attached to the bottom back of the stand body** and then **pull out the locking pin while pressing the head downward**.

Stand Body



- 3 The height can be adjusted up to **110.0 mm**.

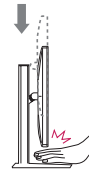


CAUTION

- Once the pin is removed, it is not necessary to re-insert it to adjust the height.



WARNING

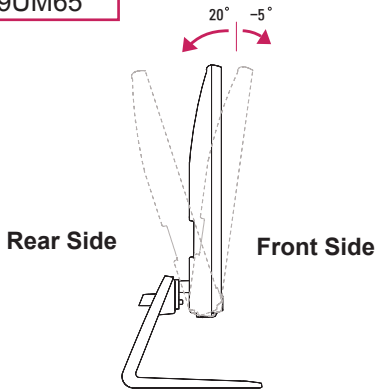


- Do not put your fingers or hand between the screen and the base (chassis) when adjusting the screen's height.

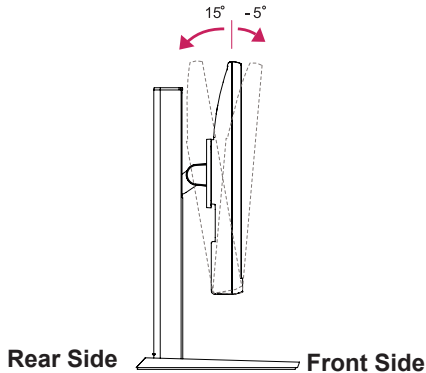
Adjusting the angle

- 1 Place the monitor in an upright position, mounted on the stand base.
- 2 Adjust the angle of the screen. The angle of the screen can be adjusted forwards or backwards for a comfortable viewing experience.

29UM65



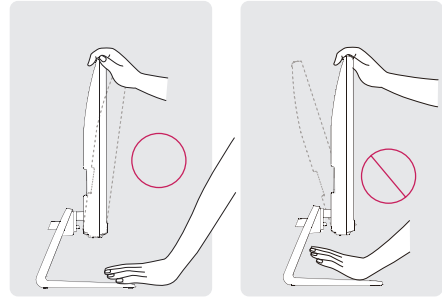
29UB65



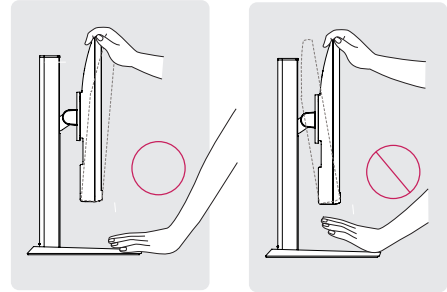
! WARNING

- To avoid injury to the fingers when adjusting the screen, do not hold the lower part of the monitor's frame as illustrated below.

29UM65

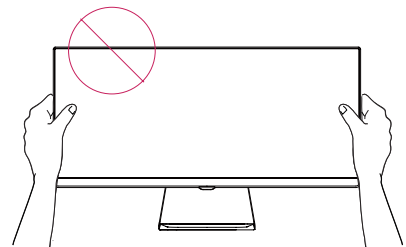


29UB65

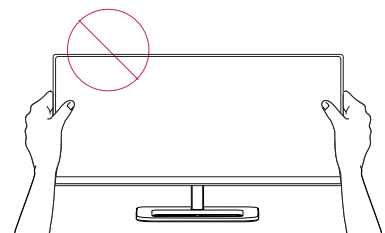


- Be careful not to touch or press the screen area when adjusting the angle of the monitor.

29UM65



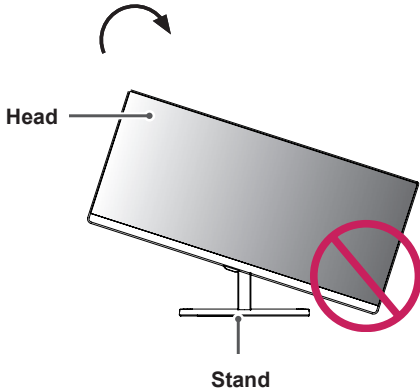
29UB65



29UB65

Pivot feature

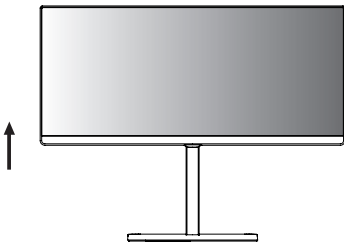
The pivot feature allows the monitor to rotate 90° clockwise.



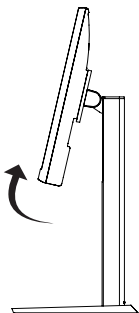
WARNING

- To avoid scratching the stand base, make sure that when rotating the monitor using the pivot feature, the stand does not make contact with the monitor.

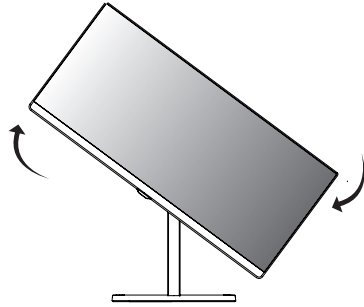
- 1 Raise the monitor up to the maximum height.



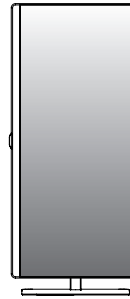
- 2 Adjust the angle of the monitor in the direction of the arrow as shown in the figure.



- 3 Rotate the monitor clockwise as shown in the figure.



- 4 Complete the installation by rotating the monitor 90° as shown below.



WARNING

- Take care when rotating the monitor if the cable is connected.



NOTE

- An image displayed on the monitor's screen does not rotate according to the screen orientation.

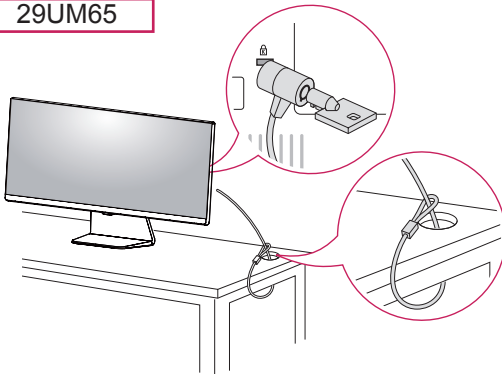
Using the Kensington lock

The Kensington security system connector is located at the back of the Monitor set.

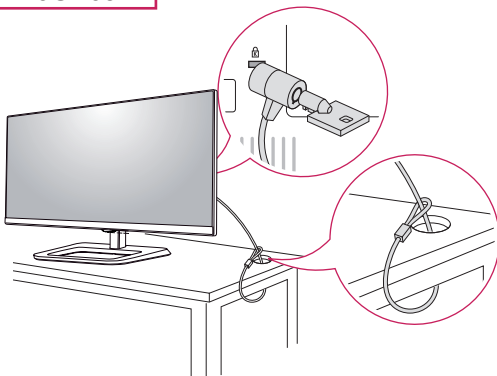
For more information on installation and usage, refer to the Kensington lock user manual or visit the website at <http://www.kensington.com>.

Connect the Kensington security system cable between the Monitor set and a table.

29UM65



29UB65



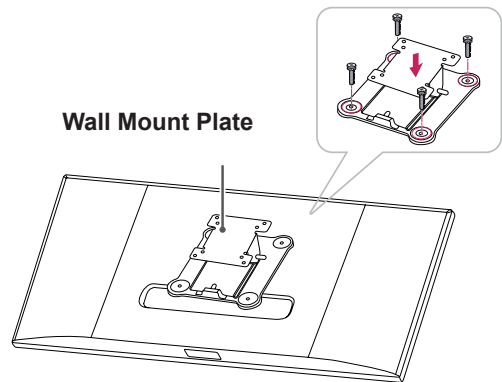
! NOTE

- Use of the Kensington lock is optional. The accessories can be purchased at your local electronics store.

Installing the wall mount plate

This monitor supports the specification of the standard wall mount plate or compatible device.

- 1 Place the screen face down. To protect the screen from scratches, cover the surface with a soft cloth.
- 2 Place the wall mount plate onto the monitor and align it with the screw holes.
- 3 Using a screwdriver, tighten the four screws to fix the plate onto the monitor.

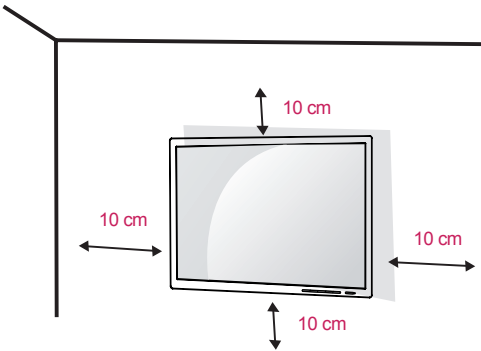


! NOTE

- The wall mount plate is sold separately.
- For more information on installation, refer to the wall mount plate's installation guide.
- Be careful not to use excessive force when mounting the wall mount plate, as this can damage the monitor's screen.

Installing to a wall

Install the monitor at least 10 cm away from the wall and leave about 10 cm of space at each side of the monitor to ensure sufficient ventilation. Detailed installation instructions can be obtained from your local retail store. Please refer to the manual to install and set up a tilting wall mounting bracket.



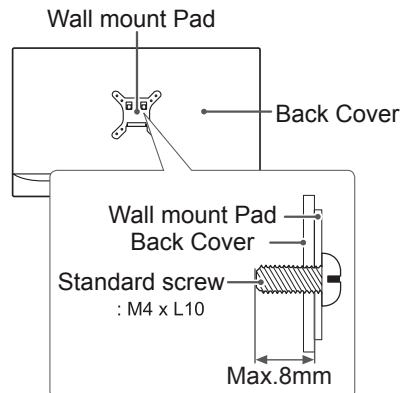
To install the monitor to a wall, attach a wall mounting bracket (optional) to the back of the monitor. Make sure that the wall mounting bracket is securely fixed to the monitor and to the wall.

- 1 Use the screws and wall mounting bracket that comply with the VESA standard.
- 2 Screws which are longer than the standard length may damage the inside of the monitor.
- 3 A non-VESA standard screw may damage the product and cause the monitor to fall. LG Electronics is not liable for any accidents relating to the use of non-standard screws.
- 4 VESA compatible only with respect to screw mounting interface dimensions and mounting screw specifications
- 5 Use it according to the VESA standard as specified below.
 - 784.8 mm or less
 - * Thickness of the wall mount plate: 2.6 mm
 - * Fastening screw: Diameter 4.0 mm x Pitch 0.7 mm x Length 10 mm
 - 787.4 mm or greater
 - * Use the wall mount plate and screws that conform to the VESA standard.

VESA (A x B)	75 x 75
Stand Screw	M4 x 10
Required Screws	4

CAUTION

- Unplug the power cord before moving or installing the monitor to avoid electric shocks.
- Installing the monitor on the ceiling or on a slanted wall may result in the monitor falling off, which could lead to injury. Please use the genuine LG wall mounting bracket. For more information, contact your local retail store or a qualified installer.
- Applying excessive force when fastening screws may cause damage to the monitor. Damage caused in this way will not be covered by the product warranty.
- Use the wall mounting bracket and screws that conform to the VESA standard. Damage caused by the use or misuse of inappropriate components will not be covered by the product warranty.
- Screw length from outer surface of back cover should be under 8mm.



NOTE

- Use the screws specified by the VESA standard.
- The wall mount kit includes the installation guide and all necessary parts.
- The wall mounting bracket is optional. The accessories can be purchased at your local retail store.
- The length of the screw may differ for each wall mounting bracket. Ensure the correct length screw is used.
- For more information, please refer to the user manual for the wall mounting bracket.

USING THE MONITOR

Connecting to a PC

- This monitor supports the *Plug and Play feature.
*Plug and Play: A feature that allows you to add a device to your computer without having to reconfigure anything or install any manual drivers.

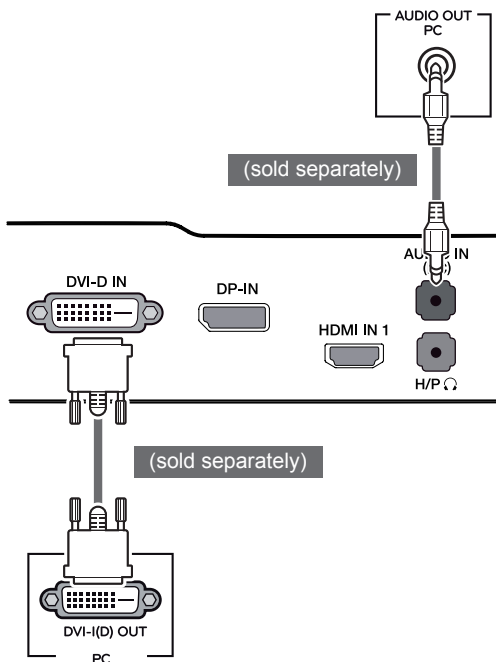
DVI connection

Transmits digital video signals to the monitor. Connect the monitor using the DVI cable as illustrated below.

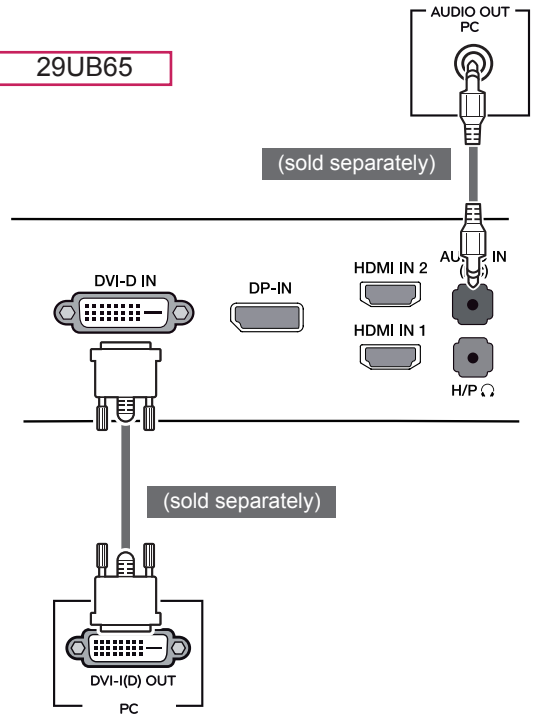
Press the menu button and then select the input option from the input menu.

To hear the sound in DVI input mode, connect the PC's AUDIO OUT port to the monitor's AUDIO IN (PC) port using the audio cable that came with the product.

29UM65

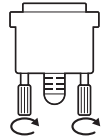


29UB65



CAUTION

- Connect the input signal cable and turn in the direction of the arrow. To prevent disconnection secure the cable tightly.
- Do not press on the screen for a prolonged period of time. This may cause image distortion.
- Do not display a still image on the screen for a prolonged period of time. This may cause image retention. If possible, use the screen saver.



NOTE

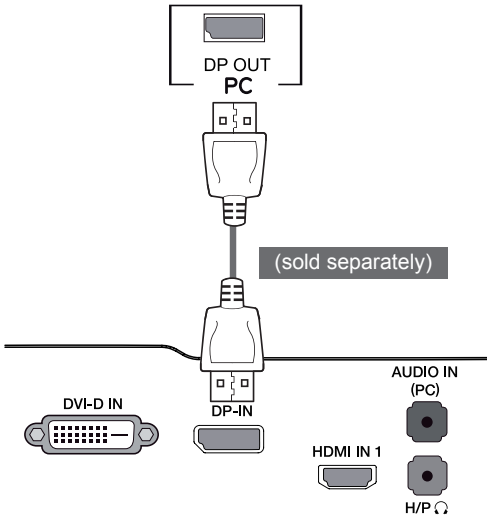
- When connecting the power cord to the outlet, use a grounded (3-hole) multi-socket or a grounded power outlet.
- The monitor may flicker when turned on in an area of low temperature. This is normal.
- Sometimes red, green, or blue spots may appear on the screen. This is normal.
- Using a DVI to HDMI cable may cause compatibility issues.

DisplayPort connection

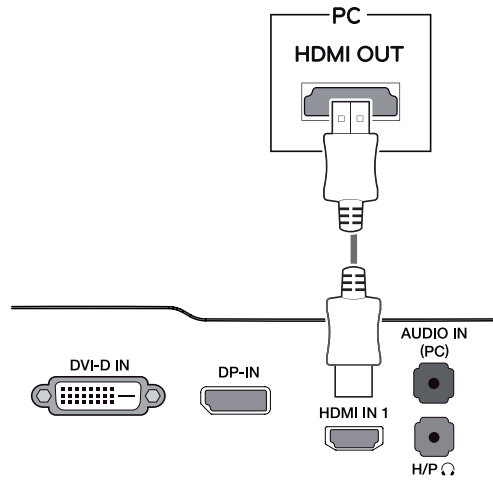
Transmits the digital video and audio signals from your PC to the monitor. Connect your PC to the monitor using the display port cable as illustrated below.

Press the menu button and then select the input option from the input menu.

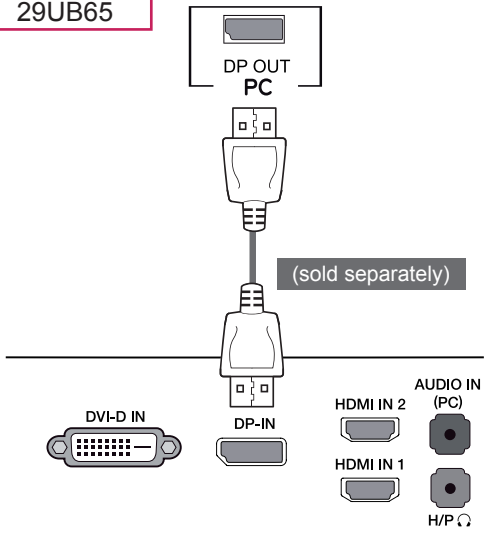
29UM65



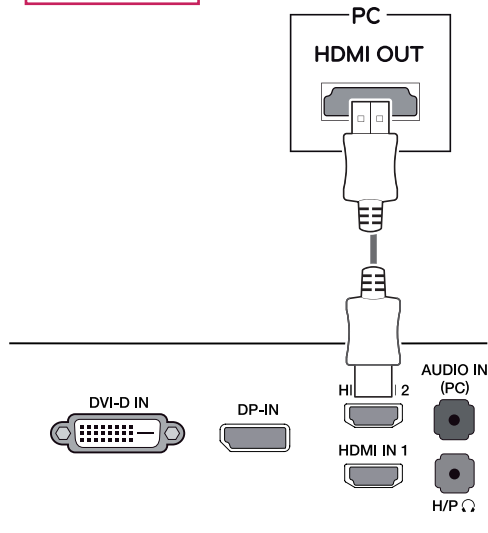
29UM65



29UB65



29UB65



NOTE

- There may be no video or audio output depending on the DP version of the PC.
- The DisplayPort cable may not be available in some areas.



NOTE

- HDMI PC may cause device compatibility issues.
- Using a DVI to HDMI cable may cause compatibility issues.

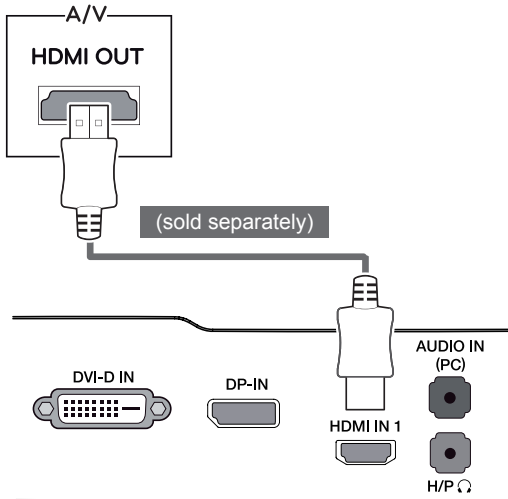
Connecting to AV Devices

HDMI connection

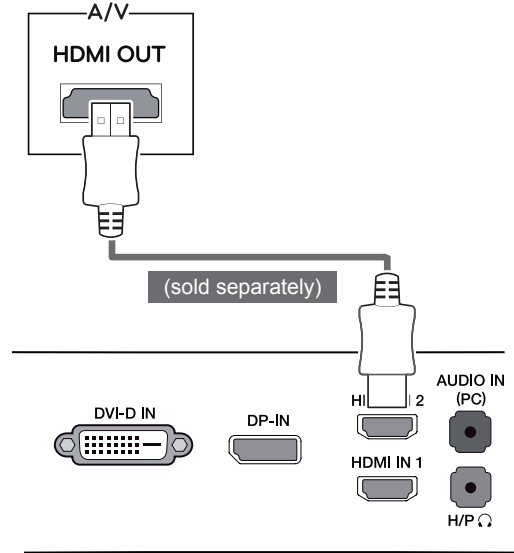
Transmits the digital video and audio signals from your PC and A/V devices to the monitor. Connect your PC and AV device to the monitor with the HDMI cable as illustrated below.

Press the menu button and then select the input option from the input menu.

29UM65



29UB65



NOTE

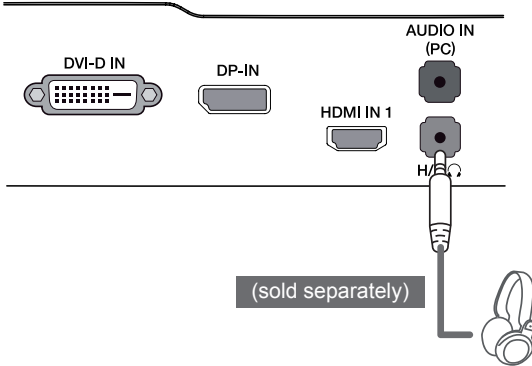
- Using a DVI to HDMI cable may cause compatibility issues.

Connecting to External Devices

Headphone port connection

Use the headphone port to connect a peripheral device to the monitor. Connect as illustrated.

29UM65

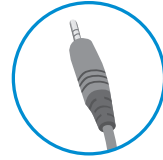


! NOTE

- For an angle plug earphone, it is difficult to connect it with a peripheral device, so use a straight type.



Angle Type

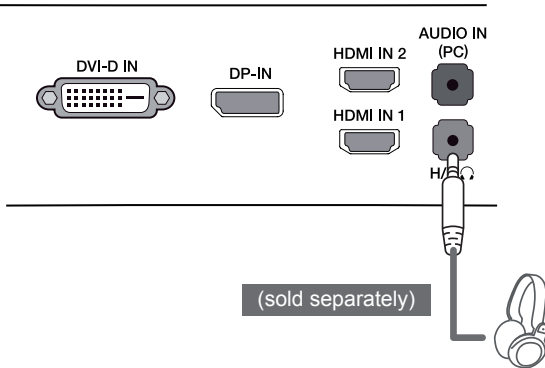


Straight Type

! NOTE

- Depending on the audio settings of the PC and external device, headphone and speaker functions may be limited.

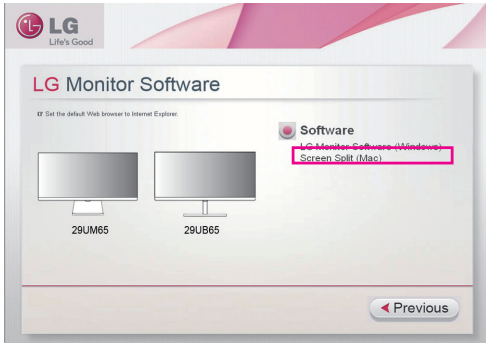
29UB65



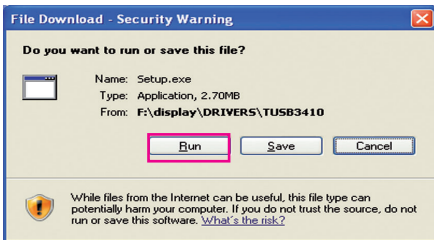
INSTALLING LG MONITOR SOFTWARE

Insert the the owner's manual CD included in the product package into your PC's CD driver and install the LG Monitor Software.

1 Set the default Web browser to Internet Explorer.



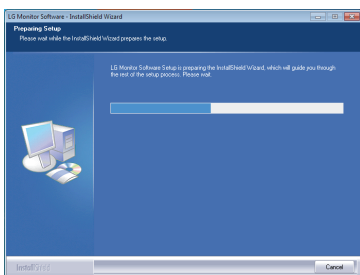
2 Click the "LG Monitor Software" on the CD's main screen. When the file download window appears, click the Run button. (The file download window may vary depending on the operating system and the Internet Explorer version, but the installation procedures are same.)



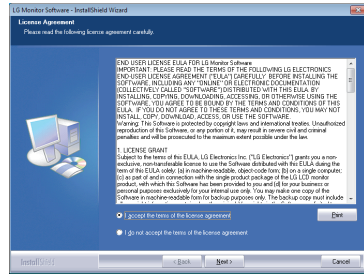
CAUTION

- Service Pack 1 or higher is required for Windows 7.

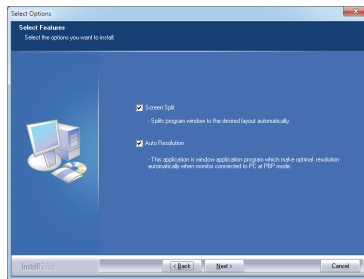
3 Follow the instructions to proceed with the installation.



4 Check "I accept the terms of the agreement" on the License Agreement screen and then click the [Next] button.



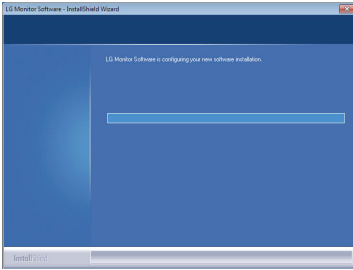
5 Select the program that you want to install.



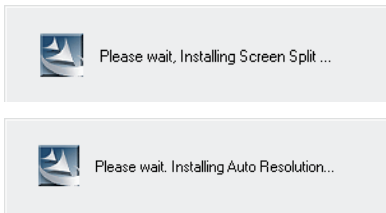
NOTE

- Screen Split: This program automatically splits the program window as desired. This program not supported Windows XP.
- Auto Resolution: This is a program that automatically changes the resolution to the optimal settings when connecting the monitor to the PC in PBP mode.
 - ※ This program is not supported in Clone Mode.
 - ※ Extended Mode is not supported when using a single display.
 - ※ This program not supported Windows XP & Vista.

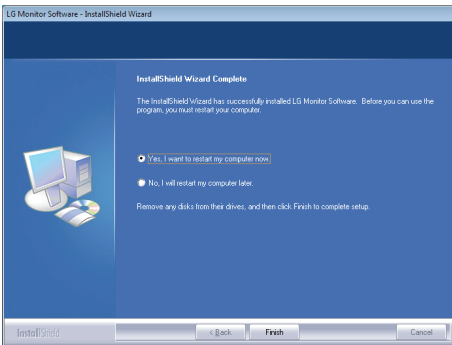
6 The LG Monitor Software installation starts as shown below.




7 The program you selected on the Select Features page will install automatically.



8 When the installation is complete, restart your system.

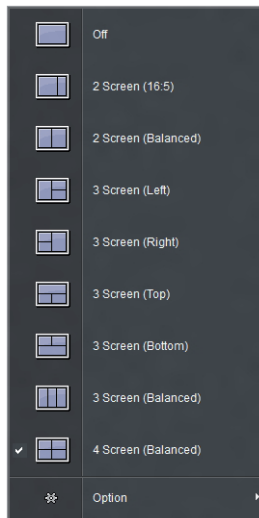


NOTE

If you run Screen Split, the Screen Split icon [] appears in the system tray at the right bottom of the PC screen.

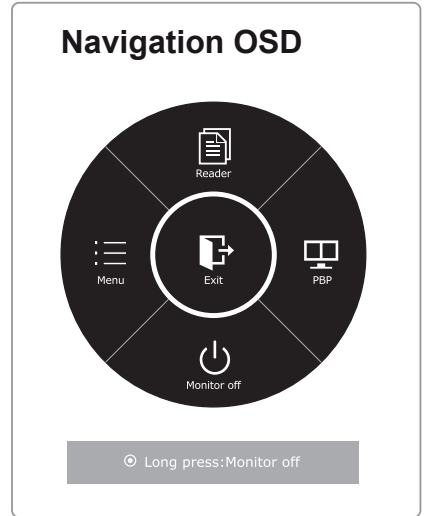
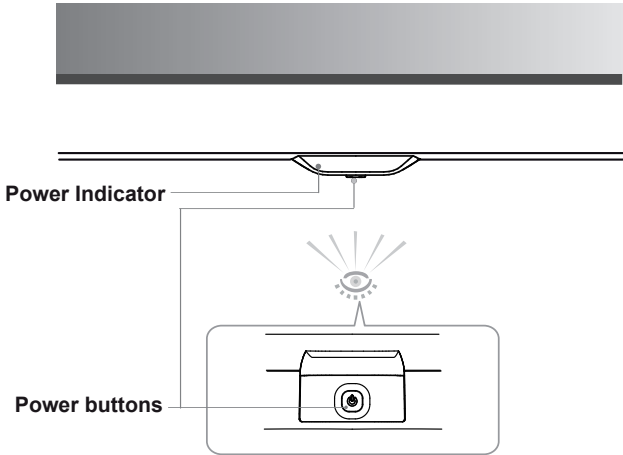


Right-click the Screen Split icon and select a layout you want.



CUSTOMIZING SETTINGS

Activating the Main Menu



- 1 Press the Power (⏻) button, the navigation OSD appear.
- 2 Jog the Power button left (⏪), right (⏩), up (⏴), down (⏵) to adjust the options.
- 3 Press and hold the Power (⏻) button to exit the OSD menu.

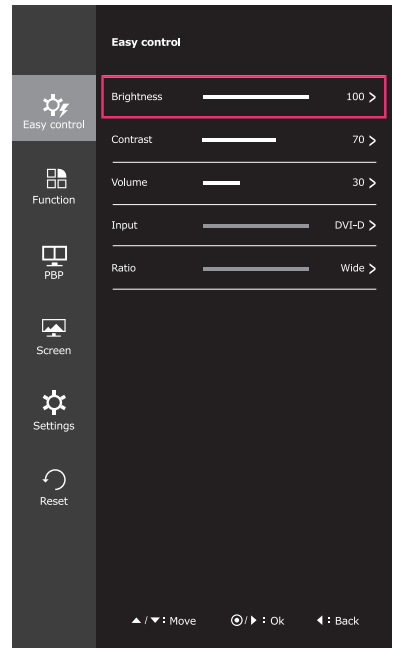
Button	Description	
⏻ Press the power button center.	If the menu is disabled	Enables the navigation OSD.
	If the menu is enabled	Close the navigation OSD. (Long press Monitor off, This turn off method can work in any condition. Even though OSD Off.)
	Power Indicator	When the monitor is in operating mode, the power indicator will turn on. (powered on). When the monitor is in power-saving mode, the power indicator will blinking.
⏪ Jog the power button left.	If the menu is disabled	Adjusts the volume level of the monitor.
	If the menu is enabled	Enter to Menu OSD. In no sync mode, enter Input change OSD.
⏩ Jog the power button right.	If the menu is disabled	Adjusts the volume level of the monitor.
	If the menu is enabled	Enter to PBP OSD.
⏴ Jog the power button up.	If the menu is disabled	Enables the navigation OSD.
	If the menu is enabled	Enter to Reader OSD .
⏵ Jog the power button down.	If the menu is disabled	Enables the navigation OSD.
	If the menu is enabled	Turn the Minitor off.

Customizing settings

Menu Settings

-Easy control

- 1 To view the navigation OSD, press the Power button center (⏻).
- 2 Jog Power button left (⏻) to go to **Menu** OSD .
- 3 Press Power button center (⏻) or Jog Power button right (⏻) to select **Easy control**.
- 4 Set the options follow up the instruction appear on right bottom of the screen.
- 5 To return to the upper menu or set other menu items, Jog the Power left(⏻) .



Each option is described below.

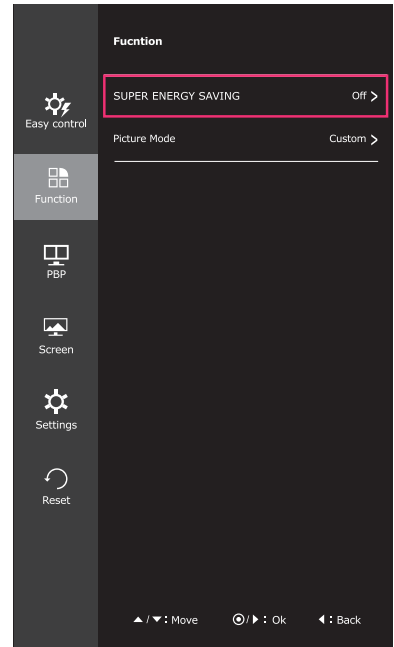
Menu > Easy control	Description	
Brightness	Adjusts the color contrast and brightness of the screen.	
Contrast		
Volume	Adjusts the volume.	
	<div style="border: 1px solid black; padding: 5px;"> <p>NOTE</p> <ul style="list-style-type: none"> • Jog Power button down (⏻) in the Volume menu will enable/disable the Mute function. </div>	
Input	Selects the current input mode.	
Ratio	Adjusts the screen ratio.	
	Wide	Displays the video in wide-screen, regardless of the video signal input.
	Original	Displays a video according to the input video signal aspect ratio.
	Cinema 1	Enlarges the screen with an aspect ratio of 21:9. (at 1080p)
	Cinema 2	Enlarges the screen with an aspect ratio of 21:9 including the black box area at the bottom for subtitles. (at 1080p)
	1:1	The aspect ratio is not adjusted from the original.

NOTE

- The display may look the same for Wide, Original and 1:1 options at the recommended resolution (2560 x 1080).
- The ratio is disabled in the interlaced signal.

-Function

- 1 To view the navigation OSD, press the Power button center (⏻).
- 2 Jog Power button left (⏪) to go to **Menu OSD**.
- 3 Jog the power button up (⏶) or down (⏷) to go to **Function**.
- 4 Press Power button center (⏻) or Jog Power button right (⏩) to select **Function**.
- 5 Set the options follow up the instruction appear on right bottom of the screen.
- 6 To return to the upper menu or set other menu items, Jog the Power left (⏪).

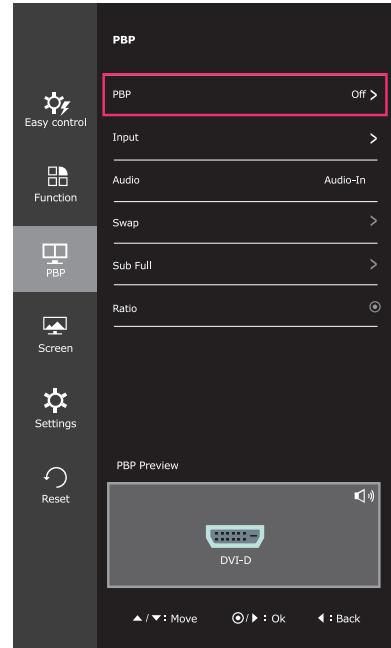


Each option is described below.

Menu > Func.	Description	
SUPER ENERGY SAVING	High	Saves energy by using the high-efficiency SUPER ENERGY SAVING function.
	Low	Saves energy by using the low-efficiency SUPER ENERGY SAVING function.
	Off	Disables the SUPER ENERGY SAVING function.
Picture Mode	Custom	Allows the user to adjust each element. The color mode of the main menu can be adjusted.
	Photo	Optimizes the screen to view photos.
	Cinema	Optimizes the screen to improve the visual effects of a video.
	Game	Optimizes the screen for gameplay.

-PBP

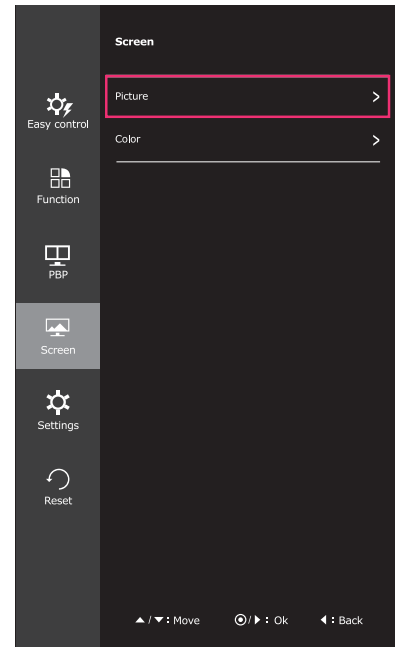
- 1 To view the navigation OSD, press the Power button center (⏻).
- 2 Jog Power button left (←⏻) to go to **Menu OSD**.
- 3 Jog the power button up (⏻↑) or down (⏻↓) to go to **PBP**.
- 4 Press Power button center (⏻) or Jog Power button right (⏻→) to select **PBP**.
- 5 Set the options follow up the instruction appear on right bottom of the screen.
- 6 To return to the upper menu or set other menu items, Jog the Power left (←⏻).



Menu > PBP	Description		
PBP	Displays the screens of two input modes on one monitor.		
Input	Main	Displays the video in wide-screen, regardless of the video signal input.	
	Sub	Displays a video according to the input video signal aspect ratio.	
Audio	Changes the audio output in PBP mode.		
Swap	Toggles between the main screen and sub screen in PBP mode.		
Sub Full	Converts the sub screen of PBP mode to the wide screen.		
Ratio	Adjusts the aspect ratio of the main screen or sub screen.		
	Main	Wide	Displays the video to fit the Main screen, regardless of the video signal input.
		Original	Displays the video in the input video signal aspect ratio on the Main screen.
	Sub	Wide	Displays the video to fit the Sub screen, regardless of the video signal input.
Original		Displays the video in the input video signal aspect ratio on the Sub screen.	

-Screen

- 1 To view the navigation OSD, press the Power button center (⏻).
- 2 Jog Power button left (⏪) to go to **Menu** OSD.
- 3 Jog the power button up (⏶) or down (⏷) to go to **Screen**.
- 4 Press Power button center (⏻) or Jog Power button right (⏩) to select **Screen**.
- 5 Set the options follow up the instruction appear on right bottom of the screen.
- 6 To return to the upper menu or set other menu items, Jog the Power left (⏪).

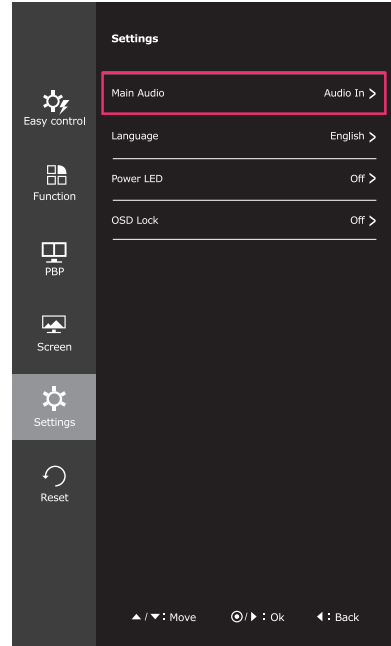


Each option is described below.

Menu > Screen		Description	
Picture	Sharpness	Adjusts the sharpness of the screen.	
	Black Level	Sets the offset level (for HDMI only). • Offset: as a reference for a video signal, this is the darkest color the monitor can display.	
		High	The picture of the screen gets brighter.
		Low	The picture of the screen gets darker.
	Response Time	Sets a response time for displayed pictures based on the speed of the screen. For a normal environment, it is recommended that you use Normal. For a fast-moving picture, it is recommended that you use High. Setting to High may cause image sticking.	
		High	Sets the response time to High.
		Middle	Sets the response time to Middle.
		Low	Sets the response time to Low.
Off		Sets the response time to Off.	
Color	Gamma	Custom gamma setting: When using the gamma 0, gamma 1, and gamma 2 monitor settings, higher gamma settings mean a brighter image is displayed and vice versa.	
	Color Temp	Custom	You can customize the picture color using Red, Green, and Blue colors.
		Selects the factory default picture color. Warm: Sets the screen color to a reddish tone. Medium: Sets the screen color between a red and blue tone. Cool: Sets the screen color to a bluish tone.	
		Six Color	Meets the user requirements for colors through adjusting the color and saturation of the six colors (red_Hue, red_Saturation, green_Hue, green_Saturation, blue_Hue, blue_Saturation, cyan_Hue, cyan_Saturation, magenta_Hue, magenta_Saturation, yellow_Hue, yellow_Saturation) and saving the settings. *Hue: Adjusts tone of the screen. *Saturation: Adjusts the saturation of the screen colors. The lower the value, less saturated and bright the colors become. The higher the value, the more saturated and dark the colors become. *Reset: Returns the color settings to the default settings.
	Reset	Returns the color settings to the default settings.	

-Settings

- 1 To view the navigation OSD, press the Power button center (⏻).
- 2 Jog Power button left (⏪) to go to **Menu** OSD .
- 3 Jog the power button up (⏶) or down (⏷) to go to **Settings**.
- 4 Press Power button center (⏻) or Jog Power button right (⏩) to select **Settings**.
- 5 Set the options follow up the instruction appear on right bottom of the screen.
- 6 To return to the upper menu or set other menu items, Jog the Power left(⏪) .

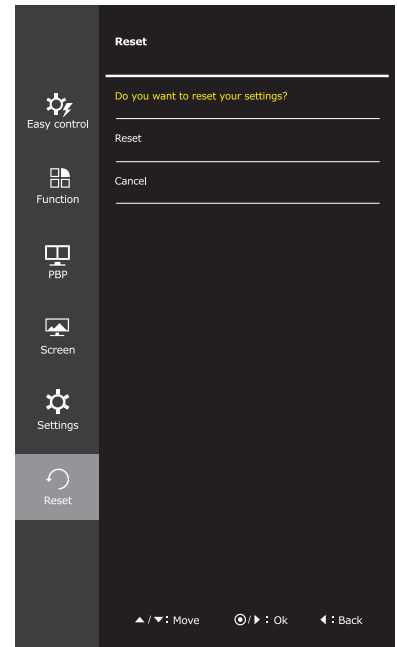


Each option is described below.

Menu > Settings	Description
Main Audio	Main audio have four options.HDMI1, HDMI2, DP, Audio-In. If user select Audio-in, then sound comes from stereo cable source.
Language	Sets the menu screen to the desired language.
Power LED	Turns the power indicator on the front side of the monitor on/off.
	On The power indicator is automatically turned on.
	Off The power indicator is turned off.
OSD Lock	Prevents incorrect key input.
	On Key input is disabled.
	<div style="border: 1px solid black; padding: 5px;"> <p>NOTE —</p> <p>All functions except for the OSD Lock mode and the Exit button for Brightness, Contrast, Volume, Input, and Settings are disabled.</p> </div>
	Off Key input is enabled.

-Reset

- 1 To view the navigation OSD, press the Power button center (⏻).
- 2 Jog Power button left (⏪) to go to **Menu** OSD .
- 3 Jog the power button up(⏶) or down(⏷) to go to **Reset**.
- 4 Press Power button center (⏻) or Jog Power button right (⏩) to select **Reset**.
- 5 Set the options follow up the instruction appear on right bottom of the screen.
- 6 To return to the upper menu or set other menu items, Jog the Power left(⏪).

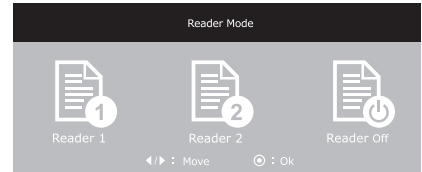


Each option is described below.

Menu > Reset	Description
Do you want to reset your settings?	
Reset	Returns to the default settings.
Cancel	Cancel the select.

Reader Settings

- 1 To view the navigation OSD, press the Power button center (⏻).
- 2 Jog Power button up (⏻) to go to **Reader** OSD.
- 3 Set the options follow up the instruction appear on bottom of the screen.



Each option is described below.

Reader Mode	Description
Reader 1	It is a mode that the screen is adjusted to the best for the newspaper. If you want screen more bright, you can control brightness in Menu OSD.
Reader 2	It is a mode that the screen is adjusted to the best for the cartoon. If you want screen more bright, you can control brightness in Menu OSD.
Reader Off	It is a mode that reader mode is off.

TROUBLESHOOTING

Nothing is displayed on the screen.	
Is the monitor's power cord plugged in?	• Check if the power cord is correctly plugged in to the power outlet.
Is the power indicator on?	• Check the power cable connection and press the power button.
Is the power indicator displaying ?	• Check that the connected input is enabled (Menu - Input).
Is the power indicator blinking?	• If the monitor is in power-saving mode, move the mouse or press any key on the keyboard to switch the display on. • Check if the computer is turned on.
Is the "OUT OF RANGE" message displayed?	• This occurs when signals transferred from the PC (video card) are out of the horizontal or vertical frequency range of the monitor. Please see the "Product Specification" section of this manual to set the appropriate frequency.
Is the "CHECK SIGNAL CONNECTION" message is displayed?	• This is displayed when the signal cable between the PC and the monitor is missing or disconnected. Check the cable and reconnect.

The screen retains an image.	
Does image sticking occur even when the monitor is turned off?	• Displaying a still image for a prolonged time may cause damage to the screen, resulting in the retention of the image. • Use a screen saver to protect the screen when using the monitor for a prolonged period of time.

The screen is flickering.	
Did you select the recommended resolution?	• If the selected resolution is HDMI 1080i 60/50 Hz, the screen may be flickering. Change the resolution to the recommended resolution 1080P.

NOTE

- **Vertical Frequency:** In order to display an image, the screen must be refreshed dozens of times per second like a fluorescent lamp.
The number of times the screen is refreshed per second is called vertical frequency or refresh rate and is represented by Hz.
- **Horizontal Frequency:** The time it takes to display one horizontal line is called the horizontal cycle.
The number of horizontal lines displayed in one second can be calculated by dividing one by the horizontal cycle. This is called horizontal frequency and is represented by kHz.

! NOTE

- Check if the video card's resolution or frequency is within the range allowed by the monitor and set to the recommended (optimal) resolution in **Control Panel > Display > Settings**.
- Failing to set the video card to the recommended (optimal) resolution may result in blurred text, a dimmed screen, a truncated display area or misalignment of the display.
- The configuration procedure may differ depending on your computer and/or operating system. Also, some video cards may not support certain resolutions. If this is the case, contact the manufacturer of the computer or video card for assistance.
- Some video cards may not support the 2560x1080 resolution.
If the resolution cannot be displayed, contact the manufacturer of your video card.

The display color is abnormal.

Does the display appear discolored (16 color)?	<ul style="list-style-type: none"> • Set the color to 24 bit (true color) or higher. In Windows, go to Control Panel > Display > Settings > Color Quality.
Does the display color appear unstable or in monochrome?	<ul style="list-style-type: none"> • Check if the signal cable is connected properly. Reconnect the cable or reinsert the PC's video card.
Are there spots on the screen?	<ul style="list-style-type: none"> • When using the monitor, pixilated spots (red, green, blue, white or black) may appear on the screen. This is normal for the LCD screen. It is not an error nor is it related to the monitor's performance.

SPECIFICATIONS

29UM65

29UB65

LCD Screen	Type	73.025 cm TFT (Thin Film Transistor) LCD (Liquid Crystal Display) Screen Diagonal length of the screen: 73.025 cm
	Pixel Pitch	0.0876 mm x 0.2628 mm
Resolution	Maximum Resolution	2560 x 1080 @ 60 Hz
	Recommended Resolution	2560 x 1080 @ 60 Hz
Video Signal	Horizontal Frequency	30 kHz to 90 kHz
	Vertical Frequency	DVI/DP:50 Hz to 75 Hz HDMI: 25 Hz to 60 Hz
	Synchronization	Separate Sync.
Input Connector	DVI-D IN, HDMI IN1, HDMI IN2 , DisplayPort, Audio In(PC), H/P	
Power	Voltage	19 V --- 2.4 A
	Power consumption (Typ.)	On mode: 31 W (ENERGY STAR® standard)* Power Saving Mode ≤ 0.5 W Off Mode ≤ 0.5 W
AC/DC adaptor	DA-48F19 type, Asian Power Devices Inc. production, Or LCAP35 type, LIEN CHANG ELECTRONIC ENTERPRISE production. Output: 19 V --- 2.53 A	
Environmental Conditions	Operating Condition	Temperature: 10°C to 35°C; Humidity: 10% to 80%
	Storing Condition	Temperature: -20°C to 60°C; Humidity: 5% to 90%
Speaker Wattage	7 W + 7 W	

29UM65

Stand Angle Adjustment	Forwards/Backwards: -5° to 20° (Head)	
Dimension	Monitor Size (Width x Height x Depth)	
	With Stand	703.0 mm x 418.0 mm x 181.0 mm
	Without Stand	703.0 mm x 328.0 mm x 64.0 mm
Weight (Without Packaging)	6.2 kg	

29UB65

Stand Angle Adjustment	Forwards/Backwards: -5° to 15° (Head)	
Dimension	Monitor Size (Width x Height x Depth)	
	With Stand	703.0 mm x 425.0 mm x 225.0 mm
	Without Stand	703.0 mm x 418.0 mm x 124.0 mm
Weight (Without Packaging)	6.8 kg	

The specifications are subject to change without notice.

* The power consumption level can be different by operating condition and monitor setting.

* The On mode power consumption is measured with ENERGY STAR® test standard.

* ENERGY STAR® is a US registered mark of the United States Environmental Protection Agency.

Factory support mode (Preset Mode, DVI-D/HDMI/PC DisplayPort)

Preset Mode	Horizontal Frequency (kHz)	Vertical Frequency (Hz)	Polarity (H/V)	Remarks
720 x 400	31.468	70.08	-/+	
640 x 480	31.469	59.94	-/-	
640 x 480	37.5	75	-/-	
800 x 600	37.879	60.317	+/+	
800 x 600	46.875	75	+/+	
1024 x 768	48.363	60	-/-	
1024 x 768	60.123	75.029	+/+	
1152 x 864	67.5	75	+/+	
1280 x 720	45	60	+/+	
1280 x 1024	63.981	60.02	+/+	
1280 x 1024	79.976	75.025	+/+	
1600 x 900	60	60	+/+	
1680 x 1050	65.290	59.954	-/+	
1920 x 1080	67.5	60	+/-	
2560 x 1080	66.7	60	-/+	

HDMI Timing (Video)

Preset Mode	Horizontal Frequency (kHz)	Vertical Frequency (Hz)	Remarks
480P	31.50	60	
576P	31.25	50	
720P	37.50	50	
720P	45.00	60	
1080P	56.25	50	
1080P	67.50	60	

Power Indicator

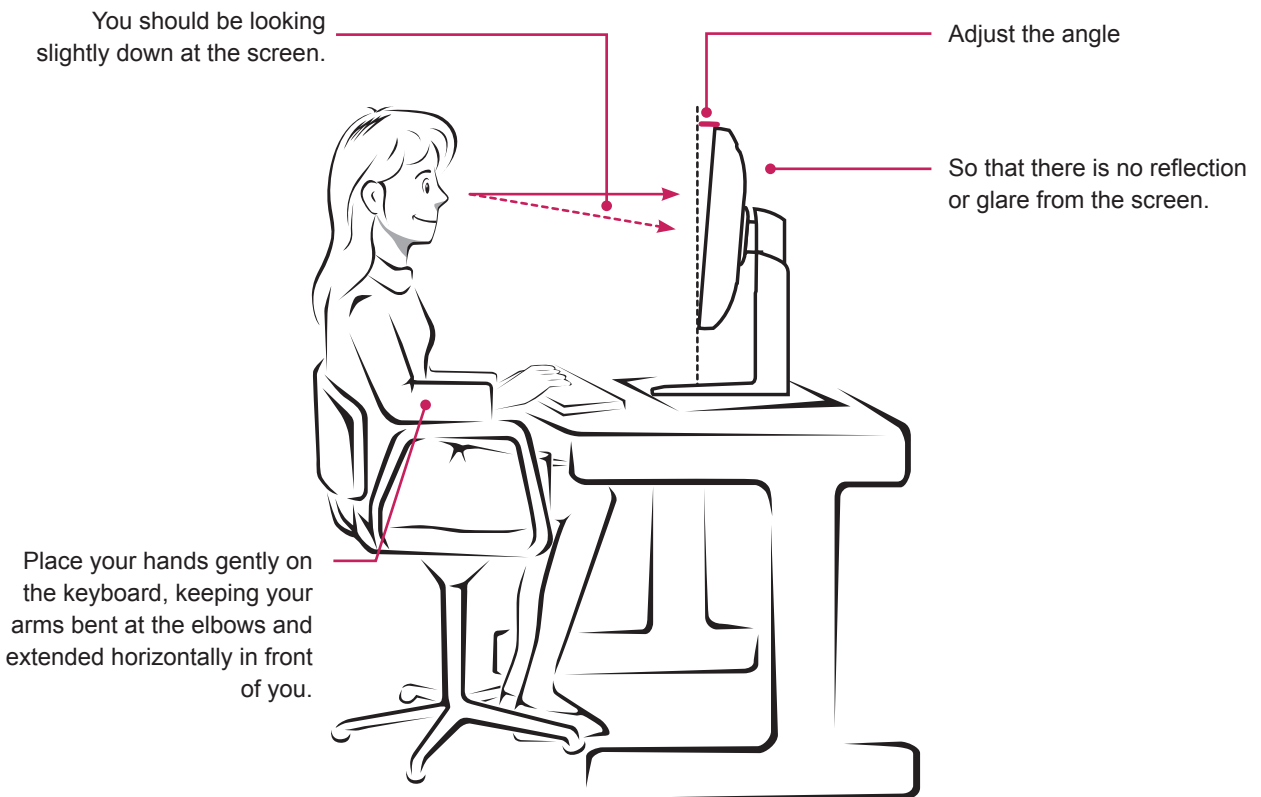
Mode	LED Color
On Mode	Light On
Power-saving	Blinking
Off Mode	Off

PROPER POSTURE

Proper Posture for Using the Monitor

Adjust the screen so that you can comfortably view at a slight downward angle from your natural eye level.

- Take a break for approximately ten minutes every hour to reduce any fatigue caused by long-time usage.
- The stand of the touch monitor allows the product to be used in the optimum position. Adjust the stand angle to obtain the best view of the screen.





Declaration of Conformity

Trade Name: LG

Model : 29UM65D,29UB65D

Responsible Party: LG Electronics Inc.

Address : 1000 Sylvan Ave. Englewood Cliffs

NJ 07632 U.S.A

TEL: 201-266-2534

*above information is only for USA FCC Regulatory

Make sure to read the Safety Precautions before using the product.

Keep the Owner's Manual(CD) in an accessible place for future reference.

The model and serial number of the SET is located on the back and one side of the SET. Record it below should you ever need service.

MODEL _____

SERIAL _____

ENERGY STAR is a set of power-saving guidelines issued by the U.S.Environmental Protection Agency (EPA).



As an ENERGY STAR Partner LGE USA, Inc. has determined that this product meets the ENERGY STAR guidelines for energy efficiency.

Free Manuals Download Website

<http://myh66.com>

<http://usermanuals.us>

<http://www.somanuals.com>

<http://www.4manuals.cc>

<http://www.manual-lib.com>

<http://www.404manual.com>

<http://www.luxmanual.com>

<http://aubethermostatmanual.com>

Golf course search by state

<http://golfingnear.com>

Email search by domain

<http://emailbydomain.com>

Auto manuals search

<http://auto.somanuals.com>

TV manuals search

<http://tv.somanuals.com>