

Easy Setup Guide Specification

담당	관리자	
MK PARK 12.06.15	H.J LEE 12.06.15	JO KIM 12.06.15

1. Model Description

MODEL	47WV30MS/47WV30BR/ 47WV30BS/47WV30- BAAM/ 47WV30-BAAL	BRAND	LG	Part No.	MFL67559901 (1207-REV01)
SUFFIX	World Wide	Product Name	Signage		

2. Printing Specification

1. Trim Size (Format) : 172 mm x 243 mm
2. Printing Colors
Cover : 1 COLOR (BLACK)
Inside : 1 COLOR (BLACK)
3. Stock (Paper)
Cover : Coated paper, Snow White 150 g/㎡
Inside : Uncoated paper, 백상지 60 g/㎡
4. Printing Method : Off-set
5. Bindery : Perfect bind
6. Language : English/Czech/Spanish/French/German/Greek/Italian/Polish/Slovak/Portuguese (10)
7. Number of pages : 280 pages

NOTES

- * This part contain Eco-hazardous substances (Pb, Cd, Hg, Cr6+, PBB, PBDE, etc.) within LG standard level, Details should be followed Eco-SCM management standard[LG(56)-A-2524]. Especially, Part should be followed and controlled the following specification.
- (1) Eco-hazardous substances test report should be submitted when Part certification test and First Mass Production.
 - (2) Especially, Don't use or contain lead(Pb) and cadmium(Cd) in ink.

3. Special Instructions

(1) Origin Notification

- | | | |
|--------------------------------|-----------------------------|-----------------------------|
| * LGEIN : Printed in Indonesia | * LGEWA : Printed in U.K | * LGEMA : Printed in Poland |
| * LGESP : Printed in Brazil | * LGEMX : Printed in Mexico | |
| * LGEND : Printed in China | * LGEIL : Printed in India | |

4. Changes

△8				
△7				
△6				
△5				
△4				
△3				
△2				
△1	Jul./03/12	MK.Park	EKMC700023	Modify the Polish language.
REV. NO.	MM/DD/YY	SIGNATURE	CHANGE NO.	CHANGE CONTENTS

Pagination sheet

Total pages : 280 pages

Front cover

English		2	3	27	
ČESKY		2	3	27	
ESPAÑOL		2	3	27	
FRANÇAIS		2	3	27	
DEUTSCH		2	3	27	
ΕΛΛΗΝΙΚΑ		2	3	27	
ITALIANO		2	3	27	
POLSKI		2	3	27	
SLOVENČINA		2	3	27	
PORTUGUÊS		2	3	27	

Back cover



ENGLISH

Easy Setup Guide

MONITOR SIGNAGE

Please read this manual carefully before operating your set and retain it for future reference.

MONITOR SIGNAGE MODELS

47WV30MS

47WV30BR

47WV30BS

47WV30-BAAM

47WV30-BAAL

P/NO : MFL67559901(1207-REV01)
Printed in Korea

www.lg.com

ENGLISH

PRECAUTION

Precaution in movement



Adhere to the warning signs printed on the Box.



Do not Clamp.



Do not drop from stacking.



Do not drop from clamping.



4 Persons needed for transport



2 Persons needed for transport



Do not transport horizontally.

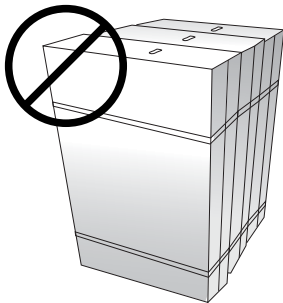


Load with care.

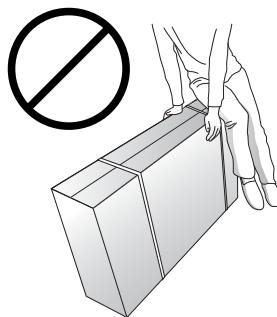
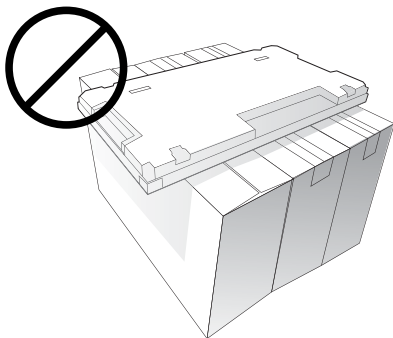


Do not drop from carrying.

Don't tumble the Set box sideward down.

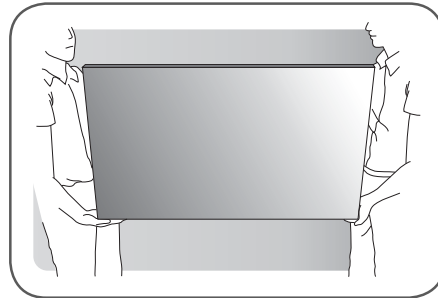
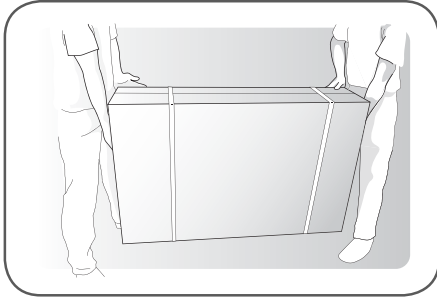


Don't lie on or lean on the Set box.



Precaution in Handling

Move the Set as a team of 2 persons. When you move the bare Set, please use one hand on grabbing the handle and the other support under the Set.



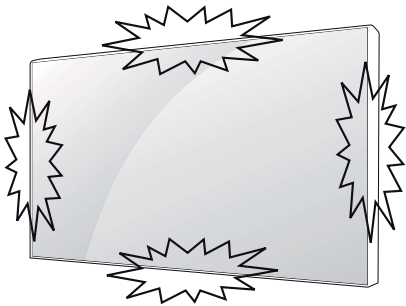
ENGLISH

 CAUTION



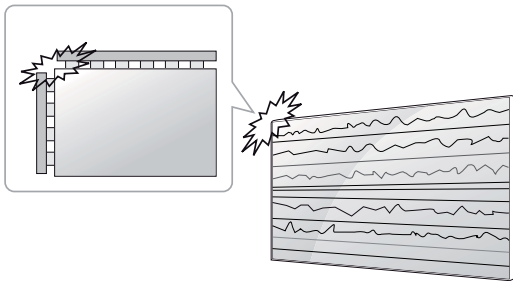
- This way up/ Fragile/ Keep away from rain/ Stacking limit 4.

Causes & Phenomena of the Line Defect



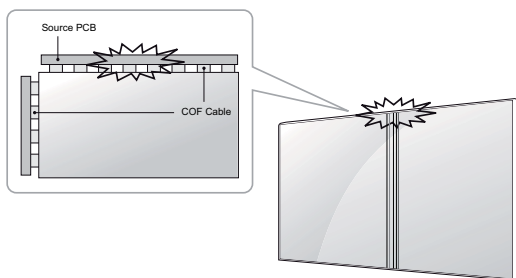
The line defect would occur on your Set if you strike on the edge of the Set.

LOG (LINE ON GLASS) DEFECT

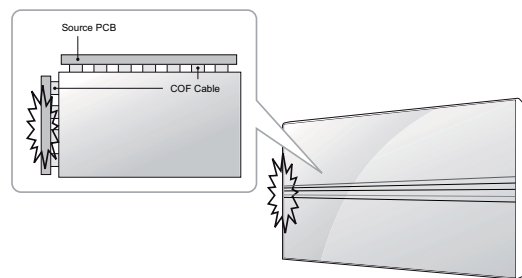


Shock on Module Left/Top Corner → Left/Top LOG Crack → Horizontal Line Defect

LOG (LINE ON GLASS) DEFECT

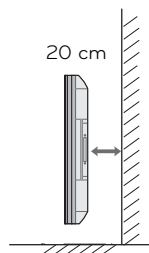
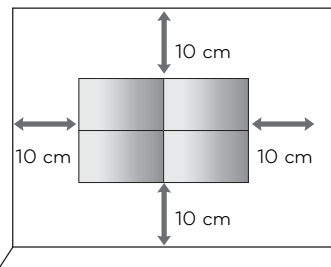
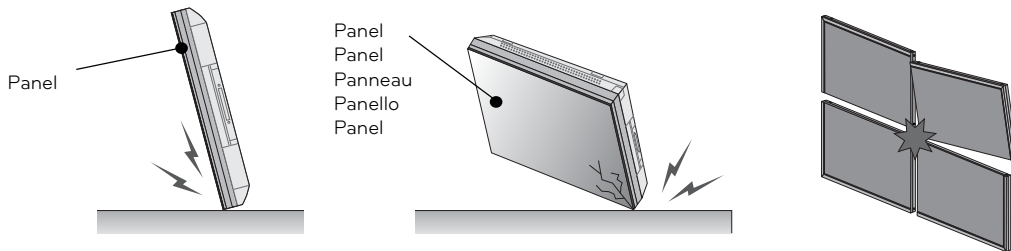


Shock on Module Top Side → Top COF Crack → Vertical Line Defect



Shock on Module Left Side → Left COF Crack → Horizontal Line Defect

 CAUTION

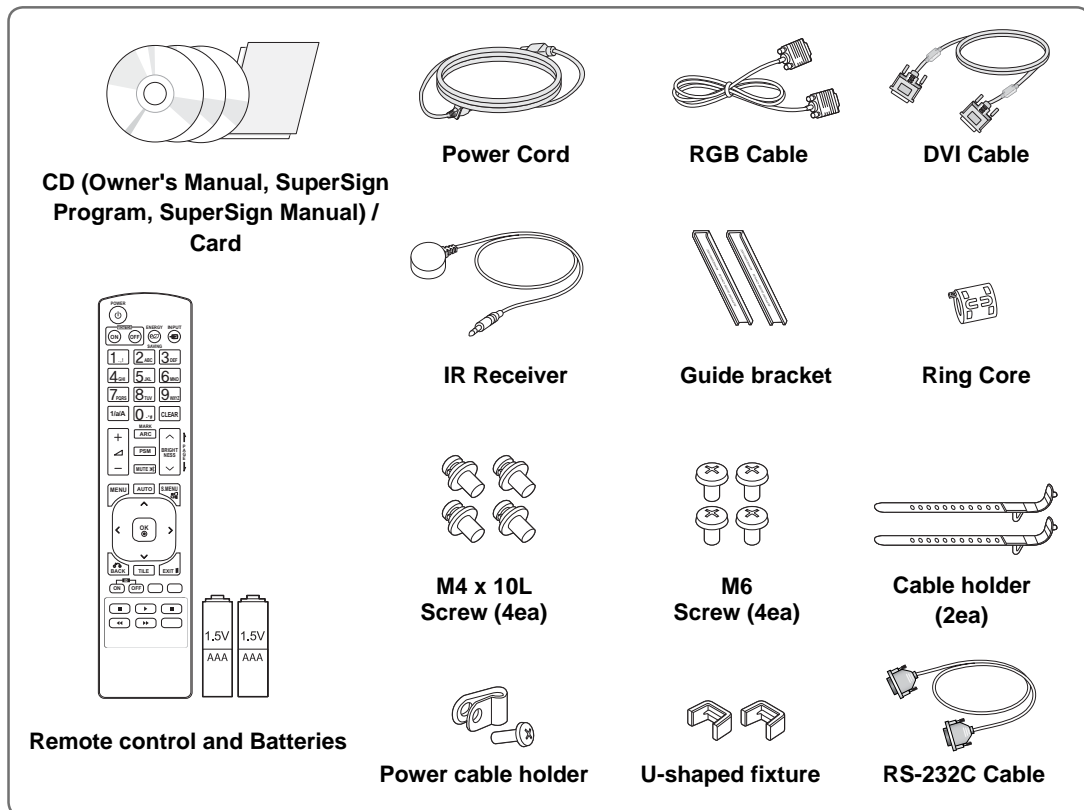


- Be careful not to collide the sets with the floor or with each other. Install in the space with enough airflow.

ASSEMBLING AND PREPARING

Unpacking

Check your product box for the following items. If there are any missing accessories, contact the local dealer where you purchased your product. The illustrations in this manual may differ from the actual product and accessories.



! CAUTION

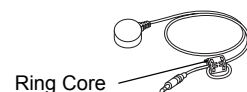
- Do not use any pirated items to ensure the safety and product life span.
- Any damages or injuries by using pirated items are not covered by the warranty.

! NOTE

- The accessories supplied with your product may vary depending on the model.
- Product specifications or contents in this manual may be changed without prior notice due to upgrade of product functions.

• How to Use a Ring Core

A ring core reduces electromagnetic waves emitted from the IR receiver. Loop the cable through the core once, before using it as illustrated.



Dimensions (Width x Height x Depth) / Weight



1047 mm x 592 mm x 91.1 mm / 29 kg

ENGLISH

To view the User's guide

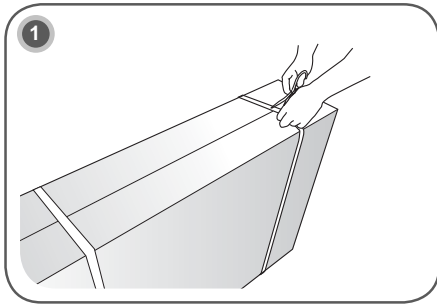
“Insert CD ROM” in Computer

CD-ROM will open automatically.(for Window only)

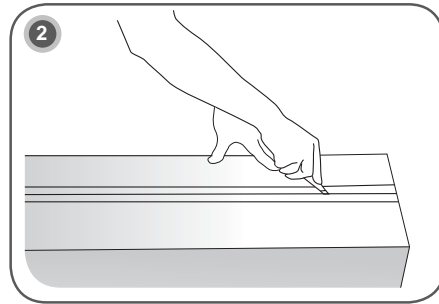
My computer → Digital_LG(CD-ROM) → Index.htm Open

My computer → Digital_LG(CD-ROM) → Manual folder → User's Guide Open

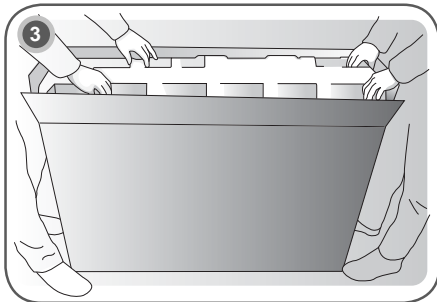
Installing the Product



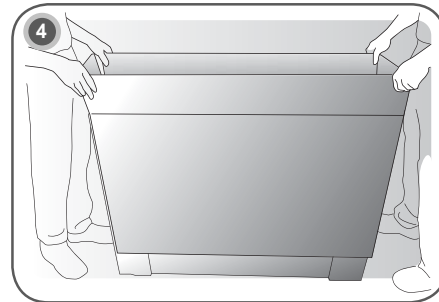
Cut Packing Strap of the Box.



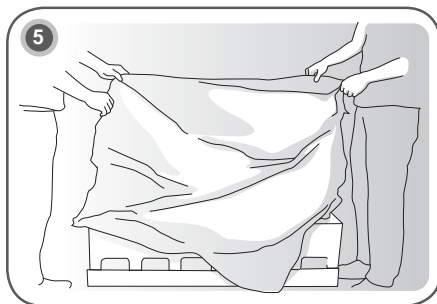
Cut Tape on the Box.



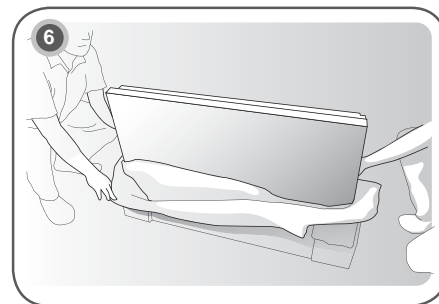
Open the Box and remove the top packing.



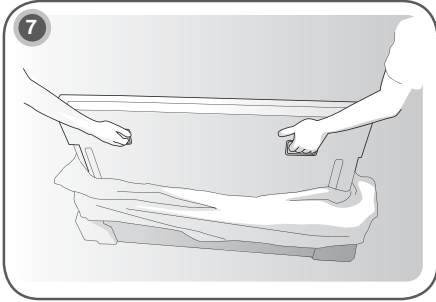
Remove the Upper Box.



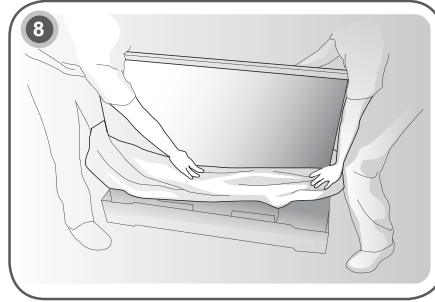
Open the Poly Bag.



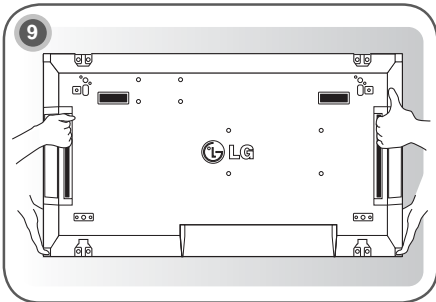
Undress the Poly Bag.



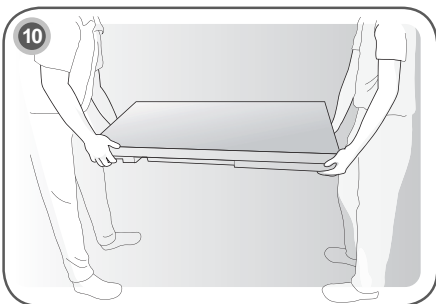
Lift up the Set using the SIDE/BACK Handle.



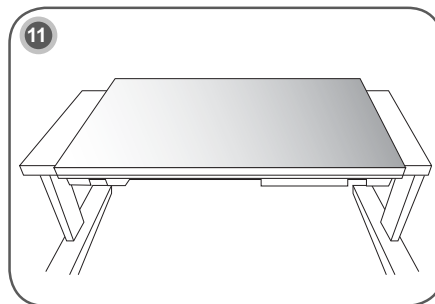
Remove Bottom packing when lifting up the Set.



With one hand under the set and the other hand grabbing the set, move the set.

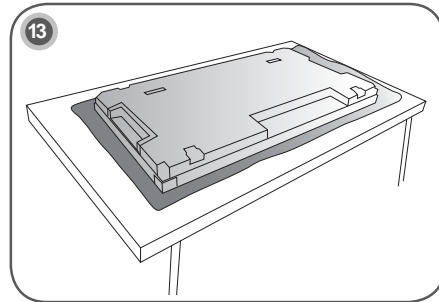
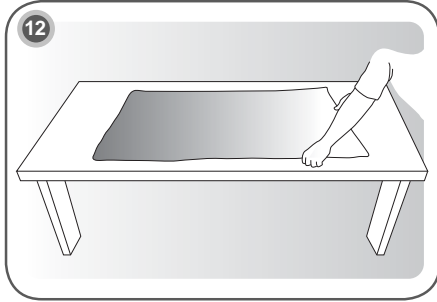


Lay the back of the Set down on the table.

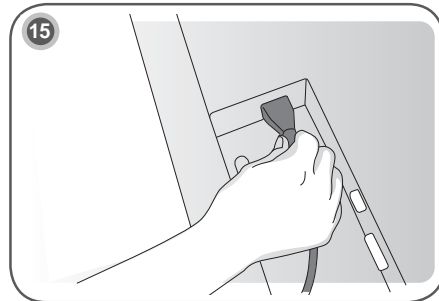
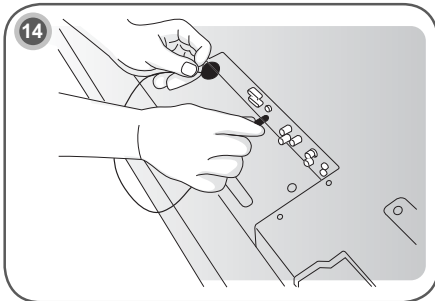


10 ASSEMBLING AND PREPARING

ENGLISH



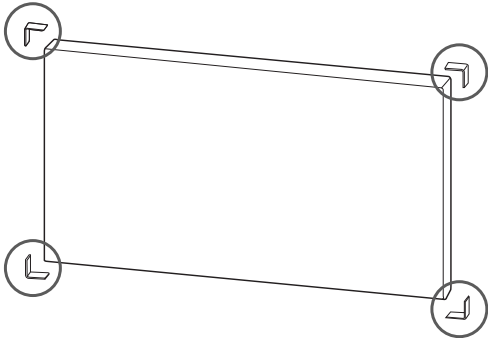
Use the cushion or Pad when you lay the face of the Set downward.



Connect IR receiver to use remote. And then, connect power code.

Remove L-brackets before Installation

Remove the L-brackets from each corner of the monitor before installing it.



NOTE

Keep the removed L-brackets and use them when moving the monitor later.

CAUTION

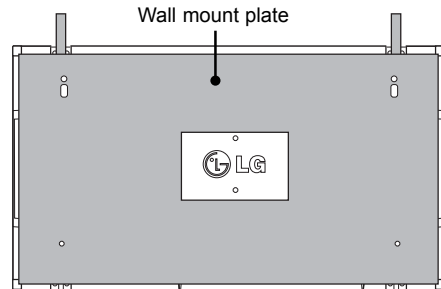
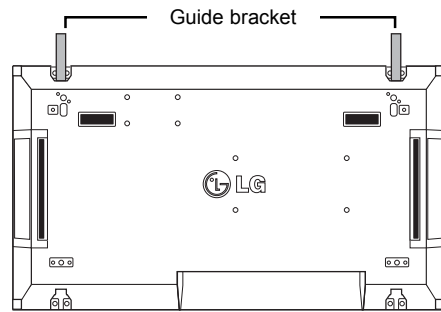
- When you connect Monitor sets for multivision, you may find that the screen color is not the same across all the Monitor sets. If you want to adjust the screen color manually, please refer to the Installation Manual.
- When you install multiple Monitor sets onto a wall, attach the IR Receiver to all the sets, or use an RS-232C cable to connect them and then attach the IR Receiver to the first set.

Tiling Displays

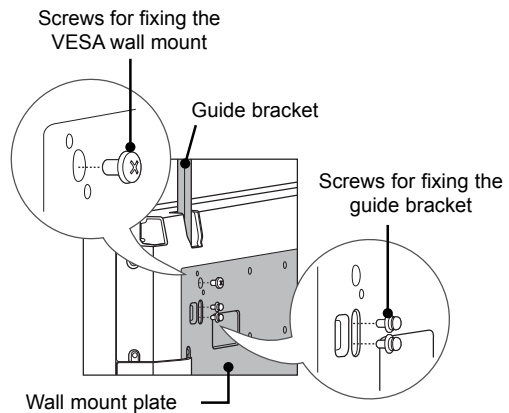
How to Join Sets - Installing Set 1

*Example of 2 x 2 tiling

- The numbers assigned in this example (#1, #2, #3, #4) are used to demonstrate the installation procedure to ensure it is easy to follow. These numbers have nothing to do with the Set ID that is used to operate the remote control.
- Set the guide bracket into the bracket groove using screws and mount the set to the wall mount plate or the wall.



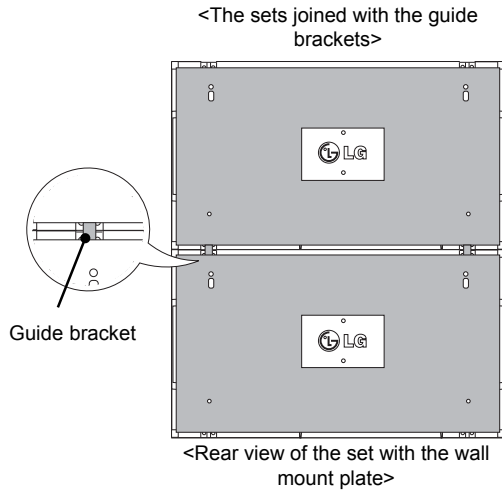
<Rear view of the set with the wall mount plate>



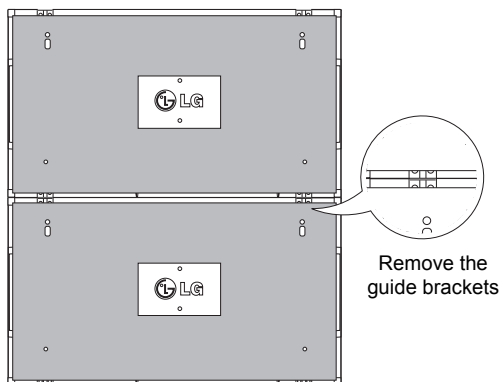
- The wall mount plate is shaded in gray in the illustration to help you see it.

How to Join Sets - Installing Set 2

- Join Set 2 to Set 1 using the guide brackets on the top side of Set 1 and mount the two sets to the wall mount plate or the wall.
- Remove the guide brackets after mounting the sets.

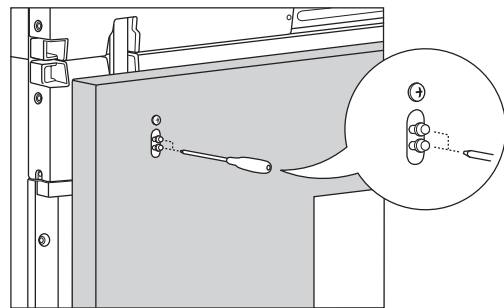


<The sets after removing the guide brackets>

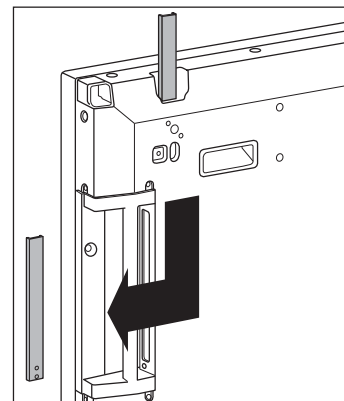


How to remove the guide brackets

- Unscrew the guide bracket screws from the rear of the set and remove the guide brackets.
- Once the screws are removed, the guide brackets will drop through the gap on the sides of the set.
- This can be done only when there is enough space between the set and the wall mount plate or the wall to unscrew the screws. (Please check whether there is enough space to remove the screws before fixing the guide brackets.)

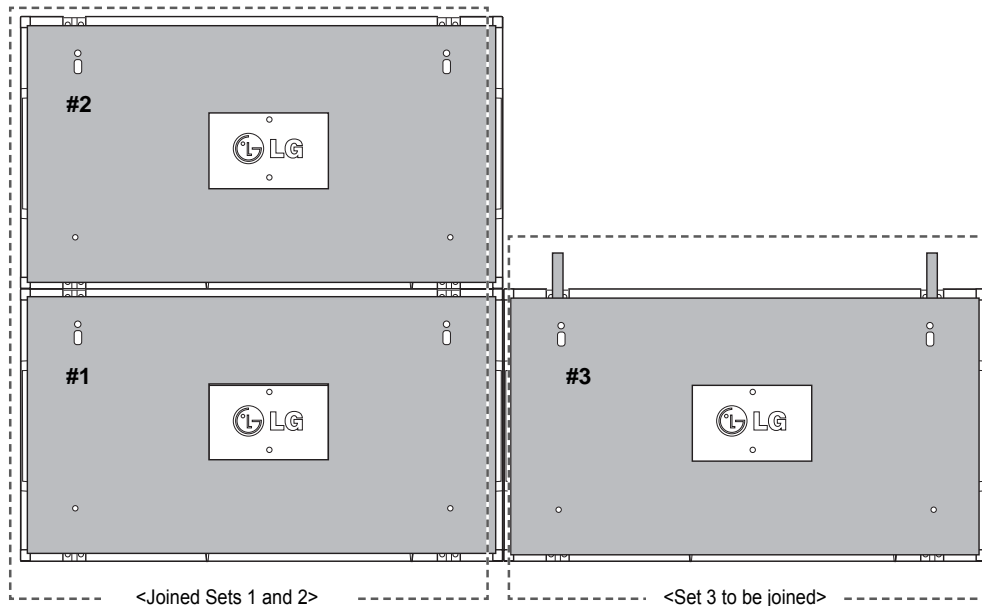


<Removing the guide bracket through the side gap>



How to Join Sets - Installing Set 3

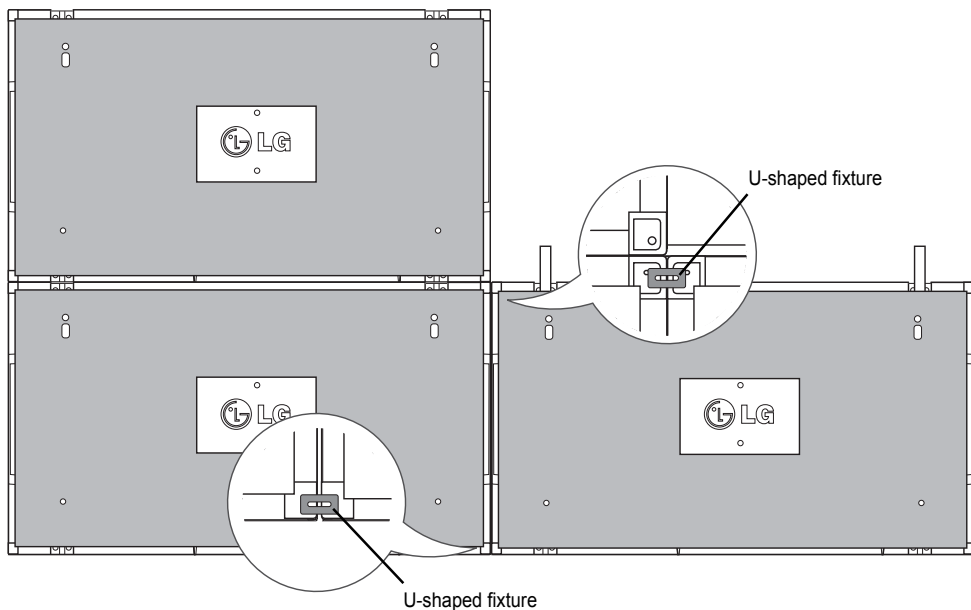
Fix the guide brackets to Set 3 following the steps above, and loosely mount the set to the wall mount plate or the wall.



Minimize the space between the sides of the sets using the U-shaped fixture.

When the sets are joined with the minimum amount of space between them, firmly mount them to the wall mount plate or the wall.

When the sets are firmly mounted to the wall, remove the U-shaped fixtures.



How to Join Sets - Installing Set 4

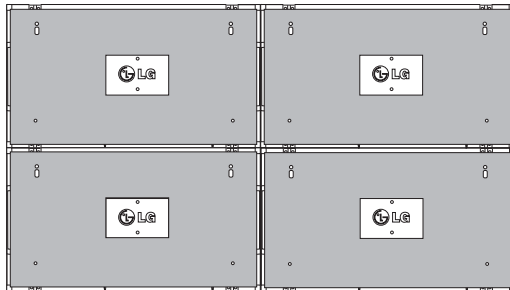
Loosely mount Set 4 to the wall mount plate or the wall and minimize the space between the sets using the U-shaped fixtures.

When Set 4 is firmly mounted to the wall, remove the U-shaped fixtures.

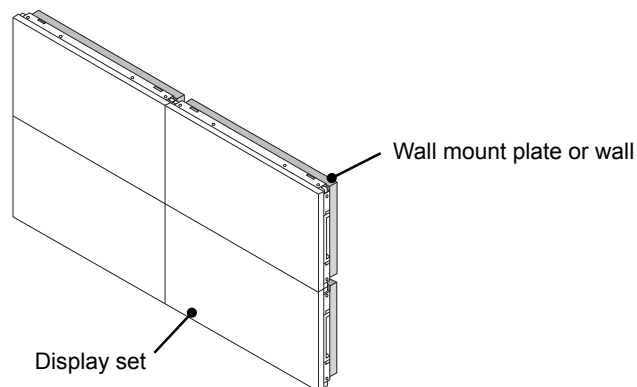
Remove the guide brackets. See <How to Join Sets - Installing Set2,3>.

Now the 2 x 2 tiling is complete.

You can tile in various combinations, such as 3 x 3.



Set 4 joined to the rest of the sets
(2 x 2 tiling)



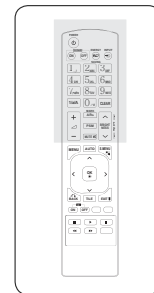
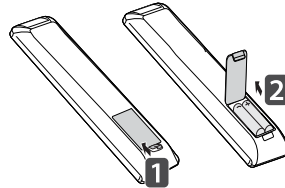
NOTE

- The guide brackets for tiling should only be used to join sets and should be removed once they are joined.
- The guide brackets should only be used as the assisting tool when tiling sets. The load applied to each set should be supported by the wall mount plate or the wall using a VESA wall mount (800 x 400).
- (Each set must be firmly mounted to the wall mount plate or the wall.)
- The guide brackets must be removed once the sets are joined. When joining the sets without removing the guide brackets, extra caution is required to prevent damage due to the set weight.
- The U-shaped fixtures must also be removed after mounting the set to the wall mount plate or the wall.
- You may mount the set without using the guide brackets or the U-shaped fixtures; this does not affect the performance of the device.

REMOTE CONTROL

The descriptions in this manual are based on the buttons of the remote control. Please read this manual carefully and use the Monitor set correctly.

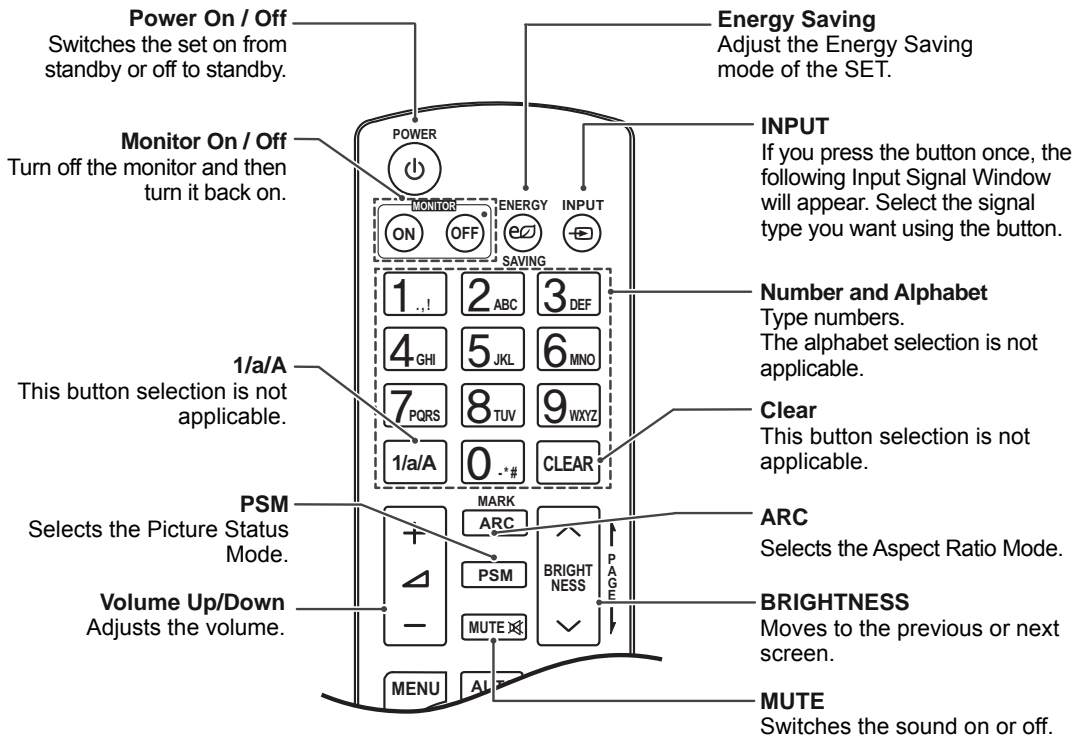
To replace batteries, open the battery cover, replace batteries (1.5 V AAA) matching ⊕ and ⊖ ends to the label inside the compartment, and close the battery cover. To remove the batteries, perform the installation actions in reverse.



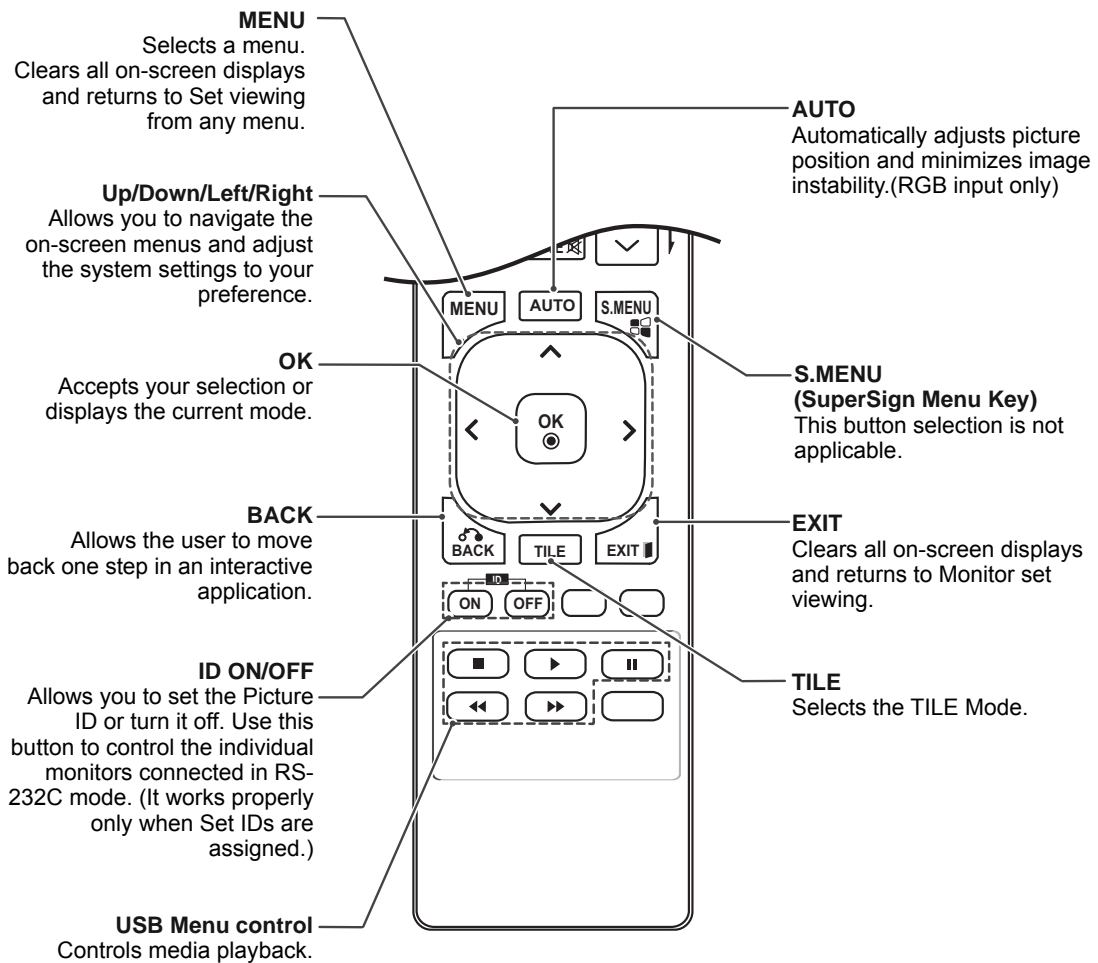
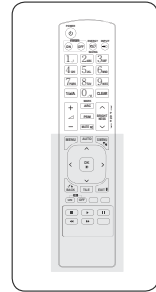
ENGLISH

CAUTION

- Do not mix old and new batteries, as this may damage the remote control.
- Make sure to point the remote control at the remote control sensor on the Monitor.



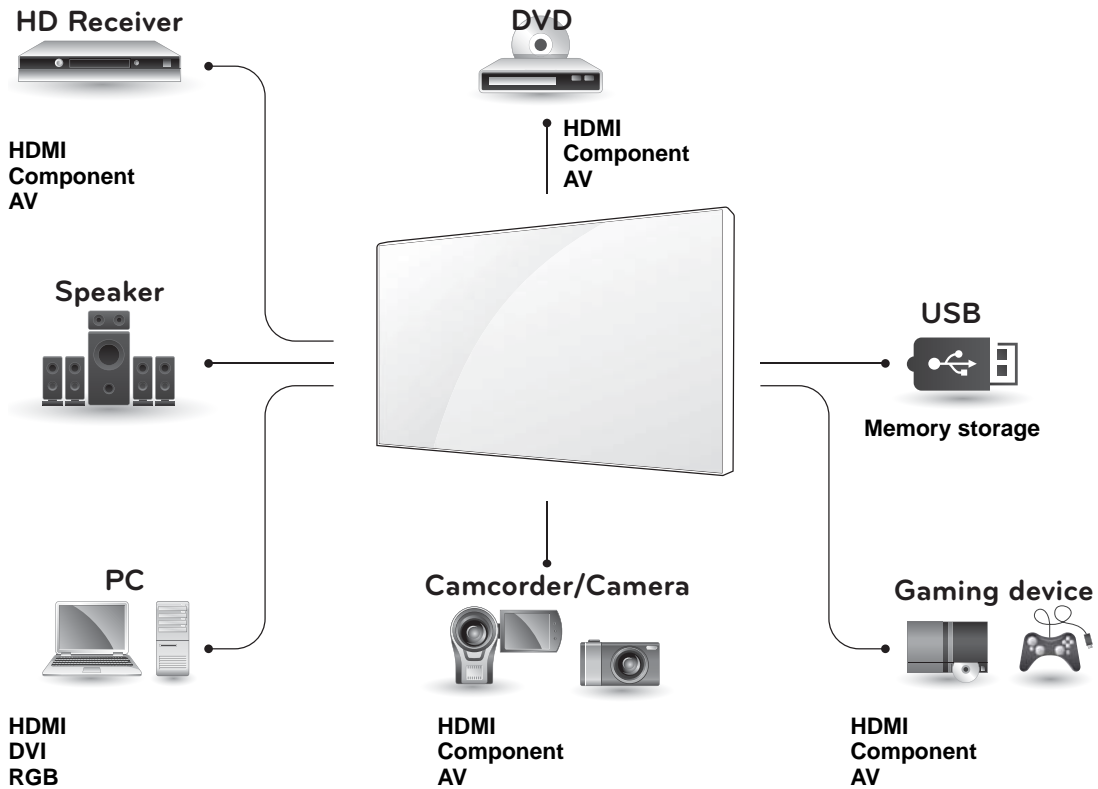
ENGLISH



MAKING CONNECTIONS

Connect various external devices to the ports on the Monitor set's back panel.

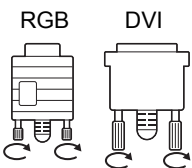
- 1 Find an external device you want to connect to your Monitor set shown on the following illustration.
- 2 Check the connection type of the external device.
- 3 Go to the appropriate illustration and check the connection details.



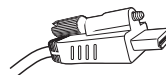
NOTE

- If you connect a gaming device to the Monitor set, use the cable supplied with the gaming device.
- AV(CVBS) can be supported only in 47WV30BR and 47WV30MS models.

NOTE



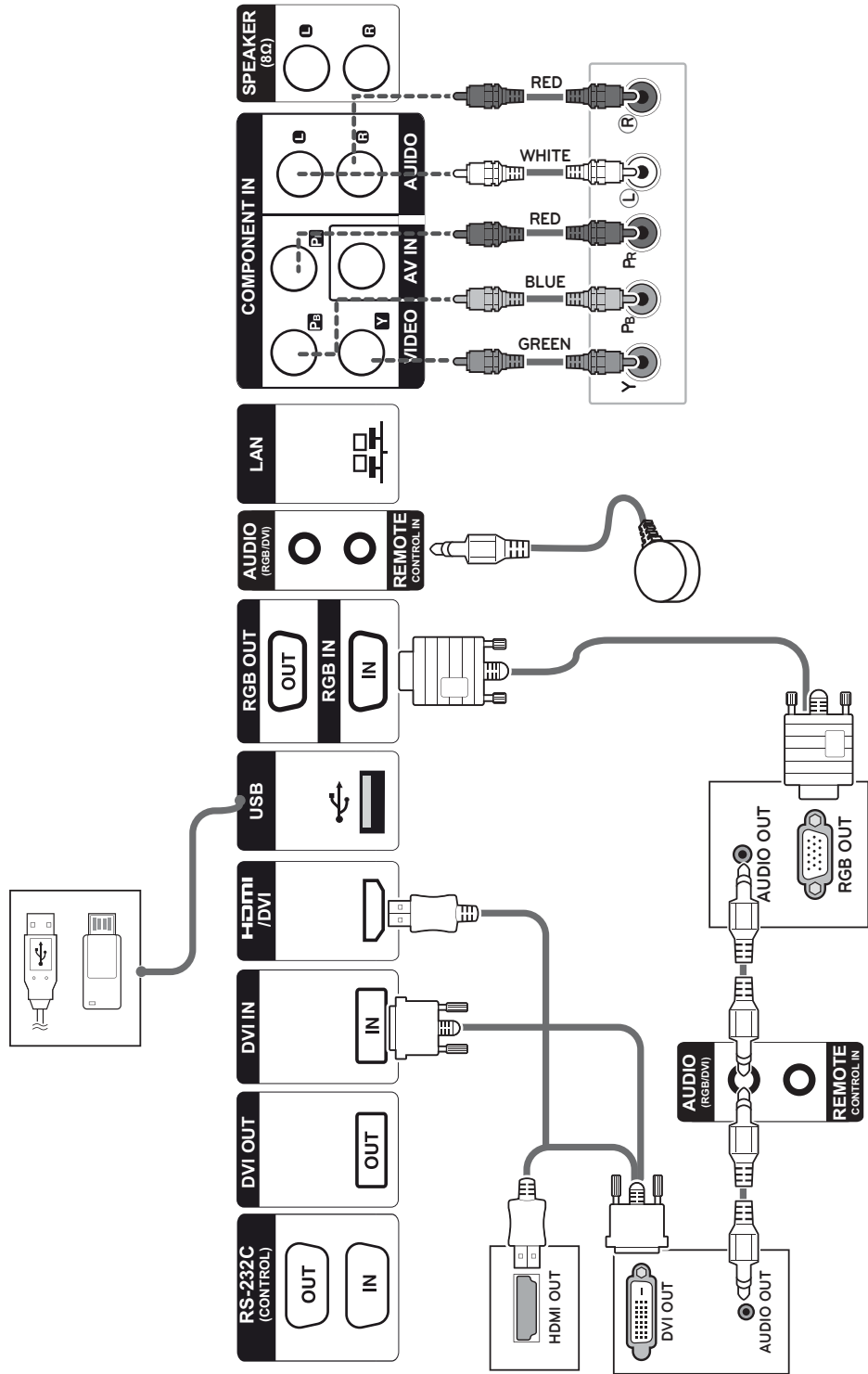
- Connect the signal input cable and tighten it by turning the screws clockwise.



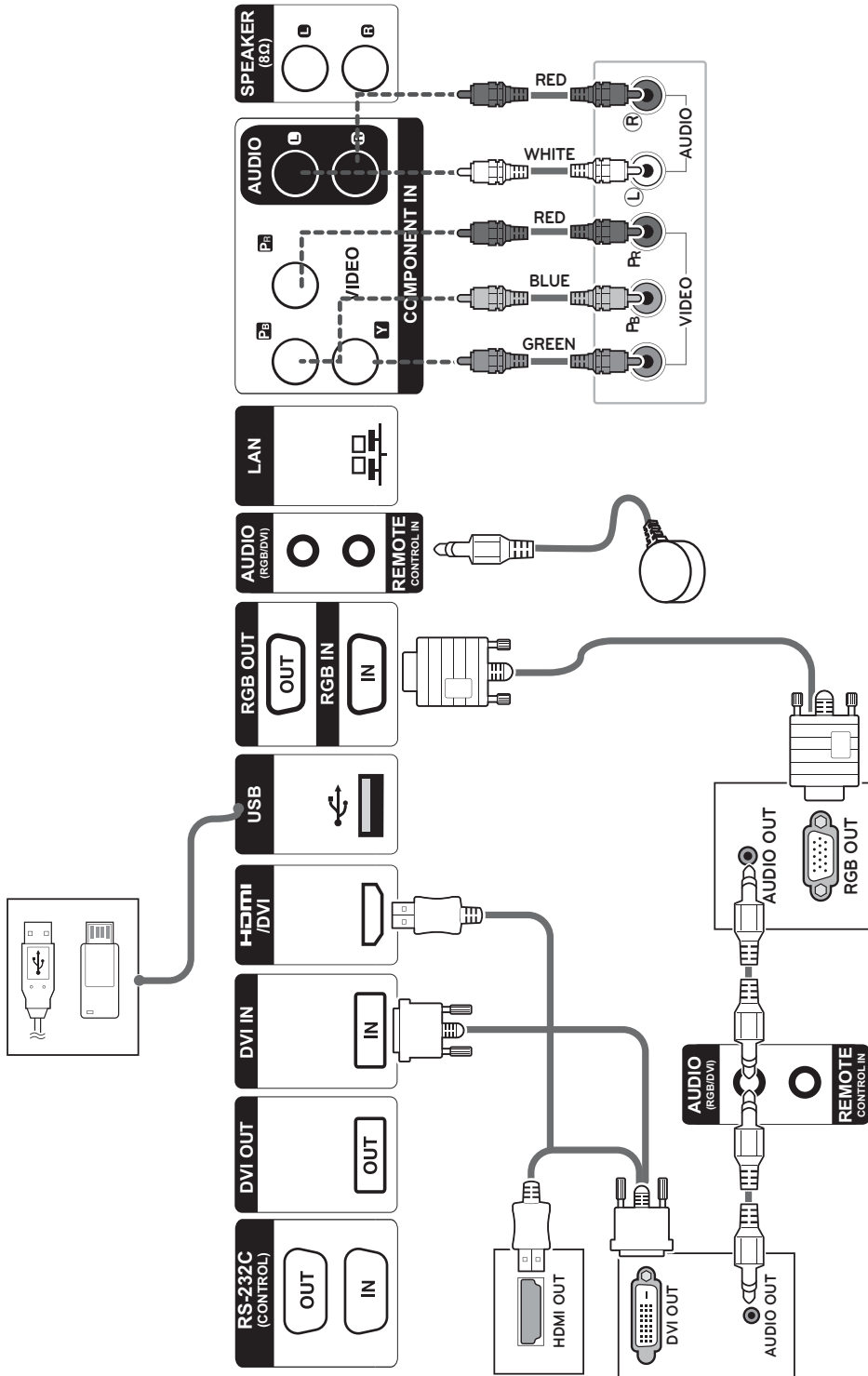
- When connecting an HDMI cable as illustrated, remove the screw on the HDMI connector first.

ENGLISH

< 47WV30MS/47WV30BR >

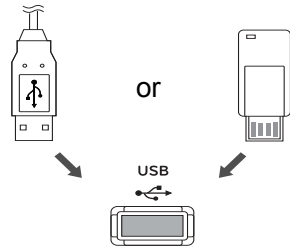


< 47WV30BS/47WV30-BAAM/47WV30-BAAL >

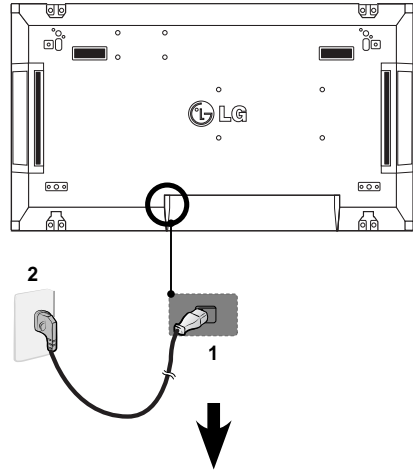


ENGLISH

Connecting to a USB



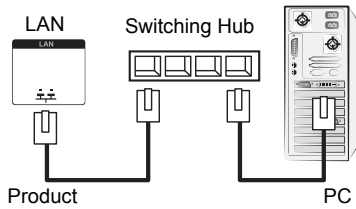
Connecting the Power code



Connecting to the LAN

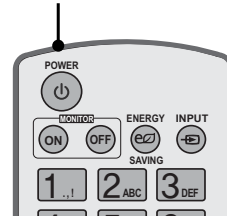
LAN connection

A Using a router(Switching Hub)

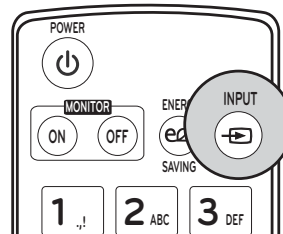


B Using the Internet.

Power button



NOTE

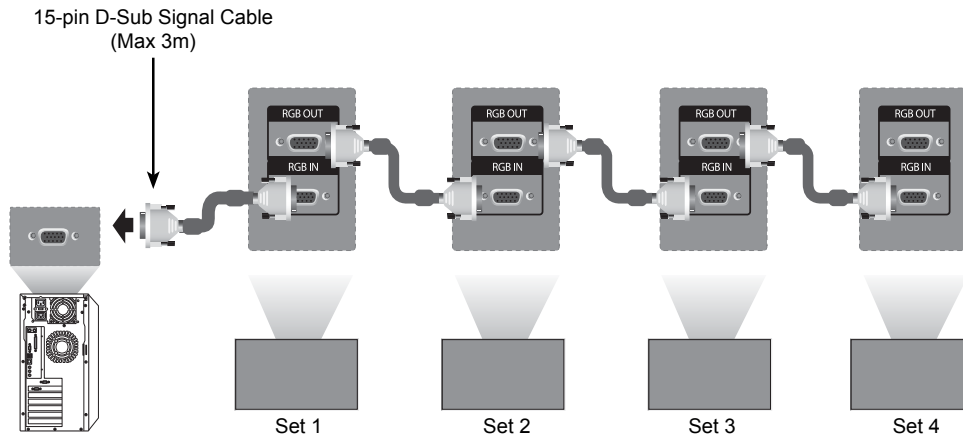


Select an input signal.

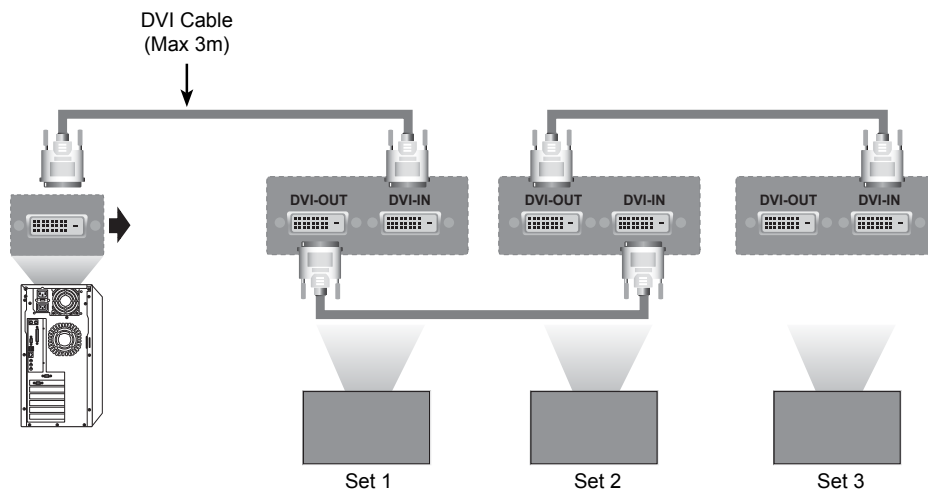
AV → Component → RGB → HDMI → DVI-D

Daisy Chain Monitors

RGB Cable



DVI Cable



! NOTE

- "Input signal may be degraded or lost when multiple monitors are connected. For DVI, in general, up to 12 monitors can be connected via the DVI Out port (at the recommended resolution) if the signal is stable and there is no cable loss. (If you want to connect more than this number of monitors, we recommended that you use a distributor.)
- When the tile mode is configured via DVI cables, only the monitor that receives first signals can play HDCP-encrypted content. (The DVI Out port does not support HDCP).
- If the signal cable between the product and your PC is too long, make sure to use the DVI (RGB) booster or DVI (RGB) optical cable.
- If input signals are received through the HDMI/DP cable, multiple monitors cannot be connected via the DVI Out port"

ENGLISH

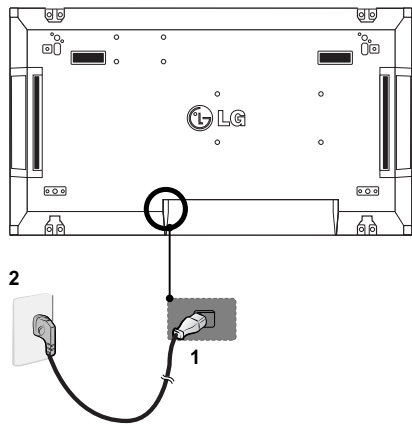
MULTIVISION CONFIGURATION

Function Setting

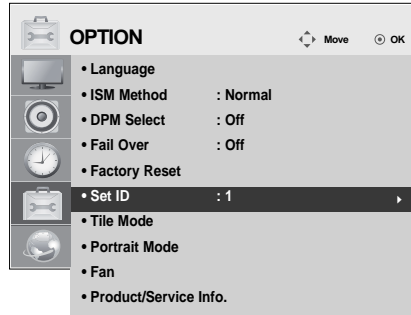
1 IR Receiver connection.



2 Connecting the Power code

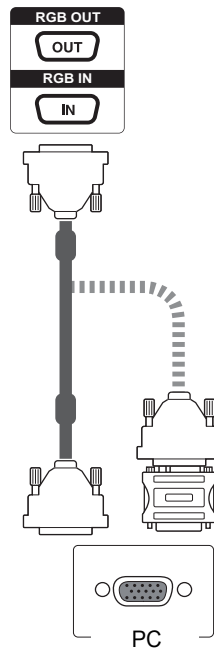


3 Set ID setup for each set.

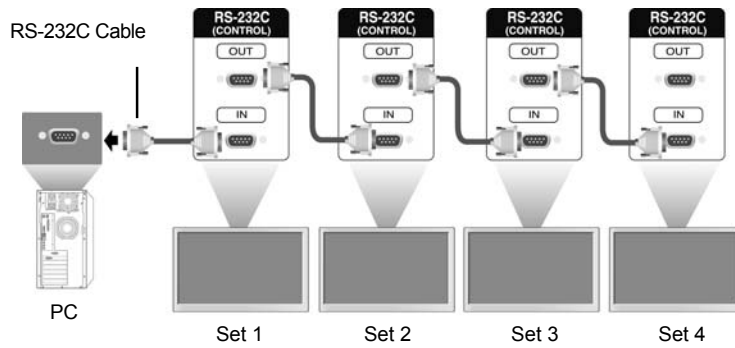


4 IR Receiver removal for all sets except for Set 1.

5 RGB connection.

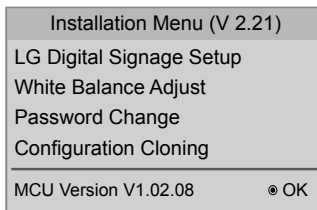


6 Connect the Monitor sets, in series, using an RS-232C cable.

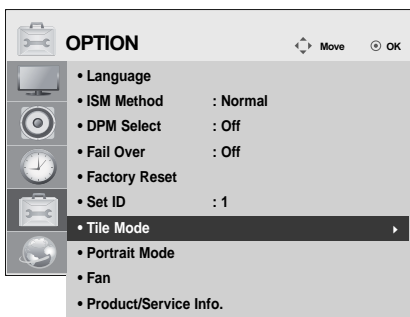


ENGLISH

7 Installation Menu setup.



8 Tile Mode setup.



ENGLISH

Setting the Installation Menu

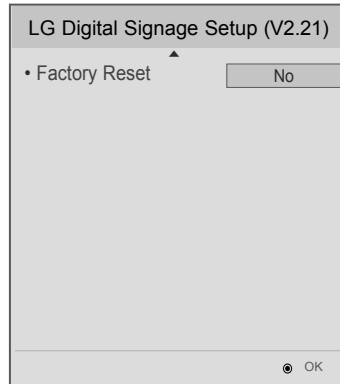
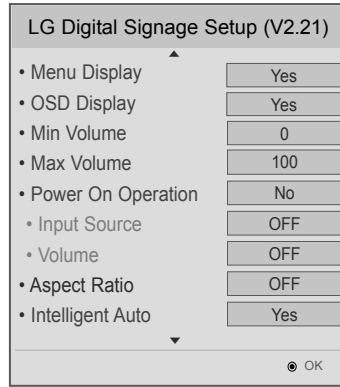
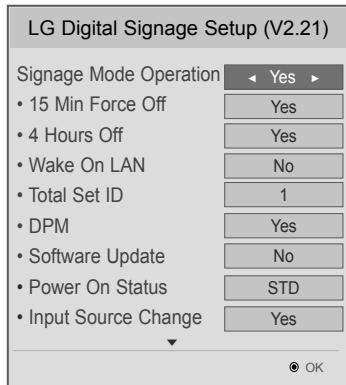
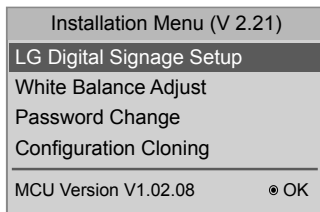
- 1 If you press the MENU button on the remote control for more than five seconds, the main menu appears and then disappears. The input data is also displayed in the upper left corner of the screen.



- 2 Press the "0" button four times. Press the OK button.



- 3 When the Installation Menu is displayed, select the item you want.



Signage Mode Operation	Decide to work all functions of 'Signage Mode Operation' or not.
15Min Force Off	Turns off the monitor if there is no input for more than 15 minutes. "No" is the recommended default value setting.
4 hours off	Turns off the monitor if there is no input on the remote control for more than four hours. "No" is the recommended default value setting.
Wake On LAN	Turns on the monitor remotely using LAN.
Total Set ID	Sets the maximum value for picture IDs.
DPM	Enters energy saving mode if there is no input signal.
Software Update	Sets whether to use NSU (Network Software Update).
Power On Status	Decide to select working status of Monitor Set when turn on main power.
Input Source Change	Decide to change input source or not by setting 'Input Source Change' as Yes(Change possible) or No(Change impossible).
Menu Display	MENU key does not work if 'Menu Display' is set to No.
OSD Display	Decide to display OSD or not by setting 'OSD Display' as Yes(Mark) or No(No Mark).
Min Volume	Decide 'Min Volume' between changing range 0 to 100.
Max Volume	Decide 'Max Volume' between changing range 0 to 100.
Power On Default	With the power turned on, you can set the 'Input Source' and 'Volume' options.
Input Source	Set whether it is turned on by the set input source or by the last stored input source.
Volume	This sets whether to apply the Volume Level or not when the power is turned on.

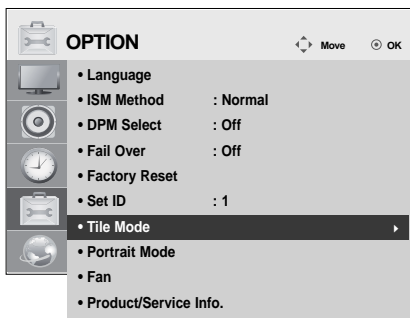
Aspect Ratio	With the power turned on, you can set the 'Aspect Ratio' option with the pre-defined value.
Intelligent Auto	If the setting is Yes, Display is automatically arranged through resolution size when you change the resolution at the first.
Factory Reset	If it is set to No, 'Factory Reset' under OPTION is disabled.

ENGLISH

Setting the Tile Mode

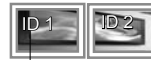
In Tile Mode you can view an image in a larger scale by connecting multiple monitors.

- **Tile Mode Off:** An input image is not enlarged, and the same image is shown on all connected monitors.
- **Tile Mode On:** An input image is enlarged according to the value in the H. Set Count and V. Set Count fields.



• 2X1:

When using two monitors



Tile ID

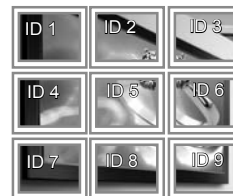
• 2X2:

When using four monitors



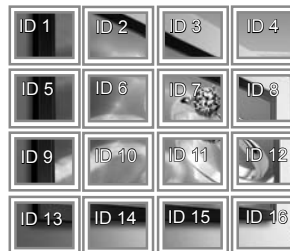
• 3X3:

When using nine monitors



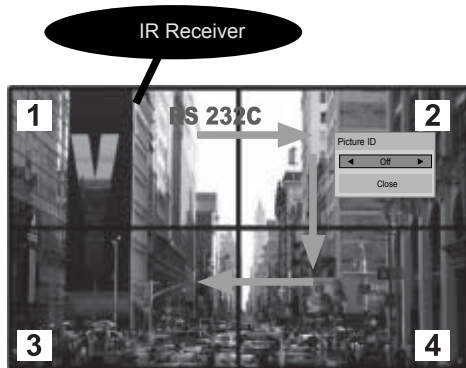
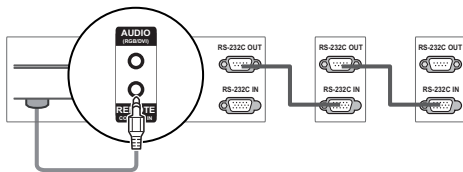
• 4X4:

When using 16 monitors



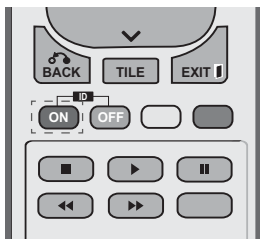
Setting the Picture ID

Picture ID is used to change the settings of a specific set (display) using a single IR receiver for multi-vision. The set receiving the IR signal communicates with another set via the RS232 connector. Each set is identified by a Set ID. If you assign the Picture ID using the remote control, only displays with the same Picture ID and Set ID can be controlled remotely.

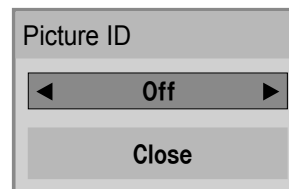


2X2 Multi-Vision (Total Set ID: 4)
Set IDs are assigned as shown in the picture.

- 1 Press the ID On (Red) button on the remote control.



- 2 If you press the left/right buttons or press the ON button repeatedly, the Picture ID cycles through OFF and 1 to 4. Assign the ID you want.



- If you assign the Set ID to each set with multi-vision, and then assign the Picture ID using the red button on the remote control, the key command is displayed for the set with the same Set ID and Picture ID. A set with different Set IDs and Picture IDs cannot be controlled by IR signals.
- Refer to the Set ID on page 46 for assigning a Set ID.
- The maximum value of the Picture ID can be set in the Total Set ID menu.
- Please refer to the Installation Manual for more information on the assignment of a Total Set ID.

NOTE

- For example, if the Picture ID is assigned to 2, the upper right display (Set ID: 2) can be controlled by IR signals.
- For each set, you can change the settings for the PICTURE, AUDIO, TIME, OPTION, NETWORK and MY MEDIA menus or the hot keys on the remote control.
- If you press the ID OFF (Green) button, the Picture IDs for all sets are turned off. If you then press any button on the remote control, all sets will start working again.
- The Picture ID function may not work during MY MEDIA operating.



Free Manuals Download Website

<http://myh66.com>

<http://usermanuals.us>

<http://www.somanuals.com>

<http://www.4manuals.cc>

<http://www.manual-lib.com>

<http://www.404manual.com>

<http://www.luxmanual.com>

<http://aubethermostatmanual.com>

Golf course search by state

<http://golfingnear.com>

Email search by domain

<http://emailbydomain.com>

Auto manuals search

<http://auto.somanuals.com>

TV manuals search

<http://tv.somanuals.com>