



Website: <http://us.lge.com>

Installation Manual

Electric Range

LRE30451S / LRE30755S

Please read these instructions thoroughly before installing and operating the range.

P/No.: 3828W5U0512

1 BEFORE YOU BEGIN

Remove all tape and packing materials before using the range. Dispose all plastic bags after unpacking the range. Never allow children to play with packing materials.

IMPORTANT SAFETY INSTRUCTIONS

⚠ WARNING If the information in this manual is not followed exactly, a fire or electrical shock may result causing property damage, personal injury or death.



⚠ WARNING

- ALL RANGES CAN TIP
- INJURY TO PERSONS COULD RESULT
- INSTALL ANTI-TIP BRACKET PACKED WITH RANGE
- SEE INSTALLATION INSTRUCTIONS



Important Notes to the Installer

- Read all instructions contained in these installation instructions before installing range.
- Remove all packing materials from the oven compartments before connecting the electrical supply to the range.
- Observe all governing codes and ordinances.
- Be sure to leave these instructions with the consumer.

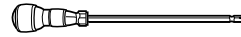
Important Note to the Consumer

Keep these instructions with your owner's manual for future reference.

- As when using any appliance generating heat, there are certain safety precautions you should follow.
- Be sure your range is installed and grounded properly by a qualified installer or service technician.
- Make sure the wall coverings around the range can withstand the heat generated by the range.
- To eliminate the need to reach over the surface elements, cabinet storage space above the elements should be avoided.

PREPARE TO INSTALL THE RANGE

TOOLS NEEDED



Phillips Screwdriver



Level



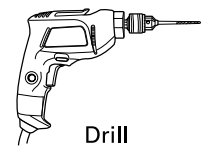
Flat-blade
Screwdriver



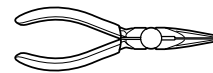
Adjustable Wrench



3/8" Nut Driver

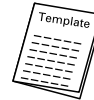


Drill

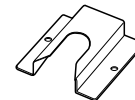


Pliers

PARTS PROVIDED



Template



Anti-Tip Bracket Kit



Lug
(For conduit
connection)



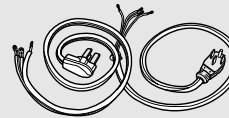
Anchor Sleeves



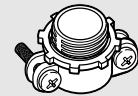
Lag Bolts

(For Anti-Tip Bracket Mounted
on Concrete Floors Only)

PARTS NOT PROVIDED



(UL Approved 40 or 50 AMP)
4-Wire Cord OR 3-Wire Cord



Strain Relief
(For Conduit
Installations Only)

2 INSTALLATION DRAWINGS

IMPORTANT

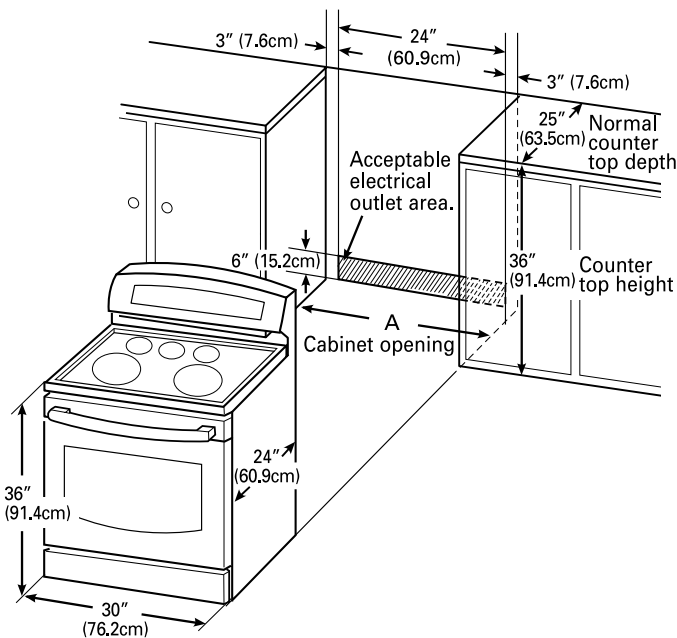
SAVE FOR THE USE OF THE LOCAL ELECTRICAL INSPECTOR.

CLEARANCES AND DIMENSIONS (Figure 1)

To install range refer to the following Figure 1.

For installation in CANADA, a Free-standing range is not to be installed closer than 12 mm from any adjacent surface.

CAUTION This range has been designed to comply with the maximum allowable wood cabinet temperatures of 194°F. Make sure the wall covering, countertop and cabinets around the range can withstand the heat (up to 194°F) generated by the range. If not discoloration, delamination or melting may occur.



A = 30" (76.2 cm) For U.S.A
 = 30" (76.2 cm) ~ 31" (78.7 cm) For CANADA

FIGURE 1

IMPORTANT To eliminate the risk of burns or fire by reaching over heated surface units, cabinet storage space located above the surface units should be avoided. If cabinet storage is to be provided, the risk can be reduced by installing a range hood that projects horizontally a minimum of 5 inches beyond the bottom of the cabinets.

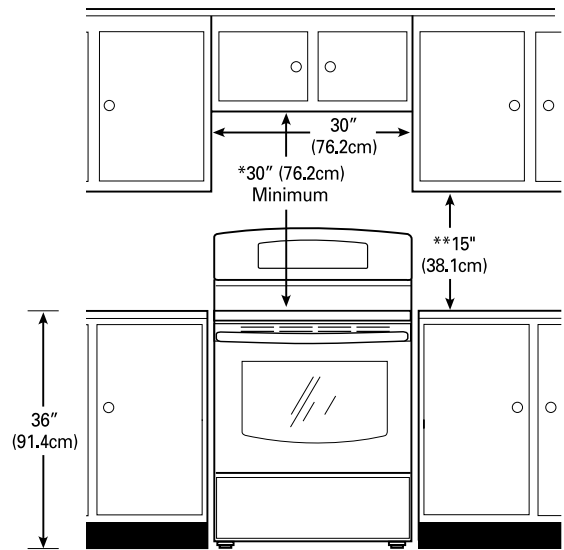


FIGURE 2

MINIMUM DIMENSIONS (Figure 2)

* 30" (76.2 cm) minimum clearance between the top of the cooking surface and the bottom of an unprotected wood or metal cabinet; or 24" (60.9 cm) minimum when bottom of wood or metal cabinet is protected by not less than 1/4" (6.4 cm) flame retardant millboard covered with not less than no. 28 MSG sheet steel, 0.015" (0.381 mm) stainless steel, 0.024" (0.610 mm) aluminum or 0.020" (0.508 mm) copper.

** 15" (38.1 cm) minimum between countertop and adjacent cabinet bottom.

3 ELECTRICAL CONNECTION REQUIREMENTS

This appliance must be installed and grounded on a branch circuit by a qualified technician in accordance with the National Electrical code ANSI/NFPA NO. 70 - latest edition.

All wiring should conform to Local and NEC. This range requires a single-phase, 3 wire, A.C 120/208V or 120/240V 60Hz electrical system. Use only a 3-conductor or a 4-conductor UL-listed range cord with closed-loop terminals, open-end spade lugs with upturned ends or similar terminations. Cord must have the strain relief properly installed.

A range cord rated at 40 amps with 120/240 minimum volt range is required. If a 50 amp range cord is used, it should be marked for use with 1³/₈" diameter connection openings.

This appliance may be connected by means of conduit or power cord. If conduit is being used, go to page 6 **3 wire conduit connections** or page 7 for **4 wire conduit connections**.

⚠ WARNING

New branch-circuit installations (1996 NEC), mobile homes, recreational vehicles, and installations where local codes do not allow grounding through neutral require a 4-conductor UL listed range cord or 4 wire conduit connection.

4 CONNECT RANGE CORD

The Rear Access cover must be removed. Loosen the three screws with a screwdriver. The terminal block will then be accessible.

3, 4 - Wire electrical wall Receptacle types

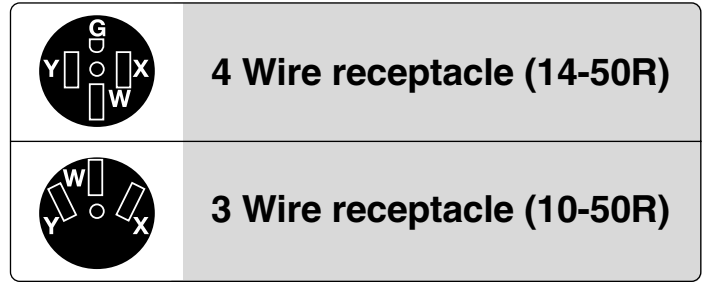


FIGURE 3

Conduit connection plate is used for the installation of power cord or conduit. For power cord, install it with conduit connection plate as manufacturer supplied. For conduit cord, remove the conduit connection plate located below the rear of the drawer body and use the conduit hole (1¹/₈") instead of power cord hole (1³/₈"). (Refer to Figure 8.)

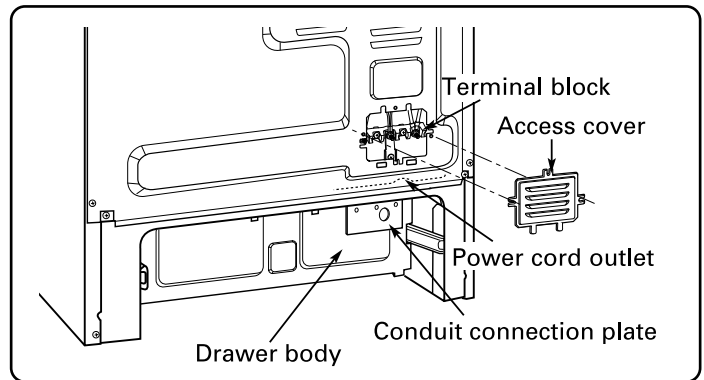


FIGURE 4

Specified power-supply-cord kit rating				
Range rating, watts		Specified rating of power-supply-cord kit, amperes	Diameter (inches) of Range connection Opening	
120/240 volts 3-wire	120/208 volts 3-wire		Power cord	Conduit
8,750 - 16,500	7,801 - 12,500	40 or 50A	1 ³ / ₈ "	1 ¹ / ₈ "
16,501 - 22,500	12,501 - 18,500	50	1 ³ / ₈ "	1 ¹ / ₈ "

3-wire connection with a power supply cord

⚠ WARNING

The middle (neutral or ground) wire of the power cord or 3-wire conduit has to be connected to the middle post of the main terminal block. The remaining two wires of the power cord or conduit have to be connected to the outside posts of the main terminal connection block.

Install the power cord as follows:

For power cord installations, Hook the strain relief over the power cord hole (1³/₈"") located below the rear of drawer body. Insert the power cord through the strain relief and tighten it. (Refer to Figure 5.)

You must install the power cord with a strain relief.

1. Remove the 3 nuts from the terminal block and retain them. (Refer to Figure 6.)
2. Attach the 3 wires (L1, Neutral, L2) to each terminal block bolt. Make sure that the center wire (neutral) is connected to the center position of the terminal block.
3. Tighten the 3 nuts securely into the terminal block. **Do not remove the ground strap connection.**
4. Go to page 8.

4-wire connection with a power supply cord

⚠ WARNING

Only a 4-conductor power-supply cord kit rated 120/240 volts, 50 amperes and marked for use with ranges with closed-loop connectors, open-end spade lugs with upturned ends shall be used. The middle (neutral) wire of the power cord or 4-wire conduit has to be connected to the middle post of the main terminal block. Other two wires of the power cord or conduit have to be connected to the outside posts of the main terminal connection block. The 4th ground wire must be connected to the frame of the range with the ground screw.

Follow the instructions under "Install the power cord as follows" on page 5 to correctly install the strain relief.

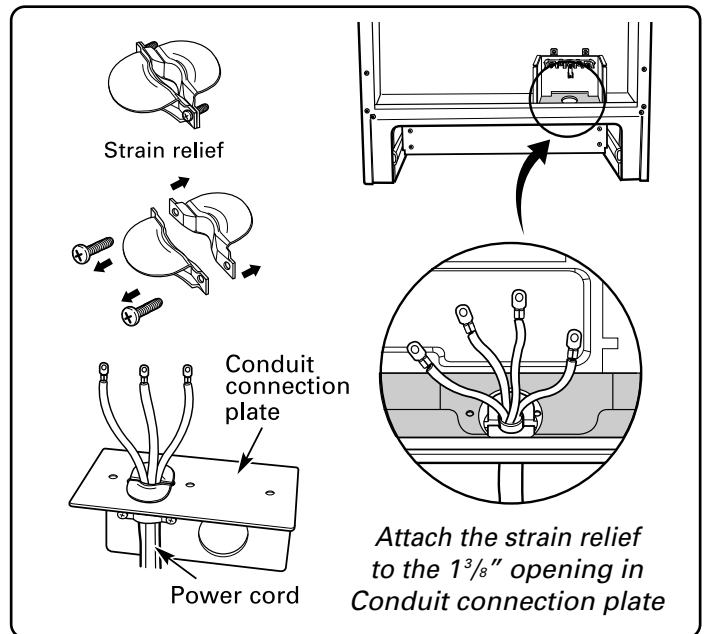


FIGURE 5

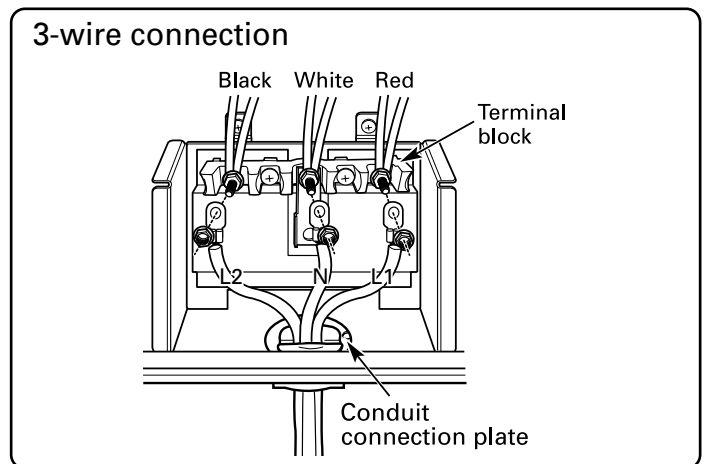


FIGURE 6

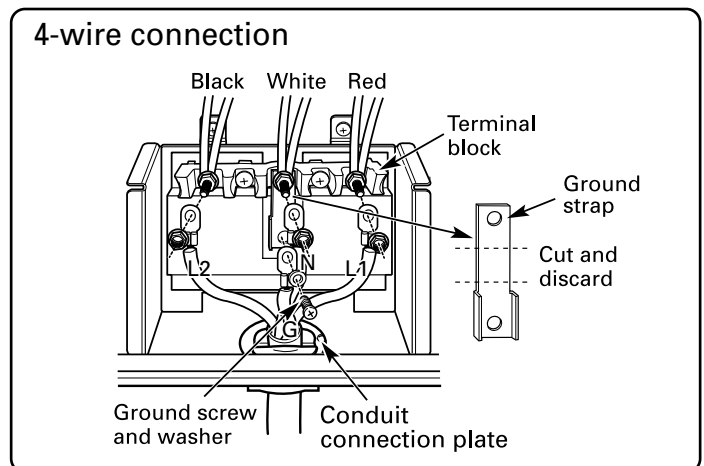


FIGURE 7

1. Remove the 3 nuts from the terminal block.
(Refer to Figure 7.)
Remove the ground screw and washer retain them.
2. **Cut the center portion of ground strap as shown Figure 7.**
Do not discard any screws.
3. Attach the ground wire with the ground screw and washer.
4. Attach the 3 wires (L1, Neutral, L2) to the correct terminal block bolts. Be certain that the center wire (white/neutral) is connected to the center position of the terminal block. Tighten the 3 nuts securely onto the terminal block.
5. Go to page 8.

3-wire connection: conduit

Install the conduit as follows:

Remove the Conduit connection plate from the rear of drawer body and rotate it as shown in Figure 8. The conduit hole ($1\frac{1}{8}$ ") must be used.

First, prepare conduit cord as shown in Figure 9.

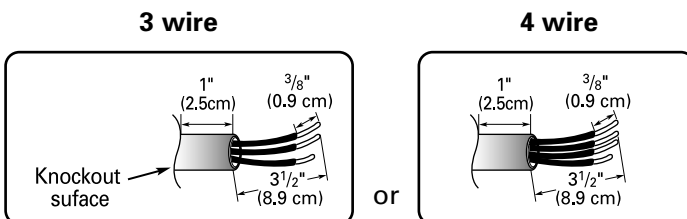


FIGURE 9

Second, install conduit cord as shown in Figure 10.

For conduit installations, after purchasing a strain relief, insert it in the conduit hole ($1\frac{1}{8}$ "). Then install the conduit cord through the body of strain relief and fasten the strain relief with its ring. Reinstall the bracket.

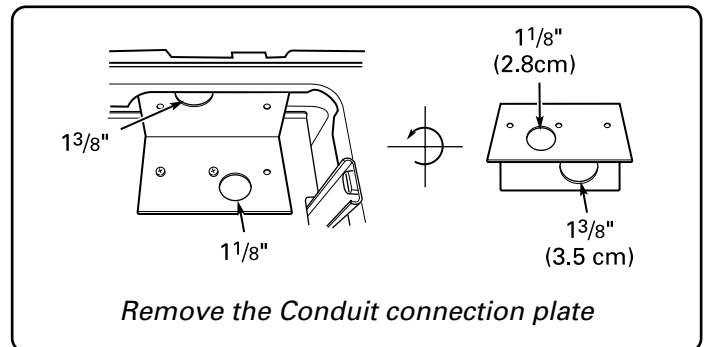


FIGURE 8

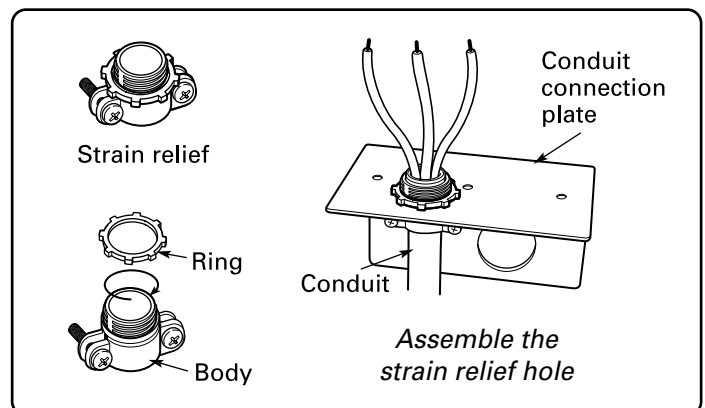


FIGURE 10

Third, connect the wires.

If bare wire is used, connect with adapter lugs as shown in Figures 11 and 12.

1. Insert the end of each wire (L1, L2, Neutral) into the each lug. Tighten the clamping screw.
2. Remove the 3 nuts from the terminal block and retain them.
3. Attach the lug with white wire (Neutral) to the center terminal block bolt.
4. Attach the lug with black wire (L2) to the left terminal block bolt.
5. Attach the lug with red wire (L1) to the right terminal block bolt.
6. Tighten 3 nuts (removed earlier) securely onto the terminal block.
7. Go to page 8.

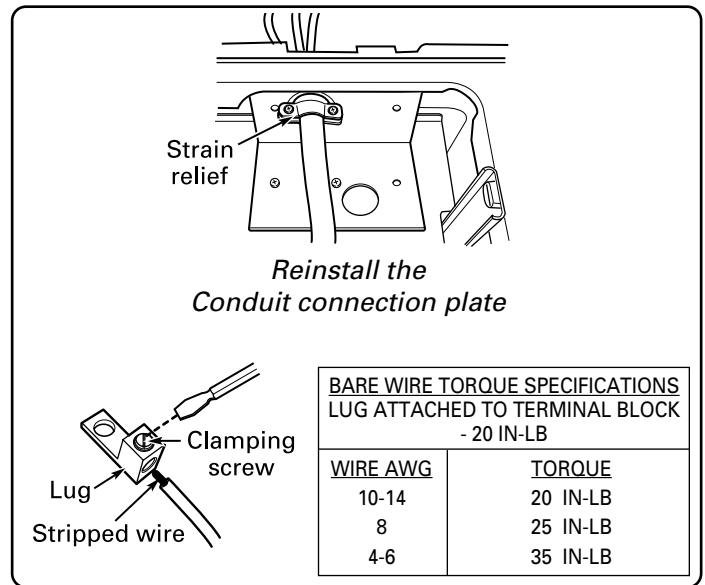


FIGURE 11

4-wire connection: conduit

1. Follow the instructions under "Install the conduit cord as follows" on page 6 to correctly install the strain relief.

You must install the conduit with a strain relief.

2. **Cut the center portion of ground strap as shown Figure 13.**

Do not discard any screws.

If bare wire is used, connect with adapter lugs as shown in Figures 11 and 13.

3. Insert the end of green wire (ground) from conduit into the lug and tighten the clamping screw. Attach the lug to the GND hole below terminal block with ground screw (removed earlier).
4. Insert the end of each wire (L1, L2, Neutral) into each separate lug. Tighten the clamping screw.
5. Remove the 3 nuts from the terminal block. Remove the ground screw and retain them.
6. Attach the lug with white wire (Neutral) to the center terminal block bolt.
7. Attach the lug with black wire (L2) to the left terminal block bolt.
8. Attach the lug with red wire (L1) to the right terminal block bolt.
9. Tighten 3 nuts (removed earlier) securely into the terminal block.
10. Go to page 8.

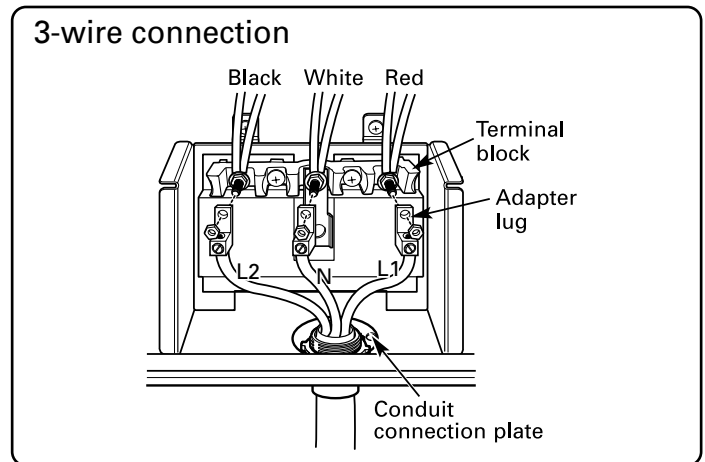


FIGURE 12

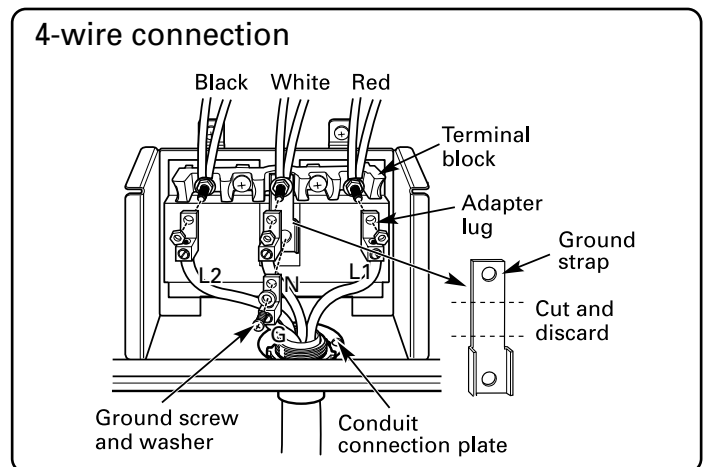
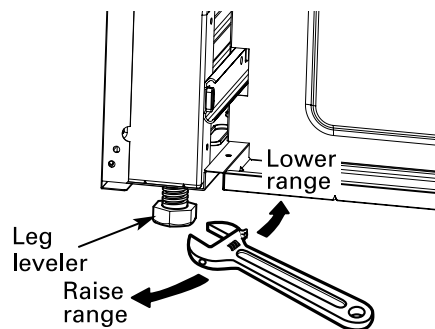
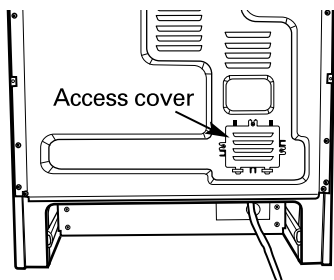


FIGURE 13

Part 4

INSTALL THE RANGE

Replace the access cover on the range back. To replace the wire cover, insert double projections in the pockets located below the opening and tighten the three screws.

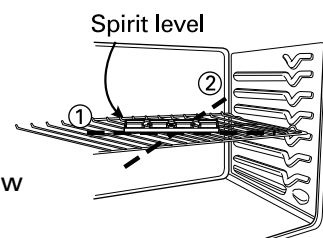


Use a spirit level to check your adjustments. Place the level diagonally on the oven rack, and check each direction for level.

First check direction ①.

After check direction ②.

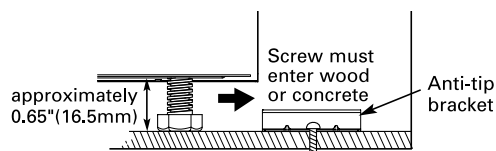
If the spirit level doesn't show level on the rack, adjust the leveling legs with a wrench.



5 ANTI-TIP DEVICE INSTALLATION

⚠ WARNING

- To reduce the risk of tipping, the appliance must be secured by properly installed anti-tip devices packed with the appliance.
- See instructions to install (supplied with bracket).
- Unless properly installed, the range could be tipped by stepping or sitting on the door. Injury may result from spilled hot liquids or from the range itself.



Note

To install Anti-tip bracket, release the leveling leg. A minimum clearance of 0.65" (16.5mm) is required between the range bottom and the kitchen floor.

1. Locate the bracket using the template

An Anti-tip bracket is packaged with template. The instructions include necessary information to complete the installation.

Read and follow range installation instruction sheet (template).

2. Level the range

Level the range by adjusting the leveling legs with a wrench.

6 FINAL INSTALLATION

- Move range close enough to the opening to plug into the receptacle.
- Slide range into position insuring that the left back leg slides under the anti-tip bracket. Range will sit 0" away from the back wall when properly installed.
- Carefully tip range forward to insure that the anti-tip bracket engages the range back brace and prevents tip-over.
- Turn on electrical power. Check range for proper operation as described in owner's manual.



Sitio Web: <http://us.lge.com>

Manual de instalación

Estufa eléctrica

LRE30451S / LRE30755S

Sírvase leer cuidadosamente estas instrucciones antes de instalar y poner a funcionar la estufa.

Número de pieza : 3828W5U0512

1 ANTES DE COMENZAR

Antes de usar la estufa, quite todas las cintas y materiales de empaque. Después de desempacar la estufa deseche todas las bolsas de plástico. Nunca permita que los niños jueguen con los materiales de empaque.

INSTRUCCIONES DE SEGURIDAD MUY IMPORTANTES

⚠ ADVERTENCIA El no seguir exactamente las instrucciones de este manual puede ocasionar incendios o sacudidas eléctricas que podrían causar daños a la propiedad, lesiones personales o la muerte.



⚠ ADVERTENCIA

- **TODAS LAS ESTUFAS PUEDEN VOLCARSE**
- **ALGUNAS PERSONAS PODRÍAN RESULTAR LESIONADAS**
- **SE DEBE INSTALAR LA MÉNSULA ANTI-VOLCADURAS PROVISTA JUNTO CON LA ESTUFA.**
- **CONSULTE LAS INSTRUCCIONES DE INSTALACIÓN**



Notas importantes para el instalador

- Antes de instalar la estufa lea todas las instrucciones incluidas en estas instrucciones de instalación.
- Antes de conectar la fuente de alimentación eléctrica debe quitar todos los materiales de empaque del compartimiento del horno.
- Cumpla con todos los códigos y ordenanzas vigentes.
- Siempre deje estas instrucciones con el consumidor.

Notas importantes para el consumidor

- Conserve estas instrucciones junto con su manual del propietario para cualquier consulta en el futuro.
- Al igual que cuando se utiliza cualquier artefacto que genera calor, deben seguirse ciertas precauciones de seguridad.
- Cerciórese de que su estufa sea instalada y conectada a tierra correctamente por un instalador o técnico de servicio calificado.
- Cerciórese de que todos los adornos o recubrimientos de la pared que están alrededor de la estufa tienen la capacidad de resistir el calor generado por la misma.
- Se debe evitar el uso de gabinetes de almacenamiento encima de la estufa para no tener que alcanzarlos por encima de los elementos de cocción.

PREPARATIVOS PARA INSTALAR LA ESTUFA

HERRAMIENTAS NECESARIAS



Destornillador Phillips



Nivel



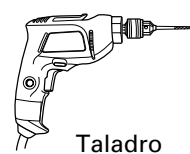
Destornillador de hoja plana



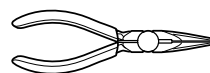
Llave de tuercas ajustable



Llave de caja de 3/8"

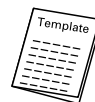


Taladro

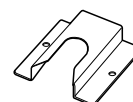


Alicates

PIEZAS PROVISTAS



Plantilla



Juego de ménsula anti-volcaduras



Oreja (Para conexión de conducto)



Manguitos de anclaje



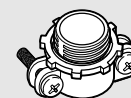
Pernos de fijación

(Solamente cuando se instala la ménsula de anti-volcadura en pisos de concreto)

PIEZAS NO PROVISTAS



(Aprobado por la UL para 40 o 50 AMPS)
Cable de 4 alambres o de 3 alambres



Tensor de alivio (Solamente para instalaciones con conducto portacables)

2 ILUSTRACIONES DE INSTALACIÓN

IMPORTANTE

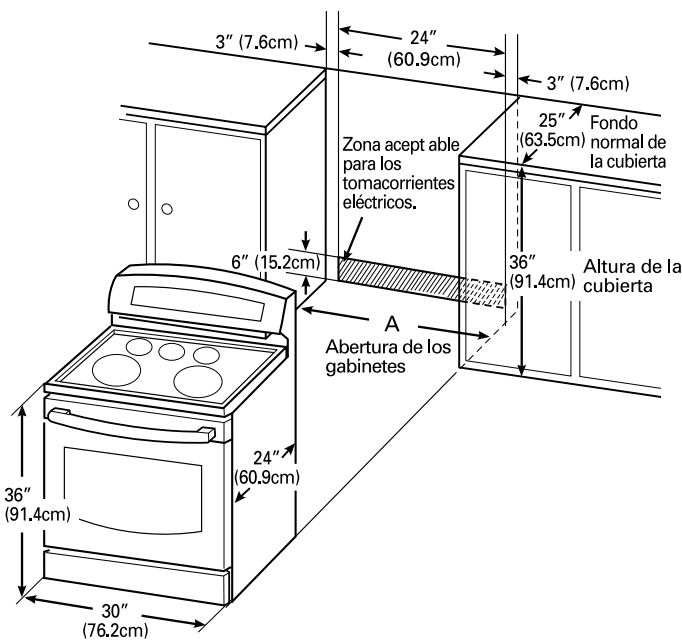
GUÁRDELO PARA EL USO DEL INSPECTOR LOCAL DE INSTALACIONES ELÉCTRICAS.

HOLGURAS Y DIMENSIONES (Figura 1)

Consulte la figura 1 a continuación para la instalación de la estufa.

Si se va a instalar en CANADÁ, una estufa autónoma no podrá instalarse a menos de 12 mm de cualquier superficie adyacente.

PRECAUCIÓN Esta estufa ha sido diseñada para cumplir con las temperaturas máximas permitidas para gabinetes de madera, es decir 194°F (90°C). Cerciérese de que los recubrimientos de la pared, cubierta y gabinetes alrededor de la estufa pueden resistir la temperatura generada por la estufa (194°F (90°C)). De lo contrario podría presentarse decoloración, derretimiento o delaminación.



A = 30" (76.2 cm) Para EE.UU.
= 30" (76.2 cm) ~ 31" (78.7 cm) Para CANADÁ

FIGURA 1

IMPORTANTE Para eliminar los riesgos de quemaduras o incendios cuando se trata de alcanzar algo por encima de unidades con superficies calientes, debe evitarse disponer de gabinetes de almacenamiento por encima de las unidades de superficie. Si se han provisto gabinetes de almacenamiento, puede reducirse el riesgo si se instala una campana de estufa que sobresalga un mínimo de 5 pulgadas (12 cm) de la parte inferior de los gabinetes.

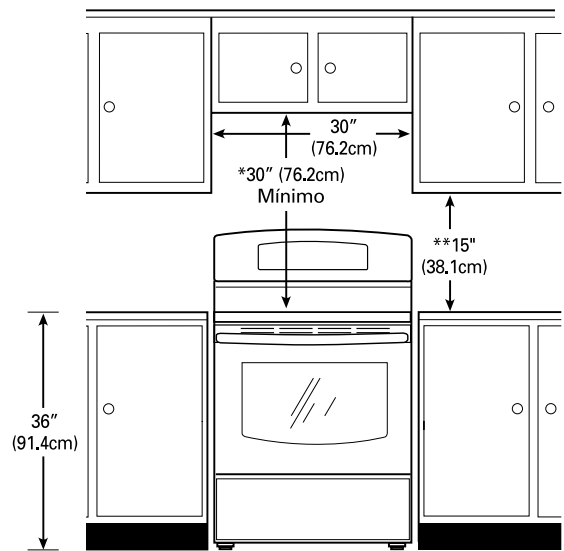


FIGURA 2

DIMENSIONES MÍNIMAS (Figura 2)

* 30" (76.2 cm) de holgura mínima entre la cubierta de la superficie de cocción y la base de un gabinete de madera o de metal sin protección; o 24" (60.9 cm) como mínimo cuando la parte inferior de un gabinete de madera o de metal está protegida por una capa de 1/4" (6.4 mm) de cartón gris resistente al fuego y recubierta cuando menos con lámina de acero no. 28 MSG, 0.015" (0.381 mm) de acero inoxidable, 0.024" (0.610 mm) de aluminio o 0.020" (0.508 mm) de cobre.

** 15" (38.1 cm) como mínimo entre la cubierta de los gabinetes y la parte inferior del gabinete adyacente.

3 REQUISITOS DE LAS CONEXIONES ELÉCTRICAS

Este artefacto deberá instalarse y conectarse a tierra en un circuito de red por un técnico certificado, de acuerdo con la edición más reciente del código de la National Electrical code ANSI/NFPA NO. 70

Todo el alambrado deberá conformarse a Local y NEC. Esta estufa requiere de un sistema eléctrico monofásico, de 3 alambres, 120/208 V C.A. o 120/240 V 60Hz. Use solamente un cable de 3 o 4 alambres para estufa reconocido por la UL, con terminales de ojillo cerrado, lengüetas de pala con extremos doblados o terminales parecidas. El cable deberá tener un tensor de alivio montado correctamente.

Es necesario un cable para estufa con capacidad nominal de 120/240 V a 40 amps. Si se llegara a usar un cable de estufa de 50 amps., deberá estar marcado como para ser utilizado en aberturas de conexión de 13.8" (3.5 cm) de diámetro.

Este artefacto puede conectarse usando un conductor de cable o cable de alimentación. Si se utilizan conductos portacables, consulte la página 6.

Conexiones de conductos portacables con 3 alambres o la página 7 para las **conexiones de conductos portacables con 4 conductores**.

⚠ ADVERTENCIA

Todas las instalaciones de red nuevas (1996 NEC), remolques, vehículos recreativos e instalaciones donde los códigos locales no permiten la conexión a tierra por el neutro requieren un cable de 4 alambres reconocido por la UL o conexión a conductos portacables de 4 alambres.

4 CÓMO CONECTAR EL CABLE DE LA ESTUFA

Debe quitarse la cubierta de acceso posterior. Use un destornillador para aflojar los tres tornillos. Entonces se podrá tener acceso a un bloque de terminales.

3, Tipos de tomacorriente de pared de 4 alambres.

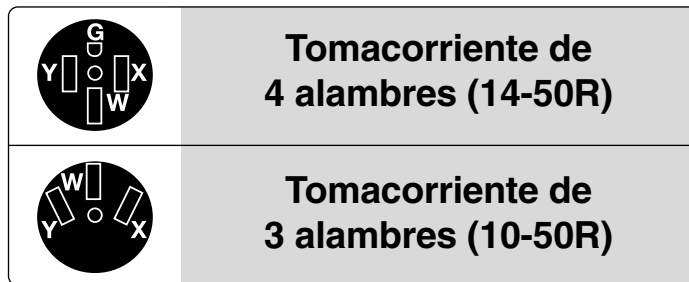


FIGURA 3

Para la instalación del cable de alimentación o de conducto portacables se deben usar placas de conexión para conectar a conductos portacables. El cable de alimentación deberá instalarse con la placa de conexión de conductos portacables provista por el fabricante. En el caso de conductos portacables, quite la placa de conexión de conductos portacables que está ubicada debajo de la parte posterior del cuerpo del cajón y use el orificio del conducto portacables (1 1/8" (2.8 cm)) en lugar del orificio del cable de alimentación (1 3/8" (3.5 cm)). (Consulte la Figura 8.)

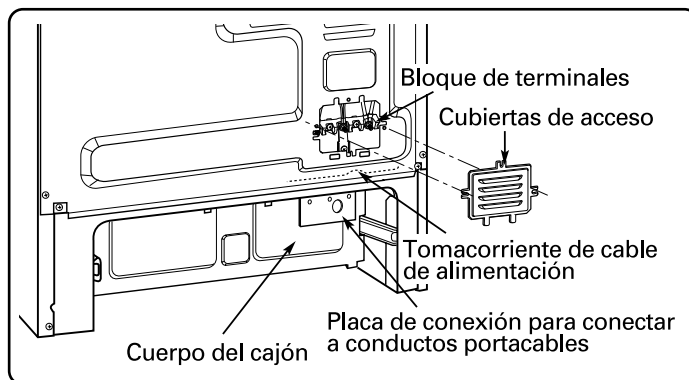


FIGURA 4

Clasificación nominal especificada para el juego del cable de alimentación				
Capacidad nominal de la estufa. Vatios		Clasificación nominal especificada para el juego de cable de alimentación, amperios	Diámetro (en pulgadas) de la abertura de conexión de la estufa	
120/240 voltios 3 alambres	120/208 voltios 3 alambres		Cable de alimentación	Conducto portacables
8,750 - 16,500	7,801 - 12,500	40 o 50A 50	1 3/8"	1 1/8"
16,501 - 22,500	12,501 - 18,500		1 3/8"	1 1/8"

Conexión de 3 alambres con un cable de alimentación

⚠ ADVERTENCIA

El cable central (neutro o tierra) del cable de alimentación o conducto portacables de 3 alambres debe conectarse al poste central del bloque de terminales principal. Los dos alambres restantes del cable de alimentación o conducto portacables de 3 alambres deberán conectarse a los postes externos del bloque de terminales principal.

Instale el cable de alimentación como sigue:

Para las instalaciones del cable de alimentación, enganche el tensor de alivio al orificio del cable de alimentación (1³/₈" (3.5 cm)) ubicado debajo de la parte posterior del cuerpo del cajón. Inserte el cable de alimentación a través del tensor de alivio y apriételo. (Consulte la Figura 5.)

El cable de alimentación deberá instalarse con un tensor de alivio.

1. Quite las 3 tuercas del bloque de terminales y guárdelas. (Consulte la Figura 6.)
2. Afiance los 3 alambres (L1, Neutral, L2) a cada perno del bloque de terminales. Cercíorese de que el alambre central (neutral) se conecta al poste central del bloque de terminales.
3. Apriete las 3 tuercas firmemente al bloque de terminales. **No quite la conexión de la cinta de conexión a tierra.**
4. Diríjase a la página 8.

Conexión de 4 alambres con un cable de alimentación

⚠ ADVERTENCIA

Use solamente un cable de alimentación de 4 alambres con capacidad nominal de 120/240 voltios, 50 amperios y marcado para ser utilizado en una estufa, con terminales de ojillo cerrado o lengüetas de pala con extremos doblados. El cable central (neutro o tierra) del cable de alimentación o conducto portacables de 4 alambres debe conectarse al poste central del bloque de terminales principal. Los dos alambres restantes del cable de alimentación o conducto portacables deberán conectarse a los postes externos del bloque de terminales principal. El 4° alambre de tierra deberá conectarse al marco de la estufa usando el tornillo de tierra.

Para instalar correctamente el tensor de alivio, siga las instrucciones "Instale el cable de alimentación como sigue" en la página 5.

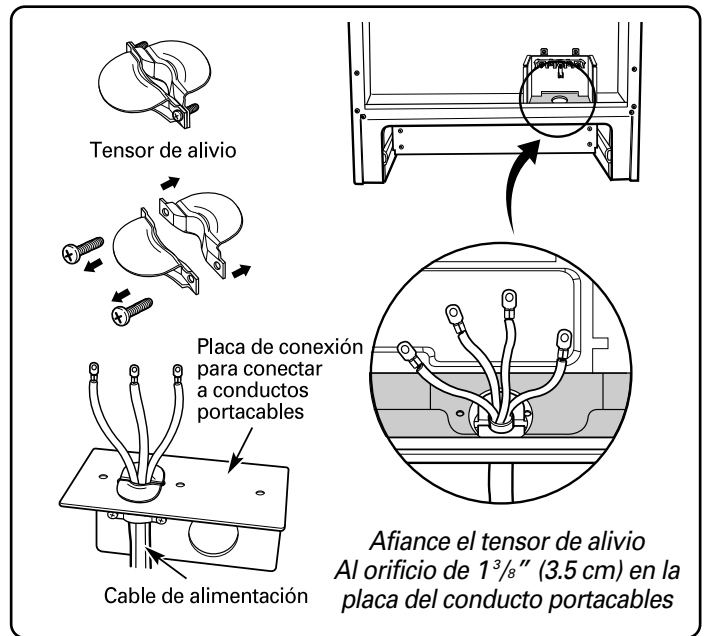


FIGURA 5

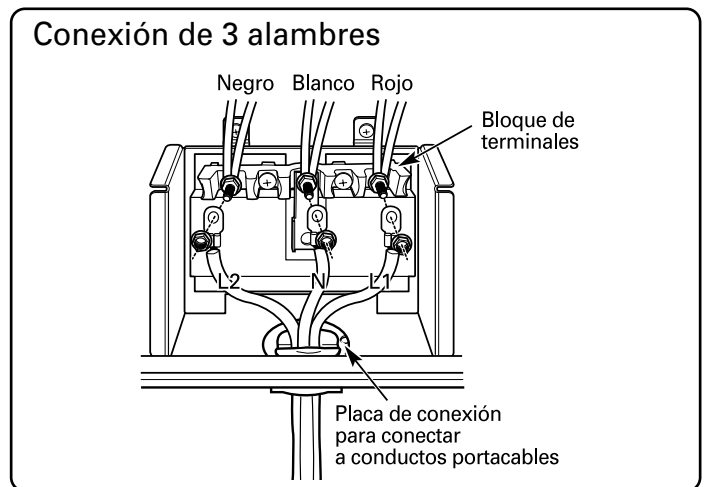


FIGURA 6

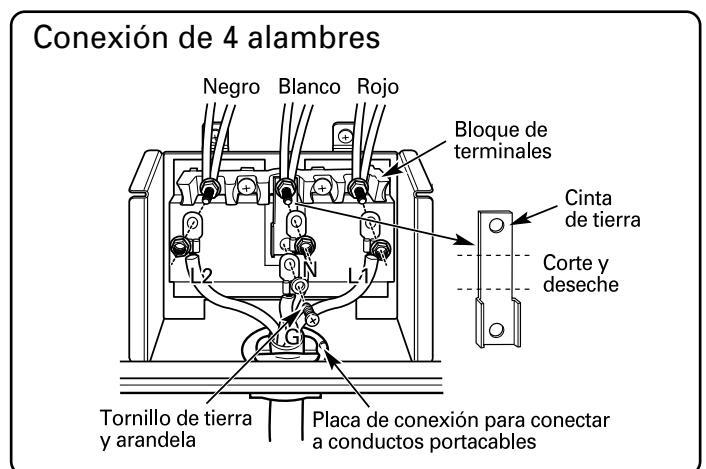


FIGURA 7

1. Quite las 3 tuercas del bloque de terminales .
(Consulte la Figura 7.)
Quite el tornillo de tierra y la arandela y guárdelos.
2. **Corte la parte central de la cinta de tierra como se muestra en la figura 7. No deseche los tornillos.**
3. Afiance el alambre de tierra con el tronillo de tierra y la arandela.
4. Afiance los 3 alambres (L1, Neutral, L2) al perno del bloque de terminales correspondiente. Cerciórese de que el alambre central (blanco / neutral) se conecta al poste central del bloque de terminales. Apriete las 3 tuercas firmemente al bloque de terminales.
5. Diríjase a la página 8.

Conexión de 3 alambres conducto portacables

Instale el conducto portacables de la manera siguiente:

Quite la placa de conexión de conductos portacables de la parte posterior del cuerpo del cajón y déle vuelta como se muestra en la figura 8. Debe usarse el orificio de conducto portacables (1¹/₈" (3 cm)).

Primero prepare el cable del conducto portacables tal como se muestra en la figura 9.

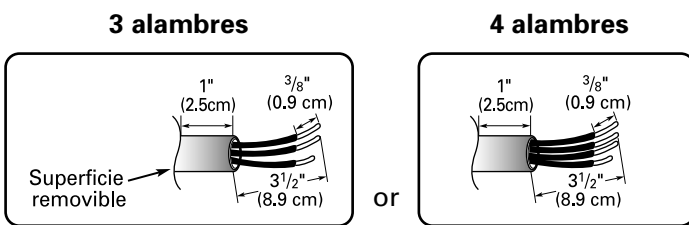


FIGURA 9

Seguidamente instale el cable del conducto portacables tal como se muestra en la figura 10.

Para las instalaciones de conducto portacables, compre un tensor de alivio e insértelo en el orificio del conducto portacables (1¹/₈" (2.9 cm)) Luego instale el cable del conducto portacables por el cuerpo del tensor de alivio y afiance el tensor de alivio usando su anillo. Vuelva a instalar la ménsula.

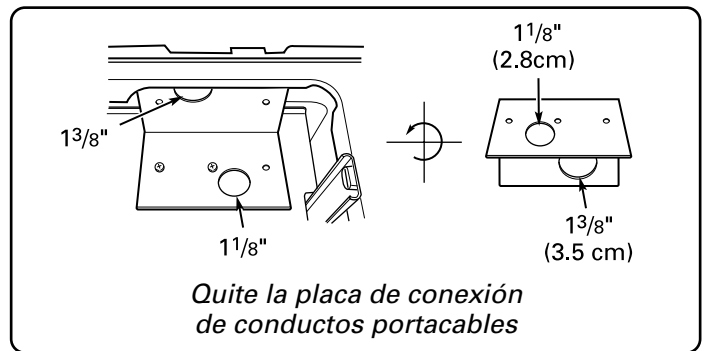


FIGURA 8

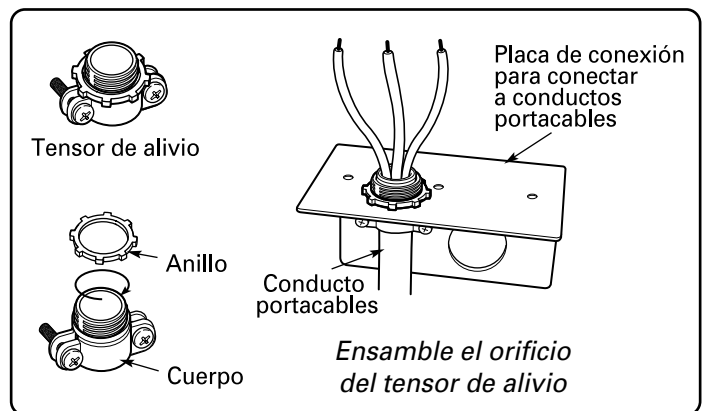


FIGURA 10

En tercer lugar conecte los alambres.

Si usa alambre desnudo, conecte con adaptadores de orejetas, como se muestra en las Figuras 11 y 12.

1. Inserte el extremo de cada alambre (L1, L2, Neutral) en cada orejeta. Apriete los tornillos de apriete.
2. Quite las 3 tuercas del bloque de terminales y guárdelas.
3. Afiance la orejeta con el alambre blanco (Neutral) al perno central del bloque de terminales.
4. Afiance la orejeta con el alambre negro (L2) al perno izquierdo del bloque de terminales.
5. Afiance la orejeta con el alambre rojo (L1) al perno derecho del bloque de terminales.
6. Apriete firmemente las 3 tuercas (que retiró anteriormente) al bloque de terminales.
7. Diríjase a la página 8.

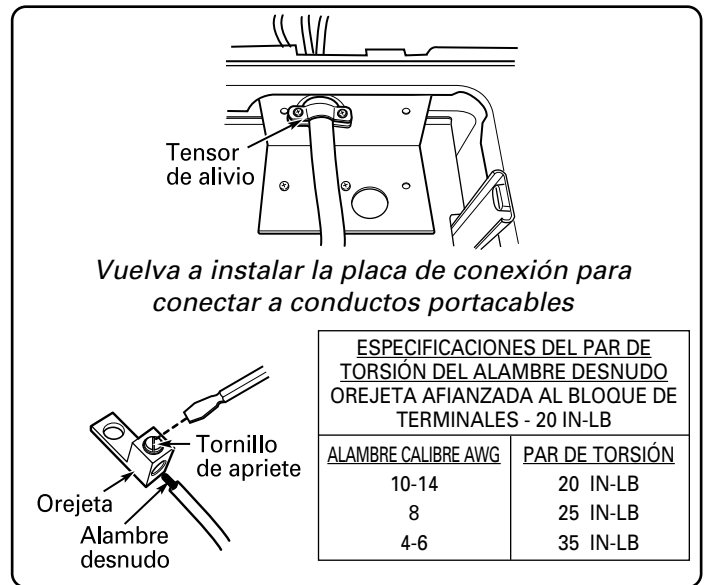


FIGURA 11

Conexión de 4 alambres conducto portacables

1. Para instalar correctamente el tensor de alivio, siga las instrucciones "Instale el cable de alimentación como sigue" en la página 6.

El conducto portacables deberá instalarse con un tensor de alivio.

2. **Corte la parte central de la cinta de tierra como se muestra en la figura 13.**

No deseche los tornillos.

Si usa alambre desnudo, conecte con adaptadores de orejetas, como se muestra en las Figuras 11 y 13.

3. Inserte el extremo del alambre verde (tierra) del conducto portacables en la orejeta y apriete el tornillo de apriete. Afiance la orejeta al orificio GND debajo del bloque de terminales con el tornillo de tierra (que retiró anteriormente).
4. Inserte el extremo de cada alambre (L1, L2, Neutral) en cada orejeta separada. Apriete el tornillo de apriete.
5. Quite las 3 tuercas del bloque de terminales. Quite el tornillo de tierra y guárdelo.
6. Afiance la orejeta con el alambre blanco (Neutral) al perno central del bloque de terminales.
7. Afiance la orejeta con el alambre negro (L2) al perno izquierdo del bloque de terminales.
8. Afiance la orejeta con el alambre rojo (L1) al perno derecho del bloque de terminales.
9. Apriete las 3 tuercas (que retiró anteriormente) firmemente al bloque de terminales.
10. Diríjase a la página 8.

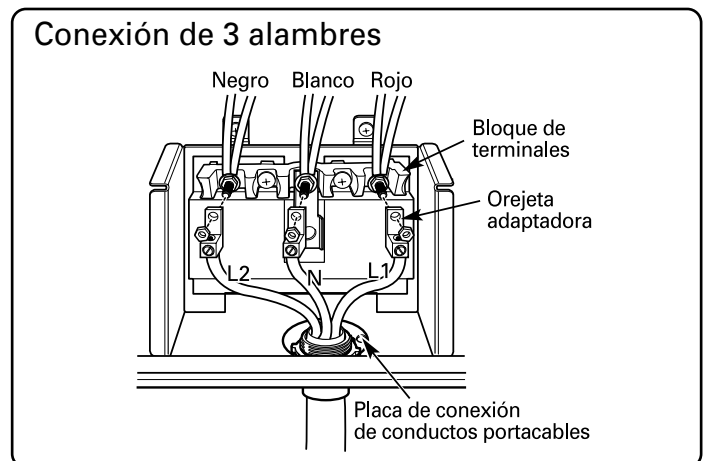


FIGURA 12

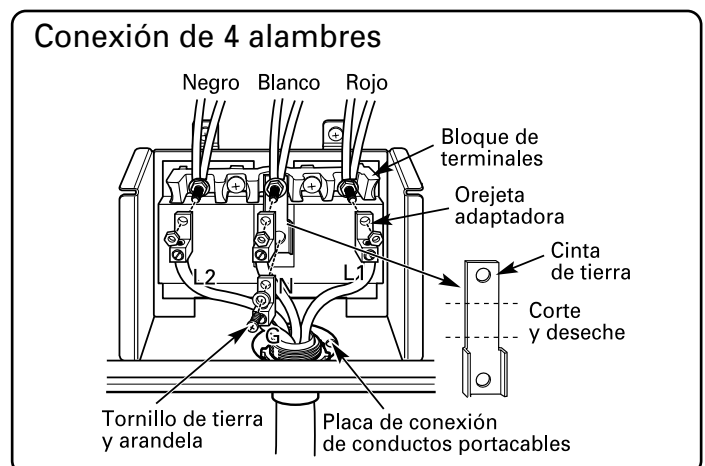
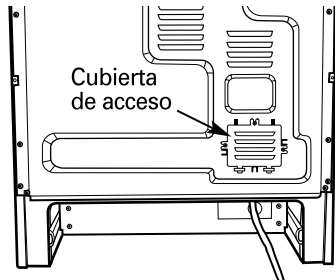


FIGURA 13

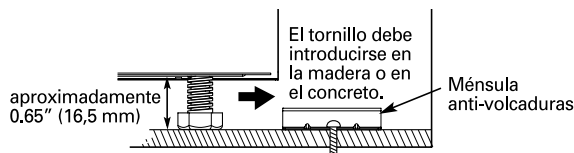
Reponga la cubierta de acceso en la parte posterior de la estufa. Para reponer la cubierta de alambre, inserte las salientes dobles en las cavidades ubicadas debajo de la abertura y apriete los tres tornillos.



5 INSTALACIÓN DEL DISPOSITIVO ANTI-VOLCADURAS

⚠ ADVERTENCIA

- Con el fin de reducir el riesgo de volcaduras, el artefacto deberá asegurarse usando los dispositivos anti-volcaduras provistos junto con el artefacto.
- Consulte las instrucciones para la instalación (provistas con la ménsula).
- Si no se instaló correctamente, la estufa podría volcarse si se pisa o se sienta en la puerta. Podrían producirse lesiones por el derrame de líquidos calientes o por la estufa misma.



Nota

Para la instalación de la ménsula anti-volcaduras, libere la pata niveladora. Se necesita una holgura de 0.65" (16.5 mm) entre el fondo de la estufa y el piso de la cocina.

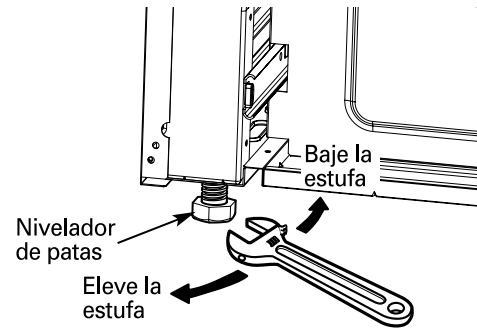
1. Ubique la ménsula utilizando la plantilla.

La plantilla viene empacada con cada ménsula anti-volcaduras. Las instrucciones incluyen la información necesaria para llevar a buen término la instalación.

Lea y obedezca el contenido de la hoja de instrucciones (plantilla) de la estufa.

2. Nivele la estufa

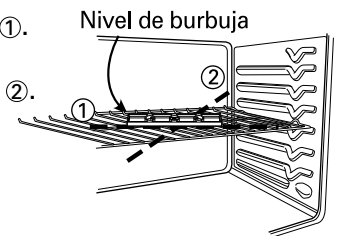
Nivele la estufa ajustando las patas niveladoras con una llave de tuercas.



Utilice un nivel de burbuja para verificar sus ajustes. Coloque el nivel en la parrilla del horno de la estufa en forma diagonal y verifique el nivel en cada dirección.

Primero verifique la dirección ①.

Después verifique la dirección ②.



Si el nivel de burbuja no muestra que la parrilla está nivelada, ajuste las patas niveladoras con una llave de tuercas.

6 INSTALACIÓN FINAL

- Acerque la estufa lo suficiente a la abertura para poder enchufarla en el tomacorriente.
- Acomode la estufa en su puesto cerciorándose de que la pata posterior izquierda se desliza debajo de la ménsula anti-volcaduras. Una vez que esté instalada correctamente, la estufa quedará a 0" de distancia de la pared trasera.
- Con cuidado, incline la estufa hacia adelante para comprobar que la ménsula anti-volcaduras engancha con el tirante posterior de la estufa e impide que la estufa se vuelque.
- Encienda la alimentación de energía eléctrica. Verifique que la estufa está orientada correctamente tal como se describe en el manual del propietario.

Free Manuals Download Website

<http://myh66.com>

<http://usermanuals.us>

<http://www.somanuals.com>

<http://www.4manuals.cc>

<http://www.manual-lib.com>

<http://www.404manual.com>

<http://www.luxmanual.com>

<http://aubethermostatmanual.com>

Golf course search by state

<http://golfingnear.com>

Email search by domain

<http://emailbydomain.com>

Auto manuals search

<http://auto.somanuals.com>

TV manuals search

<http://tv.somanuals.com>