



website: <http://us.lge.com>

☎ 1-800-243-0000

24 HOURS A DAY, 7 DAYS A WEEK FOR LG CUSTOMER SERVICE
para el Servicio LG (Atención al Cliente) 24 horas al día, 7 días a la semana

BOTTOM FREEZER REFRIGERATOR

Owner's Manual

**Please read this guide thoroughly
before operating and keep it handy for
reference at all times.**

REFRIGERADOR CON CONGELADOR INFERIOR

Manual de Usuario

**Lea detenidamente estas instrucciones antes de
usar el refrigerador y guárdelas como referencia
para el futuro.**

Models / Modelos

LFX23961**

P/No. MFL47277003

TABLE OF CONTENTS

English Version	2
French Version	36
Warranty (Canada)	3 - 4
Safety Instructions	5 - 6
Grounding Requirements	6
Parts and Features	7
Refrigerator Installation	8 - 14
Unpacking your refrigerator	8
Installation	8
Base Grille	8
Removing, Reversing and Replacing	9 - 11
Pull out drawer	12 - 13
Leveling and door alignment	14
Using your refrigerator	15 - 25
Ensuring proper air circulation	15
Multi Flow	15
Door alarm	15
Control Panel features	15
Setting the controls	16
Adjusting control settings	17
Food storage guide	18
Storing frozen food	18
Refrigerator Section	19
Refrigerator shelves	19
Chef Fresh	20
Crisper humidity control	20
Optibin Crisper	20
Crisper cover with lattice on inner surface	21
Design-A-Door	21
Dairy Bin	21
Egg Box	21
Freezer Section	22
Ice Bin	22
Wire Durabase	22
Tilting Door	22
Water Dispenser	23 - 24
Filter	24 - 25
In-door ice bin	25
Care and Cleaning	26 - 27
General cleaning tips	26
Outside	26
Inside walls	26
Door liner and gaskets	26
Plastic parts	26
Condenser coils	26
Light bulb replacement	26 - 27
Power interruptions	27
When you go on vacation	27
About the Custom Cube Ice Maker	28
Connecting the Water Line	29 - 31
Troubleshooting Guide	32 - 35

Visit our web site/<http://www.lgservice.com>

LG Electronics

LIMITED WARRANTY United States of America

LG Electronics will repair or at its option replace, without charge, your product which proves to be defective in material or workmanship under normal use during the warranty period listed below from the date of original purchase.

This warranty is good only to the original purchaser of the product during the warranty period as long as it is in the U.S. including Alaska, Hawaii, and U.S. Territories.

LG Refrigerator / Freezer Warranty Period

Product	Parts	Labor
Refrigerator / Freezer	1 year	1 year [In-Home Service (Except Model GR-051)]
Sealed System (Compressor, Condenser, Evaporator)	7 years	1 year [In-Home Service (Except Model GR-051)]

No other express warranty is applicable to this product. THE DURATION OF ANY IMPLIED WARRANTIES, INCLUDING THE IMPLIED WARRANTY OF MERCHANTABILITY, IS LIMITED TO THE DURATION OF THE EXPRESS WARRANTY HEREIN. LG ELECTRONICS SHALL NOT BE LIABLE FOR THE LOSS OF USE OF THE PRODUCT, INCONVENIENCE, LOSS OR ANY OTHER DAMAGES, DIRECT OR CONSEQUENTIAL, ARISING OUT OF THE USE OF OR INABILITY TO USE, THIS PRODUCT OR FOR ANY BREACH OF ANY EXPRESS OR IMPLIED WARRANTY, INCLUDING THE IMPLIED WARRANTY OF MERCHANTABILITY APPLICABLE TO THIS PRODUCT.

Some States do not allow the exclusion or limitation of incidental or consequential damages or limitations on how long an implied warranty lasts; so these limitations or exclusions may not apply to you. This warranty gives you specific legal rights and you may also have other rights which vary from state to state.

THE ABOVE WARRANTY DOES NOT APPLY TO:

1. Service trips to your home to deliver and pickup, install, instruct, or replace house fuses or correct house wiring or plumbing, or correction of unauthorized repairs.
2. Damage to the product caused by accident, pests, fire, floods, or acts of God.
3. Repairs when your LG product is used in other than normal, single-family household use.
4. Damage resulting from accident, alteration, misuse, abuse, or improper installation.
5. Damages caused during and/or after delivery
6. Display, discount, or refurbished units purchased with scratches, dents, or defects.

Proof of purchase is required and must be provided to LG in order to validate warranty.

Therefore, these costs are paid by the consumer.

If the product is installed outside the normal service area, any cost of transportation involved in the repair of the product, or the replacement of defective parts, shall be borne by the owner.

CUSTOMER ASSISTANCE NUMBERS:

To obtain Warranty Coverage:

Retain your Bill of Sale to prove date of purchase.

A Copy of your Sales Receipt must be submitted at the time warranty service is provided.

To obtain Product or Customer

Call 1-800-243-0000

(24 hrs a day, 7 days per week, 365 days per year)

Service Assistance:

Press the appropriate menu option, and have your product type (Refrigerator), model number, serial number, and ZIP/Postal Code ready.

**To obtain the nearest
Authorized Service Center:**

Call 1-800-243-0000

(24 hrs a day, 7 days per week, 365 days per year)

Press the appropriate option, and have your product type (Refrigerator), model number, serial number, and ZIP/Postal Code ready.

GARANTÍA LIMITADA

Estados Unidos de América

LG Electronics reparará o en su defecto reemplazará sin cargo, el producto defectuoso en material o mano de obra bajo uso normal durante el periodo de garantía que se menciona a continuación desde la fecha original de compra.

Esta garantía es válida solo para el comprador original del producto durante el periodo de garantía mientras permanezca en los E.E. U.U. Incluyendo Alaska, Hawaii y otros territorios de E.E.U.U.

Período de Garantía del refrigerador/Congelador LG

Producto	Partes	Mano de Obra
Refrigerador / Congelador	1 año	1 año [Servicio a domicilio (Excepto Modelo GR-051)]
Sistema Sellado (Compresor, Condensador, Evaporador)	7 años	1 año [Servicio a domicilio (Excepto Modelo GR-051)]

No se aplicará otro tipo de garantía a este producto. LA DURACION DE OTRAS GARANTIAS , INCLUYENDO LA DE COMPRA, ESTAN LIMITADAS A LA DURACION DE ESTA GARANTIA. LG ELECTRONICS NO SE HACE RESPONSABLE POR LA PERDIDA EN EL USO DEL PRODUCTO, POR INCONVENIENCIA O CUALQUIER OTRO DAÑO DIRECTO O CONSECUENTE QUE PROVENGA DEL USO Y/O NO USO DE ESTE PRODUCTO O POR ALGUNA VIOLACION A LAS GARANTIAS IMPLEMENTADAS INCLUYENDO LA GARANTIA DE COMPRA APLICADA A ESTE PRODUCTO.

Algunos estados no permiten la exclusión o limitación de daños incidentales o consecuenciales o limitaciones en cuanto al tiempo que dura una garantía implícita; por lo que algunas de estas limitaciones o exclusiones pueden no aplicarse a usted. Esta garantía le otorga derechos legales específicos y usted puede además tener otros derechos los cuales varían de Estado a Estado.

LA GARANTIA ANTERIOR NO APLICA A :

1. Servicio a su casa para entregar, recoger, instalar o reemplazar fusibles caseros, corregir cableado casero o plomería corrección de reparaciones no autorizadas.
 2. Daño al producto causado por accidente, plagas, incendios, inundaciones o actos por naturaleza.
 3. Reparaciones cuando su producto LG sea usado diferente a lo normal.
 4. Daño resultante de accidente, alteración, mal uso o instalación inadecuada.
 5. Daños causados durante y después de la entrega.
 6. Reemplazo, descuento o restauración de unidades compradas con rayones, abolladuras o defectos.
- La prueba de la compra se requiere y se debe proporcionar a LG para validar la garantía.

Por lo tanto, estos costos serán pagados por el consumidor.

Si el producto es instalado fuera del área normal de servicio, cualquier costo de transportación relacionado en la reparación del producto, o el reemplazo de partes defectuosas, serán cargados al propietario.

NÚMEROS DE ASISTENCIA AL CLIENTE:

Para obtener cobertura de la Garantía:	Conserve su factura para comprobar la fecha de compra. Una copia de su recibo de compra debe ser entregada cuando se le proporcione el servicio de garantía.
Para obtener información:	Llame al 1-800-243-0000 (24 hrs al día, 7 días por semana, 365 días al año)
Servicio de Asistencia:	Presione la opción de menú apropiado, y tenga su tipo de producto (Refrigerador), número de modelo, número de serie, y ZIP Código Postal listos.
Para obtener el Centro de Servicio Autorizado más cercano:	Llame al 1-800-243-0000 (24 hrs al día, 7 días por semana, 365 días al año) Presione la opción adecuada, y tenga su tipo de producto (Refrigerador), número de modelo, número de serie, y ZIP /código Postal listos.

IMPORTANT SAFETY INSTRUCTIONS

SAFETY MESSAGES

This guide contains many important safety messages. Always **read and obey** all safety messages.



This is the safety alert symbol. It alerts you to safety messages that inform you of hazards that can kill or Hurt you or others, or cause damage to the product.

All safety messages will be preceded by the safety alert symbol and the hazard signal word DANGER, WARNING, CAUTION. These words mean:

⚠ DANGER

You **will** be killed or seriously injured if you don't follow instructions.

⚠ WARNING

You **can** be killed or seriously injured if you don't follow instructions.

⚠ CAUTION

Indicates an imminently hazardous situation which, if not avoided, **may** result in minor or moderate injury, or product damage only.

All safety messages will identify the hazard, tell you how to reduce the chance of injury, and tell you what can happen if the instructions are not followed.

⚠ WARNING

To reduce the risk of fire, electric shock, or injury to persons when using your product, basic safety precautions should be followed, including the following:

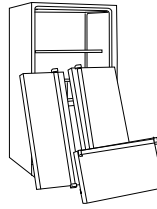
- NEVER unplug your refrigerator by pulling on the power cord. Always grip the plug firmly and pull it straight out from the outlet.
- Repair or replace immediately all electric service cords that have become frayed or otherwise damaged. Do not use a cord that shows cracks or abrasion damage along its length or at either the plug or connector end.
- When moving your refrigerator away from the wall, be careful not to roll over or damage the power cord.
- DO NOT store or use gasoline or other flammable vapors and liquids in the vicinity of this or any other appliance.
- DO NOT allow children to climb, stand or hang on the refrigerator doors or shelves in the refrigerator. They could damage the refrigerator and seriously injure themselves.
- Keep fingers out of "pinch point" areas; clearances between the doors and cabinet are necessarily small. Be careful when you open the doors when children are in the area.
- Unplug your refrigerator before cleaning or making any repairs. NOTE: We strongly recommend that any servicing be performed by a qualified individual.
- Before replacing a burned-out light bulb, unplug the refrigerator or turn off power at the circuit breaker or fuse box in order to avoid contact with a live wire filament. (A burned-out light bulb may break when being replaced.)
NOTE Setting: either or both controls to the OFF position does not remove power to the light circuit.
- Do not store bottles in the freezer compartment - they may break when frozen, causing damage.

- The refrigerator-freezer should be so positioned that the supply plug is accessible for quick disconnection when accident happens.
- For personal safety, this appliance must be properly grounded. Have the wall outlet and the circuit checked by a qualified electrician to make sure the outlet is properly grounded.
- Read all instructions before using this appliance.
- Use this appliance only for its intended purpose as described in this use and care guide.
- After your refrigerator is in operation, do not touch the cold surfaces in the freezer compartment when hands are damp or wet. Skin may adhere to the extremely cold surfaces.
- In refrigerators with automatic icemakers, avoid contact with the moving parts of the ejector mechanism, or with the heating element that releases the cubes. DO NOT place fingers or hands on the automatic icemaking mechanism while the refrigerator is plugged in.
- DO NOT refreeze frozen foods which have thawed completely. The United States Department of Agriculture in Home and Garden Bulletin No. 69 says:
"...You may safely refreeze frozen foods that have thawed if they still contain ice crystals or if they are still cold below 40°F (4°C)."
"...Thawed ground meats, poultry, or fish that have any off-odor or off-color should not be refrozen and should not be eaten. Thawed ice cream should be discarded. If the odor or color of any food is poor or questionable, get rid of it. The food may be dangerous to eat."
"Even partial thawing and refreezing reduces the eating quality of foods, particularly fruits, vegetables and prepared foods. The eating quality of red meats is affected less than that of many other foods. Use refrozen foods as soon as possible to Save as much of their quality as you can."

SAVE THESE INSTRUCTIONS

⚠ DANGER: RISK OF CHILD ENTRAPMENT

Child entrapment and suffocation are not problems of the past. Junked or abandoned refrigerators are still dangerous... even if they will sit for "just a few days". If you are getting rid of your old refrigerator, please follow the instructions at right to help prevent accidents.



BEFORE YOU THROW AWAY YOUR OLD REFRIGERATOR OR FREEZER

- Take off the doors.
- Leave the shelves in place so that children may not easily climb inside.

CFC DISPOSAL

Your old refrigerator may have a cooling system that used CFCs (chlorofluorocarbons). CFCs are believed to harm stratospheric Ozone.

This appliance contains fluid (refrigerant, lubricant), is made of parts and materials which are reusable and / or recyclable. All the important materials should be sent to the collection center of waste material and can be reused after rework (recycling). For take back, please contact with the local agency.

If you are throwing away your old refrigerator, make sure the CFC refrigerant is removed for proper disposal by a qualified servicer. If you intentionally release this CFC refrigerant, You can be subject to fines and imprisonment under provisions of environmental legislation.

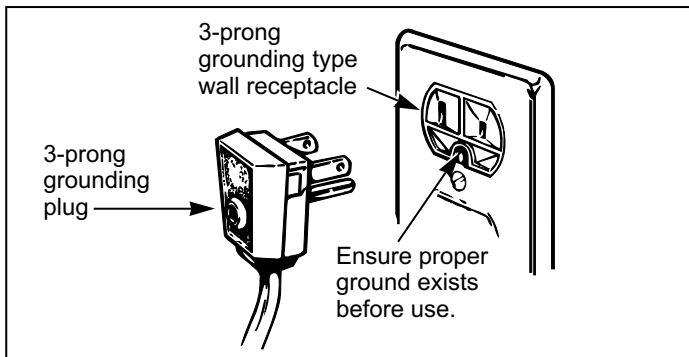
GROUNDING REQUIREMENTS

IMPORTANT: Please read carefully.
TO CONNECT ELECTRICITY

⚠ WARNING

Electrical Shock Hazard

FOR PERSONAL SAFETY, this appliance must be properly grounded. Have the wall outlet and the circuit checked by a qualified electrician to make sure the outlet is properly grounded.



RECOMMENDED GROUNDING METHOD

The refrigerator should always be plugged into its own individual properly grounded electrical outlet rated for 115 Volts, 60 Hz, AC only, and fused at 15 or 20 amperes. This provides the best performance and also prevents overloading house wiring circuits which could cause a fire hazard from overheated wires. It is recommended that a Separate circuit serving only this appliance be provided.

Use a receptacle which cannot be turned off with a switch or pull chain. Do not use an extension cord.

Where a standard two-prong wall outlet is encountered, it is your personal responsibility and obligation to have it replaced with a properly grounded three-prong wall outlet.

Do not, under any circumstances, cut or remove the third (Ground) prong from the power cord.

NOTE: Before performing any type of installation, cleaning, or removing a light bulb, turn the control (Thermostat, Refrigerator Control or Freezer Control, depending on the model) to OFF and then disconnect the refrigerator from the electrical source. When you are finished, reconnect the refrigerator to the electrical source and reset the control (Thermostat, Refrigerator Control or Freezer Control, depending on the model) to the desired setting.

USE OF EXTENSION CORDS

Because of potential safety hazards under certain conditions, we strongly recommend against the use of an extension cord. However, if you still elect to use an extension cord, it is absolutely necessary that it be a UL-listed (in the United States), 3-wire grounding type appliance extension cord having a grounding type plug and outlet, and that the electrical rating of the cord be 15 amperes (minimum) and 120 volts.

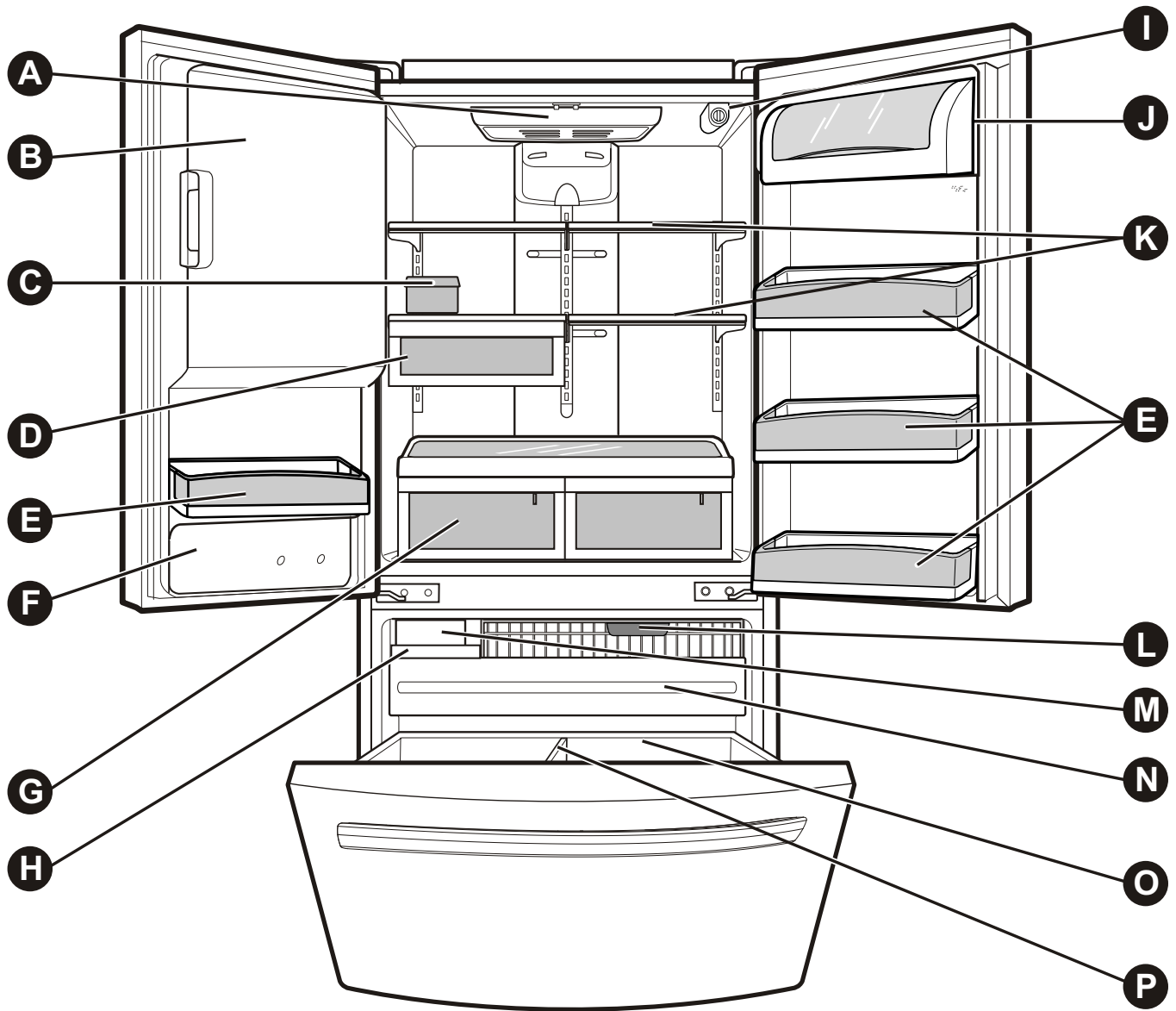
Use of an extension cord will increase the clearance needed for the back of the refrigerator.

⚠ WARNING

POWER CORD REPLACEMENT

If the power cord is damaged, it must be replaced by the manufacturer, by our service center or by qualified personal by LG Electronics, to avoid some risk.

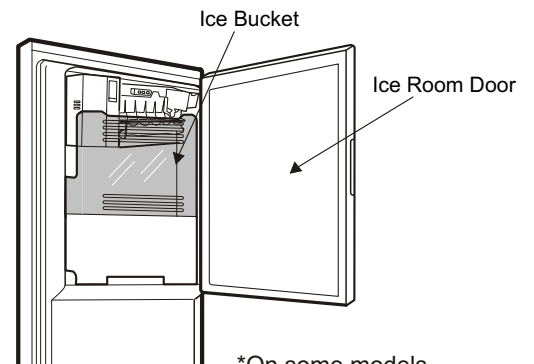
PARTS AND FEATURES



Use this page to become more familiar with the parts and features. Page references are included for your convenience.

NOTE: This guide covers several different models. The refrigerator you have purchased may have some or all of the items listed below. The locations of the features shown below may not match your model.

- A** Refrigerator Light
- B** Ice Room
- C** Egg Box
- D** Snack Pan
- E** Modular Door Bins
- F** Water Tank Cover
- G** Crisper
- H** Ice Bin
- I** Filter (Inside)
- J** Dairy Bin
- K** Refrigerator Shelves
- L** Freezer Light
- M** Turbo Motor
- N** Glide out Drawer
- O** Durabase
- P** Divider



*On some models

REFRIGERATOR INSTALLATION

⚠ WARNING

Excessive Weight Hazard

Use two or more people to move and install refrigerator.
Failure to do so can result in back or other injury.

UNPACKING YOUR REFRIGERATOR

Remove tape and any temporary labels from your refrigerator before using. Do not remove any warning-type labels, the model and serial number label, or the techsheet (on some models), that is attached to back wall of the refrigerator.

To remove any remaining tape or glue, rub the area briskly with your thumb. Tape or glue residue can also be easily removed by rubbing a small amount of liquid dish soap over the adhesive with your fingers. Wipe with warm water and dry.

Do not use sharp instruments, rubbing alcohol, flammable fluids or abrasive cleaners to remove tape or glue. These products can damage the surface of your refrigerator. For more information, see the **Important Safety Instructions** section.

Refrigerator shelves are installed in the shipping position.

Please reinstall shelves according to your individual storage needs.

When Moving Your Refrigerator:

Your refrigerator is heavy. When moving the refrigerator for cleaning or service, be sure to protect the floor. Always pull the refrigerator straight out when moving it. Do not wiggle or walk the refrigerator when trying to move it, as floor damage could occur.

⚠ WARNING



Explosion Hazard

Keep flammable materials and vapors, such as gasoline, away from refrigerator.

Failure to do so can result in death, explosion or fire.

INSTALLATION

1. Avoid placing the unit near heat sources, direct sunlight, or moisture.
2. To avoid vibration, the unit must be level. If required, adjust the leveling screws to compensate for unevenness of the floor. The front should be slightly higher than the rear to aid in door closing. Leveling screws can be turned easily by tipping the cabinet slightly. Turn the leveling screws clockwise (➡) to raise the unit, counterclockwise (↩) to lower it.

3. Install this appliance in an area where the temperature is between 55°F (13°C) and 110°F (43°C.) If the temperature around the appliance is too low or high, cooling ability may be adversely affected.

⚠ **CAUTION:** Avoid placing the unit near heat sources, direct sunlight or moisture.

NEXT

1. Clean your refrigerator thoroughly and wipe off all dust accumulated during shipping.
2. Install accessories such as ice cube bin, drawers, shelves, etc., in their proper places. They are packed together to prevent possible damage during shipment.
3. Let your refrigerator run for 2 or 3 hours before putting food in it. Check the flow of cold air in the freezer compartment to ensure proper cooling. Your refrigerator is now ready for use.

⚠ WARNING:

- Be careful when you work with hinge, base grille, stopper, etc. you may be injured.
- Do not put hands or metal sticks into air vents, base grille, or bottom of refrigerator. You may be injured or receive an electrical shock.

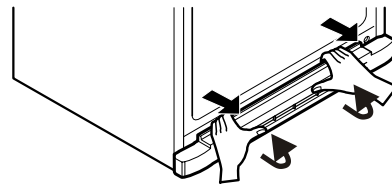
BASE GRILLE

To remove the base grille:

1. Grasp the grille with both hands.
2. Pull the grille toward yourself.

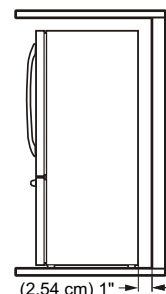
To install the base grille:

1. Place clips in openings in the metal panel.
2. Push the grille toward the refrigerator until it snaps into place.



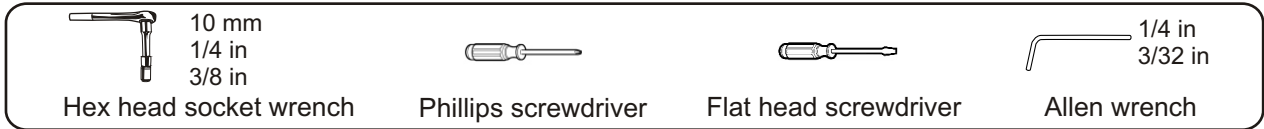
A proper distance from adjacent items

Please keep the refrigerator at a proper distance from other things. Too small a distance from adjacent items may result in lowered freezing capability and increased electricity consumption charges.



REFRIGERATOR INSTALLATION

TOOLS YOU MAY NEED

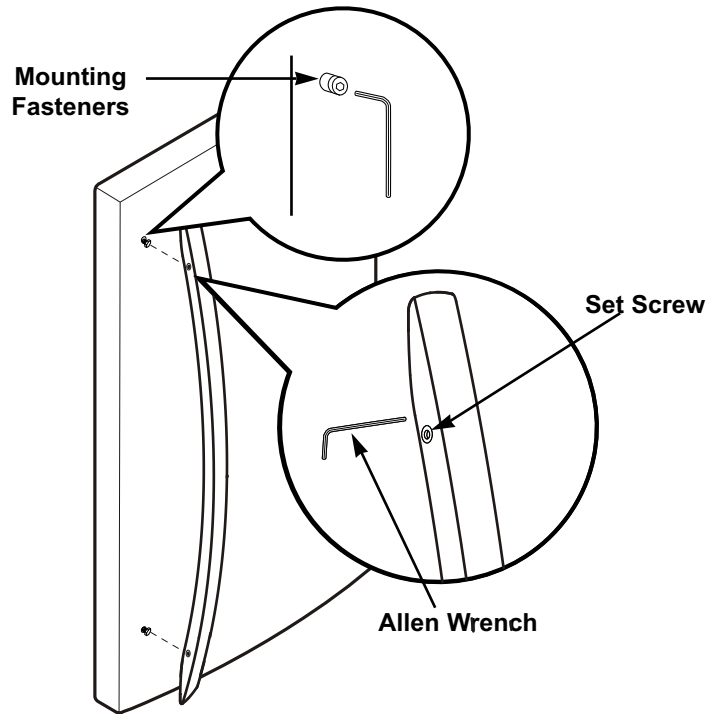


To move refrigerator through a house door, it may be necessary to remove refrigerator and freezer door handles.

NOTE: Handle appearance may vary from illustrations on this page.

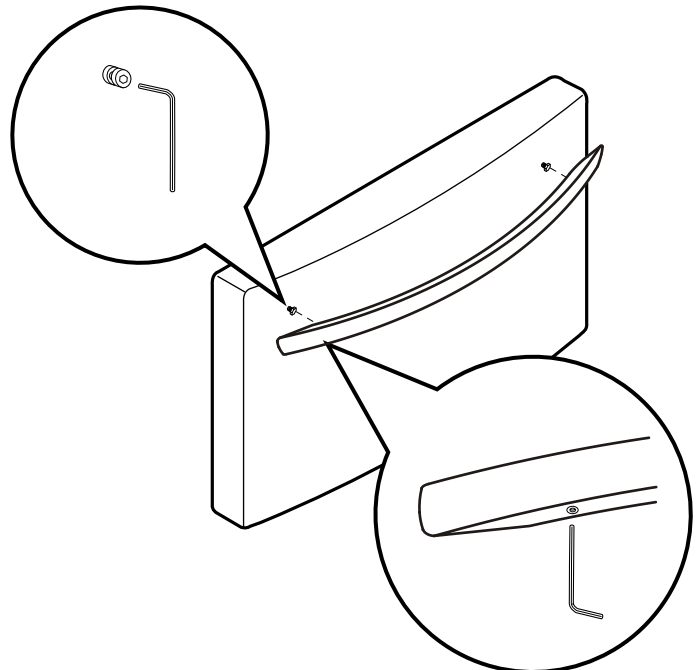
1. Removing Refrigerator Handle

- Loosen the set screws with the 3/32" Allen wrench and remove the handle.
- NOTE:** If the handle mounting fasteners need to be tightened or removed, use a 1/4" Allen wrench.



2. Removing Freezer Drawer Handle

- Loosen the set screws located on the lower side of the handle with the 3/32" Allen wrench and remove the handle.
- NOTE:** If the handle mounting fasteners need to be tightened or removed, use a 1/4" Allen wrench.



REFRIGERATOR INSTALLATION

REMOVING REFRIGERATOR DOORS

1. Removing Refrigerator Door

NOTE: Handle appearance may vary.

IMPORTANT: Before you begin, turn the refrigerator OFF and unplug it. Remove food and any bins from doors.

► Left Door

- Loosen the screws and remove the cove on back side (see figure A).
- Disconnect water supply tube by pushing back on the disconnect ring (3).
- Loosen the cover screw (1).
- Disconnect door switch wire (2).
- Pull out the tube (4).

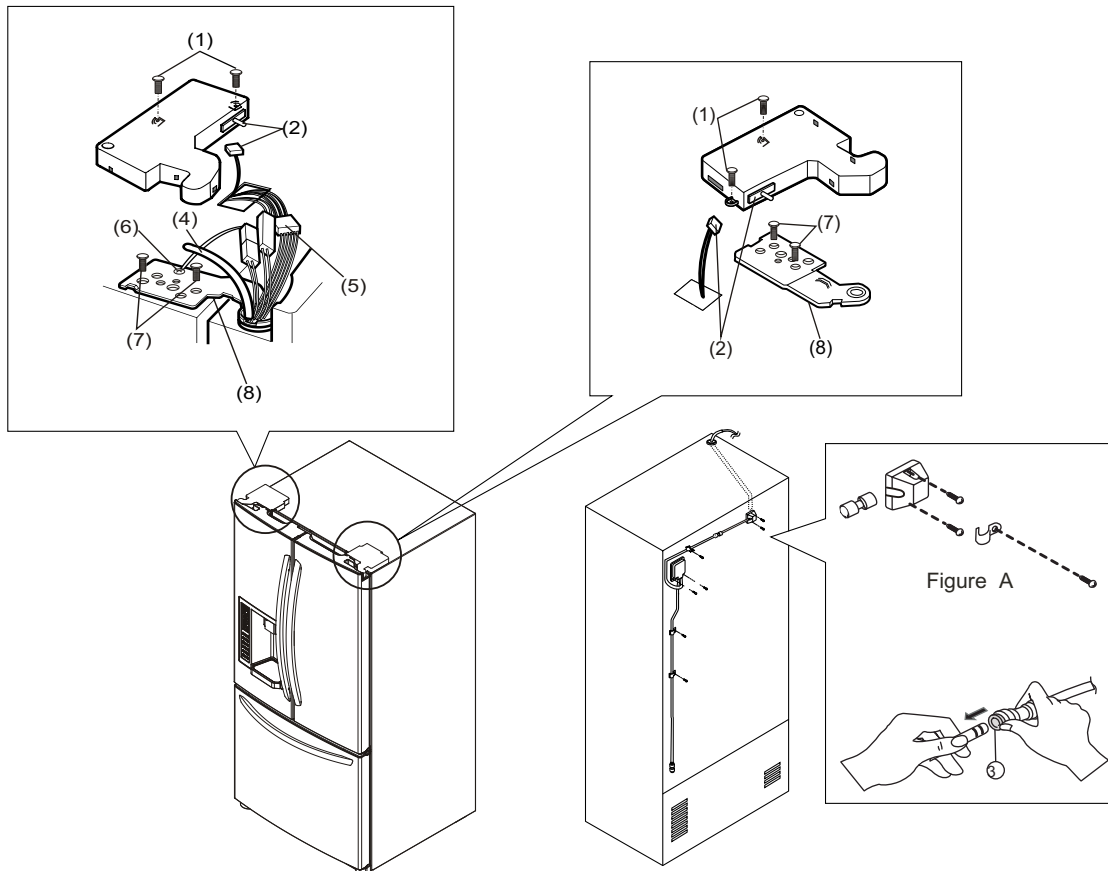
⚠ CAUTION: If a tube end is deformed or worn out, cut the damaged portion away.

- Disconnect wire harness (5).
- Remove the ground screw (6).
- Loosen screws (7) and lift off the top hinge (8).
- Place the door on a non-scratching surface with the inside up.

⚠ CAUTION: When removing top hinge, be careful that the door does not fall forward.

► Right Door

- Loosen the cover screw (1).
- Disconnect door switch wire (2).
- Loosen screws (7) and lift off the top hinge (8).
- Place the door on a non-scratching surface with the inside up.



REFRIGERATOR INSTALLATION

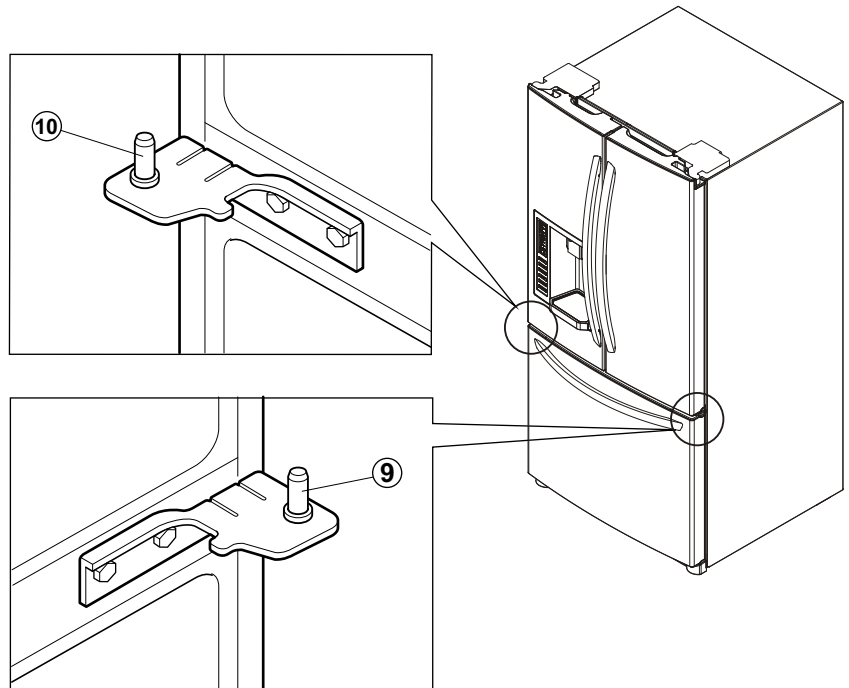
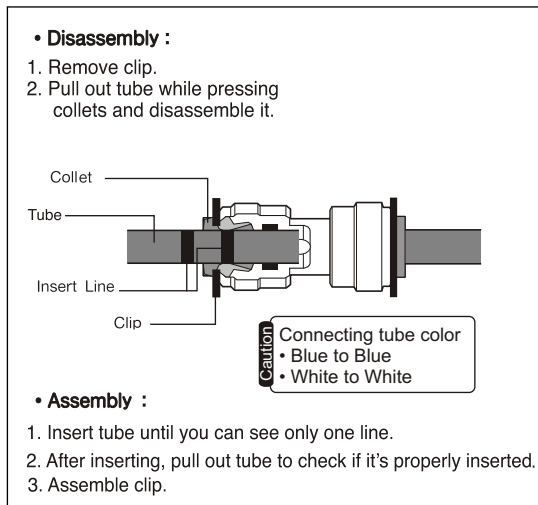
2.Replacing Refrigerator Door

► Right Door

- Lower the door onto the middle hinge pin (9). Make sure the door is aligned with the cabinet.
- Replace the top hinge (8) installing hinge screws (7) to secure it.
- Make sure the gasket on the door is flush against the cabinet and is not folded. Support the door on the handle side while securing hinge. Make sure the door is straight and the gap between the doors is even.
- Connect the door switch wire (2).
- Tighten the cover screw (1).

► Left Door

- Lower the door onto the middle hinge pin (10). Make sure the door is aligned with the cabinet.
- Replace the top hinge (8) installing hinge screws (7) to secure it.
- Make sure the gasket on the door is flush against the cabinet and is not folded. Support the door on the handle side while tightening. And make sure the door is straight and the gap between the doors is even.
- Insert the water supply tube (4) into the connector tube until you see only one scale mark.
(Fully insert the tube over 5/8" (15 mm)).
- Install the ground screw (6) and connect the wire harness (5).
- Connect the door switch wire (2).
- Tighten the cover screw (1).



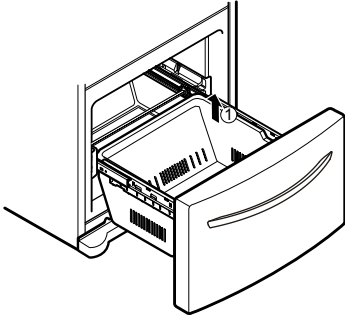
REFRIGERATOR INSTALLATION

HOW TO REMOVE AND INSTALL THE PULLOUT DRAWER

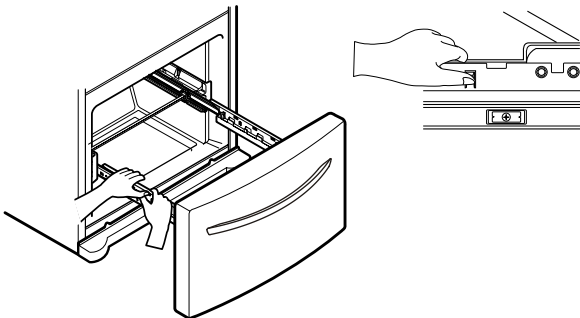
IMPORTANT: To avoid possible injury, product or property damage, you will need two people to perform the following instructions.

1. Removing Pullout Drawer

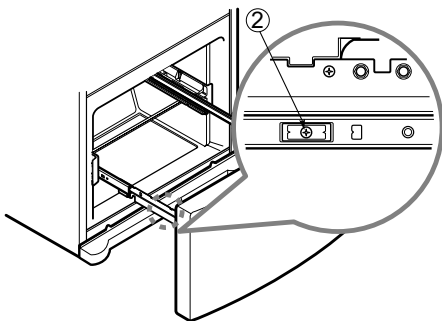
- Pull the drawer open to full lower extension. Remove the lower basket (1) by lifting basket from rail system.



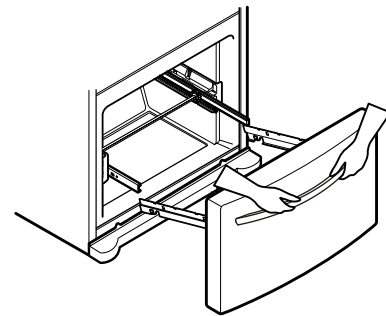
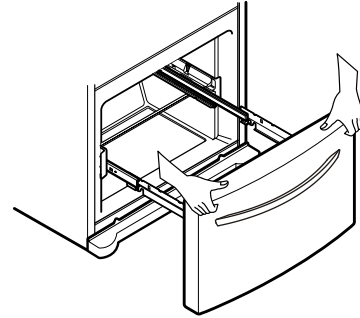
- Press both hangers with your thumbs to lift it up.
- Separate the left and right rail cover



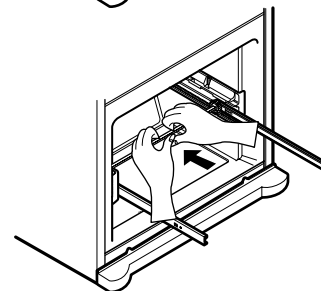
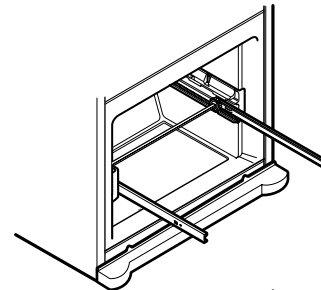
- Remove the screws (2) of the rail on both sides.



- With both hands, hold both sides of the door and pull it up to separate it from the rails.



- With both hands, hold the center of the bar and push it in to let both rails fitted simultaneously.



⚠ CAUTION: When you remove the drawer, do not hold handle. If it comes off, it could cause personal injury.

⚠ CAUTION: When laying down the drawer, be careful not to damage the floor or hurt your feet by the sharp edges on hinge side.

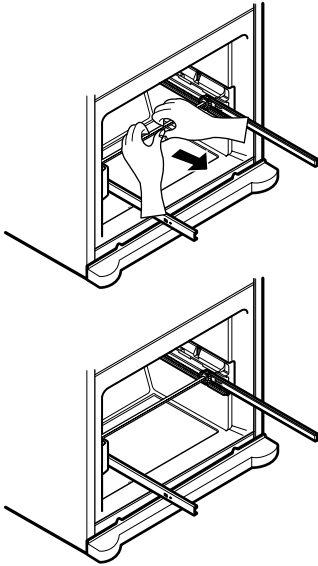
REFRIGERATOR INSTALLATION

HOW TO REMOVE AND INSTALL THE PULL OUT DRAWER

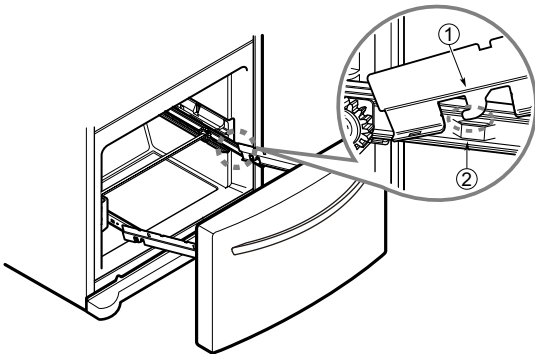
IMPORTANT: To avoid possible injury or product or property damage, you will need two people to perform the following instructions.

2. Installing Pullout Drawer

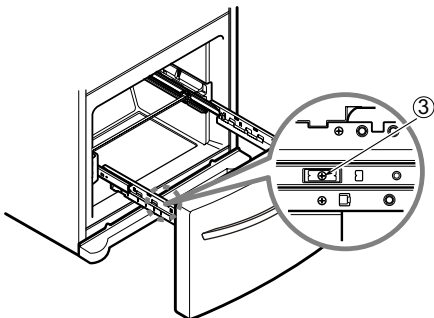
- With both hands, hold the center of the bar and pull it out to let both rails out to full extension simultaneously.



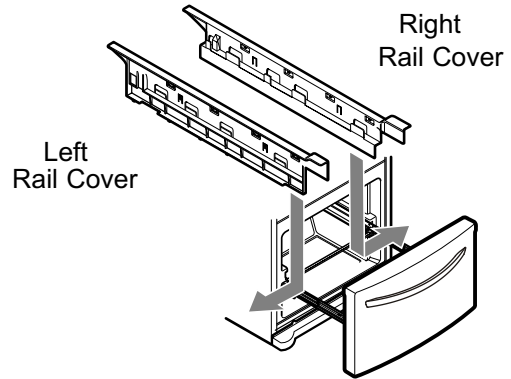
- Hook door supports (1) into rail tabs (2) .



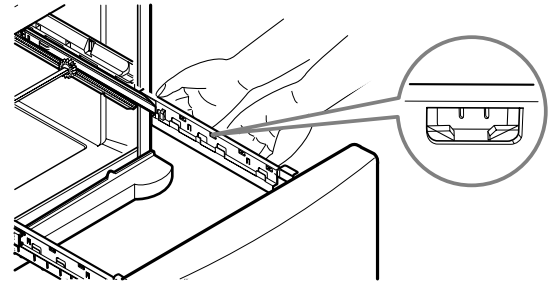
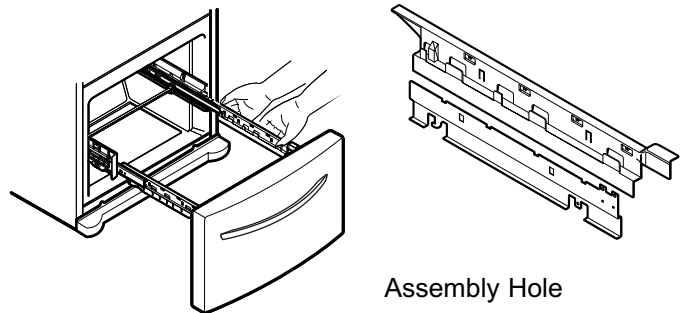
- Lower door into final position and tighten the screws (3)



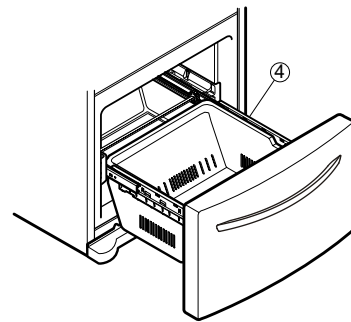
- Make sure you have a right rail cover for each side.



- Align the top holes of the rail cover with the top holes of the door supports to assemble the rail cover.



- With the drawer pulled out to full extension, insert the lower basket (4) in the rail assembly.



⚠ WARNING: To prevent accidental child and pet entrapment or suffocation risk. DO NOT allow them to play inside of drawer.

⚠ WARNING: DO NOT step or sit down on Freezer Door.

REFRIGERATOR INSTALLATION

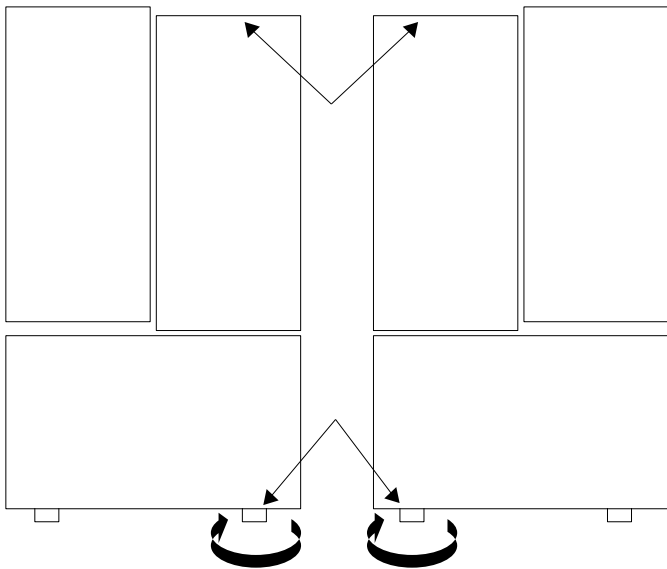
LEVELING AND DOOR ALIGNMENT

Leveling

Your refrigerator has two front leveling screws, one on the right and one on the left. If your refrigerator seems unsteady or you want the doors to close easier, adjust the refrigerator's tilt using the instructions below:

1. Plug the refrigerator's power cord into a 3-prong grounded outlet. Move the refrigerator into its final position.
2. Turn the leveling screw clockwise to raise that side of the refrigerator or counterclockwise to lower it. It may take several turns of the leveling screw to adjust the tilt of the refrigerator.

NOTE: Having someone push against the top of the refrigerator takes some weight off the leveling screws. This makes it easier to adjust the screws.



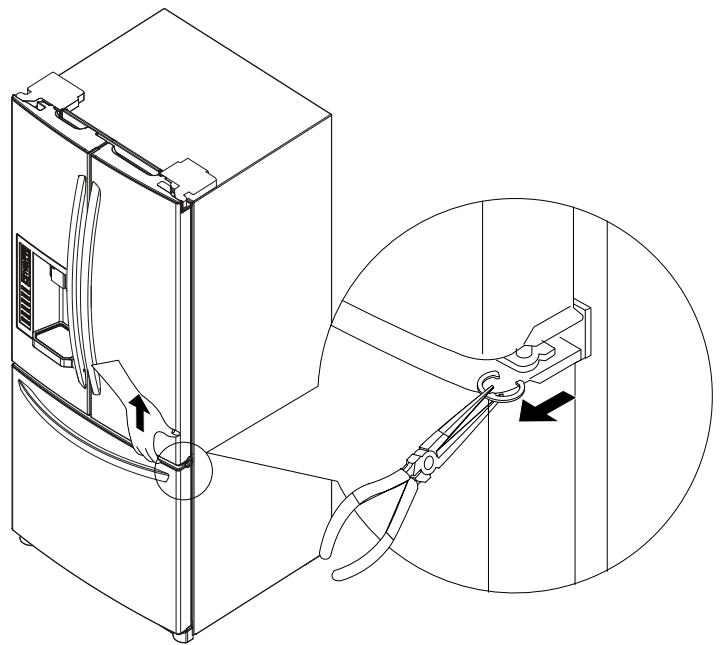
3. Open both doors again and check to make sure that they close easily. If not, tilt the refrigerator slightly more to the rear by turning both leveling screws clockwise. It may take several more turns, and you should turn both leveling screws the same amount.
4. Re-adjust if necessary.
5. Replace the base cover.

NOTE: Your new refrigerator is uniquely designed with two fresh food doors. Either door can be opened or closed independently of one another. You may have to exert slight pressure on doors to get them to close completely.

Door Alignment

If the space between your doors is uneven, follow the instructions below to align the doors:

1. With one hand, lift up the door you want to raise at middle hinge.
2. With other hand, use pliers to insert snap ring as shown.
3. Insert additional snap rings until the doors are aligned. (Three snap rings are provided with unit.)



USING YOUR REFRIGERATOR

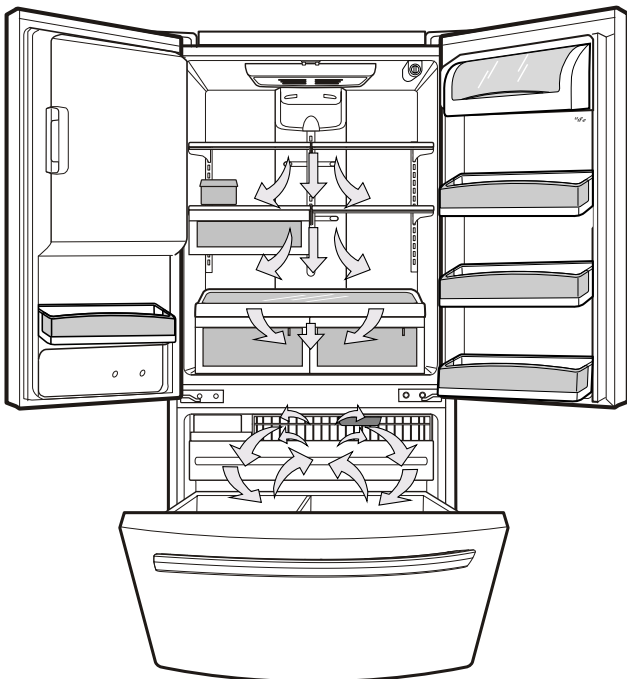
ENSURING PROPER AIR CIRCULATION

In order to ensure proper temperatures, air must flow between the refrigerator and freezer sections. As shown in the illustration below, air enters at top of freezer and circulates down. From bottom of freezer, air is forced up to top of refrigerator. Air enters refrigerator through top vent, then circulates and exits at bottom, where it returns to freezer.

MULTI-FLOW

Multi-Flow means powerful and effective cooling operation. This is especially noticeable when new food is placed in the refrigerator compartment.

If water or foreign substances enter the cool air vent while cleaning, efficiency will be lowered. In addition, if the gasket is damaged, efficiency may be lowered because of escaping cool air.



Do not block any of cool air vents with food packages. If the vents are blocked, airflow will be interrupted and temperature and moisture problems may occur.

IMPORTANT: Because air circulates between both sections, Any odors formed in one section will transfer to the other. You must thoroughly clean both sections to eliminate odors. To prevent odor transfer and drying out of food, wrap or foods tightly. (See the Food Storage Guide section for details).

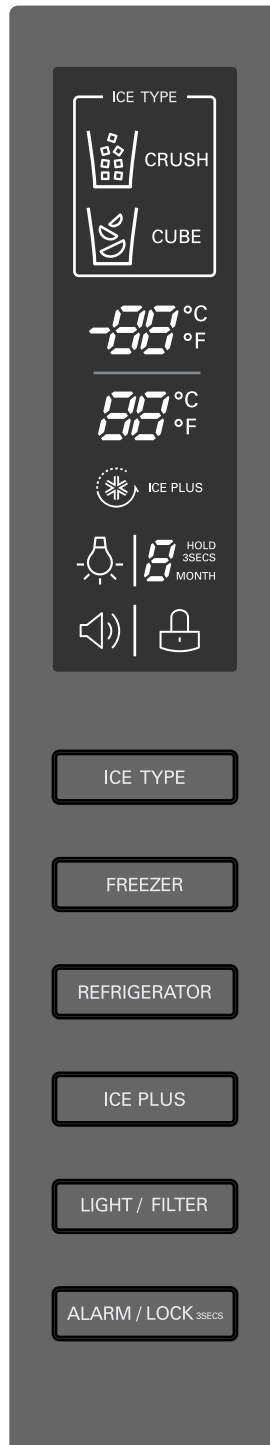
DOOR ALARM

With this feature you'll listen a alarm when the freezer or refrigerator door is not closed within 1 minute after it is opened. These tones repeat every 30 seconds.

The alarm is cancelled when the freezer or the refrigerator is closed correctly.

CONTROL PANEL FEATURES

Press the button for the desired function to review and select other settings. For complete details on button functions see pages 16-17.



• LED DISPLAY

The LED display shows the temperature settings, dispenser options, and the water filter, door alarm, and locking status messages.

• ICE TYPE

The ICE TYPE is used to select cube ice or crushed ice.

• FREEZER

Press the FREEZER button to adjust the temperature in the freezer compartment.

• REFRIGERATOR

Press the REFRIGERATOR button to adjust the temperature in the refrigerator compartment.

NOTE: When pressed simultaneously with the FREEZER button for more than five seconds, the temperature display will change from Fahrenheit to Celsius or vice versa.

• ICE PLUS

Press this button to turn on the ICE PLUS. Feature, which increases ice making capabilities up to about 20 percent.

• LIGHT/FILTER

The LIGHT/FILTER button controls the lamp in the dispenser. The FILTER/FILET button resets the water filter replacement indicator when the water filter has been replaced.

• ALARM/LOCK

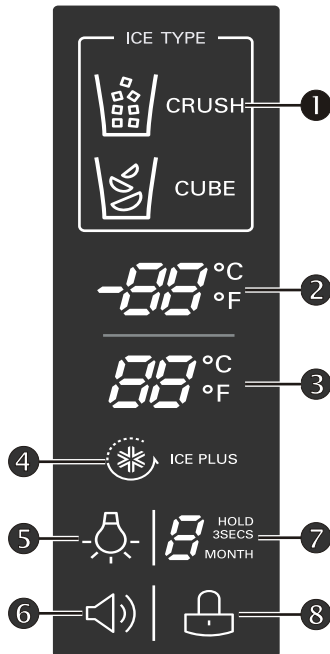
Press this button to control the door-open alarm. Press this button to lock or unlock all the other function buttons on the control panel, including operation of the dispenser.

Display Off Mode: To activate energy save mode press and hold ICE PLUS and FREEZER key over 5 seconds until the lights turn off. If the Display is touched or any door opens the lights will turn on and after 20 seconds of inactivity the lights will turn off automatically. To exit Display OFF Mode press and hold ICE PLUS and FREEZER key over 5 seconds until the lights tilt. Display Energy Save Mode does not affect the temperature control settings of the unit.

USING YOUR REFRIGERATOR

SETTING THE CONTROLS

The LED display shows the temperature settings, dispenser options, and the water filter, door alarm, and locking status messages.



- 1 Dispenser selection indicator**
Shows cubed ice or crushed ice selection that will be dispensed when the push switch is pressed.
- 2 Freezer temperature**
Indicates the set temperature of the freezer compartment in Celsius or Fahrenheit.
- 3 Refrigerator temperature**
Indicates the set temperature of the refrigerator compartment in Celsius or Fahrenheit.
- 4 Ice Plus**
When the ICE PLUS button is pressed, the display will indicate the selected function has been activated.
- 5 Dispenser light indicator**
When the LIGHT button is pressed, the display will indicate the selected function: The dispenser light is on, this indicator will appear on the display panel.
- 6 Door alarm indicator**
This indicator shows that the door-open warning alarm is activated.
- 7 Water filter status**
This indicator shows the current status for the water filter. See the filter indicator.
- 8 Lock status**
This indicator shows the current status for the control panel functions is set to LOCK.

ADJUSTING THE TEMPERATURES AND DISPLAY

Adjust Freezer Temperature

To adjust the temperature in the freezer compartment, press the FREEZER button to cycle through the range of available settings.



0 °F

Adjust Refrigerator Temperature

To adjust the temperature in the refrigerator compartment, press the REFRIGERATOR button to cycle through the range of available settings.



37 °F

NOTE: The actual inner temperature varies depending on the food status, since the indicated temperature setting is the target temperature and not the actual temperature within the refrigerator. Initially set the REFRIGERATOR CONTROL at 37°F (3°C). Leave it at this setting for 24 hours (one day) to stabilize. Then adjust the compartment temperature as illustrated above.

Temperature Display

To change the temperature display from Fahrenheit to Celsius:

- Simultaneously press and hold the FREEZER and REFRIGERATOR buttons for more than 5 seconds.
- DO the same to convert back to Fahrenheit.

OPERATING THE DISPENSER



Dispensing Crushed Ice

Press the ICE TYPE button to illuminate the Crushed and Cubed Ice icon.



Press the push switch with a glass or other container and crushed ice will be dispensed.



Press the push switch with a glass or other container and cubed ice will be dispensed.

NOTE: Hold the glass or other container in place for a couple of seconds after dispensing ice or water to catch the last few cubes or drops. The dispenser is designed not to operate while either refrigerator door is open.

DISPENSING WATER



Press the push water switch or activate water button with a glass or other container and chilled water will be dispensed.

When the water switch or water button is pressed, the light will be illuminated.

USING YOUR REFRIGERATOR

LIGHT / FILTER



Press the LIGHT/FILTER button to turn the dispenser light on and off.

6 HOLD 3SECS
MONTH

Press and hold the LIGHT/FILTER button for more than 3 seconds to reset the filter indicator after the water filter has been replaced.

SETTING THE FUNCTIONS

Press the button for the desired function to view and select other settings.



Press and hold the ALARM/LOCK button for 3 seconds to lock the dispenser and all of the other control panel functions. Press and hold again for 3 seconds to unlock.



The ALARM/LOCK button also controls the door alarm that sounds three times in 30 seconds intervals when a compartment door is left open for more than 60 seconds. The alarm stops sounding when the door is closed.

Press the ALARM/LOOK button once to activate or deactivate the door alarm function.

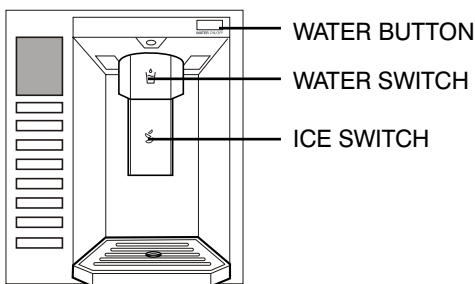


Press the ICE PLUS button once to activate the ice plus function. The ICE PLUS icon on the display panel will illuminate when activated. The ice plus function runs the freezer compartment at the coldest setting for a 24-hour period to increase ice making by up to about 20%, and then turn off automatically.

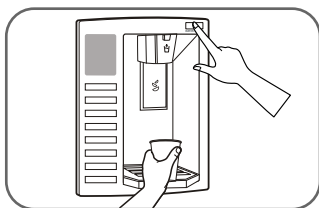
Press the button again to cancel the Ice Plus function.

CAUTION

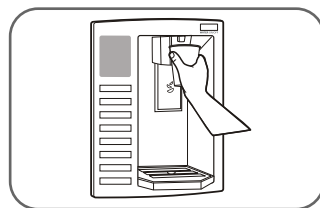
When opening the container with the small opening, use it near the opening of the water or ice dispenser as close as possible.



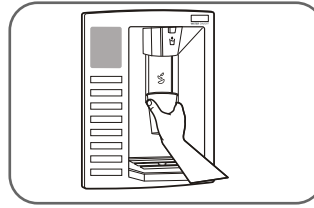
Incorrect



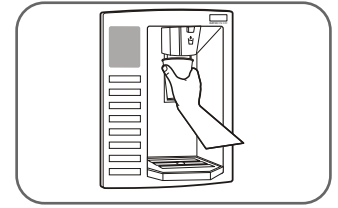
Correct



Incorrect



Correct



ADJUSTING CONTROL SETTINGS

Give the refrigerator time to cool down completely before adding food. It is best to wait 24 hours before you put food into the refrigerator. The mid-settings indicated in the previous section should be correct for normal household refrigerator usage. The controls are set correctly when milk or juice is as cold as you like and when ice cream is firm.

The refrigerator control functions as the thermostat for the entire appliance (refrigerator and freezer sections). The higher the number setting, the longer the compressor will run to keep the temperature colder. The freezer control adjusts the cold air flow from the freezer to the refrigerator. Setting the freezer control to a lower temperature keeps temperature keeps more cold air in the freezer compartment to make it colder.

If you need to adjust temperatures in the refrigerator or freezer, start by adjusting the refrigerator first. Wait 24 hours after the refrigerator adjustment to check the freezer temperature. If it is too warm or too cold, then adjust the freezer control as well.

Use the settings listed in the chart below as a guide. Always remember to wait at least 24 hours between adjustments.

CONDITION/REASON: RECOMMENDED ADJUSTMENT:

CONDITION/REASON:	RECOMMENDED ADJUSTMENT:
REFRIGERATOR section too warm	Turn REFRIGERATOR
Door opened often Large amount of food added Room temperature very warm	control to next higher number, wait 24 hours, then re-check
FREEZER section too warm/ ice not made fast enough	Turn FREEZER
Door opened often Large amount of food added Very cold room temperature (can't cycle often enough) Heavy ice usage Air vents blocked by items	control to next higher number, wait 24 hours, Then re-check Move items out of airstream
REFRIGERATOR section to Cold	Turn REFRIGERATOR
Controls not set correctly for your conditions	control to next lower number, wait 24 hours, then re-check
FREEZER section too cold	Turn FREEZER
Controls not set correctly for your conditions	Control to next lower number, wait 24 hours, then re-check

USING YOUR REFRIGERATOR

FOOD STORAGE GUIDE

Storing Fresh Food

Wrap or store food in the refrigerator in airtight and moisture-proof material unless otherwise noted. This prevents food odor and taste transfer throughout the refrigerator. For dated products, check date code to ensure freshness.

Butter or margarine

Keep opened butter in a covered dish or closed compartment. When storing an extra supply, wrap in freezer packaging and freeze.

Cheese

Store in the original wrapping until you are ready to use it. Once opened, rewrap tightly in plastic wrap or aluminum foil.

Milk

Wipe milk cartons. For best storage, place milk on interior shelf, not on door shelf.

Eggs

Store in original carton on interior shelf, not on door shelf.

Fruit

Wash, let dry, and store in refrigerator in plastic bags or in the crisper. Do not wash or hull berries until you are ready to use them. Sort and keep berries in their original container in a crisper, or store in a loosely closed paper bag on a refrigerator shelf.

Leafy vegetables

Remove store wrapping and trim or tear off bruised and discolored areas. Wash in cold water and drain. Place in a plastic bag or plastic container and store in the crisper.

Vegetables with skins (carrots, peppers)

Place in plastic bags or plastic container and store in crisper.

Fish

Use fresh fish and shellfish the same day purchased.

Chef Fresh

Store most chef fresh in original wrapping as long as it is airtight and moisture-proof. Rewrap if necessary.

Leftovers

Cover leftovers with plastic wrap or aluminum foil. Plastic containers with tight lids can also be used.

STORING FROZEN FOOD

NOTE: For further information about preparing food for freezing or food storage times, check a freezer guide or a reliable cookbook.

Packaging

Successful freezing depends on correct packaging. When you close and seal the package, it must not allow air or moisture in or out. If you do, you could have food odor and taste transfer throughout the refrigerator and also dry out frozen food.

Packaging recommendations:

- Rigid plastic containers with tight-fitting lids
- Straight-sided canning/freezing jars
- Heavy-duty aluminum foil
- Plastic-coated paper
- Non-permeable plastic wraps
- Specified freezer-grade self-sealing plastic bags

Follow package or container instructions for proper freezing methods.

Do not use:

- Bread wrappers
- Non-polyethylene plastic containers
- Containers without tight lids
- Wax paper or wax-coated freezer wrap
- Thin, semi-permeable wrap

Freezing

IMPORTANT: Do not store bottles in the freezer compartment - they may break when frozen, causing damage.

Your freezer will not quick-freeze any large quantity of food. Do not put more unfrozen food into the freezer than will freeze within 24 hours (no more than 2 to 3 lbs of food per cubic foot of freezer space). Leave enough space in the freezer for air to circulate around packages. Be careful to leave enough room at the front so the door can close tightly.

Storage times will vary according to the quality and type of food, the type of packaging or wrap used (airtight and moisture-proof) and the storage temperature. Ice crystals inside a sealed package are normal. This simply means that moisture in the food and air inside the package have condensed, creating ice crystals.

NOTE: Allow hot foods to cool at room temperature for 30 minutes, then package and freeze. Cooling hot foods before freezing saves energy.

NOTE: Do not store food near the sensor; it may cause the sensor to malfunction.

WARNING

Suffocation Hazard

When using dry ice, provide adequate ventilation. Dry ice is frozen carbon dioxide (CO₂). When it vaporizes, it can displace oxygen, causing dizziness, light-headedness, unconsciousness and death by suffocation. Open a window and do not breathe the vapors.

USING YOUR REFRIGERATOR

REFRIGERATOR SECTION

REFRIGERATOR SHELVES

The shelves in your refrigerator are adjustable to meet your individual storage needs. These units are all glass shelves.

Storing similar food items together in your refrigerator and adjusting the shelves to fit different heights of items will make finding the exact item you want easier; it will also reduce the amount of time the refrigerator door is open, saving energy.

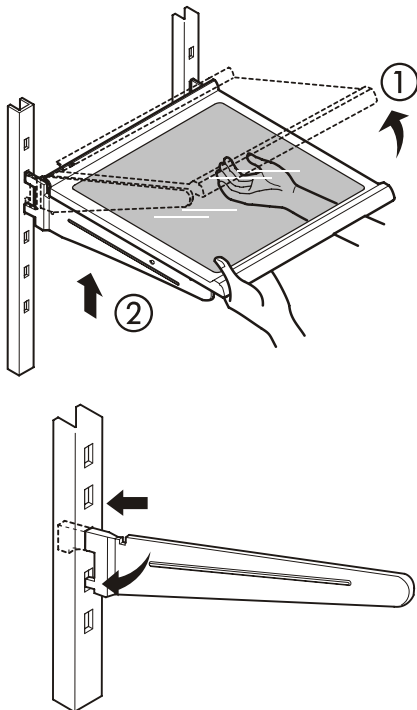
IMPORTANT: Do not clean glass shelves with warm water when they are cold. Shelves may break if exposed to sudden temperature changes or impact, such as bumping. For your protection, glass shelves are made with tempered glass, which will shatter into small pebble-sized pieces.

NOTE: Glass shelves are heavy. Use special care when removing them to avoid dropping them.

Adjusting Shelves

Remove shelves from the shipping position and replace shelves in the position you want.

- **To remove a shelf:** Tilt up the front of the shelf in the direction of (1) and lift it in the direction of (2). Pull the shelf out.
- **To replace a shelf:** Tilt the front of the shelf up and guide the shelf hooks into the slots at a desired height. Then lower the front of the shelf so that the hooks drop into the slots.



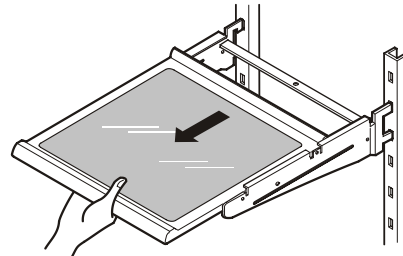
NOTE: Make sure that shelves are level from one side to the other. Failure to do so may result in the shelf falling or spilling food.

NOTE: Make sure that shelves are level from one side to the other. Failure to do so may result in the shelf falling or spilling food.

Sliding Out Shelves (optional on some models)

You can slide some glass shelves in and out of your refrigerator as follows.

- **To slide the shelf out,** carefully pull front of shelf toward you.
- **To slide shelf in,** push shelf in until it stops.



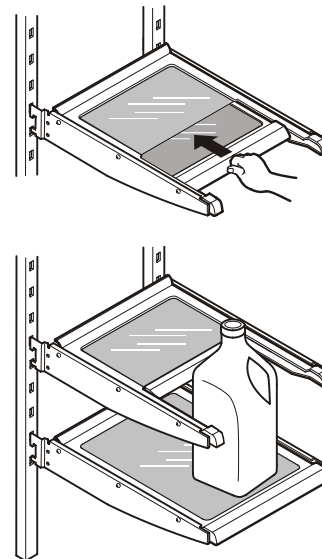
To remove a sliding shelf from its metal frame:

1. Pull the shelf out to the stop position.
2. Tilt the front of the shelf up and pull it past the stop position.
3. Lift up the shelf to remove.

Replace the shelf by reversing the above steps.

Convenience Shelves (on some models)

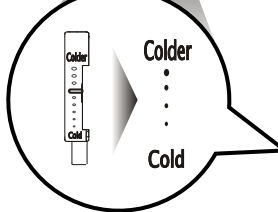
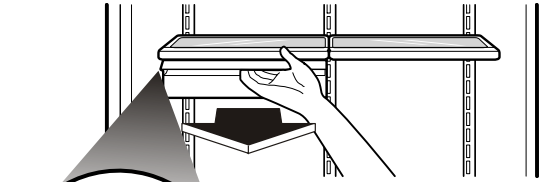
- **Folding Shelf:** You can store taller items such as gallon containers or bottles by simply sliding the shelf back.



USING YOUR REFRIGERATOR

CHEF FRESH / SNACK PAN

While holding the chef fresh with one hand, pull it forward slightly. Lift slightly and pull it out.



On some models is applied an independent temperature control.

NOTE: DO NOT store lettuce or other leafy produce in this drawer.

COLD

- Cauliflower
- Cucumbers
- Zucchini
- Apples
- Corn
- Oranges
- Grapes

COLDER

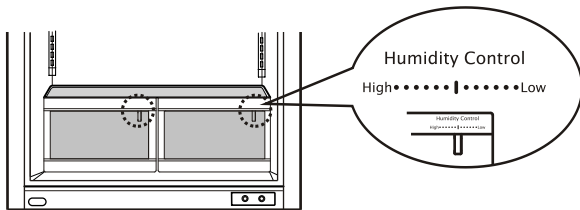
- Steaks
- Hard cheeses
- Cold cuts
- Bacon
- Hot dogs

WARNING: Fruits and vegetables may be damaged at the coldest setting.

CRISPER HUMIDITY CONTROL (on some models)

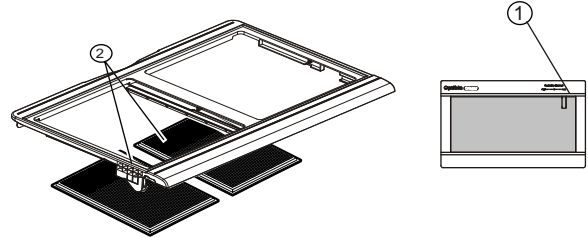
You can control the amount of humidity in the moisture-sealed crispers. Adjust the control to any setting between “High” and “Low”

- **“High”:** Lets moist air out of the crisper for best storage of fruits.
- **“Low”:** Keeps moist air in the crisper for best storage of fresh, leafy vegetables.



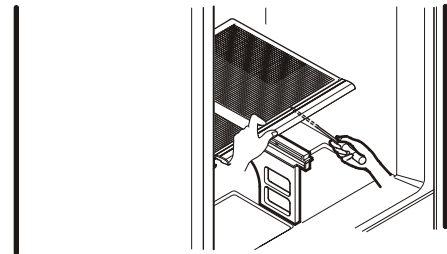
OPTIBIN CRISPERS (on some models)

The OptiBin Crispers provide fresher-tasting fruit and vegetables by letting you easily control humidity inside the crisper. The OptiBin Crispers include: 1) a humidity control knob at the front of the crisper cover and 2) a large lattice on the inner surface of the cover to hold or release moisture.



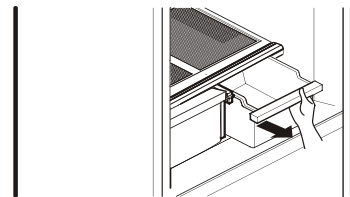
To remove the glass:

1. Lift up the glass after inserting a screwdriver under the crisper cover.
2. Pull up and out.



To remove the crisper:

1. Slide crisper straight out to the stop.
2. Lift the front of the crisper, then pull it out to remove.
3. Replace the crisper by sliding it back in fully past the drawer stop.

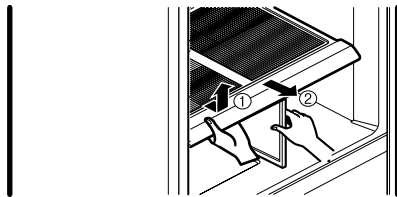


USING YOUR REFRIGERATOR

CRISPER COVER WITH LATTICE ON INNER SURFACE (on some models)

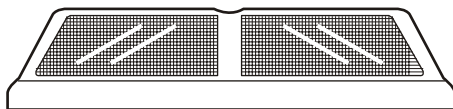
To remove the crisper cover:

1. Remove both crisper drawers.
2. While holding the crisper cover support (2), pull the cover up and out(1).

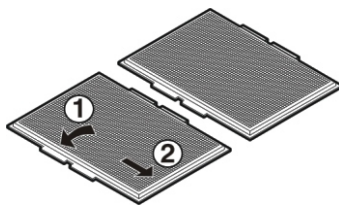


⚠ WARNING: Be careful when handling glass cover since glass is not attached to cover.

To remove the lattice on inner surface:

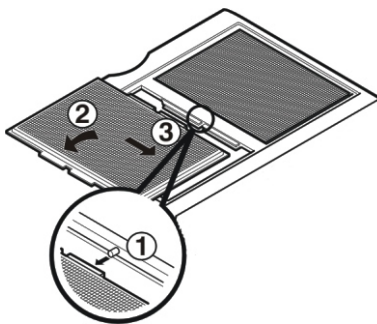


1. Remove crisper cover(as illustrated above).
2. Hold the glass cover and overturn crisper cover.
3. For each lattice hold lattice and pull sides of the cover outward to remove lattice.



To replace lattice on inner surface:

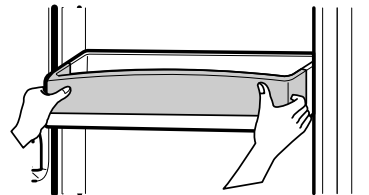
1. For each lattice insert middle tab in 1 (closed to glass cover) and pull sides of the cover to insert lattice.



DESIGN-A-DOOR

The door bins are removable for easy cleaning and adjusting.

1. To remove the bin, simply lift the bin up and pull straight out.
2. To replace the bin, slide it in above the desired support button and push down until it stops.



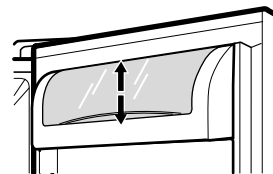
⚠ WARNING: Somebody can be hurt if door bins are not firmly assembled.

NOTE: DO NOT adjust a bin that is loaded with food.

⚠ CAUTION: DO NOT allow children to play with baskets. Sharp corners on baskets could cause injury.

DAIRY BIN

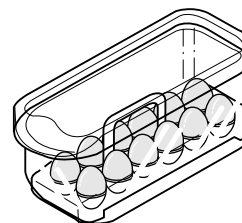
1. To remove the dairy bin, simply lift it and pull straight out.
2. To replace the dairy bin, slide it in above the desired location and push down until it stops.



EGG BOX

Store Egg Box on interior shelf, not on door shelf.

⚠ CAUTION: Do not use the egg box as an ice storage bin in the freezer compartment. The egg box can easily break if it freezes.

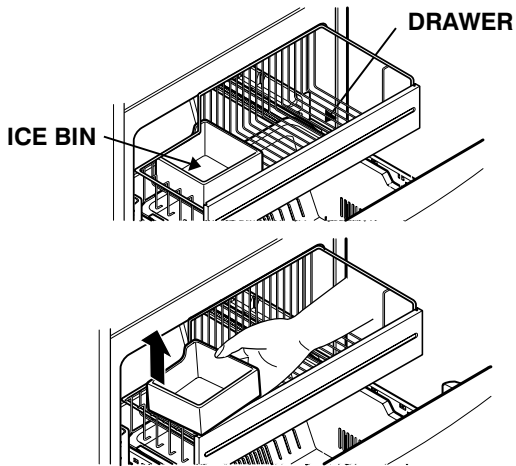


USING YOUR REFRIGERATOR

FREEZER SECTION

ICE BIN (on some models)

1. To separate the ice bin, pull out the drawer as much as possible.
2. Gently lift and pull out the ice bin.
3. To reinstall, pull out the drawer as much as possible and set the ice bin in its correct position, and then push in the drawer.

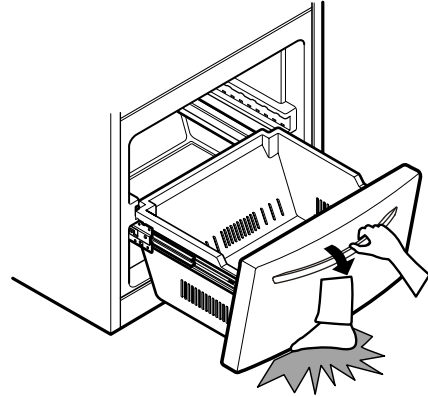


TILTING DOOR (on some models)

The tilting door provides easy access for stored foods.

How to use:

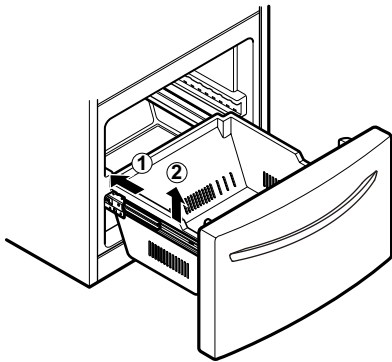
Tilt the door down and pull it out.



⚠ WARNING: Be careful when you open tilting door so that you do not injure your foot!

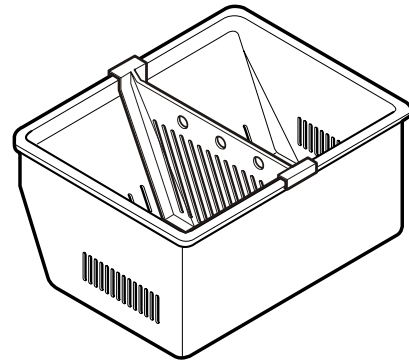
DURABASE (on some models)

1. To remove the Durabase, push it back to the end as much as possible. Tilt up the front of the Durabase and pull straight out.
2. To install, insert the Durabase in rail assembly.



DURABASE DIVIDER (on some models)

The Durabase divider allows you to organize the durabase area into sections.

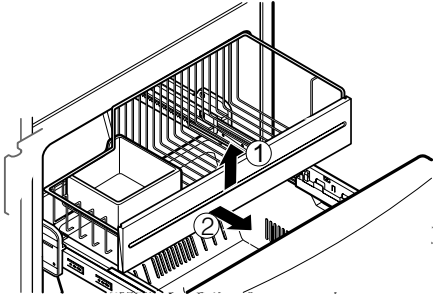


1. To remove, pull divider straight up.
2. To install, hook top corners of divider over top edge of durabase.

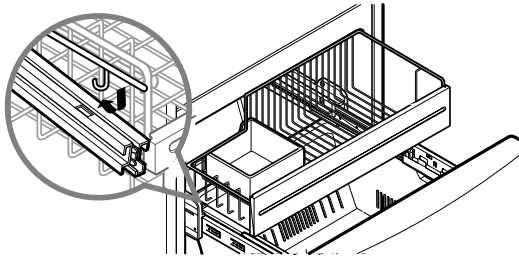
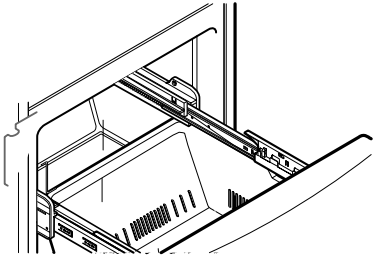
USING YOUR REFRIGERATOR

GLIDE-OUT DRAWER BASKET

1. To remove, lift basket up and pull out straight out.

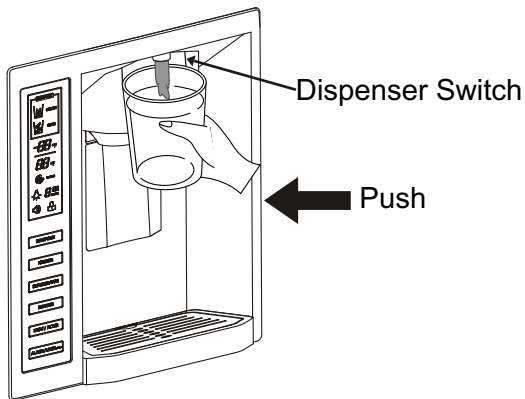


2. To Install, pull both rails out to full extension. Hook the basket supports into the rail tabs and push to the back of compartment.

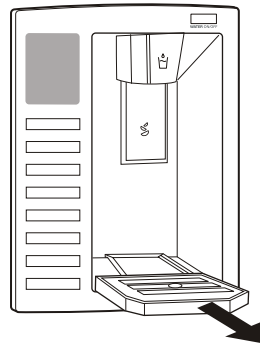


WATER DISPENSER

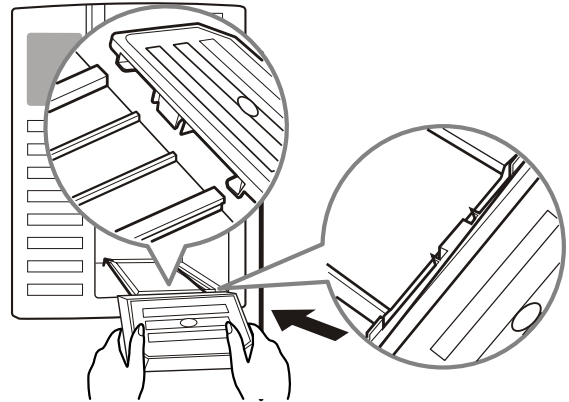
Push the dispenser pad with a glass until you hear a click to get cold water.



Dispenser Drip Tray

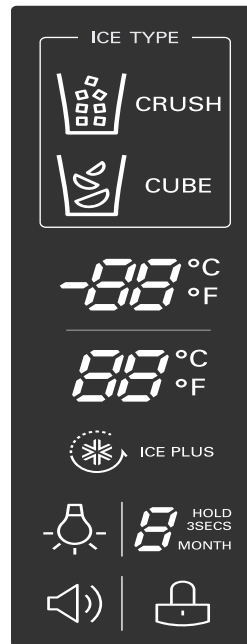


The dispenser drip tray has no self-draining function. It should be cleaned regularly. Remove the cover by pressing and pulling the tray. Dry it with a cloth. To reinstall the tray, slightly tilt the front of the tray and snap the ribs into the holes.



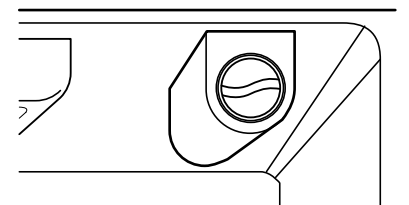
FILTER

The display shows (in months), the remaining time to exchange the filter from the moment power is connected to the refrigerator or 6 months after use of water dispenser.



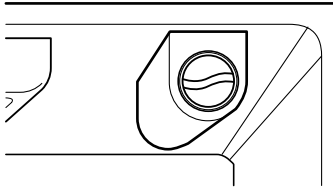
If you have changed the filter after 6 months of use, press and hold the FILTER button 3 seconds or more and the filter display will be initialized with a buzzing sound.

NOTE: The average life of the filter is 6 months.



USING YOUR REFRIGERATOR

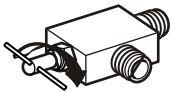
It is recommended that you replace the filter when the water filter indicator light turns on or your water dispenser or ice maker decreases noticeably.



After changing the water filter cartridge, reset the water filter status display and indicator light by pressing and holding the **BUTTON** for 3 seconds.

How to change the old cartridge.

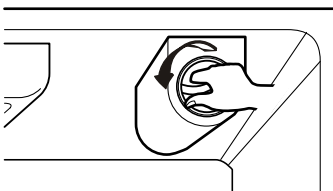
1. Turn the shutoff valve off (house valve).*



2. Dispense water from the system to empty the tubing (approximately for 50 seconds).*



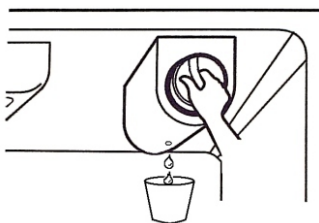
3. Remove the old cartridge. Rotate the knob of the cartridge counter clockwise.



When the cartridge is removed, it will click out of place.



Pull out the cartridge.

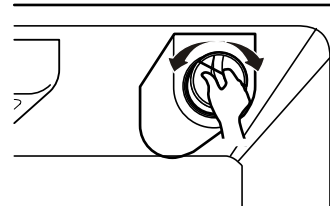


NOTE: There will be water in the cartridge. Some spilling may occur through the hole at rear bottom side of cover. You may use a cup or something like that to prevent spilt water drop into food.

4. Replace with a new cartridge.

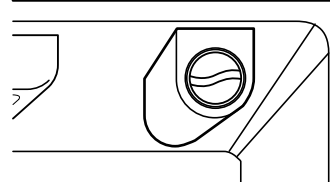
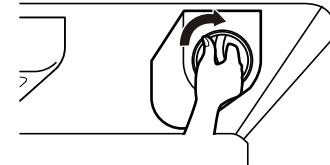
Take the new cartridge out of its packaging and remove protective cover from the o-rings.

With cartridge knob in the vertical position, push the new filter cartridge into the cover until it stops.

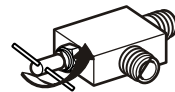


If you can't turn the filter from side to side, it isn't fully inserted. Push it in firmly and twist it into place. You will hear it click into place.

Using its handle, twist the cartridge clockwise about 1/4 turn. You will hear when it clicks into place.



5. Turn the shutoff valve on (house valve).*



6. Flush water out from the system until air gets eliminated and water start to dispense (approximately for 3 minutes).



NOTE: To purchase replacement water filter cartridges, visit your local appliance dealer or part distributor. You can also visit our website: www.lgappliances.com.

USING YOUR REFRIGERATOR

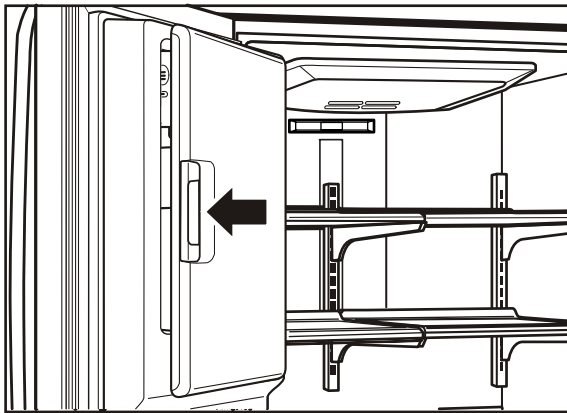
IN-DOOR ICE BIN

⚠ CAUTION

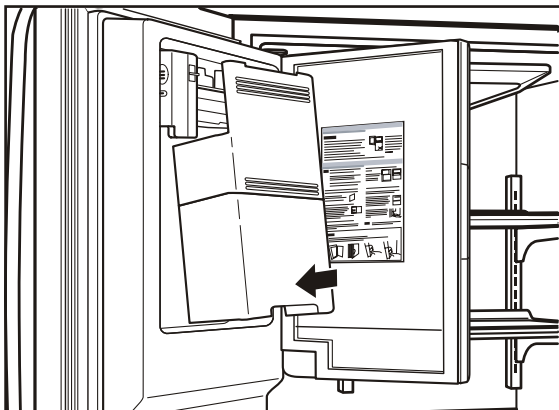
Keep hands and tools out of the ice bin door and dispenser chute. You could break something or injure yourself.

The icemaker will stop producing ice when the ice is full. If you need more ice, empty the ice bank into the extra ice bin in the freezer compartment so the ice maker can keep producing ice.

Shake the ice bin occasionally to level the ice in it. Sometimes the ice piles up near the icemaker, causing the icemaker to misread the amount of ice cubes and stop producing ice.



Push on the latch firmly where noted to close the ice bin door; it will make a clicking sound when it is closed completely.

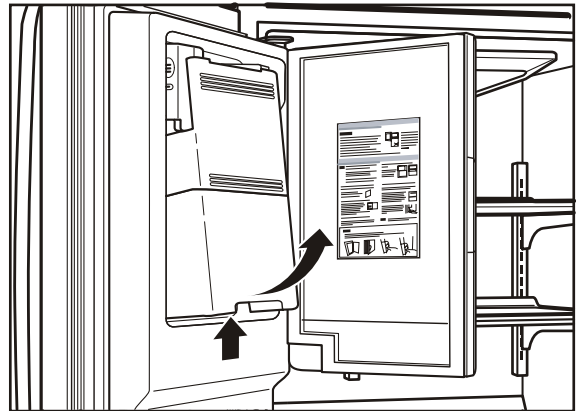


To reinstall the in-door ice bin, slightly slant the bin during replacement to avoid contact with the icemaker.

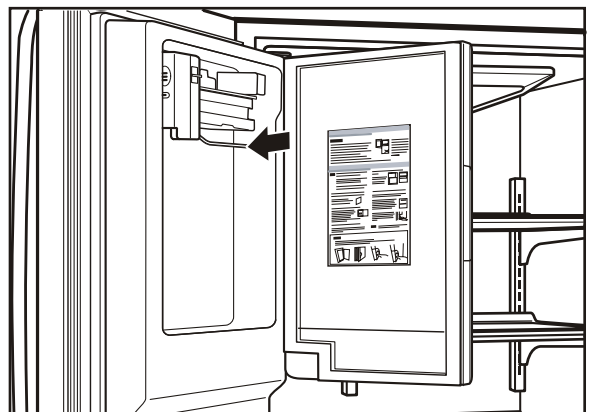
NOTE: Storing cans or other items in the ice bin may damage the ice maker.

Keep the ice bin door closed tightly. If the ice bin door is not closed tightly, the cold air in the ice bin will freeze food in the refrigerator compartment. This could also cause the icemaker to not produce ice.

NOTE: If the On/Off switch on the icemaker is set to Off for an extended time, the ice compartment will gradually warm up to the temperature of the refrigerator compartment. To prevent ice cubes from melting and leaking from the dispenser, ALWAYS empty the ice bin when the icemaker is set to Off for more than a few.



To remove the in-door ice bin, grip the front handle, slightly lift the lower part, and slowly pull out the bin as shown.



Avoid touching the automatic shutoff arm when replacing the ice bin. See the label on the ice bank door for details.

CARE AND CLEANING

⚠ WARNING



Explosion Hazard

Use non-flammable cleaner.

Failure to do so can result in death, explosion, or fire.

Both the refrigerator and freezer sections defrost automatically. However, clean both sections about once a month to prevent odors. Wipe up spills immediately.

GENERAL CLEANING TIPS

- Unplug refrigerator or disconnect power.
- Remove all removable parts, such as shelves, crispers, etc.
- Use a clean sponge or soft cloth and a mild detergent in warm water. Do not use abrasive or harsh cleaners.
- Hand wash, rinse and dry all surfaces thoroughly.
- Plug in refrigerator or reconnect power.

OUTSIDE

Waxing external painted metal surfaces helps provide rust protection. Do not wax plastic parts. Wax painted metal surfaces at least twice a year using appliance wax (or auto paste wax). Apply wax with a clean, soft cloth.

For products with a stainless steel exterior, use a clean sponge or soft cloth and a mild detergent in warm water. Do not use abrasive or harsh cleaners. Dry thoroughly with a soft cloth.

INSIDE WALLS (allow freezer to warm up so cloth will not stick)

To help remove odors, you can wash the inside of the refrigerator with a mixture of baking soda and warm water. Mix 2 tablespoons baking soda to 1 quart of water (26 g soda to 1 liter water). Be sure the baking soda is completely dissolved so does it not scratch the surfaces of the refrigerator.

DOOR LINERS AND GASKETS

Do not use cleaning waxes, concentrated detergents, bleaches, or cleaners containing petroleum plastic parts.

PLASTIC PARTS (covers and panels)

Do not use paper towels, window sprays, abrasive cleansers, or flammable fluids. These can scratch or damage the material.

CONDENSER COILS

Remove grille base.

Use a vacuum cleaner with an extended attachment to clean condenser coils.

Vacuum coils when dusty or dirty. Coils may need to be cleaned as often as every other month.

Replace grille base.

LIGHT BULB REPLACEMENT

⚠ WARNING

Electrical Shock Hazard

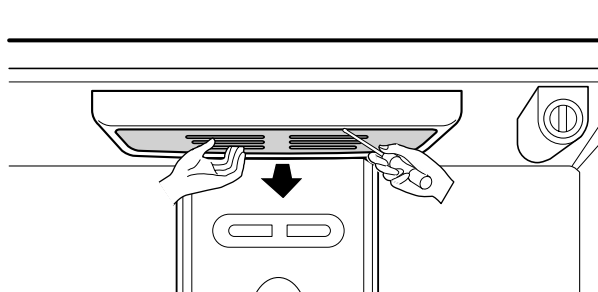
Before replacing a burned-out light bulb, either unplug the refrigerator or turn off power at the circuit breaker or fuse box.

NOTE: Moving the control to the OFF position does not remove power to the light circuit.

NOTE: Not all appliance bulbs will fit your refrigerator. Be sure to replace the bulb with one of the same size, shape and wattage.

To change the refrigerator light:

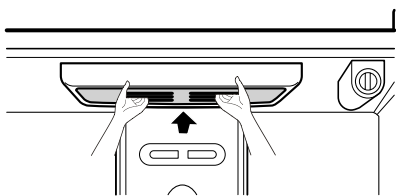
1. Unplug the power cord from the outlet.
2. Remove refrigerator shelves.
3. Release the hooks on the front of the light shield with the help of a flat screwdriver and pull the shield down to remove it.



4. Turn the bulb counterclockwise.

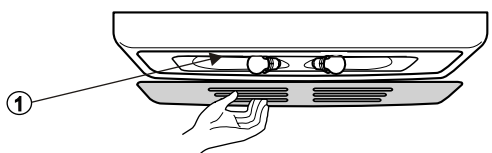
CARE AND CLEANING

5. To assemble, first insert the hooks at the back and then push up the light shield.

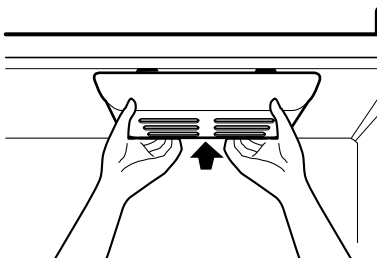


To change the freezer light:

1. Unplug refrigerator or disconnect power.
2. Reach behind light shield to remove bulb.
3. Replace bulb with a wattage indicated in the refrigerator section, as shown in picture ①.



4. Plug in refrigerator or reconnect power.



POWER INTERRUPTIONS

If the electricity goes off, call the power company and ask how long it will be off.

1. If the power will be out for 24 hours or less, keep both refrigerator doors closed to help foods stay cold and frozen.
2. If the power will be out for more than 24 hours:
 - a) Remove all frozen food and store it in a frozen food locker.

OR

- b) Place 2 lbs of dry ice in the freezer for every cubic foot of freezer space. This will keep the food frozen for two to four days. While handling dry ice, wear gloves to protect your hands from frostbite.

OR

- c) If neither a food locker nor dry ice is available, consume or can perishable food at once.

WHEN YOU GO ON VACATION

If you choose to leave the refrigerator on while you are away, follow these steps to prepare your refrigerator before you leave.

1. Use up any perishables and freeze other items.
2. Empty the ice bin.

If you choose to turn the refrigerator off before you leave, follow these steps.

1. Remove all food from the refrigerator.
2. Depending on your model, set the thermostat control (refrigerator control) to OFF. See the **Setting the Controls** section.
3. Clean refrigerator, wipe it and dry well.
4. Tape rubber or wood blocks to the tops of both doors to prop them open far enough for air to get in. This stops odor and mold from building up.

WHEN YOU MOVE

When you are moving your refrigerator to a new home, follow these steps to prepare it for the move.

1. Remove all food from the refrigerator and pack all frozen food in dry ice.
2. Depending on your model, turn the thermostat control (refrigerator control) to OFF. See the **Setting the Controls** section.
3. Unplug the refrigerator.
4. Empty water from the defrost pan.
5. Clean, wipe and dry thoroughly.
6. Take out all removable parts, wrap them well and tape them together so they do not shift and rattle during the move.
7. Depending on the model, raise the front of the refrigerator so it rolls more easily OR screw in the leveling legs all the way so they do not scrape the floor. See the **Door Closing** section.
8. Tape the doors shut and tape the power cord to the refrigerator cabinet.

When you get to your new home, put everything back and refer to the **Installing Your Refrigerator** section for preparation instructions.

ABOUT THE AUTOMATIC ICEMAKER

NOTE: Automatic Ice Maker feature is included only in certain models. Please check your product specification.

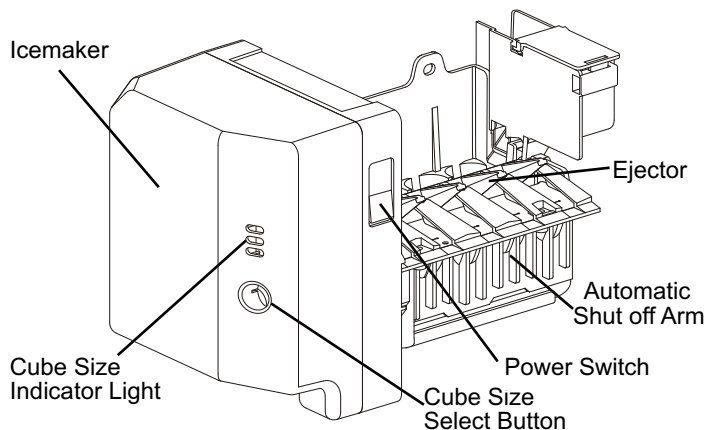
⚠ WARNING

Personal Injury Hazard

Avoid contact with the moving parts of the ejector mechanism, or with the heating element that releases the cubes. **DO NOT** place fingers or hands on the automatic icemaking mechanism while the refrigerator is plugged in.

OPERATION INSTRUCTIONS

A newly-installed refrigerator may take 12 to 24 hours to begin making ice.



The icemaker will produce 5 pcs cubes per cycle approximately 60-80 cubes in a 24-hour period, depending on freezer compartment temperature, room temperature, number of door openings and other operating conditions.

If the refrigerator is used before the water connection is made to the icemaker, set the power switch to **O (off)**.

When the refrigerator has been connected to the water supply, set the power switch to **I (on)**.

The icemaker will fill with water when it cools to freezing. A newly-installed refrigerator may take 12 to 24 hours to begin making ice cubes.

Throw away the first few batches of ice to allow the water line to clear.

Be sure nothing interferes with the sweep of the feeler arm.

When the bin fills to the level of the feeler arm, the icemaker will stop producing ice.

It is normal for several cubes to be stuck together.

If ice is not used frequently, old ice cubes will become cloudy, taste stale, and shrink.

NOTE: If the cube size is smaller or larger than you expected, you can regulate the size with the cube size button. (normally caused by variations in water pressure.)

Every time you press the cube size button, the indicator light goes up. The higher position light is on, the larger cubes will be. (1st step is the next after the 5th step.)

WHEN YOU SHOULD SET THE ICEMAKER POWER SWITCH TO O (OFF)

- When the water supply will be shut off for several hours.
- When the ice storage bin is removed for more than a minute or two.
- When the refrigerator will not be used for several days.

NORMAL SOUNDS YOU MAY HEAR

- The icemaker water valve will buzz as the icemaker fills with water. If the power switch is in the **I (on)** position, it will buzz even if it has not yet been hooked up to water. To stop the buzzing, move the power switch to **O (off)**.

NOTE: Keeping the power switch in the **I (on)** position before the water line is connected can damage the icemaker.

- You will hear the sound of cubes dropping into the bin and water running in the pipes as the icemaker refills.

PREPARING FOR VACATION

Set the icemaker power switch to **O (off)** and shut off the water supply to the refrigerator.

If the ambient temperature will drop below freezing, have a qualified service technician drain the water supply system (on some models) to prevent serious property damage due to flooding from ruptured water lines or connections.

CONNECTING THE WATERLINE

NOTE: Water line installation is needed when the Automatic Icemaker and/or Water Dispenser features are available on your product.

BEFORE YOU BEGIN

This water line installation is not warranted by the refrigerator or icemaker manufacturer. Follow these instructions carefully to minimize the risk of expensive water damage.

Water hammer (water banging in the pipes) in house plumbing can cause damage to refrigerator parts and lead to water leakage or flooding. Call a qualified plumber to correct water hammer before installing the water supply line to the refrigerator.

To prevent burns and product damage, do not hook up the water line to the hot water line.

If you use your refrigerator before connecting the water line, make sure the icemaker power switch is in the **O (off)** position.

Do not install the icemaker tubing in areas where temperatures fall below freezing.

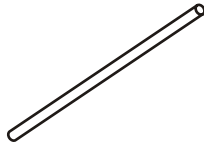
When using any electrical device (such as a power drill) during installation, be sure the device is double-insulated or grounded in a manner to prevent the hazard of electric shock, or is battery-powered.

All installations must be in accordance with local plumbing code requirements.

NOTE: Wear eye protection.

WHAT YOU WILL NEED

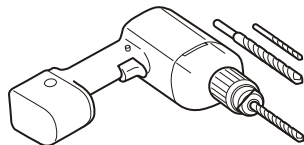
- **Copper Tubing**, 1/4" outer diameter to connect the refrigerator to the water supply. Be sure both ends of the tubing are cut square.



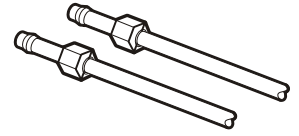
To determine how much tubing you need: measure the distance from the water valve on the back of the refrigerator to the water supply pipe. Then add 8 feet (2.4 m). Be sure there is sufficient extra tubing (about 8 feet [2.4 m] coiled into 3 turns of about 10 [25 cm] diameter) to allow the refrigerator to move out from the wall after installation.

Be sure that the kit you select allows at least 8 feet (2.4 m) as described above.

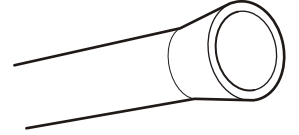
- **A cold water supply**. The water pressure must be between 20 and 120 p.s.i. on models without a water filter and between 40 and 120 p.s.i. on models with a water filter.
- **Power drill**.
- **1/2" or adjustable wrench**.
- **Straight- and Phillips-blade screwdriver**



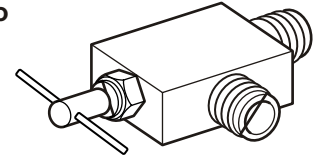
- **Two 1/4" outer diameter compression nuts and 2 ferrules (sleeves)** to connect the copper tubing to the shutoff valve and the refrigerator water valve.



- If your existing copper water line has a flared fitting at the end, you will need an **adapter** (available at plumbing supply stores) to connect the water line to the refrigerator OR you can cut off the flared fitting with a tube cutter and then use a compression fitting.



- **Shutoff valve to connect to the cold water line**. The shutoff valve should have a water inlet with a minimum inside diameter of 5/32" at the point of connection to the COLD WATER LINE. Saddle-type shutoff valves are included in many water supply kits. Before purchasing, make sure a saddle-type valve complies with your local plumbing codes.



INSTALLATION INSTRUCTIONS

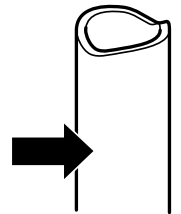
Install the shutoff valve on the nearest frequently used drinking water line.

1. SHUTOFF THE MAIN WATER SUPPLY

Turn on the nearest faucet to relieve the pressure on the line.

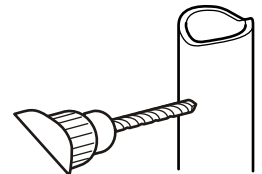
2. CHOOSE THE VALVE LOCATION

Choose a location for the valve that is easily accessible. It is best to connect into the side of a vertical water pipe. When it is necessary to connect into a horizontal water pipe, make the connection to the top or side, rather than at the bottom, to avoid drawing off any sediment from the water pipe.



3. DRILL THE HOLE FOR THE VALVE

Drill a 1/4" hole in the water pipe (even if using a self-piercing valve) using a sharp bit. Remove any burrs resulting from drilling the hole in the pipe. Take care not to allow water to drain into the drill. Failure to drill a 1/4" hole may result in reduced ice production or smaller cubes.

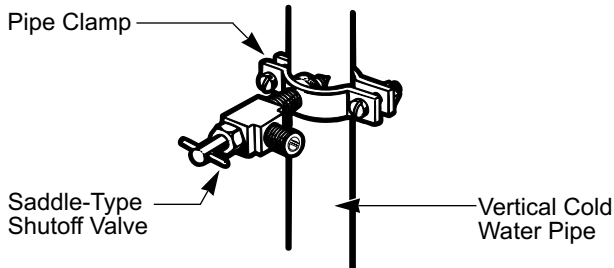


CONNECTING THE WATERLINE

INSTALLATION INSTRUCTIONS (CONTINUED)

4. FASTEN THE SHUTOFF VALVE

Fasten the shutoff valve to the cold water pipe with the pipe clamp.

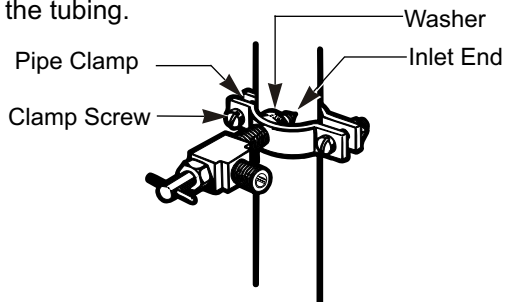


NOTE: Commonwealth of Massachusetts Plumbing Codes 248CMR shall be adhered to. Saddle valves are illegal and use is not permitted in Massachusetts. Consult with your licensed plumber.

5. TIGHTEN THE PIPECLAMP

Tighten the clamp screws until the sealing washer begins to swell.

NOTE: Do not overtighten or you may crush the tubing.



6. ROUTE THE TUBING

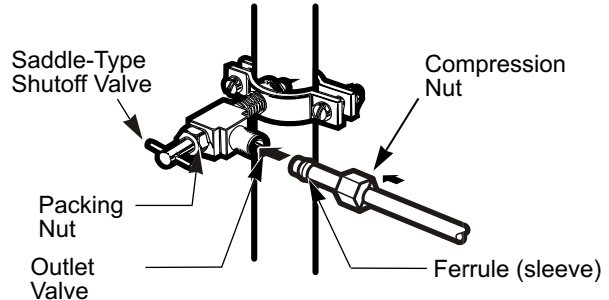
Route the tubing between the cold water line and the refrigerator.

Route the tubing through a hole drilled in the wall or floor (behind the refrigerator or adjacent base cabinet) as close to the wall as possible.

NOTE: Be sure there is sufficient extra tubing (about 8 feet coiled into 3 turns of about 10 diameter) to allow the refrigerator to move out from the wall after installation.

7. CONNECT THE TUBING TO THE VALVE

Place the compression nut and ferrule (sleeve) for copper tubing onto the end of the tubing and connect it to the shutoff valve. Make sure the tubing is fully inserted into the valve. Tighten the compression nut securely.

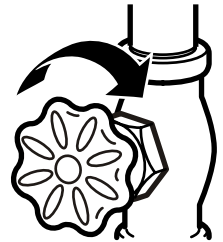


NOTE: Commonwealth of Massachusetts Plumbing Codes 248CMR shall be adhered to. Saddle valves are illegal and use is not permitted in Massachusetts. Consult with your licensed plumber.

8. FLUSH OUT THE TUBING

Turn the main water supply on and flush out the tubing until the water is clear.

Shut the water off at the water valve after about one quart of water has been flushed through the tubing.



CONNECTING THE WATERLINE

9. CONNECT THE TUBING TO THE REFRIGERATOR

NOTES:

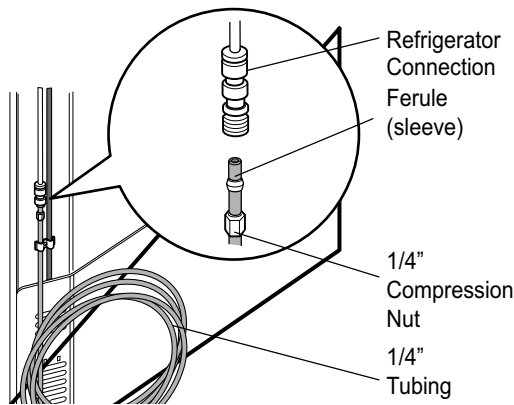
- Before making the connection to the refrigerator, be sure the refrigerator power cord is not plugged into the wall outlet.
- If your refrigerator does not have a water filter, we recommend installing one. If your water supply has sand or particles that could clog the screen of the refrigerator's water valve. Install the filter in the water line near the refrigerator.

Remove the plastic flexible cap from the refrigerator connection.



Place the compression nut and ferrule (sleeve) onto the end of the tubing.

Insert the end of the tubing into the connection as far as possible. While holding the tubing, tighten the fitting.



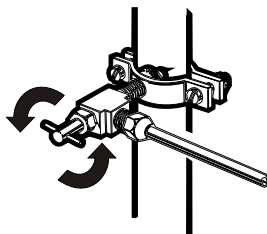
Fasten the tubing into the tubing Clamp attached to the back of the refrigerator.

First, loosen the screw fastening the clamp. Next, insert the tubing in the groove. Finally, re-fasten the screw.

10. TURN THE WATER ON AT THE SHUTOFF VALVE

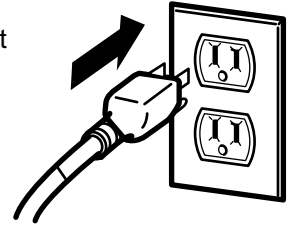
Tighten any connections that leak.

Reattach the compressor compartment access cover.



11. PLUG IN THE REFRIGERATOR

Arrange the coil of tubing so that it does not vibrate against the back of the refrigerator or against the wall. Push the refrigerator back to the wall.



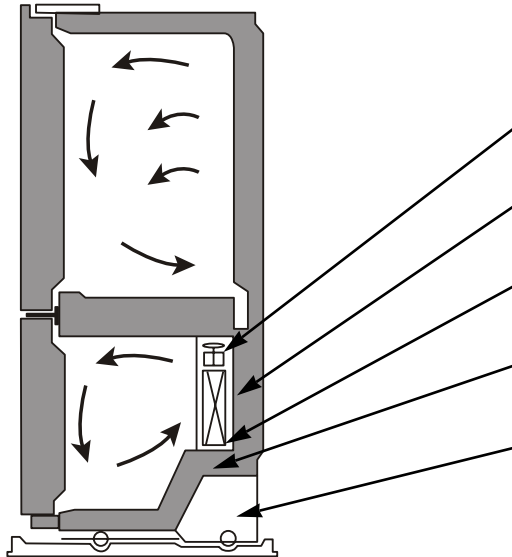
12. START THE ICE MAKER

Set the icemaker power switch to the ON position. The icemaker will not begin to operate until it reaches its operating temperature of 15°F (-9°C) or below. It will then begin operation automatically if the icemaker power switch is in the **I (on)** position.

TROUBLE SHOOTING GUIDE

UNDERSTANDING SOUNDS YOU MAY HEAR

Your new refrigerator may make sounds that your old one didn't make. Because the sounds are new to you, you might be concerned about them. Most of the new sounds are normal. Hard surfaces, like the floor, walls and cabinets, can make the sounds seem louder than they actually are. The following describes the kinds of sounds and what may be making them.



- The defrost timer will click when the automatic defrost cycle begins and ends. The thermostat control (or refrigerator control, depending on the model) will also click when cycling on and off.
- Rattling noises may come from the flow of refrigerant, the water line, or items stored on top of the refrigerator.
- Your refrigerator is designed to run more efficiently to keep your food items at the desired temperature. The high efficiency compressor may cause your new refrigerator to run longer than your old one, and you may hear a pulsating or high-pitched sound.
- You may hear the evaporator fan motor circulating the air through the refrigerator and freezer compartments.
- As each cycle ends, you may hear a gurgling sound due to the refrigerant flowing in your refrigerator.
- Contraction and expansion of the inside walls may cause a popping noise.
- Water dripping on the defrost heater during a defrost cycle may cause a sizzling sound.
- You may hear air being forced over the condenser by the condenser fan.
- You may hear water running into the drain pan during the defrost cycle.

REFRIGERATOR DOES NOT OPERATE

Check if...	Then...
The power supply cord is unplugged.	Firmly plug the cord into a live outlet with proper voltage.
A household fuse has blown or circuit breaker tripped.	Replace the fuse or reset the circuit breaker.
The refrigerator control is set to the OFF position.	Refer to the Setting the Controls .
Refrigerator is in the defrost cycle.	Wait about 30 minutes for defrost cycle to end.

VIBRATION OR RATTLING NOISE

Check if...	Then...
The refrigerator is not resting solidly on the floor.	Floor is weak or uneven or leveling legs need adjusting. See Installation Section.

LIGHTS DO NOT WORK

Check if...	Then...
The power supply cord is unplugged.	Firmly plug the cord into a live outlet with proper voltage.
Light bulb is loose in the socket.	Turn the refrigerator control to the OFF position and unplug the refrigerator. Gently remove the bulb and reinsert. Then plug in refrigerator and reset the refrigerator control.
Light bulb has burned out.	Replace with an appliance bulb of the same wattage, size and shape available at your local hardware store. (See the Changing the Light Bulb(s) Section.) Turn the temperature control to the OFF position and unplug the refrigerator prior to replacement.

TROUBLE SHOOTING GUIDE

COMPRESSOR MOTOR SEEMS TO RUN TOO MUCH

Check if...	Then...
The refrigerator that was replaced was an older model.	Modern refrigerators with more storage space require more operating time.
The room temperature is hotter than normal.	The motor will run longer under warm conditions. At normal room temperatures, expect your motor to run about 40% to 80% of the time. Under warmer conditions, expect it to run even more often.
The door is opened often or a large amount of food has just been added.	Adding food and opening the door warms the refrigerator. It is normal for the refrigerator to run longer in order to cool the refrigerator back down. Adding a large amount of food warms the refrigerator. See the Food Storage Guide Section. In order to conserve energy, try to get everything you need out of the refrigerator at once, keep food organized so it is easy to find and close the door as soon as the food is removed.
The refrigerator was recently plugged in and the refrigerator control was set correctly	The refrigerator will take up to 24 hours to cool completely.
The refrigerator control was not set correctly for the surrounding conditions.	See the Adjusting control settings Section.
The doors are not closed completely.	Push the doors firmly shut. If they will not shut all the way, see Doors will not close completely below.
The condenser coils are dirty.	This prevents air transfer and makes the motor work harder. Clean the condenser coils. Refer to the Care and Cleaning section.

DOORS WILL NOT CLOSE COMPLETELY

Check if...	Then...
The refrigerator is not level.	See the Installation Section to level refrigerator.
Food packages are blocking the door open.	Rearrange food containers to clear door and door shelves.
The ice bin, crisper cover, pans, shelves, door bins or baskets are out of position.	Push bins all the way in and put crisper cover pans, shelves and baskets into their correct positions. See the Using Your Refrigerator Section.
The gaskets are sticking.	Clean gaskets and the surface that they touch. Rub a thin coat of paraffin wax on the gaskets after cleaning.
The refrigerator wobbles or seems unstable.	Level the refrigerator. Refer to the Door Closing and Alignment Section.
The doors were removed during product installation and not properly replaced.	Remove and replace the doors according to the Removing, Reversing and Replacing Refrigerator Doors section or call a qualified service technician.

FROST OR ICE CRYSTALS ON FROZEN FOOD

Check if...	Then...
The door is not closing properly.	See Doors will not close completely above.
The door is opened often.	When the door is opened, warm, humid air is allowed in the freezer resulting in frost.

TROUBLE SHOOTING GUIDE

ICE HAS OFF-TASTE OR ODOR

Check if...	Then...
The icemaker was recently installed.	Discard first few batches of ice to avoid discolored or off-flavored ice.
The ice has been stored for too long.	Throw away old ice and make new supply.
The food has not been wrapped tightly in either compartment.	Rewrap foods since odors may migrate to the ice if food is not wrapped properly.
The water supply contains minerals such as sulfur.	A filter may need to be installed to eliminate taste and odor problems.
The interior of refrigerator needs cleaning.	See Care and Cleaning section.
Ice storage bin needs cleaning.	Empty and wash bin. Discard old cubes.

THERE IS WATER IN THE DEFROST DRAIN PAN

Check if...	Then...
The refrigerator is defrosting.	The water will evaporate. It is normal for water to drip into the defrost pan.
It is more humid than normal.	Expect that the water in the defrost pan will take longer to evaporate. This is normal when it is hot or humid.

THE REFRIGERATOR SEEMS TO MAKE TOO MUCH NOISE

Check if...	Then...
The sounds may be normal for your refrigerator.	Refer to the Understanding Sounds You May Hear section.

THE ICEMAKER IS NOT PRODUCING ICE OR ICE CUBES ARE FREEZING TOO SLOWLY

Check if...	Then...
The freezer temperature is cold enough to produce ice.	Wait 24 hours after hook-up for ice production. See the Setting the Controls Section.
Door left open.	Check to see if something is holding the door open.

CUBES PRODUCED BY ICEMAKER ARE TOO SMALL

Check if...	Then...
Smaller cube size level is selected.	Select larger cube size using cube size selector.
Water shutoff valve connecting refrigerator to water line may be clogged.	Call a plumber to clear the valve.

THE DOORS ARE DIFFICULT TO OPEN

Check if...	Then...
The gaskets are dirty or sticky.	Clean gaskets and the surfaces that they touch. Rub a thin coat of appliance polish or kitchen wax on the gaskets after cleaning
The door is reopened within a short time after having been opened.	When you open the door, warmer air enters the refrigerator. As the warm air cools, it can create a vacuum. If the door is hard to open, wait 5 minutes to allow the air pressure to equalize, then see if it opens more easily.

TROUBLE SHOOTING GUIDE

AUTOMATIC ICEMAKER DOES NOT WORK

Check if...

Then...

Icemaker power switch in the O (off) position.	Move the switch to the I (on) position.
Water supply turned off or not connected.	See the Connecting the Water Line section.
Freezer compartment too warm.	Wait 24 hours for the freezer to reach its ideal temperature.
Piled up cubes in the storage bin cause the icemaker to shut off.	Level cubes by hand or shake the bin occasionally.

TEMPERATURE IS TOO WARM OR THERE IS INTERIOR MOISTURE BUILDUP

Check if...

Then...

The air vents are blocked. Cold air circulates from the freezer to the fresh food section and back again through air vents in the wall dividing the two sections.	Locate air vents by using your hand to sense airflow and move all packages that block vents and restrict airflow. Refer to multi flow Section for the location of air vents.
The doors are opened often.	When the door is opened, warm humid air is allowed into the refrigerator. The more the door is opened, the faster the humidity builds up, and the more warm air the refrigerator must cool. In order to keep the refrigerator cool, try to get everything you need out of the refrigerator at once, keep food organized so it is easy to find and close the door as soon as the food is removed.
The control is not set correctly for the surrounding conditions.	Refer to the Setting the Controls Section. Wait 24 hours for temperatures to stabilize or even out. If the temperature is too cold or too warm, move the dial one number at a time and allow a day for the temperature to stabilize.
Alarge amount of food has just been added to the refrigerator or freezer.	Adding food warms the refrigerator. It can take a few hours for the refrigerator to return to normal temperature.
The food is not packaged correctly.	Wrap food tightly and wipe off damp containers prior to storing in the refrigerator to avoid moisture accumulation. If necessary, repackage food according to the guidelines in the Food Storage Guide Section.
The doors are not closing completely.	See Doors will not close completely.
The weather is humid.	In humid weather, air carries moisture into refrigerator when doors are opened.
Aself-defrost cycle was completed.	It is normal for droplets to form on the back wall after the refrigerator self-defrosts.

TABLA DE CONTENIDO

Versión en Inglés	2
Versión en Español	36
Garantía (E.U.A.)	3 - 4
Instrucciones importantes de seguridad	37 - 38
Requerimientos eléctricos	38
Partes y Características	39
Instalación del refrigerador	40 - 46
Desempaque	40
Instalación	40
Parrilla inferior	40
Cambiar, invertir el sentido, instalar	41 - 43
Cajón deslizante del congelador	44 - 45
Nivelación y alineación de la puerta	46
Uso del refrigerador	47 - 57
Circulación apropiada del aire	47
Multi Flow	47
Alarma de la puerta	47
Panel de control	47
Configurar los controles	48
Cómo regular los controles	48 - 49
Guía de almacenamiento de alimentos	50
Guardar alimentos congelados	50
Sección del refrigerador	51
Estantes del refrigerador	51
Charola de carnes frías (chef fresh)	52
Control de humedad de los cajones	52
Cajones Obtibin	53
Cubierta de los cajones con rejilla interior	53
Compartimiento en puerta	53
Compartimiento para lácteos	53
Compartimiento para huevos	53
Sección del congelador	54
Recipiente para hielos	54
Durabase	54
Cajón de alambre deslizante	55
Dispensador de agua	55
Filtro	55 - 56
Fábrica de hielos	57
Cuidados de su refrigerador	58 - 59
Para limpiar su refrigerador	58
Exterior	58
Interior	58
Puertas y sellos	58
Partes plásticas	58
Serpentín del condensador	58
Reemplazo de bombillas (focos)	58 - 59
Interrupciones de energía	59
Cuidados en vacaciones	59
Acerca de la fábrica de hielos	60
Cómo conectar la Tubería de Agua	61 - 63
Guía para la solución de problemas	64 - 67

INSTRUCCIONES IMPORTANTES DE SEGURIDAD

MENSAJES DE SEGURIDAD

Hemos incluido muchos mensajes importantes de seguridad en este manual. Lea y obedezca siempre todos los mensajes de seguridad.

Este es el símbolo de advertencia de seguridad.



Este símbolo le llama la atención sobre peligros potenciales que pueden ocasionar la muerte o una lesión a usted y a los demás, así como daños al producto.

Todos los mensajes de seguridad irán a continuación del símbolo de advertencia de seguridad y de la palabra "PELIGRO", "PRECAUCIÓN" o "ADVERTENCIA". Estas palabras significan:

⚠ PELIGRO

Si no sigue las instrucciones de inmediato, usted puede morir o sufrir una lesión grave.

⚠ ADVERTENCIA

Si no sigue las instrucciones, usted puede morir o sufrir una lesión grave.

⚠ PRECAUCION

Indica una situación de peligro inminente la cual, si no se evita, puede resultar en daños menores o daños al producto.

Todos los mensajes de seguridad le dirán el peligro potencial, le dirán cómo reducir las posibilidades de sufrir una lesión y lo que puede suceder si no se siguen las instrucciones.

⚠ ADVERTENCIA

Para reducir el riesgo de fuego, choque eléctrico o lesiones a personas, se deben tomar las siguientes medidas de precaución:

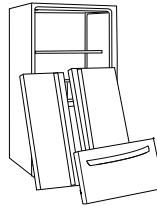
- NUNCA desconecte su refrigerador jalando del enchufe. Siempre tome firmemente el enchufe y desconéctelo directamente de la fuente de poder.
- Repare o reemplace inmediatamente todos los cables de servicio que se han dañado. No use cables que tengan fracturas o daños por abrasión a lo largo del cable o en el enchufe.
- Cuando mueva su refrigerador, tenga cuidado de no pisar el cable de alimentación con los rodillos del aparato.
- No almacene o use gasolina u otros combustibles (líquidos o vapores) cerca de este u otro electrodoméstico.
- No permita que los niños se suban, cuelguen o trepen las puertas o parrillas del refrigerador. Pueden lesionarse y dañar el refrigerador.
- Mantenga sus dedos alejados de aquellas áreas en las que se pueden lesionar tales como las áreas de cierre de puertas, bisagras y gabinetes. Tenga cuidado al cerrar las puertas cuando los niños se encuentren cerca.
- Desenchufe el refrigerador antes de limpiarlo o hacer cualquier reparación.
NOTA: Le recomendamos realizar cualquier clase de servicio con una persona calificada.
- Antes de cambiar un foco (bombilla) quemado, desenchufe el refrigerador o desconecte el circuito de poder para evitar el contacto con un filamento vivo (el foco (bombilla) se puede romper mientras se cambia). **NOTA:** Ajustando los controles a la posición de OFF (apagado) no desconecta la energía del circuito de la iluminación.
- Para su seguridad, este producto debe estar conectado a tierra de manera apropiada. Haga revisar su circuito de electricidad por un electricista calificado para asegurar una buena conexión a tierra.
- Lea todas las instrucciones antes de utilizar el producto.

- Su refrigerador debe ser colocado de manera que el enchufe este accesible para desconectarlo rápidamente, en caso de presentarse un accidente.
- No guarde botellas en el compartimiento del congelador; ya que podrían estallar al congelarse y causar daños.
- Utilice el producto únicamente para el fin que se describe en esta guía.
- Este refrigerador debe estar instalado adecuadamente de acuerdo con las Instrucciones de Instalación que han sido adheridas al frente del refrigerador.
- Una vez que el refrigerador se encuentre en operación, no toque con las manos mojadas las superficies frías del congelador. La piel puede adherirse a estas superficies.
- En aquellos refrigeradores con fábrica automática de hielo, evite el contacto de las partes móviles del mecanismo expulsor, o con el mecanismo de calentamiento que libera los cubos. No coloque sus dedos o manos en estos mecanismos cuando el refrigerador esté conectado.
- No vuelva a congelar los alimentos que hayan sido descongelados previamente. El Departamento de Agricultura de los Estados Unidos, en su Boletín de Casas y Jardines No. 69 establece que:
"..Ud. puede volver a congelar los alimentos que han sido congelados previamente si contienen cristales de hielo o éstos continúan fríos – de bajo de 40 °F (4 °C).
"...La carne molida, percederos o pescado que estén descoloridos o sin olor no deben ser congelados ni ingeridos. La nieve derretida tampoco debe consumirse. Si el olor o color de la comida es cuestionable, deshágase de ella, puede ser peligroso.
"Descongelar parcialmente o volver a congelar los alimentos reduce la calidad de éstos, especialmente las frutas, vegetales y alimentos preparados. La calidad de las carnes rojas puede mantenerse mayor tiempo que los demás alimentos. Use los productos que vuelva a congelar tan pronto como sea posible para mantener su calidad.

GUARDE ESTAS INSTRUCCIONES

⚠ PELIGRO: LOS NIÑOS PUEDEN QUEDAR ENCERRADOS

El atrapamiento y asfixia de niños no es un problema del pasado. Los refrigeradores tirados y abandonados son un peligro, aún si van a quedar ahí "por unos cuantos días". Si Ud. está por deshacerse de su refrigerador viejo, por favor siga las instrucciones que se dan a continuación para prevenir accidentes.



ANTES DE TIRAR SU REFRIGERADOR O CONGELADOR CUANDO YA NO SE USE:

- Saque las puertas
- Deje los estantes en su lugar, así los niños no pueden meterse adentro con facilidad.

CÓMO DESECHAR LOS CFC

Su refrigerador viejo tiene un sistema de refrigeración que utiliza CFC (clorofluorocarbonos). Los CFC afectan a la capa estratosférica de ozono.

También contiene líquidos (refrigerante, lubricantes) y está hecho de materiales los cuales son reutilizables y/o reciclables. Todos estos materiales deben ser enviados a un centro de recolección de material de desecho; ya que pueden ser utilizados después de un proceso de reciclaje.

Si Ud. tira su refrigerador viejo, asegúrese que el refrigerante CFC sea eliminado de la manera apropiada por personal calificado. Si Ud. libera intencionalmente el refrigerante con CFC puede estar sujeto a multas o prisión de acuerdo a las legislaciones ambientales vigentes.

Contacte a la agencia de su localidad para desechar su refrigerador.

REQUERIMIENTOS DE CONEXIÓN A TIERRA

IMPORTANTE: Lea con atención lo siguiente.

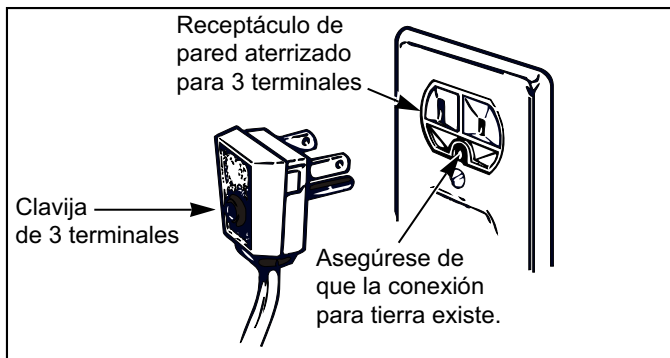
CONEXIÓN

⚠ ADVERTENCIA

Peligro de Choque Eléctrico

PARA SU SEGURIDAD PERSONAL, este aparato debe estar aterrizado apropiadamente.

Haga revisar por un personal experto sus contactos de pared para asegurarse de que el enchufe está conectado a tierra apropiadamente.



MÉTODO DE CONEXIÓN A TIERRA RECOMENDADO

Es su responsabilidad y obligación reemplazar aquellos receptáculos de 2 terminales por uno de 3 terminales conectado debidamente a tierra.

Bajo ninguna circunstancia corte o arranque la tercera terminal (tierra) del enchufe

NOTA: Antes de instalar, limpiar o cambiar los focos, apague el Control (del termostato, refrigerador o congelador, según su modelo) a la posición de OFF. Cuando haya terminado, vuelva a conectar el refrigerador y ajuste el control (de termostato, refrigerador o congelador, según su modelo) a la posición deseada.

USO DE CABLES DE EXTENSIÓN

Nosotros le recomendamos que no utilice los cables de extensión. Sin embargo, si usted desea utilizar un cable de extensión, es absolutamente necesario que se encuentre en la lista de UL (en los Estados Unidos) o en la lista de la CSA (en Canadá), tenga 3 terminales y que soporte una carga de energía de 15 A (mínimo) y 120 V.

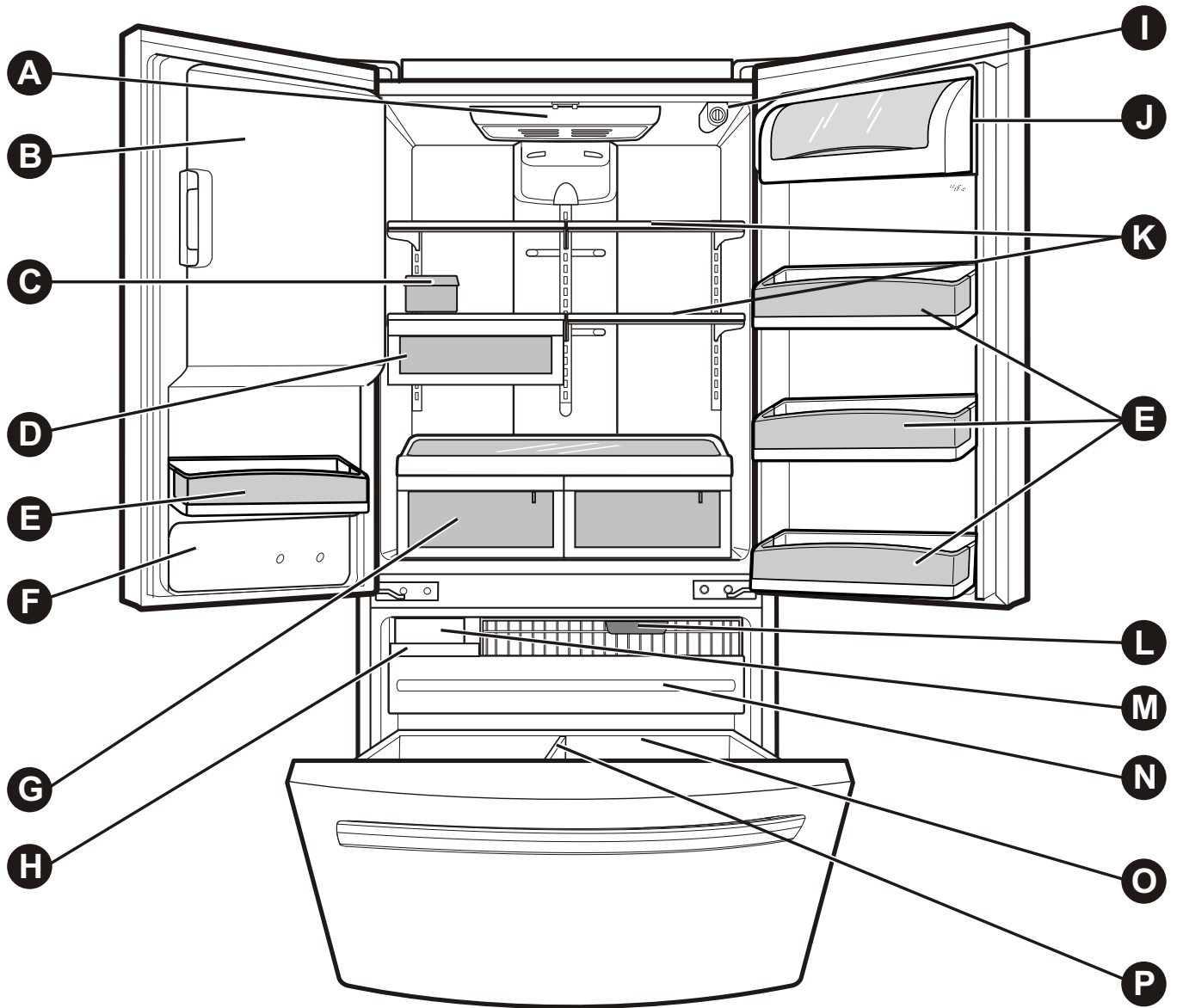
Al usar un cable de extensión, podrá dar más espacio a su refrigerador en la parte de atrás.

⚠ ADVERTENCIA

REEMPLAZO DE CABLE DE CORRIENTE

Si el cordón de alimentación se daña, éste debe ser reemplazado por el fabricante, por nuestro centro de servicio o personal calificado por LG para evitar algún riesgo.

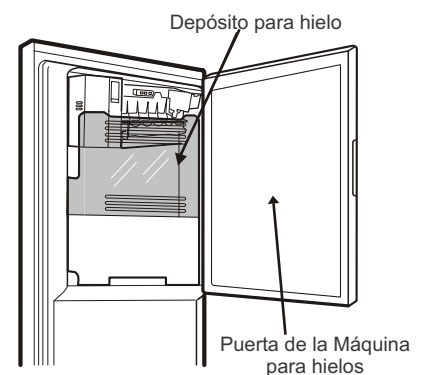
PARTES Y CARACTERÍSTICAS



Use esta sección para que Ud. se familiarice con las partes y características de su nuevo refrigerador.

NOTA: Esta guía cubre distintos modelos. Su refrigerador puede tener algunos o todas las características y partes que se muestran en la siguiente lista. Algunas de las localizaciones de las partes tal vez no concuerden con su modelo.

- | | |
|---|--------------------------------------|
| A Lámpara del refrigerador | J Compartimiento para lacteos |
| B Fábrica de hielos | K Parrillas del refrigerador |
| C Charola para huevos | L Lámpara del congelador |
| D Cajón para aperitivos | M Motor turbo |
| E Depósito con puertas modulares | N Cajón de alambre deslizable |
| F Cubierta del Tanque para agua | O Durabase |
| G Cajón para Verduras | P Divisor del Durabase |
| H Depósito para hielo | |
| I Filtro (Dentro del refrigerador) | |



* Algunos modelos

INSTALACION DEL REFRIGERADOR

⚠ ADVERTENCIA

Peligro de Peso Excesivo

Use dos o más personas para mover e instalar el refrigerador.

No seguir esta instrucción puede ocasionar una lesión en la espalda u otro tipo de lesiones.

DESEMPAQUE

Despegue de su refrigerador las cintas y etiquetas temporales antes de instalarlo. No retire aquellas etiquetas que muestren advertencias, el modelo y número de serie, o la ficha técnica del producto (algunos modelos) que se encuentra en la parte posterior del refrigerador.

Para quitar los residuos de cinta o adhesivo, frote bien con sus dedos un poco de detergente líquido para vajillas encima del adhesivo. Limpie con agua tibia y seque.

No utilice instrumentos filosos, alcohol para fricciones, líquidos inflamables, o productos de limpieza abrasivos para quitar la cinta adhesiva o goma. Estos productos pueden dañar la superficie de su refrigerador. Para obtener más información vea la sección “Instrucciones Importantes de Seguridad”.

Los estantes vienen instalados en su posición de fábrica. Instales los estantes de acuerdo a sus necesidades de espacio.

Cómo mover su refrigerador:

Su refrigerador es muy pesado. Cuando mueva su refrigerador para limpiarlo o darle servicio, proteja el piso. Al mover el refrigerador, siempre tire directamente hacia fuera. No menee el refrigerador de lado a lado ni lo haga “caminar” cuando lo trate de mover ya que podría dañar el piso.

⚠ ADVERTENCIA



Peligro de explosión

Mantenga los materiales y vapores inflamables, tales como gasolina, alejados del refrigerador.

No seguir esta instrucción puede ocasionar la muerte, explosión o incendio.

INSTALACION

1. Evite Colocar la unidad cerca de fuentes de calor, rayos de sol directos o humedad.
2. Para evitar la vibración la unidad debe estar nivelada. Si se requiere, ajuste los tornillos niveladores para compensar el desnivel del suelo.

El frente debe estar ligeramente más alto que la parte posterior para facilitar el cierre de las puertas.

Los tornillos de nivelación pueden girar fácilmente levantando un poco el refrigerador de la parte frontal. Gire los tornillos de nivelación en sentido de las manecillas del reloj (↻) para levantar la unidad o en contra de las manecillas del reloj (↺) para bajarla.

3. Instale el refrigerador en un área que se encuentre entre 55°F (13°C) y 110°F (43°C). Si la temperatura se encuentra fuera de las temperaturas mencionadas, el enfriamiento del aparato puede afectarse.

⚠ **Precaución:** Evite colocar el refrigerador cerca de fuentes de energía, luz solar o humedad.

UNA VEZ INSTALADO

1. Limpie cuidadosamente su refrigerador y remueva el polvo acumulado durante el envío.
2. Instale los accesorios tales como la charola de hielos, cajones, estantes, etc., en los lugares apropiados. Estos estos se encuentran empacados para prevenir daños durante el transporte.

3. Deje su refrigerador encendido de 2 a 3 h antes de guardar alimentos.

Verifique el flujo de aire frío en el compartimento del congelador para asegurarse de que la unidad enfría apropiadamente.

Su refrigerador está listo para usarse ahora.

⚠ ADVERTENCIA

- Tenga cuidado cuando trabaje con la bisagra, la cubierta de la base, los topes, etc. Puede lastimarse.
- No ponga sus manos o herramientas en las salidas de aire, la cubierta de la base o en la parte de abajo del refrigerador. Puede lastimarse o recibir un choque eléctrico.

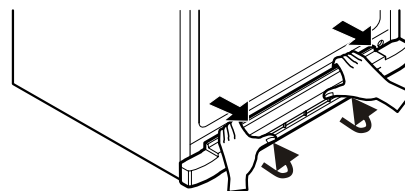
PARRILLA INFERIOR

Para quitar la parrilla inferior:

1. Agarre firmemente la parrilla inferior con ambas manos.
2. Empuje la parrilla inferior hacia Ud.

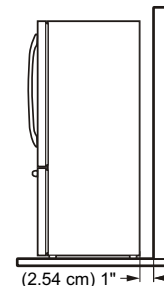
Para poner la parrilla inferior:

1. Coloque los sujetadores en las ranuras del panel de metal.
2. Empuje la parrilla inferior hacia el refrigerador hasta que quede en su posición.



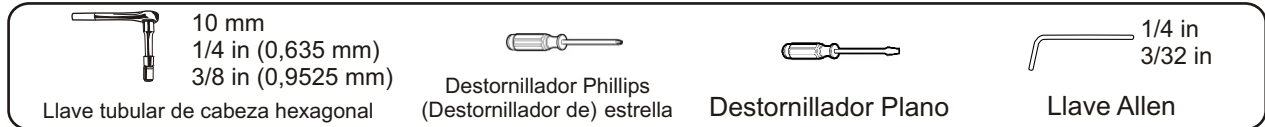
A una distancia adecuada de elementos cercanos

Por favor, mantenga el refrigerador a una distancia prudente de otros objetos. Una distancia demasiado reducida entre la unidad y los elementos cercanos podría conllevar una reducción de la capacidad de congelación y un aumento del consumo de electricidad.



INSTALACION DEL REFRIGERADOR

HERRAMIENTA QUE USTED PUEDE NECESITAR



CÓMO QUITAR LAS JALADERAS DE LA PUERTA

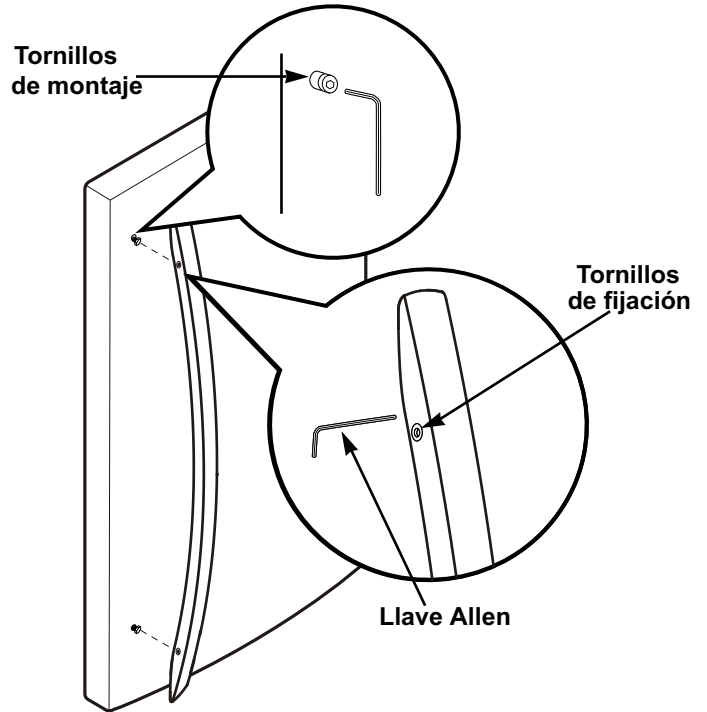
Para mover el refrigerador a través de la puerta de una casa, puede que sea necesario remover las manijas de la puerta del refrigerador.

NOTA: La apariencia de la jaladera puede ser diferente a las que aparecen en las figuras de esta página.

1. Para quitar la jaladera del refrigerador

- Afloje los tornillos de fijación con una llave Allen de 3/32" y retire la manija.

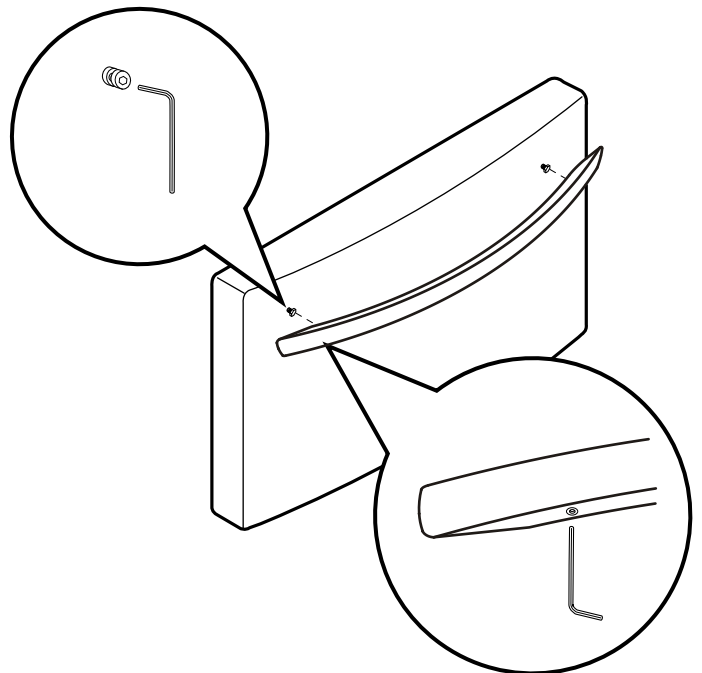
NOTA: Para ajustar o retirar los tornillos de montaje de la manija utilice una llave Allen de 1/4".



2. Para quitar la jaladera del Cajón del congelador

- Afloje los tornillos de fijación ubicados en la parte inferior de la manija con una llave Allen de 3/32" y retire la manija.

NOTA: Para ajustar o retirar los tornillos de montaje de la manija utilice una llave Allen de 1/4".



INSTALACION DEL REFRIGERADOR

COMO REMOVER Y REEMPLAZAR LAS PUERTAS DEL REFRIGERADOR

1. Removiendo las puertas

NOTE: La apariencia de la jaladera puede variar.

IMPORTANTE: Antes de empezar, apague el refrigerador y desconéctelo. Quite la comida y los soportes de las puertas.

► Puerta Izquierda

- Afloje los tornillos y retire la cubierta en la parte posterior (Vea figura A).
- Desconecte el tubo abastecedor de agua empujando detrás del anillo de desconexión (3).
- Afloje el tornillo de la cubierta (1).
- Desconecte el cable del interruptor de la puerta (2).
- Saque el tubo (4).

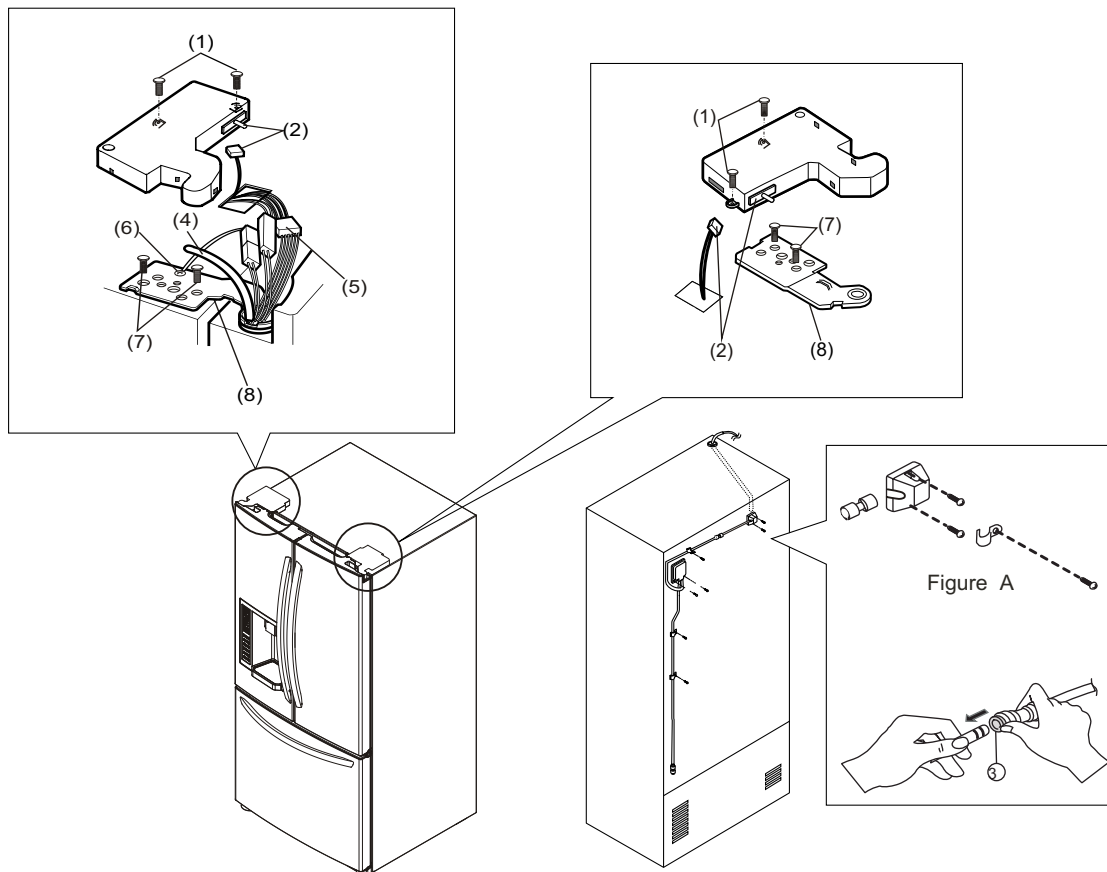
⚠ PRECAUCION: Si el extremo del tubo esta deformado o hacia afuera, corte la porción dañada.

- Desconecte los harneses (5).
- Remueva el tornillo de tierra (6).
- Afloje los tornillos (7) y quite la bisagra superior (8).
- Coloque la puerta sobre una superficie en la que no se raye con la cara interior hacia arriba.

⚠ PRECAUCION: Cuando quite la bisagra superior, asegúrese de que no caiga la puerta hacia adelante.

► Puerta Derecha

- Afloje el tornillo de la tapa (1).
- Desconecte el arnés (2).
- Afloje los tornillos (7) y quite la bisagra superior (8).
- Coloque la puerta sobre una superficie en la que no se raye con la cara interior hacia arriba.



INSTALACION DEL REFRIGERADOR

2. Reemplazando la puerta del Refrigerador

► Puerta Derecha

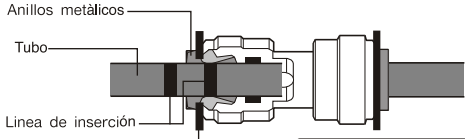
- Haga descender la puerta hacia el pasador situado en la mitad de la bisagra (9). Asegúrese que la puerta queda alineada con el gabinete.
- Sustituya la bisagra superior (8) instalando los tornillos (7) para asegurarla.
- Asegúrese que al cerrar la puerta quede nivelada contra el gabinete y que no este doblada. Apoye la puerta sobre el lado de la manija mientras asegura la bisagra. Asegúrese que la puerta queda recta y que el hueco entre las puertas sea igual.
- Conecte el interruptor a la puerta (2).
- Apriete el tornillo de la tapa (1).

► Puerta Izquierda

- Haga descender la puerta hacia el pasador situado en la mitad de la bisagra (10). Asegúrese que la puerta queda alineada con el gabinete.
- Sustituya la bisagra superior (8) instalando los tornillos (7) para asegurarla.
- Asegúrese que la junta de puerta quede nivelada contra el gabinete y que no este doblada. Apoye la puerta sobre el lado de la manija mientras aprieta. Asegúrese que la puerta queda recta y que el hueco entre las puertas sea igual.
- Inserte el tubo abastecedor de agua (4) dentro del tubo conector hasta que usted solo vea la escala de la marca. (Inserte completamente el tubo sobre 5/8" (15mm)).
- Instale el tornillo de tierra (6) y conecte el arnés (5).
- Conecte el interruptor de la puerta(2).
- Apriete el tornillo de la puerta (1).

• **Desensamblar**

1. Retire la abrazadera.
2. Extraiga el tubo mientras presiona los anillos metálicos y desmóntelo.

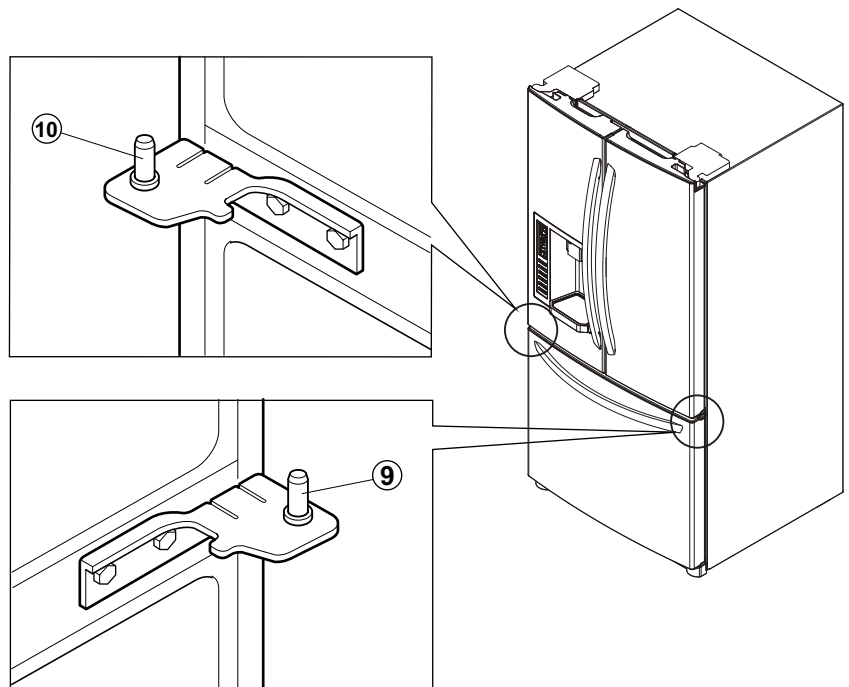
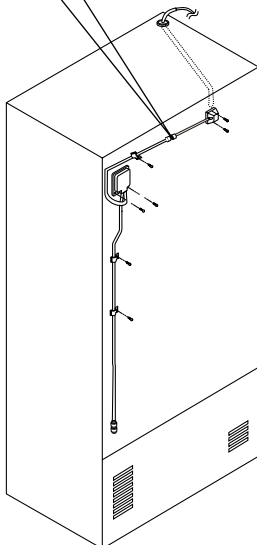


Anillos metálicos
Tubo
Linea de inserción
Abrazadera

Conecte el tubo de color
• Azul con Azul
• Blanco con Blanco

• **Ensamblar**

1. Inserte el tubo hasta que sólo pueda ver una línea.
2. Tras insertarlo, extraiga el tubo para comprobar si ha sido insertado correctamente.
3. Monte la abrazadera.



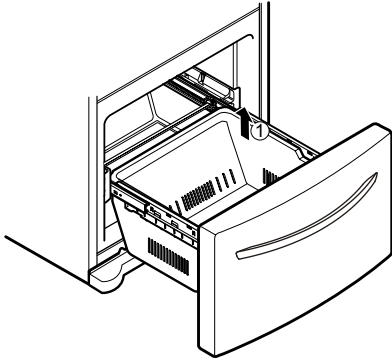
INSTALACION DEL REFRIGERADOR

CÓMO RETIRAR E INSTALAR EL CAJÓN DESLIZABLE

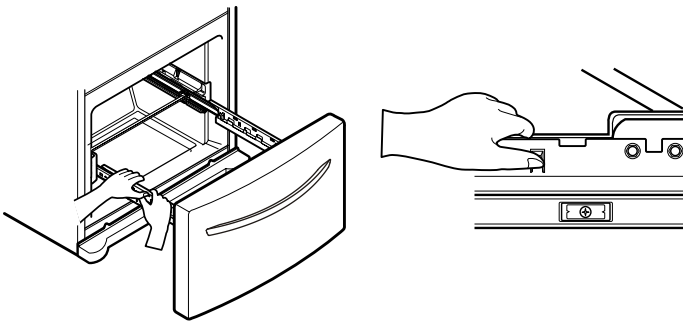
IMPORTANTE: Para evitar una posible lesión, daño al producto o a la propiedad, Ud. necesitará dos personas para ejecutar las instrucciones siguientes:

1. Para Retirar el Cajón Deslizable

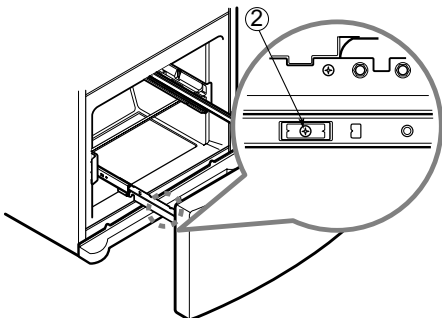
- Jale el cajón abierto al máximo. Retire la canasta inferior (1) levantándola del sistema de rieles.



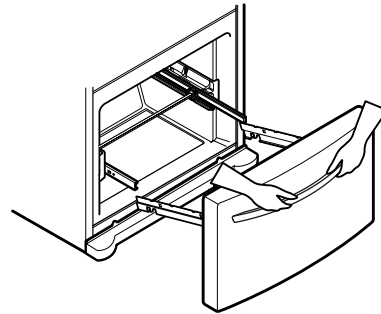
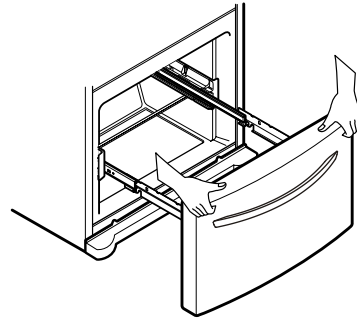
- Presione las dos perchas con los pulgares para elevarla.
- Separe la cubierta izquierda y derecha de la guía.



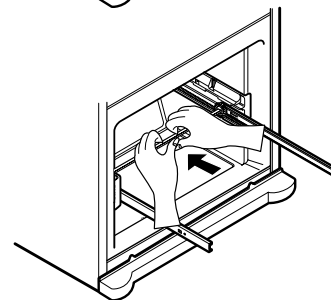
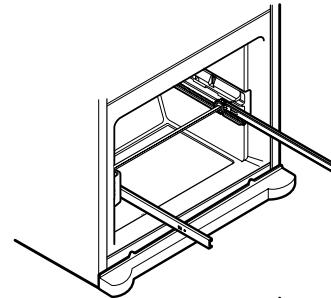
- Retire los tornillos(2) de ambos lados de la guía.



- Con ambas manos, sujete los dos lados de la puerta y tire hacia arriba para separarla.



- Con ambas manos, sujete el centro de la barra y empuje hacia dentro para que las dos guías encajen a la vez.



⚠ CUIDADO: Cuando Ud. quite el cajón, no sostenga la agarradera. Si se sale, podría causar lesiones personales.

⚠ CUIDADO: Al colocar el cajón en el piso, tenga cuidado de no dañar el piso y lesionarse el pie con las orillas afiladas en el lado de la bisagra.

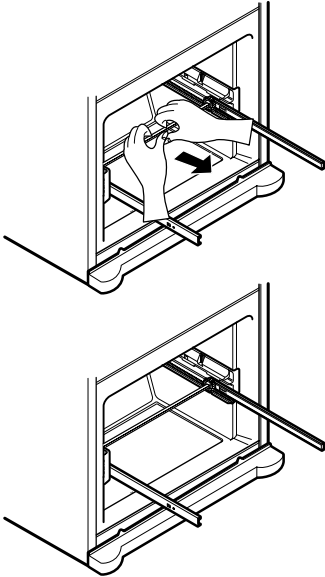
INSTALACION DEL REFRIGERADOR

CÓMO RETIRAR E INSTALAR EL CAJÓN DESLIZABLE

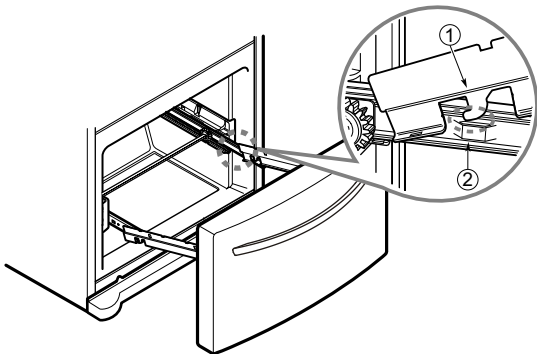
IMPORTANTE: Para evitar una posible lesión, daño al producto o a la propiedad, Ud. necesitará dos personas para ejecutar las instrucciones siguientes:

2. Instalación del Cajón Deslizable

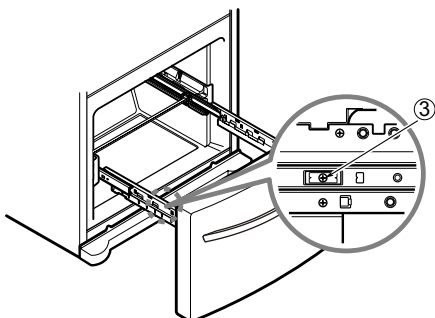
- Con ambas manos, sujete el centro de la barra y tire hacia afuera para que las dos guías salgan a la vez.



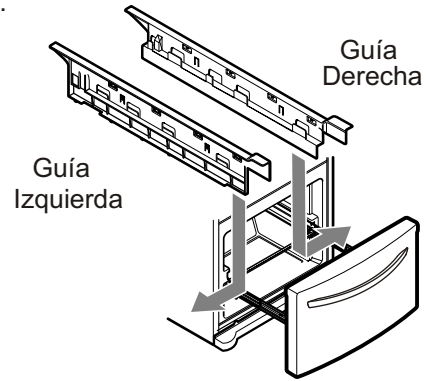
- Monte el conector de la puerta (1) a la percha de la guía (2).



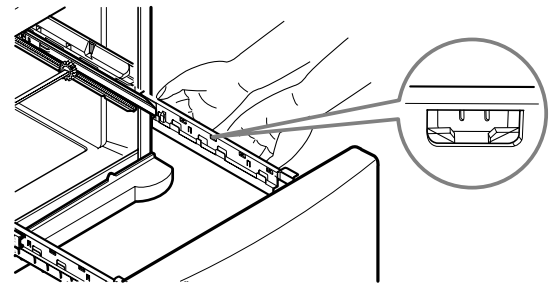
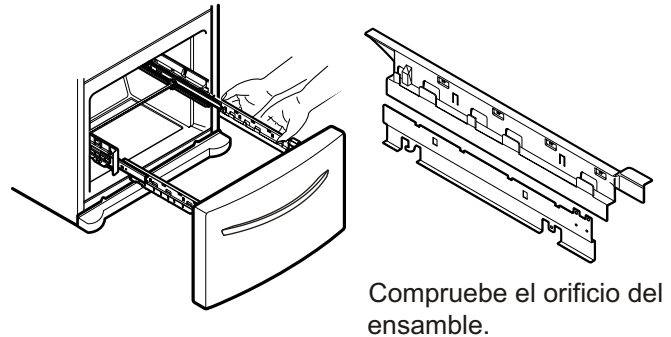
- Empuje hacia abajo y monte el conector de la puerta apretando los tornillos (3).



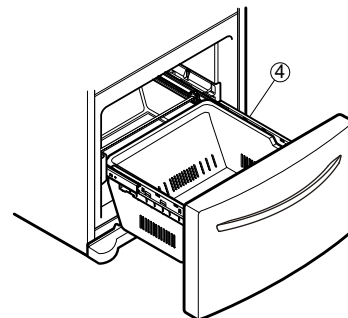
- Compruebe la parte izquierda y derecha de la guía de la cubierta.



- Alinee los orificios superiores de la cubierta de la guía con los orificios superiores del conector de la puerta para montar la guía de la cubierta.



Con el cajón extraído en toda su extensión, inserte la canasta inferior (4) en el ensamble del riel hasta que no se mueva hacia adelante.



⚠ ADVERTENCIA. Para prevenir riesgos de atrapamiento sofocacion accidental de niños y mascotas NO le permita jugar dentro del cajón.

⚠ ADVERTENCIA. NO se pare ni se siente sobre la puerta del congelador.

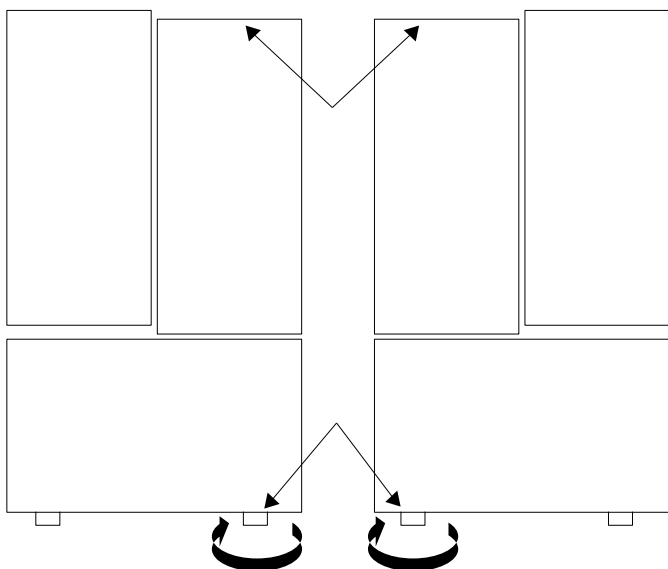
NIVELACIÓN Y ALINEACIÓN DE LA PUERTA

Nivelación

Su refrigerador tiene dos tornillos de nivelación al frente, uno a la derecha y uno a la izquierda. Si su refrigerador parece inestable o quiere que las puertas cierren más fácilmente, ajuste la inclinación del refrigerador usando las siguientes instrucciones:

1. Conecte el cable de alimentación del refrigerador a entrada de tres espigas que esté conectada a tierra. Mueva el refrigerador a su posición final.
2. Gire el sentido del tornillo de nivelación en el sentido de las manecillas del reloj para elevar ese lado del refrigerador o en el sentido contrario de las manecillas del reloj para bajarlo. Puede requerir varias vueltas para ajustar la nivelación del refrigerador.

NOTA: Hacer que alguien empuje contra la parte superior del refrigerador quita algo de peso aplicado a los tornillos de nivelación. Esto hace más fácil ajustarlos.



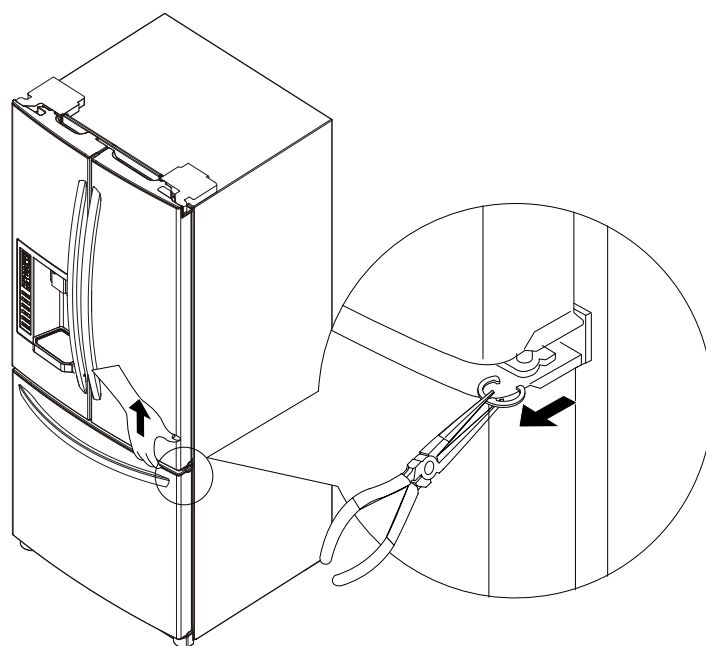
3. Abra ambas puertas otra vez, para asegurarse que cierren fácilmente. Si no, incline el refrigerador un poco más hacia atrás girando ambos tornillos en el sentido de las manecillas del reloj. Puede requerir varias vueltas más y usted deberá girar la misma cantidad a ambos tornillos niveladores.
4. Reajuste si es necesario.
5. Sustituya la cubierta inferior.

NOTA: Su refrigerador nuevo está diseñado de forma única con dos puertas para alimento fresco. Cada puerta se puede abrir o cerrar independientemente una de otra. Debe ejercer una ligera presión en las puertas para conseguir que se cierren totalmente.

Alineación de la Puerta

Si el espacio entre sus puertas es desigual, siga las siguientes instrucciones para la alineación de las puertas:

1. Con una mano, levante la puerta que desea en la bisagra media.
2. Con la otra mano, use los alicates para insertar el anillo de retención como se muestra.
3. Inserte los anillos de retención adicionales hasta que las puertas se alineen. (Se suministran 3 anillos de retención por unidad).



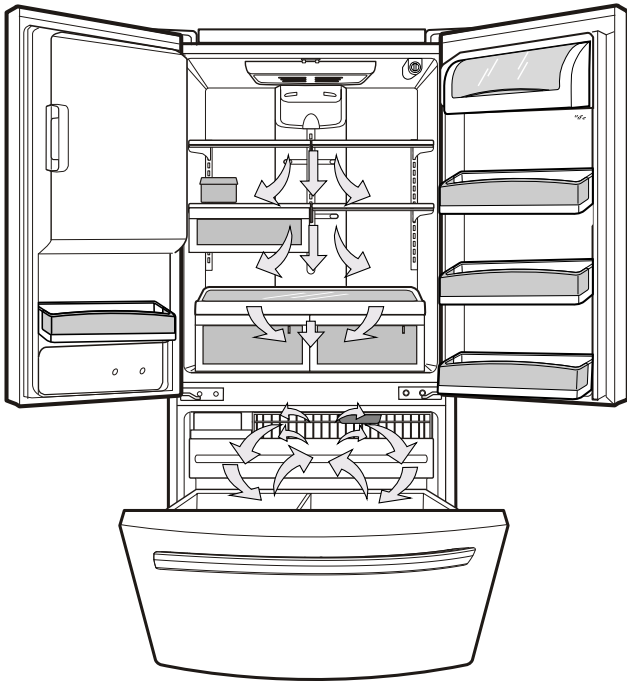
USO DEL REFRIGERADOR

CIRCULACIÓN APROPIADA DE AIRE

Para obtener temperaturas estables, el aire debe fluir entre las secciones del congelador y refrigerador. Como se muestra en la ilustración de abajo, el aire frío entra a través de la parte superior del congelador y circula hacia abajo. Del fondo del congelador el aire forzando hasta la parte superior del refrigerador. El aire entra a través de la ventila superior, después circula en la parte inferior donde vuelve al congelador.

MULTI FLOW

- El ventilador de enfriamiento es más poderoso y efectivo que otros. Esto se puede notar considerablemente cada vez que se introduce comida al compartimiento del refrigerador.
- Si se introduce agua u otra sustancia a las ventilas, la eficiencia disminuirá. Además si el sello esta dañado la eficiencia disminuirá ya que el aire frío se escapa.



No bloquee ninguna de estas ventilas de aire fresco con paquetes de comida. Si las ventilas se bloquean, el flujo de aire se interrumpe, lo que puede ocasionar problemas de humedad y temperatura.

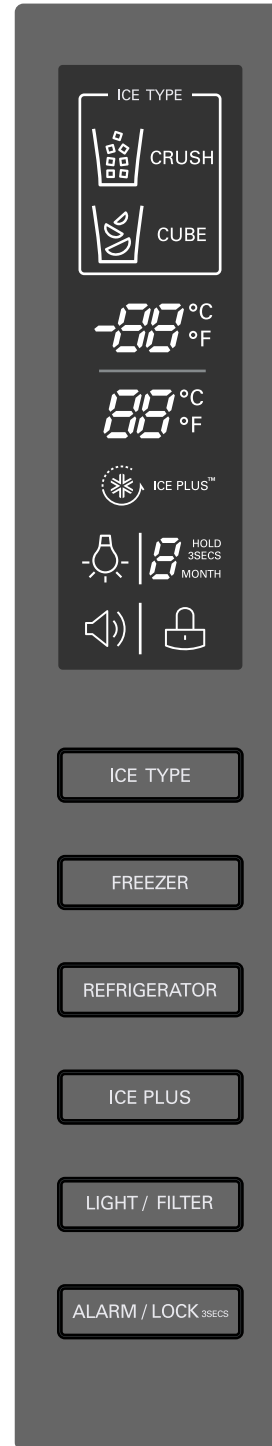
IMPORTANTE: Debido a que el aire circula entre ambas secciones del refrigerador, los olores pueden transferirse fácilmente. Ud. debe limpiar ambas secciones para eliminar olores. Para prevenir la transferencia de olores o sequedad en los alimentos, cubra adecuadamente la comida. (Vea la sección Guía de Almacenamiento de Alimentos para mayores detalles)

ALARMA DE LA PUERTA

Con esta característica usted escuchará una alarma cuando la puerta del congelador o del refrigerador no es cerrada dentro de 1 min después de que se abre. Estos tonos se repiten cada 30 s. Esta alarma es cancelada cuando la puerta del congelador o del refrigerador es cerrada correctamente.

PANEL DE CONTROL

Presione el botón para ver la función deseada y seleccionar otras funciones. Para detalles completos sobre las funciones, ver páginas 16-17.



• PANTALLA LED

La pantalla LED muestra las configuraciones de temperatura, opciones del dispensador, y del filtro para agua, alarma de la puerta y mensajes de estado de bloqueo.

• ICE TYPE (TIPO DE HIELO)

El botón ICE TYPE (tipo de hielo) es usado para seleccionar entre cubos de hielo o hielo triturado.

• FREEZER (CONGELADOR)

Presiona el botón FREEZER (congelador) para ajustar la temperatura del compartimiento del congelador.

• REFRIGERATOR (REFRIGERADOR)

Presiona el botón REFRIGERATOR (refrigerador) para ajustar la temperatura del compartimiento del refrigerador.

NOTA: Cuando presione simultáneamente con el botón REFRIGERATOR (refrigerador) por más de cinco segundos, cambiará la temperatura de Fahrenheit a Celsius o viceversa.

• ICE PLUS (CONGELACION RAPIDA)

Presione este botón para activar la función ICE PLUS (congelación rápida), la cual aumenta la producción de hielo aproximadamente 20%.

• LUZ/FILTRO (LIGHT/FILTER)

El botón LUZ/FILTRO (LIGHT/FILTER) controla la lámpara del dispenser. Restablece el indicador de sustitución del filtro de agua cuando el filtro para agua ha sido reemplazado.

• ALARM/LOCK (ALARMA/BLOQUEO)

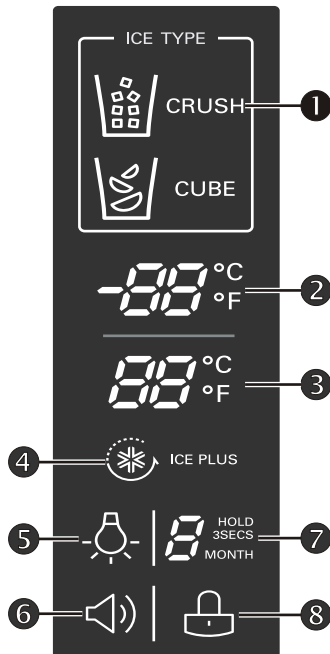
Presione este botón para controlar la alarma cuando la puerta esté abierta. Presiona este botón para bloquear o desbloquear las funciones del resto de los botones el panel de control, incluyendo el funcionamiento del dispensador.

Modo apagado del control de temperatura: Para activar esta función presione y sostenga las teclas de ICE PLUS (congelación rápida) y FREEZER (congelador) por mas de 5 segundos hasta que las luces de la pantalla se apaguen. Si la alguna tecla es presionada o cualquier puerta se abre, las luces permanecerán encendidas y después de 20 segundos de inactividad las luces volverán a apagarse automáticamente. Para mantener encendido el control de temperatura presione y sostenga nuevamente las teclas de ICE PLUS (congelación rápida) y FREEZER (congelador) por mas de 5 segundos hasta que las luces enciendan y se apaguen rápidamente. El modo apagado del control de temperatura no afecta el desempeño térmico de la unidad.

USO DEL REFRIGERADOR

CONFIGURAR LOS CONTROLES

La pantalla LED muestra las configuraciones de temperatura, opciones del dispensador, y el filtro para agua, alarma de la puerta, y mandajes de bloqueo.



- 1 Indicador de selección del Dispensador**
Muestra la selección de hielo triturado, agua o cubos de hielo, que se dispensará cuando se presione el interruptor.
- 2 Temperatura del congelador**
Indica la temperatura establecida del congelador en Celcius o Farenheit.
- 3 Temperatura del refrigerador**
Indica la temperatura establecida del refrigerador en Celcius o Farenheit.
- 4 Congelación rápida (Ice Plus)**
Cuando presione el botón de Congelación rápida (Ice Plus), la pantalla mostrará la función seleccionada que se ha activado.
- 5 Indicador de luz del dispensador**
Cuando el botón de luz sea presionado la pantalla mostrará la función seleccionada: Cuando la luz del dispensador esté encendida, el indicador aparecerá en la pantalla.
- 6 Indicador de alarma de la puerta**
Este indicador muestra que se ha activado la alarma de advertencia de apertura de puerta.
- 7 Estado del filtro para agua**
Este indicador muestra el estado actual del filtro para agua. Ver reconfiguración del indicador de filtro.
- 8 Estado de bloqueo**
Este indicador muestra el estado actual de las funciones del panel de control que se encuentra configurado en LOCK (bloqueo).

COMO REGULAR LOS CONTROLES

Ajuste de temperatura del congelador

Para ajustar la temperatura del congelador, presione el botón FREEZER (congelador) para desplazarse a través de las opciones de configuración.



0 °F

Ajuste de temperatura del refrigerador

Para ajustar la temperatura en el compartimiento del refrigerador presione el botón REFRIGERATOR (refrigerador) para desplazarse a través de las opciones de configuración.



37 °F

NOTA: La temperatura actual varía en relación al estado de los alimentos, ya que la configuración de temperatura indicada es la temperatura a alcanzar y no la temperatura real dentro del refrigerador. Inicialmente configure el CONTROL DEL REFRIGERADOR en 37°F (3°C). Deje ésta configuración durante 24 horas (un día) para estabilizar. Luego ajuste la temperatura como se indica.

Visualización de temperatura

Para cambiar la visualización de temperatura de Fahrenheit a Celsius:

- Simultáneamente presione y sostenga los botones FREEZER y REFRIGERATOR (congelador y refrigerador) por más de 5 segundos.
- Realice los mismos pasos para regresar a Fahrenheit.

COMO OPERAR EL DISPENSADOR



Dispensando hielo triturado

Presione el botón ICE TYPE (tipo de hielo) para iluminar el ícono de hielo triturado.



Presione el interruptor de presión con un vaso u otro recipiente y se dispensará hielo triturado.



Presione el interruptor de presión con un vaso u otro recipiente y se dispensarán cubos de hielo.

NOTA: Sostenga el vaso u otro recipiente en su lugar durante unos segundos después de servirse hielo o agua para no dejar caer las últimas gotas de agua o cubos de hielo. El dispensador está diseñado para no accionarse cuando las puertas del refrigerador están abiertas.

COMO DISPENSAR AGUA




Presione el botón DISPENSER (dispensador) para iluminar el ícono de agua. Presione el interruptor de presión con un vaso u otro recipiente y se dispensará agua fría.

Cuando el botón de agua o el de activación del agua esté pulsado, se iluminará el ícono de agua.

USO DEL REFRIGERADOR

LIGHT / FILTER

 Presione el botón LIGHT/FILTER (luz/filtro) para encender y apagar la luz del dispensador.

6 HOLD 3SECS
MONTH

Presione y sostenga el botón LIGHT/FILTER (luz/filtro) por más de 3 segundos para reconfigurar el indicador de filtro después de que haya sido cambiado el filtro para agua.

COMO CONFIGURAR LAS OPCIONES

Presione el botón de la función deseada para visualizar y seleccionar otras configuraciones.



Presione y sostenga el botón ALARM/LOCK (alarma/bloqueo) durante 3 segundos para bloquear el dispensador y todas las funciones del panel de control. Presione y sostenga de nuevo por 3 segundos para desbloquear.



El botón ALARM/LOCK (alarma/bloqueo) también controla la alarma de puerta abierta que suena tres veces a intervalos de 30 segundos cuando se deja abierta una puerta por más de 60 segundos. La alarma deja de sonar cuando se cierra la puerta.

Presiona el botón ALARM/LOOK (alarma/bloqueo) una vez para activar o desactivar la función de alarma en la puerta.

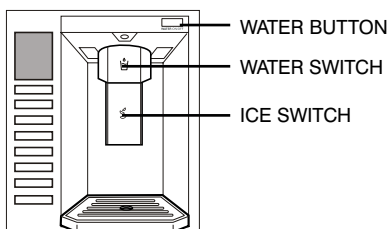


Presione el botón ICE PLUS (congelación rápida) una vez para activar ésta función el icono de ICE PLUS (congelación rápida) del panel de visualización se iluminará cuando se active. En la sección del refrigerador funcionará a la temperatura más baja durante 24 horas para aumentar la producción de hielo un 20%, después se apagará automáticamente.

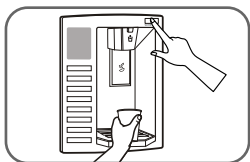
Presion el botón de nuevo para cancelar esta función.

⚠ PRECAUCION

Cuando abra el compartimento ligeramente, manténgase lo más cerca posible de la salida del agua o del dispensador de hielo.



Incorrecto



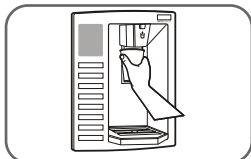
Correcto



Incorrecto



Correcto



AJUSTE DE CONFIGURACIÓN DE CONTROLES

De tiempo al refrigerador de enfriarse completamente antes de hacer los ajustes finales. Es mejor espera 24 h antes de hacer esto. Las medidas indicadas en la sección anterior deberán ser correctas para el uso del refrigerador a nivel doméstico. Los controles estarán correctamente ajustados cuando la leche o el jugo estén fríos y el helado esté firme como a usted le guste.

El control del refrigerador funciona como si fuera el termostato de todo el aparato (secciones del refrigerador y congelador). Cuanto más alto sea el ajuste más tiempo funcional tendrá el compresor para mantener la temperatura más fría. El control del congelador ajusta el flujo de aire frío desde el congelador al refrigerador. Ajustar el control del congelador a una temperatura más baja mantiene más aire frío en el compartimiento del congelador para hacerlo más frío.

Si usted necesita ajustar las temperaturas en el refrigerador o en el congelador, comience por ajustar la del refrigerador. Luego espere 24 h antes de verificar las temperaturas del congelador. Si esta demasiado caliente o demasiado frío, entonces ajuste el control del congelador.

Use las configuraciones listadas en la tabla siguiente, como una guía. **Recuerde siempre esperar al menos 24 h entre ajustes.**

CONDICIÓN/RAZÓN	AJUSTE RECOMENDADO:
La sección del REFRIGERADOR se encuentra "tibia" <ul style="list-style-type: none"> Se abre la puerta frecuentemente Se almacena gran cantidad de alimentos La temperatura ambiente es muy alta. 	Ajuste el Control del REFRIGERADOR Al siguiente dígito superior, espere 24h y verifique.
La sección del CONGELADOR se encuentra "tibia" / los hielos no se forman rápidamente <ul style="list-style-type: none"> Se abre la puerta frecuentemente Se almacena gran cantidad de alimentos La temperatura ambiente es muy baja (no se realizan ciclos suficientemente frecuentes) Se utilizan hielos muy frecuentemente El difusor de aire se ha bloqueado con algunos artículos 	Ajuste el Control del CONGELADOR al siguiente dígito superior, espere 24h y verifique. Quite los objetos que bloqueen la salida del aire.
La sección del REFRIGERADOR está muy fría <ul style="list-style-type: none"> El Control no se encuentra ajustado a las condiciones deseadas. 	Ajuste el Control del REFRIGERADOR al siguiente dígito inferior, espere 24h y verifique.
La sección del CONGELADOR está muy fría <ul style="list-style-type: none"> El Control no se encuentra ajustado a las condiciones deseadas 	Ajuste el Control del CONGELADOR al siguiente dígito inferior, espere 24h y verifique.

GUÍA PARA ALMACENAR ALIMENTOS

Para guardar Alimentos Frescos

Guarde o envuelva los alimentos en recipientes cerrados o bolsas que eviten la entrada de aire y humedad. Esto evitará que los olores y sabores de los alimentos se transfieran dentro del refrigerador. Para productos perecederos, revise la fecha de caducidad para asegurar su frescura.

Mantequilla o Margarina

Mantenga la mantequilla cubierta en un recipiente o en el compartimento cerrado. Cuando desee almacenar una mayor cantidad, envuélvala y guárdela en el congelador.

Queso

Guarde el queso en su envoltura original hasta que se desee usarlo. Una vez abierto, envuélvalo firmemente con envoltura plástica o papel aluminio.

Leche

Limpie los cartones de leche. Para un mejor almacenamiento, coloque la leche en una charola interior.

Huevos

Guárdelos en su empaque original o en la charola para huevos.

Fruta

Lave y deje secar la fruta. Después guárdela en bolsas de plástico dentro del refrigerador. No lave o enjuague las moras hasta que estén listas para consumirse. Las moras deben ser seleccionadas y guardadas en su empaque original (si lo hay) o en una bolsa de papel a medio cerrar dentro de uno de los estantes.

Vegetales con Hojas

Quite la envoltura original y remueva de los vegetales aquellas partes sucias o descoloridas. Lávelas con agua fría y escúrralas. Colóquelas en una bolsa o contenedor plástico y guárdelas en el cajón de vegetales del refrigerador.

Vegetales con Piel (pimiento, zanahoria)

Colóquelos en bolsas o contenedores plásticos dentro del cajón de vegetales del refrigerador.

Pescado

Consuma los pescados y mariscos el mismo día que los adquirió.

Carne

Conserve la carne en su empaque original, el cual no debe permitir la entrada de aire y humedad. Vuelva a envolver si es necesario.

Sobras de Alimentos

Cubra las sobras con envoltura de plástico o papel aluminio. También puede usar contenedores plásticos con tapas firmes.

PARA GUARDAR ALIMENTOS CONGELADOS

NOTA: Para mayor información acerca de cómo preparar los alimentos para congelarlos así como para ver el tiempo que pueden ser almacenados, consulte una guía sobre congelamiento o una guía para cocinar

Empaque

Una buena congelación depende de un empaque correcto. Cuando Ud. cierra y sella el empaque, no permitirá el acceso del aire y humedad a los alimentos. Un mal empaque resultará en la transmisión de olores y sabores dentro del refrigerador, así como la resequeza de los alimentos congelados.

Recomendaciones de empaque:

- Usar contenedores plásticos con tapas rígidas.
- Utilizar envases o jarras de superficies lisas.
- Empacar con papel aluminio de alta resistencia.
- Envolver con papel revestido con plástico.
- Utilizar plástico impermeable.
- Usar bolsas de plástico especiales para congelar.

Siga las instrucciones del empaque o recipiente para lograr un mejor congelamiento.

No utilice:

- Envolturas del pan.
- Recipientes de plástico que no sean de polietileno.
- Recipientes sin tapas rígidas o firmes.
- Papel encerado o plástico encerado.
- Envolturas delgadas o poco permeables.

Congelamiento

IMPORTANTE: No guarde botellas en el compartimento del congelador; ya que podrían estallar al congelarse y causar daños.

Su refrigerador no congelará rápidamente cualquier cantidad excesiva de alimentos. No introduzca una cantidad mayor de alimentos sin congelar que la que pueda congelarse dentro de 24 h (no más de 2 a 3 libras de alimento por pie cúbico del espacio en el congelador ó bien no mas de 0,453 a 1,360 Kg de alimentos por cada 28 litros del espacio en congelador).

Deje el suficiente espacio en el congelador para que el aire circule alrededor de los paquetes. Deje espacio suficiente al frente para que la puerta cierre sin dificultad.

Los tiempos de almacenaje pueden variar de acuerdo a la calidad y tipo de comida, el tipo de empaque o envoltura usada (a prueba de humedad y aire), y a la temperatura de almacenaje. Los cristales de hielo formado adentro de un empaque cerrado son normales, lo que indica que la humedad de los alimentos y el aire contenido dentro del empaque se ha condensado.

NOTA: Deje que los alimentos calientes se enfríen a temperatura ambiente durante 30 min, después envuélvalos con los métodos mencionados y congélelos. Al enfriar los alimentos calientes antes de introducirlos al congelador, Ud. ahorra energía.

⚠ ADVERTENCIA

Peligro de sofocamiento

Ventile adecuadamente la habitación cuando utilice hielo seco. El hielo seco es dióxido de carbono (**CO₂**) congelado. Cuando se evapora, éste emana oxígeno, causando mareos, dolores de cabeza leves, inconciencia o muerte por sofocamiento. Abra una ventana y no inhale estos vapores.

SECCION DEL REFRIGERADOR

ESTANTES DEL REFRIGERADOR

Los estantes de su refrigerador se ajustan para cumplir con sus necesidades de almacenamiento. Su modelo puede incluir estantes de vidrio o alambre.

Almacenar apropiadamente los alimentos en su refrigerador, y ajustando los estantes para que tengan distintas alturas hará más fácil la búsqueda de los artículos que Ud. necesita. Esto también reducirá el tiempo en el que se encuentran abiertas las puertas, lo que ahorrará energía.

IMPORTANTE: No limpie los estantes de vidrio con agua caliente o tibia cuando estos se encuentren fríos. Los estantes se pueden quebrar si se exponen a cambios bruscos de temperatura o impactos fuertes. Para su seguridad, los estantes están fabricados con vidrio templado para que al romperse se fracturen en muchos pedazos pequeños. Esto es normal.

NOTA: Los estantes de vidrio son pesados. Tenga especial cuidado cuando los mueva de lugar para evitar impactos por caída.

• Para ajustar los estantes

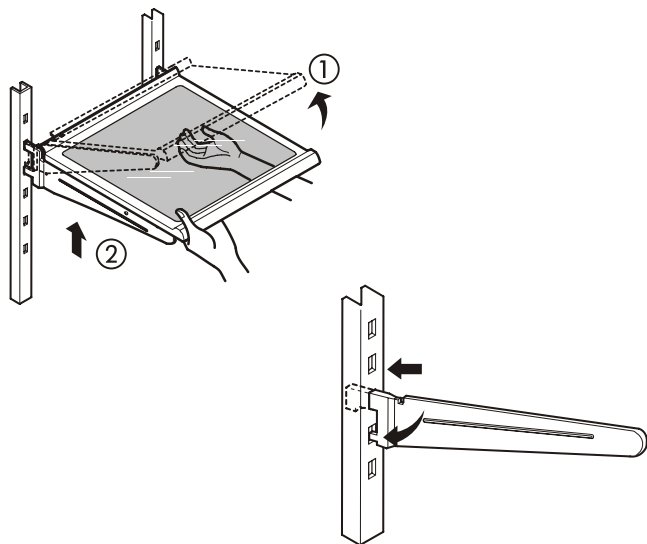
Retire los estantes de su posición de fábrica y póngalos en la posición que a Ud. le sea más útil.

• Para quitar un estante

Incline el estante por la parte frontal en la dirección que se muestra en (1) y levántelo en la dirección (2). Jale el estante hacia usted.

• Para poner un estante

Incline la parte frontal del estante y guíe los ganchos del estante hacia los orificios a la altura que usted desee. Después baje el frente del estante para que los ganchos calcen con los soportes del estante.



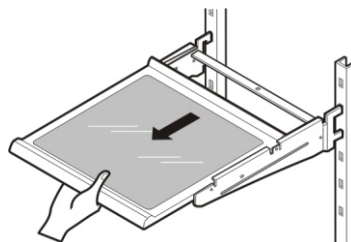
NOTA: Asegúrese de que el estante está instalado de manera horizontal. Si no lo hace, puede provocar que el estante se caiga, lo que causaría el derrame o caída de alimentos.

NOTA: Asegúrese de que el estante está instalado de manera horizontal. Si no lo hace, puede provocar que el estante se caiga, lo que causaría el derrame o caída de alimentos.

Estantes Deslizables (en algunos modelos)

Ud. puede deslizar algunos de los estantes de su refrigerador hacia fuera o hacia adentro como a continuación se describe:

- **Para deslizar el estante hacia fuera**, jale cuidadosamente hacia Ud. el frente del estante.
- **Para deslizar el estante hacia adentro**, empuje el estante hasta que tope.



Para quitar un estante del marco de metal:

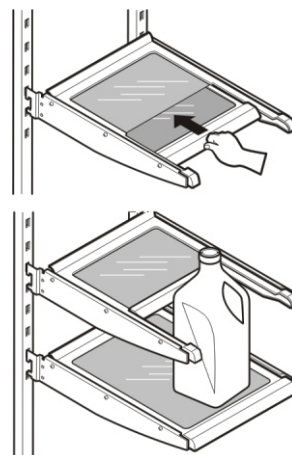
1. Jale el estante hasta que tope.
2. Incline el frente del estante hacia arriba y jálalo un poco hacia delante.
3. Levante el estante de manera que se mueva a través de los orificios del soporte.

Vuelva a colocar el estante en orden inverso.

Estantes Funcionales (en algunos modelos)

• Estante Plegable:

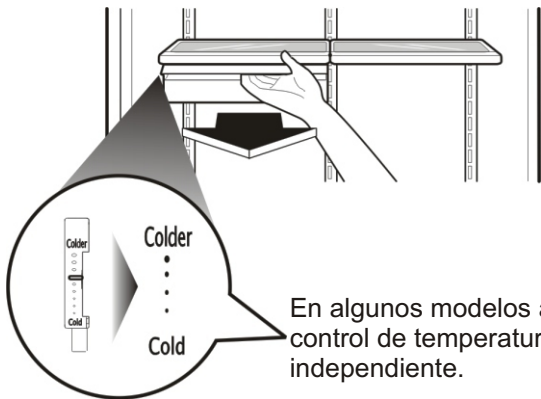
Ud. puede guardar artículos altos tales como galones o botellas simplemente plegando el estante a la mitad.



USO DEL REFRIGERADOR

CHAROLA DE CARNES FRÍAS (CHEF FRESH)

Jale hacia usted la charola de carnes frías mientras la sostiene con una mano. Levántela un poco y jale.



En algunos modelos aplica un control de temperatura independiente.

NOTA: No guarde lechuga ni otros productos bromosos en este cajón.

FRÍO

- Coliflor
- Pepinos
- Calabacines
- Manzanas
- Maíz
- Naranjas
- Uvas

MÁS FRÍO

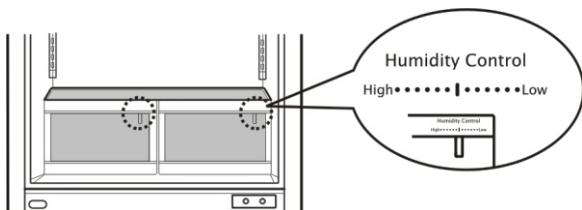
- Filetes
- Quesos
- Fiambres
- Tocino
- Hot dogs

⚠ ADVERTENCIA: Frutas y vegetales pueden dañarse con el ajuste más frío.

CONTROL DE HUMEDAD DE LOS CAJONES

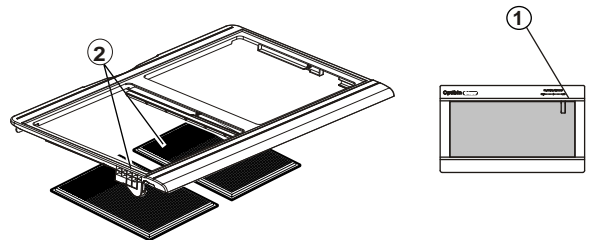
Ud. puede controlar la cantidad de humedad en los cajones, ajustando el control en cualquier posición entre "High" y "Low".

- "High": Permite que el aire salga del cajón de vegetales para la mejor conservación de frutas.
- "Low": Mantiene la mayor cantidad de aire en el cajón para la mejor conservación de vegetales.



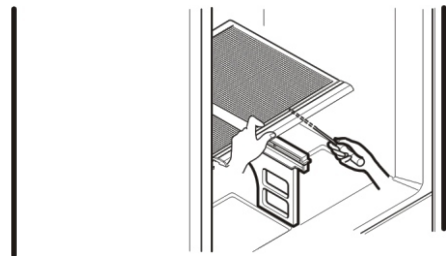
CAJONES OPTIBIN (en algunos modelos)

Los cajones OptiBin hacen más frescos los vegetales y frutas, permitiéndole controlar fácilmente la humedad dentro de los cajones. Los cajones OptiBin incluyen 1) un control de humedad al frente del cajón y 2) un sistema que permite conservar o liberar la humedad.



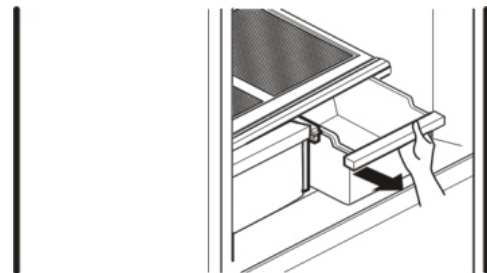
Para quitar el vidrio:

1. Utilizando un destornillador de cabeza plana, levante el vidrio desde la cubierta de los cajones de vegetales.
2. Jale hacia arriba y después hacia afuera.



Para quitar el cajón de vegetales:

1. Deslice el cajón hacia afuera hasta que tope.
2. Levante la parte frontal del cajón, jale para sacarlo.
3. Vuelva a colocar el cajón, deslizándolo hacia adentro hasta pasar los topes.

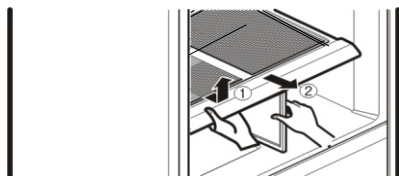


USO DEL REFRIGERADOR

CUBIERTA DE LOS CAJONES CON REJILLA INTERIOR (en algunos modelos)

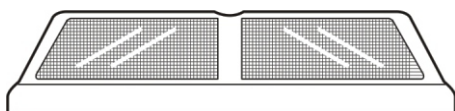
Para quitar la cubierta de los cajones de vegetales:

1. Quite ambos cajones.
2. Jale la cubierta mientras sostiene el soporte (2). Jale hacia arriba y después hacia fuera (1)

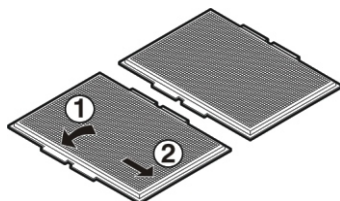


⚠ PRECAUCION: Tenga cuidado cuando maneje la cubierta de vidrio, ya que esta se puede soltar.

Para quitar la rejilla interior:

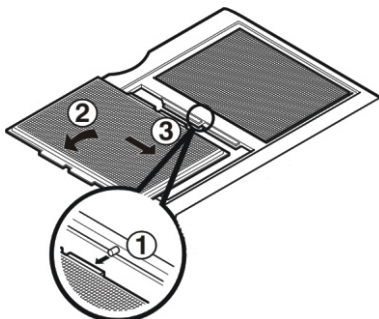


1. Quite la cubierta como se ilustra arriba.
2. Sostenga el vidrio y gire la cubierta de los cajones.
3. Sostenga la rejilla y jale los lados de la cubierta de los cajones hacia fuera para quitarlas.



Para volver a colocar las rejillas interiores:

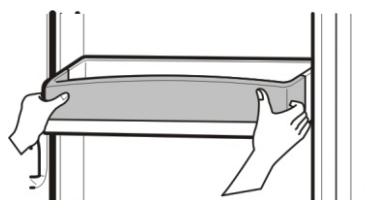
1. Para cada rejilla, inserte la ceja central 1 (cerca de la cubierta de vidrio) y jale los lados de la cubierta para insertarla.



COMPARTIMIENTO EN PUERTA

Las canastas se pueden quitar para una mejor limpieza y ajuste.

1. Para quitar el compartimiento, levántelo y jale hacia afuera.
2. Para sustituir el compartimiento, deslícelo sobre la guía deseada y empujelo hacia abajo hasta que tope.



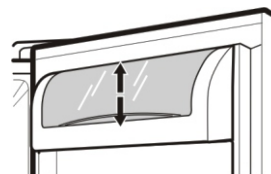
⚠ ADVERTENCIA: Alguien puede resultar herido si los recipientes no están firmemente ensamblados.

NOTA: No ajuste el recipiente si esta cargado de alimentos.

⚠ PRECAUCIÓN: NO permita que los niños jueguen con las canastas. Las esquinas filosas podrían lesionarlos.

COMPARTIMIENTO PARA LÁCTEOS

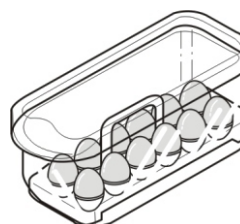
1. Para quitar el recipiente para lácteos, levántelo y jale hacia afuera.
2. Para volver a colocar el recipiente para lácteos, deslícelo sobre la ubicación deseada y empujelo hacia abajo hasta que tope.



COMPARTIMIENTO PARA HUEVOS (en algunos modelos)

Guarde la caja para huevos en una parrilla interior, no en un compartimiento de la puerta.

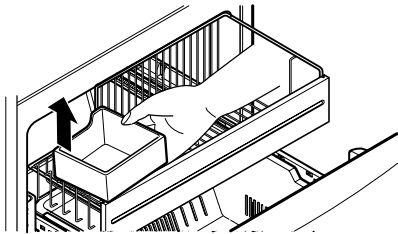
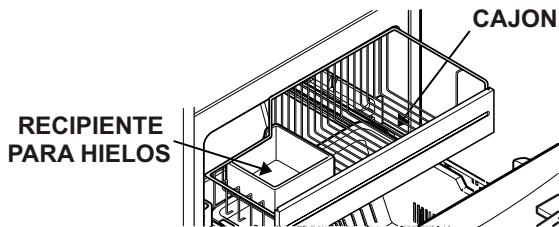
⚠ PRECAUCIÓN: No use la caja para huevos como un recipiente para guardar hielo en el compartimiento del congelador. Si se congela, la caja para huevos puede romperse fácilmente.



SECCION DEL CONGELADOR

RECIPIENTE PARA HIELOS (en algunos modelos)

1. Para quitar el recipiente para hielos, jálelo hacia afuera. Tanto como sea posible.
2. Levante y extraiga con cuidado el recipiente para hielo.
3. Extraiga el cajón tanto como sea posible y coloque el recipiente de hielo en la posición correcta.

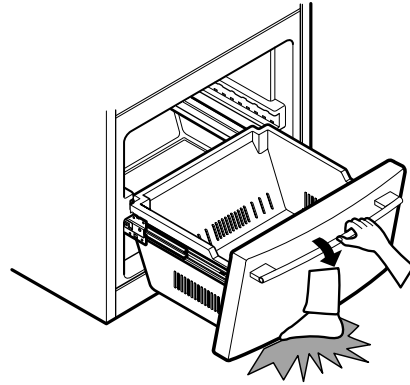


PUERTA INCLINABLE (algunos modelos)

La puerta inclinable provee un fácil acceso a los alimentos congelados.

Cómo usar:

Incline la puerta hacia abajo y jale hacia afuera.



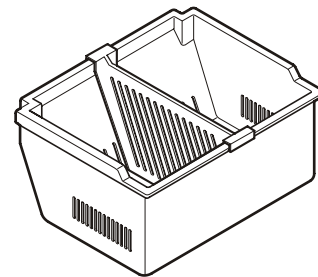
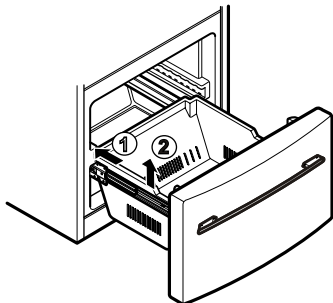
- ▲ PRECAUCIÓN:** Tenga cuidado de abrir la puerta, se puede lastimar un pie.

SEPARADOR DURABASE (en algunos modelos)

El separador de la Durabase permite organizar el área de la Durabase en dos secciones.

DURABASE (en algunos modelos)

1. Para quitar la Durabase (base durable), empuje hacia atrás lo más que pueda. Levante la parte de enfrente de la Durabase y jale hacia afuera.
2. Para volver a colocar, inserte la Durabase en el ensamble del riel

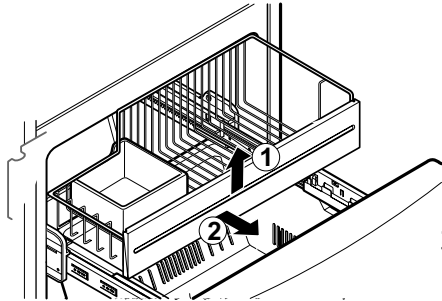


1. Para quitar la Durabase, empuje hacia atrás tanto como le sea posible. Levante la parte superior y retire.
2. Para volver a poner, coloque la Durabase en el ensamble del riel.

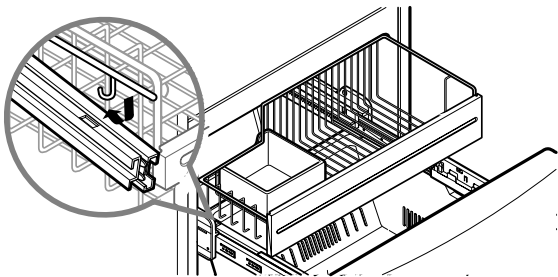
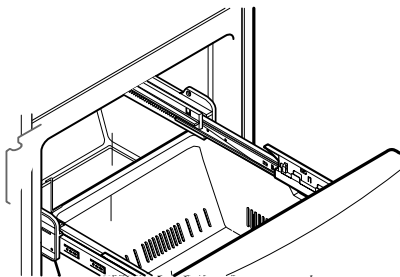
USO DEL REFRIGERADOR

CAJÓN DE ALAMBRE DESLIZABLE

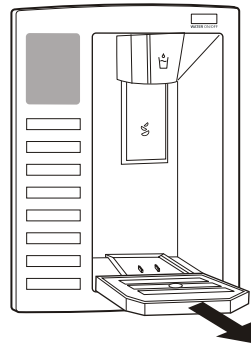
1. Para quitar la canasta, levántela jale hacia afuera



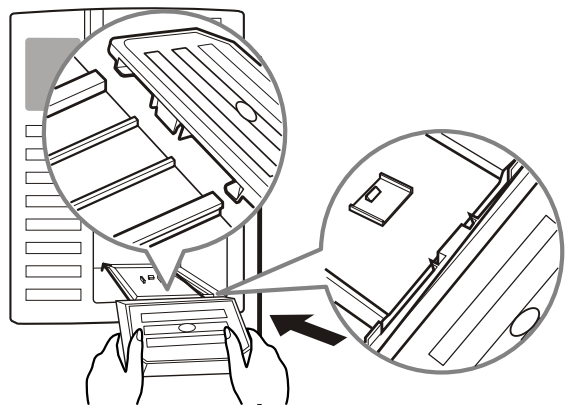
2. Para ensamblar, jale los rieles a su máxima extensión. Enganche los soportes de la canasta en las pestañas de los rieles y empújela hacia el fondo.



Bandeja del dispensador de agua

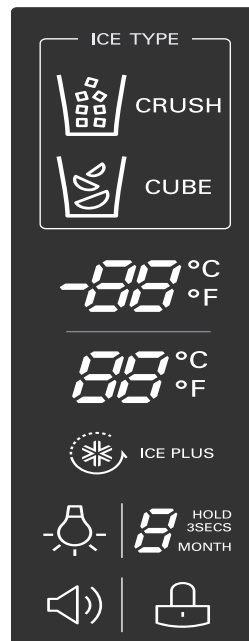


La bandeja del dispensador no tiene de función auto drenado. Debe limpiarse de manera regular. Retire la tapa presionando y tirando de la bandeja. Séquela con un paño. Para reinstalar la bandeja, incline un poco el frente de la bandeja e introduzca los bordes dentro de los orificios.



FILTRO PARA AGUA

El control de temperatura muestra (en meses), el tiempo restante para cambiar el filtro; desde el primer encendido del refrigerador ó 6 meses después de usar el dispensador de agua.

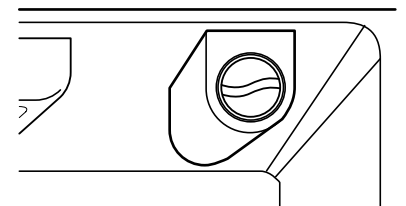
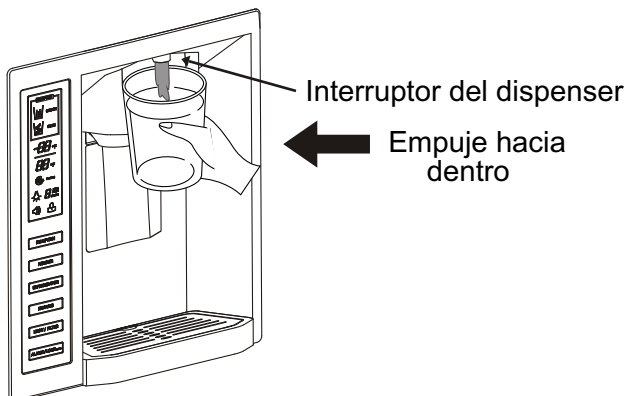


Si ha cambiado el filtro después de 6 meses de uso o desea reiniciar la pantalla del filtro, presione el botón FILTER (FILTRO) durante más de 3 segundos hasta que escuche un sonido, esto indica que se reinició la pantalla.

NOTA: La vida promedio del filtro es de 6 meses.

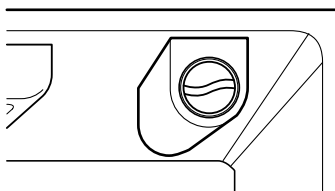
DISPENSADOR DE AGUA

Empuje hacia dentro el interruptor del dispensador con un vaso hasta que escuche que se acciono el dispensador.



USO DEL REFRIGERADOR

Es recomendable que reemplace el filtro cuando el indicador se encienda o el servidor de agua o fábrica de hielos cambien notablemente.



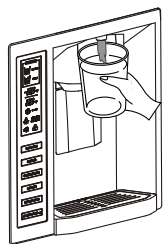
Después de cambiar el cartucho del filtro, presione durante 3 segundos el botón **BUTTON** para reestablecer el indicador del filtro.

Como cambiar el cartucho viejo.

1. Cierre la llave de alimentación de agua (válvula de casa).

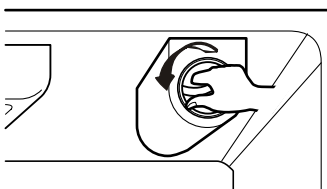


2. Dispense agua hasta vaciar por completo el sistema (aproximadamente durante 50 segundos).



3. Retire el cartucho viejo.

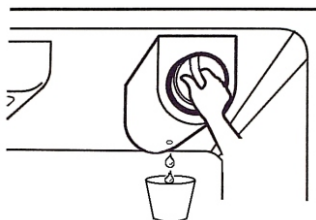
Gire la perilla del cartucho hacia la izquierda.



Cuando el cartucho ha sido removido, Ud. sentirá un "click", lo que indica que ya está fuera de lugar.



Jale hacia afuera el cartucho.

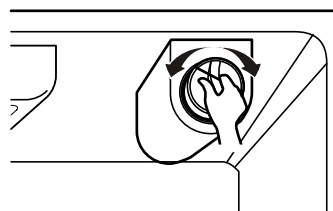


NOTA: Puede haber agua en el cartucho, por lo que esta se puede escurrir a través de algún agujero. Puede usar un vaso o algo similar, para prevenir que el agua se derrame en todo el refrigerador.

4. Coloque el nuevo cartucho.

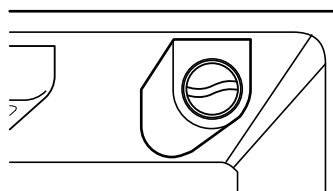
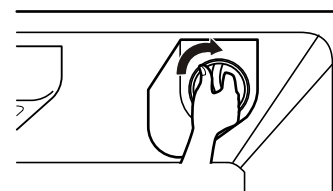
Saque el nuevo cartucho de su empaque y retire la cubierta protectora de los anillos.

Con la perilla del cartucho en posición vertical, presione el nuevo cartucho hasta el fondo.

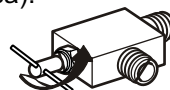


Si no puede girar el filtro de lado a lado, significa que no se encuentra colocado correctamente. Empuje firmemente y gírelo hasta que escuche un "click".

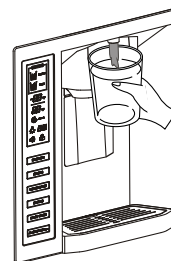
Gire el cartucho hacia la derecha 1/4 de vuelta. Ud. escuchará un "click", lo que significa que el filtro está en posición.



5. Gire para abrir la llave de alimentación de agua (válvula de casa).*



6. Drene el sistema de agua después de reemplazar el filtro. Dispense agua a través del dispensador por 3 minutos o 2 litros de agua para remover el aire atrapado en el sistema. Esto es necesario para evitar posibles fugas o problemas cuando dispense agua.



NOTE: Para comprar un nuevo cartucho de filtro de agua, visite a su distribuidor local. También puede visitar nuestra página: www.lgappliances.com.

USO DEL REFRIGERADOR

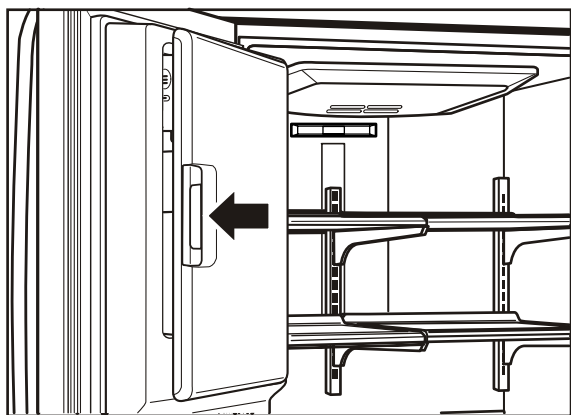
FABRICA DE HIELOS

⚠ PRECAUCION

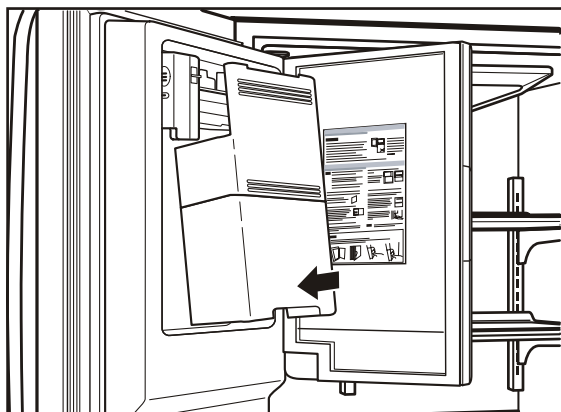
Mantenga manos y herramientas fuera de la puerta de la fábrica de hielos y de la tolva del dispensador. Podría romper algo o lesionarse.

La fábrica de hielo deja de producir hielo cuando se llena la caja para hielos, si necesita hielo extra, vacíe la caja en el recipiente para hielo extra del congelador para que la fábrica de hielo pueda seguirlo produciendo.

Sacuda la caja para hielos de vez en cuando para nivelar el hielo. A veces el hielo se apila provocando que la fábrica de hielo interprete que hay suficiente hielo, por lo tanto detiene la producción de éste.



Presione la jaladera con firmeza (como muestra la figura) para cerrar la puerta de la heladera. Hará un “clic” cuando se cierre por completo.

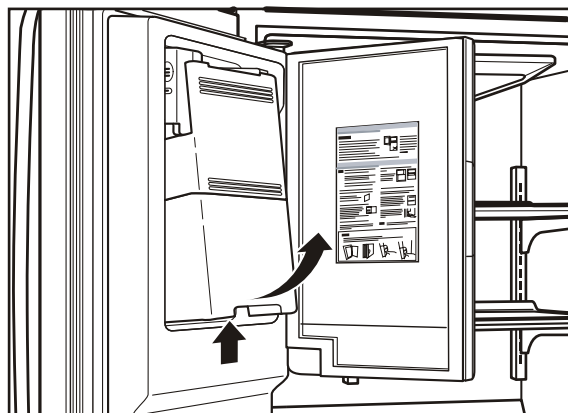


Para reinstalar la caja para hielos de la puerta, incline un poco el recipiente para evitar contacto con la fábrica de hielos.

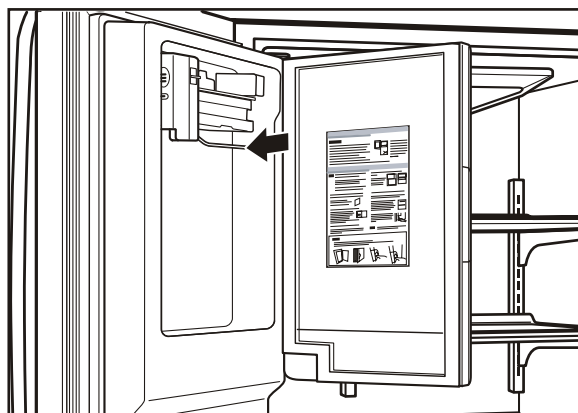
NOTA: Guardar latas u otros elementos en la caja para hielos puede dañar la fábrica de hielos.

Mantenga la puerta de la fábrica de hielo bien cerrada. Si ésta no se cierra bien, el aire frío del mismo congelará los alimentos del refrigerador. También podría provocar que la fábrica de hielo deje de producirlo.

NOTA: Si el interruptor On/Off de la fábrica de hielos permanece en Off (apagado) durante un período prolongado de tiempo, el compartimiento para hielo se calentará gradualmente hasta alcanzar la temperatura del refrigerador, para evitar que se derritan los cubos de hielo y se derramen, vacíe la cubitera cuando la fábrica de hielos este en Off (apagado) durante algunas horas.



Para sacar la caja para hielos de la puerta, tome la manija que esta al frente, levante un poco la parte inferior, y lentamente saque el recipiente como se muestra en la figura.



Evite tocar la jaladera de apagado automático cuando reemplace la caja para hielos. Para más detalles, vea la etiqueta de la puerta de la fábrica de hielos.

CUIDADO DE SU REFRIGERADOR

⚠ ADVERTENCIA



Peligro de Explosión

Utilice limpiadores no inflamables.
No seguir esta instrucción puede ocasionar la muerte, explosión o incendio.

Tanto el refrigerador como el congelador realizan deshielo automático. A pesar de esto, limpie ambas secciones una vez al mes para prevenir la formación de olores. Limpie los derrames de líquidos inmediatamente.

PARA LIMPIAR SU REFRIGERADOR

- Desconecte su refrigerador
- Quite todas las partes desmontables del interior, tales como los estantes, compartimentos para verduras, etc.
- Use una esponja limpia o un trapo suave con un poco de detergente con agua tibia. No use limpiadores abrasivos o detergentes concentrados.
- Lave a mano, enjuague y seque las superficies.
- Enchufe el refrigerador o vuelva a conectar el suministro eléctrico.

EXTERIOR

Encere las superficies pintadas de metal exteriores para brindarles mayor protección. No encere las partes plásticas. Encere las partes pintadas de metal con cera para electrodomésticos (o cera suave para automóviles). Aplique la cera con una franela limpia y suave. Para productos con exterior de acero inoxidable, utilice una esponja o una franela limpia con detergente suave con agua tibia. No utilice abrasivos o detergentes concentrados. Seque la superficie con una franela suave.

INTERIORES (permítale al congelador calentarse un poco para que el trapo no se pegue)

Para eliminar olores, limpie el interior del refrigerador con una mezcla de polvo para hornear (soda) y agua tibia. Mezcle 2 cucharaditas de polvo para hornear en $\frac{1}{4}$ de agua (26 g de soda por cada litro de agua). Asegúrese de que el polvo para hornear (soda) se disuelva completamente para que no raye las superficies del refrigerador.

PUERTAS Y SELLOS

Para las partes plásticas, no utilice ceras limpiadoras, detergentes concentrados, blanqueadores o limpiadores que contengan petróleo.

PARTES PLÁSTICAS (cubiertas y paneles)

No utilice toallas de papel, aspersores para vidrio, limpiadores abrasivos, o fluidos inflamables. Estos pueden rayar o dañar el material

SERPENTIN DEL CONDENSADOR

Quite la vista inferior. (Vea la sección de la vista inferior)

Utilice una aspiradora con una extensión para limpiar los serpentines.

Aspire los serpentines cuando se encuentren con polvo o sucios. Estos deben ser limpiados más o menos cada mes

Vuelva a colocar la vista inferior.

CÓMO CAMBIAR LAS BOMBILLAS (Focos)

⚠ ADVERTENCIA

Peligro de choque eléctrico

Antes de cambiar las bombillas (focos ó lamparas), desconecte o apague el circuito eléctrico del refrigerador.

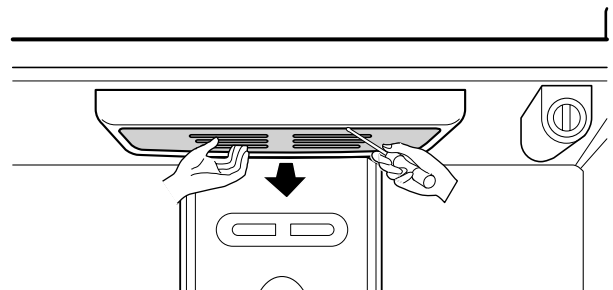
NOTA: Ajustando el Control a la posición de OFF (apagado) no quitará la circulación de energía a través de las bombillas (focos ó lamparas).

NOTA: No todas las bombillas (focos ó lamparas) para electrodomésticos se ajustarán a su refrigerador.

Asegúrese que las bombillas (focos ó lamparas) sean del mismo tamaño, forma y potencia (W).

Para cambiar las bombillas (focos) del refrigerador:

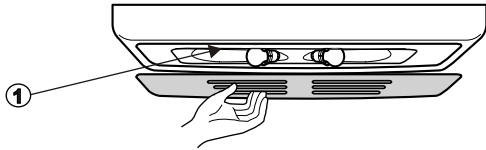
1. Desenchufe su refrigerador.
2. Quite los estantes del refrigerador.
3. Presione el gancho frontal de la cubierta de la lámpara con ayuda de un desarmador plano y jálala hacia abajo para quitarla.
4. Gire la bombilla (foco) en contra de las manecillas del reloj y retirela.
5. Para ensamblar, primero inserte los ganchos de la parte de atrás y después empuja la lámpara hacia arriba.



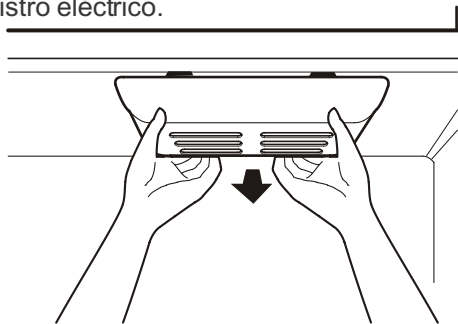
CUIDADO DE SU REFRIGERADOR

Para cambiar la bombilla (foco) del Congelador

1. Desenchufe el refrigerador o desconecte el suministro eléctrico.
2. Quite la cubierta de la bombilla (foco).
3. Cambie el foco por uno con los watts indicados en la sección del refrigerador, como muestra el dibujo ①.



4. Enchufe el refrigerador o vuelva a conectar el suministro eléctrico.



INTERRUPCIONES DE ENERGÍA

Si se desconecta la energía de su hogar, llame a su compañía de energía y pregunte cuánto tiempo durará sin suministro eléctrico.

1. Si no habrá energía en las próximas 24 h o menos, mantenga las puertas del refrigerador cerradas, para que los alimentos se mantengan fríos y congelados.
2. Si no habrá energía por más de 24 h, use alguna de las siguientes opciones:
 - a) Saque todos los alimentos congelados y guárdelos en una hielera.
 - b) Coloque en el congelador 2 lbs (907 g) de hielo seco por cada pie cúbico (28 L) del espacio del congelador. Esto ayudará a que los alimentos congelados duren así de 2 a 4 días. Utilice guantes para manejar el hielo seco, ya que puede sufrir quemaduras.
 - c) Si no cuenta con hielo seco o hielera, consuma lo antes posible los alimentos perecederos.

RECUERDE: Un congelador lleno se mantiene más tiempo frío que uno parcialmente lleno. Un congelador lleno de carne se mantiene más tiempo frío que uno que contenga pastelillos u otros alimentos horneados. Si usted observa que los alimentos tienen cristales de hielo, éstos pueden volver a congelarse sin problema, aunque la calidad y sabor puede variar. Si los alimentos no se encuentran en buenas condiciones, o Ud. cree que no es saludable ingerirlos, deséchelos.

VACACIONES

Si Ud. decide dejar el refrigerador funcionando mientras está ausente, siga estos pasos para preparar su refrigerador antes de irse.

1. Consuma todos los artículos perecederos y congele el resto.
2. Vacíe el recipiente para hielos.

Si Ud. decide apagar el refrigerador antes de irse, siga estos pasos:

1. Saque toda la comida del refrigerador.
2. Dependiendo de su modelo, cambie el Control del Termostato (Control del Refrigerador) a OFF (apagado). Vea **Ajuste de los Controles**.
3. Limpie el refrigerador, enjuáguelo y séquelo bien.
4. Fije bloques de goma o de madera con cinta adhesiva a ambas puertas para que queden abiertas y el aire circule. Esto evita que se formen olores y que crezcan hongos.

SI SE MUDA

Si Ud. muda su refrigerador a una casa nueva, siga los siguientes pasos para prepararse para la mudanza:

1. Saque toda la comida del refrigerador y empaque toda la comida congelada con hielo seco.
2. Dependiendo de su modelo, apague el Control del Termostato (Control del Refrigerador). Vea la sección de **Ajuste de los Controles**.
3. Desenchufe el refrigerador.
4. Vacíe el agua de la bandeja colectora.
5. Limpie, pásele un trapo y seque.
6. Saque todas las partes desmontables, envuélvalas bien y asegúrese con cinta adhesiva para que no se sacudan durante la mudanza.
7. Según el modelo, levante la parte delantera del refrigerador para que ruede con facilidad o atornille las patas niveladoras para no rayar el piso. Consulte la sección "Cierre de las puertas" o "Cómo nivelar el refrigerador".
8. Sostenga las puertas cerradas y el cable pegado al gabinete del refrigerador con cinta adhesiva.

Cuando llegue a la casa nueva, ponga todo de nuevo y lea la sección "Instrucciones de instalación" para obtener instrucciones de preparación. Además, si su refrigerador tiene fábrica de hielo automática, recuerde volver a conectar el suministro de agua al refrigerador.

ACERCA DE LA FÁBRICA DE HIELO AUTOMÁTICA

NOTA: La Fábrica de hielos Automática la incluyen solo algunos modelos. Revise la especificación del suyo.

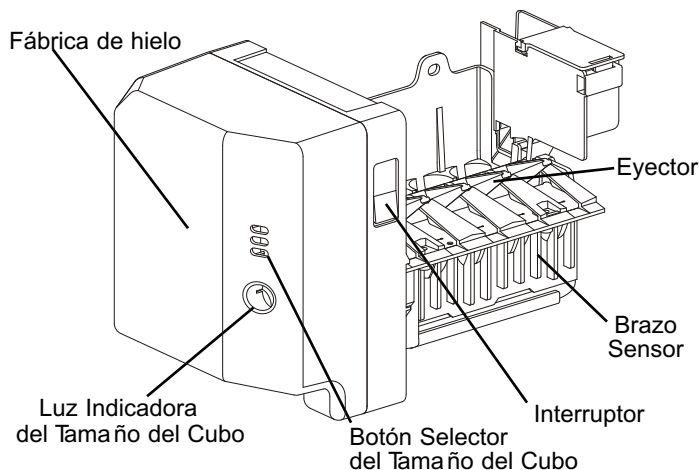
⚠ ADVERTENCIA

Peligro de daños personales

Evite el contacto con las partes móviles del mecanismo expulsor, o con el calentador que libera los cubos. **NO** introduzca los dedos en la fábrica de hielo automática cuando el refrigerador se encuentra conectado.

INSTRUCCIONES DE OPERACIÓN

Después de instalar su refrigerador, se empezará a fabricar hielo después de 12 o 24 h



La fábrica de hielos produce 5 cubos por ciclo – entre 60 y 80 cubos en un periodo de 24 h, dependiendo de la temperatura del compartimento del congelador, número de veces en las que se abre la puerta y otras condiciones de uso.

Si el refrigerador es operado antes de que haya hecho la conexión de agua de la fábrica de hielos, Ud. debe accionar el interruptor a la posición de **O (apagado)**.

Cuando ya se hayan realizado las conexiones de agua, accione el interruptor a la posición **I (encendido)**.

La fábrica de hielos se llenará de agua entre 12 y 24 h después de haber sido instalado adecuadamente su refrigerador y empezará a hacer hielos.

Tire los primeros hielos que salgan de la fábrica de hielos para así limpiar la tubería de agua.

Asegúrese de que nada interfiere con el sensor.

Cuando el recipiente se llena al nivel del sensor, la fábrica de hielo dejará de producir cubos.

Es normal que algunos cubos queden pegados.

Si el hielo no se usa frecuentemente, los hielos viejos estarán opacos, con sabor extraño y más pequeños.

NOTA: Si el tamaño del hielo es más pequeño o más grande de lo que usted esperaba, puede regular el tamaño del cubo presionando el botón selector. La presión del agua afecta considerablemente estos resultados.

Cada vez que presione el botón selector, un indicador de luz se encenderá. A mayor cantidad de luces encendidas, más grandes serán los hielos.

UD. DEBE ACCIONAR EL INTERRUPTOR A LA POSICIÓN O (OFF, APAGADO)

- Cuando el suministro de agua sea interrumpido por varias horas.
- Cuando el recipiente de hielos se encuentre fuera de su lugar por más de 1 o 2 min.
- Cuando el refrigerador no vaya a ser usado por varios días.

SONIDOS NORMALES

La válvula emitirá un zumbido cuando llene de agua la fábrica de hielos. Si el interruptor se encuentra en la posición de encendido, el zumbido seguirá escuchándose aún y cuando no se haya conectado la tubería de agua. Para evitar este sonido, accione el interruptor a la posición **O (apagado)**.

NOTA: La fábrica de hielos se puede dañar si se mantiene accionado el interruptor en la posición **I (encendido)** antes de haber conectado a la tubería de agua.

Mientras la fábrica de hielos se llena de agua y expulsa los hielos Ud. escuchará ruidos de hielos caer y agua fluir por las tuberías.

PREPARÁNDOSE PARA LAS VACACIONES

Accione el interruptor de la fábrica de hielos a la posición **O (apagado)** y corte el suministro de agua al refrigerador.

Si la temperatura ambiente se encuentra en el punto de congelación del agua, haga que un técnico especializado drene el suministro de agua y las tuberías interiores del refrigerador (en algunos modelos) para evitar daños debido a conexiones o tuberías rotas.

CÓMO CONECTAR LA TUBERÍA DE AGUA

ANTES DE COMENZAR

La instalación de la tubería de agua no está garantizada por el fabricante del refrigerador o de la fábrica de hielos. Siga las instrucciones cuidadosamente para minimizar el riesgo de daños al producto.

El aire en la tubería de agua puede provocar martilleos en las conexiones, lo que puede causar daños a las tuberías internas del refrigerador o derramamiento de agua al interior del refrigerador. Llame a un plomero calificado para corregir los martilleos en las conexiones antes de instalar la tubería de agua.

Para evitar quemaduras y daños al producto, no conecte su refrigerador a las tuberías de agua caliente.

Si usa su refrigerador antes de conectar el suministro de agua, asegúrese de que la fábrica de hielo se encuentra en la posición **O** (apagado).

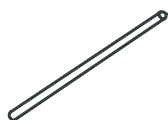
No instale las tuberías de la fábrica de hielos en áreas en las cuales la temperatura ambiente se encuentre bajo el punto de congelación del agua.

Cuando utilice cualquier dispositivo eléctrico (como un taladro) durante la instalación, asegúrese de que el dispositivo esté doblemente aislado o conectado a tierra para prevenir el riesgo de choque eléctrico.

Toda instalación deberá hacerse de acuerdo con los requerimientos locales de agua y drenaje.

REQUERIMIENTOS

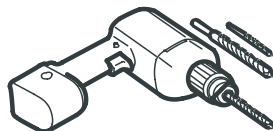
- **Tubería de Cobre** de 1/4" (6,35 mm) de diámetro para conectar el refrigerador a la tubería de agua. Asegúrese que ambas terminales se corten cuadradas.



Para determinar cuánta tubería puede necesitar, mida la distancia desde la válvula que se encuentra en la parte de atrás del refrigerador, hasta el suministro de agua. Después sume 8 pies (2,4 m). Asegúrese de que exista suficiente tubería extra para permitir el libre movimiento del refrigerador desde la pared.

- **Un suministro de agua fría.** La presión del agua debe estar entre 20 y 120 p.s.i. (1,4 y 8,2 bar) en los modelos que no cuenten con filtro de agua y entre 40 y 120 p.s.i. (2,8 y 8,2 bar) en los modelos que cuenten con filtro de agua.

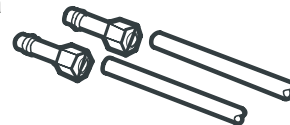
- **Taladro.**



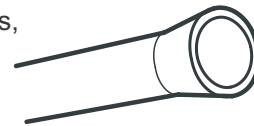
- **Llave ajustable** de 1/2" (12,7 mm)

- **Destornillador plano y tipo Phillips (estrella).**

- **Dos tuercas de compresión** de 1/4" (6,35 mm) de diámetro con 2 mangas para conectar la tubería de cobre a la válvula del refrigerador.

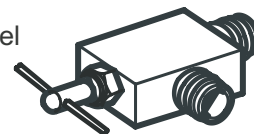


Si su tubería de cobre actual cuenta con alguna reducción en los extremos, necesitará un adaptador (disponible en las ferreterías) para conectar la línea de agua al refrigerador. También puede cortar la reducción con un cortador de tubo y después utilizar las conexiones de compresión arriba mencionadas.



- **Cierre la válvula para conectar a la línea de agua fría.** La válvula debe tener una entrada de agua con un diámetro mínimo interior de 5/32" en el (3,96 mm) en el punto de conexión del AGUA FRÍA.

Estas válvulas se pueden encontrar en cualquier paquete de conexión de agua. Antes de comprar, asegúrese de que la válvula cumpla con los reglamentos locales.



INSTRUCCIONES DE INSTALACIÓN

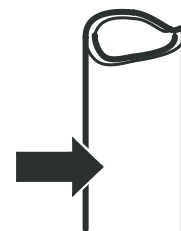
Instale la válvula en la tubería donde Ud. frecuente ingerir agua.

1. CIERRE EL SUMINISTRO PRINCIPAL DE AGUA

Abra la llave más cercana para dejar fluir el agua y vaciar las tuberías.

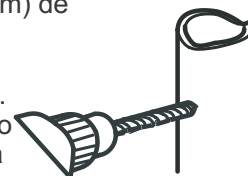
2. SELECCIONE LA LOCALIZACIÓN DE LA VÁLVULA

Seleccione la localización para la válvula que mejor se le facilite el acceso. Es mejor conectar en una tubería vertical. Cuando sea necesario conectar en una tubería horizontal, haga la conexión en la parte superior o lateral, en vez de hacerlo en la parte inferior, para prevenir la acumulación de sedimentos



3. TALADRE UN ORIFICIO PARA LA VÁLVULA

Taladre un orificio de 1/4" (6,35 mm) de diámetro en la tubería de agua. Elimine la rebaba que quede después de hacer la perforación. Tenga cuidado de que el agua no llegue al taladro. Si no realiza la perforación de 1/4" (6,35 mm) puede resultar en una producción pobre de hielo o cubos más pequeños.

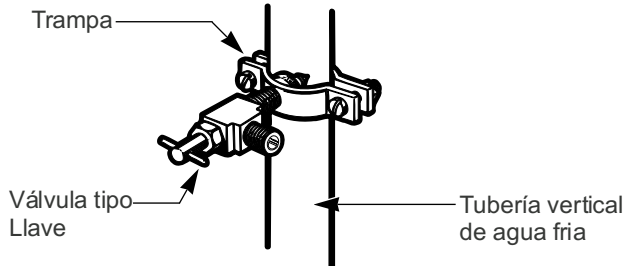


CÓMO CONECTAR LA TUBERÍA DE AGUA

INSTRUCCIONES DE INSTALACIÓN (CONTINUACIÓN)

4. APRIETE LA VÁLVULA

Apriete la válvula a la tubería de agua fría con una trampa para tubos.

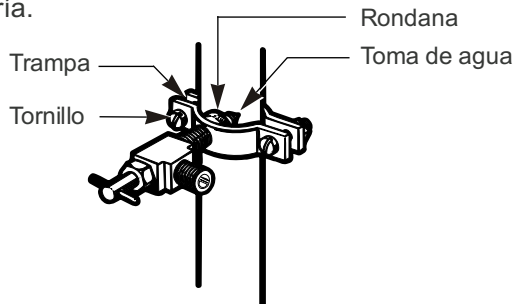


NOTA: Los códigos de tubería 248CMR del estado de Massachusetts deben estar adheridos a la conexión. Las válvulas de este tipo están prohibidas en Massachusetts. Consulte con su plomero autorizado.

5. APRIETE LA TRAMPA

Apriete la trampa hasta que la rondana selladora empiece a agrandarse.

NOTA: No apriete de más, ya que podría romper la tubería.



6. ACOMODE LA TUBERÍA

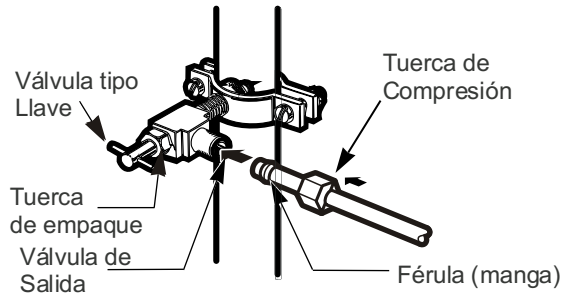
Acomode la tubería entre la línea de agua fría y el refrigerador.

Acomode la tubería a través de una perforación hecha en la pared o piso (detrás del refrigerador o a un lado del gabinete) tan cerca de la pared como sea posible.

NOTA: Asegúrese de que exista suficiente tubería extra (unos 8 pies [244 mm] enrollados en 3 vueltas de 10" [25 cm] de diámetro) para permitir al refrigerador moverse fuera de la pared después de la instalación.

7. CONECTE LA TUBERÍA A LA VÁLVULA

Ponga la tuerca de compresión y la férula para la tubería de cobre al final de la tubería y conéctela a la válvula. Asegúrese de que la tubería está completamente insertada en la válvula. Apriete la tuerca con precaución.



NOTA: Los códigos de tubería 248CMR del estado de Massachusetts deben estar adheridos a la conexión. Las válvulas de este tipo están prohibidas en Massachusetts. Consulte con su plomero autorizado.

8. DRENE LA TUBERÍA

Gire el suministro principal de agua hacia la derecha y drene la tubería hasta que el agua esté clara.

Cierre la llave, así como la válvula hasta que 1 cuarto (1 litro) de agua haya sido drenada a través de la tubería.

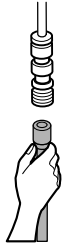


9. CONECTE LA TUBERÍA AL REFRIGERADOR

NOTAS:

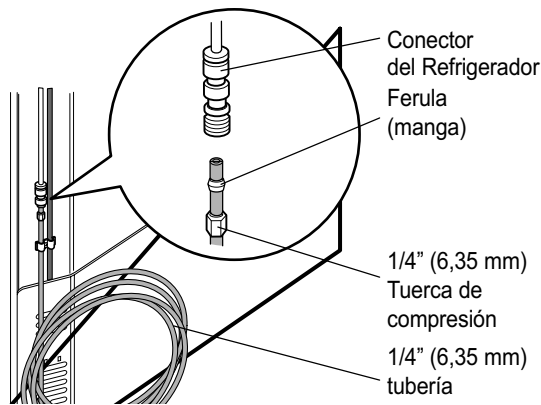
- Antes de hacer la conexión al refrigerador, asegúrese de que éste no esté conectado al suministro de energía.
- Si su refrigerador no cuenta con filtro de agua, le recomendamos que instale uno. Si su suministro de agua contiene arena o partículas que puedan ser llevadas a través de la válvula, instale un filtro de agua en la tubería cerca del refrigerador.

Quite la tapa de plástico de la válvula (del refrigerador).



Coloque la tuerca de compresión y la férula al final de la tubería.

Inserte la tubería en la válvula de conexión tan adentro como le sea posible. Apriete mientras sostiene la tubería.



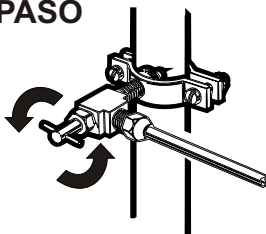
Apriete el tubo en los sujetadores que se encuentran detrás del refrigerador.

Primero afloje el tornillo que sostiene el sujetador. Después, inserte el tubo en el orificio. Finalmente, vuelva a apretar el tornillo.

10. ABRA LA VÁLVULA DE PASO

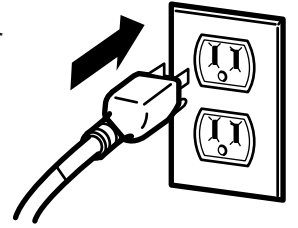
Apriete todas las conexiones que tengan fugas.

Vuelva a poner la cubierta de acceso al compresor.



11. CONECTE EL REFRIGERADOR

Arregle la tubería de agua de tal manera que ésta no pueda vibrar con el refrigerador o la pared. Empuje el refrigerador hacia la pared.



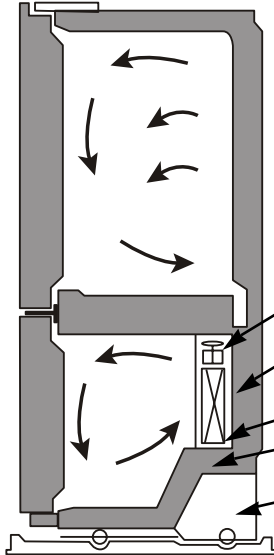
12. ENCIENDA LA FÁBRICA DE HIELO

Accione el interruptor de la fábrica de hielo a la posición **ON** (encendido). La fábrica de hielo no empezará a operar hasta que alcance su temperatura de operación de 15 °F (-9 °C) o menor. Comenzará su operación automática si el interruptor se encuentra en la posición **I** (Encendido).

GUÍA DE SOLUCIÓN DE PROBLEMAS

SONIDOS NORMALES

Su nuevo refrigerador puede hacer ruidos que su viejo refrigerador no hacía. Como estos sonidos son nuevos para Ud., puede ser que se preocupe. La mayoría de los sonidos nuevos son normales. Superficies duras, como el piso, las paredes y los gabinetes, pueden hacer que los sonidos parezcan más fuertes de lo que son en realidad. A continuación se describen los tipos de sonidos y qué puede causarlos.



- El cronómetro del ciclo de deshielo sonará cuando el ciclo automático de deshielo comience y termine. Además, el Control del Termostato (o Control del Refrigerador, dependiendo del modelo), emitirá un sonido cuando comience y termine el ciclo de refrigeración.
- Se puede escuchar un cascabeleo, el cual es debido al flujo del refrigerante, la tubería de agua, u objetos colocados en la parte superior del refrigerador.
- Su refrigerador está diseñado para funcionar con más eficiencia para conservar sus alimentos a la temperatura deseada y para minimizar el uso de energía. El compresor de alta eficiencia y los ventiladores pueden causar que su nuevo refrigerador funcione por periodos de tiempo más largos que su refrigerador viejo y Ud. puede escuchar un sonido pulsante o agudo que proviene del compresor o de los ventiladores que se ajusten para un rendimiento óptimo.
- La contracción y expansión de las paredes internas pueden causar un ligero sonido de bombeo.
- Puede que Ud. escuche el motor del ventilador del evaporador circulando el aire a través de los compartimentos del refrigerador y del congelador. Es posible que aumente la velocidad del ventilador cuando usted abra la puerta o agregue alimentos calientes.
- El agua que gotea durante un ciclo de deshielo, puede causar ruido de chisporroteo.
- Al final de cada ciclo, Ud. puede escuchar un gorgoteo debido al flujo de líquido refrigerante en su refrigerador.
- Ud. puede escuchar aire forzado sobre el condensador causado por el ventilador del condensador.
- Ud. puede escuchar agua corriendo hacia la bandeja colectora durante el ciclo de descongelación.

EL REFRIGERADOR NO ENCIENDE

Verifique si...

Entonces...

Está conectado el enchufe.	Conecte firmemente el enchufe en un tomacorriente con el voltaje adecuado
Se ha fundido un fusible o el circuito de electricidad tiene fallas.	Reemplace el fusible o haga revisar el circuito eléctrico.
El control del refrigerador se encuentra en la posición OFF.	Vea la sección Ajuste de Controles.
El refrigerador se encuentra en el ciclo de descongelación.	Espere unos 30 min para que el ciclo termine.

SONIDOS EXTRAÑOS O VIBRACIÓN

Verifique si...

Entonces...

El refrigerador no se encuentra firmemente asentado en el piso.	Necesita ajustar los tornillos niveladores debido a que el piso está débil o no uniforme. Vea la sección de Instalación
---	---

LAS LUCES NO ENCIENDEN

Verifique si...

Entonces...

El refrigerador está enchufado	Conecte firmemente el enchufe en un tomacorriente con el voltaje adecuado
Las bombillas están flojas.	Apague (OFF) el Control del Refrigerador y desconecte el refrigerador. Quite cuidadosamente el foco (bombilla) y vuelva a colocarla. Enchufe el refrigerador.
Se ha fundido un foco (bombilla).	Cambie los focos (bombilla) por una del mismo wats, tamaño y forma. Vea la sección cómo cambiar los focos (bombillas). Apague el control de temperatura (OFF) y desconecte el refrigerador.

GUÍA DE SOLUCIÓN DE PROBLEMAS

EL COMPRESOR PARECE ESTAR ENCENDIDO POR MUCHO TIEMPO

Verifique si...

Entonces...

El refrigerador que fue reemplazado era un modelo antiguo.	Los refrigeradores modernos con mayor capacidad de almacenaje requieren mayor tiempo de operación.
La temperatura ambiente está más caliente de lo normal.	El motor seguirá en operación cuando la temperatura ambiente sea alta. El motor puede estar encendido entre un 40% y 80% del tiempo. En condiciones de temperatura alta, el compresor puede funcionar durante largo tiempo.
La puerta se abre muy seguido o se ha almacenado una gran cantidad de alimentos.	Al agregar comida o abrir la puerta el refrigerador se calienta. Es normal que el refrigerador opere por más tiempo para enfriar los compartimentos. Vea la Guía para Almacenar Alimentos. Para ahorrar energía, tome lo que necesite en una sola ocasión, mantenga la comida ordenada para encontrarla fácilmente, y cierre la puerta del refrigerador tan pronto como saque la comida.
El refrigerador está enchufado y el control ha sido ajustado correctamente	El refrigerador tardará 24 h para enfriarse completamente.
El control del refrigerador no ha sido ajustado correctamente para las condiciones de la habitación	Vea la sección Ajuste de los Controles .
Las puertas no cierran correctamente.	Empuje las puertas firmemente. Si no se cierran completamente, vea a continuación "Las puertas no cierran completamente".
Los serpentines del condensador están sucios.	Esto evita la transferencia de aire y hace que el motor trabaje por más tiempo. Limpie los serpentines del condensador. Vea la sección Cuidados y Limpieza del Refrigerador.

LAS PUERTAS NO CIERRAN COMPLETAMENTE

Verifique si...

Entonces...

El refrigerador no está nivelado.	Vea la sección de Instalación para nivelar el refrigerador.
Los paquetes de comida están obstruyendo las puertas.	Arregle los contenedores de comida para liberar espacio entre las puertas y los estantes.
El recipiente de hielos, la cubierta de vegetales, los paneles, estantes, contenedores de puertas o recipientes están fuera de posición	Empuje los contenedores y ponga la cubierta del cajón de vegetales, paneles, estantes y otros contenedores en sus posiciones correctas.
Los sellos se pegan.	Limpie los sellos y las superficies que tocan. Use un trapo con un poco de parafina y aplíquelo en los sellos.
El refrigerador se tambalea o parece inestable.	Nivele el refrigerador. Vea la sección de Alineación de Puertas.
Se quitaron las puertas durante la instalación y no se instalaron apropiadamente.	Quite y vuelva a colocar las puertas de acuerdo a la sección de instalación de puertas.

HAY CRISTALES DE HIELO EN LA COMIDA

Verifique si...

Entonces...

No se ha cerrado correctamente la puerta.	Vea "Las puertas no cierran completamente" arriba mencionada.
La puerta se abre frecuentemente.	Cuando la puerta se abre, el aire tibio y húmedo entra en el congelador, provocando la humedad y cristales de hielo.

GUÍA DE SOLUCIÓN DE PROBLEMAS

EL HIELO TIENE SABOR Y OLOR EXTRAÑOS

Verifique si...

Entonces...

La fábrica de hielos ha sido instalada recientemente.	No utilice los primeros hielos que se produzcan.
El hielo ha sido almacenado por mucho tiempo.	Deshágase del hielo viejo y haga una nueva provisión.
La comida no se ha empacado bien en cada compartimento	Vuelva a envolver la comida, ya que los olores se pueden transferir al hielo si la comida no está bien empacada.
El suministro de agua contiene minerales tales como el sulfuro.	Tal vez necesite instalar un filtro de agua para eliminar los problemas de olores y sabores.
El interior del refrigerador necesita limpieza.	Vea la sección de Cuidados y Limpieza.
El recipiente de hielos necesita limpieza	Vacíe el recipiente y tire los cubos viejos.

HAY AGUA EN EL RECIPIENTE DE DRENAJE

Verifique si...

Entonces...

El refrigerador se está descongelando.	El agua se evaporará. Es normal que el agua caiga en el recipiente de drenaje.
Está más húmedo que lo normal.	Puede que el agua que se encuentra en el recipiente tarde en evaporarse. Es normal cuando el clima esta caliente y húmedo.

EL REFRIGERADOR HACE MUCHO RUIDO

Verifique si...

Entonces...

Los sonidos son normales en su refrigerador.	Vea la sección Sonidos Normales.
--	----------------------------------

LA FÁBRICA DE HIELO NO PRODUCE HIELO O LOS CUBOS SE ENFRÍAN LENTAMENTE

Verifique si...

Entonces...

La temperatura del congelador está suficientemente fría para producir hielo.	Espere 24 h para producir hielo. Vea Ajuste de los Controles.
La puerta se dejó abierta.	Verifique si hay algo que obstruya el cierre de la puerta.

LOS CUBOS FABRICADOS SON MUY PEQUEÑOS

Verifique si...

Entonces...

Se seleccionó el tamaño más pequeño de cubos.	Seleccione un tamaño mayor para los hielos.
Se ha obstruido la válvula que se conecta al refrigerador o tubería.	Llame a un plomero para limpiar la válvula o tuberías.

LAS PUERTAS SON DIFÍCILES DE ABRIR

Verifique si...

Entonces...

Los sellos están sucios o pegajosos.	Limpie los sellos y las superficies que tocan. Utilice un trapo con parafina y aplíquelo en los sellos.
La puerta se vuelve a abrir tan pronto como usted la cierra.	Cuando usted abre la puerta, el aire a alta temperatura entra en el refrigerador. Cuando este aire se enfría rápidamente ocupa un menor volumen y crea un vacío. Si es difícil abrir, espere 5 min, luego verifique

GUÍA DE SOLUCIÓN DE PROBLEMAS

LA FÁBRICA DE HIELO NO FUNCIONA

Verifique si...

Entonces...

La fábrica de hielo está encendida.	Encienda la fábrica de hielos (posición I)
El suministro de agua se ha cortado o no está conectada.	Vea la sección Cómo Conectar la Tubería de Agua.
La temperatura del congelador está tibia.	Espere 24 h para que el congelador alcance su temperatura ideal.
Los cubos de hielo fabricados apagan la fábrica de hielos.	Nivele los cubos a mano.

LA TEMPERATURA ESTÁ MUY CALIENTE O SE HA FORMADO HUMEDAD EN EL INTERIOR

Verifique si...

Entonces...

Las ventilas de aire están bloqueadas. El aire frío circula desde el congelador hacia el refrigerador y regresa a través de las ventilas que dividen estas secciones.	Localice las ventilas usando su mano para revisar el flujo de aire y mueva los paquetes que bloqueen las ventilas y eviten el flujo de aire. Vea la sección Ice Beam Door Cooling / Door Cooling para mayor referencia.
Las puertas se abren frecuentemente.	Cuando las puertas se abren, el aire tibio y húmedo entra al refrigerador. Mientras más tiempo estén abiertas, mayor aire tibio y húmedo entrará al refrigerador, lo que provoca la formación de humedad. Para mantener el refrigerador frío, tome lo que necesite de una sola vez y mantenga la comida organizada para que le sea más fácil encontrarla, y cierre la puerta tan pronto como la saque.
El control del refrigerador no ha sido ajustado correctamente para las condiciones de la habitación	Vea la sección Ajuste de los Controles. Espere 24 h para espabilizar la temperatura. Si la temperatura es demasiado fría ó caliente, mueva el control un nivel a la vez.
Una cantidad grande de alimento que acaba de agregarse al compartimiento del refrigerador.	Agregar comida caliente al refrigerador, puede tomar varias horas en que el refrigerador regrese a su temperatura normal.
La comida no se ha empacado bien en cada compartimiento	Vuelva a envolver la comida, ya que los olores se pueden transferir al hielo si la comida no está bien empacada.
No se ha cerrado correctamente la puerta.	Vea "Las puertas no cierran completamente".
El clima está húmedo.	En climas húmedos, el aire contiene humedad, la cual se introduce al refrigerador cuando las puertas se abren.
El ciclo de auto-descongelación ha terminado.	Es normal que se formen gotas de agua en la pared trasera después de completar un ciclo de descongelación.



LG Electronics Inc.

Free Manuals Download Website

<http://myh66.com>

<http://usermanuals.us>

<http://www.somanuals.com>

<http://www.4manuals.cc>

<http://www.manual-lib.com>

<http://www.404manual.com>

<http://www.luxmanual.com>

<http://aubethermostatmanual.com>

Golf course search by state

<http://golfingnear.com>

Email search by domain

<http://emailbydomain.com>

Auto manuals search

<http://auto.somanuals.com>

TV manuals search

<http://tv.somanuals.com>