

MVME5100
Single Board Computer

Programmer's
Reference Guide

V5100A/PG3

July 2003 Edition

© Copyright 2003 Motorola, Inc.

All rights reserved.

Printed in the United States of America.

Motorola and the Motorola logo are registered trademarks and AltiVec is a trademark of Motorola, Inc.

PowerPC and the PowerPC logo are registered trademarks; and PowerPC 750 is a trademark of International Business Machines Corporation and are used by Motorola, Inc. under license from International Business Machines Corporation.

All other products mentioned in this document are trademarks or registered trademarks of their respective holders.

Safety Summary

The following general safety precautions must be observed during all phases of operation, service, and repair of this equipment. Failure to comply with these precautions or with specific warnings elsewhere in this manual could result in personal injury or damage to the equipment.

The safety precautions listed below represent warnings of certain dangers of which Motorola is aware. You, as the user of the product, should follow these warnings and all other safety precautions necessary for the safe operation of the equipment in your operating environment.

Ground the Instrument.

To minimize shock hazard, the equipment chassis and enclosure must be connected to an electrical ground. If the equipment is supplied with a three-conductor AC power cable, the power cable must be plugged into an approved three-contact electrical outlet, with the grounding wire (green/yellow) reliably connected to an electrical ground (safety ground) at the power outlet. The power jack and mating plug of the power cable meet International Electrotechnical Commission (IEC) safety standards and local electrical regulatory codes.

Do Not Operate in an Explosive Atmosphere.

Do not operate the equipment in any explosive atmosphere such as in the presence of flammable gases or fumes. Operation of any electrical equipment in such an environment could result in an explosion and cause injury or damage.

Keep Away From Live Circuits Inside the Equipment.

Operating personnel must not remove equipment covers. Only Factory Authorized Service Personnel or other qualified service personnel may remove equipment covers for internal subassembly or component replacement or any internal adjustment. Service personnel should not replace components with power cable connected. Under certain conditions, dangerous voltages may exist even with the power cable removed. To avoid injuries, such personnel should always disconnect power and discharge circuits before touching components.

Use Caution When Exposing or Handling a CRT.

Breakage of a Cathode-Ray Tube (CRT) causes a high-velocity scattering of glass fragments (implosion). To prevent CRT implosion, do not handle the CRT and avoid rough handling or jarring of the equipment. Handling of a CRT should be done only by qualified service personnel using approved safety mask and gloves.

Do Not Substitute Parts or Modify Equipment.

Do not install substitute parts or perform any unauthorized modification of the equipment. Contact your local Motorola representative for service and repair to ensure that all safety features are maintained.

Observe Warnings in Manual.

Warnings, such as the example below, precede potentially dangerous procedures throughout this manual. Instructions contained in the warnings must be followed. You should also employ all other safety precautions which you deem necessary for the operation of the equipment in your operating environment.



To prevent serious injury or death from dangerous voltages, use extreme caution when handling, testing, and adjusting this equipment and its components.

Flammability

All Motorola PWBs (printed wiring boards) are manufactured with a flammability rating of 94V-0 by UL-recognized manufacturers.

EMI Caution



This equipment generates, uses and can radiate electromagnetic energy. It may cause or be susceptible to electromagnetic interference (EMI) if not installed and used with adequate EMI protection.

Lithium Battery Caution

This product contains a lithium battery to power the clock and calendar circuitry.



Danger of explosion if battery is replaced incorrectly. Replace battery only with the same or equivalent type recommended by the equipment manufacturer. Dispose of used batteries according to the manufacturer's instructions.



Il y a danger d'explosion s'il y a remplacement incorrect de la batterie. Remplacer uniquement avec une batterie du même type ou d'un type équivalent recommandé par le constructeur. Mettre au rebut les batteries usagées conformément aux instructions du fabricant.



Explosionsgefahr bei unsachgemäßem Austausch der Batterie. Ersatz nur durch denselben oder einen vom Hersteller empfohlenen Typ. Entsorgung gebrauchter Batterien nach Angaben des Herstellers.

CE Notice (European Community)

Motorola Computer Group products with the CE marking comply with the EMC Directive (89/336/EEC). Compliance with this directive implies conformity to the following European Norms:

EN55022 “Limits and Methods of Measurement of Radio Interference Characteristics of Information Technology Equipment”; this product tested to Equipment Class B

EN55024 “Information technology equipment—Immunity characteristics—Limits and methods of measurement”

Board products are tested in a representative system to show compliance with the above mentioned requirements. A proper installation in a CE-marked system will maintain the required EMC performance.

In accordance with European Community directives, a “Declaration of Conformity” has been made and is available on request. Please contact your sales representative.

Notice

While reasonable efforts have been made to assure the accuracy of this document, Motorola, Inc. assumes no liability resulting from any omissions in this document, or from the use of the information obtained therein. Motorola reserves the right to revise this document and to make changes from time to time in the content hereof without obligation of Motorola to notify any person of such revision or changes.

Electronic versions of this material may be read online, downloaded for personal use, or referenced in another document as a URL to the Motorola Computer Group website. The text itself may not be published commercially in print or electronic form, edited, translated, or otherwise altered without the permission of Motorola, Inc.

It is possible that this publication may contain reference to or information about Motorola products (machines and programs), programming, or services that are not available in your country. Such references or information must not be construed to mean that Motorola intends to announce such Motorola products, programming, or services in your country.

Limited and Restricted Rights Legend

If the documentation contained herein is supplied, directly or indirectly, to the U.S. Government, the following notice shall apply unless otherwise agreed to in writing by Motorola, Inc.

Use, duplication, or disclosure by the Government is subject to restrictions as set forth in subparagraph (b)(3) of the Rights in Technical Data clause at DFARS 252.227-7013 (Nov. 1995) and of the Rights in Noncommercial Computer Software and Documentation clause at DFARS 252.227-7014 (Jun. 1995).

Motorola, Inc.
Computer Group
2900 South Diablo Way
Tempe, Arizona 85282

Contents

About This Manual

Summary of Changes	xviii
Overview of Contents	xviii
Comments and Suggestions	xix
Conventions Used in This Manual	xix
Terminology	xx

CHAPTER 1 Product Data and Memory Maps

Introduction	1-1
Memory maps	1-4
Processor Memory Map	1-4
Default Processor Memory Map	1-4
Processor Memory Map	1-5
PCI Memory Map	1-7
VME Memory Map	1-7
PCI Local Bus Memory Map	1-8
VMEbus Memory Map	1-8
System Bus	1-8
Processors	1-9
Processor Type Identification	1-9
Processor PLL Configuration	1-9
L2 Cache	1-9
L2 Cache SRAM Size	1-10
Cache Speed	1-10
FLASH Memory	1-10
ECC Memory	1-11
P2 I/O Modes	1-11
Serial Presence Detect (SPD) Definitions	1-12
Hawk ASIC	1-12
Hawk I2C interface and configuration information	1-13
Vital Product Data (VPD) and Serial Presence Detect (SPD) Data	1-14
PCI Local Bus	1-15
PCI Arbitration Assignments for Hawk ASIC	1-15
The Ethernet Controller	1-16
PMC/PCI Expansion Slots	1-17

The Universe ASIC	1-17
PCI Configuration Space	1-19
Hawk External Register Bus Address Assignments.....	1-21
MVME5100 Hawk External Register Bus Summary	1-21
Dual TL16C550 UARTs.....	1-23
Status Register	1-24
MODFAIL Bit Register	1-25
MODRST Bit Register	1-26
TBEN Bit Register	1-27
NVRAM/RTC & Watchdog Timer.....	1-28
Software Readable Header/Switch Register (S1).....	1-29
Geographical Address Register (VME board)	1-30
Extended Features Register 1	1-31
Board Last Reset Register	1-32
Extended Features Register 2	1-33
IPMC7xx ISA Bus Resources	1-34
W83C554 PIB Registers	1-34
PC87308VUL Super I/O (ISASIO) Strapping	1-34
Z85230 ESCC and Z8536 CIO Registers and Port Pins	1-35
Z8536/Z85230 Registers	1-35
Z8536 CIO Port Pins	1-36
ISA DMA Channels	1-39

CHAPTER 2 Hawk PCI Host Bridge & Multi-Processor Interrupt Controller

Introduction	2-1
Overview	2-1
Features	2-1
Block Diagram.....	2-3
Functional Description	2-4
Architectural Overview	2-4
PPC Bus Interface	2-5
PPC Address Mapping	2-6
PPC Slave.....	2-7
PPC FIFO	2-9
PPC Master.....	2-10
PPC Arbiter	2-15
PPC Parity	2-17
PPC Bus Timer.....	2-18
PCI Bus Interface	2-19
PCI Address Mapping.....	2-19

PCI Slave	2-22
PCI FIFO	2-26
PCI Master	2-26
Generating PCI Cycles	2-29
PCI Arbiter	2-34
Endian Conversion.....	2-38
When PPC Devices are Big-Endian	2-38
When PPC Devices are Little Endian.....	2-39
PHB Registers.....	2-40
Error Handling	2-41
Watchdog Timers	2-42
PCI/PPC Contention Handling	2-45
Transaction Ordering	2-48
PHB Hardware Configuration	2-49
Multi-Processor Interrupt Controller (MPIC)	2-51
MPIC Features:	2-51
Architecture	2-51
External Interrupt Interface.....	2-52
CSR's Readability	2-53
Interrupt Source Priority	2-53
Processor's Current Task Priority	2-54
Nesting of Interrupt Events	2-54
Spurious Vector Generation	2-54
Interprocessor Interrupts (IPI)	2-55
8259 Compatibility	2-55
Hawk Internal Error Interrupt.....	2-55
Timers	2-56
Interrupt Delivery Modes.....	2-56
Block Diagram Description	2-57
Program Visible Registers	2-59
Interrupt Pending Register (IPR).....	2-59
Interrupt Selector (IS).....	2-59
Interrupt Request Register (IRR).....	2-60
In-Service Register (ISR)	2-60
Interrupt Router	2-60
Programming Notes	2-62
External Interrupt Service.....	2-62
Reset State	2-63
Operation	2-64
Interprocessor Interrupts	2-64
Dynamically Changing I/O Interrupt Configuration	2-64
EOI Register	2-65

Interrupt Acknowledge Register	2-65
8259 Mode	2-65
Current Task Priority Level	2-65
Architectural Notes.....	2-66
Effects of Interrupt Serialization	2-66
Registers	2-67
PPC Registers	2-68
Vendor ID/Device ID Registers	2-70
Revision ID Register	2-70
General Control-Status/Feature Registers.....	2-71
PPC Arbiter/PCI Arbiter Control Registers	2-73
Hardware Control-Status/Prescaler Adjust Register	2-77
PPC Error Test/Error Enable Register	2-79
PPC Error Status Register	2-82
PPC Error Address Register	2-84
PPC Error Attribute Register	2-85
PCI Interrupt Acknowledge Register	2-87
PPC Slave Address (0,1 and 2) Registers	2-88
PPC Slave Offset/Attribute (0, 1 and 2) Registers	2-89
PPC Slave Address (3) Register.....	2-90
PPC Slave Offset/Attribute (3) Registers.....	2-91
WDTxCNTL Registers	2-92
WDTxSTAT Registers.....	2-96
General Purpose Registers	2-96
PCI Registers	2-97
Vendor ID/ Device ID Registers	2-98
PCI Command/ Status Registers	2-99
Revision ID/ Class Code Registers	2-101
Header Type Register.....	2-101
MPIC I/O Base Address Register	2-102
MPIC Memory Base Address Register	2-102
PCI Slave Address (0,1,2, and 3) Registers	2-103
PCI Slave Attribute/ Offset (0,1,2 and 3) Registers.....	2-104
CONFIG_ADDRESS Register	2-106
CONFIG_DATA Register	2-109
MPIC Registers	2-110
MPIC Registers	2-110
Feature Reporting Register	2-113
Global Configuration Register	2-114
Vendor Identification Register.....	2-116
Processor Init Register	2-116
IPI Vector/Priority Registers.....	2-117

Spurious Vector Register.....	2-118
Timer Frequency Register	2-118
Timer Current Count Registers.....	2-119
Timer Basecount Registers.....	2-120
Timer Vector/Priority Registers	2-121
Timer Destination Registers	2-122
External Source Vector/Priority Registers	2-122
External Source Destination Registers	2-124
Hawk Internal Error Interrupt Vector/Priority Register	2-125
Hawk Internal Error Interrupt Destination Register	2-126
Interprocessor Interrupt Dispatch Registers	2-126
Current Task Priority Registers	2-127
Interrupt Acknowledge Registers	2-127
End-of-Interrupt Registers.....	2-128

CHAPTER 3 System Memory Controller (SMC)

Introduction.....	3-1
Overview.....	3-1
Bit Ordering Convention	3-1
Features	3-1
Block Diagrams	3-2
Functional Description.....	3-6
SDRAM Accesses.....	3-6
Four-beat Reads/Writes	3-6
Single-beat Reads/Writes	3-6
Address Pipelining.....	3-6
Page Holding	3-7
SDRAM Speeds.....	3-7
SDRAM Organization	3-9
PPC60x Bus Interface.....	3-9
Responding to Address Transfers.....	3-9
Completing Data Transfers.....	3-9
PPC60x Data Parity	3-10
PPC60x Address Parity	3-10
Cache Coherency	3-11
Cache Coherency Restrictions.....	3-11
L2 Cache Support	3-11
SDRAM ECC	3-11
Cycle Types	3-11
Error Reporting.....	3-12

Error Logging	3-13
ROM/Flash Interface	3-14
ROM/Flash Speeds.....	3-19
I2C Interface	3-22
I2C Byte Write	3-23
I2C Random Read.....	3-25
I2C Current Address Read	3-27
I2C Page Write.....	3-29
I2C Sequential Read.....	3-31
Refresh/Scrub	3-34
CSR Accesses.....	3-34
External Register Set.....	3-34
Chip Configuration.....	3-35
Programming Model.....	3-35
CSR Architecture	3-35
Register Summary	3-36
Detailed Register Bit Descriptions	3-38
Vendor/Device Register	3-39
Revision ID/General Control Register	3-39
SDRAM Enable and Size Register (Blocks A, B, C, D).....	3-41
SDRAM Base Address Register (Blocks A/B/C/D)	3-43
CLK Frequency Register.....	3-44
ECC Control Register	3-46
Error Logger Register	3-50
Error_Address Register	3-52
Scrub/Refresh Register.....	3-52
Scrub Address Register	3-53
ROM A Base/Size Register.....	3-54
ROM B Base/Size Register.....	3-57
ROM Speed Attributes Registers	3-59
Data Parity Error Log Register	3-61
Data Parity Error Address Register.....	3-62
Data Parity Error Upper Data Register	3-62
Data Parity Error Lower Data Register	3-63
I2C Clock Prescaler Register	3-64
I2C Control Register	3-64
I2C Status Register.....	3-65
I2C Transmitter Data Register	3-66
I2C Receiver Data Register.....	3-67
SDRAM Enable and Size Register (Blocks E,F,G,H)	3-67
SDRAM Base Address Register (Blocks E/F/G/H).....	3-68
SDRAM Speed Attributes Register	3-69

Address Parity Error Log Register	3-71
Address Parity Error Address Register.....	3-72
32-Bit Counter	3-73
External Register Set	3-73
then Register	3-74
Software Considerations	3-75
Programming ROM/Flash Devices.....	3-75
Writing to the Control Registers	3-75
Initializing SDRAM Related Control Registers	3-76
SDRAM Speed Attributes	3-76
SDRAM Size	3-77
I2C EEPROMs	3-77
SDRAM Base Address and Enable	3-77
SDRAM Control Registers Initialization Example	3-78
Optional Method for Sizing SDRAM.....	3-84
ECC Codes.....	3-87

CHAPTER 4 Hawk Programming Details

Introduction.....	4-1
PCI Arbitration.....	4-1
Hawk MPIC External Interrupts	4-1
8259 Interrupts	4-3
Exceptions.....	4-5
Sources of Reset.....	4-5
Soft Reset.....	4-5
CPU Reset.....	4-5
Error Notification and Handling.....	4-6
Endian Issues	4-7
Processor/Memory Domain	4-9
MPIC's Involvement.....	4-9
PCI Domain	4-9

APPENDIX A Related Documentation

Motorola Computer Group Documents	A-1
Manufacturers' Documents.....	A-2
Related Specifications.....	A-4

APPENDIX B MVME5100 VPD Reference Information

Vital Product Data (VPD) Introduction	B-1
How to Read the VPD Information	B-1
How to Modify the VPD Information	B-2
What Happens if the VPD Information is Corrupted?	B-3
How to Fix Corrupted VPD Information	B-3
What if Your Board Has the Wrong VPD?	B-3
How to Fix Wrong VPD Problems.....	B-3
VPD Definitions - Packet Types.....	B-4
VPD Definitions - Product Configuration Options Data.....	B-7
VPD Definitions - FLASH Memory Configuration Data	B-9
VPD Definitions - L2 Cache Configuration Data	B-10
VPD Definitions - VPD Revision Data.....	B-12
Configuration Checksum Calculation Code.....	B-14
Serial Presence Detect (SPD) Checksum Calculation	B-15

APPENDIX C VMEbus Mapping Example

Introduction	C-1
--------------------	-----

List of Figures

Figure 1-1. MVME5100 Block Diagram	1-3
Figure 1-2. VMEbus Master Mapping	1-18
Figure 2-1. Hawk PCI Host Bridge Block Diagram	2-3
Figure 2-2. PPC to PCI Address Decoding	2-6
Figure 2-3. PPC to PCI Address Translation	2-7
Figure 2-4. PCI to PPC Address Decoding	2-20
Figure 2-5. PCI to PPC Address Translation	2-21
Figure 2-6. PCI Spread I/O Address Translation	2-31
Figure 2-7. Big-to-Little-Endian Data Swap	2-39
Figure 2-8. Serial Mode Interrupt Scan	2-52
Figure 2-9. MPIC Block Diagram	2-58
Figure 3-1. Hawk Used with Synchronous DRAM in a System	3-2
Figure 3-2. Hawk's System Memory Controller Internal Data Paths	3-3
Figure 3-3. Overall SDRAM Connections (4 Blocks using Register Buffers)	3-4
Figure 3-4. Hawk's System Memory Controller Block Diagram	3-5
Figure 3-5. Programming Sequence for I2C Byte Write	3-24
Figure 3-6. Programming Sequence for I2C Random Read	3-26
Figure 3-7. Programming Sequence for I2C Current Address Read	3-28
Figure 3-8. Programming Sequence for I2C Page Write	3-30
Figure 3-9. Programming Sequence for I2C Sequential Read	3-33
Figure 3-10. Read/Write Check-bit Data Paths	3-47
Figure 4-1. Big-Endian Mode	4-7
Figure 4-2. Little-Endian Mode	4-8

List of Tables

Table 1-1. MVME Key Features	1-1
Table 1-2. Default Processor Memory Map	1-4
Table 1-3. Suggested CHRP Memory Map	1-6
Table 1-4. Hawk PPC Register Values for Suggested Memory Map	1-7
Table 1-5. I2C Device Addressing	1-14
Table 1-6. PCI Arbitration Assignments	1-15
Table 1-7. IDSEL Mapping for PCI Devices	1-19
Table 1-8. On-Board PCI Device Identification	1-20
Table 1-9. Hawk External Register Bus Summary	1-21
Table 1-10. 16550 Access Registers	1-23
Table 1-11. MVME5100 Status Register	1-24
Table 1-12. MODFAIL Bit Register	1-25
Table 1-13. MODRST Bit Register	1-26
Table 1-14. TBEN Bit Register	1-27
Table 1-15. M48T37V Access Registers	1-28
Table 1-16. Extended Features Register 1	1-31
Table 1-17. Extended Features Register 2	1-33
Table 1-18. Strap Pins Configuration for the PC87308VUL	1-34
Table 1-19. Z8536/Z85230 Access Registers	1-35
Table 1-20. Z8536 CIO Port Pins Assignment	1-36
Table 1-21. Interpretation of MID3-MID0	1-37
Table 1-22. PIB DMA Channel Assignments	1-39
Table 2-1. PPC Slave Response Command Types	2-8
Table 2-2. PPC Master Transaction Profiles and Starting Offsets	2-11
Table 2-3. PPC Master Write Posting Options	2-12
Table 2-4. PPC Master Read Ahead Options	2-12
Table 2-5. PPC Master Transfer Types	2-14
Table 2-6. PPC Arbiter Pin Assignments	2-15
Table 2-7. PCI Slave Response Command Types	2-23
Table 2-8. PCI Master Command Codes	2-27
Table 2-9. PCI Arbiter Pin Description	2-34
Table 2-10. Fixed Mode Priority Level Setting	2-35
Table 2-11. Mixed Mode Priority Level Setting	2-36
Table 2-12. Arbitration Setting	2-37

Table 2-13. Address Modification for Little Endian Transfers	2-40
Table 2-14. WDTxCNTL Programming	2-44
Table 2-15. PHB Hardware Configuration	2-50
Table 2-16. PPC Register Map for PHB	2-68
Table 2-17. PCI Configuration Register	2-97
Table 2-18. PCI I/O Register	2-98
Table 2-19. MPIC Register Map.....	2-110
Table 2-20. Cascade Mode Encoding	2-115
Table 2-21. Tie Mode Encoding	2-115
Table 3-1. 60x Bus to SDRAM Estimated Access Timing at 100 MHz with PC100 SDRAMs (CAS_latency of 2)	3-7
Table 3-2. Error Reporting.....	3-12
Table 3-3. PPC60x to ROM/Flash (16 Bit Width) Address Mapping.....	3-16
Table 3-4. PPC60x to ROM/Flash (64 Bit Width) Address Mapping.....	3-17
Table 3-5. PPC60x Bus to ROM/Flash Access Timing (120ns @ 100 MHz)	3-19
Table 3-6. PPC60x Bus to ROM/Flash Access Timing (80ns @ 100 MHz)	3-20
Table 3-7. PPC60x Bus to ROM/Flash Access Timing (50ns @ 100 MHz)	3-20
Table 3-8. PPC60x Bus to ROM/Flash Access Timing (30ns @ 100 MHz)	3-21
Table 3-9. Register Summary	3-36
Table 3-10. Block_A/B/C/D/E/F/G/H Configurations	3-42
Table 3-11. ROM Block A Size Encoding	3-55
Table 3-12. rom_a_rv and rom_b_rv encoding	3-55
Table 3-13. Read/Write to ROM/Flash.....	3-56
Table 3-14. ROM Block B Size Encoding	3-58
Table 3-15. ROM Speed Bit Encodings	3-60
Table 3-16. Trc Encoding	3-70
Table 3-17. tras Encoding.....	3-70
Table 3-18. Deriving tras, trp, trcd and trc Control Bit Values from SPD Information	3-79
Table 3-19. Programming SDRAM SIZ Bits	3-82
Table 3-20. Address Lists for Different Block Size Checks.....	3-86
Table 3-21. Syndrome Codes Ordered by Bit in Error	3-87
Table 3-22. Single Bit Errors Ordered by Syndrome Code.....	3-88

Table 4-1. MPIC Interrupt Assignments	4-1
Table 4-2. PBC ISA Interrupt Assignments	4-3
Table 4-3. Error Notification and Handling	4-6
Table A-1. Motorola Computer Group Documents	A-1
Table A-2. Manufacturers' Documents	A-2
Table A-3. Related Specifications	A-4
Table B-1. VPD Packet Types.....	B-4
Table B-2. MCG Product Configuration Options Data.....	B-7
Table B-3. FLASH Memory Configuration Data	B-9
Table B-4. L2 Cache Configuration Data	B-10
Table B-5. VPD Revision Data	B-12
Table C-1. MVME2700/MVME5100 Sample Slave Image Settings	C-1

About This Manual

The *MVME5100 Single Board Computer Programmer's Guide* provides the information you will need to program and configure your MVME5100 Single Board Computer. It provides specific programming information and data applicable to this board.

This guide provides programming information and other data applicable to the MVME5100. As an added convenience, it also provides details of the chip set (Hawk) programming functions. It is important to note that much of the board's programming functionality is associated with the Hawk ASIC. Additional programming information can also be found in the following manuals (refer to [Appendix A, Related Documentation](#)):

- ❑ PPCBug Firmware Package User's Manual
- ❑ PPCBug Diagnostics Manual
- ❑ MPC750 RISC Microprocessor User's Manual
- ❑ MPC7410 RISC Microprocessor User's Manual
- ❑ Universe II User Manual

The MVME5100 is a high-performance VME single board computer featuring the Motorola Computer Group (MCG) PowerPlus II architecture with a choice of PowerPC[®] processors—either Motorola's MPC7410 with AltiVec[™] technology for algorithmic intensive computations or the low-power MPC750 and MPC755.

As of the printing date of this manual, the MVME5100 is available in the configurations shown below.

Part Number	Description
450 MHz MPC750 Commercial Models	
MVME5100-016x	450 MHz MPC750, 512MB ECC SDRAM, 17MB Flash and 1MB L2 cache
400 MHz MPC755 Extended Temperature Models	
MVME5106-114x	400 MHz MPC755, 128MB ECC SDRAM, 17MB Flash and 1MB L2 cache
MVME5106-115x	400 MHz MPC755, 256MB ECC SDRAM, 17MB Flash and 1MB L2 cache
MVME5106-116x	400 MHz MPC755, 512MB ECC SDRAM, 17MB Flash and 1MB L2 cache
400 and 500 MHz MPC7410 Commercial Models	
MVME5110-216x	400 MHz MPC7410, 512MB ECC SDRAM, 17MB Flash and 2MB L2 cache
MVME5110-226x	500 MHz MPC7410, 512MB ECC SDRAM, 17MB Flash and 2MB L2 cache
500 MHz MPC7410 Extended Temperature Models	
MVME5107-214x	500 MHz MPC7410, 128MB ECC SDRAM, 17MB Flash and 2MB L2 cache
MVME5107-215x	500 MHz MPC7410, 256MB ECC SDRAM, 17MB Flash and 2MB L2 cache
MVME5107-216x	500 MHz MPC7410, 512MB ECC SDRAM, 17MB Flash and 2MB L2 cache
MVME712M Compatible I/O	
IPMC712-001	Multifunction rear I/O PMC module; 8-bit SCSI, Ultra Wide SCSI, one parallel port, three async and one sync/async serial port
MVME712M	Transition module connectors: One DB-25 sync/async serial port, three DB-25 async serial ports, one AUI connector, one D-36 parallel port, and one 50-pin 8-bit SCSI; includes 3-row DIN P2 adapter module and cable.
MVME761 Compatible I/O	
IPMC761-001	Multifunction rear I/O PMC module; 8-bit SCSI, one parallel port, two async and two sync/async serial ports
MVME761-001	Transition module: Two DB-9 async serial port connectors, two HD-26 sync/async serial port connectors, one HD-36 parallel port connector, and one RJ-45 10/100 Ethernet connector; includes 3-row DIN P2 adapter module and cable (for 8-bit SCSI).

Part Number	Description
MVME761-011	Transition module: Two DB-9 async serial port connectors, two HD-26 sync/async serial port connectors, one HD-36 parallel port connector, and one RJ-45 10/100 Ethernet connector; includes 5-row DIN P2 adapter module and cable (for 16-bit SCSI); requires backplane with 5-row DIN connectors.
SIM232DCE or DTE	EIA-232 DCE or DTE Serial Interface Module
SIM530DCE or DTE	EIA-530 DCE or DTE Serial Interface Module
SIMV35DCE or DTE	V.35 DCE or DTE Module
SIMX21DCE or DTE	X.21 DCE or DTE Serial Interface Module
Related Products	
PMCSAN1-002	PMCSAN-002 with original VME Scanbe ejector handles
PMCSAN1-010	PMCSAN-010 with original VME Scanbe ejector handles
RAM500-004	Stackable (top) 64MB ECC SDRAM mezzanine
RAM500-006	Stackable (top) 256MB ECC SDRAM mezzanine
RAM500-016	Stackable (bottom) 256MB ECC SDRAM mezzanine

Summary of Changes

The following changes were made for the 2nd revision of this manual.

Date	Doc. Rev	Changes
09/2001	V5100A/PG2	Memory Maps and additional register information was added to Chapter 1. Corrections were made to Table 4-1 in Chapter 4. Additions were made to Appendix A, Related Documentation. Appendix B, VPD Information was added. This section titled " <i>About this Manual</i> " was also added.
07/2003	v5100A/PG3	Added information at the end of Chapter 1 on IPMC7xx ISA Bus Resources. Corrected incorrect address for DS1621 SRAM. Added Appendix C, VMEbus Mapping Example. Added corrections/additions for CLK_FREQUENCY Register in Chapter 3.

Overview of Contents

The following paragraphs briefly describe the contents of each chapter.

Chapter 1, Product Data and Memory Maps, provides a description of the MVME5100, tables of specific memory maps and other control registers.

Chapter 2, Hawk PCI Host Bridge & Multi-Processor Interrupt Controller, provides a description of the Hawk's PowerPC to Local Bus Bridge (PHB) and the Multi-Processor Interrupt Controller (MPIC) including a list of features, a block diagram, a functional description and corresponding register tables.

Chapter 3, System Memory Controller (SMC), provides an explanation of the System Memory Controller (SMC) portion of the Hawk ASIC including a features list, block diagrams, functional descriptions, and an explanation and description of all corresponding registers.

Chapter 4, Hawk Programming Details, provides a summary of the Hawk programming details that are relevant to every day programming functions, including a listing of the Hawk MPIC External Interrupts, the

8259 Interrupts, and a description of certain exceptions such as sources of reset, error notification and handling, endian issues, and processor/Hawk relationships.

[Appendix A, *Related Documentation*](#), provides a listing of related Motorola manuals, vendor documentation and industry specifications.

[Appendix B, *MVME5100 VPD Reference Information*](#), provides an explanation of the VPD reference information including certain "How to" info, as well as specific VPD Data Definitions.

[Appendix C, *VMEbus Mapping Example*](#), provides an example of a mapping scenario between an MVME5100 and an MVME2700 on a VMEbus backplane.

Comments and Suggestions

Motorola welcomes and appreciates your comments on its documentation. We want to know what you think about our manuals and how we can make them better. Mail comments to:

Motorola Computer Group
Reader Comments DW164
2900 S. Diablo Way
Tempe, Arizona 85282

You can also submit comments to the following e-mail address:
reader-comments@mcg.mot.com

In all your correspondence, please list your name, position, and company. Be sure to include the title and part number of the manual and tell how you used it. Then tell us your feelings about its strengths and weaknesses and any recommendations for improvements.

Conventions Used in This Manual

The following typographical conventions are used in this document:

bold

is used for user input that you type just as it appears; it is also used for commands, options and arguments to commands, and names of programs, directories and files.

italic

is used for names of variables to which you assign values. Italic is also used for comments in screen displays and examples, and to introduce new terms.

`courier`

is used for system output (for example, screen displays, reports), examples, and system prompts.

<**Enter**>, <**Return**> or <**CR**>

<**CR**> represents the carriage return or Enter key.

CTRL

represents the Control key. Execute control characters by pressing the Ctrl key and the letter simultaneously, for example, **Ctrl-d**.

Terminology

A character precedes a data or address parameter to specify the numeric format, as follows (if not specified, the format is hexadecimal):

0x	Specifies a hexadecimal number
%	Specifies a binary number
&	Specifies a decimal number

An asterisk (*) following a signal name for signals that are *level significant* denotes that the signal is *true* or valid when the signal is low.

An asterisk (*) following a signal name for signals that are *edge significant* denotes that the actions initiated by that signal occur on high to low transition.

In this manual, *assertion* and *negation* are used to specify forcing a signal to a particular state. In particular, *assertion* and *assert* refer to a signal that is active or true; *negation* and *negate* indicate a signal that is inactive or false. These terms are used independently of the voltage level (high or low) that they represent.

Data and address sizes are defined as follows:

Byte	8 bits, numbered 0 through 7, with bit 0 being the least significant.
Half word	16 bits, numbered 0 through 15, with bit 0 being the least significant.
Word	32 bits, numbered 0 through 31, with bit 0 being the least significant.
Double word	64 bits, numbered 0 through 63, with bit 0 being the least significant.

Product Data and Memory Maps

1

Introduction

The MVME5100 is a state-of-the-art Single Board Computer. It incorporates Motorola's PowerPlus II architecture with a choice of PowerPC processors—either Motorola's MPC7410 with AltiVec™ technology for algorithmic intensive computations or the low-power MPC750 or MPC755.

The MVME5100 incorporates a highly optimized PCI interface and memory controller enabling up to 582MB/s memory read bandwidth and 640MB/s burst write bandwidth.

The on-board Hawk ASIC provides the bridge function between the processor's bus and the PCI bus. It provides 32-bit addressing and 64-bit data; however, 64-bit addressing (dual address cycle) is not supported. The ASIC also supports various processor external bus frequencies up to 100 MHz.

Note Unless otherwise specified, the designation "MVME5100" refers to all models of the MVME5100-series Single Board Computers.

The following table lists the key features of the MVME5100.

Table 1-1. MVME Key Features

Feature	Specification
Microprocessors and Bus Clock Frequency	<ul style="list-style-type: none">• MPC7410 @400 or 500 MHz Internal Clock Frequency• MPC750 or 755 @450 MHz Internal Clock Frequency• Bus Clock Frequency up to 100 MHz
L2 Cache (Optional)	<ul style="list-style-type: none">• 1MB (MPC750) or 2MB (MPC7400) using burst-mode SRAM modules.
Memory	<ul style="list-style-type: none">• EEPROM, on-board programmable• 1MB via two 32-pin PLCC/CLCC sockets;• 16MB Surface Mount

Table 1-1. MVME Key Features (Continued)

Feature	Specification
Main Memory (SDRAM)	<ul style="list-style-type: none"> • PC100 ECC SDRAM with 100 MHz bus • 32MB to 512MB on board, expandable to 1GB via RAM500 memory mezzanine
NVRAM	<ul style="list-style-type: none"> • 32KB (4KB available for users)
Memory Controller	<ul style="list-style-type: none"> • Hawk System Memory Controller (SMC)
PCI Host Bridge	<ul style="list-style-type: none"> • Hawk PCI Host Bridge (PHB)
Interrupt Controller	<ul style="list-style-type: none"> • Hawk Multi-Processor Interrupt Controller (MPIC)
Peripheral Support	<ul style="list-style-type: none"> • Dual 16550-Compatible Asynchronous Serial Port's Routed to the Front Panel RJ-45 Connector (COM1) and On-Board Header (COM2) • Dual Ethernet Interfaces, one routed to the Front Panel RJ-45, one routed to the Front Panel RJ-45 or optionally routed to P2, RJ-45 on MVME761
VMEbus	<ul style="list-style-type: none"> • Tundra Universe Controller, 64-bit PCI • Programmable Interrupter & Interrupt Handler • Programmable DMA Controller With Link List Support • Full System Controller Functions
PCI/PMC/Expansion	<ul style="list-style-type: none"> • Two 32/64-bit PMC Slots with Front-Panel I/O Plus, P2 Rear I/O (MVME2300 Routing) • One PCI Expansion Connector (for the PMCSpan)
Miscellaneous	<ul style="list-style-type: none"> • Combined RESET and ABORT Switch • Status LEDs
Form Factor	<ul style="list-style-type: none"> • 6U VME

The following block diagram illustrates the architecture of the MVME5100 Single Board Computer.

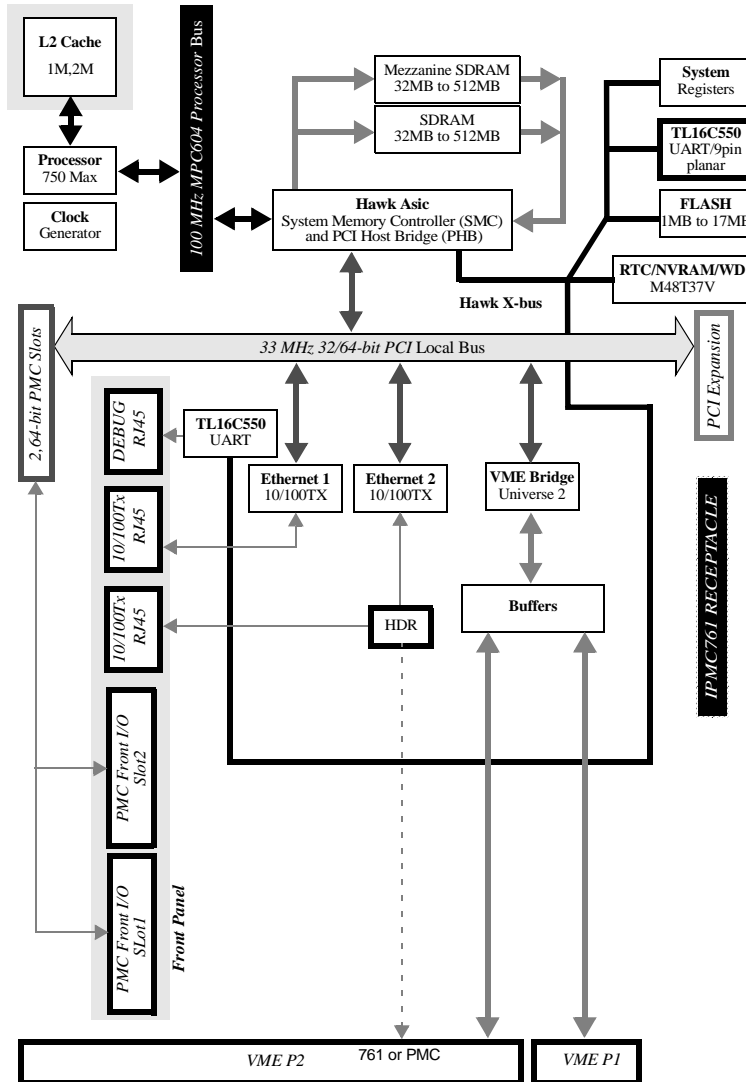


Figure 1-1. MVME5100 Block Diagram

Memory maps

The following sections describe the memory maps for the MVME5100.

Processor Memory Map

The processor memory map configuration is under the control of the PCI Host Bridge (PHB) and System Memory Controller (SMC) portions of the Hawk ASIC. The Hawk adjusts system mapping to suit a given application via programmable map decoder registers. At system power-up or reset, a default processor memory map takes over.

Following a reset, the memory map presented to the processor is identical to the CHRP memory map described in this document.

The MVME5100 is fully capable of supporting both the PREP and the CHRP processor memory maps with ROM/FLASH size limited to 16MB and RAM size limited to 2GB.

Default Processor Memory Map

The default processor memory map that is valid at power-up or reset remains in effect until reprogrammed for specific applications. [Table 1-2](#) defines the entire default map (\$00000000 to \$FFFFFFFF).

Table 1-2. Default Processor Memory Map

Processor Address		Size	Definition
Start	End		
0000 0000	7FFF FFFF	2GB	Not Mapped
8000 0000	8080 FFFF	8M+64K	Zero-based PCI/ISA I/O Space
8081 0000	FEF7 FFFF	2GB-24MB-576KB	Not Mapped
FEF8 0000	FEF8 FFFF	64KB	System Memory Controller Registers

Table 1-2. Default Processor Memory Map (Continued)

Processor Address		Size	Definition
Start	End		
FEF9 0000	FEFE FFFF	384KB	Not Mapped
FEFF 0000	FEFF FFFF	64KB	PCI Host Bridge (PHB) Registers
FF00 0000	FFEF FFFF	15MB	Not Mapped
FFF0 0000	FFFF FFFF	1MB	ROM/FLASH Bank A or Bank B (See Note)

Note The first 1MB of ROM/FLASH Bank A (soldered Flash up to 8MB) appears in this range after a reset if the *rom_b_rv* control bit in the SMC's ROM B Base/Size register is cleared. If the *rom_b_rv* control bit is set, this address range maps to ROM/FLASH Bank B (socketed 1MB Flash).

For an example of the CHRP memory map refer to the following table. For detailed processor memory maps, including suggested CHRP- and PREP-compatible memory maps, refer to the Hawk related portion of this manual.

Processor Memory Map

The following table describes a suggested CHRP Memory Map from the point of view of the processor. This memory map is an alternative to the PREP memory map. Note: in all recommended CHRP maps, the beginning of PCI Memory Space is determined by the end of DRAM rounded up to the nearest 256MB-boundary as required by CHRP. For example, if memory was 1G on the baseboard and 192MB on a mezzanine, the beginning of PCI memory would be rounded up to address 0x50000000 (1G + 256M).

Table 1-3. Suggested CHRP Memory Map

Processor Address		Size	Definition	Notes
Start	End			
0000 0000	top_dram	dram_size	System Memory (onboard DRAM)	1
top_dram	F3FF FFFF	4G-dram_size	PCI Memory Space	1, 5
F400 0000	F7FF FFFF	64MB	FLASH Bank A (optional)	1, 2
F800 0000	FBFF FFFF	64MB	FLASH Bank B (optional)	1, 2
FC00 0000	FDFE FFFF	32MB	Reserved	
FE00 0000	FE7F FFFF	8MB	PCI/ISA I/O Space	1
FE80 0000	FEF7 FFFF	7.5MB	Reserved	
FEF8 0000	FEF8 FFFF	64KB	System Memory Controller Registers	
FEF9 0000	FEFE FFFF	384KB	Reserved	
FEFF 0000	FEFF FFFF	64KB	Processor Host Bridge Registers	4
FF00 0000	FF7F FFFF	8MB	FLASH Bank A (preferred)	1, 2
FF80 0000	FF8F FFFF	1MB	FLASH Bank B (preferred)	1, 2
FF90 0000	FFEF FFFF	6MB	Reserved	
FFF0 0000	FFFF FFFF	1MB	Boot ROM	3

Notes

1. Programmable via Hawk ASIC
2. The actual PowerPlus II size of each ROM/FLASH bank may vary.
3. The first 1MB of ROM/FLASH Bank A appears at this range after a reset if the *rom_b_rv* control bit is cleared. If the *rom_b_rv* control bit is set this address maps to ROM/FLASH Bank B.
4. The only method to generate a PCI Interrupt Acknowledge cycle (8259 IACK) is to perform a read access to the Hawks PIACK Register at 0xFEFF0030.
5. VME should be placed at toe top of PCI memory space.

The following table shows the programmed values for the associated Hawk PCI Host Bridge Registers for the suggested Processor Memory Map.

Table 1-4. Hawk PPC Register Values for Suggested Memory Map

Address	Register Name	Register Name
FEFF 0040	MSADD0	X000 F3FF [X:1..8]
FEFF 0044	MSOFF0 & MSATT0	0000 00C2
FEFF 0048	MSADD1	FE00 FE7F
FEFF 004C	MSOFF1 & MSATT1	0200 00C0
FEFF 0050	MSADD2	0000 0000
FEFF 0054	MSOFF2 & MSATT2	0000 0000
FEFF 0058	MSADD3	0000 0000
FEFF 005C	MSOFF3 & MSATT3	0000 0000

PCI Memory Map

Following a reset, the Hawk ASIC disable's all PCI slave map decoders. The MVME5100 is fully capable of supporting both PREP and CHRP PCI Memory Maps with RAM size limited to 2GB. The default values for the PCI Slave Image registers, are listed in Chapter 3, PPCBug, of the *MVME5100 Single Board Computer Installation and Use* manual.

VME Memory Map

The MVME5100 is fully capable of supporting both the PREP and the CHRP VME Memory Maps with RAM size limited to 2GB. The default values for the VME Slave Image registers are listed in Chapter 3, PPCBug, of the *MVME5100 Single Board Computer Installation and Use* manual.

PCI Local Bus Memory Map

The PCI memory map is controlled by the MPU/PCI bus bridge controller portion of the Hawk ASIC and by the Universe PCI/VME bus bridge ASIC. The Hawk and Universe devices adjust system mapping to suit a given application via programmable map decoder registers.

No default PCI memory map exists. Resetting the system turns the PCI map decoders off, and they must be reprogrammed in software for the intended application.

For detailed PCI memory maps, including suggested CHRP- and PREP-compatible memory maps, refer to the Hawk portion of this manual (Chapters 2 and 3).

VMEbus Memory Map

The map of the VMEbus is programmable. Like other parts of the MVME510x memory map, the mapping of local resources as viewed by VMEbus masters varies among applications.

The Universe PCI/VME bus bridge ASIC includes a user-programmable map decoder for the VMEbus-to-local-bus interface. The address translation capabilities of the Universe enable the processor to access any range of addresses on the VMEbus.

Recommendations for VMEbus mapping, including suggested CHRP- and PREP-compatible memory maps, can be found in the Hawk portion of this manual (Chapters 2 and 3).

System Bus

The following sections describe the processor system bus for the MVME5100. Only the PPC60x bus interface is supported.

Processors

The MVME5100 has the BGA foot print that supports the MPC750, MPC755 and MPC7410 processors. The maximum external processor bus speed is 100 MHz. Parity checking is supported for the system address and data busses.

Processor Type Identification

The processor version can be determined by reading the Processor Version Register (PVR). The PVR version number value for the MPC750 and MPC755 processors is 0x0008. The processor revision level starts at 0x0100 and is updated for each silicon revision. For example, revision 1 of the MPC750 is 0x00080100. Revision 2 is 0x00080200, and so on. Incremental revisions, such as 2.1, are identified as 0x00080201 and so on. For the MPC7410, the PVR version number value is 0x000C, and the revision levels use the same nomenclature as the MPC750, e.g., 0x0100 and so on.

Processor PLL Configuration

The processor internal clock frequency (core frequency) is a multiple of the system bus frequency. The processor has four configuration pins, PLL_CFG[0:3], for hardware strapping of the processor core frequency between 2x and 8x the system bus frequency, in 0.5x steps.

The PLL configuration is dynamic at power-up and varies depending upon the existence of a memory mezzanine attached to the host board.

L2 Cache

The MVME5100 SBC uses a back-door L2 cache structure via the Max processor chip. Max's L2 cache is implemented with an onchip 2-way, set-associative tag memory and external direct mapped synchronous SRAMs for data storage. The external SRAMs are accessed through a dedicated 72-bit wide (64-bits of data and 8 bits of address) L2 cache port on the processor. The L2 cache normally operates in copyback modes and supports system cache coherency through snooping. Parity generation and

checking may be disabled by programming Max accordingly. Refer to the *MPC750*, *MPC755* or the *MPC7410 RISC Microprocessor Users Manual* and Chapter 3 of this manual for more information on programming cache.

L2 Cache SRAM Size

The L2 cache port will support SRAM configurations of 1MB or 2MB. The L2 cache size is defined by reading the Vital Product Data (VPD) SROM and programming the L2SIZ bits in the processor's Cache Control Register (L2CR).

Cache Speed

The MPC7410 and the MPC750 cache port provides the clock for the synchronous SRAMs. This clock is generated by dividing the processor core frequency. Available core-to-cache dividers range from 1 to 4, in .5 steps for the MPC7400. For the MPC750, the core-to-cache dividers range from 1 to 3 in .5 steps.

The core-to-cache ratio is selected by reading the VPD SROM and programming the L2CLK bits of the processor's Cache Control Register. Refer to the *MPC7400 RISC Microprocessor Users Manual* or the *MPC750 RISC Microprocessor Users Manual* as listed in [Appendix A, Related Documentation](#) for more information.

FLASH Memory

The MVME5100 contains two banks of FLASH memory. Bank B consists of two 32-pin devices that can be populated with 1MB of FLASH memory. Only 8-bit writes are supported for this bank. Bank A has 4 16-bit Smart Voltage FLASH SMT devices. With the 16 Mbit FLASH devices, the FLASH size is 8MB. With 32 Mbit FLASH devices, the FLASH size is 16MB. Only 32-bit writes are supported for this bank of FLASH. There is a jumper to tell the Hawk ASIC where to fetch the reset vector. When the jumper is installed, the Hawk ASIC maps 0xfff00100 to these sockets (Bank B). Flash memory characteristics are fully compatible with those specified further on in this programmer's guide for Flash Blocks A and B.

ECC Memory

The on-board and optional memory mezzanines allow a variety of memory size options; i.e., memory size can be 32MB, 64MB, 128MB, 256MB, or 512MB for a total of up to 1GB of planar and mezzanine ECC memory. The SDRAM memory is controlled by the Hawk ASIC, which provides single-bit error correction and double-digit error detection. ECC is calculated over 72-bits. Refer to the Hawk portion of this manual (Chapters 2 and 3) for additional programming information.

Memory block size is dependent upon the SDRAM devices installed. Installing five 64 Mbit (16-bit data) devices provide 32MB of memory. With 64 Mbit (8-bit data) devices, each block consists of 9 devices that total 64MB per block. With 128 Mbit (8-bit data) devices, a block can be populated for 128MB. With 256 Mbit (8-bit data) devices, a block can be populated for 256MB.

When populated, the planar memory blocks appear as Block A and Block B to the Hawk. The optional mezzanine memory blocks appear as Block C and Block E to the Hawk.

The optional memory mezzanine can configure the planar local bus frequency upon power-up. This will reduce the planar local bus frequency of 100 MHz to 83.33 MHz when mezzanines are used. Either one or two mezzanines can be installed. Each mezzanine will add one bank of SDRAM memory of either 32MB, 64MB, 128MB, or 256MB. A total of 512MB of mezzanine memory can be added.

Refer to the *MVME5100 Single Board Computer Installation and Use* manual for installation and configuration instructions for the RAM500 memory mezzanine board, and refer to Chapters 2 and 3 of this manual for additional programming information on programming the memory mezzanines using the Hawk ASIC.

P2 I/O Modes

The MVME5100 has two P2 I/O modes (SBC and PMC) that are user configurable with 4 jumpers on the planar (refer to the jumper settings in the *MVME5100 Single Board Computer Installation and Use* manual). The jumpers route the on-board Ethernet Port 2 to Row C of the P2

connector. The SBC mode (also know as 761 mode or IPMC mode) is backwards compatible with the MVME761 transition card and P2 adapter card (excluding PMC IO routing) used on MVME2600/2700 models. PMC mode is backwards compatible with the MVME2300 and MVME2400 models. The SBC mode is accomplished by configuring planar jumpers and attaching an IPMC761 PMC card in PMC slot 1 of the MVME5100. Refer to the *IPMC712/761 I/O Module Installation and Use* manual for additional installation and programming information. PMC mode is accomplished by configuring planar jumpers. The P2 IO mode jumper configuration for the SBC and PMC modes are described in the *MVME5100 Single Board Computer Installation and Use* manual.

Serial Presence Detect (SPD) Definitions

The MVME5100 SPD uses the SPD JEDEC standard definition. On-board SPD for SDRAM Bank A or both A and B of the Hawk is accessed at Address \$A8 . Only Bank A or Banks A and B may be populated. If both Banks A and B are populated, they will be of the same speed and memory size. Memory Mezzanine 1 SPD for SDRAM Bank C of the Hawk is accessed at Address \$AA. Memory Mezzanine 2 SPD for SDRAM Bank E of the Hawk is accessed at address \$AC.

The SPD format conforms to the JEDEC industry standard JESD21-C.

Hawk ASIC

The Hawk ASIC provides the bridge function between the MPC60x bus and the PCI local bus. It provides 32-bit addressing and 64-bit data. The 64-bit addressing capability (dual address cycle) is not supported. The Hawk supports various PowerPC processor external bus frequencies, up to 100MHz.

There are four programmable map decoders for each direction to provide flexible address mappings between the MPC and the PCI local bus. Refer to Chapters 2 and 3 in this manual for more programming information on the Hawk.

The Hawk ASIC also provides an Multi-Processor Interrupt Controller (MPIC) to handle various interrupt sources. The interrupt sources are: Four MPIC Timer Interrupts, the interrupts from all PCI devices, and the two software interrupts.

Hawk I²C interface and configuration information

The Hawk ASIC has an I²C (Inter-Integrated Circuit) two-wire serial interface bus: Serial Clock Line (SCL) and Serial Data Line (SDA) composed of two 256 x 8 Serial EEPROM's.

This interface has master-only capability and is used to communicate the configuration information to a slave I²C serial EEPROM. A separate EEPROM is used to maintain the configuration information related to the board (Vital Product Data; VPD, User Configuration Data; UCD) and a separate EEPROM for on-board Memory Subsystem Data (MSD).

If an optional memory mezzanine is used, that mezzanine shall contain a separate EEPROM with its own memory subsystem data. Each slave device connected to the I²C bus is software addressable by a unique address.

There can be seven slave devices connected to the I²C bus on the MVME5100. The VPD address is \$A0. The UPD address is \$A2.

The on-board MSD address (Memory Bank A and B) is \$A8. The optional Memory Mezzanine 1 MSD addresses is \$AA (Memory Bank C) and \$AC (Memory Bank E) for mezzanine 2.

The IPMC761 VPD address is \$A4. A digital thermometer (DS1621) I²C address is \$96. Some configuration options in the Hawk ASIC must be configured at power-up reset time before software performs any accesses

to it. Other configuration information is needed by software to properly configure the Hawk's control registers. This information can be obtained from devices connected to the I²C bus.

Table 1-5. I2C Device Addressing

Device Function	Size	Device Address (A2A1A0)	Software Address
Onboard Configuration VPD	256x8	000b	\$A0
Onboard User Configuration Data UPD	256x8	001b	\$A2
IPMC761 Onboard Configuration VPD	256x8	010b	\$A4
Digital Thermometer (DS1621)	256x8	011b	\$96
Onboard Memory Bank SPD (Bank A and B)	256x8	100b	\$A8
Optional Memory Mezzanine 1 (Banks C/D)	256x8	101b	\$AA
Optional Memory Mezzanine 2 (Banks E/F)	256x8	110b	\$AC
Unpopulated SROM device	256x8	111b	\$AE

Vital Product Data (VPD) and Serial Presence Detect (SPD) Data

Vital Product Data (VPD) and Serial Presence Detect (SPD) information consists of data items that are pertinent to board configuration and operation. For information on the VPD and SPD data formats and definitions refer to [Appendix B, MVME5100 VPD Reference Information](#). The registers related to this information is accessed through the I²C interface of the Hawk ASIC.

PCI Local Bus

There are eight potential PCI bus masters on the MVME510x:

- ❑ Hawk ASIC (MPU/PCI bus bridge controller)
- ❑ Intel GD82559ER Ethernet controller (Port 1)
- ❑ Intel GD82559ER Ethernet controller (Port 2)
- ❑ Universe II ASIC (PCI/VME bus bridge controller)
- ❑ PMC Slot 1 (SCSI device on IPMC761 in PMC Slot 1)
- ❑ PIB device on IPMC761 in PMC Slot 1
- ❑ PMC Slot 2 (PCI mezzanine card)
- ❑ PCI Expansion Slot

PCI Arbitration Assignments for Hawk ASIC

The PCI arbitration is performed by the Hawk ASIC, which supports seven external PCI masters, in addition to itself. Details on PCI arbitration can be found further on in this chapter (*PCI Arbitration Assignments for Hawk ASIC*).

The arbitration assignments for the MVME510x are shown in the following table.

Table 1-6. PCI Arbitration Assignments

PCI Bus Request	PCI Master(s)
Request 0 (PARBI0)	Universe ASIC (VMEbus) PARBI0
Request 1 (PARBI1)	PMC Slot 1 (SCSI device on IPMC761 in PMC Slot 1)*
Request 2 (PARBI2)	PIB device on IPMC761 in PMC Slot 1*

Table 1-6. PCI Arbitration Assignments (Continued)

PCI Bus Request	PCI Master(s)
Request 3 (PARBI3)	PMC Slot 2
Request 4 (PARBI4)	PCIX Slot (PCI Expansion via PMCSPAN)
Request 5 (PARBI5)	Ethernet Port 1 (Front Panel)
Request 6 (PARBI6)	Ethernet Port 2 (Front Panel or P2)

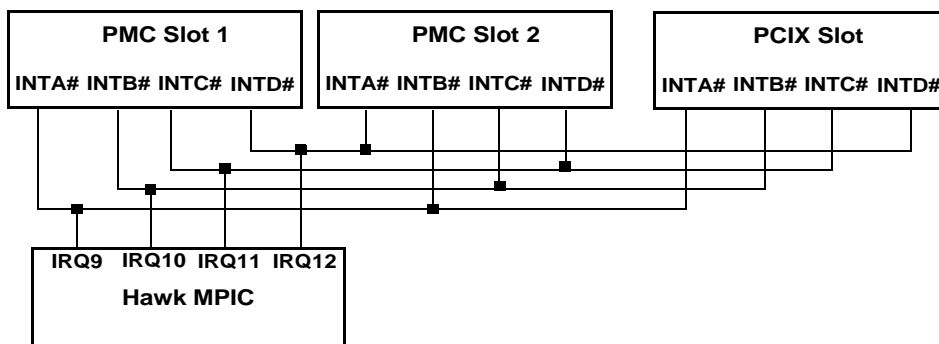
*Refer to the *IPMC712/761 I/O Module Installation and Use* manual.

The Ethernet Controller

The MVME5100 provides dual Ethernet interfaces (Port 1 and Port 2) via two pairs of Intel GD82559ER Fast Ethernet PCI controller chips. Port 1's 10BaseT/100BaseTx interface is routed through the front panel. Port 2's Ethernet interface is routed to either the front panel or the P2 connector, as configured by jumpers. The front panel connectors are RJ-45. Every MVME5100 board is assigned two Ethernet Station Addresses. The address is \$0001AFxxxxxx, where xxxxxx is the unique number assigned to each interface. The higher Ethernet Station Address corresponds to Port 1 and the lower Ethernet Station Address corresponds to Port 2. The Ethernet Station Addresses are displayed on labels attached to the PMC front-panel keep-out area. In addition, the presence of the Ethernet device can be positively determined by reading the Vital Product Data (VPD) Serial EEPROM which provides storage of the MVME5100 hardware configuration. Refer to [Appendix B, MVME5100 VPD Reference Information](#) for more information on VPD. Refer to the *Intel GD82559ER Reference Manual and Data Sheet*, as referenced in [Appendix A, Related Documentation](#), for additional details on the Ethernet controller.

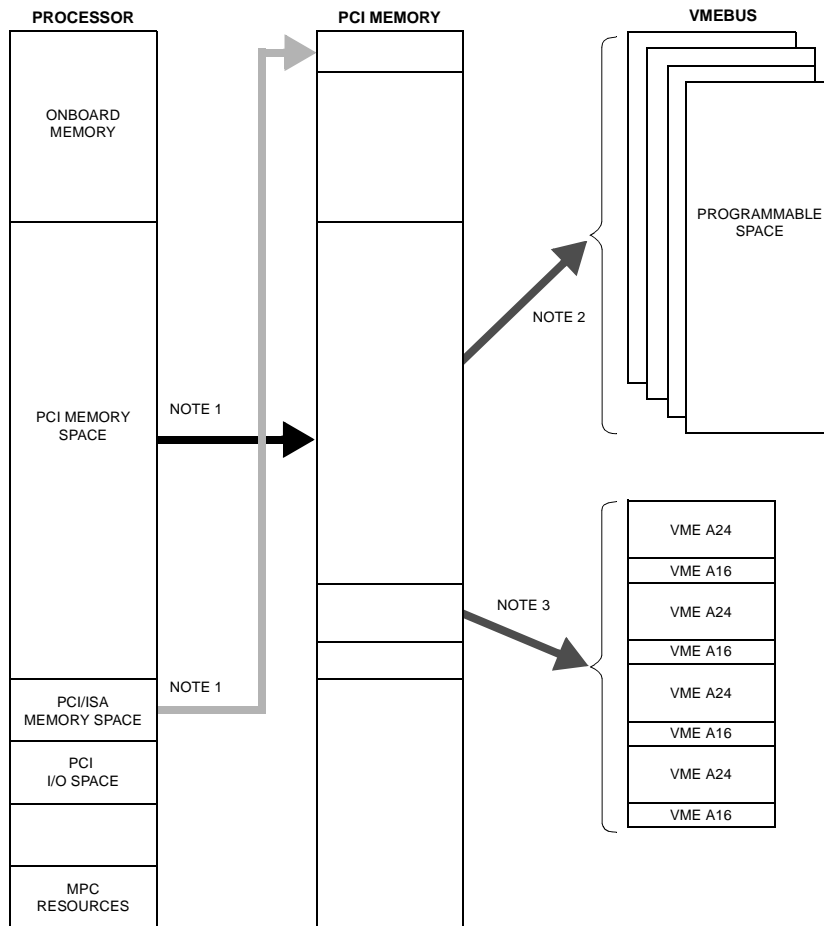
PMC/PCI Expansion Slots

Up to two PMC slots and one PCIX slot may be present. The presence of the PMCs and/or PCIX can be positively determined by reading the Base Module Feature Register. The INTA#, INTB#, INTC#, and INTD# from the three PMC/PCIX slots are routed by the MVME5100 as follows:



The Universe ASIC

The VMEbus interface is provided by the Universe ASIC. Refer to the *Universe II User Manual* as listed in [Appendix A, Related Documentation](#) for more information.



NOTES: 1. Programmable mapping done by Hawk ASIC.
 2. Programmable mapping performed via PCI Slave images in Universe ASIC.
 3. Programmable mapping performed via Special Slave image (SLSI) in Universe ASIC.

11553.00 9609

Figure 1-2. VMEbus Master Mapping

PCI Configuration Space

Access to PCI configuration space is accomplished via the Hawk ASIC using the CONADD and CONDAT Registers. The location and operation of these registers is fully described in the section titled *Generating PCI Configuration Cycles* in Chapter 2. The IDSEL assignments for MVME5100 are shown on the following table:

Table 1-7. IDSEL Mapping for PCI Devices

Device Number Field	PCI Address Line	IDSEL Connection
0b0_0000	AD31	Hawk ASIC
0b0_1011	AD11	PCI/ISA Bridge (on IPMC761)
0b0_1100	AD12	Not used
0b0_1101	AD13	Universe VME Bridge ASIC
0b0_1110	AD14	Ethernet Device Port 1 (Front Panel)
0b1_0000	AD16	PMC Slot 1 (SCSI Device (on IPMC761))
0b1_0001	AD17	PMC Slot 2
0b1_0011	AD19	Ethernet Device Port 2 (Front Panel or P2)
0b1_0100	AD20	PCI Expansion (PMCspan) Note: AD20 connection to IDSEL is made on the PMCspan

The following table shows the current Vendor ID, the Device ID, and the Revision ID for each of the on-board PCI devices on the MVME5100:

Table 1-8. On-Board PCI Device Identification

Device	Device	Vendor ID	Device ID	Revision ID
SMC,PHB	Hawk ASIC	1057h	4803h	01h
VME	Universe ASIC	10E3h	0000h	XXh
Ethernet	Intel GD82559ER	8086h	1209h	09h

Hawk External Register Bus Address Assignments

This section will describe in detail the Hawk External Register Bus Address Assignments on MVME5100. The address range for the External Register Set on MVME5100 is fixed at \$FEF88000-\$FEF8FFFF.

MVME5100 Hawk External Register Bus Summary

The Hawk External Register Summary of the MVME5100 is shown in the table below:

Table 1-9. Hawk External Register Bus Summary

Address	Bits: REQUIRED (r) OPTIONAL (o) by PowerPlus II							Register Name	
	0	1	2	3	4	5	6		7
\$FEF88000	THIS GROUP REQUIRED							UART - 1 -RBR/THR	
\$FEF88010								UART - 1 -IER	
\$FEF88020								UART - 1 -IIR/FCR	
\$FEF88030								UART - 1 -LCR	
\$FEF88040								UART - 1 -MCR	
\$FEF88050								UART - 1 -LSR	
\$FEF88060								UART - 1 -MSR	
\$FEF88070								UART - 1 -SCR	
\$FEF88080						o	r	r	STATUS REGISTER
\$FEF88090						o	r	r	MODFAIL REGISTER
\$FEF880A0							o	r	MODRST REGISTER
\$FEF880C0							o	r	TBEN REGISTER

Table 1-9. Hawk External Register Bus Summary (Continued)

Address	Bits: REQUIRED (r) OPTIONAL (o) by PowerPlus II								Register Name
	0	1	2	3	4	5	6	7	
\$FEF880C8	THIS GROUP OPTIONAL								NVRAM/RTC ADDR
\$FEF880D0									NVRAM/RTC ADDR
\$FEF880D8									NVRAM/RTC DATA
\$FEF880E0	o	o	o	o	o	o	o	o	SOFTWARE READABLE HEADER/SWITCH
\$FEF880E8	REQUIRED								GEOGRAPHIC Address REGISTER
\$FEF880F0	o	o	o	o	o	o	o	o	EXTENDED FEATURES REGISTER 1
\$FEF88100								o	EXTENDED FEATURES REGISTER 2
\$FEF88200	THIS GROUP OPTIONAL								UART - 2-RBR/THR
\$FEF88210									UART - 2-IER
\$FEF88220									UART - 2-IIR/FCR
\$FEF88230									UART - 2-LCR
\$FEF88240									UART - 2-MCR
\$FEF88250									UART - 2-LSR
\$FEF88260									UART - 2-MSR
\$FEF88270									UART - 2-SCR

Dual TL16C550 UARTs

The MVME5100 implementation of the Dual TL16C550 UARTs are fully compliant with the PowerPlus II Programming Model for UART Registers. The following tables reflect this model.

The MVME5100 uses UART-1 and UART-2 for asynchronous serial debug ports (four are allowed by the PowerPlus II Programming Model). The first UART (UART-1) is addressed at External Register Set Address Offset \$8000 (FEF8 8000). The second (UART-2) is addressed at offset \$8200 (FEF8 8200). The UART 8-bit data port (RD0-RD7) is connected to the most significant bits of the 64-bit External Register Set. The UART port addressing occurs on 16-byte address boundaries, and are backward compatible with the PPMC750.

Table 1-10. 16550 Access Registers

Required or Optional	External Register Set Address Offset	Function
UART-1 Registers	8000	Receiver Buffer (Read), Transmitter Holding (Write)
	8010	Interrupt Enable
	8020	Interrupt Identification (Read), FIFO Control (Write)
	8030	Line Control
	8040	MODEM Control
	8050	Line Status
	8060	MODEM Status
	8070	Scratch
UART-2 Registers	8200	Receiver Buffer (Read), Transmitter Holding (Write)
	8210	Interrupt Enable
	8220	Interrupt Identification (Read), FIFO Control (Write)
	8230	Line Control
	8240	MODEM Control
	8250	Line Status
	8260	MODEM Status
	8270	Scratch

Status Register

The MVME5100 implementation of this Register is fully compliant with the PowerPlus II programming model, with exceptions to bits RD5, RD6 and RD7, as identified in the following table:

An 8-bit status register, accessible through the External Register Set port, defines the status of the Module.

Table 1-11. MVME5100 Status Register

REG	Status Register - FEF88080h							
BIT	RD0	RD1	RD2	RD3	RD4	RD5	RD6	RD7
FIELD						FUSE	BAUDOUT	SYSCON_
OPER	R	R	R	R	R	R	R	R
RESET	X	X	X	X	X	X	X	0
REQUIRED OR OPTIONAL	X	X	X	X	X	O	R	R

- SYSCON_** System Controller Mode bit. If this bit is set, the module is not the master of its PCI bus (PCI bus 0). If this bit is cleared, the module is the master of its PCI bus (PCI bus 0). This bit always reads as cleared (“0”).
- BAUDOUT** This is the baud output clock of the TL16C550 UART, referenced to the 1.8432 MHz UART oscillator. This signal can be used as a timing reference.
- FUSE** This bit provides the current state of the FUSE signal. If set, at least one of the planar fuses or polyswitches is open.

MODFAIL Bit Register

The MVME5100 implementation of this register is fully compliant with the PowerPlusII programming specification with exceptions to bit RD5, as indicated in the following table:

The MODFAIL Bit Register provides the means to illuminate the module's Board Fail LED.

Table 1-12. MODFAIL Bit Register

REG	Module Fail Bit Register - FEF88090h							
BIT	RD0	RD1	RD2	RD3	RD4	RD5	RD6	RD7
FIELD						GREEN_LED (NOT USED)	ABORT_	MODFAIL
OPER	R	R	R	R	R	R/W	R	R/W
RESET	X	X	X	X	X	0	X	1
REQUIRED OR OPTIONAL	X	X	X	X	X	O	R	R

MODFAIL Setting this bit will illuminate the Board Fail LED. Clearing this bit will turn off the LED.

ABORT_ This bit provides the current state of the ABORT_ signal. If set, ABORT_ is not active. If cleared, the ABORT_ signal is active.

GREEN_LED This bit not used.

MODRST Bit Register

The MODRST Bit register provides the means to reset the board.

Table 1-13. MODRST Bit Register

REG	Module Reset Bit Register - FEF880A0h							
BIT	D0	D1	D2	D3	D4	D5	D6	D7
FIELD							RESET_REQ (Not Used)	MODRST
OPER	R	R	R	R	R	R	R	W
RESET	X	X	X	X	X	X	X	0

MODRST Setting this bit resets the module. This bit will automatically clear following the reset. This bit is undefined when reading.

RESET_REQ Clearing this bit causes the RST_REQ_ signal to be asserted. This bit will automatically deassert following reset. The host board is expected to assert a PCI reset when this signal is cleared.

TBEN Bit Register

The MVME5100 implementation of this register is fully compliant with the PowerPlus II Programming Specification, with exceptions to Bit RD6, as indicated in the following table:

The TBEN Bit register provides the means to control the Processor Timebase Enable input.

Table 1-14. TBEN Bit Register

REG	TBEN Bit Register - Offset 80C0h							
BIT	RD0	RD1	RD2	RD3	RD4	RD5	RD6	RD7
FIELD							TBEN1 (NOT USED)	TBEN0
OPER	R	R	R	R	R	R	R/W	R/W
RESET	X	X	X	X	X	X	1	1
REQUIRED OR OPTIONAL	X	X	X	X	X	X	O	R

TBEN0 Processor 0 Time Base Enable. When this bit is cleared, the TBEN pin of Processor 0 will be driven low. When this bit is set, the TBEN pin is driven high.

TBEN1 This bit is not used.

NVRAM/RTC & Watchdog Timer

The MVME5100's NVRAM/RTC and Watchdog Timer functions are supplied by an M48T37V device and is fully compliant with the PowerPlusII internal programming configuration. The M48T37V provides 32K of non-volatile SRAM, a time-of-day clock, and a watchdog timer. Accesses to the M48T37V is accomplished via three registers: the NVRAM/RTC Address Strobe 0 Register, the NVRAM/RTC Address Strobe 1 Register, and the NVRAM/RTC Data Port Register. The NVRAM/RTC Address Strobe 0 Register latches the lower 8 bits of the address and the NVRAM/RTC Address Strobe 1 Register latches the upper 5 bits of the address

Table 1-15. M48T37V Access Registers

Required of Optional	Offset Address	Function
This Group Optional	80C8	NVRAM/RTC Address Strobe 0 (A7-A0)
	80D0	NVRAM/RTC Address Strobe 1 (A15-A8)
	80D8	NVRAM/RTC Data Register

The NVRAM and RTC is accessed through the above three registers. When accessing an NVRAM/RTC location, perform the following procedure:

1. Write the low address (A7-A0) of the NVRAM to the NVRAM/RTC STB0 register,
2. Write the high address (A15-A8) of the NVRAM to the NVRAM/RTC STB1 register, and
3. Then read or write the NVRAM/RTC Data Port.

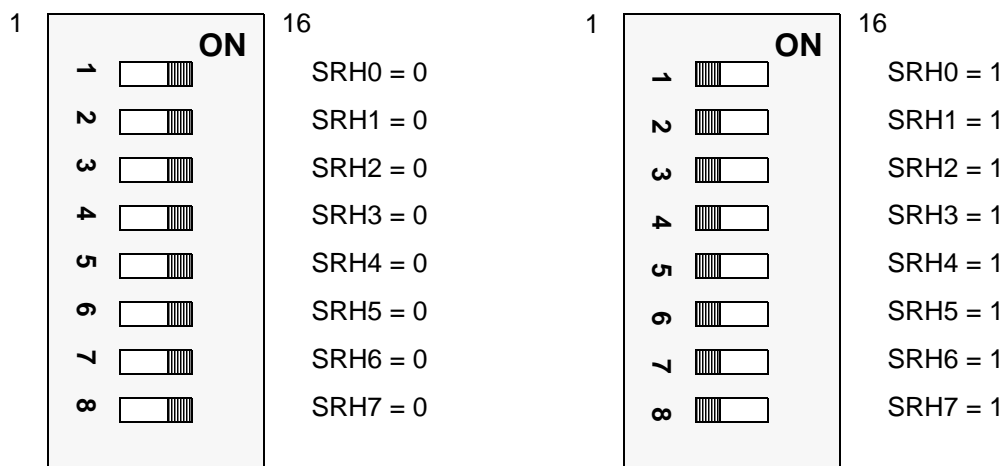
Note The M48T37V RST_L output (pin 2) is connected to the board reset logic. If the Watchdog Timer is programmed to generate a reset, a board reset will occur when this output is activated.

Refer to the *M48T37V Data Sheet* for additional details and programming information.

Software Readable Header/Switch Register (S1)

The MVME5100's use of this register is fully compliant with the PowerPlus II internal programming configuration. A 1x8 header/switch (S1) is provided as the Software Readable Header/Switch (SRH). A logic 0 means the header/switch is in the "on" position for that particular bit and a logic 1 means the header/switch is in the "off" position. SRH Register Bit 0 is associated with Pin 1 and Pin 16 of the SRH and SRH Register Bit 7 is associated with Pin 8 and Pin 9 of the SRH. The following table and switch settings depict the aforementioned configuration.

REG	Software Readable Header/Switch Register - Offset 80E0h							
BIT	RD0	RD1	RD2	RD3	RD4	RD5	RD6	RD7
FIELD	SRH7	SRH6	SRH5	SRH4	SRH3	SRH2	SRH1	SRH0
OPER	R	R	R	R	R	R	R	R
RESET	N/A	N/A	N/A	N/A	N/A	N/A	N/A	N/A
REQUIRED OR OPTIONAL	O	O	O	O	O	O	O	O



Geographical Address Register (VME board)

The following register provides geographical address status. The Geographical Address Register is an 8-bit read-only register. This register reflects the states of the geographical address pins on the 5-row, 160-pin P1 connector.

REG	Geographical Address Register - Offset 80E8h							
BIT	RD0	RD1	RD2	RD3	RD4	RD5	RD6	RD7
FIELD			GAP#	GA4#	GA3#	GA2#	GA1#	GA0#
OPER	READ ONLY							
RESET	X	X	X	X	X	X	X	X
REQUIRED OR OPTIONAL	REQUIRED ON MODULE WITH VME							

Extended Features Register 1

This register is used to read if a PMC board is present or if a PCI expansion slot is present. Exceptions to the PowerPlus II Programming Specification are included in the following table.

Table 1-16. Extended Features Register 1

REG	Extended Features Register 1 - Offset 80F0h							
BIT	RD0	RD1	RD2	RD3	RD4	RD5	RD6	RD7
FIELD	USBV1_OK (NOT USED)	USBV0_OK (NOT USED)	TMPRSNT_L (NOT USED)	PMC1P_L	PMC2P_L	PMC2_ERDY (NOT USED)	MMEZ1_P_L	MMEZ2_P_L
OPER	R	R	R	R	R	R	R	R
RESET	x	x	x	x	x	x	x	x
REQUIRED OR OPTIONAL	O	O	O	O	O	O	O	O

PMC1P_L PMC Module 1 Present. If set, there is no PMC module installed in position 1. If cleared, the PMC module is installed

PMC2P_L PMC Module 2 Present. If set, there is no PMC module installed in position 2. If cleared, the PMC module is installed.

MMEZ1_P_L Memory Mezzanine 1 present. When set there is no memory mezzanine 1 present. When cleared, there is a memory mezzanine 1 present.

MMEZ2_P_L Memory Mezzanine 2 present. When set, there is no memory mezzanine 1 present. When cleared, there is a memory mezzanine 2 present.

Board Last Reset Register

This register is used to retain the source of the most recent reset.

REG	Board Last Reset Register - Offset 80F8h							
BIT	RD0	RD1	RD2	RD3	RD4	RD5	RD6	RD7
FIELD			SWHRST	CMDRST	CPCIRST	WDT2	FPBTN	PWRON
OPER	R	R	R	R	R	R	R	R
RESET	x	x	x	x	x	x	x	x
REQUIRED OR OPTIONAL	X	X	O	O	O	O	O	O

- PWRON** Power-On Reset. If set, a power-on reset has occurred or an undervoltage reset has occurred on 3.3V or 5V.
- FPBTN** Front Panel Push Button Reset. If set, a front panel push button reset has occurred.
- WDT2** Watchdog Timer Level 2 Reset. If set, a level 2 Watchdog timer reset has occurred.
- CPCIRST** CompactPCI Reset. If set, a CompactPCI RST# reset has occurred. Not applicable for the MVME5100.
- CMDRST** CompactPCI Command Reset. If set, a software reset command has been issued to the 21554 bridge from the CompactPCI bus. Not applicable for MVME5100.
- SWHRST** Software Hard Reset. If set, a software initiated hard reset has occurred via the PBC Port 92 Fast Reset bit of the SA Test Mode register.

Extended Features Register 2

This register is used to read if a PMC board is present or if a PCI expansion slot is present.

Table 1-17. Extended Features Register 2

REG	Extended Features Register 2 - Offset 80F0h							
BIT	RD0	RD1	RD2	RD3	RD4	RD5	RD6	RD7
FIELD	PCIXP_L							
OPER	R	R	R	R	R	R	R	R
RESET	x	x	x	x	x	x	x	x
REQUIRED OR OPTIONAL	O	O	O	O	O	O	O	O

PCIXP_L PCI Expansion Slot Present. If set, there is no PCIX device installed. If cleared, the PCIX slot contains a PCI Mezzanine Card.

IPMC7xx ISA Bus Resources

The following subsections provide resource information pertaining to ISA bus resources that are present, if an IPMC712 or IPMC761 is mounted on the MVME5x00 Series Computer. They are accessible through the W83C554 PIB, which is present on the IPMC module.

W83C554 PIB Registers

The PIB contains ISA Bridge I/O registers for various functions. These registers are actually accessible from the PCI bus. Refer to the W83C554 Data Book for details.

PC87308VUL Super I/O (ISASIO) Strapping

The PC87308VUL Super I/O (ISASIO) provides the following functions to the MVME5100 series: a keyboard interface, a PS/2 mouse interface, a PS/2 floppy port, two async serial ports and a parallel port. Refer to the PC87308VUL Data Sheet for additional details and programming information.

The following table shows the hardware strapping for the Super I/O device:

Table 1-18. Strap Pins Configuration for the PC87308VUL

Pins	Reset Configuration
CFG0	0 - FDC, KBC and RTC wake up inactive.
CFG1	1 - Xbus Data Buffer (XDB) enabled.
CFG3, CFG2	00 - Clock source is 24MHz fed via X1 pin.
BADDR1, BADDR2	11 - PnP Motherboard, Wake in Config State. Index \$002E.
SELCS	1 - CS0# on CS0# pin.

Z85230 ESCC and Z8536 CIO Registers and Port Pins

The Z85230 ESCC is used to provide the two sync/async serial ports on some MVME5100 series models. The PCLK which can be used to obtain the baud rates, is 10 MHz. Refer to the SCC User's Manual for programming information on the Z85230 ESCC device.

The Z8536 CIO is used to provide the modem control lines not provided by the Z85230 ESCC and a method to inquire the module ID of the two sync/async serial ports that reside on the MVME761 module. Refer to the Z8536 Data Sheet for programming information.

Z8536/Z85230 Registers

Accesses to the Z8536 CIO and the Z85230 ESCC are accomplished via Port Control and Port Data Registers. The PCLK to the Z8536 is 5 MHz. Also, a Pseudo IACK Register is also defined to retrieve interrupt vectors from these devices. The Z8536 CIO has higher priority than the Z85230 ESCC in the interrupt daisy chain. The following list the registers associated with accessing these two devices:

Table 1-19. Z8536/Z85230 Access Registers

PCI I/O Address	Function
0000 0840	Z85230: Port B (Serial Port 4) Control
0000 0841	Z85230: Port B (Serial Port 4) Data
0000 0842	Z85230: Port A (Serial Port 3) Control
0000 0843	Z85230: Port A (Serial Port 3) Data
0000 0844	Z8536 CIO: Port C's Data Register
0000 0845	Z8536 CIO: Port B's Data Register
0000 0846	Z8536 CIO: Port A's Data Register
0000 0847	Z8536 CIO: Control Register
0000 084F	Z85230/Z8536 Pseudo IACK

Z8536 CIO Port Pins

The assignment for the Port pins of the Z8536 CIO is as follows::

Table 1-20. Z8536 CIO Port Pins Assignment

Port Pin	Signal Name	Direction	Descriptions
PA0	TM3_MID0	Input	Port 3 Test Mode when IDREQ_ = 1; Module ID Bit 0 when IDREQ_ = 0.
PA1	DSR3_MID1	Input	Port 3 Data Set Ready when IDREQ_ = 1; Module ID Bit 1 when IDREQ_ = 0.
PA2	RI3_	Input	Port 3 Ring Indicator
PA3	LLB3_MODSEL	Output	Port 3 Local Loopback (IDREQ_ = 1) or Port Select (IDREQ_ = 0): IDREQ_ = 0 & MODSEL = 0 => Port 3 ID Select IDREQ_ = 0 & MODSEL = 1 => Port 4 ID Select
PA4	RLB3_	Output	Port 3 Remote Loopback
PA5	DTR3_	Output	Port 3 Data Terminal Ready
PA6	BRDFAIL	Output	Board Fail: When set will cause FAIL LED to be lit.
PA7	IDREQ_	Output	Module ID Request - low true
PB0	TM4_MID2	Input	Port 4 Test Mode when IDREQ_ = 1; Module ID Bit 2 when IDREQ_ = 0.
PB1	DSR4_MID3	Input	Port 4 Data Set Ready when IDREQ_ = 1; Module ID Bit 3 when IDREQ_ = 0.
PB2	RI4_	Input	Port 4 Ring Indicator
PB3	LLB4_	Output	Port 4 Local Loopback
PB4	RLB4_	Output	Port 4 Remote Loopback
PB5	DTR4_	Output	Port 4 Data Terminal Ready
PB6	FUSE	Input	FUSE = 1 means that at least one of the fuses or polyswitches is open.

Table 1-20. Z8536 CIO Port Pins Assignment (Continued)

Port Pin	Signal Name	Direction	Descriptions
PB7	ABORT_	Input	Status of ABORT# signal
PC0	Reserved	I/O	Reserved
PC1	Reserved	I/O	Reserved
PC2	Reserved	I/O	Reserved
PC3	Reserved	I/O	Reserved

Note The direction and the polarity of the Z8536's port pins are software programmable.

The module ID signals, which are only valid when IDREQ_ is asserted, indicate the type of the serial module that is installed on either Port 3 or Port 4. The following table shows how to interpret the MID3-MID0 signals:

Table 1-21. Interpretation of MID3-MID0

IDREQ_	LLB3_ MODSEL	MID3	MID2	MID1	MID0	Serial Module Type	Module Assembly Number
1	X	X	X	X	X	Invalid module ID	
0	0	0	0	0	0	Module 3: EIA232 DCE	01-W3876B01
0	0	0	0	0	1	Module 3: EIA232 DTE	01-W3877B01
0	0	0	0	1	0	Module 3: EIA530 DCE	01-W3878B01
0	0	0	0	1	1	Module 3: EIA530 DTE	01-W3879B01
0	0	1	1	1	1	Module 3 Not Installed	
0	1	0	0	0	0	Module 4: EIA232 DCE	01-W3876B01
0	1	0	0	0	1	Module 4: EIA232 DTE	01-W3877B01
0	1	0	0	1	0	Module 3: EIA530 DCE	01-W3878B01

Table 1-21. Interpretation of MID3-MID0

IDREQ_	LLB3_ MODSEL	MID3	MID2	MID1	MID0	Serial Module Type	Module Assembly Number
0	1	0	0	1	1	Module 3: EIA530 DTE	01-W3879B01
0	1	1	1	1	1	Module 4 Not Installed	

Note Because IDREQ_ and MID3-MID0 signals go through the P2MX (P2 multiplexing) function used on MVME5100 series boards configured for the MVME761-type transition module, software must wait for the MID3-MID0 to become valid after asserting IDREQ_. The waiting time should be about 4 microseconds because the sampling rate is about 1.6 microsecond with a 10MHz MXCLK clock.

ISA DMA Channels

There are seven ISA DMA channels in the PIB. Channels 0 through 3 support only 8-bit DMA devices while Channels 5 through 7 support only 16-bit DMA devices. These DMA channels are assigned as follows:

Table 1-22. PIB DMA Channel Assignments

PIB Priority	PIB Label	Controller	DMA Assignment
Highest	Channel 0	DMA1	Serial Port 3 Receiver (Z85230 Port A Rx)
	Channel 1		Serial Port 3 Transmitter (Z85230 Port A Tx)
	Channel 2		Floppy Drive Controller
	Channel 3		Parallel Port
	Channel 4	DMA2	Not available - Cascaded from DMA1
	Channel 5		Serial Port 4 Receiver (Z85230 Port B Rx)
	Channel 6		Serial Port 4 Transmitter (Z85230 Port B Tx)
Lowest	Channel 7		Not Used

Note Because the Z85230 is an 8-bit device and Channels 5 and 6 are 16-bit DMA Channels, only every other byte (the even bytes) from memory is valid.

Hawk PCI Host Bridge & Multi-Processor Interrupt Controller

2

Introduction

Overview

This chapter describes the architecture and usage of the PowerPC to PCI Host Bridge (PHB) and the Multi-Processor Interrupt Controller (MPIC) portion of the Hawk ASIC. The Hawk is intended to provide PowerPC 60x (PPC60x bus) compliant devices access to devices residing on the PCI Local Bus. In the remainder of this chapter, the PPC60x bus is referred to as the PPC bus and the PCI Local Bus as PCI. PCI is a high performance 32-bit or 64-bit burst mode, synchronous bus capable of transfer rates of 132MB/sec in 32-bit mode or 264MB/sec in 64-bit mode using a 33 MHz clock.

Features

- ❑ PPC Bus Interface
 - Direct interface to MPC750, MPC755, or MPC7410 processor.
 - 64-bit data bus, 32-bit address bus.
 - Four independent software programmable slave map decoders.
 - Multi-level write post FIFO for writes to PCI.
 - Support for PPC bus clock speeds up to 100 MHz.
 - Selectable big or little endian operation.
 - 3.3 V signal levels
- ❑ PCI Interface
 - Fully PCI Rev. 2.1 compliant.
 - 32-bit addressing, 32 or 64-bit data bus.
 - Support for accesses to all three PCI address spaces.
 - Multiple-level write posting buffers for writes to the PPC bus.

- Read-ahead buffer for reads from the PPC bus.
- Four independent software programmable slave map decoders.
- Interrupt Controller
 - MPIC compliant.
 - MPIC programming model.
 - Support for 16 external interrupt sources and two processors.
 - Supports 15 programmable Interrupt and Processor Task priority levels.
 - Supports the connection of an external 8259 for ISA/AT compatibility.
 - Distributed interrupt delivery for external I/O interrupts.
 - Multiprocessor interrupt control allowing any interrupt source to be directed to either processor.
 - Multilevel cross processor interrupt control for multiprocessor synchronization.
 - Four Interprocessor Interrupt sources
 - Four 32-bit tick timers.
 - Processor initialization control
- Two 64-bit general purpose registers for cross-processor messaging.

Block Diagram

2

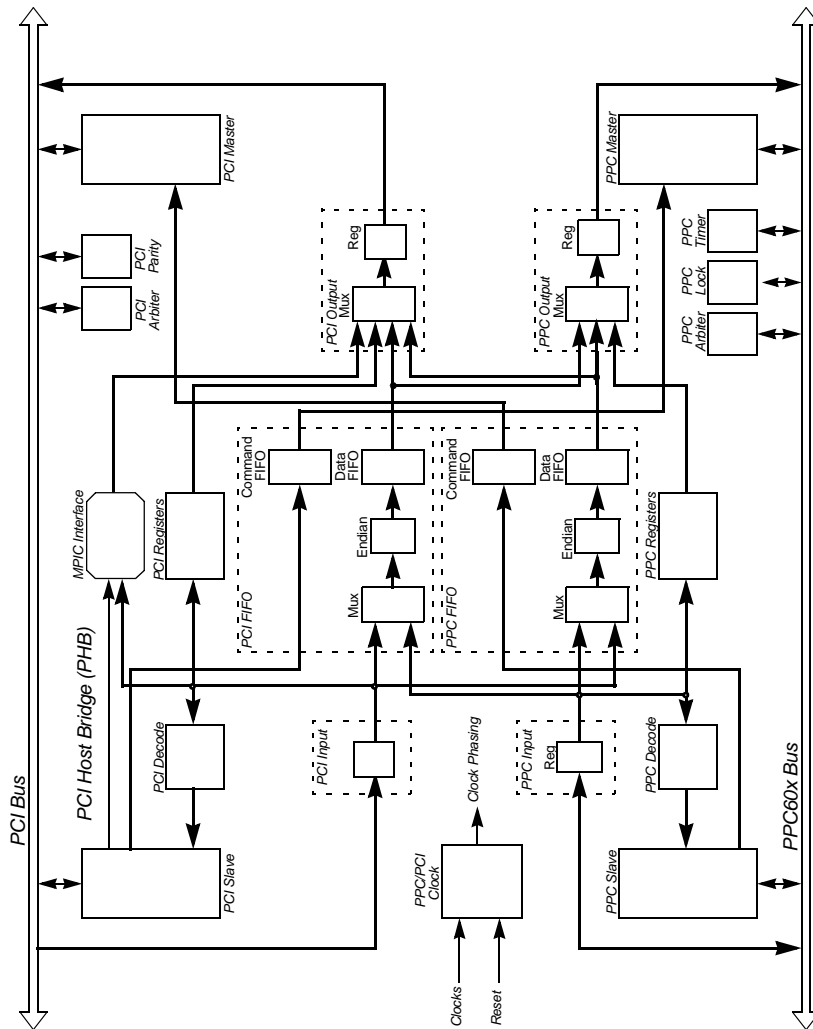


Figure 2-1. Hawk PCI Host Bridge Block Diagram

Functional Description

Architectural Overview

A functional block diagram of the Hawk's PCI Host Bridge (PHB) is shown in Figure 2-1. The PHB control logic is subdivided into the following functions: PCI Slave, PCI Master, PPC Slave and PPC Master. The PHB data path logic is subdivided into the following functions: PCI FIFO, PPC FIFO, PCI Input, PPC Input, PCI Output, and PPC Output. Address decoding is handled in the PCI Decode and PPC Decode blocks. The control register logic is contained in the PCI Registers and PPC Registers blocks. The clock phasing and reset control logic is contained within the PPC/PCI Clock block.

The FIFO structure implemented within PHB was selected to allow independent data transfer operations to occur between PCI bound transactions and PPC bound transactions. The PCI FIFO is used to support PPC bound transactions, while the PPC FIFO is used to support PCI bound transactions. Each FIFO supports a command path and a data path. The data path portion of each FIFO incorporates a multiplexer to allow selection between write data and read data, as well as logic to handle the PPC/PCI endian function.

All PPC originated PCI bound transactions utilize the PPC Slave and PCI Master functions for maintaining bus tracking and control. During both write and read transactions, the PPC Slave places command information into the PPC FIFO. The PCI Master draws this command information from the PPC FIFO when it is ready to process the transaction. During write transactions, write data is captured from the PPC60x bus within the PPC Input block. This data is fed into the PPC FIFO. The PCI Output block removes the data from the FIFO and presents it to the PCI bus. During read transactions, read data is captured from the PCI bus within the PCI Input block. From there, the data is fed into the PPC FIFO. The PPC Output block removes the data from the FIFO and presents it to the PPC60x bus.

All PCI originated PPC bound transactions utilize the PCI Slave and PPC Master functions for maintaining bus tracking and control. During both write and read transactions, the PCI Slave places command information into the PCI FIFO. The PPC Master draws this command information from the PCI FIFO when it is ready to process the transaction. During write transactions, write data is captured from the PCI bus within the PCI Input block. This data is fed into the PCI FIFO. The PPC Output block removes the data from the FIFO and presents it to the PPC60x bus. During read transactions, read data is captured from the PPC60x bus within the PPC Input block. From there, the data is fed into the PCI FIFO. The PCI Output block removes the data from the FIFO and presents it to the PCI bus.

The MPIC is hosted by the PHB. A custom MPIC Interface is provided to allow write data and control to be passed to the MPIC and to allow read data to be passed back to the PHB. The MPIC Interface is controlled exclusively by the PCI Slave.

The data path function imposes some restrictions on access to the MPIC, the PCI Registers, and the PPC Registers. The MPIC and the PCI Registers are only accessible to PCI originated transactions. The PPC Registers are only accessible to PPC originated transactions.

The PHB has several small blocks that support various PPC functions. Arbitration is provide by the PPC Arbiter block. Cache line locking (via PCI Lock) is handled by the PPC Lock block. Finally, a timer function is implemented in the PPC Timer block.

The PHB also provides miscellaneous support for various PCI functions. Arbitration on the PCI bus is handled by the PCI Arbiter block. Parity checking and generation is handled within the PCI Parity block.

PPC Bus Interface

The PPC Bus Interface connects directly to one MPC750 or MPC7400 microprocessor and one peripheral PPC60x master device. It uses a subset of the capabilities of the PPC bus protocol.

PPC Address Mapping

The PHB will map either PCI memory space or PCI I/O space into PPC address space using four programmable map decoders. These decoders provide windows of access to the PCI bus from the PPC bus. The most significant 16 bits of the PPC address are compared with the address range of each map decoder, and if the address falls within the specified range, the access is passed on to the PCI. An example of this is shown in [Figure 2-2](#).

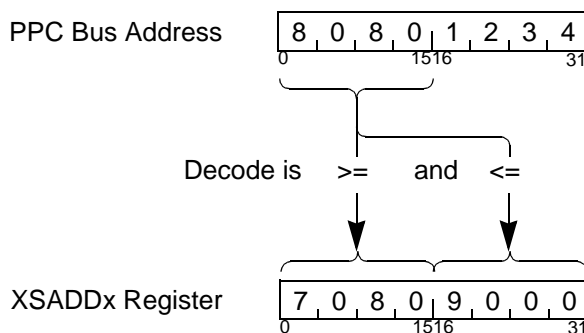


Figure 2-2. PPC to PCI Address Decoding

There are no limits imposed by the PHB on how large of an address space a map decoder can represent. There is a lower limit of a minimum of 64KB due to the resolution of the address compare logic.

For each map, there is an associated set of attributes. These attributes are used to enable read accesses, enable write accesses, enable write posting, and define the PCI transfer characteristics.

Each map decoder also includes a programmable 16-bit address offset. The offset is added to the 16 most significant bits of the PPC address, and the result is used as the PCI address. This offset allows PCI devices to reside at any PCI address, independent of the PPC address map. An example of this is shown in [Figure 2-3](#).

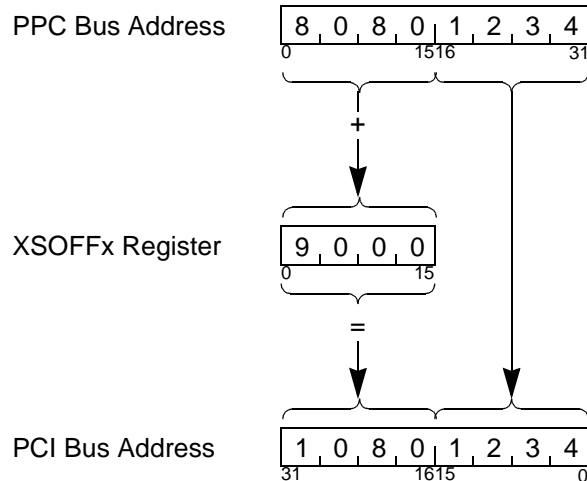


Figure 2-3. PPC to PCI Address Translation

Care should be taken to ensure that all programmable decoders decode unique address ranges since overlapping address ranges will lead to undefined operation.

PPC Slave

The PPC slave provides the interface between the PPC bus and the PPC FIFO. The PPC slave is responsible for tracking and maintaining coherency in the PPC60x processor bus protocol. The actions taken by the PPC Slave to service a transaction are dependent upon whether the transaction is posted or compelled. During compelled transactions, such as a read or a non-posted single beat write, the PPC Slave will hold off asserting *AACK_* and *TA_* until after the transaction has completed on the PCI bus. This has the effect of removing all levels of pipelining during compelled PHB accesses. The interdependency between the assertion of

AACK_ and **TA_** allows the PPC Slave to assert a retry to the processor in the event that the transaction is unable to complete on the PCI side. It should be noted that any transaction that crosses a PCI word boundary could be disrupted after only having a portion of the data transferred.

The PPC Slave cannot perform compelled burst write transactions. The PPC bus protocol mandates that the qualified retry window must occur no later than the assertion of the first **TA_** of a burst transaction. If the PHB was to attempt a compelled linkage for all beats within a burst write, there is a possibility that the transaction could be interrupted. The interruption would occur at a time past the latest qualified retry window and the PPC Slave would be unable to retry the transaction. Therefore, all burst write transactions are posted regardless of the write posting attribute within the associated map decoder register.

If the PPC Slave is servicing a posted write transaction and the PPC FIFO can accept the transaction, the assertion of **AACK_** and **TA_** occurs as soon as the PPC Slave decode logic settles out and the PPC bus protocol allows for the assertion. If the PPC FIFO is full, the PPC Slave holds the processor with wait states (**AACK_** will not be asserted) until there is room within the PPC FIFO to store the pending transaction.

The PPC Slave divides PPC command types into three categories: address only, write, and read. If a command type is an address only and the address presented at the time of the command is a valid PHB address, the PPC slave will respond immediately by asserting **AACK_**. The PHB will not respond to address only cycles where the address presented is not a PHB address. The response of the PPC Slave to command types is listed in [Table 2-1](#).

Table 2-1. PPC Slave Response Command Types

PPC Transfer Type	Transfer Encoding	Transaction
Clean Block	00000	Addr Only
Flush Block	00100	Addr Only
SYNC	01000	Addr Only
Kill Block	01100	Addr Only
EIEIO	10000	Addr Only

Table 2-1. PPC Slave Response Command Types (Continued)

PPC Transfer Type	Transfer Encoding	Transaction
ECOWX	10100	No Response
TLB Invalidate	11000	Addr Only
ECIWX	11100	No Response
LWARX	00001	Addr Only
STWCX	00101	Addr Only
TLBSYNC	01001	Addr Only
ICBI	01101	Addr Only
Reserved	1XX01	No Response
Write-with-flush	00010	Write
Write-with-kill	00110	Write
Read	01010	Read
Read-with-intent-to-modify	01110	Read
Write-with-flush-atomic	10010	Write
Reserved	10110	No Response
Read-atomic	11010	Read
Read-with-intent-to-modify-atomic	11110	Read
Reserved	00011	No Response
Reserved	00111	No Response
Read-with-no-intent-to-cache	01011	Read
Reserved	01111	No Response
Reserved	1xx11	No Response

PPC FIFO

A 64-bit by 8 entry FIFO (2 cache lines total) is used to hold data between the PPC Slave and the PCI Master to ensure that optimum data throughput is maintained. The same FIFO is used for both read and write transactions. A 46-bit by 4 entry FIFO is used to hold command information being passed between the PPC Slave and the PCI Master. If write posting has been enabled, then the maximum number of transactions that may be posted is limited by the abilities of either the data FIFO or the command FIFO.

For example, two burst transactions make the data FIFO the limiting factor for write posting. Four single beat transactions make the command FIFO the limiting factor. If either limit is exceeded, then any pending PPC transactions is delayed (*AACK_* and *TA_* are not asserted) until the PCI Master has completed a portion of the previously posted transactions and created some room within the command and/or data FIFOs.

The PHB does not support byte merging or byte collapsing. Each and every single beat transaction presented to the PPC Slave is presented to the PCI bus as a unique single beat transfer.

PPC Master

The PPC Master can transfer data either in 1-to-8 byte single beat transactions or 32 byte, four beat burst transactions. This limitation is strictly imposed by the PPC60x bus protocol. The PPC Master attempts to move data using burst transfers whenever possible. If a transaction starts on a non-cache line address, the PPC Master performs as many single beat transactions as needed until the next highest cache line boundary is reached. If a write transaction ends on a non-cache line boundary, then the PPC Master finishes the transaction with as many single beat transactions as needed to complete the transaction.

[Table 2-2](#) shows the relationship between the starting addresses and the PPC60x bus transaction types when write posting and read ahead are enabled.

Table 2-2. PPC Master Transaction Profiles and Starting Offsets

Start Offset (i.e. from 0x00,0x20,0x40,etc.)	Write Profile	Read Profile	Notes
0x...00 -> 0x...07	Burst @ 0x00 Burst @ 0x20	Burst @ 0x00 Burst @ 0x20	Most efficient
0x...08 -> 0x...0f	Single @ 0x08 Single @ 0x10 Single @ 0x18 Burst @ 0x20	Burst @ 0x00 Burst @ 0x20	Discard read beat 0x00
0x...10 -> 0x...17	Single @ 0x10 Single @ 0x18 Burst @ 0x20	Burst @ 0x00 Burst @ 0x20	Discard read beat 0x00 and 0x08
0x...18 -> 0x...1f	Single @ 0x18 Burst @ 0x20	Single @ 0x18 Burst @ 0x20	

While the PCI Slave is filling the PCI FIFO with write data, the PPC Master can be moving previously posted write data onto the PPC60x bus. In general, the PPC60x bus is running at a higher clock rate than the PCI bus, which means the PCI bus can transfer data at a continuous uninterrupted burst while the PPC60x bus transfers data in distributed multiple bursts. The PHB write posting mechanism has been tuned to create the most efficient possible data transfer between the two busses during typical operation. It is conceivable that some non-typical conditions could exist that would upset the default write post tuning of the PHB. For example, if a PPC60x master is excessively using PPC60x bus bandwidth, then the additional latency associated with obtaining ownership of the PPC60x bus might cause the PCI Slave to stall if the PCI FIFO gets full. If the PCI Slave is continuously stalling during write posted transactions, then further tuning might be needed. This can be accomplished by changing the WXFT (Write Any Fifo Threshold) field within the **PSATTx** registers to recharacterize PHB write posting mechanism. The FIFO

threshold should be lowered to anticipate any additional latencies incurred by the PPC Master on the PPC60x bus. [Table 2-3](#) summarizes the PHB available write posting options.

Table 2-3. PPC Master Write Posting Options

WXFT	WPEN	PPC60x Start	PPC60x Continuation
xx	0	FIFO = 1 dword	FIFO = 1 dword
00	1	FIFO >= 4 cache lines	FIFO >= 1 cache line
01	1	FIFO >= 3 cache lines	FIFO >= 1 cache line
10	1	FIFO >= 2 cache lines	FIFO >= 1 cache line
11	1	FIFO >= 1 cache lines	FIFO >= 1 cache line

The PPC Master has an optional read ahead mode controlled by the RAEN bit in the **PSATTx** registers that allows the PPC Master to prefetch data in bursts and store it in the PCI FIFO. The contents of the PCI FIFO is then used to satisfy the data requirements for the remainder of the PCI read transaction. The PHB read ahead mechanism is tuned for maximum efficiency during typical operation conditions. If excessive latencies are encountered on the PPC60x bus, it may be necessary to tune the read ahead mechanism to compensate for this. Additional tuning of the read-ahead function is controlled by the RXFT/RMFT (Read Any FIFO Threshold/Read Multiple FIFO Threshold) fields in the **PSATTx** registers. These fields can be used to characterize when the PPC Master continues reading ahead with respect to the PCI FIFO threshold. The FIFO threshold should be raised to anticipate any additional latencies incurred by the PPC Master on the PPC60x bus. [Table 2-4](#) summarizes the PHB available read ahead options.

Table 2-4. PPC Master Read Ahead Options

RXFT	RMFT	RAEN	PCI Command	Initial Read Size	Continuation	Subsequent Read Size
xx	xx	0	Read	1 cache line	PCI received data and FRAME_ asserted	1 cache line
			Read Line			

Table 2-4. PPC Master Read Ahead Options (Continued)

RXFT	RMFT	RAEN	PCI Command	Initial Read Size	Continuation	Subsequent Read Size
00	xx	1	Read	4 cache lines	FIFO <= 0 cache lines	FIFO >= 4 cache lines
			Read Line			
xx	00	x	Read Multiple			
01	xx	1	Read	4 cache lines	FIFO <= 1 cache line	FIFO >= 4 cache lines
			Read Line			
xx	01	x	Read Multiple			
10	xx	1	Read	4 cache lines	FIFO <= 2 cache lines	FIFO >= 4 cache lines
			Read Line			
xx	10	x	Read Multiple			
11	xx	1	Read	4 cache lines	FIFO <= 3 cache lines	FIFO >= 4 cache lines
			Read Line			
xx	11	x	Read Multiple			

Upon completion of a prefetched read transaction, any residual read data left within the PCI FIFO will be invalidated (discarded). The PHB does not have a mechanism for snooping the PPC60x bus for transactions associated with the prefetched read data within the PCI FIFO. Therefore, caution should be exercised when using the prefetch option within coherent memory space.

The PPC Master never performs prefetch reads beyond the address range mapped within the PCI Slave map decoders. As an example, assume PHB has been programmed to respond to PCI address range \$10000000 through \$1001FFFF with an offset of \$2000. The PPC Master performs its last read on the PPC60x bus at cache line address \$3001FFFC or word address \$3001FFF8.

The PPC60x bus transfer types generated by the PPC Master depend on the PCI command code and the INV/GBL bits in the **PSATTx** registers. The GBL bit determines whether or not the GBL_ signal is asserted for all portions of a transaction and is fully independent of the PCI command code and INV bit. The following table shows the relationship between the PCI command codes and the INV bit.

Table 2-5. PPC Master Transfer Types

PCI Command Code	INV	PPC Transfer Type	PPC Transfer Size	TT0-TT4
Memory Read Memory Read Multiple Memory Read Line	0	Read	Burst/Single Beat	01010
Memory Read Memory Read Multiple Memory Read Line	1	Read With Intent to Modify	Burst/Single Beat	01110
Memory Write Memory Write and Invalidate	x	Write with Kill	Burst	00110
Memory Write Memory Write and Invalidate	x	Write with Flush	Single Beat	00010

The PPC Master incorporates an optional operating mode called Bus Hog. When Bus Hog is enabled, the PPC Master continually requests the PPC bus for the entire duration of each PCI transfer. When Bus Hog is not enabled, the PPC Master structures its bus request actions according to the requirements of the FIFO. The Bug Hog mode was primarily designed to assist with system level debugging and is not intended for normal modes of operation. It is a brute force method of guaranteeing that all PCI to PPC60x transactions will be performed without any intervention by host CPU transactions. Caution should be exercised when using this mode since the over-generosity of bus ownership to the PPC Master can be detrimental to the host CPU's performance. The Bus Hog mode can be controlled by the XMBH bit within the GCSR. The default state for XMBH is disabled.

PPC Arbiter

The PHB has an internal PPC60x bus arbiter. The use of this arbiter is optional. If the internal arbiter is disabled, then the PHB must be allowed to participate in an externally implemented PPC60x arbitration mechanism. The selection of either internal or external PPC arbitration mode is made by sampling an RD line at the release of reset. Refer to the section titled *PHB Hardware Configuration* in this chapter for more information.

The PHB has been designed to accommodate up to four PPC60x bus masters, including itself (HAWK), two processors (CPU0/CPU1), and an external PPC60x master (EXTL). EXTL can be a L2 cache, a second bridge chip, etc. When the PPC Arbiter is disabled, PHB generates an external request and listen for an external grant for itself. It also listens to the other external grants to determine the PPC60x master identification field (XID) within the **GCSR**. When the PPC Arbiter is enabled, the PHB receives requests and issue grants for itself and for the other three bus masters. The XID field is determined by the PPC Arbiter.

The PPC60x arbitration signals and their functions are summarized in [Table 2-6](#).

Table 2-6. PPC Arbiter Pin Assignments

Pin Name	Pin Type	Reset	Internal Arbiter		External Arbiter	
			Direction	Function	Direction	Function
XARB0	BiDir	Tristate	Output	CPU0 Grant_	Input	CPU0 Grant_
XARB1	BiDir	Tristate	Output	CPU1 Grant_	Input	CPU1 Grant_
XARB2	BiDir	Tristate	Output	EXTL Grant_	Input	EXTL Grant_
XARB3	BiDir	Tristate	Input	CPU0 Request_	Output	HAWK Request_
XARB4	Input	--	Input	CPU1 Request_	Input	HAWK Grant_
XARB5	Input	--	Input	EXTL Request_	Input	--

While `RST_` is asserted, `XARB0` through `XARB4` is held in tri-state. If the internal arbiter mode is selected, then `XARB0` through `XARB3` is driven to an active state no more than ten clock periods after PHB has detected a rising edge on `RST_`. If the external arbiter mode has been selected, then `XARB4` is driven to an active state no more than ten clock periods after PHB has detected a rising edge on `RST_`.

The PPC Arbiter implements the following prioritization scheme:

- ❑ HAWK (Highest Priority)
- ❑ EXTL
- ❑ CPU_x
- ❑ CPU_y (Lowest Priority)

The PPC Arbiter is controlled by the **XARB** register within the PHB PPC60x register group.

The PPC Arbiter supports two prioritization schemes. Both schemes affect the priority of the CPU's with respect to each other. The CPU fixed option always places the priority of CPU0 over CPU1. The CPU rotating option gives priority on a rotational basis between CPU0 and CPU1. In all cases, the priority of the CPUs remains fixed with respect to the priority of HAWK and EXTL, with HAWK always having the highest priority of all.

The PPC Arbiter supports four parking modes. Parking is implemented only on the CPUs and is not implemented on either HAWK or EXTL. The parking options include parking on CPU0, parking on CPU1, parking on the last CPU, or parking disabled.

There are various system level debug functions provided by the PPC Arbiter. The PPC Arbiter has the optional ability to flatten the PPC60x bus pipeline. Flattening can be imposed uniquely on single beat reads, single beat writes, burst reads, and burst writes. It is possible to further qualify the ability to flatten based on whether there is a switch in masters or whether to flatten unconditionally for each transfer type. This is a debug function only and is not intended for normal operation.

PPC Parity

The PHB generates data parity whenever it is sourcing PPC data. This happens during PPC Master write cycles and PPC Slave read cycles. Valid data parity is presented when **DBB_** is asserted for PPC Master write cycles. Valid data parity is presented when **TA_** is asserted for PPC Slave read cycles.

The PHB checks data parity whenever it is sinking PPC data. This happens during PPC Master read cycles and PPC Slave write cycles. Data parity is considered valid anytime **TA_** has been asserted. If a data parity error is detected, then the PHB will latch address and attribute information within the **ESTAT**, **EADDR**, and **EATTR** registers, and an interrupt or machine check will be generated depending on the programming of the **ESTAT** register.

The PHB has a mechanism to purposely induce data parity errors for testability. The **DPE** field within the **ETEST** register can be used to purposely inject data parity errors on specific data parity lines. Data parity errors can only be injected during cycles where PHB is sourcing PPC data.

The PHB will generate address parity whenever it is sourcing a PPC address. This will happen for all PPC Master transactions. Valid address parity will be presented when **ABB_** is being asserted.

The PHB has a mechanism to purposely inject address parity errors for testability. The **APE** field within the **ETEST** register can be used to purposely inject address parity errors on specific address parity lines. Address parity errors can only be injected during cycles where PHB is sourcing a PPC address.

The PHB does not have the ability to check for address parity errors.

PPC Bus Timer

The PPC Timer allows the current bus master to recover from a potential lock-up condition caused when there is no response to a transfer request. The time-out length of the bus timer is determined by the **XBT** field within the **GCSR**.

The PPC Timer is designed to handle the case where an address tenure is not closed out by the assertion of **AACK_**. The PPC Timer will not handle the case where a data tenure is not closed out by the appropriate number of **TA_** assertions. The PPC Timer starts timing at the exact moment when the PPC60x bus pipeline has gone flat. In other words, the current address tenure is pending closure, all previous data tenures have completed, and the current pending data tenure awaiting closer is logically associated with the current address tenure.

The time-out function is aborted if **AACK_** is asserted anytime before the time-out period has passed. If the time-out period reaches expiration, then the PPC Timer asserts **AACK_** to close the faulty address tenure. If the transaction was an address only cycle, then no further action is taken. If the faulty transaction was a data transfer cycle, then the PPC Timer asserts the appropriate number of **TA_** signals to close the pending data tenure. Error information related to the faulty transaction will be latched within the **ESTAT**, **EADDR**, and **EATTR** registers, and an interrupt or machine check will be generated depending on the programming of the **ESTAT** register.

There are two exceptions that dynamically disable the PPC Timer. If the transaction is PCI bound, then the burden of closing out a transaction is left to the PCI bus. Note that a transaction to the PPC60x registers is considered to be PCI bound since the completion of these types of accesses depends on the ability of the PCI bus to empty PCI bound write posted data.

A second exception is the assertion of the **XTOCLM_** signal. This is an open collector (wired OR), bi-directional signal that is used by a bridge to indicate the burden of timing a transaction has been passed on to another bus domain. The PHB asserts this signal whenever it has determined that a transaction is being timed by its own PCI bus. Any other bridge devices listening to this signal understand that the current pending cycle should not

be subject to a time-out period. During non-PCI bound cycles, the PPC Timer aborts the timing of the transaction any time it detects XTOCLM_ has been asserted.

PCI Bus Interface

The PCI Interface of the PHB is designed to connect directly to a PCI Local Bus and supports Master and Target transactions within Memory Space, I/O Space, and Configuration Space.

PCI Address Mapping

The PHB provides three resources to the PCI:

- ❑ Configuration registers mapped into PCI Configuration space
- ❑ PPC bus address space mapped into PCI Memory space
- ❑ MPIC control registers mapped into either PCI I/O space or PCI Memory space

Configuration Registers

The PHB Configuration registers are mapped within PCI Configuration space according to how the system connects Hawk's DEVSEL_ pin. The PHB provides a configuration space that is fully compliant with the PCI Local Bus Specification 2.1 definition for configuration space. There are two base registers within the standard 64 byte header that are used to control the mapping of MPIC. One register is dedicated to mapping MPIC into PCI I/O space, and the other register is dedicated to mapping MPIC into PCI Memory space. The mapping of PPC address space is handled by device specific registers located above the 64 byte header. These control registers support a mapping scheme that is functionally similar to the PCI-to-PPC mapping scheme described in the section titled PPC Address Mapping.

PPC Bus Address Space

The PHB maps PPC address space into PCI Memory space using four programmable map decoders. The most significant 16 bits of the PCI address is compared with the address range of each map decoder, and if the address falls within the specified range, the access is passed on to the PPC bus. An example of this is shown in [Figure 2-4](#).

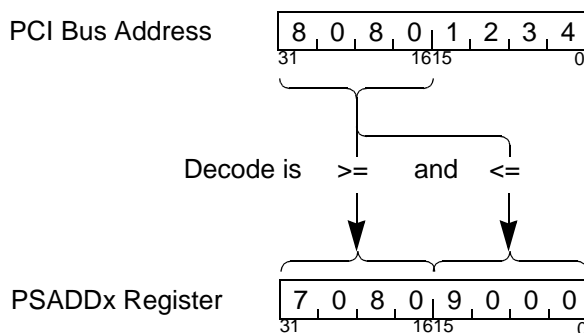


Figure 2-4. PCI to PPC Address Decoding

There are no limits imposed by the PHB on how large of an address space a map decoder can represent. There is a lower limit of a minimum of 64KB due to the resolution of the address compare logic.

For each map, there is an independent set of attributes. These attributes are used to enable read accesses, enable write accesses, enable write posting, and define the PPC bus transfer characteristics.

Each map decoder also includes a programmable 16-bit address offset. The offset is added to the 16 most significant bits of the PCI address, and the result is used as the PPC address. This offset allows devices to reside at any PPC address, independent of the PCI address map. An example of this is shown in [Figure 2-5](#).

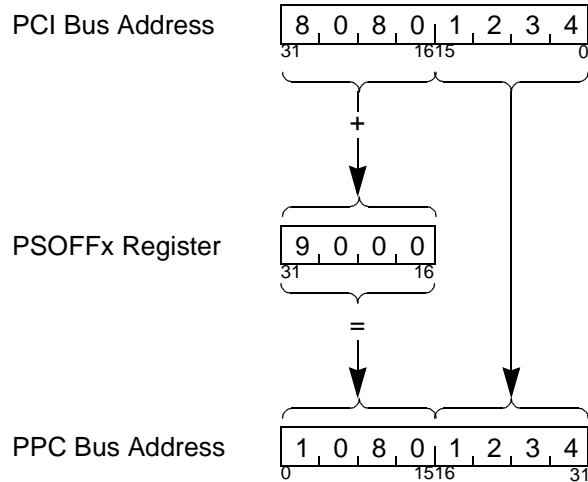


Figure 2-5. PCI to PPC Address Translation

All PHB address decoders are prioritized so that programming multiple decoders to respond to the same address is not a problem. When the PCI address falls into the range of more than one decoder, only the highest priority one will respond. The decoders are prioritized as shown below.

Decoder	Priority
PCI Slave 0	highest
PCI Slave 1	↓
PCI Slave 2	
PCI Slave 3	lowest

MPIC Control Registers

The MPIC control registers are located within either PCI Memory or PCI I/O space using traditional PCI defined base registers within the predefined 64-byte header. Refer to the section titled *Multi-Processor Interrupt Controller (MPIC)* for more information.

PCI Slave

The PCI Slave provides the control logic needed to interface the PCI bus to the PCI FIFO. The PCI Slave can accept either 32-bit or 64-bit transactions; however, it can only accept 32-bit addressing. There is no limit to the length of the transfer that the PCI Slave can handle. During posted write cycles, the PCI Slave will continue to accept write data until the PCI FIFO is full. If the PCI FIFO is full, the PCI Slave will hold off the master with wait states until there is more room in the FIFO. The PCI Slave will not initiate a disconnect. If the write transaction is compelled, the PCI Slave will hold off the master with wait states while each beat of data is being transferred. The PCI Slave issues TRDY_ only after the data transfer has successfully completed on the PPC bus. If a read transaction is being performed within an address space marked for prefetching, the PCI Slave (in conjunction with the PPC Master) attempts to read ahead far enough on the PPC bus to allow for an uninterrupted burst transaction on the PCI bus. Read transactions within address spaces marked for no prefetching receive a TRDY_ indication on the PCI bus only after one burst read has successfully completed on the PPC bus. Each read on the PPC bus is only started after the previous read is acknowledged on the PCI bus and there is an indication that the PCI Master wishes for more data to be transferred.

The following paragraphs identify some associations between the operation of the PCI slave and the PCI 2.1 Local Bus Specification requirements.

Command Types:

Table 2-7 shows which types of PCI cycles the slave has been designed to accept.

Table 2-7. PCI Slave Response Command Types

Command Type	Slave Response?
Interrupt Acknowledge	No
Special Cycle	No
I/O Read	Yes
I/O Write	Yes
Reserved	No
Reserved	No
Memory Read	Yes
Memory Write	Yes
Reserved	No
Reserved	No
Configuration Read	Yes
Configuration Write	Yes
Memory Read Multiple	Yes
Dual Address Cycle	No
Memory Read Line	Yes
Memory Write and Invalidate	Yes

Addressing

The PCI Slave will accept any combination of byte enables during read or write cycles. During write cycles, a discontinuity (*i.e.*, a 'hole') in the byte enables forces the PCI Slave to issue a disconnect. During all read cycles, the PCI Slave returns an entire word of data regardless of the byte enables. During I/O read cycles, the PCI Slave performs integrity checking of the byte enables against the address being presented and assert SERR* in the event there is an error.

The PCI Slave only honors the Linear Incrementing addressing mode. The PCI Slave performs a disconnect with data if any other mode of addressing is attempted.

Device Selection

The PCI slave will always respond valid decoded cycles as a medium responder.

Target Initiated Termination

The PCI Slave normally strives to complete transactions without issuing disconnects or retries. There are four exceptions where the PCI Slave performs a disconnect:

- ❑ All burst configuration cycles are terminated with a disconnect after one data beat has been transferred.
- ❑ All transactions that have a byte enable hole are disconnected.
- ❑ All transactions attempting to perform non-linear addressing mode are terminated with a disconnect after one data beat is transferred.
- ❑ A transaction that crosses from a valid PHB decode space to an invalid PHB decode space is disconnected. Note that this does not include crossing contiguous multiple map decoder space, in which case PHB does not issue a disconnect.

There are two exceptions where the PCI Slave performs a retry (disconnect with no data transfer):

- ❑ While within a lock sequence, the PCI Slave retries all non-locking masters.
- ❑ At the completion of a lock sequence between the times the two locks are released on the PCI bus and the PPC bus. All accesses to the PCI Slave, regardless of who is master is will be retried.

Delayed Transactions

The PCI Slave does not participate in the delayed transaction protocol.

Fast Back-to-Back Transactions

The PCI Slave supports both of the fundamental target requirements for fast back-to-back transactions. The PCI Slave meets the first criteria of being able to successfully track the state of the PCI bus without the existence of an IDLE state between transactions. The second criteria associate with signal turn-around timing is met by default since the PCI Slave functions as a medium responder.

Latency

The PCI Slave does not have any hardware mechanisms in place to guarantee that the initial and subsequent target latency requirements are met. Typically this is not a problem since the bandwidth of the PPC bus far exceeds the bandwidth of the PCI bus.

Exclusive Access

The PCI Slave fully supports the PCI lock function. From the perspective of the PPC bus, the PHB enables a lock to a single 32 byte cache line. When a cache line has been locked, the PHB snoops all transactions on the PPC bus. If a snoop hit happens, the PHB retries the transaction. Note that the retry is 'benign' since there is no follow-on transaction after the retry is asserted. The PHB continues to snoop and retry all accesses to the locked cache line until a valid 'unlock' is presented to the PHB and the last locked cache line transaction is successfully executed.

Note that the PHB locks the cache line that encompasses the actual address of the locked transaction. For example, a locked access to offset 0x28 creates a lock on the cache line starting at offset 0x20.

From the perspective of the PCI bus, the PCI Slave locks the entire resource. Any attempt by a non-locking master to access any PCI resource represented by the PHB results in the PCI Slave issuing a retry.

Parity

The PCI Slave supports address parity error detection, data parity generation, and data parity error detection.

Cache Support

The PCI Slave does not participate in the PCI caching protocol.

PCI FIFO

A 64-bit by 16 entry FIFO (4 cache lines total) is used to hold data between the PCI Slave and the PPC Master to ensure that optimum data throughput is maintained. The same FIFO is used for both read and write transactions. A 52-bit by 4 entry FIFO is used to hold command information being passed between the PCI Slave and the PPC Master. If write posting is enabled, then the maximum number of transactions that may be posted is limited by the abilities of either the data FIFO or the command FIFO. For example, one burst transaction, 16 double words long, would make the data FIFO the limiting factor for write posting. Four single beat transactions would make the command FIFO be the limiting factor. If either limit is exceeded then any pending PCI transactions are delayed (TRDY_ is not asserted) until the PPC Master has completed a portion of the previously posted transactions and created some room within the command and/or data FIFOs.

PCI Master

The PCI Master, in conjunction with the capabilities of the PPC Slave, attempts to move data in either single beat or four-beat (burst) transactions. The PCI Master supports 32-bit and 64-bit transactions in the following manner:

- ❑ All PPC60x single beat transactions, regardless of the byte count, are subdivided into one or two 32-bit transfers, depending on the alignment and the size of the transaction. This includes single beat 8-byte transactions.
- ❑ All PPC60x burst transactions are transferred in 64-bit mode if the PCI bus has 64-bit mode enabled. If at any time during the transaction the PCI target indicates it can not support 64-bit mode, the PCI Master continues to transfer the remaining data within that transaction in 32-bit mode.

The PCI Master can support Critical Word First (CWF) burst transfers. The PCI Master divides this transaction into two parts. The first part starts on the address presented with the CWF transfer request and continues up to the end of the current cache line. The second transfer starts at the beginning of the associated cache line and works its way up to (but not including) the word addressed by the CWF request.

It should be noted that even though the PCI Master can support burst transactions, a majority of the transaction types handled are single-beat transfers. Typically PCI space is not configured as cacheable, therefore burst transactions to PCI space would not naturally occur. It must be supported since it is conceivable that bursting could happen. For example, nothing prevents the processor from loading up a cache line with PCI write data and manually flushing the cache line.

The following paragraphs identify some associations between the operation of the PCI Master and the PCI 2.1 Local Bus Specification requirements.

Command Types

The PCI Command Codes generated by the PCI Master depend on the type of transaction being performed on the PPC bus. Please refer to the section on the *PPC Slave* earlier in this chapter for a further description of PPC bus read and PPC bus write. Table 2-8 summarizes the command types supported and how they are generated.

Table 2-8. PCI Master Command Codes

Entity Addressed	PPC Transfer Type	TBST*	MEM	C/BE	PCI Command
PIACK	Read	x	x	0000	Interrupt Acknowledge
CONADD/CONDAT	Write	x	x	0001	Special Cycle
PPC Mapped PCI Space	Read	x	0	0010	I/O Read
	Write	x	0	0011	I/O Write
-- Unsupported --				0100	Reserved
-- Unsupported --				0101	Reserved
PPC Mapped PCI Space	Read	1	1	0110	Memory Read
	Write	x	1	0111	Memory Write
-- Unsupported --				1000	Reserved
-- Unsupported --				1001	Reserved
CONADD/CONDAT	Read	x	x	1010	Configuration Read
CONADD/CONDAT	Write	x	x	1011	Configuration Write
-- Unsupported --				1100	Memory Read Multiple

Table 2-8. PCI Master Command Codes (Continued)

Entity Addressed	PPC Transfer Type	TBST*	MEM	C/BE	PCI Command
-- Unsupported --				1101	Dual Address Cycle
PPC Mapped PCI Space	Read	0	1	1110	Memory Read Line
-- Unsupported --				1111	Memory Write and Invalidate

Addressing

The PCI Master generates all memory transactions using the Linear Incrementing addressing mode.

Combining, Merging, and Collapsing

The PCI Master does not participate in any of these protocols.

Master Initiated Termination

The PCI Master can handle any defined method of target retry, target disconnect, or target abort. If the target responds with a retry, the PCI Master waits for the required two clock periods and attempts the transaction again. This process continues indefinitely until the transaction is completed, the transaction is aborted by the target, or if the transaction is aborted due to a PHB detected bridge lock. The same happens if the target responds with a disconnect and there is still data to be transferred.

If the PCI Master detects a target abort during a read, any untransferred read data is filled with ones. If the PCI Master detects a target abort during a write, any untransferred portions of data will be dropped. The same rule applies if the PCI Master generates a Master Abort cycle.

Arbitration

The PCI Master can support parking on the PCI bus. There are two cases where the PCI Master continuously asserts its request.

- ❑ If the PCI Master starts a transaction that is going to take more than one assertion of FRAME_, the PCI Master continuously asserts its request until the transaction has completed. For example, the PCI Master continuously asserts requests during the first part of a two part critical word first transaction.
- ❑ If at least one command is pending within the PPC FIFO.

The PCI Master always removes its request when it receives a disconnect or a retry.

There is a case where the PCI Master could assert a request but not actually perform a bus cycle. This may happen if the PCI Master is placed in the speculative request mode. Refer to the section titled *PCI/PPC Contention Handling* for more information. In no case will the PCI Master assert its request for more than 16 clocks without starting a transaction.

Fast Back-to-Back Transactions

The PCI Master does not generate fast back-to-back transactions.

Arbitration Latency

Because a bulk of the transactions are limited to single-beat transfers on PCI, the PCI Master does not implement a Master Latency Timer.

Exclusive Access

The PCI Master is not able to initiate exclusive access transactions.

Address/Data Stepping

The PCI Master does not participate in the Address/Data Stepping protocol.

Parity

The PCI Master supports address parity generation, data parity generation, and data parity error detection.

Cache Support

The PCI Master does not participate in the PCI caching protocol.

Generating PCI Cycles

There are four basic types of bus cycles that can be generated on the PCI bus:

- ❑ Memory and I/O
- ❑ Configuration
- ❑ Special Cycle
- ❑ Interrupt Acknowledge

Generating PCI Memory and I/O Cycles

Each programmable slave may be configured to generate PCI I/O or memory accesses through the MEM and IOM fields in its XSATTx register as shown below.

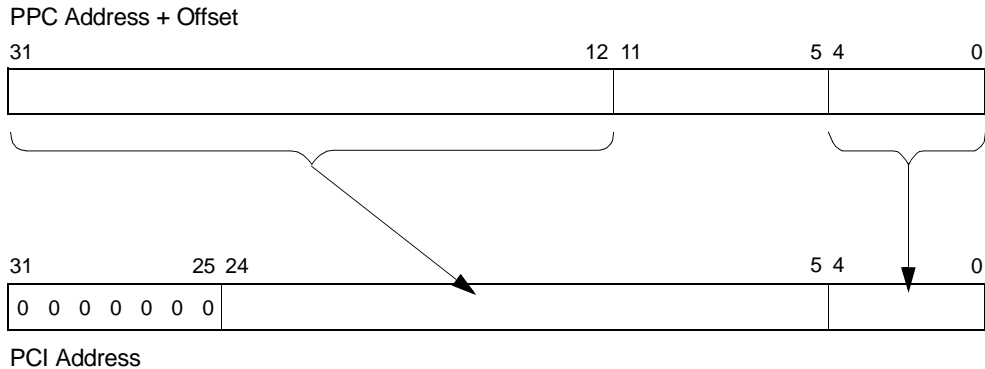
MEM	IOM	PCI Cycle Type
1	x	Memory
0	0	Contiguous I/O
0	1	Spread I/O

If the MEM bit is set, the PHB performs Memory addressing on the PCI bus. The PHB takes the PPC bus address, applies the offset specified in the XSOFFx register, and maps the result directly to the PCI bus.

The IBM CHRP specification describes two approaches for handling PCI I/O addressing: contiguous or spread address modes. When the MEM bit is cleared, the IOM bit is used to select between these two modes whenever a PCI I/O cycle is to be performed.

The PHB performs contiguous I/O addressing when the MEM bit is clear and the IOM bit is clear. The PHB takes the PPC address, apply the offset specified in the XSOFFx register, and map the result directly to PCI.

The PHB performs spread I/O addressing when the MEM bit is clear and the IOM bit is set. The PHB takes the PPC address, applies the offset specified in the MSOFFx register, and maps the result to PCI as shown in [Figure 2-6](#).



1915 9702

Figure 2-6. PCI Spread I/O Address Translation

Spread I/O addressing allows each PCI device's I/O registers to reside on a different PPC memory page, so device drivers can be protected from each other using memory page protection.

All I/O accesses must be performed within natural word boundaries. Any I/O access that is not contained within a natural word boundary results in unpredictable operation. For example, an I/O transfer of four bytes starting at address \$80000010 is considered a valid transfer. An I/O transfer of four bytes starting at address \$80000011 is considered an invalid transfer since it crosses the natural word boundary at address \$80000013/\$80000014.

Generating PCI Configuration Cycles

The PHB uses configuration Mechanism #1 as defined in the PCI Local Bus Specification 2.1 to generate configuration cycles. Please refer to this specification for a complete description of this function.

Configuration Mechanism #1 uses an address register/data register format. Performing a configuration access is a two step process. The first step is to place the address of the configuration cycle within the CONFIG_ADDRESS register. Note that this action does not generate any cycles on the PCI bus.

The second step is to either read or write configuration data into the CONFIG_DATA register. If the CONFIG_ADDRESS register is set up correctly, the PHB will pass this access on to the PCI bus as a configuration cycle.

The addresses of the CONFIG_ADDRESS and CONFIG_DATA registers are actually embedded within PCI I/O space. If the CONFIG_ADDRESS register has been set incorrectly or the access to either the CONFIG_ADDRESS or CONFIG_DATA register is not 1, 2, or 4 bytes wide, the PHB will pass the access on to PCI as a normal I/O Space transfer.

The CONFIG_ADDRESS register is located at offset \$CF8 from the bottom of PCI I/O space. The CONFIG_DATA register is located at offset \$CFC from the bottom of PCI I/O space. The PHB address decode logic has been designed such that XSADD3 and XSOFF3 must be used for mapping to PCI Configuration (consequently I/O) space. The XSADD3/XSOFF3 register group is initialized at reset to allow PCI I/O access starting at address \$80000000. The powerup location (Little Endian disabled) of the CONFIG_ADDRESS register is \$80000CF8, and the CONFIG_DATA register is located at \$80000CFC.

The CONFIG_ADDRESS register must be prefilled with four fields: the Register Number, the Function Number, the Device Number, and the Bus Number.

The Register Number and the Function Number get passed along to the PCI bus as a portion of the lower address bits.

When performing a configuration cycle, the PHB uses the upper 20 address bits as IDSEL lines. During the address phase of a configuration cycle, only one of the upper address bits will be set.

The device that has its IDSEL connected to the address bit being asserted is selected for a configuration cycle. The PHB decodes the Device Number to determine which of the upper address lines to assert. The decoding of the five-bit Device Number is show as follows:

Device Number	Address Bit
00000	AD31
00001 - 01010	All Zeros
01011	AD11
01100	AD12
(etc.)	(etc.)
11101	AD29
11110	AD30
11111	All Zeros

The Bus Number determines which bus is the target for the configuration read cycle. The PHB will always host PCI bus #0. Accesses that are to be performed on the PCI bus connected to the PHB must have zero programmed into the Bus Number. If the configuration access is targeted for another PCI bus, then that bus number should be programmed into the Bus Number field. The PHB will detect a non-zero field and convert the transaction to a Type 1 Configuration cycle.

Generating PCI Special Cycles

The PHB supports the method stated in PCI Local Bus Specification 2.1 using Configuration Mechanism #1 to generate special cycles. To prime the PHB for a special cycle, the host processor must write a 32 bit value to the CONFIG_ADDRESS register. The contents of the write are defined later in this chapter under the CONFIG_ADDRESS register definition. After the write to CONFIG_ADDRESS has been accomplished, the next write to the CONFIG_DATA register causes the PHB to generate a special cycle on the PCI bus. The write data is driven onto AD[31:0] during the special cycle's data phase.

Generating PCI Interrupt Acknowledge Cycles

Performing a read from the PIACK register will initiate a single PCI Interrupt Acknowledge cycle. Any single byte or combination of bytes may be read from, and the actual byte enable pattern used during the read will be passed on to the PCI bus. Upon completion of the PCI interrupt acknowledge cycle, the PHB will present the resulting vector information obtained from the PCI bus as read data.

PCI Arbiter

The Hawk's internal PCI arbiter supports up to 8 PCI masters. This includes Hawk and 7 other external PCI masters. The arbiter can be configured to be enabled or disabled at reset time by strapping the rd[9] bit either high for enabled or low for disabled. [Table 2-9](#) describes the pins and its function for both modes.

Table 2-9. PCI Arbiter Pin Description

Pin Name	Pin Type	Reset	Internal Arbiter		External Arbiter	
			Direction	Function	Direction	Function
PARBI0	Input	--	Input	ext req0_	input	HAWK gnt_
PARBI1	Input	--	Input	ext req1_	Input	NA
PARBI2	Input	--	Input	ext req2_	Input	NA
PARBI3	Input	--	Input	ext_req3_	Input	NA
PARBI4	Input	--	Input	ext_req4_	Input	NA
PARBI5	Input	--	Input	ext req5_	Input	NA
PARBI6	Input	--	Input	ext req6_	Input	NA
PARBO0	Output	Tristate	Output	ext gnt0_	Output	HAWK req_
PARBO1	Output	Tristate	Output	ext gnt1_	Output	NA
PARBO2	Output	Tristate	Output	ext gnt2_	Output	NA
PARBO3	Output	Tristate	Output	ext gnt3_	Output	NA
PARBO4	Output	Tristate	Output	ext gnt4_	Output	NA
PARBO5	Output	Tristate	Output	ext gnt5_	Output	NA
PARBO6	Output	Tristate	Output	ext gnt6_	Output	NA

The Hawk's PCI arbiter has various programming options. It supports 3 different priority schemes: fixed, round robin, and mixed mode. It also allows various levels of reprioritization programming options within fixed and mixed modes. Parking can be programmed to any of the requestors, the last requestor or none. A special bit is added to hold grant asserted for an agent that initiates a lock cycle. Once a lock cycle is detected, the grant is held asserted until the PCI LOCK_ pin is released. This feature works only when the "POL" bit is enabled.

The priority scheme can be programmed by writing the "PRI" field in the PCI Arbiter control register. The default setting for priority scheme is fixed mode. The Fixed mode holds each requestor at a fixed level in its hierarchy. The levels of priority for each requestor are programmable by writing the "HEIR" field in the PCI Arbiter control register. [Table 2-10](#) describes all available settings for the "HEIR" field in fixed mode.

Table 2-10. Fixed Mode Priority Level Setting

HEIR Setting	Priority Levels							
	Highest				Lowest			
000	PARB6	PARB5	PARB4	PARB3	PARB2	PARB1	PARB0	HAWK
001	HAWK	PARB6	PARB5	PARB4	PARB3	PARB2	PARB1	PARB0
010	PARB0	HAWK	PARB6	PARB5	PARB4	PARB3	PARB2	PARB1
011	PARB1	PARB0	HAWK	PARB6	PARB5	PARB4	PARB3	PARB2
100	PARB2	PARB1	PARB0	HAWK	PARB6	PARB5	PARB4	PARB3
101	PARB3	PARB2	PARB1	PARB0	HAWK	PARB6	PARB5	PARB4
110	PARB4	PARB3	PARB2	PARB1	PARB0	HAWK	PARB6	PARB5
111	PARB5	PARB4	PARB3	PARB2	PARB1	PARB0	HAWK	PARB6

- Notes**
1. "000" is the default setting in fixed mode.
 2. The HEIR setting only covers a small subset of all possible combinations. It is the responsibility of the system designer to connect the request/grant pair in a manner most beneficial to their design goals.

When the arbiter is programmed for round robin priority mode, the arbiter maintains fairness and provides equal opportunity to the requestors by rotating its grants. The contents in “HEIR” field are “don’t cares” when operated in this mode.

When the arbiter is programmed for mixed mode, the 8 requestors are divided up into 4 groups and each group is occupied by 2 requestors. PARB6 and PARB5 are defined in group 1; PARB4 and PARB3 are defined in group 2; PARB2 and PARB1 are defined in group 3; PARB0 and HAWK are defined in group 4. Arbitration is set for round robin mode between the 2 requestors within each group and set for fixed mode between the 4 groups. The levels of priority for each group are programmable by writing the “HEIR” field in the PCI Arbiter control register. [Table 2-11](#) describes all available setting for the “HEIR” field in mixed mode.

Table 2-11. Mixed Mode Priority Level Setting

HEIR Setting	PRIORITY Levels			
	Highest		Lowest	
000	group 1	group 2	group 3	group 4
	PARB6 & 5	PARB4 & 3	PARB2 & 1	PARB0 & HAWK
001	group 4	group 1	group 2	group 3
	PARB0 & HAWK	PARB6 & 5	PARB4 & 3	PARB2 & 1
010	group 3	group 4	group 1	group 2
	PARB2 & 1	PARB0 & HAWK	PARB6 & 5	PARB4 & 3
011	group 2	group 3	group 4	group 1
	PARB4 & 3	PARB2 & 1	PARB0 & HAWK	PARB6 & 5

- Notes**
1. “000” is the default setting in mixed mode.
 2. The HEIR setting only covers a small subset of all possible combinations and the requestors within each group is fixed and cannot be interchanged with other groups. It is the responsibility of the system designer to connect the request/grant pair in a manner most beneficial to their design goals.
 3. All other combinations in the HEIR setting not specified in the table are invalid and should not be used.

Arbitration parking is programmable by writing to the “PRK” field of the PCI arbiter control register. Parking can be programmed for any of the requestors, last requestor or none. The default setting for parking is “Park on HAWK”. [Table 2-12](#) describes all available settings for the “PRK” field.

Table 2-12. Arbitration Setting

PRK setting	Function
0000	Park on last requestor
0001	Park on PARB6
0010	Park on PARB5
0011	Park on PARB4
0100	Park on PARB3
0101	Park on PARB2
0110	Park on PARB1
0111	Park on PARB0
1000	Park on HAWK
1111	Parking disabled

- Notes**
1. “1000” is the default setting.
 2. Parking disabled is a test mode only and should not be used, since no one will drive the PCI bus when in an idle state.
 3. All other combinations in the PRK setting not specified in the table are invalid and should not be used.

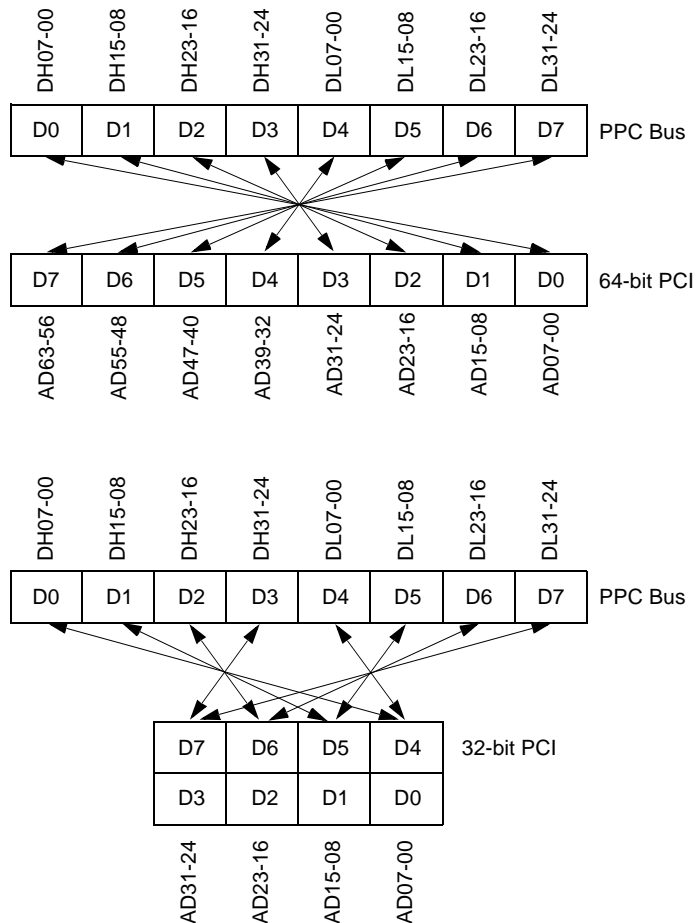
A special function is added to the PCI arbiter to hold the grant asserted through a lock cycle. When the “POL” bit in the PCI arbiter control register is set, the grant associated with the agent initiating the lock cycle will be held asserted until the lock cycle is complete. If this bit is clear, the arbiter does not distinguish between lock and non-lock cycle.

Endian Conversion

The PHB supports both big- and little-endian data formats. Since the PCI bus is inherently little-endian, conversion is necessary if all PPC devices are configured for big-endian operation. The PHB may be programmed to perform the endian conversion described below.

When PPC Devices are Big-Endian

When all PPC devices are operating in big-endian mode, all data to/from the PCI bus must be swapped such that the PCI bus looks big endian from the PPC bus’s perspective. This association is true regardless of whether the transaction originates on the PCI bus or the PPC bus. This is shown in [Figure 2-7](#).



1916 9610

Figure 2-7. Big-to-Little-Endian Data Swap

When PPC Devices are Little Endian

When all PPC devices are operating in little-endian mode, the originating address is modified to remove the exclusive-ORing applied by PPC60x processors. Note that no data swapping is performed.

Address modification happens to the originating address regardless of whether the transaction originates from the PCI bus or the PPC bus. The three low order address bits are exclusive-ORed with a three-bit value that depends on the length of the operand, as shown in [Table 2-13](#).

Table 2-13. Address Modification for Little Endian Transfers

Data Length (bytes)	Address Modification
1	XOR with 111
2	XOR with 110
4	XOR with 100
8	no change

Note The only legal data lengths supported in Little-Endian mode are 1, 2, 4, or 8-byte aligned transfers.

Since this method has some difficulties dealing with unaligned PCI-originated transfers, the PPC master of the PHB will break up all unaligned PCI transfers into multiple aligned transfers into multiple aligned transfers on the PPC bus.

PHB Registers

The PHB registers are not sensitive to changes in Big-Endian and Little-Endian mode. With respect to the PPC bus (but not always the address internal to the processor), the PPC registers are always represented in Big-Endian mode. This means that the processor's internal view of the PPC registers appears different depending on which mode the processor operates.

With respect to the PCI bus, the configuration registers are always represented in Little-Endian mode.

The CONFIG_ADDRESS and CONFIG_DATA registers are actually represented in PCI space to the processor and are subject to the Endian functions. For example, the powerup location of the CONFIG_ADDRESS register with respect to the PPC bus is \$80000cf8 when the PHB is in Big-Endian mode. When the PHB is switched to Little-Endian mode, the CONFIG_ADDRESS register with respect to the PPC bus is \$80000cfc. Note that in both cases the address generated internal to the processor will be \$80000cf8.

The contents of the CONFIG_ADDRESS register are not subject to the Endian function.

The data associated with PIACK accesses is subject to the Endian swapping function. The address of a PIACK cycle is undefined; therefore, address modification during Little-Endian mode is not an issue.

Error Handling

The PHB is capable of detecting and reporting the following errors to one or more PPC masters:

- ❑ XBTO - PPC address bus time-out
- ❑ XDPE - PPC data parity error
- ❑ PSMA - PCI master signalled master abort
- ❑ PRTA - PCI master received target abort
- ❑ PPER - PCI parity error
- ❑ PSER - PCI system error

Each of these error conditions will cause an error status bit to be set in the PPC Error Status Register (ESTAT). If a second error is detected while any of the error bits is set, the OVFL bit is asserted, but none of the error bits are changed. Each bit in the ESTAT may be cleared by writing a 1 to it; writing a 0 to it has no effect. New error bits may be set only when all previous error bits have been cleared.

When any bit in the ESTAT is set, the PHB will attempt to latch as much information as possible about the error in the PPC Error Address (EADDR) and Attribute Registers (EATTR). Information is saved as follows:

Error Status	Error Address and Attributes
XBTO	From PPC bus
XDPE	From PPC bus
PRTA	From PCI bus
PSMA	From PCI bus
PPER	Invalid
PSER	Invalid

Each ESTAT error bit may be programmed to generate a machine check and/or a standard interrupt. The error response is programmed through the PPC Error Enable Register (EENAB) on a source by source basis. When a machine check is enabled, either the XID field in the EATTR Register or the DFLT bit in the EENAB Register determines the master to which the machine check is directed. For errors in which the master who originated the transaction can be determined, the XID field is used. For errors not associated with a particular PPC master, or associated with masters other than processor 0,1 or 2, the DFLT bit is used. One example of an error condition which cannot be associated with a particular PPC master would be a PCI system error.

Watchdog Timers

PHB features two watchdog timers called Watchdog Timer 1 (WDT1) and Watchdog Timer 2 (WDT2). Although both timers are functionally equivalent, each timer operates completely independent of each other. WDT1 and WDT2 are initialized at reset to a count value of 8 seconds and 16 seconds respectively. The timers are designed to be reloaded by software at any time.

When not being loaded, the timer will continuously decrement itself until either reloaded by software or a count of zero is reached. If a timer reaches a count of zero, an output signal will be asserted and the count will remain at zero until reloaded by software or PHB reset is asserted. External logic can use the output signals of the timers to generate interrupts, machine checks, etc.

Each timer is composed of a prescaler and a counter. The prescaler determines the resolution of the timer, and is programmable to any binary value between 1 microseconds and 32,768 microseconds. The counter counts in the units provided by the prescaler. For example, the watchdog timer would reach a count of zero within 24 microseconds if the prescaler was programmed to 2 microseconds and the counter was programmed to 12.

The watchdog timers are controlled by registers mapped within the PPC control register space. Each timer has a **WDTxCNTL** register and a **WDTxSTAT** register. The **WDTxCNTL** register can be used to start or stop the timer, write a new reload value into the timer, or cause the timer to initialize itself to a previously written reload value. The **WDTxSTAT** register is used to read the instantaneous count value of the watchdog timer.

Programming of the Watchdog Timers is performed through the **WDTxCNTL** register and is a two step process.

- Step 1 is to ‘arm’ the **WDTxCNTL** register by writing **PATTERN_1** into the **KEY** field. Only the **KEY** byte lane may be selected during this process. The **WDTxCNTL** register will not arm itself if any of the other byte lanes are selected or the **KEY** field is written with any other value than **PATTERN_1**. The operation of the timer itself remains unaffected by this write.
- Step 2 is to write the new programming information to the **WDTxCNTL** register. The **KEY** field byte lane must be selected and must be written with **PATTERN_2** for the write to take affect. The effects on the **WDTxCNTL** register depend on the byte lanes that are written to during step 2 and are shown in Table 2-14.

Table 2-14. WDTxCNTL Programming

Byte Lane Selection				Results			
KEY	ENAB /RES	RELOAD		WDT		WDTxCNTL Register	
0:7	8:15	16:23	24:31	Prescaler/ Enable	Counter	RES/ENAB	RELOAD
No	x	x	x	No Change	No Change	No Change	No Change
Yes	No	x	x	Update from RES/ENAB	Update from RELOAD	No Change	No Change
Yes	Yes	No	x	Update from data bus	Update from RELOAD	Update from data bus	No Change
Yes	Yes	x	No	Update from data bus	Update from RELOAD	Update from data bus	No Change
Yes	Yes	Yes	Yes	Update from data bus	Update from data bus	Update from data bus	Update from data bus

The **WDTxCNTL** register will always become unarmed after the second write regardless of byte lane selection. Reads may be performed at any time from the **WDTxCNTL** register and will not affect the write arming sequence. The following example displays the PPCBug commands, which arm, the disarm, the Watchdog timer 2.


```

PPC1-Bug>md feff0000
FEFF0000 10574801 00030000 00A0FFF6 00000000 .W.....
FEFF0010 000000BE 00000000 00000000 00000000 .....
PPC1-Bug>md feff0060
FEFF0060 000FFFFFF 000FFFFFF 000FFFFFF 000FFFFFF .....
FEFF0070 03FE0000 00000000 00000000 FFFFFFFF .....
PPC1-Bug>mw feff0068 55;b
Effective address: FEFF0068
Effective data : 55
PPC1-Bug>md feff0060
FEFF0060 000FFFFFF 000FFFFFF 004FFFFFF 000FFFFFF .....O.....
FEFF0070 03FE0000 00000000 00000000 FFFFFFFE .....
PPC1-Bug>mw feff0068 aa0f5555
Effective address: FEFF0068
Effective data: : AA0F5555
PPC1-Bug>md feff0060
FEFF0060 000FFFFFF 000FFFFFF 000F5555 00005555 .....UU..UU...
FEFF0070 03FE0000 00000000 00000000 FFFFFFFE .....
PPC1-Bug>

```

PCI/PPC Contention Handling

The PHB has a mechanism that detects when there is a possible resource contention problem (i.e., deadlock) as a result of overlapping PPC and PCI initiated transactions. The PPC Slave, PCI Slave, and PCI Master functions contain the logic needed to implement this feature.

The PCI Slave and the PPC Slave contribute to this mechanism in the following manner. Each slave function will issue a stall signal to the PCI Master anytime it is currently processing a transaction that must have control of the opposing bus before the transaction can be completed. The events that activate this signal are:

- ❑ Read cycle with no read data in the FIFO
- ❑ Non-posted write cycle
- ❑ Posted write cycle and FIFO full

A simultaneous indication of a stall from both slaves means that a bridge lock has happened. To resolve this, one of the slaves must back out of its currently pending transaction. This will allow the other stalled slave to proceed with its transaction. When the PCI Master detects bridge lock, it will always signal the PPC Slave to take actions to resolve the bridge lock.

If the PPC bus is currently supporting a read cycle of any type, the PPC Slave will terminate the pending cycle with a retry. Note that if the read cycle is across a mod-4 address boundary (i.e. from address 0x...02, 3 bytes), it is possible that a portion of the read could have been completed before the stall condition was detected. The previously read data will be discarded and the current transaction will be retried.

If the PPC bus is currently supporting a posted write transaction, the transaction will be allowed to complete since this type of transaction is guaranteed completion. If the PPC bus is currently supporting a non-posted write transaction, the transaction will be terminated with a retry. Note that a mod-4 non-posted write transaction could be interrupted between write cycles, and thereby results in a partially completed write cycle. It is recommended that write cycles to write-sensitive, non-posted locations be performed on mod-4 address boundaries.

The PCI Master must make the determination to perform the resolution function since it must make some decisions on possibly removing a currently pending command from the PPC FIFO.

There are some performance issues related to bridge lock resolution. PHB offers two mechanism that allow fine tuning of the bridge lock resolution function.

Programmable Lock Resolution

Consider the scenario where the PPC Slave is hosting a read cycle and the PCI Slave is hosting a posted write transaction. If both transactions happen at roughly the same time, then the PPC Slave will hold off its transaction until the PCI Slave can fill the PCI FIFO with write posted data. Once this happens, both slaves will be stalled and a bridge lock resolution cycle will happen. The effect of this was to make the PPC Slave waste PPC bus bandwidth. In addition, a full PCI FIFO will cause the PCI Slave to start issuing wait states to the PCI bus.

From the perspective of the PCI bus, a better solution would be to select a PCI FIFO threshold that will allow the bridge lock resolution cycle to happen early enough to keep the PCI FIFO from getting filled. A similar case exists with regard to PCI read cycles. Having the bridge lock resolution associated with a particular PCI FIFO threshold would allow the PPC Master to get an early enough start at prefetching read data to keep the PCI Slave from starving for read data.

From the perspective of the PPC bus, a selective FIFO threshold will make the PPC Slave release the PPC bus at an earlier time thereby reducing wasted PPC bus bandwidth. PHB offers an option to have the PPC Slave remove a stalled transaction immediately upon detecting any PCI Slave activity. This option would help in the case where distributing PPC60x bus bandwidth between multiple masters is of the utmost importance.

The PHB is tuned to provide the most efficient solution for bridge lock resolution under normal operating conditions. If further fine tuning is desired, the WLRT/RLRT (Write Lock Resolution Threshold/Read Lock Resolution Threshold) fields within the **HCSR** can be adjusted accordingly. Note that the FIFO full option exists mainly to remain architecturally backwards compatible with previous bridge designs.

Speculative PCI Request

There is a case where the processor could get starved for PCI read data while the PCI Slave is hosting multiple PPC60x bound write cycles. While attempting to perform a read from PCI space, the processor would continually get retried as a result of bridge lock resolution.

Between PCI writes, the PPC Master will be taking PPC60x bus bandwidth trying to empty write posted data, which will further hamper the ability of the processor to complete its read transaction.

PHB offers an optional speculative PCI request mode that helps the processor complete read cycles from PCI space. If a bridge lock resolution cycle happens when the PPC Slave is hosting a compelled cycle, the PCI Master will speculatively assert a request on the PCI bus. Sometime later when the processor comes back and retries the compelled cycle, the results of the PCI Master holding will increase the chance of the processor successfully completing its cycle.

PCI speculative requesting will only be effective if the PCI arbiter will at least some times consider the PHB to be a higher priority master than the master performing the PPC60x bound write cycles. The PCI Master obeys the PCI specification for benign requests and will unconditionally remove a speculative request after 16 clocks.

The PHB considers the speculative PCI request mode to be the default mode of operation. If this is not desired, then the speculative PCI request mode can be disabled by changing the SPRQ bit in the **HCSR**.

Transaction Ordering

All transactions will be completed on the destination bus in the same order that they are completed on the originating bus. A read or a compelled write transaction will force all previously issued write posted transactions to be flushed from the FIFO. All write posted transfers will be completed before a read or compelled write begins to ensure that all transfers are completed in the order issued.

All PCI Configuration cycles intended for internal PHB registers will also be delayed if PHB is busy so that control bits which may affect write postings do not change until all write posted transactions have completed. For the same reason all PPC60x write posted transfers will also be completed before any access to the PHB PPC registers begins.

The PCI Local Bus Specification 2.1 states that posted write buffers in both directions must be flushed before completing a read in either direction.

PHB supports this by providing two optional FIFO flushing options. The XFBR (PPC60x Flush Before Read) bit within the **GCSR** register controls the flushing of PCI write posted data when performing PPC-originated read transactions. The PFBR (PCI Flush Before Read) bit within the **GCSR** register controls the flushing of PPC write posted data when performing PCI-originated read transactions. The PFBR and XFBR functions are completely independent of each other; however, both functions must be enabled to guarantee full compliance with PCI Local Bus Specification 2.1.

When the XFBR bit is set, the PHB will handle read transactions originating from the PPC bus in the following manner:

- ❑ Write posted transactions originating from the processor bus are flushed by the nature of the FIFO architecture. The PHB will hold the processor with wait states until the PCI bound FIFO is empty.
- ❑ Write posted transactions originated from the PCI bus are flushed whenever the PCI slave has accepted a write-posted transaction and the transaction has not completed on the PPC bus.

The PPC Slave address decode logic settles out several clocks after the assertion of TS_, at which time the PPC Slave can determine the transaction type. If it is a read and XFBR is enabled, the PPC Slave will look at the ps_fbrabt signal. If this signal is active, the PPC Slave will retry the processor.

When the PFBR bit is set, PHB will handle read transactions originating from the PCI bus in the following manner:

- ❑ Write posted transactions originating from the PCI bus are flushed by the nature of the FIFO architecture. The PHB will hold the PCI Master with wait states until the PPC bound FIFO is empty.
- ❑ Write posted transactions originated from the PPC60x bus are flushed in the following manner. The PPC Slave will set a signal called xs_fbrabt anytime it has committed to performing a posted write transaction. This signal will remain asserted until the PCI bound FIFO count has reached zero.

The PCI Slave decode logic settles out several clocks after the assertion of FRAME_, at which time the PCI Slave can determine the transaction type. If it is a read and PFBR is enabled, the PCI Slave will look at the xs_fbrabt signal. If this signal is active, the PCI Slave will retry the PCI Master.

PHB Hardware Configuration

Hawk has the ability to perform custom hardware configuration to accommodate different system requirements. The PHB has several functions that may be optionally enabled or disabled using passive hardware external to Hawk. The selection process occurs at the first rising

edge of CLK after RST_ has been released. All of the sampled pins are cascaded with several layers of registers to eliminate problems with hold time.

Table 2-15 summarizes the hardware configuration options that relate to the PHB.

Table 2-15. PHB Hardware Configuration

Function	Sample Pin(s)	Sampled State	Meaning
PCI 64-bit Enable	REQ64_	0	64-bit PCI Bus
		1	32-bit PCI Bus
PPC Register Base	RD[5]	0	Register Base = \$FEFF0000
		1	Register Base = \$FEFE0000
MPIC Interrupt Type	RD[7]	0	Parallel Interrupts
		1	Serial Interrupts
PPC Arbiter Mode	RD[8]	0	Disabled
		1	Enabled
PCI Arbiter Mode	RD[9]	0	Disabled
		1	Enabled
PPC:PCI Clock Ratio	RD[10:12]	000	Reserved
		100	1:1
		010	2:1
		110	3:1
		001	3:2
		101	Reserved
		011	5:2
		111	Reserved

Multi-Processor Interrupt Controller (MPIC)

The MPIC is a multi-processor structured intelligent interrupt controller.

MPIC Features:

- ❑ MPIC programming model
- ❑ Supports two processors
- ❑ Supports 16 external interrupts
- ❑ Supports 15 programmable Interrupt & Processor Task priority levels
- ❑ Supports the connection of an external 8259 for ISA/AT compatibility
- ❑ Distributed interrupt delivery for external I/O interrupts
- ❑ Direct/Multicast interrupt delivery for Interprocessor and timer interrupts
- ❑ Four Interprocessor Interrupt sources
- ❑ Four timers
- ❑ Processor initialization control

Architecture

The PCI Slave of the PHB implements two address decoders for placing the MPIC registers in PCI IO or PCI Memory space. Access to these registers requires PPC and PCI bus mastership. These accesses include interrupt and timer initialization and interrupt vector reads.

The MPIC receives interrupt inputs from 16 external sources, four interprocessor sources, four timer sources, and one Hawk internal error interrupt source. The externally sourced interrupts 1 through 15 have two modes of activation; low level or active high positive edge. External interrupt 0 can be either level or edge activated with either polarity. The Hawk internal error interrupt request is an active low level sensitive interrupt. The Interprocessor and timers interrupts are event activated.

If the OPIC bit (refer to the *General Control-Status/Feature Registers* section for more information) is enabled, the Hawk detected errors will be passed on to MPIC. If the OPIC bit is disabled, Hawk detected errors are passed directly to the processor 0 interrupt pin.

External Interrupt Interface

The external interrupt interface functions as either a parallel or a serial interface depending on the EINTT bit in the MPIC Global Configuration Register. If this bit is set, MPIC is in serial mode. Otherwise, MPIC operates in the parallel mode.

In serial mode, all 16 external interrupts are serially scanned into MPIC using the SI_STA and SI_DAT pins as shown in [Figure 2-8](#).

In parallel mode, 16 external signal pins are used as interrupt inputs (interrupts 0 through 15).

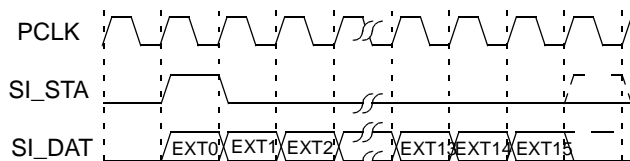


Figure 2-8. Serial Mode Interrupt Scan

Using PCLK as a reference, external logic will pulse SI_STA one clock period indicating the beginning of an interrupt scan period. On the same clock period that SI_STA is asserted, external logic will feed the state of EXT0 on the SI_DAT pin. External logic will continue to sequentially place EXT1 through EXT15 on SI_DAT during the next 15 clock periods. This process may be repeated at any rate, with the fastest possible next assertion of SI_STA on the clock following the sampling of EXT15. Each scan process must always scan exactly 16 external interrupts.

CSR's Readability

Unless explicitly specified, all registers are readable and return the last value written. The exceptions are the IPI dispatch registers and the EOI registers which return zeros on reads, the interrupt source ACT bit which returns current interrupt source status, the interrupt acknowledge register, which returns the vector of the highest priority interrupt which is currently pending, and reserved bits which returns zeros. The interrupt acknowledge register is also the only register which exhibits any read side-effects.

Interrupt Source Priority

Each interrupt source is assigned a priority value in the range from 0 to 15 where 15 is the highest. In order for delivery of an interrupt to take place, the priority of the source must be greater than that of the destination processor. Therefore, setting a source priority to zero inhibits that interrupt.

Processor's Current Task Priority

Each processor has a task priority register which is set by system software to indicate the relative importance of the task running on that processor. The processor will not receive interrupts with a priority level equal to or lower than its current task priority. Therefore, setting the current task priority to 15 prohibits the delivery of all interrupts to the associated processor.

Nesting of Interrupt Events

A processor is guaranteed never to have an in service interrupt preempted by an equal or lower priority source. An interrupt is considered to be in service from the time its vector is returned during an interrupt acknowledge cycle until an EOI (End of Interrupt) is received for that interrupt. The EOI cycle indicates the end of processing for the highest priority in service interrupt.

Spurious Vector Generation

Under certain circumstances the MPIC will not have a valid vector to return to the processor during an interrupt acknowledge cycle. In these cases the spurious vector from the spurious vector register will be returned. The following cases would cause a spurious vector fetch:

- ❑ INT is asserted in response to an externally sourced interrupt, which is activated with level sensitive logic, and the asserted level is negated before the interrupt is acknowledged.
- ❑ INT is asserted for an interrupt source, which is masked using the mask bit, in the Vector-Priority register before the interrupt is acknowledged.

Interprocessor Interrupts (IPI)

Processors 0 and 1 can generate interrupts which are targeted for the other or both processors. There are four Interprocessor Interrupts (IPI) channels. The interrupts are initiated by writing a bit in the IPI dispatch registers. If subsequent IPI's are initiated before the first is acknowledged, only one IPI will be generated. The IPI channels deliver interrupts in Direct Mode and can be directed to more than one processor.

8259 Compatibility

The MPIC provides a mechanism to support PC-AT compatible chip sets using the 8259 interrupt controller architecture. After power-on reset, the MPIC defaults to 8259 pass-through mode. In this mode, if the OPIC is enabled, interrupts from external source number 0 (the interrupt signal from the 8259 is connected to this external interrupt source on the MPIC) are passed directly to processor 0. If the pass-through mode is disabled and the OPIC is enabled, the 8259 interrupts are delivered using the priority and distribution mechanisms of the MPIC.

MPIC does not interact with the vector fetch from the 8259 interrupt controller.

Hawk Internal Error Interrupt

Hawk's PHB and SMC detected errors are grouped together and sent to the interrupt logic as a singular interrupt source (Hawk internal error interrupt). This Hawk internal error interrupt request is an active low-level sensitive interrupt. The interrupt delivery mode for this interrupt is distributed. When the OPIC is disabled, the Hawk internal error interrupt will be passed directly on to processor 0 INT pin.

For system implementations where the MPIC controller is not used, the Hawk internal error condition will be made available by a signal which is external to the Hawk ASIC. Presumably this signal will be connected to an externally sourced interrupt input of an MPIC controller of a different device. Since the MPIC specification defines external I/O interrupts to operate in the distributed mode, the delivery mode of this error interrupt should be consistent.

Timers

There is a divide by eight pre scaler which is synchronized to the PCI clock. The output of the pre scaler enables the decrement of the four timers. The timers may be used for system timing or to generate periodic interrupts. Each timer has four registers, which are used for configuration and control. They are:

- ❑ Current Count Register
- ❑ Base Count Register
- ❑ Vector-Priority Register
- ❑ Destination Register

Interrupt Delivery Modes

The direct and distributed interrupt delivery modes are supported. Note that the direct delivery mode has sub modes of multicast or non-multicast. The IPIs and Timer interrupts operate in the direct delivery mode. The externally sourced, or I/O interrupts operate in the distributed mode.

In the direct delivery mode, the interrupt is directed to one or both processors. If it is directed to two processors (i.e., multicast), it will be delivered to two processors. The interrupt is delivered to the processor when the priority of the interrupt is greater than the priority contained in the task register for that processor, and when the priority of the interrupt is greater than any interrupt which is in-service for that processor. An interrupt is considered to be in service from the time its vector is returned during an interrupt acknowledge cycle until an EOI is received for that interrupt. The EOI cycle indicates the end of processing for the highest priority in service interrupt.

In the distributed delivery mode, the interrupt is pointed to one or more processors but it will be delivered to only one processor. Therefore, for externally sourced or I/O interrupts, multicast delivery is not supported. The interrupt is delivered to a processor when the priority of the interrupt is greater than the priority contained in the task register for that processor, when the priority of the interrupt is greater than any interrupt which is in-service for that processor, when the priority of that interrupt is the highest of all interrupts pending for that processor, and when that interrupt is not in-service for the other processor. If both destination bits are set for each processor, the interrupt will be delivered to the processor that has a lower task register priority. Note, due to a deadlock condition that can occur when the task register priorities for each processor are the same and both processors are targeted for interrupt delivery, the interrupt will be delivered to processor 0 or processor 1 as determined by the TIE mode. Additionally, if priorities are set the same for competing interrupts, external int. 0 is given the highest priority in hardware followed by external interrupt 1 through 15 and then followed by timer 0 through timer 3 and followed by IPI 0 and 1. For example, if both ext0 and ext1 interrupts are pending with the same assigned priority; during the following interrupt acknowledge cycles, the first vector returned shall be that of ext0 and then ext1. This is an arbitrary choice.

Block Diagram Description

The description of the MPIC block diagram shown in [Figure 2-9](#) focuses on the theory of operation for the interrupt delivery logic.

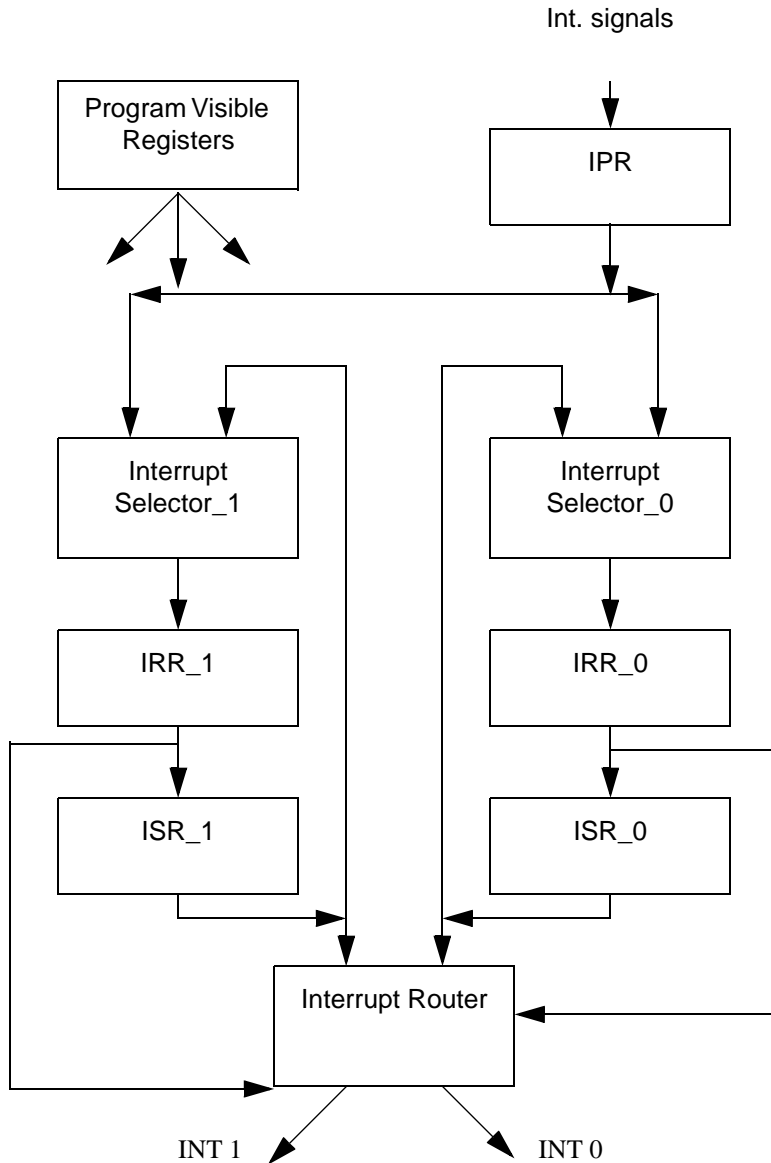


Figure 2-9. MPIC Block Diagram

Program Visible Registers

These are the registers that software can access. They are described in detail in the *MPIC Registers* section.

Interrupt Pending Register (IPR)

The interrupt signals to MPIC are qualified and synchronized to the clock by the IPR. If the interrupt source is internal to the Hawk ASIC or external with their Sense bit = 0 (edge sensitive), a bit is set in the IPR. That bit is cleared when the interrupt associated with that bit is acknowledged. If the interrupt source is external and level activated, the output from the IPR is not negated until the level into the IPR is negated.

Externally sourced interrupts are qualified based upon their Sense and/or Pol bits in the Vector-Priority register. IPI and Timer Interrupts are generated internally to the Hawk ASIC and are qualified by their Destination bit. Since the internally generated interrupts use direct delivery mode with multicast capability, there are two bits in the IPR, one for each processor, associated with each IPI and Timer interrupt source.

The MASK bits from the Vector-Priority registers are used to qualify the output of the IPR. Therefore, if an interrupt condition is detected when the MASK bit is set, that interrupt will be requested when the MASK bit is lowered.

Interrupt Selector (IS)

There is a Interrupt Selector (IS) for each processor. The IS receives interrupt requests from the IPR. If the interrupt requests are from an external source, they are qualified by the destination bit for that interrupt and processor. If they are from an internal source, they have been qualified. The output of the IS will be the highest priority interrupt that has been qualified. This output is the priority of the selected interrupt and its source identification. The IS will resolve an interrupt request in two PHB clock ticks.

The IS also receives a second set of inputs from the ISR. During the End Of Interrupt cycle, these inputs are used to select which bits are to be cleared in the ISR.

Interrupt Request Register (IRR)

There is a Interrupt Request Register (IRR) for each processor. The IRR always passes the output of the IS except during Interrupt Acknowledge cycles. This guarantees that the vector which is read from the Interrupt Acknowledge Register does not change due to the arrival of a higher priority interrupt. The IRR also serves as a pipeline register for the two tick propagation time through the IS.

In-Service Register (ISR)

There is a In-Service Register (ISR) for each processor. The contents of the ISR are the priority and source of all interrupts, which are in-service. The ISR receives a bit-set command during Interrupt Acknowledge cycles and a bit-clear command during End Of Interrupt cycles.

The ISR is implemented as a 40 bit register with individual bit set and clear functions. Fifteen bits are used to store the priority level of each interrupt which is in-service. Twenty-five bits are used to store the source identification of each interrupt which is in service. Therefore, there is one bit for each possible interrupt priority and one bit for each possible interrupt source.

Interrupt Router

The Interrupt Router monitors the outputs from the ISR's, Current Task Priority Registers, Destination Registers, and the IRR's to determine when to assert a processor's INT pin.

When considering the following rule sets, it is important to remember that there are two types of inputs to the Interrupt Selectors. If the interrupt is a distributed class interrupt, there is a single bit in the IPR associated with this interrupt and it is delivered to both Interrupt Selectors. This IPR bit is qualified by the destination register contents for that interrupt before the Interrupt Selector compares its priority to the priority of all other requesting interrupts for that processor. If the interrupt is programmed to be edge sensitive, the IPR bit is cleared when the vector for that interrupt is returned when the Interrupt Acknowledge register is examined. On the other hand, if the interrupt is a direct/multicast class interrupt, there are two bits in the IPR associated with this interrupt. One bit for each processor.

Then one of these bits is delivered to each Interrupt Selector. Since this interrupt source can be multicast, each of these IPR bits must be cleared separately when the vector is returned for that interrupt to a particular processor.

If one of the following sets of conditions is true, the interrupt pin for processor 0 is driven active.

- Set1
 - The source ID in IRR_0 is from an external source.
 - The destination bit for processor 1 is 0 for this interrupt.
 - The priority from IRR_0 is greater than the highest priority in ISR_0.
 - The priority from IRR_0 is greater than the contents of task register_0.
- Set2
 - The source ID in IRR_0 is from an external source.
 - The destination bit for processor 1 is a 1 for this interrupt.
 - The source ID in IRR_0 is not present in ISR_1.
 - The priority from IRR_0 is greater than the highest priority in ISR_0.
 - The priority from IRR_0 is greater than the Task Register_0 contents.
 - The contents of Task Register_0 is less than the contents of Task Register_1.
- Set3
 - The source ID in IRR_0 is from an internal source.
 - The priority from IRR_0 is greater than the highest priority in ISR_0.
 - The priority from IRR_0 is greater than the Task Register_0 contents.

There is a possibility for a priority tie between the two processors when resolving external interrupts. In that case, the interrupt will be delivered to processor 0 or processor 1 as determined by the TIE mode bit. This case is not defined in the above rule set.

Programming Notes

External Interrupt Service

The following summarizes how an external interrupt is serviced:

- ❑ An external interrupt occurs.
- ❑ The processor state is saved in the machine status save/restore registers. A new value is loaded into the Machine State Register (MSR). The External Interrupt Enable bit in the new MSR (MSR_{EE}) is set to zero. Control is transferred to the O/S external interrupt handler.
- ❑ The external interrupt handler calculates the address of the Interrupt Acknowledge register for this processor (MPIC Base Address + 0x200A0) + (processor ID shifted left 12 bits).
- ❑ The external interrupt handler issues an Interrupt Acknowledge request to read the interrupt vector from the Hawk's MPIC. If the interrupt vector indicates the interrupt source is the 8259, the interrupt handler issues a second Interrupt Acknowledge request to read the interrupt vector from the 8259. The Hawk's MPIC does not interact with the vector fetch from the 8259.
- ❑ The interrupt handler saves the processor state and other interrupt-specific information in system memory and re-enables for external interrupts (the MSR_{EE} bit is set to 1). MPIC blocks interrupts from sources with equal or lower priority until an End-of-Interrupt is received for that interrupt source. Interrupts from higher priority interrupt sources continue to be enabled. If the interrupt source is the 8259, the interrupt handler issues an EOI request to the MPIC. This resets the In-Service bit for the 8259 within the MPIC and allows it to recognize higher priority interrupt requests, if any, from the 8259. If none of the nested interrupt modes of the 8259 are enabled, the interrupt handler issues an EOI request to the 8259.

- The device driver interrupt service routine associated with this interrupt vector is invoked.
- If the interrupt source was not the 8259, the interrupt handler issues an EOI request for this interrupt vector to the MPIC. If the interrupt source was the 8259 and any of the nested interrupt modes of the 8259 are enabled, the interrupt handler issues an EOI request to the 8259.

Normally, interrupts from ISA devices are connected to the 8259 interrupt controller. ISA devices typically rely on the 8259 Interrupt Acknowledge to flush buffers between the ISA device and system memory. If interrupts from ISA devices are directly connected to the MPIC (bypassing the 8259), the device driver interrupt service routine must read status from the ISA device to ensure buffers between the device and system memory are flushed.

Reset State

After power on reset, the MPIC state is:

- ❑ Current task priority for all CPUs set to 15.
- ❑ All interrupt source priorities set to zero.
- ❑ All interrupt source mask bits set to a one.
- ❑ All interrupt source activity bits cleared.
- ❑ Processor Init Register is cleared.
- ❑ All counters stopped and interrupts disabled.
- ❑ Controller mode set to 8259 pass-through.

Operation

Interprocessor Interrupts

Four interprocessor interrupt (IPI) channels are provided for use by all processors. During system initialization the IPI vector/priority registers for each channel should be programmed to set the priority and vector returned for each IPI event. During system operation a processor may generate an IPI by writing a destination mask to one of the IPI dispatch registers. Note that each IPI dispatch register is shared by both processors. Each IPI dispatch register has two addresses but they are shared by both processors. That is there is a total of four IPI dispatch registers in the MPIC.

The IPI mechanism may be used for self interrupts by programming the dispatch register with the bit mask for the originating processor.

Dynamically Changing I/O Interrupt Configuration

The interrupt controller provides a mechanism for safely changing the vector, priority, or destination of I/O interrupt sources. This is provided to support systems which allow dynamic configuration of I/O devices. In order to change the vector, priority, or destination of an active interrupt source, the following sequence should be performed:

- ❑ Mask the source using the MASK bit in the vector/priority register.
- ❑ Wait for the activity bit (ACT) for that source to be cleared.
- ❑ Make the desired changes.
- ❑ Unmask the source.

This sequence ensures that the vector, priority, destination, and mask information remain valid until all processing of pending interrupts is complete.

EOI Register

Each processor has a private EOI register which is used to signal the end of processing for a particular interrupt event. If multiple nested interrupts are in service, the EOI command terminates the interrupt service of the highest priority source. Once an interrupt is acknowledged, only sources of higher priority will be allowed to interrupt the processor until the EOI command is received. This register should always be written with a value of zero which is the nonspecific EOI command.

Interrupt Acknowledge Register

Upon receipt of an interrupt signal, the processor may read this register to retrieve the vector of the interrupt source which caused the interrupt.

8259 Mode

The 8259 mode bits control the use of an external 8259 pair for PC-AT compatibility. Following reset, this mode is set for pass through which essentially disables the advanced controller and passes an 8259 input on external interrupt source 0 directly through to processor zero. During interrupt controller initialization, this channel should be programmed for mixed mode in order to take advantage of the interrupt delivery modes.

Current Task Priority Level

Each processor has a separate Current Task Priority Level register. The system software uses this register to indicate the relative priority of the task running on the corresponding processor. The interrupt controller will not deliver an interrupt to a processor unless it has a priority level which is greater than the current task priority level of that processor. This value is also used in determining the destination for interrupts which are delivered using the distributed deliver mode.

Architectural Notes

The hardware and software overhead required to update the task priority register synchronously with instruction execution may far outweigh the anticipated benefits of the task priority register. To minimize this overhead, the interrupt controller architecture should allow the task priority register to be updated asynchronously with respect to instruction execution. Lower priority interrupts may continue to occur for an indeterminate number of cycles after the processor has updated the task priority register. If this is not acceptable, the interrupt controller architecture should recommend that, if the task priority register is not implemented with the processor, the task priority register should only be updated when the processor enters or exits an idle state.

Only when the task priority register is integrated within the processor, such that it can be accessed as quickly as the *MSRee* bit, for example, should the architecture require the task priority register be updated synchronously with instruction execution.

Effects of Interrupt Serialization

All external interrupt sources that are level sensitive must be negated at least N PCI clocks prior to doing an EOI cycle for that interrupt source, where N is equal to the number of PCI clocks necessary to scan in the external interrupts. In the example shown, 16 external interrupts are scanned in, $N = 16$. Serializing the external interrupts causes a delay between the time that the external interrupt source changes level and when MPIC logic actually sees the change. Spurious interrupts can result if an EOI cycle occurs before the interrupt source is seen to be negated by MPIC logic.

Registers

This section provides a detailed description of all PHB registers. The section is divided into two parts: the first covers the PPC Registers and the second covers the PCI Configuration Registers. The PPC Registers are accessible only from the PPC bus using any single beat valid transfer size. The PCI Configuration Registers reside in PCI configuration space. These are primarily accessible from the PPC bus by using the CONFIG_ADDRESS and CONFIG_DATA registers. The PPC Registers are described first; the PCI Configuration Registers are described next. A complete discussion of the MPIC registers can be found later in this chapter.

It is possible to place the base address of the PPC registers at either \$FEFF0000 or \$FEFE0000. Having two choices for where the base registers reside allows the system designer to use two of the Hawk's PCI Host Bridges connected to one PPC60x bus. Please refer to the section titled *PHB Hardware Configuration* for more information. All references to the PPC registers of PHB within this document are made with respect to the base address \$FEFF0000.

The following conventions are used in the Hawk register charts:

- R Read Only field.
- R/W Read/Write field.
- S Writing a ONE to this field sets this field.
- C Writing a ONE to this field clears this field.

PPC Registers

The PPC register map of the PHB is shown in [Table 2-16](#).

Table 2-16. PPC Register Map for PHB

Bit --->	0	1	2	3	4	5	6	7	8	9	10	11	12	13	14	15	16	17	18	19	20	21	22	23	24	25	26	27	28	29	30	31
\$FEFF0000	VENID										DEVID																					
\$FEFF0004											REVID																					
\$FEFF0008	GCSR																															
\$FEFF000C	XARB										PARB																					
\$FEFF0010																						XPAD										
\$FEFF0014																																
\$FEFF0018																																
\$FEFF001C																																
\$FEFF0020	ETEST										EENAB																					
\$FEFF0024																						ESTAT										
\$FEFF0028	EADDR																															
\$FEFF002C																						EATTR										
\$FEFF0030	PIACK																															
\$FEFF0034																																
\$FEFF0038																																
\$FEFF003C																																
\$FEFF0040	XSADD0																															
\$FEFF0044	XSOFF0																					XSATT0										

Table 2-16. PPC Register Map for PHB (Continued)

Bit --->	0	1	2	3	4	5	6	7	8	9	10	11	12	13	14	15	16	17	18	19	20	21	22	23	24	25	26	27	28	29	30	31
\$FEFF0048	XSADD1																															
\$FEFF004C	XSOFF1																							XSATT1								
\$FEFF0050	XSADD2																															
\$FEFF0054	XSOFF2																							XSATT2								
\$FEFF0058	XSADD3																															
\$FEFF005C	XSOFF3																							XSATT3								
\$FEFF0060	WDT1CNTL																															
\$FEFF0064																								WDT1STAT								
\$FEFF0068	WDT2CNTL																															
\$FEFF006C																								WDT2STAT								
\$FEFF0070	GPREG0(Upper)																															
\$FEFF0074	GPREG0(Lower)																															
\$FEFF0078	GPREG1(Upper)																															
\$FEFF007C	GPREG1(Lower)																															

Vendor ID/Device ID Registers

Address	\$FEFF0000																															
Bit	0	1	2	3	4	5	6	7	8	9	0	1	1	1	1	1	1	1	1	1	1	2	2	2	2	2	2	2	2	2	3	3
Name	VENID																DEVID															
Operation	R																R															
Reset	\$1057																\$4803															

VENID **Vendor ID.** This register identifies the manufacturer of the device. This identifier is allocated by the PCI SIG to ensure uniqueness. \$1057 has been assigned to Motorola and is hardwired as a read-only value. This register is duplicated in the PCI Configuration Registers.

DEVID **Device ID.** This register identifies this particular device. The Hawk will always return \$4803. This register is duplicated in the PCI Configuration Registers.

Revision ID Register

Address	\$FEFF0004																																
Bit	0	1	2	3	4	5	6	7	8	9	0	1	1	1	1	1	1	1	1	1	1	1	2	2	2	2	2	2	2	2	2	3	3
Name									REVID																								
Operation	R								R								R								R								
Reset	\$00								\$01								\$00								\$00								

REVID **Revision ID.** This register identifies the PHB revision level. This register is duplicated in the PCI Configuration Registers.

General Control-Status/Feature Registers

The General Control-Status Register (**GCSR**) provides miscellaneous control and status information for the PHB. The bits within the GCSR are defined as follows:

Address	\$FEFF0008																																
Bit	0	1	2	3	4	5	6	7	8	9	10	11	12	13	14	15	16	17	18	19	20	21	22	23	24	25	26	27	28	29	30	31	32
Name	GCSR																																
	LEND			PFBR	HMBH	XFBR	XBT1	XBT0	Pg4		OPIC			XID1	XID0																		
Operation	rw	r	r	r	r	rw	rw	rw	r	r	r	r	r	r	r	r	r	r	r	r	r	r	r	r	r	r	r	r	r	r	r	r	r
Reset	0	0	0	0	0	0	0	0	0	0	0	0	0	0	0	00	00	00	00	00	00	00	00	00	00	00	00	00	00	00	00	00	00

LEND **Endian Select.** If set, the PPC bus is operating in little endian mode. The PPC address is modified as described in the section titled *When PPC Devices are Little Endian on page 2-39*. When LEND is clear, the PPC bus is operating in Big Endian mode, and all data to/from PCI is swapped as described in the section titled *When PPC Devices are Big-Endian on page 2-38*.

PFBR **PCI Flush Before Read.** If set, the PHB guarantees that all PPC initiated posted write transactions are completed before any PCI initiated read transactions are allowed to complete. When PFBR is clear, there is no correlation between these transaction types and their order of completion. Refer to the section on *Transaction Ordering* for more information.

XMBH **PPC Master Bus Hog.** If set, the PPC master of the PHB operates in the Bus Hog mode. Bus Hog mode means the PPC Master continually requests the PPC bus for the entire duration of each transfer. If Bus Hog is not enabled, the PPC master requests the bus in a normal manner. Refer to the section titled *PPC Master* for more information.

XFBR **PPC Flush Before Read.** If set, the PHB will guarantee that all PCI initiated posted write transactions will be completed before any PPC-initiated read transactions will be allowed to complete. When XFBR is clear, there is no correlation between these transaction types and their order of completion. Refer to the section titled *Transaction Ordering* for more information.

XBT_x **PPC Bus Time-out.** This field specifies the enabling and PPC bus time-out length to be used by the PPC timer. The time-out length is encoded as follows:

MBT	Time Out Length
00	256 msec
01	64 msec
10	8 msec
11	disabled

P64 **64-bit PCI Mode.** If set, the PHB is connected to a 64-bit PCI bus. Refer to the section titled *PHB Hardware Configuration* for more details of how this bit is set.

OPIC **OpenPIC Interrupt Controller Enable.** If set, the PHB detected errors are passed on to the MPIC. If cleared, PHB detected errors are passed on to the processor 0 INT pin.

XID_x **PPC ID.** This field is encoded as shown below to indicate who is currently the PPC bus master. This information is obtained by sampling the XARB0 thru XARB3 pins when in external PPC arbitration mode. When in internal PPC arbitration mode, this information is generated by the PPC Arbiter. In a multiprocessor environment, these bits allow software to determine on which processor it is currently running.

MID	Current PPC Data Bus Master
00	device on ABG0*
01	device on ABG1*
10	device on ABG2
11	Hawk

PPC Arbiter/PCI Arbiter Control Registers

The PPC Arbiter Register (**XARB**) provides control and status for the PPC Arbiter. Refer to the section titled *PPC Arbiter* for more information. The bits within the XARB register are defined as follows:

Address	\$FEFF000C																																	
Bit	0	1	2	3	4	5	6	7	8	9	10	11	12	13	14	15	16	17	18	19	20	21	22	23	24	25	26	27	28	29	30	31	32	
Name	XARB																PARB																	
	FBR1	FBR0	FSR1	FSR0	FBW1	FBW0	FSW1	FSW0		PRI	PRK1	PRK0				ENA	PR1	PR10	PRK3	PRK2	PRK1	PRK0	HIER2	HIER1	HIER0	POL						ENA		
Operation	RW								R	RW	RW	RW	R	R	R	R	R	R	R	R	R	R	R	R	R	R	R	R	R	R	R	R	R	R
Reset	0								0	0	0	0	0	0	1	0	0	0	0	0	0	0	0	0	0	0	0	0	0	0	0	0	0	0

FBRx Flatten Burst Read. This field is used by the PPC Arbiter to control how bus pipelining will be affected after all burst read cycles. The encoding of this field is shown in the table below.

FSRx Flatten Single Read. This field is used by the PPC Arbiter to control how bus pipelining will be affected after all single beat read cycles. The encoding of this field is shown in the table below.

FBWx Flatten Burst Write. This field is used by the PPC Arbiter to control how bus pipelining will be affected after all burst write cycles. The encoding of this field is shown in the table below.

FSWx Flatten Single Write. This field is used by the PPC Arbiter to control how bus pipelining will be affected after all single beat write cycles. The encoding of this field is shown in the table below.

FBR/FSR/FBW/FSW	Effects on Bus Pipelining
00	None
01	None
10	Flatten always
11	Flatten if switching masters

PRI **Priority.** If set, the PPC Arbiter will impose a rotating between CPU0 grants. If cleared, a fixed priority will be established between CPU0 and CPU1 grants, with CPU0 having a higher priority than CPU1.

PRKx **Parking.** This field determines how the PPC Arbiter will implement CPU parking. The encoding of this field is shown in the table below.

PRK	CPU Parking
00	None
01	Park on last CPU
10	Park always on CPU0
11	Park always on CPU1

ENA **Enable.** This read only bit indicates the enabled state of the PPC Arbiter. If set, the PPC Arbiter is enabled and is acting as the system arbiter. If cleared, the PPC Arbiter is disabled and external logic is implementing the system arbiter. Refer to the section titled *PHB Hardware Configuration* for more information on how this bit gets set.

The PCI Arbiter Register (**PARB**) provides control and status for the PCI Arbiter. Refer to the section titled *PCI Arbiter* for more information. The bits within the PARB register are defined as follows:

PRIx **Priority.** This field is used by the PCI Arbiter to establish a particular bus priority scheme. The encoding of this field is shown in the following table.

PRI	Priority Scheme
00	Fixed
01	Round Robin
10	Mixed
11	Reserved

PRKx **Parking.** This field is used by the PCI Arbiter to establish a particular bus parking scheme. The encoding of this field is shown in the following table.

PRK	Parking Scheme
0000	Park on last master
0001	Park always on PARB6
0010	Park always on PARB5
0011	Park always on PARB4
0100	Park always on PARB3
0101	Park always on PARB2
0110	Park always on PARB1
0111	Park always on PARB0
1000	Park always on HAWK
1111	None

HIERx **Hierarchy.** This field is used by the PCI Arbiter to establish a particular priority ordering when using a fixed or mixed mode priority scheme. When using the fixed priority scheme, the encoding of this field is shown in the table below.

HIER	Priority ordering, highest to lowest
000	PARB6 -> PARB5 -> PARB4 -> PARB3 -> PARB2 -> PARB1 -> PARB0 -> HAWK
001	HAWK -> PARB6 -> PARB5 -> PARB4 -> PARB3 -> PARB2 -> PARB1 -> PARB0
010	PARB0 -> HAWK -> PARB6 -> PARB5 -> PARB4 -> PARB3 -> PARB2 -> PARB1
011	PARB1 -> PARB0 -> HAWK -> PARB6 -> PARB5 -> PARB4 -> PARB3 -> PARB2
100	PARB2 -> PARB1 -> PARB0 -> HAWK -> PARB6 -> PARB5 -> PARB4 -> PARB3
101	PARB3 -> PARB2 -> PARB1 -> PARB0 -> HAWK -> PARB6 -> PARB5 -> PARB4
110	PARB4 -> PARB3 -> PARB2 -> PARB1 -> PARB0 -> HAWK -> PARB6 -> PARB5
111	PARB5 -> PARB4 -> PARB3 -> PARB2 -> PARB1 -> PARB0 -> HAWK -> PARB6

When using the mixed priority scheme, the encoding of this field is shown in the following table.

HIER	Priority ordering, highest to lowest
000	Group 1 -> Group 2 -> Group 3 -> Group 4
001	Group 4 -> Group 1 -> Group 2 -> Group 3
010	Group 3 -> Group 4 -> Group 1 -> Group 2
011	Group 2 -> Group 3 -> Group 4 -> Group 1
100	Reserved
101	Reserved
110	Reserved
111	Reserved

POL **Park on lock.** If set, the PCI Arbiter will park the bus on the master that successfully obtains a PCI bus lock. The PCI Arbiter keeps the locking master parked and does not allow any non-locked masters to obtain access of the PCI bus until the locking master releases the lock. If this bit is cleared, the PCI Arbiter does not distinguish between locked and non-locked cycles.

ENA **Enable.** This read only bit indicates the enabled state of the PCI Arbiter. If set, the PCI Arbiter is enabled and is acting as the system arbiter. If cleared, the PCI Arbiter is disabled and external logic is implementing the system arbiter. Please refer to the section titled *PHB Hardware Configuration* for more information on how this bit gets set.

Hardware Control-Status/Prescaler Adjust Register

The Hardware Control-Status Register (**HCSR**) provides hardware specific control and status information for the PHB. The bits within the HCSR are defined as follows:

Address	\$FEFF0010																																					
Bit	0	1	2	3	4	5	6	7	8	9	10	11	12	13	14	15	16	17	18	19	20	21	22	23	24	25	26	27	28	29	30	31						
Name	HCSR																XPAD																					
Operation	R	R	R	R	R	R	R	R	R	R	R	R/W	SPRQ	R/W	WLRTI	R/W	WLRT0	R/W	RLRTI	R/W	RLRT0	R						R/W										
Reset	0	0	0	0	0	X	X	X	0	0	0	1	R/W	SPRQ	0	R/W	WLRTI	0	R/W	WLRT0	0	R/W	RLRTI	0	R/W	RLRT0	\$00						\$9C					

XPRx **PPC/PCI Clock Ratio.** This is a read only field that is used to indicate the clock ratio that has been established by the PHB at the release of reset. The encoding of this field is shown in the following table.

XPR	PPC60x/PCI clock ratio
000	Undefined
001	1:1
010	2:1
011	3:1
100	3:2
101	Undefined
110	5:2
111	Undefined

SPRQ **Speculative PCI Request.** If set, the PHB PCI Master will perform speculative PCI requesting when a PCI bound transaction has been retried due to bridge lock resolution. If cleared, the PCI Master will only request the PCI bus when a transaction is pending within the PHB FIFOs.

WLRTx Write Lock Resolution Threshold. This field is used by the PHB to determine a PPC bound write FIFO threshold at which a bridge lock resolution will create a retry on a pending PCI bound transaction. The encoding of this field is shown in the following table.

WLRT	Write lock resolution threshold
00	Match write threshold mode (i.e. PSATTx WXFT)
01	Immediate
10	FIFO full
11	FIFO full

RLRTx Read Lock Resolution Threshold. This field is used by the PHB to determine a PPC bound read FIFO threshold at which a bridge lock resolution will create a retry on a pending PCI bound transaction. The encoding of this field is shown in the following table.

RLRT	Read lock resolution threshold
00	Match read threshold mode (i.e. PSATTx RXFT or RMFT)
01	Immediate
10	FIFO less than 1 cache line
11	FIFO less than 1 cache line

The PPC Prescaler Adjust Register (**XPAD**) is used to specify a scale factor for the prescaler to ensure that the time base for the bus timer is 1MHz. The scale factor is calculated as follows:

$$XPAD = 256 - Clk,$$

where Clk is the frequency of the CLK input in MHz. The following table shows the scale factors for some common CLK frequencies.

Frequency	XPAD
100	\$9C
83	\$AD
66	\$BE
50	\$CE

PPC Error Test/Error Enable Register

The Error Test Register (**ETEST**) provides you with a way to send certain types of errors to test the PHB error capture and status circuitry. The bits within the ETEST are defined as follows:

Address	\$FEFF0020																																																									
Bit	0	1	2	3	4	5	6	7	8	9	10	11	12	13	14	15	16	17	18	19	20	21	22	23	24	25	26	27	28	29	30	31																										
Name	ETEST																EENAB																																									
Operation	R/W	DPE0	R/W	DPE1	R/W	DPE2	R/W	DPE3	R/W	DPE4	R/W	DPE5	R/W	DPE6	R/W	DPE7	R	R	R	R	R	R/W	APE0	R/W	APE1	R/W	APE2	R/W	APE3	R	R/W	DFLT	R/W	XBTOM	R/W	XDPEM	R/W	PPERM	R/W	PSERM	R/W	PSMAM	R/W	PRTAM	R	R	R/W	XBTOII	R/W	XDPEI	R/W	PPERI	R/W	PSERI	R/W	PSMAI	R/W	PRTAI
Reset	0		0		0		0		0		0		0		0		0		0		0		0		0		0		0		0		0		0		0		0		0		0		0		0		0		0		0		0			

DPE_x **Data Parity Error Enable.** These bits are used for test reasons to purposely inject data parity errors whenever the PHB is sourcing PPC data. A data parity error will be created on the corresponding PPC data parity bus if a bit is set. For example, setting DPE0 will cause DP0 to be generated incorrectly. If the bit is cleared, the PHB will generate correct data parity.

APE_x **Address Parity Error Enable.** These bits are used for test reasons to purposely inject address parity errors whenever the PHB is acting as a PPC bus master. An address parity error will be created on the corresponding PPC address parity bus if a bit is set. For example, setting APE0 will cause AP0 to be generated incorrectly. If the bit is cleared, the PHB will generate correct address parity.

The Error Enable Register (**EENAB**) controls how the PHB is to respond to the detection of various errors. In particular, each error type can uniquely be programmed to generate a machine check, generate an interrupt, generate both, or generate neither. The bits within the ETEST are defined as follows:

- DFLT** **Default PPC Master ID.** This bit determines which MCHK_ pin will be asserted for error conditions in which the PPC Master ID cannot be determined or the PHB was the PPC Master. For example, in the event of a PCI parity error for a transaction in which the PHB's PCI Master was not involved, the PPC Master ID cannot be determined. When DFLT is set, MCHK1_ is used. When DFLT is clear, MCHK0_ will be used.
- XBTO** **PPC Address Bus Time-out Machine Check Enable.** When this bit is set, the XBTO bit in the ESTAT register will be used to assert the MCHK output to the current address bus master. When this bit is clear, MCHK will not be asserted.
- XDPEM** **PPC Data Parity Error Machine Check Enable.** When this bit is set, the XDPE bit in the ESTAT register will be used to assert the MCHK output to the current address bus master. When this bit is clear, MCHK will not be asserted.
- PPER** **PCI Parity Error Machine Check Enable.** When this bit is set, the PPER bit in the ESTAT register will be used to assert the MCHK output to bus master 0. When this bit is clear, MCHK will not be asserted.
- PSER** **PCI System Error Machine Check Enable.** When this bit is set, the PSER bit in the ESTAT register will be used to assert the MCHK output to bus master 0. When this bit is clear, MCHK will not be asserted.
- PSMAM** **PCI Signalled Master Abort Machine Check Enable.** When this bit is set, the PSMA bit in the ESTAT register will be used to assert the MCHK output to the bus master which initiated the transaction. When this bit is clear, MCHK will not be asserted.
- PRTAM** **PCI Master Received Target Abort Machine Check Enable.** When this bit is set, the PRTA bit in the ESTAT register will be used to assert the MCHK output to the bus master which initiated the transaction. When this bit is clear, MCHK will not be asserted.

- XBTOI** **PPC Address Bus Time-out Interrupt Enable.** When this bit is set, the XBTO bit in the MERST register will be used to assert an interrupt through the MPIC interrupt controller. When this bit is clear, no interrupt will be asserted.
- XDPEI** **PPC Data Parity Error Interrupt Enable.** When this bit is set, the XDPE bit in the ESTAT register will be used to assert an interrupt through the MPIC. When this bit is clear, no interrupt will be asserted.
- PPERI** **PCI Parity Error Interrupt Enable.** When this bit is set, the PPER bit in the ESTAT register will be used to assert an interrupt through the MPIC interrupt controller. When this bit is clear, no interrupt will be asserted.
- PSERI** **PCI System Error Interrupt Enable.** When this bit is set, the PSER bit in the ESTAT register will be used to assert an interrupt through the MPIC interrupt controller. When this bit is clear, no interrupt will be asserted.
- PSMAI** **PCI Master Signalled Master Abort Interrupt Enable.** When this bit is set, the PSMA bit in the ESTAT register will be used to assert an interrupt through the MPIC interrupt controller. When this bit is clear, no interrupt will be asserted.
- PRTAI** **PCI Master Received Target Abort Interrupt Enable.** When this bit is set, the PRTA bit in the ESTAT register will be used to assert an interrupt through the MPIC interrupt controller. When this bit is clear, no interrupt will be asserted.

PPC Error Status Register

The Error Status Register (**ESTAT**) provides an array of status bits pertaining to the various errors that the PHB can detect. The bits within the ESTAT are defined in the following paragraphs.

Address	\$FEFF0024																															
Bit	0	1	2	3	4	5	6	7	8	9	10	11	12	13	14	15	16	17	18	19	20	21	22	23	24	25	26	27	28	29	30	31
Name																						ESTAT										
																						OVF	XBTO	XDPE	PPER	PSER	PSMA	PRTA				
Operation	R							R							R							R/C	R	R/C	R	R/C	R/C	R/C				
Reset	\$00							\$00							\$00							0	0	0	0	0	0	0				

OVF **Error Status Overflow.** This bit is set when any error is detected and any of the error status bits are already set. It may be cleared by writing a 1 to it; writing a 0 to it has no effect.

XBTO **PPC Address Bus Time-out.** This bit is set when the PPC timer times out. It may be cleared by writing a 1 to it; writing a 0 to it has no effect. When the XBTOM bit in the EENAB register is set, the assertion of this bit will assert MCHK to the master designated by the XID field in the EATTR register. When the XBTOI bit in the EENAB register is set, the assertion of this bit will assert an interrupt through the MPIC.

XDPE **PPC Data Parity Error.** This bit is set when the PHB detects a data bus parity error. It may be cleared by writing a 1 to it; writing a 0 to it has no effect. When the XDPEM bit in the EENAB register is set, the assertion of this bit will assert MCHK to the master designated by the XID field in the EATTR register. When the XDPEI bit in the EENAB register is set, the assertion of this bit will assert an interrupt through the MPIC.

- PPER** **PCI Parity Error.** This bit is set when the PCI PERR_ pin is asserted. It may be cleared by writing it to a 1; writing it to a 0 has no effect. When the PPERM bit in the EENAB register is set, the assertion of this bit will assert MCHK to the master designated by the DFLT bit in the EATTR register. When the PPERI bit in the EENAB register is set, the assertion of this bit will assert an interrupt through the MPIC.
- PSER** **PCI System Error.** This bit is set when the PCI SERR_ pin is asserted. It may be cleared by writing it to a 1; writing it to a 0 has no effect. When the PSERM bit in the EENAB register is set, the assertion of this bit will assert MCHK to the master designated by the DFLT bit in the EATTR register. When the PSERI bit in the EENAB register is set, the assertion of this bit will assert an interrupt through the MPIC.
- PSMA** **PCI Master Signalled Master Abort.** This bit is set when the PCI master signals master abort to terminate a PCI transaction. It may be cleared by writing it to a 1; writing it to a 0 has no effect. When the PSMAM bit in the EENAB register is set, the assertion of this bit will assert MCHK to the master designated by the XID field in the EATTR register. When the PSMAI bit in the EENAB register is set, the assertion of this bit will assert an interrupt through the MPIC.
- PRTA** **PCI Master Received Target Abort.** This bit is set when the PCI master receives target abort to terminate a PCI transaction. It may be cleared by writing it to a 1; writing it to a 0 has no effect. When the PRTAM bit in the EENAB register is set, the assertion of this bit will assert MCHK to the master designated by the XID field in the EATTR register. When the PRTAI bit in the EENAB register is set, the assertion of this bit will assert an interrupt through the MPIC.

PPC Error Address Register

The Error Address Register (**EADDR**) captures addressing information on the various errors that the PHB can detect. The register captures the PPC address when the XBTO bit is set in the ESTAT register. The register captures the PCI address when the PSMA or PRTA bits are set in the ESTAT register. The register's contents are not defined when the XDPE, PPER or PSER bits are set in the ESTAT register.

Address	\$FEFF0028																															
Bit	0	1	2	3	4	5	6	7	8	9	10	11	12	13	14	15	16	17	18	19	20	21	22	23	24	25	26	27	28	29	30	31
Name	EAADR																															
Operation	R																															
Reset	\$00000000																															

PPC Error Attribute Register

The Error Attribute Register (**EATTR**) captures attribute information on the various errors that the PHB can detect. If the XDPE, PPER or PSER bits are set in the ESTAT register, the contents of the EATTR register are zero. If the XBTO bit is set the register is defined by the following table:

Address	\$FEFF002C																																		
Bit	0	1	2	3	4	5	6	7	8	9	10	11	12	13	14	15	16	17	18	19	20	21	22	23	24	25	26	27	28	29	30	31	32		
Name																	EATTR																		
																	XID1	XID0					TBST	TSIZ0	TSIZ1	TSIZ2	TT0	TT1	TT2	TT3	TT4				
Operation	R								R								R	R	R	R	R	R	R	R	R	R	R	R	R	R	R	R	R	R	R
Reset	\$00								\$00								0	0	0	0	0	0	0	0	0	0	0	0	0	0	0	0	0	0	0

- XID_x** **PPC Master ID.** This field contains the ID of the PPC master which originated the transfer in which the error occurred. The encoding scheme is identical to that used in the GCSR register.
- TBST** **Transfer Burst.** This bit is set when the transfer in which the error occurred was a burst transfer.
- TSIZ_x** **Transfer Size.** This field contains the transfer size of the PPC transfer in which the error occurred.
- TT_x** **Transfer Type.** This field contains the transfer type of the PPC transfer in which the error occurred.

If the PSMA or PRTA bit are set, the register is defined by the following table:

Address	\$FEFF002C																																	
Bit	0	1	2	3	4	5	6	7	8	9	10	11	12	13	14	15	16	17	18	19	20	21	22	23	24	25	26	27	28	29	30	31		
Name									EATTR																									
									WP	MIDI	MIDO	COMM3	COMM2	COMM1	COMM0	BYTE7	BYTE6	BYTE5	BYTE4	BYTE3	BYTE2	BYTE1	BYTE0											
Operation	R								R	R	R	R	R	R	R	R	R	R	R	R	R	R	R	R	R	R	R	R	R	R	R	R	R	R
Reset	\$00								\$00	0	0	0	0	0	0	0	0	0	0	0	0	0	0	0	0	0	0	0	0	0	0	0	0	0

- WP** **Write Post Completion.** This bit is set when the PCI master detects an error while completing a write post transfer.
- XIDx** **PPC Master ID.** This field contains the ID of the PPC master which originated the transfer in which the error occurred. The encoding scheme is identical to that used in the GCSR register.
- COMMx** **PCI Command.** This field contains the PCI command of the PCI transfer in which the error occurred.
- BYTEx** **PCI Byte Enable.** This field contains the PCI byte enables of the PCI transfer in which the error occurred. A set bit designates a selected byte.

PCI Interrupt Acknowledge Register

The PCI Interrupt Acknowledge Register (**PIACK**) is a read only register that is used to initiate a single PCI Interrupt Acknowledge cycle. Any single byte or combination of bytes may be read from, and the actual byte enable pattern used during the read will be passed on to the PCI bus. Upon completion of the PCI interrupt acknowledge cycle, the PHB will present the resulting vector information obtained from the PCI bus as read data.

Address	\$FEFF0030																															
Bit	0	1	2	3	4	5	6	7	8	9	10	11	12	13	14	15	16	17	18	19	20	21	22	23	24	25	26	27	28	29	30	31
Name	PIACK																															
Operation	R																															
Reset	\$00000000																															

PPC Slave Address (0,1 and 2) Registers

The PPC Slave Address Registers (**XSADD0**, **XSADD1**, and **XSADD2**) contains address information associated with the mapping of PPC memory space to PCI memory I/O space. The fields within the XSADDx registers are defined as follows:

Address	XSADD0 - \$FEFF0040 XSADD1 - \$FEFF0048 XSADD2 - \$FEFF0050																															
Bit	0	1	2	3	4	5	6	7	8	9	10	11	12	13	14	15	16	17	18	19	20	21	22	23	24	25	26	27	28	29	30	31
Name	XSADDx																															
	START																END															
Operation	R/W																R/W															
Reset	\$0000																\$0000															

START **Start Address.** This field determines the start address of a particular memory area on the PPC bus which will be used to access PCI bus resources. The value of this field will be compared with the upper 16 bits of the incoming PPC address.

END **End Address.** This field determines the end address of a particular memory area on the PPC bus which will be used to access PCI bus resources. The value of this field will be compared with the upper 16 bits of the incoming PPC address.

- MEM** **PCI Memory Cycle.** If set, the corresponding PPC Slave will generate transfers to or from PCI memory space. When clear, the corresponding PPC Slave will generate transfers to or from PCI I/O space using the addressing mode defined by the IOM field.

- IOM** **PCI I/O Mode.** If set, the corresponding PPC Slave will generate PCI I/O cycles using spread addressing as defined in the section titled *Generating PCI Cycles*. When clear, the corresponding PPC Slave will generate PCI I/O cycles using contiguous addressing. This field only has meaning when the MEM bit is clear.

PPC Slave Address (3) Register

Address	MSADD3 - \$FEFF0058																															
Bit	0	1	2	3	4	5	6	7	8	9	10	11	12	13	14	15	16	17	18	19	20	21	22	23	24	25	26	27	28	29	30	31
Name	XSADD3																															
	START																END															
Operation	R/W																R/W															
Reset	Regbase 0xfeff0000 => \$8000 Regbase 0xfefe0000 => \$9000																Regbase 0xfeff0000 => \$8080 Regbase 0xfefe0000 => \$9080															

The PPC Slave Address Register 3 (**XSADD3**) contains address information associated with the mapping of PPC memory space to PCI I/O space. XSADD3 (in conjunction with XSOFF3/XSATT3) is the only register group that can be used to initiate access to the PCI CONFIG_ADDRESS (\$8000CF8) and CONFIG_DATA (\$8000CFC) registers. The power up value of XSADD3 (and XSOFF3/XSATT3) are set to allow access to these special register spaces without PPC register initialization.

The PPC Slave Attributes Register 3 (**XSATT3**) contains attribute information associated with the mapping of PPC memory space to PCI I/O space. The bits within the XSATT3 register are defined as follows:

- REN** **Read Enable.** If set, the corresponding PPC Slave is enabled for read transactions.
- WEN** **Write Enable.** If set, the corresponding PPC Slave is enabled for write transactions.
- WPEN** **Write Post Enable.** If set, write posting is enabled for the corresponding PPC Slave.
- IOM** **PCI I/O Mode.** If set, the corresponding PPC Slave generates PCI I/O cycles using spread addressing as defined in the section on *Generating PCI Cycles*. When clear, the corresponding PPC Slave generates PCI I/O cycles using contiguous addressing.

WDTxCNTL Registers

Address	WDT1CNTL - \$FEFF0060 WDT2CNTL - \$FEFF0068																																	
Bit	0	1	2	3	4	5	6	7	8	9	10	11	12	13	14	15	16	17	18	19	20	21	22	23	24	25	26	27	28	29	30	31		
Name	WDTxCNTL																																	
	KEY								ENAB	ARM	RES								RELOAD															
Operation	W								R/W	R	R/W								R/W															
Reset	\$00								1	0	\$7 or \$8								\$FF															

The **Watchdog Timer Control Registers (WDT1CNTL and WDT2CNTL)** are used to provide control information to the watchdog timer functions within the PHB. The fields within WDTxCNTL registers are defined as follows:

KEY **Key.** This field is used during the two step arming process of the Control register. This field is sensitive to the following data patterns:

PATTERN_1 = \$55

PATTERN_2 = \$AA

The Control register will be in the armed state if PATTERN_1 is written to the KEY field. The Control register will be changed if in the armed state and PATTERN_2 is written to the KEY field. An incorrect sequence of patterns will cause the Control register to be in the unarmed state.

A value of all zeros will always be returned within the KEY field during read cycles.

ENAB **ENAB.** This field determines whether or not the WDT is enabled. If a one is written to this bit, the timer will be enabled. A zero written to this bit will disable the timer. The ENAB bit may only be modified on the second step of a successful two step arming process.

ARM **ARMED.** This read-only bit indicates the armed state of the register. If this bit is a zero, the register is unarmed. If this bit is a one, the register is armed for a write.

RES **RESOLUTION.** This field determines the resolution of the timer. The RES field may only be modified on the second step of a successful two step arming process. The following table shows the different options associated with this bit.

RES	Timer Resolution	Approximate Max Time
0000	1 us	64 msec
0001	2 us	128 msec
0010	4 us	256 msec
0011	8 us	512 msec

RES	Timer Resolution	Approximate Max Time
0100	16 us	1 sec
0101	32 us	2 sec
0110	64 us	4 sec
0111	128 us	8 sec
1000	256 us	16 sec
1001	512 us	32 sec
1010	1024 us	1 min
1011	2048 us	2 min
1100	4096 us	4 min
1101	8192 us	8 min
1110	16,384 us	16 min
1111	32,768 us	32 min

RELOAD Reload. This field is written with a value that will be used to reload the timer. The RELOAD field may only be modified on the second step of a successful two step arming process.

Note An R206 resistor must be installed if a board reset is the result of a timeout of Watchdog Timer 2. See the attached sample for an example of PPCBug setting WDT2.

```
PPC6-Bug>md feff0068
FEFF0068 000FFFFF 0000FFFF 03FE4000
00000000 .....@.....
FEFF0078 00000000 FFFFFFFE FFFFFFFF
FFFFFFFF .....
PPC6-Bug>md feff006c
FEFF006C 0000FFFF 03FE4000 00000000
00000000 .....@.....
FEFF007C FFFFFFFE FFFFFFFF FFFFFFFF
FFFFFFFF .....
PPC6-Bug>mw feff0068 55:b
Effective address: FEFF0068
Effective data : 55
```

```
PPC6-Bug>mw feff0068 aa88;h
Effective address: FEF0068
Effective data : AA88
PPC6-Bug>md feff006c
FEF006C 0000B26D 03FE4000 00000000
00000000 ...m..@.....
FEF007C FFFFFFFE FFFFFFFF FFFFFFFF
FFFFFFF .....
PPC6-Bug>md feff006c
FEF006C 00006145 03FE4000 00000000
00000000 ..aE..@.....
FEF007C FFFFFFFE FFFFFFFF FFFFFFFF
FFFFFFF .....
PPC6-Bug>md feff0068
FEF0068 0088FFFF 00000000 03FE4000
00000000 .....@.....
FEF0078 00000000 FFFFFFFE FFFFFFFF
FFFFFFF .....
PPC6-Bug>md feff006c
FEF006C 00000000 03FE4000 00000000
00000000 .....@.....
FEF007C FFFFFFFE FFFFFFFF FFFFFFFF
FFFFFFF .....
PPC6-Bug>md feff0068
FEF0068 0088FFFF 00000000 03FE4000
00000000 .....@.....
FEF0078 00000000 FFFFFFFE FFFFFFFF
FFFFFFF .....
PPC6-Bug>
```

WDTxSTAT Registers

Address	WDT1STAT - \$FEFF0064 WDT2STAT - \$FEFF006C																															
Bit	0	1	2	3	4	5	6	7	8	9	10	11	12	13	14	15	16	17	18	19	20	21	22	23	24	25	26	27	28	29	30	31
																	WDTxSTAT															
Name																	COUNT															
Operation	R								R								R															
Reset	\$00								\$00								\$FF															

The Watchdog Timer Status Registers (**WDT1STAT** and **WDT2STAT**) are used to provide status information from the watchdog timer functions within the PHB. The field within WDTxSTAT registers is defined as follows:

COUNT **Count.** This read-only field reflects the instantaneous counter value of the WDT.

General Purpose Registers

Address	GPREG0 (Upper) - \$FEFF0070 GPREG0 (Lower) - \$FEFF0074 GPREG1 (Upper) - \$FEFF0078 GPREG1 (Lower) - \$FEFF007C																															
Bit	0	1	2	3	4	5	6	7	8	9	0	1	2	3	4	5	6	7	8	9	0	1	2	3	4	5	6	7	8	9	0	1
Name	GPREGx																															
Operation	R/W																															
Reset	\$00000000																															

The General Purpose Registers (**GPREG0**, **GPREG1**, **GPREG2**, and **GPREG3**) are provided for inter-process message passing or general purpose storage. They do not control any hardware.

PCI Registers

The PCI Configuration Registers are compliant with the configuration register set described in the PCI Local Bus Specification, Revision 2.1. The CONFIG_ADDRESS and CONFIG_DATA registers described in this section are accessed from the PPC bus within PCI I/O space.

All write operations to reserved registers will be treated as no-ops. That is, the access will be completed normally on the bus and the data will be discarded. Read accesses to reserved or unimplemented registers will be completed normally and a data value of 0 will be returned.

The PCI Configuration Register map of the PHB is shown in [Table 2-17](#). The PCI I/O Register map of the PHB is shown in [Table 2-18](#).

Table 2-17. PCI Configuration Register

3	3	2	2	2	2	2	2	2	2	2	1	1	1	1	1	1	1	1	1	0	9	8	7	6	5	4	3	2	1	0	<--- Bit
DEVID										VENID										\$00											
STATUS										COMMAND										\$04											
CLASS															REVID					\$08											
HEADER																				\$0C											
MIBAR																				\$10											
MMBAR																				\$14											
																				\$18 - \$7C											
PSADD0																				\$80											
PSOFF0															PSATT0					\$84											
PSADD1																				\$88											
PSOFF1															PSATT1					\$8C											
PSADD2																				\$90											
PSOFF2															PSATT2					\$94											
PSADD3																				\$98											
PSOFF3															PSATT3					\$9C											

Table 2-18. PCI I/O Register

3	3	2	2	2	2	2	2	2	2	2	1	1	1	1	1	1	1	1	1	1	0	9	8	7	6	5	4	3	2	1	0	<--- Bit
CONFIG_ADDRESS																												\$CF8				
CONFIG_DATA																												\$CFC				

Vendor ID/ Device ID Registers

Offset	\$00																																										
Bit	3	3	2	2	2	2	2	2	2	2	2	2	2	1	1	1	1	1	1	1	1	1	1	1	1	1	1	1	1	1	1	1	0	9	8	7	6	5	4	3	2	1	0
Name	DEVID																VENID																										
Operation	R																R																										
Reset	\$4803																\$1057																										

VENID Vendor ID. This register identifies the manufacturer of the device. This identifier is allocated by the PCI SIG to ensure uniqueness. \$1057 has been assigned to Motorola. This register is duplicated in the PPC Registers.

DEVID Device ID. This register identifies the particular device. The Hawk will always return \$4803. This register is duplicated in the PPC Registers.

PCI Command/ Status Registers

The Command Register (**COMMAND**) provides coarse control over the PHB ability to generate and respond to PCI cycles. The bits within the COMMAND register are defined as follows:

Offset	\$04																																	
Bit	31	30	29	28	27	26	25	24	23	22	21	20	19	18	17	16	15	14	13	12	11	10	9	8	7	6	5	4	3	2	1	0		
Name	STATUS																COMMAND																	
	RCVPE	SIGSE	RCVMA	RCVTA	SIGTA	SELTIM1	SELTIM0	DPAR	FAST			P66M												SERR		PERR						MSTR	MEMSP	IOSP
Operation	R/C	R/C	R/C	R/C	R/C	R	R	R/C	R	R	R	R	R	R	R	R	R	R	R	R	R	R	R	R/W	R	R/W	R	R	R	R	R/W	R/W	R/W	
Reset	0	0	0	0	0	1	0	0	1	0	1	0	0	0	0	0	0	0	0	0	0	0	0	0	0	0	0	0	0	1	0	0		

IOSP **IO Space Enable.** If set, the PHB will respond to PCI I/O accesses when appropriate. If cleared, the PHB will not respond to PCI I/O space accesses.

MEMSP **Memory Space Enable.** If set, the PHB will respond to PCI memory space accesses when appropriate. If cleared, the PHB will not respond to PCI memory space accesses.

MSTR **Bus Master Enable.** If set, the PHB may act as a master on PCI. If cleared, the PHB may not act as a PCI Master.

PERR **Parity Error Response.** If set, the PHB will check parity on all PCI transfers. If cleared, the PHB will ignore any parity errors that it detects and continue normal operation.

SERR **System Error Enable.** This bit enables the SERR_ output pin. If clear, the PHB will never drive SERR_. If set, the PHB will drive SERR_ active when a system error is detected.

The Status Register (**STATUS**) is used to record information for PCI bus related events. The bits within the STATUS register are defined as follows:

- P66M** **PCI66 MHz.** This bit indicates the PHB is capable of supporting a 66.67 MHz PCI bus.
- FAST** **Fast Back-to-Back Capable.** This bit indicates that the PHB is capable of accepting fast back-to-back transactions with different targets.
- DPAR** **Data Parity Detected.** This bit is set when three conditions are met: 1) the PHB asserted PERR_ itself or observed PERR_ asserted; 2) the PHB was the PCI Master for the transfer in which the error occurred; 3) the PERR bit in the PCI Command Register is set. This bit is cleared by writing it to 1; writing a 0 has no effect.
- SELTIM** **DEVSEL Timing.** This field indicates that the PHB will always assert DEVSEL_ as a 'medium' responder.
- SIGTA** **Signalled Target Abort.** This bit is set by the PCI Slave whenever it terminates a transaction with a target-abort. It is cleared by writing it to 1; writing a 0 has no effect.
- RCVTA** **Received Target Abort.** This bit is set by the PCI Master whenever its transaction is terminated by a target-abort. It is cleared by writing it to 1; writing a 0 has no effect.
- RCVMA** **Received Master Abort.** This bit is set by the PCI Master whenever its transaction (except for Special Cycles) is terminated by a master-abort. It is cleared by writing it to 1; writing a 0 has no effect.
- SIGSE** **Signaled System Error.** This bit is set whenever the PHB asserts SERR_. It is cleared by writing it to 1; writing a 0 has no effect.
- RCVPE** **Detected Parity Error.** This bit is set whenever the PHB detects a parity error, even if parity error checking is disabled (see bit PERR in the PCI Command Register). It is cleared by writing it to 1; writing a 0 has no effect.

Revision ID/ Class Code Registers

Offset	\$08																															
Bit	31	30	29	28	27	26	25	24	23	22	21	20	19	18	17	16	15	14	13	12	11	10	9	8	7	6	5	4	3	2	1	0
Name	CLASS																REVID															
Operation	R																R															
Reset	\$060000																\$01															

REVID **Revision ID.** This register identifies the PHB revision level. This register is duplicated in the PPC Registers.

CLASS **Class Code.** This register identifies PHB as the following:

Base Class Code \$06 PCI Bridge Device

Subclass Code \$00 PCI Host Bridge

Program Class Code \$00 Not Used

Header Type Register

Offset	\$0C																															
Bit	31	30	29	28	27	26	25	24	23	22	21	20	19	18	17	16	15	14	13	12	11	10	9	8	7	6	5	4	3	2	1	0
Name									HEADER																							
Operation	R								R								R								R							
Reset	\$00								\$00								\$00								\$00							

The Header Type Register (**Header**) identifies the PHB as the following:

Header Type: \$00 - Single Function Configuration Header

MPIC I/O Base Address Register

Offset	\$10																															
Bit	31	30	29	28	27	26	25	24	23	22	21	20	19	18	17	16	15	14	13	12	11	10	9	8	7	6	5	4	3	2	1	0
Name	MIBAR																															
	BASE																								RES	IO/MEM						
Operation	R/W																								R	R						
Reset	\$0000																								0	1						

The MPIC I/O Base Address Register (**MIBAR**) controls the mapping of the MPIC control registers in PCI I/O space.

IO/MEM IO Space Indicator. This bit is hard-wired to a logic one to indicate PCI I/O space.

RES Reserved. This bit is hard-wired to zero.

BASE Base Address. These bits define the I/O space base address of the MPIC control registers. The MIBAR decoder is disabled when the BASE value is zero.

MPIC Memory Base Address Register

Offset	\$14																															
Bit	31	30	29	28	27	26	25	24	23	22	21	20	19	18	17	16	15	14	13	12	11	10	9	8	7	6	5	4	3	2	1	0
Name	MMBAR																															
	BASE																								PRE	MTYP0	MTYP1	IO/MEM				
Operation	R/W																								R	R	R	R				
Reset	\$0000																								0	0	0	0				

The MPIC Memory Base Address Register (**MMBAR**) controls the mapping of the MPIC control registers in PCI memory space.

IO/MEM IO Space Indicator. This bit is hard-wired to a logic zero to indicate PCI memory space.

MTYPx Memory Type. These bits are hard-wired to zero to indicate that the MPIC registers can be located anywhere in the 32-bit address space.

PRE Prefetch. This bit is hard-wired to zero to indicate that the MPIC registers are not prefetchable.

BASE Base Address. These bits define the memory space base address of the MPIC control registers. The MBASE decoder is disabled when the BASE value is zero.

PCI Slave Address (0,1,2, and 3) Registers

Offset	PSADD0 - \$80 PSADD1 - \$88 PSADD2 - \$90 PSADD3 - \$98																															
Bit	3 1	3 0	2 9	2 8	2 7	2 6	2 5	2 4	2 3	2 2	2 1	1 0	1 9	1 8	1 7	1 6	1 5	1 4	1 3	1 2	1 1	1 0	9	8	7	6	5	4	3	2	1	0
Name	PSADD _x																															
	START																END															
Operation	R/W																R/W															
Reset	\$0000																\$0000															

The PCI Slave Address Registers (**PSADDx**) contain address information associated with the mapping of PCI memory space to PPC memory space. The fields within the PSADDx registers are defined as follows:

START Start Address. This field determines the start address of a particular memory area on the PCI bus which will be used to access PPC bus resources. The value of this field will be compared with the upper 16 bits of the incoming PCI address.

END End Address. This field determines the end address of a particular memory area on the PCI bus which will be used to access PPC bus resources. The value of this field will be compared with the upper 16 bits of the incoming PCI address.

PCI Slave Attribute/ Offset (0,1,2 and 3) Registers

Offset	PSOFF0/PSATT0 - \$84 PSOFF1/PSATT1 - \$8C PSOFF2/PSATT2 - \$94 PSOFF3/PSATT3 - \$9C																																																
Bit	31	30	29	28	27	26	25	24	23	22	21	20	19	18	17	16	15	14	13	12	11	10	9	8	7	6	5	4	3	2	1	0																	
Name	PSOFFx																PSATTx																																
																	WXFT1	WXFT0					RXFT1	RXFT0	RMFT1	RMFT0	REN	REN	WEN	WEN	RAEN				GBL	INV													
Operation	R/W																R/W	R/W	R	R			R/W	R/W	R/W	R/W	R/w	R/W	R/W	R/W	R/W	R	R			R/W	R/W												
Reset	\$0000																1	0	0	0			1	0	1	0	0	0	0	0	0	0	0	0	0	0	0	0	0	0	0	0	0	0	0	0	0	0	0

The PCI Slave Attribute Registers (PSATTx) contain attribute information associated with the mapping of PCI memory space to PPC memory space. The fields within the PSATTx registers are defined as follows:

- INV** **Invalidate Enable.** If set, the PPC Master will issue a transfer type code which specifies the current transaction should cause an invalidate for each PPC transaction originated by the corresponding PCI Slave. The transfer type codes generated are shown in [Table 2-5 on page 2-14](#).
- GBL** **Global Enable.** If set, the PPC Master will assert the GBL_ pin for each PPC transaction originated by the corresponding PCI Slave.
- RAEN** **Read Ahead Enable.** If set, read ahead is enabled for the corresponding PCI Slave.
- WPEN** **Write Post Enable.** If set, write posting is enabled for the corresponding PCI Slave.
- WEN** **Write Enable.** If set, the corresponding PCI Slave is enabled for write transactions.
- REN** **Read Enable.** If set, the corresponding PCI Slave is enabled for read transactions.
- RMFTx** **Read Multiple FIFO Threshold.** This field is used by the PHB to determine a FIFO threshold at which to continue prefetching data from local memory during PCI read multiple transactions. This threshold applies to subsequent prefetch reads since all initial prefetch reads will be four cache lines. This field is only applicable if read-ahead has been enabled. The encoding of this field is shown in the table below.

RMFT/RXFT	Subsequent Prefetch FIFO Threshold
00	0 Cache lines
01	1 Cache line
10	2 Cache lines
11	3 Cache lines

- RXFTx** **Read Any FIFO Threshold.** This field is used by the PHB to determine a FIFO threshold at which to continue prefetching data from local memory during PCI read and read line transactions. This threshold applies to subsequent prefetch reads since all initial prefetch reads

will be four cache lines. This field is only applicable if read-ahead has been enabled. The encoding of this field is shown in the table above.

WXFT	Write FIFO Threshold
00	4 Cache lines
01	3 Cache lines
10	2 Cache lines
11	1 Cache lines

WXFT_x **Write Any FIFO Threshold.** This field is used by the PHB to determine a FIFO threshold at which to start writing data into local memory during any PCI write transaction. Once the threshold is exceeded and the write has begun, the PHB will continue to empty its FIFO until it can no longer create a cache line. This field is only applicable if write-posting has been enabled. The encoding of this field is shown in the above table.

The PCI Slave Offset Registers (**PSOFF_x**) contain offset information associated with the mapping of PCI memory space to PPC memory space. The field within the PSOFF_x registers is defined as follows:

PSOFF_x **PCI Slave Offset.** This register contains a 16-bit offset that is added to the upper 16 bits of the PCI address to determine the PPC address used for transfers from PCI to the PPC bus. This offset allows PPC resources to reside at addresses that would not normally be visible from PCI.

CONFIG_ADDRESS Register

The description of the CONFIG_ADDRESS register is presented in three perspectives: from the PCI bus, from the PPC bus in big-endian mode, and from the PPC bus in little-endian mode. Note that the view from the PCI bus is purely conceptual, since there is no way to access the CONFIG_ADDRESS register from the PCI bus.

Conceptual perspective from the PCI bus:

Offset	\$CFB								\$CFA							\$CF9							\$CF8																	
Bit	3	3	2	2	2	2	2	2	2	2	2	2	1	1	1	1	1	1	1	1	1	1	1	1	1	1	1	1	1	1	1	1	7	6	5	4	3	2	1	0
Name	CONFIG_ADDRESS																																							
	EN								BUS							DEV			FUN	REG																				
Operation	R/W	R							R/W							R/W			R/W	R/W							R	R												
Reset	1	\$00							\$00							\$00			\$0	\$00							0	0												

Perspective from the PPC bus in Big Endian mode:

Offset	\$CF8								\$CF9								\$CFA								\$CFB											
Bit (DH)	0	1	2	3	4	5	6	7	8	9	0	1	2	3	4	5	6	7	8	9	0	1	2	2	2	2	2	2	2	2	2	2	2	2	3	3
Name	CONFIG_ADDRESS																																			
	REG								DEV				FUN				BUS							EN												
Operation	R/W							R	R	R/W				R/W				R/W							R/W	R										
Reset	\$00							0	0	\$00				\$0				\$00							1	\$00										

Perspective from the PPC bus in Little Endian mode:

Offset	\$CFC								\$CFD								\$CFE								\$CFF										
Bit (DL)	0	1	2	3	4	5	6	7	8	9	0	1	2	3	4	5	6	7	8	9	0	1	2	2	2	2	2	2	2	2	2	2	2	3	3
Name	CONFIG_ADDRESS																																		
	EN								BUS							DEV			FUN	REG															
Operation	R/W	R							R/W							R/W			R/W	R/W							R	R							
Reset	1	\$00							\$00							\$00			\$0	\$00							0	0							

The register fields are defined as follows:

- REG** **Register Number.** Configuration Cycles: Identifies a target double word within a target's configuration space. This field is copied to the PCI AD bus during the address phase of a Configuration cycle.
Special Cycles: This field must be written with all zeros.
- FUN** **Function Number.** Configuration Cycles: Identifies a function number within a target's configuration space. This field is copied to the PCI AD bus during the address phase of a Configuration cycle.
Special Cycles: This field must be written with all ones.
- DEV** **Device Number.** Configuration Cycles: Identifies a target's physical PCI device number. Refer to the section on *Generating PCI Cycles* for a description of how this field is encoded.
Special Cycles: This field must be written with all ones.
- BUS** **Bus Number.** Configuration Cycles: Identifies a targeted bus number. If written with all zeros, a Type 0 Configuration Cycle will be generated. If written with any value other than all zeros, then a Type 1 Configuration Cycle will be generated.
Special Cycles: Identifies a targeted bus number. If written with all zeros, a Special Cycle will be generated. If written with any value other than all zeros, then a Special Cycle translated into a Type 1 Configuration Cycle will be generated.
- EN** **Enable.** Configuration Cycles: Writing a one to this bit enables CONFIG_DATA to Configuration Cycle translation. If this bit is a zero, subsequent accesses to CONFIG_DATA will be passed though as I/O Cycles.
Special Cycles: Writing a one to this bit enables CONFIG_DATA to Special Cycle translation. If this bit is a zero, subsequent accesses to CONFIG_DATA will be passed though as I/O Cycles.

CONFIG_DATA Register

The description of the CONFIG_DATA register is also presented in three perspectives; from the PCI bus, from the PPC bus in Big Endian mode, and from the PPC bus in Little Endian mode. Note that the view from the PCI bus is purely conceptual, since there is no way to access the CONFIG_DATA register from the PCI bus. Conceptual perspective from the PCI bus:

Offset	\$CFF								\$CFE								\$CFD								\$CFC								
Bit	3	3	2	2	2	2	2	2	2	2	2	2	1	1	1	1	1	1	1	1	1	1	1	1	1	7	6	5	4	3	2	1	0
	1	0	9	8	7	6	5	4	3	2	1	0	9	8	7	6	5	4	3	2	1	0	9	8	7	6	5	4	3	2	1	0	
Name	CONFIG_DATA																																
	Data 'D'								Data 'C'								Data 'B'								Data 'A'								
Operation	R/W								R/W								R/W								R/W								
Reset	n/a								n/a								n/a								n/a								

Perspective from the PPC bus in Big Endian mode:

Offset	\$CFC								\$CFD								\$CFE								\$CFF							
Bit (DL)	0	1	2	3	4	5	6	7	8	9	0	1	2	3	4	5	6	7	8	9	0	1	2	3	4	5	6	7	8	9	0	1
	0	1	2	3	4	5	6	7	8	9	0	1	2	3	4	5	6	7	8	9	0	1	2	3	4	5	6	7	8	9	0	1
Name	CONFIG_DATA																															
	Data 'A'								Data 'B'								Data 'C'								Data 'D'							
Operation	R/W								R/W								R/W								R/W							
Reset	n/a								n/a								n/a								n/a							

Perspective from the PPC bus in Little Endian mode:

Offset	\$CF8								\$CF9								\$CFA								\$CFB							
Bit (DH)	0	1	2	3	4	5	6	7	8	9	0	1	2	3	4	5	6	7	8	9	0	1	2	3	4	5	6	7	8	9	0	1
	0	1	2	3	4	5	6	7	8	9	0	1	2	3	4	5	6	7	8	9	0	1	2	3	4	5	6	7	8	9	0	1
Name	CONFIG_DATA																															
	Data 'D'								Data 'C'								Data 'B'								Data 'A'							
Operation	R/W								R/W								R/W								R/W							
Reset	n/a								n/a								n/a								n/a							

MPIC Registers

The following conventions are used in the Hawk register charts:

- ❑ R - Read Only field.
- ❑ R/W - Read/Write field.
- ❑ S - Writing a ONE to this field sets this field.
- ❑ C - Writing a ONE to this field clears this field.

MPIC Registers

The MPIC register map is shown in [Table 2-19](#). The "Off" field is the address offset from the base address of the MPIC registers in the PPC-IO or PPC-Memory space. Note that this map does not depict linear addressing. The PCI-SLAVE of the PHB has two decoders for generating the MPIC select. These decoders will generate a select and acknowledge all accesses which are in a reserved 256K byte range. If the index into that 256K block does not decode a valid MPIC register address, the logic will return \$00000000.

The registers are 8, 16, or 32 bits accessible.

Table 2-19. MPIC Register Map

3	3	2	2	2	2	2	2	2	2	2	1	1	1	1	1	1	1	1	1	1	9	8	7	6	5	4	3	2	1	0	Off
FEATURE REPORTING REGISTER 0																														\$01000	
GLOBAL CONFIGURATION REGISTER 0																														\$01020	
MPIC VENDOR IDENTIFICATION REGISTER																														\$01080	
PROCESSOR INIT REGISTER																														\$01090	
IPI0 VECTOR-PRIORITY REGISTER																														\$010a0	
IPI1 VECTOR-PRIORITY REGISTER																														\$010b0	
IPI2 VECTOR-PRIORITY REGISTER																														\$010c0	
IPI3 VECTOR-PRIORITY REGISTER																														\$010d0	

Table 2-19. MPIC Register Map (Continued)

3	3	2	2	2	2	2	2	2	2	1	1	1	1	1	1	1	1	1	1	0	9	8	7	6	5	4	3	2	1	0	Off
																								SP REGISTER				\$010e0			
TIMER FREQUENCY REPORTING REGISTER																								\$010f0							
TIMER 0 CURRENT COUNT REGISTER																								\$01100							
TIMER 0 BASE COUNT REGISTER																								\$01110							
TIMER 0 VECTOR-PRIORITY REGISTER																								\$01120							
TIMER 0 DESTINATION REGISTER																								\$01130							
TIMER 1 CURRENT COUNT REGISTER																								\$01140							
TIMER 1 BASE COUNT REGISTER																								\$01150							
TIMER 1 VECTOR-PRIORITY REGISTER																								\$01160							
TIMER 1 DESTINATION REGISTER																								\$01170							
TIMER 2 CURRENT COUNT REGISTER																								\$01180							
TIMER 2 BASE COUNT REGISTER																								\$01190							
TIMER 2 VECTOR-PRIORITY REGISTER																								\$011a0							
TIMER 2 DESTINATION REGISTER																								\$011b0							
TIMER 3 CURRENT COUNT REGISTER																								\$011c0							
TIMER 3 BASE COUNT REGISTER																								\$011d0							
TIMER 3 VECTOR-PRIORITY REGISTER																								\$011e0							
TIMER 3 DESTINATION REGISTER																								\$011f0							
INT. SRC. 0 VECTOR-PRIORITY REGISTER																								\$10000							
INT. SRC. 0 DESTINATION REGISTER																								\$10010							
INT. SRC. 1 VECTOR-PRIORITY REGISTER																								\$10020							
INT. SRC. 1 DESTINATION REGISTER																								\$10030							
INT. SRC. 2 VECTOR-PRIORITY REGISTER																								\$10040							
INT. SRC. 2 DESTINATION REGISTER																								\$10050							
INT. SRC. 3 VECTOR-PRIORITY REGISTER																								\$10060							
INT. SRC. 3 DESTINATION REGISTER																								\$10070							
INT. SRC. 4 VECTOR-PRIORITY REGISTER																								\$10080							
INT. SRC. 4 DESTINATION REGISTER																								\$10090							

Table 2-19. MPIC Register Map (Continued)

3 1	3 0	2 9	2 8	2 7	2 6	2 5	2 4	2 3	2 2	2 1	1 0	1 9	1 8	1 7	1 6	1 5	1 4	1 3	1 2	1 1	1 0	9	8	7	6	5	4	3	2	1	0	Off
INT. SRC. 5 VECTOR-PRIORITY REGISTER																															\$100a0	
INT. SRC. 5 DESTINATION REGISTER																															\$100b0	
INT. SRC. 6 VECTOR-PRIORITY REGISTER																															\$100c0	
INT. SRC. 6 DESTINATION REGISTER																															\$100d0	
INT. SRC. 7 VECTOR-PRIORITY REGISTER																															\$100e0	
INT. SRC. 7 DESTINATION REGISTER																															\$100f0	
INT. SRC. 8 VECTOR-PRIORITY REGISTER																															\$10100	
INT. SRC. 8 DESTINATION REGISTER																															\$10110	
INT. SRC. 9 VECTOR-PRIORITY REGISTER																															\$10120	
INT. SRC. 9 DESTINATION REGISTER																															\$10130	
INT. SRC. 10 VECTOR-PRIORITY REGISTER																															\$10140	
INT. SRC. 10 DESTINATION REGISTER																															\$10150	
INT. SRC. 11 VECTOR-PRIORITY REGISTER																															\$10160	
INT. SRC. 11 DESTINATION REGISTER																															\$10170	
INT. SRC. 12 VECTOR-PRIORITY REGISTER																															\$10180	
INT. SRC. 12 DESTINATION REGISTER																															\$10190	
INT. SRC. 13 VECTOR-PRIORITY REGISTER																															\$101a0	
INT. SRC. 13 DESTINATION REGISTER																															\$101b0	
INT. SRC. 14 VECTOR-PRIORITY REGISTER																															\$101c0	
INT. SRC. 14 DESTINATION REGISTER																															\$101d0	
INT. SRC. 15 VECTOR-PRIORITY REGISTER																															\$101e0	
INT. SRC. 15 DESTINATION REGISTER																															\$101f0	
HAWK INTERNAL ERROR VECTOR-PRIORITY REGISTER																															\$10200	
HAWK INTERNAL ERROR DESTINATION REGISTER																															\$10210	
IPI 0 DISPATCH REGISTER PROC. 0																															\$20040	
IPI 1 DISPATCH REGISTER PROC. 0																															\$20050	
IPI 2 DISPATCH REGISTER PROC. 0																															\$20060	

Table 2-19. MPIC Register Map (Continued)

3	3	2	2	2	2	2	2	2	2	2	1	1	1	1	1	1	1	1	1	1	0	9	8	7	6	5	4	3	2	1	0	Off
IPI 3 DISPATCH REGISTER PROC. 0																														\$20070		
CURRENT TASK PRIORITY REGISTER PROC. 0																														\$20080		
																														IACK REGISTER P0	\$200a0	
																														EOI REGISTER P0	\$200b0	
IPI 0 DISPATCH REGISTER PROC. 1																														\$21040		
IPI 1 DISPATCH REGISTER PROC. 1																														\$21050		
IPI 2 DISPATCH REGISTER PROC. 1																														\$21060		
IPI 3 DISPATCH REGISTER PROC. 1																														\$21070		
CURRENT TASK PRIORITY REGISTER PROC. 1																														\$21080		
																														IACK REGISTER P1	\$210a0	
																														EOI REGISTER P1	\$210b0	

Feature Reporting Register

Offset	\$01000																															
Bit	3	3	2	2	2	2	2	2	2	2	2	2	2	1	1	1	1	1	1	1	1	1	1	1	1	1	1	1	1	1	0	
	1	0	9	8	7	6	5	4	3	2	1	0	9	8	7	6	5	4	3	2	1	0	9	8	7	6	5	4	3	2	1	0
Name	FEATURE REPORTING																															
	NIRQ										NCPU					VID																
Operation	R			R										R					R													
Reset	\$0			\$00F										\$0					\$01					\$03								

- NIRQ** **NUMBER OF IRQs.** The number of the highest external IRQ source supported. The IPI, Timer, and PHB Detected Error interrupts are excluded from this count.
- NCPU** **NUMBER OF CPUs.** The number of the highest physical CPU supported. There are two CPUs supported by this design. CPU #0 and CPU #1.
- VID** **VERSION ID.** Version ID for this interrupt controller. This value reports what level of the specification is supported by this implementation. Version level of 02 is used for the initial release of the MPIC specification.

Global Configuration Register

Offset	\$01020																															
Bit	31	30	29	28	27	26	25	24	23	22	21	20	19	18	17	16	15	14	13	12	11	10	9	8	7	6	5	4	3	2	1	0
Name	GLOBAL CONFIGURATION																															
	RESET	EINTT	M	TIE																												
Operation	C	R	RW	RW	R	R				R				R				R														
Reset	0	0	0	0	\$00	\$00				\$00				\$00				\$00														

- RESET** **RESET CONTROLLER.** Writing a one to this bit forces the controller logic to be reset. This bit is cleared automatically when the reset sequence is complete. While this bit is set, the values of all other register are undefined.
- EINTT** **External Interrupt Type.** This read only bit indicates the external interrupt type: serial or parallel mode. When this bit is set MPIC is in serial mode for external interrupts 0 through 15. When this bit is cleared MPIC is in parallel mode for external interrupts.

M **CASCADE MODE.** Allows cascading of an external 8259 pair connected to the first interrupt source input pin (0). In the pass through mode, interrupt source 0 is passed directly through to the processor 0 INT pin. MPIC is essentially disabled. In the mixed mode, 8259 interrupts are delivered using the priority and distribution mechanism of the MPIC. The Vector/Priority and Destination registers for interrupt source 0 are used to control the delivery mode for all 8259 generated interrupt sources.

Table 2-20. Cascade Mode Encoding

M	Mode
0	Pass Through
1	Mixed

TIE **Tie Mode.** Writing a one to this register bit will cause a tie in external interrupt processing to swap back and forth between processor 0 and 1. The first tie in external interrupt processing always goes to Processor 0 after a reset. When this register bit is set to 0, a tie in external interrupt processing will always go to processor 0 (Mode used on Version \$02 of MPIC).

Table 2-21. Tie Mode Encoding

T	Mode
0	Processor 0 always selected
1	Swap between Processor's

Vendor Identification Register

Offset	\$01080																															
Bit	31	30	29	28	27	26	25	24	23	22	21	20	19	18	17	16	15	14	13	12	11	10	9	8	7	6	5	4	3	2	1	0
Name	VENDOR IDENTIFICATION																															
									STP																							
Operation	R								R								R								R							
Reset	\$00								\$00								\$00								\$00							

There are two fields in the Vendor Identification Register which are not defined for the MPIC implementation but are defined in the MPIC specification. They are the vendor identification and device ID fields.

STP **STEPPING.** The stepping or silicon revision number of Hawk's MPIC.

Processor Init Register

Offset	\$01090																																	
Bit	31	30	29	28	27	26	25	24	23	22	21	20	19	18	17	16	15	14	13	12	11	10	9	8	7	6	5	4	3	2	1	0		
Name	PROCESSOR INIT																																	
																																	P1	P0
Operation	R								R								R								R								R/W	R/W
Reset	\$00								\$00								\$00								\$00								0	0

P1 **PROCESSOR 1.** Writing a 1 to P1 will assert the Soft Reset input of processor 1. Writing a 0 to it will negate the SRESET signal.

P0 **PROCESSOR 0.** Writing a 1 to P0 will assert the Soft Reset input of processor 0. Writing a 0 to it will negate the SRESET signal.

The Soft Reset input to the 604 is negative edge-sensitive.

IPI Vector/Priority Registers

Offset	IPI 0 - \$010A0 IPI 1 - \$010B0 IPI 2 - \$010C0 IPI 3 - \$010D0																															
Bit	3 1	3 0	2 9	2 8	2 7	2 6	2 5	2 4	2 3	2 2	2 1	1 0	1 9	1 8	1 7	1 6	1 5	1 4	1 3	1 2	1 1	1 0	9	8	7	6	5	4	3	2	1	0
Name	IPI VECTOR/PRIORITY																															
	MASK	ACT											PRIOR											VECTOR								
Operation	R/W	R	R										R/W	R										R/W								
Reset	1	0	\$000										\$0	\$00										\$00								

MASK **MASK.** Setting this bit disables any further interrupts from this source. If the mask bit is cleared while the bit associated with this interrupt is set in the IPR, the interrupt request will be generated.

ACT **ACTIVITY.** The activity bit indicates that an interrupt has been requested or that it is in-service. The ACT bit is set to a one when its associated bit in the Interrupt Pending Register or In-Service Register is set.

PRIOR **PRIORITY.** Interrupt priority 0 is the lowest and 15 is the highest. Note that a priority level of 0 will not enable interrupts.

VECTOR **VECTOR.** This vector is returned when the Interrupt Acknowledge register is examined during a request for the interrupt associated with this vector.

Spurious Vector Register

Offset	\$010E0																															
Bit	31	30	29	28	27	26	25	24	23	22	21	20	19	18	17	16	15	14	13	12	11	10	9	8	7	6	5	4	3	2	1	0
Name																									VECTOR							
Operation	R								R								R								R/W							
Reset	\$00								\$00								\$00								\$FF							

VECTOR This vector is returned when the Interrupt Acknowledge register is read during a spurious vector fetch.

Timer Frequency Register

Offset	\$010F0																															
Bit	31	30	29	28	27	26	25	24	23	22	21	20	19	18	17	16	15	14	13	12	11	10	9	8	7	6	5	4	3	2	1	0
Name	TIMER FREQUENCY																															
Operation	R/W																															
Reset	\$00000000																															

This register is used to report the frequency (in Hz) of the clock source for the global timers. Following reset, this register contains zero. The system initialization code must initialize this register to one-eighth the MPIC clock frequency. For the PHB implementation of the MPIC, a typical value would be \$7de290 (which is 66/8 MHz or 8.25 MHz).

Timer Current Count Registers

Offset	Timer 0 - \$01100 Timer 1 - \$01140 Timer 2 - \$01180 Timer 3 - \$011C0																																									
Bit	3	3	2	2	2	2	2	2	2	2	2	2	2	1	1	1	1	1	1	1	1	1	1	1	1	1	1	1	1	1	1	1	1	1	1							
	1	0	9	8	7	6	5	4	3	2	1	0	9	8	7	6	5	4	3	2	1	0	9	8	7	6	5	4	3	2	1	0	9	8	7	6	5	4	3	2	1	0
Name	TIMER CURRENT COUNT																																									
	T	CC																																								
Operation	R	R																																								
Reset	0	\$00000000																																								

T TOGGLE. This bit toggles whenever the current count decrements to zero. The bit is cleared when a value is written into the corresponding base register and the CI bit of the corresponding base register transitions from a 1 to a 0.

CC CURRENT COUNT. The current count field decrements while the Count Inhibit bit is the Base Count Register is zero. When the timer counts down to zero, the Current Count register is reloaded from the Base Count register and the timer’s interrupt becomes pending in MPIC processing.

Timer Basecount Registers

Offset	Timer 0 - \$01110 Timer 1 - \$01150 Timer 2 - \$01190 Timer 3 - \$011D0																															
Bit	31	30	29	28	27	26	25	24	23	22	21	20	19	18	17	16	15	14	13	12	11	10	9	8	7	6	5	4	3	2	1	0
Name	TIMER BASECOUNT																															
	CI	BC																														
Operation	R/W	R/W																														
Reset	1	\$00000000																														

CI **COUNT INHIBIT.** Setting this bit to one inhibits counting for this timer. Setting this bit to zero allows counting to proceed.

BC **BASE COUNT.** This field contains the 31 bit count for this timer. When a value is written into this register and the CI bit transitions from a 1 to a 0, it is copied into the corresponding Current Count register and the toggle bit in the Current Count register is cleared. When the timer counts down to zero, the Current Count register is reloaded from the Base Count register and the timer's interrupt becomes pending in MPIC processing.

Timer Vector/Priority Registers

Offset	Timer 0 - \$01120 Timer 1 - \$01160 Timer 2 - \$011A0 Timer 3 - \$011E0																															
Bit	3 1	3 0	2 9	2 8	2 7	2 6	2 5	2 4	2 3	2 2	2 1	2 0	1 9	1 8	1 7	1 6	1 5	1 4	1 3	1 2	1 1	1 0	9 8	8 7	7 6	6 5	5 4	4 3	3 2	2 1	1 0	
Name	TIMER VECTOR/PRIORITY																															
	MASK	ACT											PRIOR											VECTOR								
Operation	R/W	R	R										R/W	R										R/W								
Reset	1	0	\$000										\$0	\$00										\$00								

MASK **MASK.** Setting this bit disables any further interrupts from this source. If the mask bit is cleared while the bit associated with this interrupt is set in the IPR, the interrupt request will be generated.

ACT **ACTIVITY.** The activity bit indicates that an interrupt has been requested or that it is in-service. The ACT bit is set to a one when its associated bit in the Interrupt Pending Register or In-Service Register is set.

PRIOR **PRIORITY.** Interrupt priority 0 is the lowest and 15 is the highest. Note that a priority level of 0 will not enable interrupts.

VECTOR **VECTOR.** This vector is returned when the Interrupt Acknowledge register is examined upon acknowledgment of the interrupt associated with this vector.

Timer Destination Registers

Offset	Timer 0 - \$01130 Timer 1 - \$01170 Timer 2 - \$011B0 Timer 3 - \$011F0																																	
Bit	31	30	29	28	27	26	25	24	23	22	21	20	19	18	17	16	15	14	13	12	11	10	9	8	7	6	5	4	3	2	1	0		
Name	TIMER DESTINATION																																	
Operation	R								R								R								R								P1	P0
Reset	\$00								\$00								\$00								\$00								0	0

This register indicates the destinations for this timer’s interrupts. Timer interrupts operate in the Directed delivery interrupt mode. This register may specify multiple destinations (multicast delivery).

P1 **PROCESSOR 1.** The interrupt is directed to processor 1.

P0 **PROCESSOR 0.** The interrupt is directed to processor 0.

External Source Vector/Priority Registers

Offset	Int Src 0 - \$10000 Int Src 1-> Int Src 15 - \$10020 -> \$101E0																															
Bit	31	30	29	28	27	26	25	24	23	22	21	20	19	18	17	16	15	14	13	12	11	10	9	8	7	6	5	4	3	2	1	0
Name	EXTERNAL SOURCE VECTOR/PRIORITY																															
	MASK	ACT									POL	SENSE			PRIOR								VECTOR									
Operation	R/W	R	R								R/W	R/W	R	R	R/W	R								R/W								
Reset	1	0	\$000								0	0	0	0	\$0	\$00								\$00								

- MASK** **MASK.** Setting this bit disables any further interrupts from this source. If the mask bit is cleared while the bit associated with this interrupt is set in the IPR, the interrupt request will be generated.
- ACT** **ACTIVITY.** The activity bit indicates that an interrupt has been requested or that it is in-service. The ACT bit is set to a one when its associated bit in the Interrupt Pending Register or In-Service Register is set.
- POL** **POLARITY.** This bit sets the polarity for external interrupts. Setting this bit to zero enables active low or negative-edge. Setting this bit to one enables active high or positive-edge. Only External Interrupt Source 0 uses this bit in this register. For external interrupts 1 through 15, this bit is hard-wired to 0.
- SENSE** **SENSE.** This bit sets the sense for external interrupts. Setting this bit to zero enables edge sensitive interrupts. Setting this bit to one enables level sensitive interrupts. For external interrupt sources 1 through 15, setting this bit to zero enables positive edge triggered interrupts. Setting this bit to one enables active low level triggered interrupts.
- PRIOR** **PRIORITY.** Interrupt priority 0 is the lowest and 15 is the highest. Note that a priority level of 0 will not enable interrupts.
- VECTOR** **VECTOR.** This vector is returned when the Interrupt Acknowledge register is examined upon acknowledgment of the interrupt associated with this vector.

2

External Source Destination Registers

Offset	Int Src 0 - \$10010 Int Src 1-> Int Src 15 - \$10030 -> \$101F0																																	
Bit	31	30	29	28	27	26	25	24	23	22	21	20	19	18	17	16	15	14	13	12	11	10	9	8	7	6	5	4	3	2	1	0		
Name	EXTERNAL SOURCE DESTINATION																																	
																																	P1	P0
Operation	R								R								R								R								R/W	R/W
Reset	\$00								\$00								\$00								\$00								0	0

This register indicates the possible destinations for the external interrupt sources. These interrupts operate in the Distributed interrupt delivery mode.

P1 **PROCESSOR 1.** The interrupt is pointed to processor 1.

P0 **PROCESSOR 0.** The interrupt is pointed to processor 0.

Hawk Internal Error Interrupt Vector/Priority Register

Offset	\$10200																															
Bit	3	3	2	2	2	2	2	2	2	2	2	1	1	1	1	1	1	1	1	1	1	1	1	1	1	1	1	1	1	1	1	
	1	0	9	8	7	6	5	4	3	2	1	0	9	8	7	6	5	4	3	2	1	0	9	8	7	6	5	4	3	2	1	0
Name	HAWK INTERNAL ERROR INTERRUPT VECTOR/PRIORITY																															
	MASK	ACT									SENSE	PRIOR				VECTOR																
Operation	R/W	R	R								R	R	R	R	R/W	R								R/W								
Reset	1	0	\$000								0	1	0	0	\$0	\$00								\$00								

MASK **MASK.** Setting this bit disables any further interrupts from this source. If the mask bit is cleared, while the bit associated with this interrupt is set in the IPR, the interrupt request will be generated.

ACT **ACTIVITY.** The activity bit indicates that an interrupt has been requested or that it is in-service. The ACT bit is set to one when its associated bit in the Interrupt Pending Register or In-Service Register is set.

SENSE **SENSE.** This bit sets the sense for Hawk's internal error interrupt. It is hardwired to 1 to enable active low level sensitive interrupts.

PRIOR **PRIORITY.** Interrupt priority 0 is the lowest and 15 is the highest. Note that a priority level of 0 will not enable interrupts.

VECTOR **VECTOR.** This vector is returned when the Interrupt Acknowledge register is examined upon acknowledgment of the interrupt associated with this vector.

Hawk Internal Error Interrupt Destination Register

Offset	\$10210																															
Bit	3 1	3 0	2 9	2 8	2 7	2 6	2 5	2 4	2 3	2 2	2 1	1 0	1 9	1 8	1 7	1 6	1 5	1 4	1 3	1 2	1 1	1 0	9	8	7	6	5	4	3	2	1	0
Name	HAWK INTERNAL ERROR INTERRUPT DESTINATION																															
																									P1	P0						
Operation	R						R						R						R						R/W	R/W						
Reset	\$00						\$00						\$00						\$00						0	0						

This register indicates the possible destinations for the Hawk internal error interrupt source. These interrupts operate in the Distributed interrupt delivery mode.

P1 **PROCESSOR 1.** The interrupt is pointed to processor 1.

P0 **PROCESSOR 0.** The interrupt is pointed to processor 0.

Interprocessor Interrupt Dispatch Registers

Offset	Processor 0 \$20040, \$20050, \$20060, \$20070 Processor 1 \$21040, \$21050, \$21060, \$21070																															
Bit	3 1	3 0	2 9	2 8	2 7	2 6	2 5	2 4	2 3	2 2	2 1	1 0	1 9	1 8	1 7	1 6	1 5	1 4	1 3	1 2	1 1	1 0	9	8	7	6	5	4	3	2	1	0
Name	IPI DISPATCH																															
																									P1	P0						
Operation	R						R						R						R						R/W	R/W						
Reset	\$00						\$00						\$00						\$00						0	0						

There are four Interprocessor Interrupt Dispatch Registers. Writing to an IPI Dispatch Register with the P0 and/or P1 bit set causes an interprocessor interrupt request to be sent to one or more processors. Note that each IPI Dispatch Register has two addresses. These registers are considered to be per processor registers and there is one address per processor. Reading these registers returns zeros.

P1 **PROCESSOR 1.** The interrupt is directed to processor 1.

P0 **PROCESSOR 0.** The interrupt is directed to processor 0.

Current Task Priority Registers

Offset	Processor 0 \$20080																Processor 1 \$21080																
Bit	3	3	2	2	2	2	2	2	2	2	2	2	1	1	1	1	1	1	1	1	1	0	9	8	7	6	5	4	3	2	1	0	
Name	CURRENT TASK PRIORITY																																
Operation	R								R								R								R								TP
Reset	\$00								\$00								\$00								\$0								\$F

There is one Task Priority Register per processor. Priority levels from 0 (lowest) to 15 (highest) are supported. Setting the Task Priority Register to 15 masks all interrupts to this processor. Hardware will set the task register to \$F when it is reset or when the Init bit associated with this processor is written to a one.

TP **Task Priority** of processor.

Interrupt Acknowledge Registers

Offset	Processor 0 \$200A0																Processor 1 \$210A0															
Bit	3	3	2	2	2	2	2	2	2	2	2	2	1	1	1	1	1	1	1	1	1	0	9	8	7	6	5	4	3	2	1	0
Name																									VECTOR							
Operation	R								R								R								R							
Reset	\$00								\$00								\$00								\$FF							

On PowerPC-based systems, Interrupt Acknowledge is implemented as a read request to a memory-mapped Interrupt Acknowledge register. Reading the Interrupt Acknowledge register returns the interrupt vector corresponding to the highest priority pending interrupt. Reading this register also has the following side effects. Reading this register without a pending interrupt will return a value of \$FF hex.

- ❑ The associated bit in the Interrupt Pending Register is cleared.
- ❑ Reading this register will update the In-Service register.

VECTOR **Vector.** This vector is returned when the Interrupt Acknowledge register is read.

End-of-Interrupt Registers

Offset	Processor 0 \$200B0																																Processor 1 \$210B0																															
Bit	31	30	29	28	27	26	25	24	23	22	21	20	19	18	17	16	15	14	13	12	11	10	9	8	7	6	5	4	3	2	1	0	31	30	29	28	27	26	25	24	23	22	21	20	19	18	17	16	15	14	13	12	11	10	9	8	7	6	5	4	3	2	1	0
Name																																	EOI																															
Operation	R								R								R								R								W																															
Reset	\$00								\$00								\$00								\$0								\$0																															

EOI **END OF INTERRUPT.** There is one EOI register per processor. EOI Code values other than 0 are currently undefined. Data values written to this register are ignored; zero is assumed. Writing to this register signals the end of processing for the highest priority interrupt currently in service by the associated processor. The write operation will update the In-Service register by retiring the highest priority interrupt. Reading this register returns zeros.

System Memory Controller (SMC)

3

Introduction

The SMC in the Hawk ASIC is equivalent to the former Falcon Pair portion of a Falcon/Raven chipset. The SMC has interfaces between the PPC60x bus and SDRAM, ROM/Flash, and its Control and Status Register sets (CSR). Note that the term SDRAM refers to Synchronous Dynamic Random Access Memory and is used throughout this document.

Overview

This chapter provides a functional description and programming model for the SMC portion of the Hawk. Most of the information for using the device in a system, programming it in a system, and testing it, is contained here.

Bit Ordering Convention

All SMC based signals are named using Big-Endian bit ordering (bit 0 is the most significant bit), except for the RA signals, which use Little-Endian bit ordering (bit 0 is the least significant bit).

Features

- SDRAM Interface
 - Double-bit error detect/Single-bit error correct on 72-bit basis.
 - Two blocks with up to 256MB each at 100 MHz.
 - Eight blocks with up to 256MB each at 66.67 MHz
 - Uses -8, -10, or PC100 SDRAMs
 - Programmable base address for each block.
 - Built-in Refresh/Scrub.
- Error Notification for SDRAM
 - Software programmable Interrupt on Single/Double-Bit Error.
 - Error address and Syndrome Log Registers for Error Logging.
 - Does not provide TEA_ on Double-Bit Error. (Chip has no TEA_ pin.)

- ❑ ROM/Flash Interface
 - Two blocks with each block being 16 or 64 bits wide.
 - Programmable access time on a per-block basis.
- ❑ I²C master interface.
- ❑ External status/control register support

Block Diagrams

Figure 3-1 depicts a Hawk as it would be connected with SDRAMs in a system. Figure 3-2 shows the SMC's internal data paths. Figure 3-3 shows the overall SDRAM connections. Figure 3-4 shows a block diagram of the SMC portion of the Hawk ASIC.

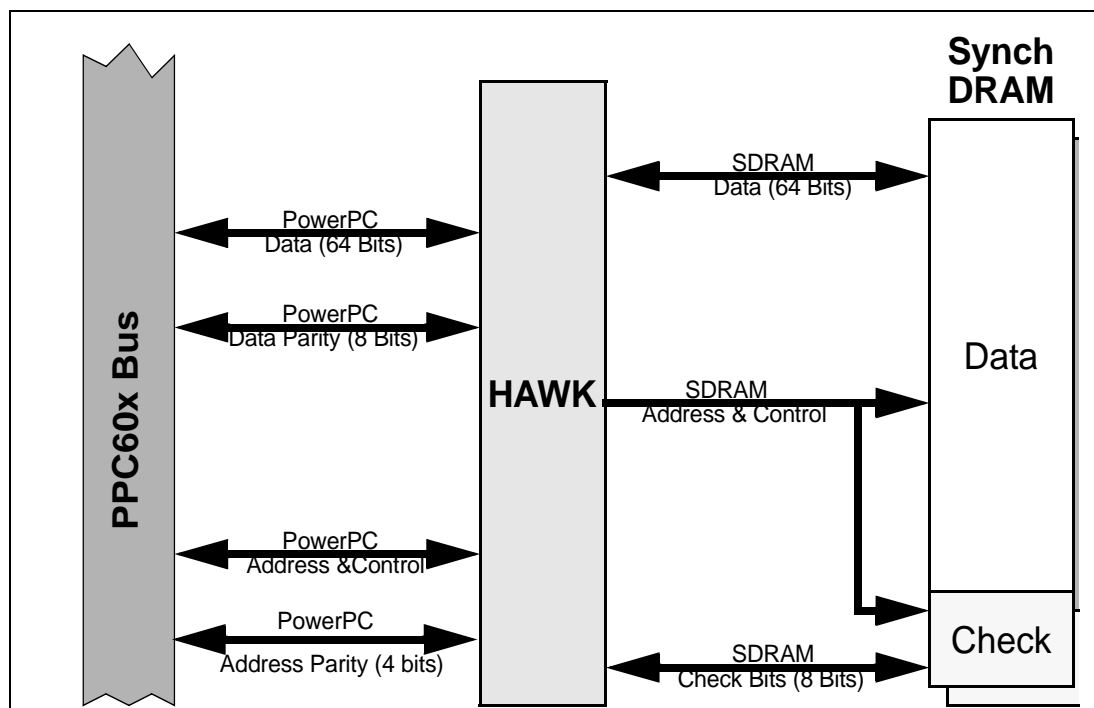


Figure 3-1. Hawk Used with Synchronous DRAM in a System

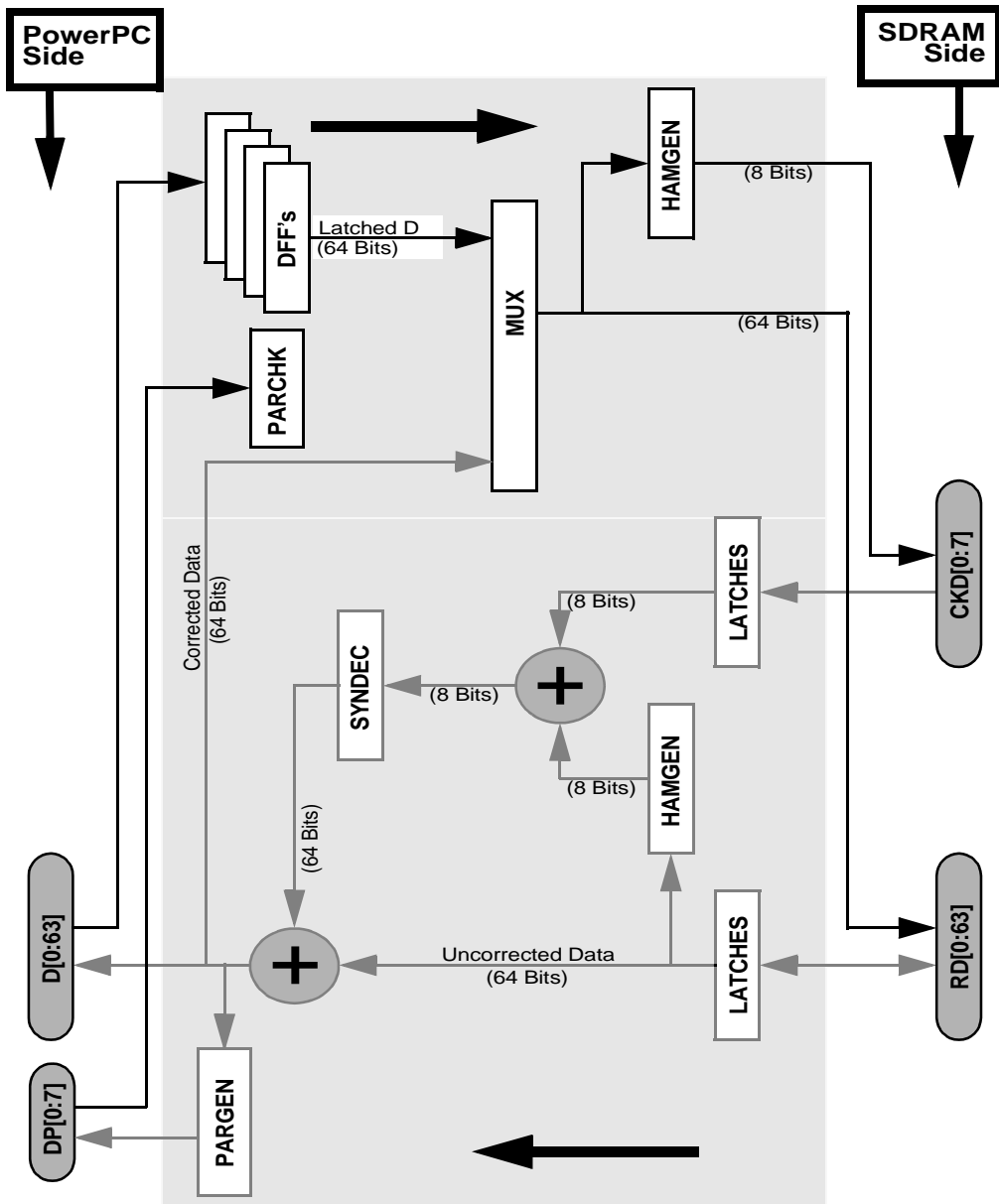


Figure 3-2. Hawk's System Memory Controller Internal Data Paths

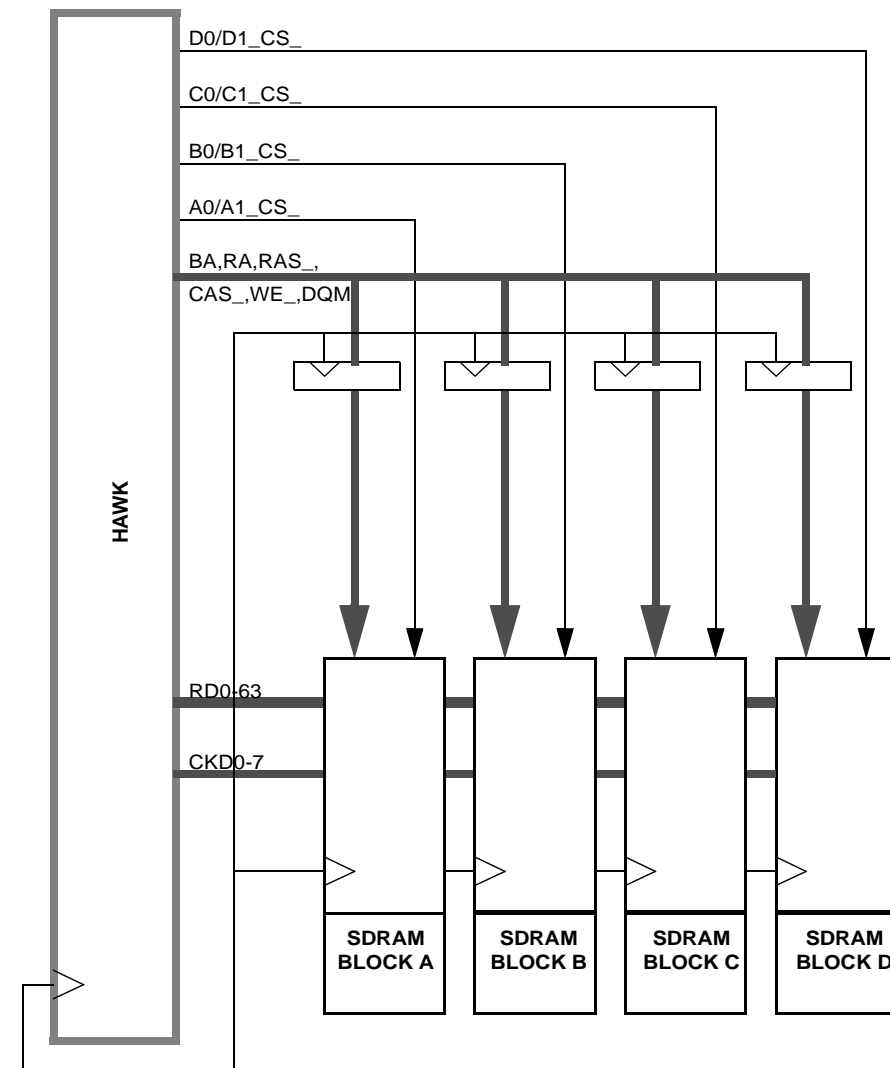


Figure 3-3. Overall SDRAM Connections (4 Blocks using Register Buffers)

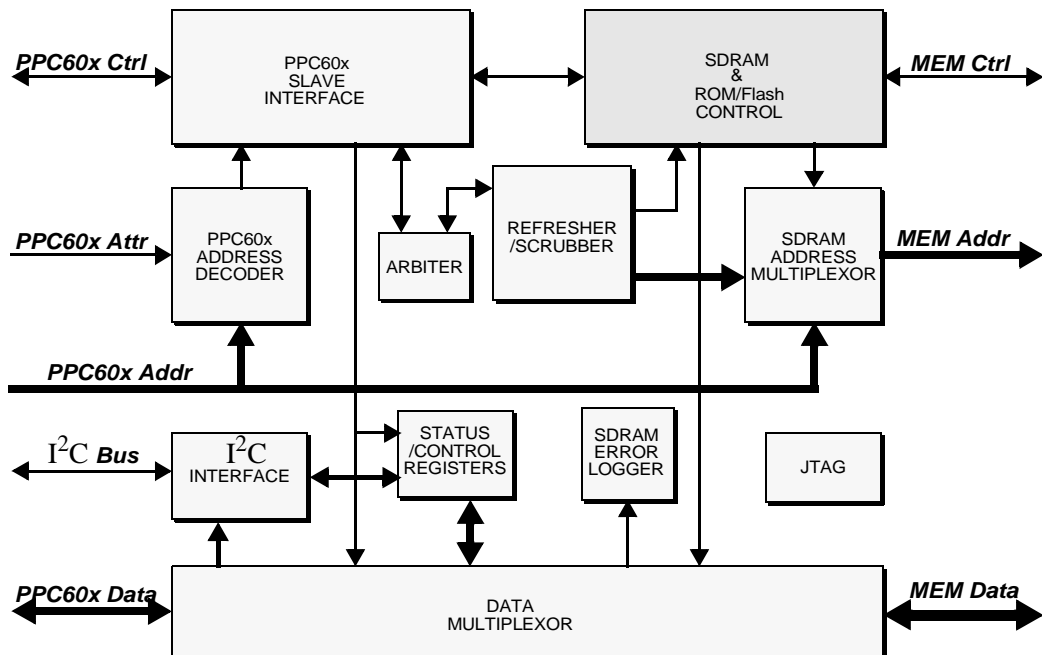


Figure 3-4. Hawk's System Memory Controller Block Diagram

Functional Description

The following sections describe the logical function of the SMC. The SMC has interfaces between the PowerPC bus and SDRAM, ROM/Flash, and its Control and Status Register sets (CSR).

SDRAM Accesses

Four-beat Reads/Writes

The SMC performs best when doing bursting (4-beat accesses). This is made possible by the burst nature of synchronous DRAMs. When the PPC60x Master begins a burst read to SDRAM, the SMC starts the access and when the access time is reached, the SDRAM provides all four beats of data, one on each clock. Hence, the SMC can provide the four beats of data with zero idle clocks between each beat.

Single-beat Reads/Writes

Because of start-up, addressing, and completion overhead, single-beat accesses to and from the PPC60x bus do not achieve data rates as high as do four-beat accesses. Single-beat writes are the slowest because they require that the SMC perform a read cycle then a write cycle to the SDRAM in order to complete. Fortunately, in most PPC60x systems, single-beat accesses can be held to a minimum, especially with data cache and copyback modes in place.

Address Pipelining

The SMC takes advantage of the fact that PPC60x processors can do address pipelining. Many times while a data cycle is finishing, the PPC60x processor begins a new address cycle. The SMC can begin the next SDRAM access earlier when this happens, thus increasing throughput.

Page Holding

Further savings comes when the new address is close enough to a previous one that it falls within an open page in the SDRAM array. When this happens, the SMC can transfer the data for the next cycle without having to wait to activate a new page in SDRAM. In the SMC this feature is referred to as page holding.

SDRAM Speeds

The SDRAM that the Hawk ASIC controls use the 60x clock. The SMC can be configured to operate at several different 60x clock frequencies using SDRAMs that have various speed characteristics. The bits that control this configuration are located in the SDRAM Speed Attributes Register, which is described in the Register portion of this section. Refer to [Table 3-1](#) for some specific timing numbers.

Table 3-1. 60x Bus to SDRAM Estimated Access Timing at 100 MHz with PC100 SDRAMs (CAS_latency of 2)

Access Type	Access Time	Comments
4-Beat Read after idle, SDRAM Bank Inactive	10-1-1-1	
4-Beat Read after idle, SDRAM Bank Active - Page Miss	12-1-1-1	
4-Beat Read after idle, SDRAM Bank Active - Page Hit	7-1-1-1	
4-Beat Read after 4-Beat Read, SDRAM Bank Active - Page Miss	5-1-1-1	
4-Beat Read after 4-Beat Read, SDRAM Bank Active - Page Hit	2.5-1-1-1	2.5-1-1-1 is an average of 2-1-1-1 half of the time and 3-1-1-1 the other half.
4-Beat Write after idle, SDRAM Bank Active or Inactive	4-1-1-1	
4-Beat Write after 4-Beat Write, SDRAM Bank Active - Page Miss	6-1-1-1	

Table 3-1. 60x Bus to SDRAM Estimated Access Timing at 100 MHz with PC100 SDRAMs (CAS_latency of 2) (Continued)

Access Type	Access Time	Comments
4-Beat Write after 4-Beat Write, SDRAM Bank Active - Page Hit	3-1-1-1	3-1-1-1 for the second burst write after idle. 2-1-1-1 for subsequent burst writes.
1-Beat Read after idle, SDRAM Bank Inactive	10	
1-Beat Read after idle, SDRAM Bank Active - Page Miss	12	
1-Beat Read after idle, SDRAM Bank Active - Page Hit	7	
1-Beat Read after 1-Beat Read, SDRAM Bank Active - Page Miss	8	
1-Beat Read after 1-Beat Read, SDRAM Bank Active - Page Hit	5	
1-Beat Write after idle, SDRAM Bank Active or Inactive	5	
1-Beat Write after 1-Beat Write, SDRAM Bank Active - Page Miss	13	
1-Beat Write after 1-Beat Write, SDRAM Bank Active - Page Hit	8	

- Notes**
1. SDRAM speed attributes are programmed for the following: CAS_latency = 2, tRCD = 2 CLK Periods, tRP = 2CLK Periods, tRAS = 5 CLK Periods, tRC = 7 CLK Periods, tDP = 2 CLK Periods, and the **swr dpl** bit is set in the SDRAM Speed Attributes Register.
 2. The Hawk is configured for “no external registers” on the SDRAM control signals.

SDRAM Organization

The SDRAM is organized as 1, 2, 3, 4, 5, 6, 7, or 8 blocks, 72 bits wide with 64 of the bits being normal data and the other 8 being checkbits. The 72 bits of SDRAM for each block can be made up of x4, x8, or x16 components or of 72-bit DIMMs that are made up of x4 or x8 components. The 72-bit, unbuffered DIMMs can be used as long as AC timing is met and they use the components listed. All components must be organized with 4 internal banks.

PPC60x Bus Interface

The SMC has a PowerPC slave interface only. It has no PowerPC master interface. The slave interface is the mechanism for all accesses to SDRAM, ROM/Flash, and the internal and external register sets.

Responding to Address Transfers

When the SMC detects an address transfer that it is to respond to, it asserts `AACK_` immediately if there is no uncompleted PPC60x bus data transfer in process. If there is one in process, then the SMC waits and asserts `AACK_` coincident with the uncompleted data transfer's last data beat if the SMC is the slave for the previous data. If it is not, it holds off `AACK_` until the `CLK` after the previous data transfer's last data beat.

Completing Data Transfers

If an address transfer to the SMC will have an associated data transfer, the SMC begins a read or write cycle to the accessed entity (SDRAM/ROM/Flash/Internal or External Register) as soon as the entity is free. If the data transfer will be a read, the SMC begins providing data to the PPC60x bus as soon as the entity has data ready and the PPC60x data bus is granted. If the data transfer will be a write, the SMC begins latching data from the PowerPC data bus as soon as any previously latched data is no longer needed and the PPC60x data bus is available.

PPC60x Data Parity

The Hawk has 8 DP pins for generating and checking PPC60x data bus parity.

During read cycles that access the SMC, the Hawk generates the correct value on DP0-DP7 so that each data byte lane along with its corresponding DP signal has odd parity. This can be changed on a lane basis to even parity by software bits that can force the generation of wrong (even) parity.

During write cycles to the SMC, the SMC checks each of the eight PPC60x data byte lanes and its corresponding DP signal for odd parity. If any of the eight lanes has even parity, the SMC logs the error in the CSR and can generate a machine check if so enabled.

While normal (default) operation is for the SMC to check data parity only on writes to it, it can be programmed to check data parity on all reads or writes to any device on the PPC bus.

Refer to the Data Parity Error Log Register section further on in this document for additional control register details.

PPC60x Address Parity

The Hawk has four AP pins for generating and checking PPC60x address bus parity.

During any address transfer cycle on the PPC60x, the SMC checks each of the four 8-bit PPC60x address lanes and its corresponding AP signal for odd parity. If any of the four lanes has even parity, the SMC logs the error in the CSR and can generate a machine check if so enabled.

Note that the SMC does not generate address parity because it is not a PPC60x address master.

Refer to the [Address Parity Error Log Register](#) section further on in this document for additional control register details.

Cache Coherency

The SMC supports cache coherency to SDRAM only. It does this by monitoring the ARTRY_ control signal on the PPC60x bus and behaving appropriately when it is asserted. When ARTRY_ is asserted, if the access is a SDRAM read, the SMC does not source the data for that access. If the access is a SDRAM write, the SMC does not write the data for that access. Depending upon when the retry occurs, the SMC may cycle the SDRAM even though the data transfer does not happen.

Cache Coherency Restrictions

The PPC60x GBL_ signal must not be asserted in the CSR areas.

L2 Cache Support

The SMC provides support for a look-aside L2 cache (only at 66.67 MHz) by implementing a hold-off input, L2CLM_. On cycles that select the SMC, the SMC samples L2CLM_ on the second rising edge of the CLK input after the assertion of TS_. If L2CLM_ is high, the SMC responds normally to the cycle. If it is low, the SMC ignores the cycle.

SDRAM ECC

The SMC performs single-bit error correction and double-bit error detection for SDRAM across 64 bits of data using 8 check bits. No checking is provided for ROM/Flash.

Cycle Types

To support ECC, the SMC always deals with SDRAM using full width (72-bit) accesses. When the PPC60x bus master requests any size read of SDRAM, the SMC reads the full width at least once. When the PPC60x bus master requests a four-beat write to SDRAM, the SMC writes all 72 bits four times. When the PPC60x bus master requests a single-beat write to SDRAM, the SMC performs a full width read cycle to SDRAM, merges in the appropriate PPC60x bus write data, and writes full width back to SDRAM.

Error Reporting

The SMC checks data from the SDRAM during single- and four-beat reads, during single-beat writes, and during scrubs. [Table 3-2](#) shows the actions it takes for different errors during these accesses 60x.

Note that the SMC does not assert TEA_ on double-bit errors. In fact, the SMC does not have a TEA_ signal pin and it assumes that the system does not implement TEA_. The SMC can, however, assert machine check (MCHK0_) on double-bit error.

Table 3-2. Error Reporting

Error Type	Single-Beat/Four-Beat Read	Single-Beat Write	Four-Beat Write	Scrub
Single-Bit Error	<p>Terminate the PPC60x bus cycle normally.</p> <p>Provide corrected data to the PPC60x bus master.</p> <p>Assert Hawk's internal error interrupt, if so enabled. ²</p>	<p>Terminate the PPC60x bus cycle normally.</p> <p>Correct the data read from SDRAM, merge with the write data, and write the corrected, merged data to SDRAM.</p> <p>Assert Hawk's internal error interrupt, if so enabled. ²</p>	N/A ¹	<p>This cycle is not seen on the PPC60x bus.</p> <p>Write corrected data back to SDRAM if so enabled.</p> <p>Assert Hawk's internal error interrupt, if so enabled. ²</p>
Double-Bit Error	<p>Terminate the PPC60x bus cycle normally.</p> <p>Provide miss-corrected, raw SDRAM data to the PPC60x60x bus master.</p> <p>Assert Hawk's internal error interrupt, if so enabled. ²</p> <p>Assert MCHK0_ if so enabled.</p>	<p>Terminate the PPC60x bus cycle normally.</p> <p>Do not perform the write portion of the read-modify-write cycle to SDRAM.</p> <p>Assert Hawk's internal error interrupt, if so enabled. ²</p> <p>Assert MCHK0_ if so enabled.</p>	N/A ¹	<p>This cycle is not seen on the PPC60x bus.</p> <p>Do not perform the write portion of the read-modify-write cycle to SDRAM.</p> <p>Assert Hawk's internal error interrupt if so enabled. ²</p>
Triple- (or greater) Bit Error	Some of these errors are detected correctly and are treated the same as double-bit errors. The rest could show up as "no error" or "single-bit error", both of which are incorrect.			

- Notes**
1. No opportunity for error since no read of SDRAM occurs during a four-beat write.
 2. The SMC asserts Hawk's internal error interrupt output upon detecting an interrupt-qualified error condition. The potential sources of Hawk's internal error interrupt assertion are single-bit error, multiple-bit error, and single-bit error counter overflow.

Error Logging

ECC error logging is facilitated by the SMC because of its internal latches. When an error (single- or double-bit) occurs, the SMC records the address and syndrome bits associated with the data in error. Once the error logger has logged an error, it does not log any more until the **e_{log}** control /status bit has been cleared by software, unless the currently logged error is single-bit and a new, double-bit error is encountered. The logging of errors that occur during scrub can be enabled/disabled in software. Refer to the *Error Logger Register* section in this chapter for more information.

ROM/Flash Interface

The SMC provides the interface for two blocks of ROM/Flash. Each block provides addressing and control for up to 64MB. Note that no ECC error checking is provided for the ROM/Flash.

The ROM/Flash interface allows each block to be individually configured by jumpers and/or by software as follows:

1. Access for each block is controlled by three software programmable control register bits: an overall enable, a write enable, and a reset vector enable. The overall enable controls normal read accesses. The write enable is used to program Flash devices. The reset vector enable controls whether the block is also enabled at \$FFF00000 - \$FFFFFFF. The overall enable and write enable bits are always cleared at reset. The reset vector enable bit is cleared or set at reset depending on external jumper configuration. This allows the board designer to use external jumpers to enable/disable Block A/B ROM/Flash as the source of reset vectors.
2. The base address for each block is software programmable. At reset, Block A's base address is \$FF000000, if Bank A is less than or equal to 8MB; otherwise, it is 0xF4000000. Block B's base address is \$FF800000.

As noted above, in addition to appearing at the programmed base address, the first 1MB of Block A/B also appears at \$FFF00000-\$FFFFFFF if the reset vector enable bit is set.
3. The assumed size for each block is software programmable. It is initialized to its smallest setting at reset.
4. The access time for each block is software programmable.
5. The assumed width for Block A/B is determined by an external jumper at reset time. It also is available as a status bit and cannot be changed by software.

When the width status bit is cleared, the block's ROM /Flash is considered to be 16 bits wide, where each half of the SMC interfaces to 8 bits. In this mode, the following rules are enforced:

- a. only single-byte writes are allowed (all other sizes are ignored), and
- b. all reads are allowed (multiple accesses are performed to the ROM/Flash devices when the read is for greater than one byte).

When the width status bit is set, the block's ROM/Flash is considered to be 64 bits wide, where each half of the SMC interfaces with 32 bits. In this mode, the following rules are enforced:

- a. only aligned, 4-byte writes should be attempted (all other sizes are ignored), and
- b. all reads are allowed (multiple accesses to the ROM/Flash device are performed for burst reads).

More information about ROM/Flash is found in the following sections in this chapter.

In order to place code correctly in the ROM/Flash devices, address mapping information is required. [Table 3-3](#) shows how PPC60x addresses map to the ROM/Flash addresses when ROM/Flash is 16 bits wide. [Table 3-4](#) shows how they map when Flash is 64 bits wide.

**Table 3-3. PPC60x to ROM/Flash (16 Bit Width)
Address Mapping**

PPC60x A0-A31	ROM/Flash A22-A0	ROM/Flash Device Selected
\$XX000000	\$000000	Upper
\$XX000001	\$000001	Upper
\$XX000002	\$000002	Upper
\$XX000003	\$000003	Upper
\$XX000004	\$000000	Lower
\$XX000005	\$000001	Lower
\$XX000006	\$000002	Lower
\$XX000007	\$000003	Lower
\$XX000008	\$000004	Upper
\$XX000009	\$000005	Upper
\$XX00000A	\$000006	Upper
\$XX00000B	\$000007	Upper
\$XX00000C	\$000004	Lower
\$XX00000D	\$000005	Lower
\$XX00000E	\$000006	Lower
\$XX00000F	\$000007	Lower
.	.	.
.	.	.
.	.	.
\$XXFFFFFF8	\$7FFFC	Upper
\$XXFFFFFF9	\$7FFFD	Upper
\$XXFFFFFFA	\$7FFFEE	Upper
\$XXFFFFFFB	\$7FFFF	Upper
\$XXFFFFFFC	\$7FFFC	Lower
\$XXFFFFFFD	\$7FFFD	Lower
\$XXFFFFFFE	\$7FFFEE	Lower
\$XXFFFFFFF	\$7FFFF	Lower

**Table 3-4. PPC60x to ROM/Flash (64 Bit Width)
Address Mapping**

PPC60x A0-A31	ROM/Flash A22-A0	ROM/Flash Device Selected
\$X0000000	\$000000	Upper
\$X0000001	\$000000	Upper
\$X0000002	\$000000	Upper
\$X0000003	\$000000	Upper
\$X0000004	\$000000	Lower
\$X0000005	\$000000	Lower
\$X0000006	\$000000	Lower
\$X0000007	\$000000	Lower
\$X0000008	\$000001	Upper
\$X0000009	\$000001	Upper
\$X000000A	\$000001	Upper
\$X000000B	\$000001	Upper
\$X000000C	\$000001	Lower
\$X000000D	\$000001	Lower
\$X000000E	\$000001	Lower
\$X000000F	\$000001	Lower
·	·	·
·	·	·
·	·	·
\$X3FFFFFF0	\$7FFFFFFE	Upper
\$X3FFFFFF1	\$7FFFFFFE	Upper
\$X3FFFFFF2	\$7FFFFFFE	Upper
\$X3FFFFFF3	\$7FFFFFFE	Upper
\$X3FFFFFF4	\$7FFFFFFE	Lower
\$X3FFFFFF5	\$7FFFFFFE	Lower
\$X3FFFFFF6	\$7FFFFFFE	Lower
\$X3FFFFFF7	\$7FFFFFFE	Lower
\$X3FFFFFF8	\$7FFFFFFF	Upper
\$X3FFFFFF9	\$7FFFFFFF	Upper

**Table 3-4. PPC60x to ROM/Flash (64 Bit Width)
Address Mapping (Continued)**

PPC60x A0-A31	ROM/Flash A22-A0	ROM/Flash Device Selected
\$X3FFFFFFA	\$7FFFFFF	Upper
\$X3FFFFFFB	\$7FFFFFF	Upper
\$X3FFFFFFC	\$7FFFFFF	Lower
\$X3FFFFFFD	\$7FFFFFF	Lower
\$X3FFFFFFE	\$7FFFFFF	Lower
\$X3FFFFFFF	\$7FFFFFF	Lower

ROM/Flash Speeds

The SMC provides the interface for two blocks of ROM/Flash. Access times to ROM/Flash are programmable for each block. Access times are also affected by block width. Refer to [Table 3-5](#), [Table 3-6](#), [Table 3-7](#), and [Table 3-8](#) for specific timing numbers.

**Table 3-5. PPC60x Bus to ROM/Flash Access Timing
(120ns @ 100 MHz)**

ACCESS TYPE	CLOCK PERIODS REQUIRED FOR:								Total Clocks	
	1st Beat		2nd Beat		3rd Beat		4th Beat		16 Bits	64 Bits
	16 Bits	64 Bits	16 Bits	64 Bits	16 Bits	64 Bits	16 Bits	64 Bits		
4-Beat Read	70	22	64	16	64	16	64	16	262	70
4-Beat Write	N/A								N/A	
1-Beat Read (1 byte)	22	22	-	-	-	-	-	-	22	22
1-Beat Read (2 to 8 bytes)	70	22	-	-	-	-	-	-	70	22
1-Beat Write	21	21	-	-	-	-	-	-	21	21

Note The information in [Table 3-5](#) applies to access timing when configured for devices with an access time equal to 12 clock periods.

**Table 3-6. PPC60x Bus to ROM/Flash Access Timing
(80ns @ 100 MHz)**

ACCESS TYPE	CLOCK PERIODS REQUIRED FOR:								Total Clocks	
	1st Beat		2nd Beat		3rd Beat		4th Beat		Total Clocks	
	16 Bits	64 Bits	16 Bits	64 Bits	16 Bits	64 Bits	16 Bits	64 Bits	16 Bits	64 Bits
4-Beat Read	54	18	48	12	48	12	48	12	198	54
4-Beat Write	N/A								N/A	
1-Beat Read (1 byte)	18	18	-	-	-	-	-	-	18	18
1-Beat Read (2 to 8 bytes)	54	18	-	-	-	-	-	-	54	18
1-Beat Write	21	21	-	-	-	-	-	-	21	21

Notes The information in [Table 3-6](#) applies to access timing when configured for devices with an access time equal to 8 clock periods.

**Table 3-7. PPC60x Bus to ROM/Flash Access Timing
(50ns @ 100 MHz)**

ACCESS TYPE	CLOCK PERIODS REQUIRED FOR:								Total Clocks	
	1st Beat		2nd Beat		3rd Beat		4th Beat		Total Clocks	
	16 Bits	64 Bits	16 Bits	64 Bits	16 Bits	64 Bits	16 Bits	64 Bits	16 Bits	64 Bits
4-Beat Read	42	15	36	9	36	9	36	9	150	42
4-Beat Write	N/A								N/A	
1-Beat Read (1 byte)	15	15	-	-	-	-	-	-	15	15
1-Beat Read (2 to 8 bytes)	42	15	-	-	-	-	-	-	42	15
1-Beat Write	21	21	-	-	-	-	-	-	21	21

Note The information in [Table 3-7](#) applies to access timing when configured for devices with an access time equal to 5 clock periods.

**Table 3-8. PPC60x Bus to ROM/Flash Access Timing
(30ns @ 100 MHz)**

ACCESS TYPE	CLOCK PERIODS REQUIRED FOR:								Total Clocks	
	1st Beat		2nd Beat		3rd Beat		4th Beat		16 Bits	64 Bits
	16 Bits	64 Bits	16 Bits	64 Bits	16 Bits	64 Bits	16 Bits	64 Bits		
4-Beat Read	34	13	28	7	28	7	28	7	118	34
4-Beat Write	N/A								N/A	
1-Beat Read (1 byte)	13	13	-	-	-	-	-	-	13	13
1-Beat Read (2 to 8 bytes)	34	13	-	-	-	-	-	-	34	13
1-Beat Write	21	21	-	-	-	-	-	-	21	21

Note The information in [Table 3-8](#) applies to access timing when configured for devices with an access time equal to 3 clock periods.

I²C Interface

The ASIC has an I²C (Inter-Integrated Circuit) two-wire serial interface bus: Serial Clock Line (SCL) and Serial Data Line (SDA). This interface has *master-only* capability and may be used to communicate the configuration information to a slave I²C device such as serial EEPROM. The I²C interface is compatible with these devices, and the inclusion of a serial EEPROM in the memory subsystem may be desirable. The EEPROM could maintain the configuration information related to the memory subsystem even when the power is removed from the system. Each slave device connected to the I²C bus is software addressable by a unique address. The number of interfaces connected to the I²C bus is solely dependent on the bus capacitance limit of 400pF.

For I²C bus programming, the ASIC is the *only* master on the bus and the serial EEPROM devices are all slaves. The I²C bus supports 7-bit addressing mode and transmits data one byte at a time in a serial fashion with the most significant bit (MSB) being sent out first. Five registers are required to perform the I²C bus data transfer operations. These are the I²C Clock Prescaler Register, I²C Control Register, I²C Status Register, I²C Transmitter Data Register, and I²C Receiver Data Register.

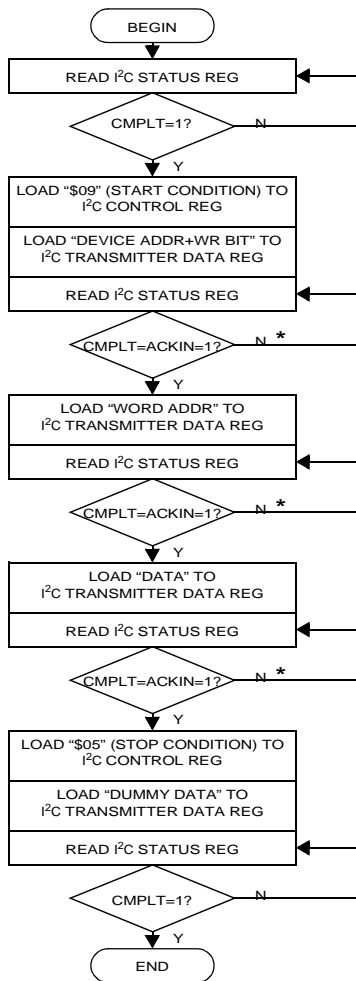
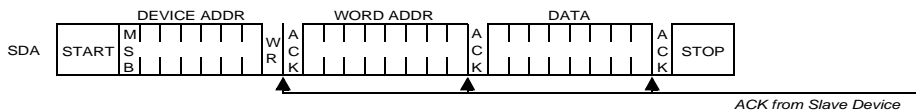
The I²C SDA is an open-drain bi-directional line on which data can be transferred at a rate up to 100 Kbits/s in the standard mode, or up to 400 kbits/s in the fast mode. The I²C serial clock (SCL) is programmable via I2_PRESCALE_VAL bits in the I²C Clock Prescaler Register. The I²C clock frequency is determined by the following formula:

$$\text{I}^2\text{C CLOCK} = \text{SYSTEM CLOCK} / (\text{I2_PRESCALE_VAL} + 1) / 2$$

The I²C bus has the ability to perform byte write, page write, current address read, random read, and sequential read operations.

I²C Byte Write

The I²C Status Register contains the *i²_cmplt* bit which is used to indicate if the I²C master controller is ready to perform an operation. Therefore, the first step in the programming sequence should be to test the *i²_cmplt* bit for the operation-complete status. The next step is to initiate a start sequence by first setting the *i²_start* and *i²_enbl* bits in the I²C Control Register and then writing the device address (bits 7-1) and write bit (bit 0=0) to the I²C Transmitter Data Register. The *i²_cmplt* bit will be automatically clear with the write cycle to the I²C Transmitter Data Register. The I²C Status Register must now be polled to test the *i²_cmplt* and *i²_ackin* bits. The *i²_cmplt* bit becomes set when the device address and write bit have been transmitted, and the *i²_ackin* bit provides status as to whether or not a slave device acknowledged the device address. With the successful transmission of the device address, the word address will be loaded into the I²C Transmitter Data Register to be transmitted to the slave device. Again, *i²_cmplt* and *i²_ackin* bits must be tested for proper response. After the word address is successfully transmitted, the next data loaded into the I²C Transmitter Data Register will be transferred to the address location selected previously within the slave device. After *i²_cmplt* and *i²_ackin* bits have been tested for proper response, a stop sequence must be transmitted to the slave device by first setting the *i²_stop* and *i²_enbl* bits in the I²C Control Register and then writing a dummy data (data=don't care) to the I²C Transmitter Data Register. The I²C Status Register must now be polled to test *i²_cmplt* bit for the operation-complete status. The stop sequence will initiate a programming cycle for the serial EEPROM and also relinquish the ASIC master's possession of the I²C bus. [Figure 3-5](#) shows the suggested software flow diagram for programming the I²C byte write operation.

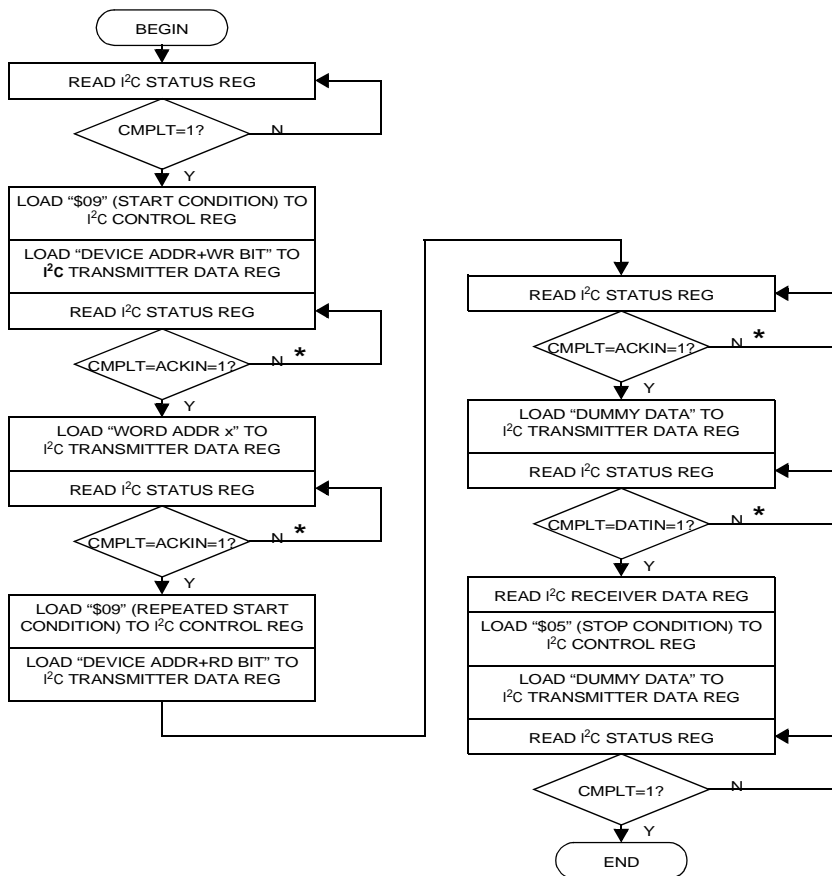
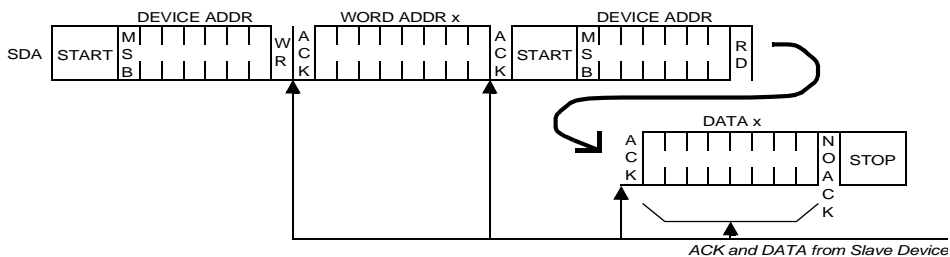


(*): Stop condition should be generated to abort the transfer after a software wait loop (~1ms) has been expired

Figure 3-5. Programming Sequence for I²C Byte Write

I²C Random Read

The I²C random read begins in the same manner as the I²C byte write. The first step in the programming sequence should be to test the *i2_cmplt* bit for the operation-complete status. The next step is to initiate a start sequence by first setting the *i²_start* and *i²_enbl* bits in the I²C Control Register and then writing the device address (bits 7-1) and write bit (bit 0=0) to the I²C Transmitter Data Register. The *i²_cmplt* bit will be automatically clear with the write cycle to the I²C Transmitter Data Register. The I²C Status Register must now be polled to test the *i²_cmplt* and *i²_ackin* bits. The *i²_cmplt* bit becomes set when the device address and write bit have been transmitted, and the *i²_ackin* bit provides status as to whether or not a slave device acknowledged the device address. With the successful transmission of the device address, the word address will be loaded into the I²C Transmitter Data Register to be transmitted to the slave device. Again, *i²_cmplt* and *i²_ackin* bits must be tested for proper response. At this point, the slave device is still in a write mode. Therefore, another start sequence must be sent to the slave to change the mode to read by first setting the *i²_start* and *i²_enbl* bits in the I²C Control Register and then writing the device address (bits 7-1) and read bit (bit 0=1) to the I²C Transmitter Data Register. After *i²_cmplt* and *i²_ackin* bits have been tested for proper response, the I²C master controller writes a dummy value (data=don't care) to the I²C Transmitter Data Register. This causes the I²C master controller to initiate a read transmission from the slave device. Again, *i2_cmplt* bit must be tested for proper response. After the I²C master controller has received a byte of data (indicated by *i²_datin*=1 in the I²C Status Register), the system software may then read the data by polling the I²C Receiver Data Register. The I²C master controller does not acknowledge the read data for a *single* byte transmission on the I²C bus, but must complete the transmission by sending a stop sequence to the slave device. This can be accomplished by first setting the *i²_stop* and *i²_enbl* bits in the I²C Control Register and then writing a dummy data (data=don't care) to the I²C Transmitter Data Register. The I²C Status Register must now be polled to test *i²_cmplt* bit for the operation-complete status. The stop sequence will relinquish the ASIC master's possession of the I²C bus. [Figure 3-6](#) shows the suggested software flow diagram for programming the I²C random read operation.

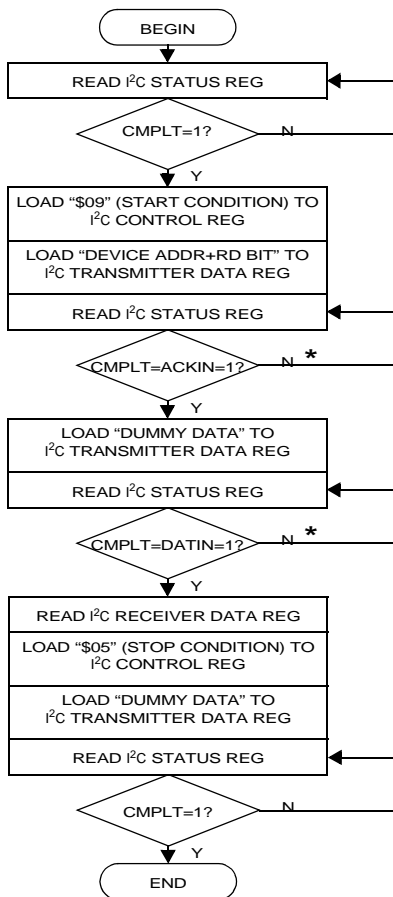
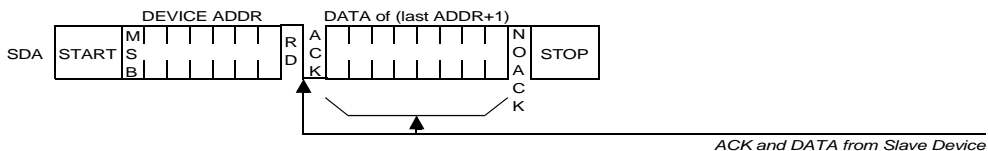


(*): Stop condition should be generated to abort the transfer after a software wait loop (~1ms) has been expired

Figure 3-6. Programming Sequence for I²C Random Read

I²C Current Address Read

The I²C slave device should maintain the last address accessed during the last I²C read or write operation, incremented by one. The first step in the programming sequence should be to test the *i2_cmplt* bit for the operation-complete status. The next step is to initiate a start sequence by first setting the *i2_start* and *i2_enbl* bits in the I²C Control Register and then writing the device address (bits 7-1) and read bit (bit 0=1) to the I²C Transmitter Data Register. The *i2_cmplt* bit will be automatically clear with the write cycle to the I²C Transmitter Data Register. The I²C Status Register must now be polled to test the *i2_cmplt* and *i2_ackin* bits. The *i2_cmplt* bit becomes set when the device address and read bit have been transmitted, and the *i2_ackin* bit provides status as to whether or not a slave device acknowledged the device address. With the successful transmission of the device address, the I²C master controller writes a dummy value (data=don't care) to the I²C Transmitter Data Register. This causes the I²C master controller to initiate a read transmission from the slave device. Again, *i2_cmplt* bit must be tested for proper response. After the I²C master controller has received a byte of data (indicated by *i2_datin*=1 in the I²C Status Register), the system software may then read the data by polling the I²C Receiver Data Register. The I²C master controller does not acknowledge the read data for a *single* byte transmission on the I²C bus, but must complete the transmission by sending a stop sequence to the slave device. This can be accomplished by first setting the *i2_stop* and *i2_enbl* bits in the I²C Control Register and then writing a dummy data (data=don't care) to the I²C Transmitter Data Register. The I²C Status Register must now be polled to test *i2_cmplt* bit for the operation-complete status. The stop sequence will relinquish the ASIC master's possession of the I²C bus. Figure 3-7 shows the suggested software flow diagram for programming the I²C current address read operation.

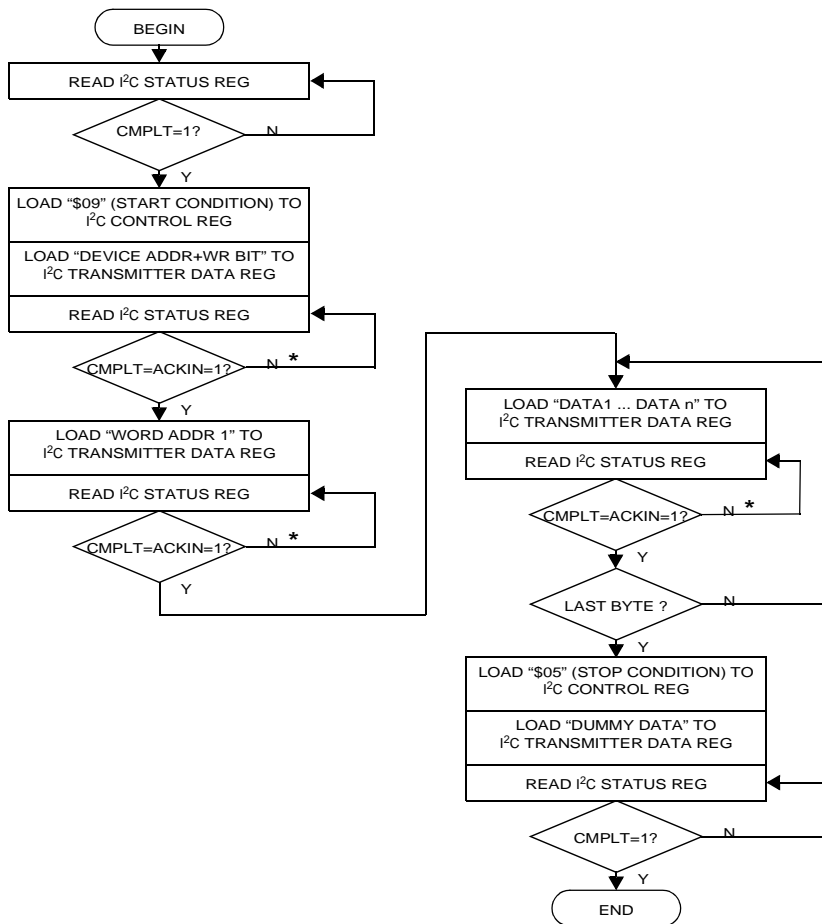
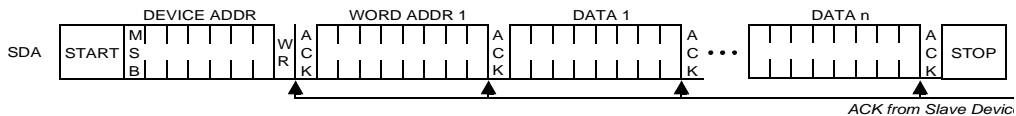


(*): Stop condition should be generated to abort the transfer after a software wait loop (~1ms) has been expired

Figure 3-7. Programming Sequence for I²C Current Address Read

I²C Page Write

The I²C page write is initiated the same as the I²C byte write, but instead of sending a stop sequence after the first data word, the I²C master controller will transmit more data words before a stop sequence is generated. The first step in the programming sequence should be to test the *i2_cmplt* bit for the operation-complete status. The next step is to initiate a start sequence by first setting the *i2_start* and *i2_enbl* bits in the I²C Control Register and then writing the device address (bits 7-1) and write bit (bit 0=0) to the I²C Transmitter Data Register. The *i2_cmplt* bit will be automatically clear with the write cycle to the I²C Transmitter Data Register. The I²C Status Register must now be polled to test the *i2_cmplt* and *i2_ackin* bits. The *i2_cmplt* bit becomes set when the device address and write bit have been transmitted, and the *i2_ackin* bit provides status as to whether or not a slave device acknowledged the device address. With the successful transmission of the device address, the initial word address will be loaded into the I²C Transmitter Data Register to be transmitted to the slave device. Again, *i2_cmplt* and *i2_ackin* bits must be tested for proper response. After the initial word address is successfully transmitted, the first data word loaded into the I²C Transmitter Data Register will be transferred to the initial address location of the slave device. After *i2_cmplt* and *i2_ackin* bits have been tested for proper response, the next data word loaded into the I²C Transmitter Data Register will be transferred to the next address location of the slave device, and so on, until the block transfer is complete. A stop sequence then must be transmitted to the slave device by first setting the *i2_stop* and *i2_enbl* bits in the I²C Control Register and then writing a dummy data (data=don't care) to the I²C Transmitter Data Register. The I²C Status Register must now be polled to test *i2_cmplt* bit for the operation-complete status. The stop sequence will initiate a programming cycle for the serial EEPROM and also relinquish the ASIC master's possession of the I²C bus. Figure 3-8 shows the suggested software flow diagram for programming the I²C page write operation.



(*): Stop condition should be generated to abort the transfer after a software wait loop (~1ms) has been expired

Figure 3-8. Programming Sequence for I2C Page Write

I²C Sequential Read

The I²C sequential read can be initiated by either an I²C random read (described here) or an I²C current address read.

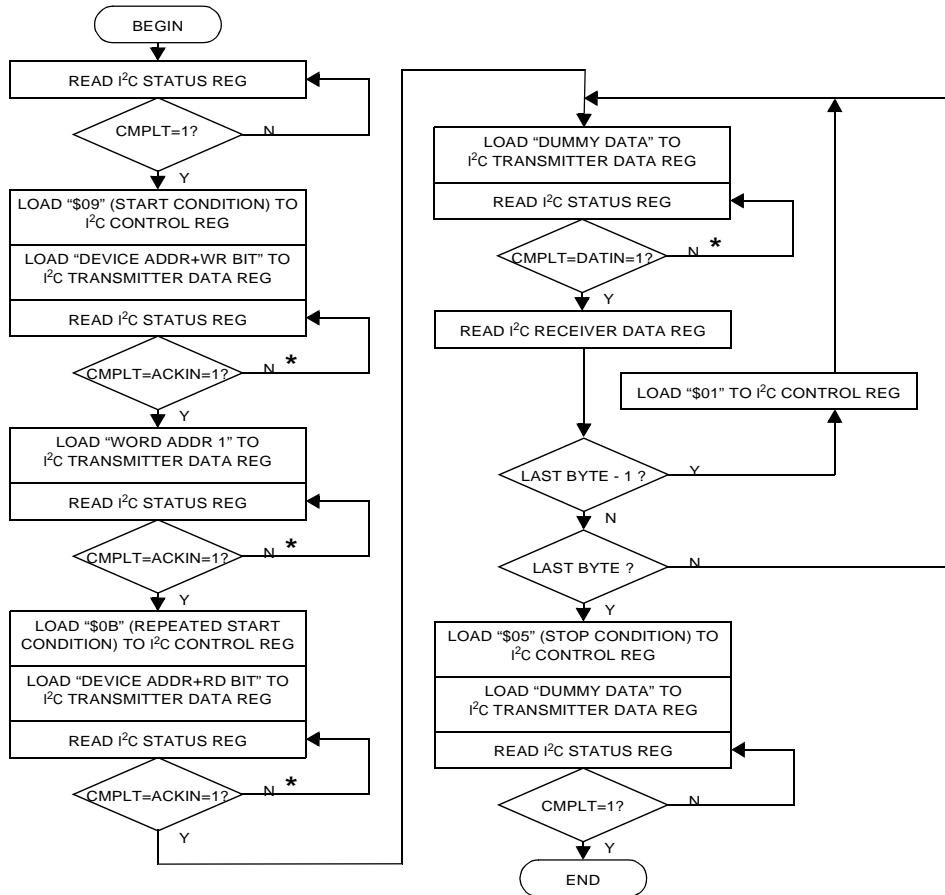
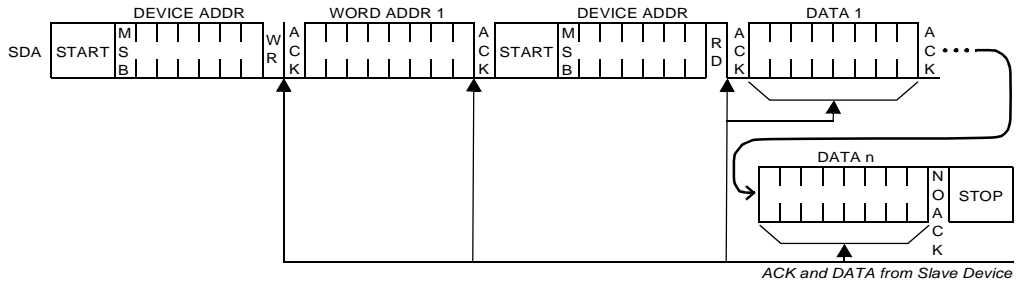
The first step in the programming sequence of an I²C random read initiation is to test the *i2_cmplt* bit for the operation-complete status. The next step is to initiate a start sequence by first setting the *i2_start* and *i2_enbl* bits in the I²C Control Register and then writing the device address (bits 7-1) and write bit (bit 0=0) to the I²C Transmitter Data Register. The *i2_cmplt* bit is automatically cleared with the write cycle to the I²C Transmitter Data Register.

The I²C Status Register must now be polled to test the *i2_cmplt* and *i2_ackin* bits. The *i2_cmplt* bit becomes set when the device address and write bit are transmitted, and the *i2_ackin* bit provides status as to whether or not a slave device acknowledged the device address. With the successful transmission of the device address, the initial word address is loaded into the I²C Transmitter Data Register to be transmitted to the slave device. Again, *i2_cmplt* and *i2_ackin* bits must be tested for proper response.

At this point, the slave device is still in a write mode. Therefore, another start sequence must be sent to the slave to change the mode to read by first setting the *i2_start*, *i2_ackout*, and *i2_enbl* bits in the I²C Control Register and then writing the device address (bits 7-1) and read bit (bit 0=1) to the I²C Transmitter Data Register. After *i2_cmplt* and *i2_ackin* bits are tested for proper response, the I²C master controller writes a dummy value (data=don't care) to the I²C Transmitter Data Register. This causes the I²C master controller to initiate a read transmission from the slave device.

After the I²C master controller has received a byte of data (indicated by *i2_datin*=1 in the I²C Status Register) and the *i2_cmplt* bit has also been tested for proper status, the I²C master controller responds with an acknowledge and the system software may then read the data by polling the I²C Receiver Data Register.

As long as the slave device receives an acknowledge, it will continue to increment the word address and serially clock out sequential data words. The I²C sequential read operation is terminated when the I²C master controller does not respond with an acknowledge. This can be accomplished by setting *only* the i2_enbl bit in the I²C Control Register before receiving the last data word. A stop sequence then must be transmitted to the slave device by first setting the i2_stop and i2_enbl bits in the I²C Control Register and then writing a dummy data (data=don't care) to the I²C Transmitter Data Register. The I²C Status Register must now be polled to test i2_cmplt bit for the operation-complete status. The stop sequence will relinquish the ASIC master's possession of the I²C bus. [Figure 3-9](#) shows the suggested software flow diagram for programming the I²C sequential read operation.



(*): Stop condition should be generated to abort the transfer after a software wait loop (~1ms) has been expired

Figure 3-9. Programming Sequence for I²C Sequential Read

Refresh/Scrub

The SMC performs refresh by doing a burst of 4 CAS-Before-RAS (CBR) refresh cycles to each block of SDRAM once every 60 microseconds. It performs scrubs by replacing every 128th refresh burst with a read cycle to 8 bytes in each block of SDRAM. If during the read cycle, the SMC detects a single-bit error, it performs a write cycle back to SDRAM using corrected data providing the SWEN control bit is set. It does not perform the write if the SWEN bit is cleared. If the SMC detects a double-bit error, it does not perform a write.

If so enabled, single- and double-bit scrub errors are logged and the PPC60x bus master is notified via interrupt.

CSR Accesses

The SMC has a set of control and status registers (CSR) that allow software to control certain functions and to monitor some status.

External Register Set

The SMC has an external register chip select pin which enables it to talk to an external set of registers. This interface is like the ROM/Flash interface but with less flexibility. It is intended for the system designer to be able to implement general-purpose status/control signals with this external set. Refer to the section on *External Register Set*, further on in this chapter, for a description of this register set.

The SMC has a mode in which two of its pins become control register outputs. When the SMC is to operate in this mode, the External Register Set cannot be implemented. The two control bits appear in the range where the External Register Set would have been had it been implemented.

Chip Configuration

Some configuration options in the Hawk must be configured at power-up reset time before software performs any accesses to it. The Hawk obtains this information by latching the value on some of the upper RD signals just after the rising edge of the PURST_ signal pin. The recommended way to control the RD signals during reset is to place pull-up or pull-down resistors on the RD bus. If there is a set of buffers between the RD bus and the ROM/Flash devices, it is best to put the pull-up/pull-down resistors on the far side of the buffers so that loading will be kept to a minimum. The Hawk's SDRAM buffer control signals cause the buffers to drive toward the Hawk during power-up reset.

Other configuration information is needed by software to properly configure the Hawk's control registers. This information can be obtained from devices connected to the I²C bus.

Programming Model

CSR Architecture

The CSR (control and status register set) consists of the chip's internal register set and its external register set. The base address of the CSR is hard coded to the address \$FEF80000 (or \$FEF90000 if the RD[5] pin is high at reset). To remain backwards compatible with older Raven/Falcon designs, Hawk offers two options:

RD[5]=0=>PHB is at 0xFEFF0000, SMC is at 0xFE80000 (default)

RD[5]=1=>PHB is at 0xFEFE0000, SMC is at 0xFE90000

Accesses to the CSR are performed on the upper 32 bits of the PPC60x data bus. Unlike the internal register set, data for the external register set can be written and read on both the upper and lower halves of the PPC60x data bus.

CSR read accesses can have a size of 1, 2, 4, or 8 bytes with any alignment. CSR write accesses are restricted to a size of 1 or 4 bytes and they must be aligned.

Register Summary

Table 3-9 shows a summary of the internal and external register set.

3

Table 3-9. Register Summary

BIT # ---->	0	1	2	3	4	5	6	7	8	9	10	11	12	13	14	15	16	17	18	19	20	21	22	23	24	25	26	27	28	29	30	31
FEF80000	<i>VENDID</i>																<i>DEVID</i>															
FEF80008								<i>iben_en</i>		REVID										<i>aonly_en</i> <i>isa_hole</i>		PU STAT										
FEF80010	<i>ram_a_en</i>	RAM A SIZ				<i>ram_b_en</i>		RAM B SIZ				<i>ram_c_en</i>		RAM C SIZ			<i>ram_d_en</i>		RAM D SIZ													
FEF80018	RAM A BASE				RAM B BASE				RAM C BASE				RAM D BASE																			
FEF80020	CLK FREQUENCY																					<i>par</i>										
FEF80028					<i>refdis</i> <i>rweb</i> <i>derc</i>						<i>aplen</i> <i>scien</i> <i>dpnen</i> <i>sien</i> <i>minen</i>		<i>ill</i>							<i>mbc_mie</i>												
FEF80030	<i>elog</i>	<i>escb</i> <i>esen</i> <i>embt</i> <i>esbt</i>		ERR_SYNDROME								<i>esblk0</i> <i>esblk1</i> <i>esblk2</i>		<i>scof</i>		SBE COUNT																
FEF80038	ERROR_ADDRESS																															
FEF80040	<i>scb0</i> <i>scb1</i>					<i>swen</i>						SCRUB FREQUENCY																				
FEF80048	SCRUB ADDRESS																															
FEF80050	ROM A BASE											<i>rom_a_64</i>	ROM A SIZ							<i>rom_a_rv</i> <i>rom_a_en</i>		<i>rom_a_we</i>										
FEF80058	ROM B BASE											<i>rom_b_64</i>	ROM B SIZ							<i>rom_b_rv</i> <i>rom_b_en</i>		<i>rom_b_we</i>										
FEF80060																	<i>rom_a_spd0</i> <i>rom_a_spd1</i>				<i>rom_b_spd0</i> <i>rom_b_spd1</i>											
FEF80068	<i>dprelog</i>	DPE_TT				DPE_DP								<i>dpe_ckall</i> <i>dpe_mie</i>		GWDP																

Table 3-9. Register Summary (Continued)

FEF80070	<i>DPE_A</i>																															
FEF80078	<i>DPE_DH</i>																															
FEF80080	<i>DPE_DL</i>																															
FEF80090	<i>I2_PRESCALE_VAL</i>																															
FEF80098																													<i>i2_start</i>	<i>i2_stop</i>	<i>i2_ackout</i>	<i>i2_enbl</i>
FEF800A0																													<i>i2_datin</i>	<i>i2_err</i>	<i>i2_ackin</i>	<i>i2_emplt</i>
FEF800A8	<i>I2_DATAWR</i>																															
FEF800B0	<i>I2_DATARD</i>																															
FEF800C0	<i>ram_e_en</i>	<i>RAM E SIZ</i>						<i>ram_f_en</i>	<i>RAM F SIZ</i>						<i>ram_g_en</i>	<i>RAM G SIZ</i>						<i>ram_h_en</i>	<i>RAM H SIZ</i>									
FEF800C8	<i>RAM E BASE</i>						<i>RAM F BASE</i>						<i>RAM G BASE</i>						<i>RAM H BASE</i>													
FEF800D0			<i>el3</i>			<i>trc0</i>	<i>trc1</i>	<i>trc2</i>			<i>tras0</i>	<i>tras1</i>			<i>swr_dpl</i>	<i>tdp</i>			<i>ltp</i>			<i>trcd</i>										
FEF800E0	<i>ape_log</i>	<i>APE_TT</i>						<i>APE_AP</i>												<i>ape_mie</i>												
FEF800E8	<i>APE_A</i>																															
FEF80100	<i>CTR32</i>																															
FEF88300			<i>p1_tben</i>	<i>p0_tben</i>																												
FEF88000 - FEF8FFF8	<i>EXTERNAL REGISTER SET</i>																															
BIT # ---->	0	1	2	3	4	5	6	7	8	9	10	11	12	13	14	15	16	17	18	19	20	21	22	23	24	25	26	27	28	29	30	31

- Notes**
1. All empty bit fields are reserved and read as zeros.
 2. All status bits are shown in italics.
 3. All control bits are shown with underline.
 4. All control-and-status bits are shown with italics and underline.

Detailed Register Bit Descriptions

The following sections describe the registers and their bits in detail. The possible operations for each bit in the register set are as follows:

- R The bit is a read only status bit.
- R/W The bit is readable and writable.
- R/C The bit is cleared by writing a one to itself.

The possible states of the bits after local and power-up reset are as defined below.

- P The bit is affected by power-up reset (PURST_).
- L The bit is affected by local reset (RST_).
- X The bit is not affected by reset.
- V The effect of reset on the bit is variable.

Vendor/Device Register

Address	\$FEF80000																															
Bit	0	1	2	3	4	5	6	7	8	9	10	11	12	13	14	15	16	17	18	19	20	21	22	23	24	25	26	27	28	29	30	31
Name	VENDID																DEVID															
Operation	READ ONLY																READ ONLY															
Reset	\$1057																\$4803															

VENDID This read-only register contains the value \$1057. It is the vendor number assigned to Motorola Inc.

DEVID This read-only register contains the value \$4803. It is the device number for the Hawk.

Revision ID/General Control Register

Address	\$FEF80008																																									
Bit	0	1	2	3	4	5	6	7	8	9	10	11	12	13	14	15	16	17	18	19	20	21	22	23	24	25	26	27	28	29	30	31										
Name								<u>tben_en</u>	REVID																																	
Operation	R	R	R	R	R	R	R	R/W	READ ONLY																R	R	R	R	R	R	R	R	R	R	R	R	R	R	R	R	R	R
Reset	X	X	X	X	X	X	X	0	\$01																X	X	X	X	X	X	X	X	X	X	X	X	X	X	X	X	X	X

tben_en **tben_en** controls the enable for the p1_tben and p0_tben output signals. When **tben_en** is set, the I²clm_input pin becomes the p1_tben output pin and the ercs_output pin becomes the p0_tben output pin. Also, the SMC does not respond to accesses that fall within the external register set address range except for the address \$FEF88300. When **tben_en** is cleared, the I²clm_ and ercs_ pins retain their normal function and the SMC does respond to external register set accesses.

Software should only set the **then_en** bit when there is no external L2 cache connected to the I2clm_ pin and when there is no external register set.

REVID The REVID bits are hard-wired to indicate the revision level of the SMC. The value for the first revision is \$01.

aonly_en Normally, the SMC responds to address-only cycles only if they fall within the address range of one of its enabled map decoders. When the **aonly_en** bit is set, the SMC also responds to address-only cycles that fall outside of the range of its enabled map decoders provided they are not acknowledged by some other slave within 8 clock periods. **aonly_en** is read-only and reflects the level that was on the RD4 pin at power-up reset time.

isa_hole When it is set, **isa_hole** disables any of the SDRAM or ROM/Flash blocks from responding to PowerPC accesses in the range from \$000A0000 to \$000BFFFF. This has the effect of creating a hole in the SDRAM memory map for accesses to ISA. When **isa_hole** is cleared, there is no hole created in the memory map.

pu_stat0-pu_stat3 **pu_stat0**, **pu_stat1**, **pu_stat2**, and **pu_stat3** are read-only status bits that indicate the levels that were on the RD13, RD14, RD15, and RD16 signal pins respectively at power-up reset. They provide a means to pass information to software using pull-up/pull-down resistors on the RD bus or on a buffered RD bus.

SDRAM Enable and Size Register (Blocks A, B, C, D)

Address	\$FEF80010																																
Bit	0	1	2	3	4	5	6	7	8	9	10	11	12	13	14	15	16	17	18	19	20	21	22	23	24	25	26	27	28	29	30	31	
Name	<u>ram a en</u>				<u>ram a siz0</u>	<u>ram a siz1</u>	<u>ram a siz2</u>	<u>ram a siz3</u>	<u>ram b en</u>				<u>ram b siz0</u>	<u>ram b siz1</u>	<u>ram b siz2</u>	<u>ram b siz3</u>	<u>ram c en</u>				<u>ram c siz0</u>	<u>ram c siz1</u>	<u>ram c siz2</u>	<u>ram c siz3</u>	<u>ram d en</u>				<u>ram d siz0</u>	<u>ram d siz1</u>	<u>ram d siz2</u>	<u>ram d siz3</u>	
Operation	R/W	R	R	R	R/W	R/W	R/W	R/W	R/W	R	R	R	R/W	R/W	R/W	R/W	R/W	R	R	R	R/W	R/W	R/W	R/W	R/W	R/W	R	R	R	R/W	R/W	R/W	R/W
Reset	0 PL	X	X	X	0 P	0 P	0 P	0 P	0 PL	X	X	X	0 P	0 P	0 P	0 P	0 PL	X	X	X	0 P	0 P	0 P	0 P	0 PL	X	X	X	0 P	0 P	0 P	0 P	

Writes to this register must be enveloped by a period of time in which no accesses to SDRAM occur. The requirements of the envelope are that all SDRAM accesses must have completed before the write starts and none should begin until after the write is done. A simple way to do this is to perform at least two read accesses to this (or another register) before and after the write.

Additionally, sometime during the envelope, before or after the write, all of the SDRAMs' open pages must be closed and the Hawk's open page tracker must be reset. The way to do this is to allow enough time for at least one SDRAM refresh to occur by waiting for the 32-bit counter (see register description further on in this chapter) to increment at least 100 times. The wait period needs to happen during the envelope.

ram a/b/c/d en **ram a/b/c/d en** enables 60x accesses to the corresponding block of SDRAM when set, and disables them when cleared.

Note that **ram e/f/g/h en** are located at \$FEF800C0 (refer to the section on SDRAM Enable and Size Register (Blocks E, F, G, H) further on in this chapter for more information.) They operate the same for blocks E-H as these bits do for blocks A-D.

ram a/b/c/d siz0-3 These control bits define the size of their corresponding block of SDRAM. Table 3-10 shows the block configuration assumed by the SMC for each value of **ram siz0-ram siz3**. Note that **ram e/f/g/h size0-3** are located at \$FEF800C0. They operate identically for blocks E-H as these bits do for blocks A-D.

Table 3-10. Block_A/B/C/D/E/F/G/H Configurations

ram a-h siz0-3	Component Configuration	Number of SDRAM Components In the Block	Block SIZE	SDRAM Technology
%0000	-	-	0MBytes	-
%0001	4Mx16	5	32MBytes	64Mbit
%0010	8Mx8	9	64MBytes	64Mbit
%0011	8Mx16	5	64MBytes	128Mbit
%0100	16Mx4	18	128MBytes	64Mbit
%0101	16Mx8	9	128MBytes	128Mbit
%0110	16Mx16	5	128MBytes	256Mbit
%0111	32Mx4	18	256MBytes	128Mbit
%1000	32Mx8	9	256MBytes	256Mbit
%1001	64Mx4	18	512MBytes	256Mbit
%1010	Reserved	-	-	-
-				
%1111				

- Notes**
1. All SDRAM components should be organized with 4 internal banks.
 2. When DIMMs are used, the Component Configuration refers to the configuration of the devices used on the DIMMs.
 3. It is important that all of the **ram a/b/c/d/e/f/g/h siz0-3** bits be set to accurately match the actual size of their corresponding blocks. This includes clearing them to binary 00000 if their corresponding blocks are not present. Failure to do so will cause problems with addressing and with scrub logging.

SDRAM Base Address Register (Blocks A/B/C/D)

Address	\$FEF80018																															
Bit	0	1	2	3	4	5	6	7	8	9	10	11	12	13	14	15	16	17	18	19	20	21	22	23	24	25	26	27	28	29	30	31
Name	RAM A BASE							RAM B BASE							RAM C BASE							RAM D BASE										
Operation	READ/WRITE							READ/WRITE							READ/WRITE							READ/WRITE										
Reset	0 PL							0 PL							0 PL							0 PL										

Writes to this register must be enveloped by a period of time in which no accesses to SDRAM occur. The requirements of the envelope are that all SDRAM accesses must have completed before the write starts and none should begin until after the write is done. A simple way to do this is to perform at least two read accesses to this, or another register, before and after the write.

Additionally, sometime during the envelope, before or after the write, all of the SDRAMs' open pages must be closed and the Hawk's open page tracker reset. The way to do this is to allow enough time for at least one SDRAM refresh to occur by waiting for the 32-Bit Counter, described further on in this chapter, to increment at least 100 times. The wait period must happen during the envelope.

RAM A/B/C/D BASE These control bits define the base address for their block's SDRAM. **RAM A/B/C/D BASE** bits 0-7/8-15/16-23/24-31 correspond to PPC60x address bits 0 - 7. For larger SDRAM sizes, the lower significant bits of **A/B/C/D BASE** are ignored. This means that the block's base address will always appear at an even multiple of its size. Remember that bit 0 is MSB.

Note that **RAM E/F/G/H BASE** are located at \$FEF800C8 (refer to the section on SDRAM Base Address Register (Blocks E/F/G/H)). They operate the same for blocks E-H as these bits do for blocks A-D.

Also note that the combination of **RAM X BASE** and **ram x siz** should never be programmed such that SDRAM responds at the same address as the CSR, ROM/Flash, External Register Set, or any other slave on the PowerPC bus.

CLK Frequency Register

Address	\$FEF80020																																			
Bit	0	1	2	3	4	5	6	7	8	9	10	11	12	13	14	15	16	17	18	19	20	21	22	23	24	25	26	27	28	29	30	31				
Name	CLK FREQUENCY																																			
Operation	READ/WRITE								READ ZERO																											
Reset	64 P								X																											

CLK FREQUENCY These bits should be programmed with the hexadecimal value of the operating CLOCK frequency in MHz (i.e. \$42 for 66 MHz). When these bits are programmed this way, the chip's prescale counter produces a 1 MHz (approximate) output. The output of the chip prescale counter is used by the refresher/scrubber and the 32-bit counter. After power-up, this register is initialized to \$64 (for 100 MHz). The formula is:

$$\text{Counter_Output_Frequency} = (\text{Clock Frequency}) / \text{CLK_FREQUENCY}$$

For example, if the Clock Frequency is 100 MHz and CLK_FREQUENCY is \$64, then the counter output frequency is 100 MHz/100 = 1 MHz.

When the CLK pin is operating slower than 100MHz, software should program **CLK FREQUENCY** to be at least as slow as the CLK pin's frequency as soon as possible after power-up reset so that SDRAM refresh does not get behind.

It is okay for the software then to take some time to "up" **CLK FREQUENCY** to the correct value. Refresh will get behind only when the actual CLK pin's frequency is lower than the value programmed into **CLK FREQUENCY**.

(**Note:** Hawk 1 and 2 were designed to support SDRAMs that require a refresh rate of 15.625 us (64 ms / 4096 rows = 15.625 us). Some SDRAMs require a refresh rate of 7.8

us (64 ms / 8192 rows = 7.8 us). In order for Hawk 1 or 2 to accommodate such SDRAM's their CLK_FREQUENCY must be programmed with the CLK pin (bus clock) frequency divided by two. For example, if the clock pin frequency is 100 MHz, the **CLK_FREQUENCY** register should be programmed with \$32 (100 MHz divided by 2) rather than \$64. The same work-around can, but does not have to be used for Hawk 3. Hawk 3 includes an additional control bit (**drr**) that when set, removes the need for the work-around. Refer to the following explanation of the **drr** bit.

drr **Double Refresh Rate** (Hawk 3 only) When **drr** is set, Hawk3's refresh rate doubles. When **drr** is cleared, Hawk3's refresh rate is normal and matches that of Hawk 1 and 2. Refer to the following examples of **DRR** and **CLK_FREQUENCY** settings with the resulting refresh rates:

drr value	CLK pin frequency	CLK_FREQUENCY value	Refresh Period	Comments
0	100 MHz	\$32	7.8us	Hawk1, 2 or 3
0	100 MHz	\$64	15.6us	Hawk1, 2 or 3
1	100 MHz	\$64	7.8us	Hawk3 only
0	66 MHz	\$21	7.8us	Hawk1, 2 or 3
0	66 MHz	\$42	15.6us	Hawk1, 2 or 3
1	66 MHz	\$42	7.8us	Hawk3 only

7.8us corresponds to 64ms per 8192 rows and 15.6us corresponds to 64ms per 4096 rows.

Note MVME5100 boards are 100 MHz SBCs.

por **por** is set by the occurrence of power up reset. It is cleared by writing a one to it. Writing a 0 to it has no effect.

ECC Control Register

Address	\$FEF80028																																						
Bit	0	1	2	3	4	5	6	7	8	9	10	11	12	13	14	15	16	17	18	19	20	21	22	23	24	25	26	27	28	29	30	31							
Name	0	0	0	0	0	<i>refdis</i>	<i>rwcb</i>	<i>dearc</i>	0	0	0	<i>qprien</i>	<i>scien</i>	<i>dprien</i>	<i>stien</i>	<i>miem</i>	<i>int</i>														<i>mbe me</i>								
Operation	R	R	R	R	R	R/W	R/W	R/W	R	R	R	R/W	R/W	R/W	R/W	R/W	R/C	READ ZERO										R	R	R	R	R	R	R	R	R	R	R/W	
Reset	X	X	X	X	X	0 PL	0 PL	1 PL	X	X	X	0 PL	0 PL	0 PL	0 PL	0 PL	0 PL	0 PL											X	X	X	X	X	X	X	X	X	X	0 PL

refdis

When set, **refdis** causes the refresher and all of its associated counters and state machines to be cleared and maintained that way until **refdis** is removed (cleared). If a refresh cycle is in process when **refdis** is updated by a write to this register, the update does not take effect until the refresh cycle has completed. This prevents the generation of illegal cycles to the SDRAM when **refdis** is updated.

rwcb

rwcb, when set, causes reads and writes to SDRAM from the PPC60x bus to access check-bit data rather than normal data. The data path used for reading and writing check bits is D0-D7. Each 8-bit check-bit location services 64 bits of normal data. [Figure 3-10](#) shows the relationship between normal data and check-bit data.

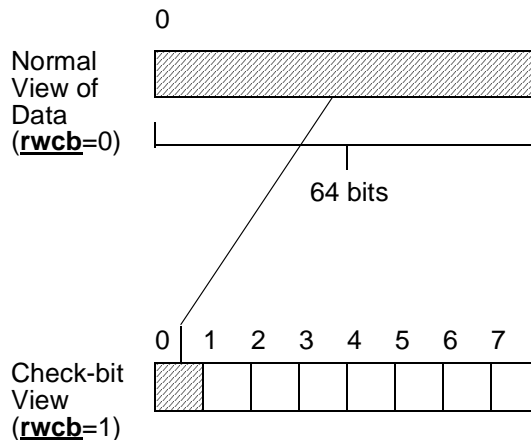


Figure 3-10. Read/Write Check-bit Data Paths

Note that if test software attempts to force a single-bit error to a location using the **rwcb** function, the scrubber may correct the location before the test software gets a chance to check for the single-bit error. This can be avoided by disabling scrub writes. Also note that writing bad check-bits can set the **elog** bit in the Error Logger Register. The writing of check-bits causes the SMC to perform a read-modify-write to SDRAM. If the location to which check-bits are being written has a single- or double-bit error, data in the location may be altered by the write check-bits operation. To avoid this, it is recommended that the **derc** bit also be set while the **rwcb** bit is set. A possible sequence for performing read-write check-bits is as follows:

1. Disable scrub writes by clearing the **swen** bit if it is set.
2. Make sure software is not using DRAM at this point, because while **rwcb** is set, DRAM will not function as normal memory.
3. Set the **derc** and **rwcb** bits in the Data Control register.
4. Perform the desired read and/or write check-bit operations.

5. Clear the **derc** and **rwcb** bits in the Data Control register.
6. Perform the desired testing related to the location/locations that have had their check-bits altered.
7. Enable scrub writes by setting the **swen** bit if it was set before.

derc Setting **derc** to one alters SMC operation as follows:

1. During reads, data is presented to the PPC60x data bus uncorrected from the SDRAM array.
2. During single-beat writes, data is written without correcting single-bit errors that may occur on the read portion of the read-modify-write. Check-bits are generated for the data being written.
3. During single-beat writes, the write portion of the read-modify-write happens regardless of whether there is a multiple-bit error during the read portion. No correction of data is attempted. Check-bits are generated for the data being written.
4. During scrub cycles, if **swen** is set, a read-writes to SDRAM happens with no attempt to correct data bits. Check-bits are generated for the data being written.

derc is useful for initializing SDRAM after power-up and for testing SDRAM, but it should be cleared during normal system operation.

apien When **apien** is set, the logging of a PPC60x address parity error causes the **int** bit to be set if it is not already. When the **int** bit is set, the Hawk's internal error interrupt is asserted.

scien When **scien** is set, the rolling over of the **SBE COUNT** register causes the **int** bit to be set if it is not already. When the **int** bit is set, the Hawk's internal error interrupt is asserted.

dpien When **dpien** is set, the logging of a PPC60x data parity error causes the **int** bit to be set if it is not already. When the **int** bit is set, the Hawk's internal error interrupt is asserted.

sien When **sien** is set, the logging of a single-bit error causes the **int** bit to be set if it is not already. When the **int** bit is set, the Hawk's internal error interrupt is asserted.

mien When **mien** is set, the logging of a non-correctable error causes the **int** bit to be set if it is not already. When the **int** bit is set, the Hawk's internal error interrupt is asserted.

int **int** is set when one of the SMC's interrupt conditions occurs. It is cleared by reset or by software writing a one to it. The Hawk's internal error interrupt tracks **int**. When **int** is set, Hawk's internal error interrupt is asserted. When **int** is cleared, Hawk's internal error interrupt is negated.

mbe me When **mbe me** is set, the detection of a multiple-bit error during a PowerPC read or write to SDRAM causes the SMC to pulse its machine check interrupt request pin (MCHK0_) true. When **mbe me** is cleared, the SMC does not assert its MCHK0_ pin on multiple-bit errors.

The SMC never asserts its MCHK0_ pin in response to a multiple-bit error detected during a scrub cycle.



The Hawk's internal error interrupt and the MCHK0_ pin are the only non-pollled notification that a multiple-bit error has occurred. The SMC does not assert TEA as a result of a multiple bit error. In fact, the SMC does not have a TEA_ signal pin and it assumes that the system does not implement TEA.

Error Logger Register

Address	\$FEF80030																																		
Bit	0	1	2	3	4	5	6	7	8	9	10	11	12	13	14	15	16	17	18	19	20	21	22	23	24	25	26	27	28	29	30	31			
Name	<u>elog</u>	0	0	0	<u>escb</u>	<u>esen</u>	<u>embt</u>	<u>esbt</u>	<u>ERR_SYNDROME</u>								0	<u>esbk0</u>	<u>esbk1</u>	<u>esbk2</u>	0	0	0	0	0	0	<u>sc0f</u>	<u>SBE COUNT</u>							
Operation	R/C	R	R	R	R	R/W	R	R	READ ONLY								R	R	R	R	R	R	R	R	R	R	R/C	READ/WRITE							
Reset	0P	X	X	X	0P	0PL	0P	0P	0P								X	0P	0P	0P	X	X	X	X	X	X	0P	0P							

elog When set, **elog** indicates that a single- or a multiple-bit error has been logged by the SMC. If **elog** is set by a multiple-bit error, then no more errors will be logged until software clears it. If **elog** is set by a single-bit error, then no more single-bit errors will be logged until software clears it, however if **elog** is set by a single-bit error and a multiple-bit error occurs, the multiple-bit error *will* be logged and the single-bit error information overwritten. **elog** can only be set by the logging of an error and cleared by the writing of a one to itself or by power-up reset.

escb **escb** indicates the entity that was accessing SDRAM at the last logging of a single- or multiple-bit error by the SMC. If **escb** is 1, it indicates that the scrubber was accessing SDRAM. If **escb** is 0, it indicates that the PPC60x bus master was accessing SDRAM.

esen When set, **esen** allows errors that occur during scrubs to be logged. When cleared, **esen** does not allow errors that occur during scrubs to be logged.

embt **embt** is set by the logging of a multiple-bit error. It is cleared by the logging of a single-bit error. It is undefined after power-up reset. The syndrome code is meaningless if its **embt** bit is set.

- esbt** **esbt** is set by the logging of a single-bit error. It is cleared by the logging of a multiple-bit error. When the SMC logs a single-bit error, the syndrome code indicates which bit was in error. Refer to the section on *SDRAM ECC Codes*.
- ERR_SYNDROME** **ERR_SYNDROME** reflects the syndrome value at the last logging of an error. This eight-bit code indicates the position of the data error. When all the bits are zero, there was no error. Note that if the logged error was multiple-bit then these bits are meaningless. Refer to the section on *SDRAM ECC Codes* for a decoding of the syndromes.
- esblk0,esblk1, esbik2** Together these three bits indicate which block of SDRAM was being accessed when the SMC logged a scrub error. **esblk0,esblk1, esbik2** are 0,0,0 for Block A; 0,0,1 for Block B; 0,1,0 for Block C; and 0,1,1 for Block D, etc.
- scof** **scof** is set by the **SBE COUNT** register rolling over from \$FF to \$00. It is cleared by software writing a 1 to it.
- SBE COUNT** **SBE COUNT** keeps track of the number of single-bit errors that have occurred since it was last cleared. It counts up by one each time it detects a single-bit error (independent of the state of the **elog** bit). The **SBE COUNT** is cleared by power-up reset and by software writing all zeros to itself. When **SBE COUNT** rolls over from \$FF to \$00, the SMC sets the **scof** bit. The rolling over of **SBE COUNT** pulses the Hawk's internal error interrupt low if the **scien** bit is set.

Error_Address Register

Address	\$FEF80038																															
Bit	0	1	2	3	4	5	6	7	8	9	10	11	12	13	14	15	16	17	18	19	20	21	22	23	24	25	26	27	28	29	30	31
Name	<i>ERROR_ADDRESS</i>																															
Operation	READ ONLY																												R	0	R	0
Reset	0 P																												X	X	X	X

ERROR_ADDRESS These bits reflect the value that corresponds to bits 0-28 of the PPC60x address bus when the SMC last logged an error during a PowerPC access to SDRAM. They reflect the value of the SCRUB ADDRESS counter if the error was logged during a scrub cycle.

Scrub/Refresh Register

Address	\$FEF80040																															
Bit	0	1	2	3	4	5	6	7	8	9	10	11	12	13	14	15	16	17	18	19	20	21	22	23	24	25	26	27	28	29	30	31
Name	<i>scb0</i>	<i>scb1</i>	0	0	0	0	0	0	<i>swen</i>															<u>SCRUB FREQUENCY</u>								
Operation	R	R	R	R	R	R	R	R	R/W	READ ZERO							READ ZERO							READ/WRITE								
Reset	0 P	0 P	X	X	X	X	X	X	0 P	X							X							\$00 P								

scb0, scb1 These bits increment every time the scrubber completes a scrub of the entire SDRAM. When they reach binary 11, they roll over to binary 00 and continue. These bits are cleared by power-up reset.

swen When set, **swen** allows the scrubber to perform write cycles. When cleared, **swen** prevents scrubber writes.

SCRUB FREQUENCY Determines the rate of scrubbing by setting the roll-over count for the scrub prescale counter. Each time the SMC performs a refresh burst, the scrub prescale counter increments by one. When the scrub prescale counter reaches the value stored in this register, it clears and resumes counting starting at 0.

Note that when this register is all 0's, the scrub prescale counter does not increment, disabling any scrubs from occurring. Since **SCRUB FREQUENCY** is cleared to 0's at power-up reset, scrubbing is disabled until software programs a non-zero value into it.

Scrub Address Register

Address	\$FEF80048																															
Bit	0	1	2	3	4	5	6	7	8	9	10	11	12	13	14	15	16	17	18	19	20	21	22	23	24	25	26	27	28	29	30	31
Name	0	1	2	<u>SCRUB ADDRESS</u>																								0	0	0	0	
Operation	R	R	R	READ/WRITE																								R	R	R	R	
Reset	X	X	X	0 P																								X	X	X	X	

SCRUB ADDRESS These bits form the address counter used by the scrubber for all blocks of SDRAM. The scrub address counter increments by one each time a scrub to one location completes to all of the blocks of SDRAM. When it reaches all 1s, it rolls back over to all 0s and continues counting. The **SCRUB ADDRESS** counter is readable and writable for test purposes.

Note that for each block, the most significant bits of **SCRUB ADDRESS COUNTER** are meaningful only when their SDRAM devices are large enough to require them.

ROM A Base/Size Register

Address	\$FEF80050																																					
Bit	0	1	2	3	4	5	6	7	8	9	10	11	12	13	14	15	16	17	18	19	20	21	22	23	24	25	26	27	28	29	30	31						
Name	<u>ROM A BASE</u>											<i>rom_a_64</i>	<i>rom_a_siz0</i>	<i>rom_a_siz1</i>	<i>rom_a_siz2</i>																	<i>rom_a_wg</i>	<i>rom_a_en</i>	<i>rom_a_rv</i>				
Operation	READ/WRITE											R	R/W	R/W	R/W	READ ZERO																R	R	R	R	R/W	R/W	R/W
Reset	\$FF0 PL											V P	0 PL	0 PL	0 PL	X																X	X	X	X	X	0 PL	0 PL

Writes to this register must be enveloped by a period of time in which no accesses to ROM/Flash Block A, occur. A simple way to provide the envelope is to perform at least two accesses to this or another of the SMC's registers before and after the write.

ROM A BASE These control bits define the base address for ROM/Flash Block A. **ROM A BASE** bits 0-11 correspond to PPC60x address bits 0 - 11 respectively. For larger ROM/Flash sizes, the lower significant bits of **ROM A BASE** are ignored. This means that the block's base address will always appear at an even multiple of its size. **ROM A BASE** is initialized to \$FF0 at power-up or local bus reset.

Note that in addition to the programmed address, the first **1Mbyte of Block A also appears at \$FFF00000 - \$FFFFFFF** if the ***rom_a_rv*** bit is set and the ***rom_b_rv*** bit is cleared.

Also note that the combination of **ROM A BASE** and **rom_a_siz** should never be programmed such that ROM/Flash Block A responds at the same address as the CSR, SDRAM, External Register Set, or any other slave on the PowerPC bus.

rom_a_64 ***rom_a_64*** indicates the width of ROM/Flash being used for Block A. When ***rom_a_64*** is cleared, Block A is 16 bits wide, where each half of SMC interfaces to 8 bits. When ***rom_a_64*** is set, Block A is 64 bits wide, where

each half of the SMC interfaces to 32 bits. **rom_a_64** matches the value that was on the RD2 pin at power-up reset. It cannot be changed by software.

rom a siz The **rom a siz** control bits are the size of ROM/Flash for Block A. They are encoded as shown in Table 3-11.

Table 3-11. ROM Block A Size Encoding

rom a siz	BLOCK SIZE
%000	1MB
%001	2MB
%010	4MB
%011	8MB
%100	16MB
%101	32MB
%110	64MB
%111	Reserved

rom a rv **rom a rv** and **rom b rv** determine which if either of Blocks A and B is the source of reset vectors or any other access in the range \$FFF00000 - \$FFFFFFF as shown in the table below.

Table 3-12. rom a rv and rom b rv encoding

rom a rv	rom b rv	Result
0	0	Neither Block is the source of reset vectors.
0	1	Block B is the source of reset vectors.
1	0	Block A is the source of reset vectors.
1	1	Block B is the source of reset vectors.

rom_a_rv is initialized at power-up reset to match the value on the RD0 pin.

rom_a_en When **rom_a_en** is set, accesses to Block A ROM/Flash in the address range selected by **ROM_A_BASE** are enabled. When **rom_a_en** is cleared, they are disabled.

rom_a_we When **rom_a_we** is set, writes to Block A ROM/Flash are enabled. When **rom_a_we** is cleared, they are disabled. Note that if **rom_a_64** is cleared, only 1-byte writes are allowed. If **rom_a_64** is set, only 4-byte writes are allowed. The SMC ignores other writes. If a valid write is attempted and **rom_a_we** is cleared, the write does not happen but the cycle is terminated normally. See [Table 3-13](#) for details of ROM/Flash accesses.

Table 3-13. Read/Write to ROM/Flash

Cycle	Transfer Size	Alignment	<i>rom_x_64</i>	<u>rom_x_we</u>	Hawk Response
write	1-byte	X	0	0	Normal termination, but no write to ROM/Flash
write	1-byte	X	0	1	Normal termination, write occurs to ROM/Flash
write	1-byte	X	1	X	No Response
write	4-byte	Misaligned	X	X	No Response
write	4-byte	Aligned	0	X	No Response
write	4-byte	Aligned	1	0	Normal termination, but no write to ROM/Flash
write	4-byte	Aligned	1	1	Normal termination, write occurs to ROM/Flash
write	2,3,5,6,7,8,32-byte	X	X	X	No Response
read	X	X	X	X	Normal Termination

ROM B Base/Size Register

Address	\$FEF80058																																														
Bit	0	1	2	3	4	5	6	7	8	9	10	11	12	13	14	15	16	17	18	19	20	21	22	23	24	25	26	27	28	29	30	31															
Name	ROM B BASE											rom_b_64	rom_b_siz0	rom_b_siz1	rom_b_siz2																rom_b_we	rom_b_en	rom_b_rv														
Operation	READ/WRITE											R	R/W	R/W	R/W	READ ZERO															R	R	R	R	R	R	R	R	R	R	R	R	R	R	R	R	
Reset	\$FF4 PL											V P	0 PL	0 PL	0 PL	X															X	X	X	X	X	X	X	X	X	X	X	X	X	X	X	X	X

Writes to this register must be enveloped by a period of time in which no accesses to ROM/Flash Block B, occur. A simple way to provide the envelope is to perform at least two accesses to this (or another of the SMC's registers before and after the write).

ROM B BASE These control bits define the base address for ROM/Flash Block B. **ROM B BASE** bits 0-11 correspond to PPC60x address bits 0 - 11 respectively. For larger ROM/Flash sizes, the lower significant bits of **ROM B BASE** are ignored. This means that the block's base address will always appear at an even multiple of its size. **ROM B BASE** is initialized to \$FF4 at power-up or local bus reset.

Note that in addition to the programmed address, the first **1Mbyte of Block B also appears at \$FFF00000 - \$FFFFFFF** if the **rom_b_rv** bit is set.

Also note that the combination of **ROM B BASE** and **rom_b_siz** should never be programmed such that ROM/Flash Block B responds at the same address as the CSR, SDRAM, External Register Set, or any other slave on the PowerPC bus.

rom_b_64 **rom_b_64** indicates the width of ROM/Flash device/devices being used for Block B. When **rom_b_64** is cleared, Block B is 16 bits wide, where each half of the SMC interfaces to 8 bits. When **rom_b_64** is set, Block B is 64 bits wide, where each half of the SMC interfaces to 32 bits. **rom_b_64** matches the value that was on the RD3 pin at power-up reset. It cannot be changed by software.

rom_b_siz The **rom_b_siz** control bits are the size of ROM/Flash for Block B. They are encoded as shown in [Table 3-14](#).

Table 3-14. ROM Block B Size Encoding

rom_b_siz	BLOCK SIZE
%000	1MB
%001	2MB
%010	4MB
%011	8MB
%100	16MB
%101	32MB
%110	64MB
%111	Reserved

rom_b_rv **rom_b_rv** and **rom_a_rv** determine which if either of Blocks A and B is the source of reset vectors or any other access in the range \$FFF00000 - \$FFFFFFF as shown in [Table 3-12](#).

rom_b_rv is initialized at power-up reset to match the value on the RD1 pin.

rom_b_en When **rom_b_en** is set, accesses to Block B ROM/Flash in the address range selected by **ROMB BASE** are enabled. When **rom_b_en** is cleared they are disabled.

rom b we When **rom b we** is set, writes to Block B ROM/Flash are enabled. When **rom b we** is cleared, they are disabled. Refer back to [Table 3-13](#) for more details.

ROM Speed Attributes Registers

Address	\$FEF80060																																
Bit	0	1	2	3	4	5	6	7	8	9	10	11	12	13	14	15	16	17	18	19	20	21	22	23	24	25	26	27	28	29	30	31	
Name																								rom a spd0	rom a spd1							rom b spd0	rom b spd1
Operation	READ ZERO							READ ZERO							READ ZERO							R	R	R/W	R/W	R	R	R	R	R	R	R/W	R/W
Reset	X							X							X							X	X	0 PL	0 PL	X	X	X	X	X	X	0 PL	0 PL

rom a spd0,1 **rom a spd0,1** determine the access timing used for ROM/Flash Block A. The encoding of these bits are shown in [Table 3-15](#).

The device access times shown in the table are conservative and allow time for buffers on address, control, and data signals. For more accurate information see the section entitled *Timing Specifications for ROM/Flash Signals* further on in this manual, along with the section titled *ROM/Flash Read Timing Diagram*.

Writes that change these bits must be enveloped by a period of time in which no accesses to ROM/Flash Block A, occur. A simple way to provide the envelope is to perform at least two accesses to this or another of the SMC's registers before and after the write.

Table 3-15. ROM Speed Bit Encodings

rom_a/b_spd0,1	Approximate ROM Block A/B Device Access Time
%00	12 Clock Periods (120ns @ 100 MHz, 180ns @ 66.67 MHz)
%01	8 Clock Periods (80ns @ 100 MHz, 120ns @ 66.67 MHz)
%10	5 Clock Periods (50ns @ 100 MHz, 75ns @ 66.67 MHz)
%11	3 Clock Periods (30ns @ 100 MHz, 45ns @ 66.67 MHz)

rom b spd0,1 **rom b spd0,1** determine the access timing used for ROM/Flash Block B. Refer to the table above.

Writes that change these bits must be enveloped by a period of time in which no accesses to ROM/Flash, Bank B, occur. A simple way to provide the envelope is to perform at least two accesses to this or another of the SMC's registers before and after the write.

Data Parity Error Log Register

Address	\$FEF80068																																		
Bit	0	1	2	3	4	5	6	7	8	9	10	11	12	13	14	15	16	17	18	19	20	21	22	23	24	25	26	27	28	29	30	31			
Name	<u>dpe</u> _{log}							<u>dpe</u> _{tt0-4}							DPE_DP							<u>dpe</u> _{ckall}							GWDP						
Operation	R/C	R	R	R	R	R	R	R	READ ONLY							R	R	R	R	R	R	R	R	R	R	R/W	R/W	READ/WRITE							
Reset	0 P	X	0 P	0 P	0 P	0 P	0 P	0 P	0 P							X	X	X	X	X	X	X	X	X	X	0 PL	0 PL	0 PL							

dpe_{log}

dpe_{log} is set when a parity error occurs on the PPC60x data bus during a PPC60x data cycle whose parity the SMC is qualified to check. It is cleared by writing a one to it or by power-up reset.

dpe_{tt0-4}

dpe_{tt} is the value that was on the TT0-TT4 signals when the **dpe_{log}** bit was set.

DPE_DP

DPE_DP is the value that was on the DP0-DP7 signals when the **dpe_{log}** bit was set.

dpe_{ckall}

When **dpe_{ckall}** is set, the Hawk checks data parity on all cycles in which TA_ is asserted. When **dpe_{ckall}** is cleared, the Hawk checks data parity on cycles when TA_ is asserted only during writes to the Hawk.

Note that the Hawk does not check parity during cycles in which there is a qualified ARTRY_ at the same time as the TA_.

dpe_{me}

When **dpe_{me}** is set, the transition of the **dpe_{log}** bit from false to true causes the Hawk to pulse its machine check interrupt request pin (MCHK0_) true. When **dpe_{me}** is cleared, the Hawk does not assert its MCHK0_ pin based on the **dpe_{log}** bit.

GWDP

The GWDP0-GWDP7 bits are used to invert the value that is driven onto DP0-DP7 respectively during reads to the Hawk. This allows test software to generate wrong (even) parity on selected byte lanes. For example, to create a parity error on DH24-DH31 and DP3 during Hawk reads, software should set GWDP3.

Data Parity Error Address Register

Address	\$FEF80070																															
Bit	0	1	2	3	4	5	6	7	8	9	10	11	12	13	14	15	16	17	18	19	20	21	22	23	24	25	26	27	28	29	30	31
Name	<i>DPE_A</i>																															
Operation	READ ONLY																															
Reset	0 PL																															

DPE_A

DPE_A is the address of the last PPC60x data bus parity error that was logged by the Hawk. It is updated only when **dpelog** goes from 0 to 1.

Data Parity Error Upper Data Register

Address	\$FEF80078																															
Bit	0	1	2	3	4	5	6	7	8	9	10	11	12	13	14	15	16	17	18	19	20	21	22	23	24	25	26	27	28	29	30	31
Name	<i>DPE_DH</i>																															
Operation	READ ONLY																															
Reset	0 PL																															

DPE_DH

DPE_DH is the value on the upper half of the PPC60x data bus at the time of the last logging of a PPC60x data bus parity error by the Hawk. It is updated only when **dpelog** goes from 0 to 1.

Data Parity Error Lower Data Register

Address	\$FEF80080																															
Bit	0	1	2	3	4	5	6	7	8	9	10	11	12	13	14	15	16	17	18	19	20	21	22	23	24	25	26	27	28	29	30	31
Name	<i>DPE_DL</i>																															
Operation	READ ONLY																															
Reset	0 PL																															

DPE_DL

DPE_DL is the value on the lower half of the PPC60x data bus at the time of the last logging of a PPC60x data bus parity error by the Hawk. It is updated only when **dpelog** goes from 0 to 1.

I²C Clock Prescaler Register

Address	\$FEF80090																															
Bit	0	1	2	3	4	5	6	7	8	9	10	11	12	13	14	15	16	17	18	19	20	21	22	23	24	25	26	27	28	29	30	31
Name																	<u>I2 PRESCALE VAL</u>															
Operation	READ ZERO								READ ZERO								READ/WRITE															
Reset	X								X								\$01F3 P															

I2 PRESCALE VAL

I2 PRESCALE VAL is a 16-bit register value that will be used in the following formula for calculating frequency of the I²C gated clock signal:

$$\text{I}^2\text{C CLOCK} = \text{SYSTEM CLOCK} / (\text{I2 PRESCALE VAL} + 1) / 2$$

After power-up, I2 PRESCALE VAL is initialized to \$1F3 which produces a 100 KHz I²C gated clock signal based on a 100.0 MHz system clock. **Writes to this register will be restricted to 4-bytes only.**

I²C Control Register

Address	\$FEF80098																																									
Bit	0	1	2	3	4	5	6	7	8	9	10	11	12	13	14	15	16	17	18	19	20	21	22	23	24	25	26	27	28	29	30	31										
Name																																										
Operation	READ ZERO								READ ZERO								READ ZERO								R	R	R	R	R/W	R/W	R/W	R/W	R/W	R/W	R/W	R/W	R/W	R/W	R/W	R/W	R/W	R/W
Reset	X								X								X								X	X	X	X	0 PL	0 PL	0 PL	0 PL	0 PL	0 PL	0 PL	0 PL	0 PL	0 PL	0 PL	0 PL	0 PL	0 PL

i2_start

When set, the I²C master controller generates a start sequence on the I²C bus on the next write to the I²C Transmitter Data Register and clears the *i2_cmplt* bit in the I²C Status Register. After the start sequence and the I²C Transmitter Data Register contents have been transmitted, the I²C master controller will automatically clear the i2_start bit and then set the *i2_cmplt* bit in the I²C Status Register.

i2_stop When set, the I²C master controller generates a stop sequence on the I²C bus on the next dummy write (data=don't care) to the I²C Transmitter Data Register and clears the *i2_cmplt* bit in the I²C Status Register. After the stop sequence has been transmitted, the I²C master controller will automatically clear the **i2_stop** bit and then set the *i2_cmplt* bit in the I²C Status Register.

i2_ackout When set, the I²C master controller generates an acknowledge on the I²C bus during read cycles. This bit should be used *only* in the I²C *sequential* read operation and *must* remain cleared for all other I²C operations. For I²C sequential read operation, this bit should be set for every single byte received except on the last byte in which case it should be cleared.

i2_enbl When set, the I²C master interface will be enabled for I²C operations. If clear, reads and writes to all I²C registers are still allowed but no I²C bus operations will be performed.

I²C Status Register

Address	\$FEF800A0																																						
Bit	0	1	2	3	4	5	6	7	8	9	10	11	12	13	14	15	16	17	18	19	20	21	22	23	24	25	26	27	28	29	30	31							
Name																																							
Operation	READ ZERO							READ ZERO							READ ZERO							R	R	R	R	R	R	R	R	R	R	R	R	R	R	R	R	R	
Reset	X							X							X							X	X	X	X	X	X	X	X	X	X	X	X	X	X	X	X	X	

i2_datin This bit is set whenever the I²C master controller has successfully received a byte of read data from an I²C bus slave device. This bit is cleared after the I²C Receiver Data Register is read.

i2_err This bit is set when both **i2_start** and **i2_stop** bits in the I²C Control Register are set at the same time. The I²C master controller will then clear the contents of the I²C Control

- Register, and further writes to the I²C Control Register will not be allowed until after the I²C Status Register is read. A read from the I²C Status Register will clear this bit.
- i2_ackin*** This bit is set if the addressed slave device is acknowledged to either a start sequence or data writes from the I²C master controller and cleared otherwise. The I²C master controller will automatically clear this bit at the beginning of the next valid I²C operation.
- i2_cmplt*** This bit is set after the I²C master controller has successfully completed the requested I²C operation and cleared at the beginning of every valid I²C operation. This bit is also set after power-up.

I²C Transmitter Data Register

Address	\$FEF800A8																															
Bit	0	1	2	3	4	5	6	7	8	9	10	11	12	13	14	15	16	17	18	19	20	21	22	23	24	25	26	27	28	29	30	31
Name																	<u>I2_DATAWR</u>															
Operation	READ ZERO							READ ZERO							READ ZERO							READ/WRITE										
Reset	X							X							X							0 PL										

I2_DATAWR The **I2_DATAWR** contains the transmit byte for I²C data transfers. If a value is written to **I2_DATAWR** when the **i2_start** and **i2_enbl** bits in the I²C Control Register are set, a start sequence is generated immediately followed by the transmission of the contents of the **I2_DATAWR** to the responding slave device. The **I2_DATAWR[24:30]** is the device address, and the **I2_DATAWR[31]** is the WR/RD bit (0=WRite, 1=ReaD). After a start sequence with **I2_DATAWR[31]**=0, subsequent writes to the I²C Transmitter Data Register will cause the contents of **I2_DATAWR** to be transmitted to the responding slave device. After a start sequence with **I2_DATAWR[31]**=1, subsequent writes to the I²C Transmitter Data Register (data=don't care) will cause the responding slave device to transmit data to the I²C Receiver Data Register. If a value is written to **I2_DATAWR** (data=don't care) when the **i2_stop** and **i2_enbl** bits in the I²C Control Register are set, a stop sequence is generated.

I²C Receiver Data Register

Address	\$FEF800B0																															
Bit	0	1	2	3	4	5	6	7	8	9	10	11	12	13	14	15	16	17	18	19	20	21	22	23	24	25	26	27	28	29	30	31
Name																									<i>I2_DATARD</i>							
Operation	READ ZERO								READ ZERO								READ ZERO								READ							
Reset	X								X								X								0 PL							

I2_DATARD The *I2_DATARD* contains the receive byte for I²C data transfers. During I²C *sequential* read operation, the current receive byte must be read before any new one can be brought in. A read of this register will automatically clear the *i2_datin* bit in the I²C Status Register.

SDRAM Enable and Size Register (Blocks E,F,G,H)

Address	\$FEF800C0																																
Bit	0	1	2	3	4	5	6	7	8	9	10	11	12	13	14	15	16	17	18	19	20	21	22	23	24	25	26	27	28	29	30	31	
Name	<u>ram e en</u>				<u>ram e siz0</u>	<u>ram e siz1</u>	<u>ram e siz2</u>	<u>ram e siz3</u>	<u>ram f en</u>				<u>ram f siz0</u>	<u>ram f siz1</u>	<u>ram f siz2</u>	<u>ram f siz3</u>	<u>ram g en</u>				<u>ram g siz0</u>	<u>ram g siz1</u>	<u>ram g siz2</u>	<u>ram g siz3</u>	<u>ram h en</u>				<u>ram h siz0</u>	<u>ram h siz1</u>	<u>ram h siz2</u>	<u>ram h siz3</u>	
Operation	R/W	R	R	R	R/W	R/W	R/W	R/W	R/W	R	R	R	R/W	R/W	R/W	R/W	R/W	R	R	R	R/W	R/W	R/W	R/W	R/W	R/W	R	R	R	R/W	R/W	R/W	R/W
Reset	0 PL	X	X	X	0 P	0 P	0 P	0 P	0 PL	X	X	X	0 P	0 P	0 P	0 P	0 PL	X	X	X	0 P	0 P	0 P	0 P	0 PL	X	X	X	0 P	0 P	0 P	0 P	

Writes to this register must be enveloped by a period of time in which no accesses to SDRAM occur. The requirements of the envelope are that all SDRAM accesses must have completed before the write starts and none should begin until after the write is done. A simple way to do this is to perform at least two read accesses to this or another register before and after the write.

Additionally, sometime during the envelope, before or after the write, all of the SDRAMs' open pages must be closed and the Hawk's open page tracker reset. The way to do this is to allow enough time for at least one SDRAM refresh to occur by waiting for the 32-bit Counter (see section further on) to increment at least 100 times. The wait period needs to happen during the envelope.

ram e/f/g/h en **ram e/f/g/h en** enables accesses to the corresponding block of SDRAM when set, and disables them when cleared.

Note that **ram a/b/c/d en** are located at \$FEF80010 (refer to the section on SDRAM Enable and Size Register (Blocks A,B,C,D) in a previous section). They operate the same for blocks A-D as these bits do for blocks E-H.

ram e/f/g/h siz0-3 These control bits define the size of their corresponding block of SDRAM. Note that **ram a/b/c/d siz0-3** are located at \$FEF80010. They operate identically for blocks A-D as these bits do for blocks E-H. The table associated with the previous section on blocks A,B,C,D shows how these bits relate to the block configuration.

SDRAM Base Address Register (Blocks E/F/G/H)

Address	\$FEF800C8																															
Bit	0	1	2	3	4	5	6	7	8	9	10	11	12	13	14	15	16	17	18	19	20	21	22	23	24	25	26	27	28	29	30	31
Name	<u>RAM E BASE</u>								<u>RAM F BASE</u>								<u>RAM G BASE</u>								<u>RAM H BASE</u>							
Operation	READ/WRITE								READ/WRITE								READ/WRITE								READ/WRITE							
Reset	0 PL								0 PL								0 PL								0 PL							

Writes to this register must be enveloped by a period of time in which no accesses to SDRAM occur. The requirements of the envelope are that all SDRAM accesses must have completed before the write starts and none should begin until after the write is done. A simple way to do this is to perform at least two read accesses to this or another register before and after the write.

Additionally, sometime during the envelope, before or after the write, all of the SDRAMs' open pages must be closed and the Hawk's open page tracker reset. The way to do this is to allow enough time for at least one SDRAM refresh to occur by waiting for the 32-Bit Counter to increment at least 100 times. The wait period needs to happen during the envelope.

RAM E/F/G/H BASE These control bits define the base address for their block's SDRAM. **RAM E/F/G/H BASE** bits 0-7/8-15/16-23/24-31 correspond to PowerPC60x address bits 0 - 7. For larger SDRAM sizes, the lower significant bits of **RAM E/F/G/HBASE** are ignored. This means that the block's base address will always appear at an even multiple of its size. Remember that bit 0 is MSB.

Note that **RAM A/B/C/D BASE** are located at \$FEF80018 (refer to the section titled *SDRAM Base Address Register (Blocks A/B/C/D)* for more information). They operate the same for blocks A-D as these bits do for blocks E-H.

Also note that the combination of **RAM X BASE** and **ram x siz** should never be programmed such that SDRAM responds at the same address as the CSR, ROM/Flash, External Register Set, or any other slave on the PowerPC bus.

SDRAM Speed Attributes Register

Address	\$FEF800D0																																
Bit	0	1	2	3	4	5	6	7	8	9	10	11	12	13	14	15	16	17	18	19	20	21	22	23	24	25	26	27	28	29	30	31	
Name	0	0	cl3	0	irc0	irc1	irc2	0	0	iras0	iras1	0	0	0	swr_dpll	tdp	0	0	0	0	0	0	0	ircd	0	0	0	0	0	0	0	0	0
Operation	R	R	R/W	R	R/W	R/W	R/W	R	R	R/W	R/W	R	R	R	R/W	R/W	R	R	R	R/W	R	R	R	R/W	R/W	R	R	R	R	R	R	R	
Reset	X	X	X	X	X	X	X	X	X	X	X	X	X	X	X	X	X	X	X	X	X	X	X	X	X	X	X	X	X	X	X	X	

The SDRAM Speed Attributes Register should be programmed based on the SDRAM device characteristics and the Hawk's operating frequency to ensure reliable operation.

In order for writes to this register to work properly they should be separated from any SDRAM accesses by a refresh before the write and by another refresh after the write. The refreshes serve two purposes: 1) they make sure that all of the SDRAMs are idle ensuring that mode-register-set operations for **cl3** updates work properly, and 2) they make sure that no SDRAM accesses happen during the write. A simple way to meet these requirements is to use the following sequence:

1. Make sure all accesses to SDRAM are done.
2. Wait for the "32-Bit Counter" (refer to section further on) to increment at least 100 times.
3. Perform the write/writes to this register (and other SMC registers if desired).
4. Wait again for the "32-Bit Counter" to increment at least 100 times before resuming accesses to SDRAM.

cl3 When **cl3** is cleared, the SMC assumes that the SDRAM runs with a CAS_latency of 2. When **cl3** is set, the SMC assumes that it runs with a CAS_latency of 3. Note that writing so as to change **cl3** from 1 to 0 or vice-versa causes the SMC to perform a mode-register-set operation to the SDRAM array. The mode-register-set operation updates the SDRAM's CAS latency to match **cl3**.

trc0,1,2 Together **trc0,1,2** determine the minimum number of clock cycles that the SMC assumes the SDRAM requires to satisfy its Trc parameter. These bits are encoded as follows:

Table 3-16. Trc Encoding

<u>trc0,1,2</u>	Minimum Clocks for Trc
%000	8
%001	9
%010	10
%011	11
%100	reserved
%101	reserved
%110	6
%111	7

tras0,1 Together **tras0,1** determine the minimum number of clock cycles that the SMC assumes the SDRAM requires to satisfy its tRAS parameter. These bits are encoded as follows:

Table 3-17. tras Encoding

<u>tras0,1</u>	Minimum Clocks for tras
%00	4
%01	5
%10	6
%11	7

- swr_dpl** **swr_dpl** causes the SMC to always wait until four clocks after the write command portion of a single write before allowing a precharge to occur. This function may not be required. If such is the case, **swr_dpl** can be cleared by software.
- tdp** **tdp** determines the minimum number of clock cycles that the SMC assumes the SDRAM requires to satisfy its Tdp parameter. When **tdp** is 0, the minimum time provided for Tdp is 1 clock. When **tdp** is 1, the minimum is 2 clocks.
- trp** **trp** determines the minimum number of clock cycles that the SMC assumes the SDRAM requires to satisfy its Trp parameter. When **trp** is 0, the minimum time provided for Trp is 2 clocks. When **trp** is 1, the minimum is 3 clocks.
- trcd** **trcd** determines the minimum number of clock cycles that the SMC assumes the SDRAM requires to satisfy its Trcd parameter. When **trcd** is 0, the minimum time provided for Trcd is 2 clocks. When **trcd** is 1, the minimum is 3 clocks.

Address Parity Error Log Register

Address	\$FEF800E0																																					
Bit	0	1	2	3	4	5	6	7	8	9	10	11	12	13	14	15	16	17	18	19	20	21	22	23	24	25	26	27	28	29	30	31						
Name	<i>apelog</i>	0	0	<i>ape_tt0</i>	<i>ape_tt1</i>	<i>ape_tt2</i>	<i>ape_tt3</i>	<i>ape_tt4</i>	0	0	0	0	<i>ape_ap0</i>	<i>ape_ap1</i>	<i>ape_ap2</i>	<i>ape_ap3</i>	0	0	0	0	0	0	0	<i>ape_me</i>														
Operation	R/C	R	R	R	R	R	R	R	R	R	R	R	R	R	R	R	R	R	R	R	R	R	R	R/W	READ ZERO													
Reset	0P	X	X	0P	0P	0P	0P	0P	X	X	X	X	0P	0P	0P	0P	X	X	X	X	X	X	X	0P	X													

apelog **apelog** is set when a parity error occurs on the PPC60x address bus during any PPC60x address cycle (TS_ asserted to AACK_ asserted). It is cleared by writing a one to it or by power-up reset.

ape_tt0-4 **ape_tt** is the value that was on the TT0-TT4 signals when the **apelog** bit was set.

ape_ap0-3 **APE_AP** is the value that was on the AP0-AP3 signals when the **apelog** bit was set.

ape_me When **ape_me** is set, the transition of the **apelog** bit from false to true causes the Hawk to pulse its machine check interrupt request pin (MCHK0_) true. When **ape_me** is cleared, **apelog** does not affect the MCHK0_ pin.

Address Parity Error Address Register

Address	\$FEF800E8																															
Bit	0	1	2	3	4	5	6	7	8	9	10	11	12	13	14	15	16	17	18	19	20	21	22	23	24	25	26	27	28	29	30	31
Name	APE_A																															
Operation	READ ONLY																															
Reset	0 PL																															

APE_A **APE_A** is the address of the last PPC60x address bus parity error that was logged by the Hawk. It is updated only when **apelog** goes from 0 to 1.

32-Bit Counter

Address	\$FEF80100																															
Bit	0	1	2	3	4	5	6	7	8	9	10	11	12	13	14	15	16	17	18	19	20	21	22	23	24	25	26	27	28	29	30	31
Name	<u>CTR32</u>																															
Operation	READ/WRITE																															
Reset	0 PL																															

CTR32 CTR32 is a 32-bit, free-running counter that increments once per microsecond if the CLK_FREQUENCY register has been programmed properly. Notice that CTR32 is cleared by power-up and local reset.

Note When the system clock is a fractional frequency, such as 66.67 MHz, CTR32 will count at a fractional amount faster or slower than 1 MHz, depending on the programming of the CLK_FREQUENCY Register.

External Register Set

Address	\$FEF88000 - \$FEF8FFF8																															
Bit	0	1	2	3	4	5	6	7	8	9	10	11	12	13	14	15	16	17	18	19	20	21	22	23	24	25	26	27	28	29	30	31
Name	<u>EXTERNAL REGISTER SET</u>																															
Operation	READ/WRITE																															
Reset	X PL																															

EXTERNAL REGISTER SET The EXTERNAL REGISTER SET is user provided and is external to the Hawk. It is enabled only when the tben_en bit is cleared. When the tben_en bit is set, the EXTERNAL REGISTER SET is disabled and the Hawk does not respond in its range except for the tben register at \$FEF88300.

The tben register (which is internal to Hawk) responds only when tben_en is set.

The Hawk's **EXTERNAL REGISTER SET** interface is similar to that for ROM/Flash Block A and B. In fact, another name for the External Register Set is ROM/Flash Block C. The differences between Blocks A/B and C are that the following parameters are fixed rather than programmable for Block C.

1. The device speed for Block C is fixed at 11 Clocks.
2. The width for Block C is fixed at 64 bits.
3. The address range for Block C is fixed at \$FEF88000-\$FEF8FFF8 (\$FEF98000-\$FEF9FFF8 when Hawk is configured for the alternate CSR base address).
4. Block C is never used for reset vectors.
5. Block C is always enabled unless the **tb_{en}_en** bit is set.
6. Writes to Block C cannot be disabled.

tb_{en} Register

Address	\$FEF88300																															
Bit	0	1	2	3	4	5	6	7	8	9	10	11	12	13	14	15	16	17	18	19	20	21	22	23	24	25	26	27	28	29	30	31
Name			p1_tben	p0_tben																												
Operation	R	R	R/W	R/W	R	R	R	R																								
Reset	X	X	IPL	IPL	X	X	X	X																								

The tb_{en} Register is only enabled when the **tb_{en}_en** bit in the Revision ID/General Control Register is set. When **tb_{en}_en** is cleared, the External Register Set interface is enabled and appears in its designated range.

When **tb_{en}_en** is set, the External Register Set interface is disabled and the SMC does not respond to accesses in its designated range except that it responds to the address of this, tb_{en} register.

p1_tben

When the **tb_{en}_en** bit is set, the L2CLM_input pin becomes the P1_TBEN output pin and it tracks the value on **p1_tben**. When **p1_tben** is 0, the P1_TBEN pin is low and when **p1_tben** is 1, the P1_TBEN pin is high.

When the **tben en** bit is cleared, **p1 tben** has no effect on any pin.

p0 tben

When the **tben en** bit is set, the ERCS_ output pin becomes the P1_TBEN output pin and it tracks the value on **p0 tben**. When **p0 tben** is 0, the P0_TBEN pin is low and when **p1 tben** is 1, the P0_TBEN pin is high.

When the **tben en** bit is cleared, **p0 tben** has no effect on any pin.

Note that when **tben en** is high, L2CLM_ cannot be driven by an external L2 cache controller and no External Register Set devices can be controlled.

Software Considerations

This section contains information that will be useful in programming a system that uses the Hawk.

Programming ROM/Flash Devices

Those who program devices to be controlled by the Hawk should make note of the address mapping that is shown in [Table 3-3](#) and in [Table 3-4](#). For example, when using 8-bit devices, the code will be split so that every other 4-byte segment goes in each device.

Writing to the Control Registers

Software should not change control register bits that affect SDRAM operation while SDRAM is being accessed. Because of pipelining, software should always make sure that the two accesses before and after the updating of critical bits are not SDRAM accesses.

A possible scenario for trouble would be to execute code out of SDRAM while updating the critical SDRAM control register bits. The preferred method is to be executing code out of ROM/Flash and avoiding SDRAM accesses while updating these bits.

Some registers have additional requirements for writing. For more information refer to the register sections in this chapter titled *SDRAM Enable and Size Register (Blocks A,B,C,D)*, *SDRAM Base Address Register (Blocks A/B/C/D)*, *SDRAM Enable and Size Register (Blocks E,F,G,H)*, *SDRAM Base Address Register (Blocks E/F/G/H)*, and *SDRAM Speed Attributes Register*.

Since software has no way of controlling refresh/scrub accesses to SDRAM, the hardware is designed so that updating control bits coincidentally with refreshes is not a problem.

As with SDRAM control bits, software should not change control bits that affect ROM/Flash while the affected Block is being accessed. This generally means that the ROM/Flash size, base address, enable, write enable, etc. are changed only while executing initially in the reset vector area (\$FFF00000 - \$FFFFFFF).

Initializing SDRAM Related Control Registers

In order to establish proper SDRAM operation, software must configure control register bits in Hawk that affect each SDRAM block's speed, size, base address, and enable. The SDRAM speed attributes are the same for all blocks and are controlled by one 32-bit register. The size, base address and enable can be different for each block and are controlled in individual 8-bit registers.

SDRAM Speed Attributes

The SDRAM speed attributes come up from power-up reset initialized to the slowest settings that Hawk is capable of. This allows SDRAM accesses to be performed before the SDRAM speed attributes are known. An example of a need for this is when software requires some working memory that it can use while gathering and evaluating SDRAM device data from serial EEPROM's. Once software knows the SDRAM speed parameters for all blocks, it should discontinue accessing SDRAM for at least one refresh period before and after it programs the SDRAM speed attribute bits.

SDRAM Size

The SDRAM size control bits come up from power-up reset cleared to zero. Once software has determined the correct size for an SDRAM block, it should set the block's size bits to match. The value programmed into the size bits tells the Hawk how big the block is (for map decoding), and how to translate that block's 60x addresses to SDRAM addresses.

Programming a block's size to non-zero also allows it to participate in scrubbing if scrubbing is enabled.

After software programs the size bits, it should wait for a refresh to happen before beginning to access SDRAM.

I²C EEPROMs

Most of the information needed to program the SDRAM speed attributes and size is provided by EEPROM devices that are connected to Hawk's I²C bus. The EEPROM devices contain data in a specific format called Serial Presence Detect (SPD).

SDRAM Base Address and Enable

Each block needs to be programmed for a unique base address that is an even multiple of its size. Once a block's speed attributes, size, and base address have been programmed and time for at least one refresh has passed, it can be enabled.

SDRAM Control Registers Initialization Example

The following is a possible sequence for initializing SDRAM control registers:

1. Get a small piece of SDRAM for software to use for this routine (optional).
This routine assumes that SDRAM related control bits are still at the power-up-reset default settings. We will use a small enough piece of SDRAM that the address signals that are affected by SDRAM size will not matter.
For each SDRAM block:
 - a. Set the block's base address to some even multiple of 32MB (refer to the section titled *SDRAM Base Address Register (Blocks A/B/C/D)* for more information.)
 - b. Set the block's size to 4Mx16 and enable it (refer to the section titled *SDRAM Enable and Size Register (Blocks A,B,C,D)* for more information.)
 - c. Test the first 1MB of the block.
 - d. If the test fails, disable the block, clear its size to 0MB, disable it and then repeat steps 1 through 5 with the next block. If the test passes, go ahead and use the first 1M of the block.
2. Using the I²C bus, determine which memory blocks are present. Using the addressing scheme established by the board designer, probe for SPD's to determine which blocks of SDRAM are present. SPD byte 0 could be used to determine SPD presence. SPD Byte 5 indicates the number of SDRAM blocks that belong to an SPD.
3. Obtain the CAS latency information for all blocks that are present to determine whether to set or to clear the **cl3** bit.
For each SDRAM block that is present:
 - a. Check SPD byte 18 to determine which CAS latencies are supported.
 - b. If a CAS latency of 2 is supported, then go to Step 3. Otherwise, a CAS latency of 3 is all that is supported for this block.

- c. If a CAS latency of 2 is supported, check SPD byte 23 to determine the CAS_latency_2 cycle time. If the CAS_latency_2 cycle time is less than or equal to the period of the system clock then this block can operate with a CAS latency of 2. Otherwise a CAS latency of 3 is all that is supported for this block. If any block does not support a CAS latency of 2, then **cl3** is to be set. If all of the blocks support a CAS latency of 2, then the **cl3** bit is to be cleared. Do not update the **cl3** bit at this point. You will use the information from this step later.
4. Determine the values to use for **tras**, **trp**, **trcd**, and **trc**
 The values to use for **tras**, **trp**, **trcd** and **trc** can be obtained from the SPD. The **tras** bits determine the minimum tRAS time produced by the Hawk. The **trp** bit determines the minimum tRP time produced by the Hawk, etc. Each set of bits should accommodate the slowest block of SDRAM. The SPD parameters are specified in nanoseconds and have to be converted to 60x clock periods for the Hawk. Use the following table to convert SPD bytes 27, 29 and 30 to the correct values for **tras**, **trp**, **trcd** and **trc**. Do not actually update these bits in the Hawk at this time. You will use the information from this step later.

Table 3-18. Deriving **tras, **trp**, **trcd** and **trc** Control Bit Values from SPD Information**

Control Bits	Parameter	Parameter Expressed in CLK Periods	Possible Control Bit Values	
\$FEF800D1 bits 2,3 (tras)	tRAS (SPD Byte 30)	tRAS_CLK = tRAS/T (T = CLK Period in nanoseconds) See Notes 1, 2 and 9	0.0 < tRAS_CLK <= 4.0	tras =%00
			4.0 < tRAS_CLK <=5.0	tras =%01
			5.0 < tRAS_CLK <= 6.0	tras =%10
			6.0 < tRAS_CLK <= 7.0	tras =%11
			7.0 < tRAS_CLK	Illegal

Table 3-18. Deriving tras, trp, trcd and trc Control Bit Values from SPD Information (Continued)

Control Bits	Parameter	Parameter Expressed in CLK Periods	Possible Control Bit Values	
\$FEF800D2 bit 3 (trp)	tRP (SPD Byte 27)	tRP_CLK = tRP/T (T = CLK Period in nanoseconds) See Notes 3, 4 and 9	0.0 < tRP_CLK <= 2	trp =%0
			2.0 < tRP_CLK <= 3	trp =%1
			3 < tRP_CLK	Illegal
\$FEF800D2 bit 7 (trcd)	tRCD (SPD Byte 29)	tRCD_CLK = tRCD/T (T = CLK Period in nanoseconds) See Notes 5, 6 and 9	0.0 < tRCD_CLK <= 2	trcd =%0
			2.0 < tRCD_CLK <= 3	trcd =%1
			3 < tRCD_CLK	Illegal
\$FEF800D0 bits 5,6,7 (trc)	tRC (SPD Bytes 30 and 27)	tRC_CLK = (tRAS + tRP)/T (T = CLK Period in nanoseconds) See Notes 7, 8 and 9	0.0 < tRC_CLK <= 6.0	trc =%110
			6.0 < tRC_CLK <= 7.0	trc =%111
			7.0 < tRC_CLK <= 8.0	trc =%000
			8.0 < tRC_CLK <= 9.0	trc =%001
			9.0 < tRC_CLK <= 10.0	trc =%010
			10.0 < tRC_CLK <= 11.0	trc =%011
			11.0 < tRC_CLK	illegal

- Notes**
1. Use tRAS from the SDRAM block that has the slowest tRAS.
 2. tRAS_CLK is tRAS expressed in CLK periods.
 3. Use tRP from the SDRAM block that has the slowest tRP.
 4. tRP_CLK is tRP expressed in CLK periods.
 5. Use tRCD from the SDRAM block that has the slowest tRCD.
 6. tRCD_CLK is tRCD expressed in CLK periods.
 7. Use tRC from the SDRAM block that has the slowest tRC.
 8. tRC_CLK is tRC expressed in CLK periods.
 9. Remember that CLK is the Hawk's 60x clock input pin.
5. Determine the size for each block that is present.
(Do not actually program the Hawk's size bits at this point. You use this information to program them later.)
Each block's size can be determined using the following algorithm:
- a. Calculate the number of rows in each device using SPD byte 3. If the number of rows is *ROWS* and the value in SPD byte 3 is *R*, then $ROWS=2^R$.
 - b. Calculate the number of columns in each device using SPD byte 4. If the number of columns is *COLUMNS* and the value in SPD byte 4 is *C*, then $COLUMNS=2^C$.
 - c. Calculate the total number of addresses within each device. If the total number of addresses in a device is *A*, then $A=ROWS \times COLUMNS$
 - d. Calculate the total number of locations in the block using the results of step 3 and SPD byte 17. If the total number of locations in the block is *L*, and the value in byte 17 is 4, then $L = A \times 4$
or
 $L = 2^R \times 2^C \times 4$
(Note that the Hawk only works if byte 17 is 4).
 - e. Obtain the primary device width from SPD byte 13.
 - f. Determine the size bits based on the results of steps d and e using the table on the next page.

Table 3-19. Programming SDRAM SIZ Bits

Total Number of Locations within the Block (L) ¹	Primary Device Width ²	Block Size ³	Value to be programmed into the Block's ram_x_siz bits ⁴
4M	16	32MB	%0001
8M	8	64MB	%0010
8M	16	64MB	%0011
16M	4	128MB	%0100
16M	8	128MB	%0101
16M	16	128MB	%0110
32M	4	256MB	%0111
32M	8	256MB	%1000
64M	4	512MB	%1001

- Notes**
1. Total Number of block Locations (L) is $2^R \times 2^C \times 4$ where R is the value in SPD byte 3 and C is the value in SPD byte 4.
 2. Primary Device Width is from SPD byte 13.
 3. Block Size is the total number of block locations (L) x 8 bytes.
 4. **ram_x_siz** refers to **ram_a_siz**, **ram_b_siz**, **ram_c_siz**, etc. (Refer to the sections titled *SDRAM Enable and Size Register (Blocks A,B,C,D)* and *SDRAM Enable and Size Register (Blocks E,F,G,H)* for more information.
 6. Make sure the software is no longer using SDRAM, and disable the block that was being used.
 7. Wait for at least one SDRAM refresh to complete. A simple way to do this is to wait for the 32-bit counter to increment at least 100 times. (Refer to the section titled “32-Bit Counter” for more information). Note that the **refdis** control bit must not be set in the ECC Control Register.

8. Now that at least one refresh has occurred since SDRAM was last accessed, it is okay to write to the SDRAM control registers.
 - a. Program the SDRAM Speed Attributes Register using the information obtained in steps 3 and 4 and the fact that the **swr_dp** and **tdp** bits should be set to 1's.
 - b. Program the SDRAM Base Address Register (Blocks A/B/C/D) and the SDRAM Base Address Register (Blocks E/F/G/H). Each block's base address should be programmed so that it is an even multiple of its size. (The size information was obtained in step 5). If the **isa_hole** bit is to be set this may be a good time to do that also. Refer to the *Revision ID/General Control Register* section for more information.
 - c. Program the SDRAM Enable and Size Register (Blocks A,B,C,D) and the SDRAM Enable and Size Register (Blocks E,F,G,H). Use the information from step 5 for this. Only those blocks that exist should be enabled. Also, only those that exist should be programmed with a non-zero size.
9. Wait for at least one SDRAM refresh to complete. A simple way to do this is to wait for the 32-bit counter to increment at least 100 times (refer to the section on the 32-Bit Counter for more information). Note that the **refdis** control bit must not be set in the ECC Control Register.
10. SDRAM is now ready to use.

Optional Method for Sizing SDRAM

Generally SDRAM block sizes can be determined by using SPD information (refer to the previous section on *SDRAM Control Registers Initialization* example). Another method for accomplishing this is as follows:

1. Initialize the SMC's control register bits to a known state.
 - a. Clear the `isa_hole` bit (refer to the section titled *Vendor/Device Register* for more information.)
 - b. Make sure the *CLK Frequency Register* matches the operating frequency.
 - c. Wait for at least one SDRAM refresh to complete. A simple way to do this is to wait for the 32-bit counter to increment at least 100 times (refer to the section on *32-Bit Counter* for more information). Note that the **refdis** control bit must not be set in the ECC Control Register.
 - d. Make sure that the SDRAM Speed Attributes Register contains its power-up reset values. If not, make sure that the values match the actual characteristics of the SDRAM being used.
 - e. Make sure the following bits are initialized as follows:
 - refdis** = 0
 - rwcb** = 0
 - derc** = 1
 - scien** = 0
 - dpien** = 0
 - sien** = 0
 - mien** = 0
 - mbe me** = 0
 - SCRUB FREQUENCY** = \$00(Refer to the *ECC Control Register* section and the *Scrub/Refresh Register* section for more information).
 - f. Make sure that ROM/Flash banks A and B are not enabled to respond in the range \$00000000 - \$20000000. (Refer to the section on ROM A Base/Size Register and ROM B Base/Size Register for more information.)
 - g. Make sure that no other devices are set up to respond in the range \$00000000 - \$20000000.

2. For each of the Blocks A through H:
 - a. Set the block's base address to \$00000000. Refer to the sections titled *SDRAM Base Address Register (Blocks A/B/C/D)* and *SDRAM Enable and Size Register (Blocks E,F,G,H)*.
 - b. Enable the block and make sure that the other seven blocks are disabled. Refer to the same sections as referenced in the previous step.
 - c. Set the block's size control bits. Start with the largest possible (512MB). Refer to the same sections as referenced in the previous step.
 - d. Wait for at least one SDRAM refresh to complete.
 - e. Write a unique 64-bit data pattern to each one of a specified list of addresses. The list of addresses to be written varies depending on the size that is currently being checked. The address lists are shown in the table below.
 - f. Read back all of the addresses that have been written.
If all of the addresses still contain exactly what was written, then the block's size has been found. It is the size for which it is currently programmed.
If any of the addresses do not contain exactly what was written, then the block's memory size is less than that for which it is programmed. Sizing needs to continue for this block by programming its control bits to the next smaller size, waiting for at least one refresh to complete, and repeating steps e and f.
 - g. If no match is found for any size then the block is unpopulated and has a size of 0MB. Its size should be programmed to 0.

Table 3-20. Address Lists for Different Block Size Checks

512MB (64Mx4)	256MB (32Mx8)	256MB (32Mx4)	128MB (16Mx16)	128MB (16Mx8)¹	128MB (16Mx4)¹
\$00000000 \$00008000 \$10000000	\$00000000 \$00004000 \$08000000	\$00000000 \$00008000	\$00000000 \$04000000	\$00000000 \$00004000	\$00000000 \$00004000
64MB (8Mx16) ²	64MB (8Mx8) ²	32MB (4Mx16) ³			
\$00000000 \$00002000	\$00000000 \$00002000	\$00000000 \$00001000			

- Notes**
1. 16Mx8 and 16Mx4 are the same. If the real size is either one of these, this algorithm will program for 16Mx8 regardless of whether the SDRAM size is 16Mx8 or 16Mx4. This is not a problem because the Hawk behaves identically when programmed for either size.
 2. 8Mx16 and 8Mx8 are the same. The same idea that applies to 16Mx8 and 16Mx4 applies to them.
 3. This needed only to check for non-zero size.
3. Wait enough time to allow at least 1 SDRAM refresh to occur before beginning any SDRAM accesses.

ECC Codes

When the Hawk reports a single-bit error, software can use the syndrome that was logged by the Hawk to determine which bit was in error. [Table 3-21](#) shows the syndrome for each possible single bit error. [Table 3-22](#) shows the same information ordered by syndrome.

Table 3-21. Syndrome Codes Ordered by Bit in Error

Bit	Syndrome	Bit	Syndrome	Bit	Syndrome	Bit	Syndrome	Bit	Syndrome
rd0	\$4A	rd16	\$92	rd32	\$A4	rd48	\$29	ckd0	\$01
rd1	\$4C	rd17	\$13	rd33	\$C4	rd49	\$31	ckd1	\$02
rd2	\$2C	rd18	\$0B	rd34	\$C2	rd50	\$B0	ckd2	\$04
rd3	\$2A	rd19	\$8A	rd35	\$A2	rd51	\$A8	ckd3	\$08
rd4	\$E9	rd20	\$7A	rd36	\$9E	rd52	\$A7	ckd4	\$10
rd5	\$1C	rd21	\$07	rd37	\$C1	rd53	\$70	ckd5	\$20
rd6	\$1A	rd22	\$86	rd38	\$A1	rd54	\$68	ckd6	\$40
rd7	\$19	rd23	\$46	rd39	\$91	rd55	\$64	ckd7	\$80
rd8	\$25	rd24	\$49	rd40	\$52	rd56	\$94		
rd9	\$26	rd25	\$89	rd41	\$62	rd57	\$98		
rd10	\$16	rd26	\$85	rd42	\$61	rd58	\$58		
rd11	\$15	rd27	\$45	rd43	\$51	rd59	\$54		
rd12	\$F4	rd28	\$3D	rd44	\$4F	rd60	\$D3		
rd13	\$0E	rd29	\$83	rd45	\$E0	rd61	\$38		
rd14	\$0D	rd30	\$43	rd46	\$D0	rd62	\$34		
rd15	\$8C	rd31	\$23	rd47	\$C8	rd63	\$32		

Table 3-22. Single Bit Errors Ordered by Syndrome Code

Syn-drome	Bit	Syn-drome	Bit	Syn-drome	Bit	Syn-drome	Bit	Syn-drome	Bit	Syn-drome	Bit	Syn-drome	Bit	Syn-drome	Bit
\$00	-	\$20	ckd5	\$40	ckd6	\$60	-	\$80	ckd7	\$A0	-	\$C0	-	\$E0	rd45
\$01	ckd0	\$21	-	\$41	-	\$61	rd42	\$81	-	\$A1	rd38	\$C1	rd37	\$E1	-
\$02	ckd1	\$22	-	\$42	-	\$62	rd41	\$82	-	\$A2	rd35	\$C2	rd34	\$E2	-
\$03	-	\$23	rd31	\$43	rd30	\$63	-	\$83	rd29	\$A3	-	\$C3	-	\$E3	-
\$04	ckd2	\$24	-	\$44	-	\$64	rd55	\$84	-	\$A4	rd32	\$C4	rd33	\$E4	-
\$05	-	\$25	rd8	\$45	rd27	\$65	-	\$85	rd26	\$A5	-	\$C5	-	\$E5	-
\$06	-	\$26	rd9	\$46	rd23	\$66	-	\$86	rd22	\$A6	-	\$C6	-	\$E6	-
\$07	rd21	\$27	-	\$47	-	\$67	-	\$87	-	\$A7	rd52	\$C7	-	\$E7	-
\$08	ckd3	\$28	-	\$48	-	\$68	rd54	\$88	-	\$A8	rd51	\$C8	rd47	\$E8	-
\$09	-	\$29	rd48	\$49	rd24	\$69	-	\$89	rd25	\$A9	-	\$C9	-	\$E9	rd4
\$0A	-	\$2A	rd3	\$4A	rd0	\$6A	-	\$8A	rd19	\$AA	-	\$CA	-	\$EA	-
\$0B	rd18	\$2B	-	\$4B	-	\$6B	-	\$8B	-	\$AB	-	\$CB	-	\$EB	-
\$0C	-	\$2C	rd2	\$4C	rd1	\$6C	-	\$8C	rd15	\$AC	-	\$CC	-	\$EC	-
\$0D	rd14	\$2D	-	\$4D	-	\$6D	-	\$8D	-	\$AD	-	\$CD	-	\$ED	-
\$0E	rd13	\$2E	-	\$4E	-	\$6E	-	\$8E	-	\$AE	-	\$CE	-	\$EE	-
\$0F	-	\$2F	-	\$4F	rd44	\$6F	-	\$8F	-	\$AF	-	\$CF	-	\$EF	-
\$10	ckd4	\$30	-	\$50	-	\$70	rd53	\$90	-	\$B0	rd50	\$D0	rd46	\$F0	-
\$11	-	\$31	rd49	\$51	rd43	\$71	-	\$91	rd39	\$B1	-	\$D1	-	\$F1	-
\$12	-	\$32	rd63	\$52	rd40	\$72	-	\$92	rd16	\$B2	-	\$D2	-	\$F2	-
\$13	rd17	\$33	-	\$53	-	\$73	-	\$93	-	\$B3	-	\$D3	rd60	\$F3	-
\$14	-	\$34	rd62	\$54	rd59	\$74	-	\$94	rd56	\$B4	-	\$D4	-	\$F4	rd12
\$15	rd11	\$35	-	\$55	-	\$75	-	\$95	-	\$B5	-	\$D5	-	\$F5	-
\$16	rd10	\$36	-	\$56	-	\$76	-	\$96	-	\$B6	-	\$D6	-	\$F6	-
\$17	-	\$37	-	\$57	-	\$77	-	\$97	-	\$B7	-	\$D7	-	\$F7	-
\$18	-	\$38	rd61	\$58	rd58	\$78	-	\$98	rd57	\$B8	-	\$D8	-	\$F8	-
\$19	rd7	\$39	-	\$59	-	\$79	-	\$99	-	\$B9	-	\$D9	-	\$F9	-
\$1A	rd6	\$3A	-	\$5A	-	\$7A	rd20	\$9A	-	\$BA	-	\$DA	-	\$FA	-
\$1B	-	\$3B	-	\$5B	-	\$7B	-	\$9B	-	\$BB	-	\$DB	-	\$FB	-
\$1C	rd5	\$3C	-	\$5C	-	\$7C	-	\$9C	-	\$BC	-	\$DC	-	\$FC	-
\$1D	-	\$3D	rd28	\$5D	-	\$7D	-	\$9D	-	\$BD	-	\$DD	-	\$FD	-
\$1E	-	\$3E	-	\$5E	-	\$7E	-	\$9E	rd36	\$BE	-	\$DE	-	\$FE	-
\$1F	-	\$3F	-	\$5F	-	\$7F	-	\$9F	-	\$BF	-	\$DF	-	\$FF	-

Hawk Programming Details

4

Introduction

This chapter contains details of several programming functions associated with the Hawk ASIC chip.

PCI Arbitration

PCI arbitration must be provided by the host board.

Hawk MPIC External Interrupts

The MVME5100 Hawk MPIC is fully compliant with the industry standard Multi-Processor Interrupt Controller Specification. Following a power-up reset, the MPIC is configured to operate in the parallel interrupt delivery mode on the MVME5100 series:

Table 4-1. MPIC Interrupt Assignments

MPIC IRQ	Edge/Level	Polarity	Interrupt Source	Notes
IRQ0	Level	High	PIB (8259) from IPMC761 in PMC Slot 1	3
IRQ1	Level	Low	TL16C550 UART Serial Port 1, 2	1, 4
IRQ2	Level	Low	PCI-Ethernet Device Port 1 (Front panel)	
IRQ3	Level	Low	Hawk WDT1O_L / WDT2O_L	5
IRQ4	Level	Low	Thermal Alarm output (TOUT) of Dallas Semiconductor DS1621	6
IRQ5	Level	Low	PCI-VME INT 0 (Universe LINT0#)	2
IRQ6	Level	Low	PCI-VME INT 1 (Universe LINT1#)	2
IRQ7	Level	Low	PCI-VME INT 2 (Universe LINT2#)	2
IRQ8	Level	Low	PCI-VME INT 3 (Universe LINT3#)	2

Table 4-1. MPIC Interrupt Assignments (Continued)

MPIC IRQ	Edge/Level	Polarity	Interrupt Source	Notes
IRQ9	Level	Low	PCI-PMC1 INTA#, PMC2 INTB#, PCIX INTA#	
IRQ10	Level	Low	PCI-PMC1 INTB#, PMC2 INTC#, PCIX INTB#	
IRQ11	Level	Low	PCI-PMC1 INTC#, PMC2 INTD#, PCIX INTC#	
IRQ12	Level	Low	PCI-PMC1 INTD#, PMC2 INTA#, PCIX INTD#	
IRQ13	Level	Low	PCI-Ethernet Device Port 2 (Front panel or P2)	
IRQ14	Level	Low	ABORT_L	
IRQ15	Level	Low	RTC - Alarm	1

Notes

1. Interrupting device is addressed from Hawk External Register Bus.
2. The mapping of interrupt sources from the VMEbus and Universe internal interrupt sources are programmable via the Local Interrupt Map 0 Register and the Local Interrupt Map 1 Register in the Universe ASIC.
3. This interrupt is provided for software compatibility with the MVME2700.
4. This is the logical OR of the two UART's.
5. This is the wired OR of the two watch dog interrupts.
6. The DS1621 Digital Thermometer and Thermostat provides 9-bit temperature readings that indicate the temperature of the device. The thermal alarm output, TOUT, is active when the temperature of the device exceeds a user defined temperature TH.

8259 Interrupts

There are 15 interrupt requests supported by the Peripheral Bus Controller (PBC), which is only available if an IPMC761 or IPMC712 is installed. These 15 interrupts are ISA-type interrupts that are functionally equivalent to two 82C59 interrupt controllers. Except for **IRQ0**, **IRQ1**, **IRQ2**, **IRQ8_**, and **IRQ13**, each of the interrupt lines can be configured for either edge-sensitive mode or level-sensitive mode by programming the appropriate **ELCR** registers in the PBC.

There is also support for four PCI interrupts, **PIRQA_** through **PIRQD_**. The PBC has four PIRQ route control registers to allow each of the PCI interrupt lines to be routed to any of twelve ISA interrupt lines (**IRQ0**, **IRQ2**, **IRQ8_**, and **IRQ13** are reserved for ISA system interrupts). These active low inputs are used for some of the on-board PCI devices.

Since PCI interrupts are defined as level-sensitive, software must program the selected IRQ(s) for level-sensitive mode. The assignments of the ISA interrupts supported by the PBC as shown in the following table:

Table 4-2. PBC ISA Interrupt Assignments

PRI	PSIO IRQ Input	Routed to ISA IRQ	Controller	Edge/ Level	Polarity	Interrupt Source	Notes
1		IRQ0	INT1	Edge	High	Timer 1 / Counter 0	1
2	MSK/ IRQ1	IRQ1		Edge	High	Not Used	
3-10		IRQ2		Edge	High	Cascade Interrupt from INT2	
3	RTCX1/ IRQ8_	IRQ8_	INT2	Edge	Low	ABORT Switch, RTC	
4		IRQ9		Level	Low	Watch Dog 1/2	
5	PIRQA_	IRQ10		Level	Low	LAN (on front)	
6		IRQ11		Level	Low	Internal USB controller	2
7	MSDT/ IRQ12	IRQ12		Edge	High	Not Used	
8	PIRQC_	IRQ13				LAN (to rear)	

Table 4-2. PBC ISA Interrupt Assignments (Continued)

PRI	PSIO IRQ Input	Routed to ISA IRQ	Controller	Edge/Level	Polarity	Interrupt Source	Notes
9	IRQ14	IRQ14		Edge	High	Primary IDE interface	
10	IRQ15	IRQ15		Level	Low	PMC1 or PMC2 Interrupt	
11	IRQ3	IRQ3	INT1	Level	Low	COM2 or COM4 Interrupt	
12	IRQ4	IRQ4		Level	Low	COM1 or COM3 Interrupt	
13	PIRQB_	IRQ5		Level	Low	21554 Secondary Interrupt	
14	IRQ6	IRQ6		Edge	High	Not Used	
15	IRQ7	IRQ7		Edge	High	Not Used	

- Notes**
1. Internally generated by the PBC.
 2. These interrupt sources must be routed to the appropriate ISA IRQ using the PBC interrupt routing registers.

Exceptions

Sources of Reset

There are five potential reset sources on the MVME5100 series. They are as follows:

1. Power-On Reset
2. RESET Switch
3. Watchdog Timer Reset
4. Software generated Module Reset using MODRST Bit Register.
5. Reset generated from system bus

Each source of reset will result in a reset of the processor, Hawk ASIC, and all other on-board logic. The **PMC RESETOUT_L** pin will also be activated by all reset sources except for the **PMC PCI RST#** input.

Soft Reset

Software can assert the **SRESET#** pin of the processor by appropriately programming the **P0** bit in the Processor Init Register of the Hawk MPIC.

CPU Reset

The Hawk **SRST1_L** output is connected to the CPU reset logic. Setting the **P1** bit in the Hawk Processor Init register will result in the local processor being held in reset. Clearing the **P1** bit will release the reset. This feature can be used by a processor on the host board to disable the local processor while the host processor programs the Bank A on-board FLASH.

Error Notification and Handling

The Hawk ASIC can detect certain hardware errors and can be programmed to report these errors via the MPIC interrupts or the Machine Check Interrupt. The following table summarizes how the hardware errors are handled by the MVME5100 series:

Table 4-3. Error Notification and Handling

Cause	Action
Single-bit ECC	<i>Store:</i> Write corrected data to memory <i>Load:</i> Present corrected data to the MPC master Generate interrupt via MPIC if so enabled
Double-bit ECC	<i>Store:</i> Terminate the bus cycle normally without writing to SDRAM <i>Load:</i> Present uncorrected data to the MPC master Generate interrupt via MPIC if so enabled Generate Machine Check Interrupt to the Processor(s) if so enabled
MPC Bus Time Out	<i>Store:</i> Discard write data and terminate bus cycle normally <i>Load:</i> Present undefined data to the MPC master Generate interrupt via MPIC if so enabled Generate Machine Check Interrupt to the Processor(s) if so enabled
PCI Target Abort	<i>Store:</i> Discard write data and terminate bus cycle normally <i>Load:</i> Return all 1s and terminate bus cycle normally Generate interrupt via MPIC if so enabled Generate Machine Check Interrupt to the Processor(s) if so enabled
PCI Master Abort	<i>Store:</i> Discard write data and terminate bus cycle normally <i>Load:</i> Return all 1s and terminate bus cycle normally Generate interrupt via MPIC if so enabled Generate Machine Check Interrupt to the Processor(s) if so enabled
PERR# Detected	Generate interrupt via MPIC if so enabled Generate Machine Check Interrupt to the Processor(s) if so enabled
SERR# Detected	Generate interrupt via MPIC if so enabled Generate Machine Check Interrupt to the Processor(s) if so enabled

Endian Issues

The MVME5100 series supports both Little and Big-Endian software. Because the PowerPC processor is inherently big endian, and PCI is inherently Little-Endian, it is easy to misinterpret the processing scheme. For that reason, provisions have been made to accommodate the handling of endian issues within the MVME5100. The following figures show how the MVME5100 series handles the endian issue in Big-Endian and Little-Endian modes:

4

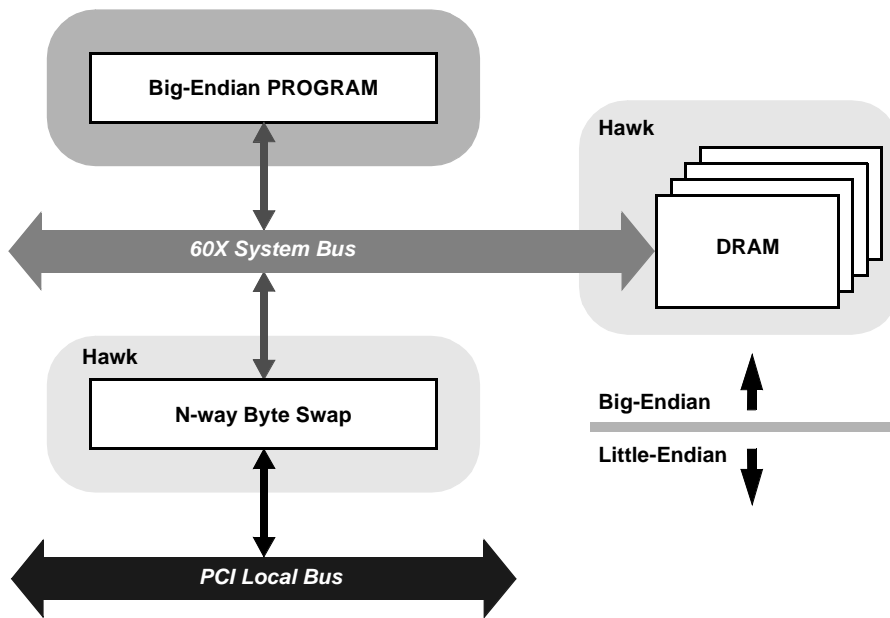


Figure 4-1. Big-Endian Mode

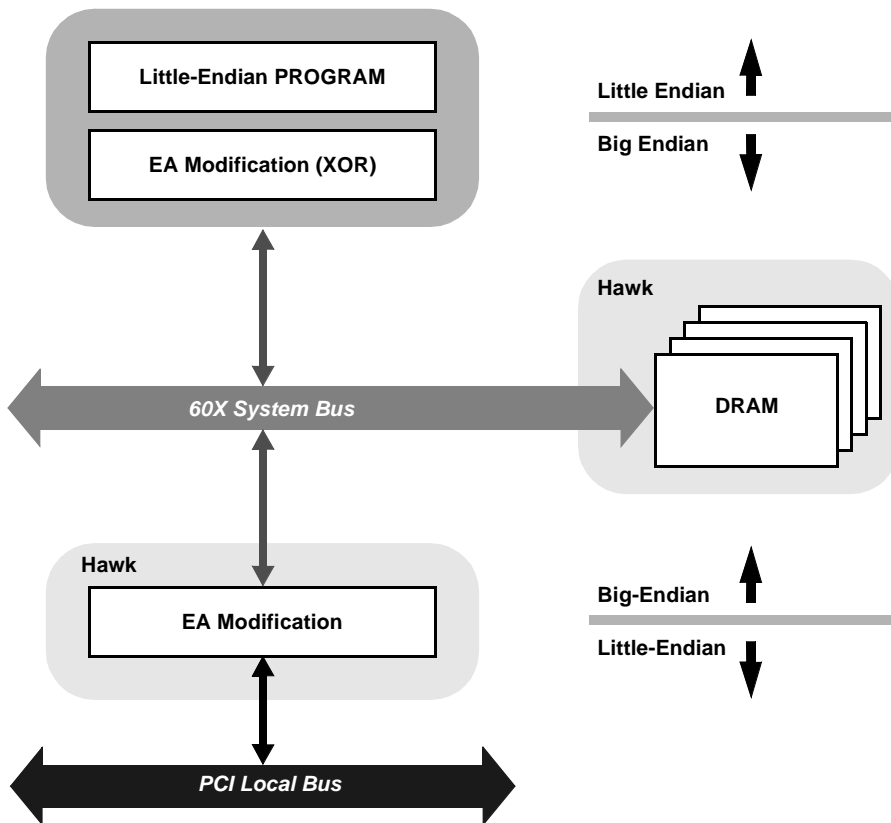


Figure 4-2. Little-Endian Mode

Processor/Memory Domain

The MPC750 processor can operate in both Big-Endian and Little-Endian modes. However, it always treats the external processor/memory bus as Big-Endian by performing *address rearrangement* and *reordering* when running in Little-Endian mode.

The MPIC registers inside the Hawk, the registers inside the SMC, the SDRAM, the ROM/FLASH, and the system registers always appear as Big-Endian.

MPIC's Involvement

Since PCI is Little-Endian, the MPIC performs byte swapping in both directions (from PCI to memory and from the processor to PCI). This is in order to maintain address invariance when it is programmed to operate in Big-Endian mode with the processor and the memory sub-system.

In Little-Endian mode, it *reverse-rearranges* the address for PCI-bound accesses and *rearranges* the address for memory-bound accesses (from PCI). In this case, no byte swapping is done.

PCI Domain

The PCI bus is inherently Little-Endian and all devices connected directly to PCI will operate in Little-Endian mode, regardless of the mode of operation in the processor's domain.

Motorola Computer Group Documents

The Motorola publications listed below are referenced in this manual. You can obtain paper or electronic copies of Motorola Computer Group publications by:

- ❑ Contacting your local Motorola sales office
- ❑ Visiting Motorola Computer Group's World Wide Web literature site, <http://www.motorola.com/computer/literature>

Table A-1. Motorola Computer Group Documents

Document Title	Motorola Publication Number
MVME5100 Single Board Computer Installation and Use	V5100A/IH
MVME761 Transition Module Installation and Use	VME761A/IH
MVME762 6-Channel Serial Transition Module Installation and Use	VME762A/UM
MVME762 6-Channel Serial Transition Module Installation and Use Supplement	VME762A/UM1A1
IPMC712/761 I/O Module Installation and Use	VIPMCA/IH
PMCspan PMC Adapter Carrier Module Installation and Use	PMCSPANA/IH
PPCbug Firmware Package User's Manual, Part 1 of 2	PPCBUGA1/UM
PPCbug Firmware Package User's Manual, Part 2 of 2	PPCBUGA2/UM
PPCbug Diagnostics Manual	PPCDIAA/UM

To obtain the most up-to-date product information in PDF or HTML format, visit <http://www.motorola.com/computer/literature>.

Manufacturers' Documents

For additional information, refer to the following table for manufacturers' data sheets or user's manuals. As an additional help, a source for the listed document is provided. Please note that while these sources have been verified, the information is subject to change without notice.

Table A-2. Manufacturers' Documents

Document Title	Publication Number
MPC750 RISC Microprocessor Users Manual Motorola Literature Distribution Center Telephone: (800) 441-2447 or (303) 675-2140 WebSite: http://e-www.motorola.com/webapp/DesignCenter/ E-mail: ldcformotorola@hibbertco.com	MPC750UM/AD 8/97
MPC7400 RISC Microprocessor Users Manual Motorola Literature Distribution Center Telephone: (800) 441-2447 or (303) 675-2140 WebSite: http://e-www.motorola.com/webapp/DesignCenter/ E-mail: ldcformotorola@hibbertco.com	MPC7400UM/D
Universe II User Manual (CA91C142) Tundra Semiconductor Corporation 603 March Road, Kanata, ON, Canada K2K 2M5 1-800-267-7231, (613) 592-0714, Fax: (613) 592-1320 http://www.tundra.com/page.cfm?tree_id=100008#Universe II	9000000.MD303.01
Dallas Semiconductor DS1621 Digital Thermometer and Thermostat Dallas Semiconductor http://www.dalsemi.com	DS1621
Intel LXT970 Fast Ethernet Transceiver Data Sheet Intel Corporation http://developer.intel.com/design/network	LXT970
Intel GD82559ER Fast Ethernet PCI Controller Datasheet Intel Corporation http://developer.intel.com/design/network	714682-001 Rev. 1.0 March 1999

Table A-2. Manufacturers' Documents (Continued)

Document Title	Publication Number
Texas Instruments TL16C550C UART Data Sheet Texas Instruments http://www.ti.com	TL16550
M48T37V CMOS 32Kx8 Timekeeper SRAM Data Sheet SGS Thomson Microelectronics http://us.st.com	M48T37V
2-Wire Serial CMOS EEPROM Data Sheet Atmel Corporation http://www.atmel.com/atmel/support/	AT24C04

Related Specifications

For additional information, refer to the following table for related specifications. As an additional help, a source for the listed document is provided. Please note that, while these sources have been verified, the information is subject to change without notice.

Table A-3. Related Specifications

Document Title and Source	Publication Number
Peripheral Component Interconnect (PCI) Interface Specification, Revision 2.1 PCI Special Interest Group P.O. Box 14070 Portland, Oregon 97214-4070 Marketing/Help Line: Telephone: (503) 696-6111 Document/Specification Ordering: Telephone: 1-800-433-5177 or (503) 797-4207 FAX: (503) 234-6762 http://www.pcisig.com/	PCI Local Bus Specification
Common Mezzanine Card Specification IEEE Standards Department 445 Hoes Lane, P.O Box 1331 Piscataway, NJ 08855-1331 http://standards.ieee.org/catalog/	P1386 Draft 2.0
PCI Mezzanine Card Specification IEEE Standards Department 445 Hoes Lane, P.O Box 1331 Piscataway, NJ 08855-1331 http://standards.ieee.org/catalog/	P1386.1 Draft 2.0

MVME5100 VPD Reference Information

B

Vital Product Data (VPD) Introduction

Vital Product Data (VPD) consists of data items that are pertinent to board configuration and operation. This appendix includes information on how to perform various tasks to read, modify and correct Vital Product Data, as well as general format and content information for this product. For more detailed instructions, refer to the *PPCBug Firmware User's Manual*, as referenced in the *Motorola Computer Group Documents* section of Appendix A of this manual. Information that is contained in the VPD includes:

- ❑ Marketing Product Number (e.g., MVME5100-013x)
- ❑ Factory Assembly Number (e.g., 01-W3403F01)
- ❑ Serial number of the specific MVME5100
- ❑ Processor family number (e.g., 750, 7410, etc.)
- ❑ Hardware clock frequencies (internal, external, fixed, PCI bus)
- ❑ Component configuration information (connectors, Ethernet addresses, FLASH bank ID, L2 cache ID)
- ❑ Security information (VPD type, version and rev. data, 32-bit crc protection)
- ❑ Base address information for various components
- ❑ Direct Memory Addresses
- ❑ Interrupt resources

How to Read the VPD Information

There are several ways to read VPD information:

- ❑ Version command - **ver**

- Displays most of the identification strings and hardware clock frequencies
- ❑ Serial EEPROM command - **srom;i**
 - Can be used as a byte viewer
- ❑ Indirect block move command - **ibm<addr>;i**
 - Reads the entire SROM block to memory
- ❑ Memory display command - **md<addr>**
 - Can be used to display a VPD block which has been copied to memory
- ❑ Network I/O physical command - **niop**
 - Can be used to upload a VPD block from memory to a network file

How to Modify the VPD Information

The following commands can be used to modify the VPD information in various ways:

- ❑ Serial EEPROM command - **srom;i**
 - Can be used as a byte editor
- ❑ Network I/O physical command - **niop**
 - Can be used to download a VPD block from a network file to memory
- ❑ Indirect block move command - **ibm<addr>;iw**
 - Writes a block of memory into the SROM
- ❑ SROM update command - **update**
 - Updates each SROM on the board to the current revision using network files

What Happens if the VPD Information is Corrupted?

If for some reason, the VPD information becomes corrupted, the following occurs:

- ❑ A warning is displayed in the startup banner
- ❑ The firmware ignores the VPD contents and attempts to acquire information from other sources
- ❑ Some device drivers will not work
- ❑ Some diagnostic tests fail
- ❑ The board runs much slower than usual

How to Fix Corrupted VPD Information

- ❑ The firmware is designed to reach the prompt with bad VPD
- ❑ Use the **srom**, **ibm**, or **update** command to fix the VPD

What if Your Board Has the Wrong VPD?

If for some reason your board has the wrong VPD information, the following occurs:

- ❑ No warning is displayed
- ❑ The firmware believes the incorrect VPD information
- ❑ The board may hang during startup (no-start condition)
- ❑ The board may be very unstable if it reaches the prompt
- ❑ Device drivers, diagnostic tests, and firmware commands may hang or fail in unexpected ways

How to Fix Wrong VPD Problems

If you suspect that your board has problems as a result of wrong VPD information, perform the following:

- ❑ Press the abort switch during startup (double-button reset - reset/abort) to enter the safe mode (at this point, the firmware will ignore all SROM contents and reset)
- ❑ Use the **srom**, **ibm**, or **update** command to change the VPD to the correct parameters

The data listed in the following tables are for general reference information. It is divided into two major sections: VPD Data Definitions, which define VPD packet formats, and VPD Content Information, which includes information on what is actually contained in the VPD.

VPD Definitions - Packet Types

The following table describes and lists the currently assigned packet identifiers. **Note: Additional packet identifiers may be added to this list as future versions of the VPD are released.**

Table B-1. VPD Packet Types

ID#	Size	Description	Data Type	Notes
00	N/A	Guaranteed Illegal	N/A	
01	Variable	Product Identifier (e.g., “PrPMC800”, “MCP750”, “MVME5100”, “PPMC750-2xx”, “PRPMCCR,” etc.)	ASCII	1
02	Variable	Factory Assembly Number (e.g., “01-W3403F01x”, etc.)	ASCII	1
03	Variable	Serial Number (e.g., “3383185”, etc.)	ASCII	1
04	10	Product Configuration Options Data The data in this packet further describes the board configuration (e.g., header population, I/O routing, etc.). Its exact contents is dependent upon the product configuration/type. A following table describes this packet.	Binary	
05	04	MPU Internal Clock Frequency in Hertz (e.g., 350,000,000 decimal, etc.)	Integer (4-byte)	2

Table B-1. VPD Packet Types (Continued)

ID#	Size	Description	Data Type	Notes
06	04	MPU External Clock Frequency in Hertz (e.g., 100,000,000 decimal, etc.). This is also called the local processor bus frequency.	Integer (4-byte)	2
07	04	Reference Clock Frequency in Hertz (e.g., 32,768 decimal, etc.). This value is the frequency of the crystal driving the OSCM.	Integer (4-byte)	2
08	06	Ethernet Address (e.g., 08003E26A475, etc.)	Binary	3, 4
09	Variable	MPU Type (e.g., 601, 602, 603, 604, 750, 801, 821, 823, 860, 860DC, 860DE, 860DH, 860EN, 860MH, etc.)	ASCII	1
0A	04	EEPROM CRC This packet is optional. This packet would be utilized in environments where CRC protection is required. When computing the CRC this field (i.e., 4 bytes) is set to zero. This CRC only covers the range as specified the size field.	Integer (4-byte)	2
0B	0C	FLASH Memory Configuration A table found later in this document further describes this packet.	Binary	
0C	TBD	VLSI Device Revisions/Versions	Binary	
0D	04	Host PCI-Bus Clock Frequency in Hertz (e.g., 33,333,333 decimal, etc.)	Integer (4-byte)	2
0E	0F	L2 Cache Configuration A table found later in this document further describes this packet.	Binary	

Table B-1. VPD Packet Types (Continued)

ID#	Size	Description	Data Type	Notes
0F	04	VPD Revision. A table found later in this section further describes this packet.	Binary	
10-BF		Reserved		
C0-FE		User Defined An example of a user defined packet could be the type of LCD panel connected in an MPC821 based application.		
FF	N/A	Termination Packet (follows the last initialized data packet)	N/A	

Notes:

1. Data size varies, depending on the product configuration/type.
2. Integer values are formatted/stored in big-endian byte ordering.
3. This packet may be omitted if the ethernet interface is non-existent, or the ethernet interface has an associative SROM (e.g., DEC21x4x).
4. This packet may contain an additional byte following the address data. This additional byte indicates the ethernet interface number and is specified in applications where the host product supports multiple ethernet interfaces. For each ethernet interface present, the instance number is incremented by one starting with zero.

VPD Definitions - Product Configuration Options Data

The product configuration options data packet consists of a binary bit field. The first bit of the first byte is bit 0 (i.e., PowerPC bit numbering). An option is present when the assigned bit is a one. The following table further describes the product configuration options VPD data packet:

Table B-2. MCG Product Configuration Options Data

Bit Number	Bit Mnemonic	Bit Description
0	PCO_PCI0_CONN1	PCI/PMC bus 0 connector 1 present
1	PCO_PCI0_CONN2	PCI/PMC bus 0 connector 2 present
2	PCO_PCI0_CONN3	PCI/PMC bus 0 connector 3 present
3	PCO_PCI0_CONN4	PCI/PMC bus 0 connector 4 present
4	PCO_PCI1_CONN1	PCI/PMC bus 1 connector 1 present
5	PCO_PCI1_CONN2	PCI/PMC bus 1 connector 2 present
6	PCO_PCI1_CONN3	PCI/PMC bus 1 connector 3 present
7	PCO_PCI1_CONN4	PCI/PMC bus 1 connector 4 present
8	PCO_ISA_CONN1	ISA bus connector 1 present
9	PCO_ISA_CONN2	ISA bus connector 2 present
10	PCO_ISA_CONN3	ISA bus connector 3 present
11	PCO_ISA_CONN4	ISA bus connector 4 present
12	PCO_EIDE1_CONN1	IDE/EIDE device 1 connector 1 present
13	PCO_EIDE1_CONN2	IDE/EIDE device 1 connector 2 present
14	PCO_EIDE2_CONN1	IDE/EIDE device 2 connector 1 present
15	PCO_EIDE2_CONN2	IDE/EIDE device 2 connector 2 present
16	PCO_ENET1_CONN	Ethernet device 1 connector present
17	PCO_ENET2_CONN	Ethernet device 2 connector present
18	PCO_ENET3_CONN	Ethernet device 3 connector present
19	PCO_ENET4_CONN	Ethernet device 4 connector present
20	PCO_SCSI1_CONN	SCSI device 1 connector present
21	PCO_SCSI2_CONN	SCSI device 2 connector present
22	PCO_SCSI3_CONN	SCSI device 3 connector present
23	PCO_SCSI4_CONN	SCSI device 4 connector present

Table B-2. MCG Product Configuration Options Data (Continued)

Bit Number	Bit Mnemonic	Bit Description
24	PCO_SERIAL1_CONN	Serial device 1 connector present
25	PCO_SERIAL2_CONN	Serial device 2 connector present
26	PCO_SERIAL3_CONN	Serial device 3 connector present
27	PCO_SERIAL4_CONN	Serial device 4 connector present
28	PCO_FLOPPY_CONN1	Floppy device connector 1 present
29	PCO_FLOPPY_CONN2	Floppy device connector 2 present
30	PCO_PARALLEL1_CONN	Parallel device 1 connector present
31	PCO_PARALLEL2_CONN	Parallel device 2 connector present
32	PCO_PMC1_IO_CONN	PMC slot 1 I/O connector present
33	PCO_PMC2_IO_CONN	PMC slot 2 I/O connector present
34	PCO_USB0_CONN	USB channel 0 connector present
35	PCO_USB1_CONN	USB channel 1 connector present
36	PCO_KEYBOARD_CONN	Keyboard connector present
37	PCO_MOUSE_CONN	Mouse connector present
38	PCO_VGA1_CONN	VGA device 1 connector present
39	PCO_SPEAKER_CONN	Speaker connector present
40	PCO_VME_CONN	VME backplane connector present
41	PCO_CPCI_CONN	Compact PCI backplane connector present
42	PCO_ABORT_SWITCH	Abort switch present
43	PCO_BDFAIL_LIGHT	Board fail light present
44	PCO_SWREAD_HEADER	Software readable header present
45	PCO_MEMMEZ_CONN	Memory mezzanine connector present
46	PCO_PCI0_EXP_CONN	PCI bus 0 expansion connector present
47		Reserved for future configuration options
48	PCO_DIMM1_CONN	DIMM slot 1 connector present
49	PCO_DIMM2_CONN	DIMM slot 2 connector present
50	PCO_DIMM3_CONN	DIMM slot 3 connector present
51	PCO_DIMM4_CONN	DIMM slot 4 connector present
52-127		Reserved for future configuration options

VPD Definitions - FLASH Memory Configuration Data

The FLASH memory configuration data packet consists of byte fields which indicate the size/organization/type of the FLASH memory array. The following table(s) further describe the FLASH memory configuration VPD data packet.

Table B-3. FLASH Memory Configuration Data

Byte Offset	Field Size (Bytes)	Field Mnemonic	Field Description
00	2	FMC_MID	Manufacturer's Identifier (FFFF = Undefined/Not-Applicable)
02	2	FMC_DID	Manufacturer's Device Identifier (FFFF = Undefined/Not-Applicable)
04	1	FMC_DDW	Device Data Width (e.g., 8-bits, 16-bits)
05	1	FMC_NOD	Number of Devices/Sockets Present
06	1	FMC_NOC	Number of Columns (Interleaves)
07	1	FMC_CW	Column Width in Bits This will always be a multiple of the device's data width.
08	1	FMC_WEDW	Write/Erase Data Width The FLASH memory devices must be programmed in parallel when the write/erase data width exceeds the device's data width.
09	1	FMC_BANK	Bank Number of FLASH Memory Array: 0 = A, 1 = B
0A	1	FMC_SPEED	ROM Access Speed in Nanoseconds
0B	1	FMC_SIZE	Total Bank Size (Should agree with the physical organization above): 00=256K, 01=512K, 02=1M, 03=2M, 04=4M, 05=8M

A product may contain multiple FLASH memory configuration packets.

B

VPD Definitions - L2 Cache Configuration Data

The L2 cache configuration data packet consists of byte fields that show the size, organization, and type of the L2 cache memory array. **Note: The PPMCBASE does not contain L2 Cache**. The following table(s) further describe the L2 cache memory configuration VPD data packet.

Table B-4. L2 Cache Configuration Data

Byte Offset	Field Size (Bytes)	Field Mnemonic	Field Description
00	2	L2C_MID	Manufacturer's Identifier (FFFF = Undefined/Not-Applicable)
02	2	L2C_DID	Manufacturer's Device Identifier (FFFF = Undefined/Not-Applicable)
04	1	L2C_DDW	Device Data Width (e.g., 8-bits, 16-bits, 32-bits, 64-bits, 128-bits)
05	1	L2C_NOD	Number of Devices Present
06	1	L2C_NOC	Number of Columns (Interleaves)
07	1	L2C_CW	Column Width in Bits This will always be a multiple of the device's data width.
08	1	L2C_TYPE	L2 Cache Type: 00 - Arthur Backside 01 - External 02 - In-Line
09	1	L2C_ASSOCIATE	Associative Microprocessor Number (If Applicable)
0A	1	L2C_OPERATIONMODE	Operation Mode: 00 - Either Write-Through or Write-Back (S/W Configurable) 01 - Either Write-Through or Write-Back (H/W Configurable) 02 - Write-Through Only 03 - Write-Back Only

Table B-4. L2 Cache Configuration Data (Continued)

Byte Offset	Field Size (Bytes)	Field Mnemonic	Field Description
0B	1	L2C_ERROR_DETECT	Error Detection Type: 00 - None 01 - Parity 02 - ECC
0C	1	L2C_SIZE	L2 Cache Size (Should agree with the physical organization above): 00 - 256K 01 - 512K 02 - 1M 03 - 2M 04 - 4M
0D	1	L2C_TYPE_BACKSIDE	L2 Cache Type (Backside Configurations): 00 - Late Write Sync, 1nS Hold, Differential Clock, Parity 01 - Pipelined Sync Burst, 0.5nS Hold, No Differential Clock, Parity 02 - Late Write Sync, 1nS Hold, Differential Clock, No Parity 03 - Pipelined Sync Burst, 0.5nS Hold, No Differential Clock, No Parity
0E	1	L2C_RATIO_BACKSIDE	L2 Cache Core to Cache Ration (Backside Configurations): 00 - Disabled 01 - 1:1 (1) 02 - 3:2 (1.5) 03 - 2:1 (2) 04 - 5:2 (2.5) 05 - 3:1 (3)

A product may contain multiple L2 cache configuration packets. This product, the PPMCBASE, does not contain a L2 Cache device.

B

VPD Definitions - VPD Revision Data

The VPD revision data packet consists of byte fields that indicate the type, version, and revision of the vital product data. The following table(s) further describe the VPD revision data packet.

Table B-5. VPD Revision Data

Byte Offset	Field Size (Bytes)	Field Mnemonic	Field Description
00	1	VR_TYPE	Vital Product Data Type: 00 - Processor board VPD 01 - Baseboard (non-processor) VPD 02 - Transition module VPD
01	1	VR_ARCH	Vital Product Data Architecture Revision (currently at 2)
02	1	VR_BUILD	Vital Product Data Board Build Revision (starts at 0)
03	1	VR_REASON	Vital Product Data Revision Flags: 00 - Initial release

A product must have exactly one VPD revision packet.

SROM_CRC.C

```

/*
 * srom_crc - generate CRC data for the passed buffer
 * description:
 * This function's purpose is to generate the CRC for the
 * passed buffer.
 * call:
 *   argument #1 = buffer pointer
 *   argument #2 = number of elements
 * return:
 *   CRC data
 */
unsigned int
srom_crc(elements_p, elements_n)
register unsigned char *elements_p; /* buffer pointer */
register unsigned int elements_n; /* number of elements */
{
    register unsigned int crc;
    register unsigned int crc_flipped;
    register unsigned char cbyte;
    register unsigned int index, dbit, msb;

    crc = 0xffffffff;
    for (index = 0; index < elements_n; index++) {
        cbyte = *elements_p++;
        for (dbit = 0; dbit < 8; dbit++) {
            msb = (crc >> 31) & 1;
            crc <<= 1;
            if (msb ^ (cbyte & 1)) {
                crc ^= 0x04c11db6;
                crc |= 1;
            }
            cbyte >>= 1;
        }
    }
    crc_flipped = 0;
    for (index = 0; index < 32; index++) {
        crc_flipped <<= 1;
        dbit = crc & 1;
        crc >>= 1;
        crc_flipped += dbit;
    }
    crc = crc_flipped ^ 0xffffffff;
    return (crc);
}

```


Serial Presence Detect (SPD) Checksum Calculation

The checksum field (Byte 63) designates the checksum for checking data integrity (similar to parity) for bytes 0-62. It is written during board production and can be used to verify the data integrity for these bytes.

The process for calculating the Checksum includes the following:

1. Convert the binary information in byte locations 0-62 to decimal.
2. Add together (sum) all decimal values for addresses 0-62.
3. Divide the sum by 256.
4. Convert the remainder to binary (will be less than 256).
5. Store the result (single byte) in address 63 as “Checksum.”

Note The same result can be obtained by adding the binary values in addresses 0-62 and eliminating all but the low order byte. The low order byte is the “Checksum.”

B

Example of a Checksum Calculation:

SPD Byte Address	Serial PD		Convert to Decimal
00 (0x00)	0010 0100	>	36
01 (0x01)	1111 1110	>	+254
02 (0x02)	0000 0000	>	+ 0
03 (0x03)	0000 0000	>	+ 0
⋮	⋮	>	+ 0
⋮	⋮	>	
60 (0x3C)	0000 0000	>	+ 0
61 (0x3D)	0000 0000	>	+ 0
62 (0x3E)	0000 0000	>	+ 0
SPD Byte Address	Serial PD		Convert to Decimal
Decimal Total	-	-	290
Divide by 256	-	-	1
Remainder	-	-	34
Convert to binary	0010 0010	<	34
63(0x3F)(Checksum)	0010 0010	-	

VMEbus Mapping Example

C

Introduction

This appendix contains an application note on establishing addressability on the VMEbus using the MVME5100 and MVME2700 boards as examples. Future Motorola board level documents may contain additional application notes aimed at clarifying configuration or implementation issues that have been noted by several Motorola customers. If you are unsure if this application will work on your particular product configuration, contact your Motorola sales representative.

The following paragraphs describe the setup of Universe chip registers, using the MVME5100 and MVME2700 in order to establish communication across a VMEbus. The scenario is simplistic at best and does not presuppose operational consistency involving multiple representations of these and other MVME boards. In this description, all 64MB of both boards are mapped onto the VMEbus in A32/D32 space. The specific slave image register set used was arbitrary, but based most nearly on those setup correctly by PPCBug's default settings. These are displayed in the following table:.

Table C-1. MVME2700/MVME5100 Sample Slave Image Settings

	PCI Slave 1 Original	PCI Slave 1 Modified	VME Slave 0 Original	VME Slave 0 Modified
2700: Control	C082 0000	C082 0000	E0F2 0000	E0F2 0000
2700: Base	0100 0000	0100 0000	0000 0000	1000 0000
2700: Bound	2000 0000	2000 0000	0400 0000	13FF FFFF
2700: Translate	0000 0000	FF00 0000	8000 0000	7000 0000
5100: Control	C082 0000	C082 0000	E0F2 0000	E0F2 0000
5100: Base	8100 0000	8100 0000	0000 0000	1400 0000
5100: Bound	A000 0000	A000 0000	0400 0000	17FF FFFF
5100: Translate	8000 0000	7F00 0000	0000 0000	EC00 0000

The MVME2700 board, which uses a PReP memory map, is configured in this example to occupy address space from 1000 0000 to 13FF FFFF (64MB) on the VMEbus. The MVME5100, which defaults to a CHRP memory map, occupies another 64MB address range, which in this example is from 1400 0000 to 17FF FFFF. The PCI Slave Images represent the view of the Universe on the PCI Local Bus. The VME Slave Images represent the view of the Universe on the VMEbus. The purpose of this application note is to demonstrate the process used to select the appropriate Base and Bound values for the desired address mapping. In this case, the entire 64MB of available memory space on the board has been selected. The memory can be segmented by selecting different sizes and mapping them using the remaining slave images within the Universe device. In addition, by using the appropriate settings in the Control register, the memory can be mapped as A24/D16, A16/D8, or other desired addressing.

Once the Base and Bound values are determined, the correct value for the Translate register must be selected so that the address presented to the bus on the other side of the Universe is correct. Each of the Translate register's values were determined as follows:

2700 PCI Slave Translate

In the default memory map, PCI Memory space begins at C000 0000, the first 1MB (100 0000) is set aside for other devices on the PCI Local Bus that require PCI Memory. PowerPC addresses from C000 0000 to DFFF FFFF are presented, zero based, on the PCI Local Bus. The Universe is configured to accept PCI Memory addresses from 0100 0000 to 2000 0000 in PCI Slave Image 1. These addresses are passed unchanged to the VMEbus. To translate a presented PCI address to a zero based VMEbus address, the translation value of FF00 0000 was chosen. This value is the required translation to make the presented address (0100 0000) become 0000 0000 on the VMEbus: $0100\ 0000 + FF00\ 0000 \Rightarrow 1\ 0000\ 0000$.

2700 VME Slave Translate

For the VME Slave register, the Universe passes the presented address unchanged onto the PCI Local Bus, unless translation is applied. Consulting the memory maps available in the appropriate MVME Programmer's Guide, one finds that PowerPC memory is located at 8000

0000 on the PCI Local bus. Thus, to translate an inbound address of 1000 0000 (the configured VMEbus Base address of this board to 8000 0000, which is presented to DRAM as 0000 0000 and translation value of 7000 0000 is selected: $1000\ 0000 + 7000\ 0000 \Rightarrow 8000\ 0000$ on the PCI Local Bus that becomes 0000 0000 on the PowerPC bus.

5100 PCI Slave Translate

In the CHRP memory map, PCI Memory Space is based at 8000 0000. Once again, the first 1MB is reserved for other PCI devices requiring memory space so the Universe is configured to claim addresses from 8100 0000 to A000 0000 that appear on the PCI Local Bus. Because this is a CHRP memory map, the address presented on the PCI Local Bus is not translated, so a PPC generated address of 8100 0000 appears on the PCI Local Bus as 8100 0000. Again, the same translation calculation is required to adjust this address to be presented as 0000 0000 on the VMEbus. In this case, the value is 7F00 0000: $8100\ 0000 + 7F00\ 0000 \Rightarrow 1\ 0000\ 0000$.

5100 VME Slave Translation

In the CHRP memory map, DRAM is located at 0000 0000 on the PCI Local Bus. As configured, the Universe accepts VMEbus addresses between 1400 0000 and 17FF FFFF. To translate a VMEbus address of 1400 0000 to 0000 0000 on the PCI Local Bus a translation offset of EC00 0000 is chosen: $1400\ 0000 + EC00\ 0000 \Rightarrow 1\ 0000\ 0000$. Once again, the overflow results in the desired value.

Numerics

32-Bit Counter [3-73](#)

SMC [3-73](#)

8259 Interrupts [4-3](#)

A

A0-A31 [3-4](#)

AACK

as used with PPC Slave [2-7](#)

access timing (ROM) [3-19](#), [3-20](#)

address

Address Parity Error Address Register
[3-72](#)

Address Parity Error Log Register
SMC [3-71](#)

data stepping [2-29](#)

decoders PCI to PPC [2-6](#)

decoders PPC to PCI [2-7](#)

limits on PHB map decoding [2-6](#)

mapping PPC [2-6](#)

modification for little endian transfers
[2-40](#)

offsets, as part of map decoders [2-21](#)

parity PPC60x [3-10](#)

pipelining [3-6](#)

transfers [3-9](#)

addressing

mode for PCI Master [2-28](#)

to PCI Slave [2-23](#)

addressing mode

PCI Slave limits [2-24](#)

arbiter

as controlled by the XARB register [2-16](#)

Hawk's internal [2-34](#)

PPC [2-15](#), [2-16](#)

arbitration

from PCI Master [2-28](#)

latency [2-29](#)

parking [2-37](#)

architectural overview [2-4](#)

ARTRY_ [3-11](#)

B

big to little endian data swap [2-39](#)

big-endian mode [4-7](#)

bit descriptions [3-38](#)

bit ordering convention

SMC [3-1](#)

block diagram [1-3](#), [2-3](#)

Hawk SMC [3-3](#)

Hawk used with SDRAM [3-2](#)

block diagrams

Hawk with SDRAMs [3-2](#)

Board Last Reset Register [1-32](#)

bridge

PHB [2-1](#)

PowerPC to PCI Local Bus Bridge [2-1](#)

burst write bandwidth [1-1](#)

Bus Clock Frequency [1-1](#)

bus cycle types

on the PCI bus [2-29](#)

Bus Hog

PPC master device [2-14](#)

bus interface (60x)

to SMC [3-9](#)

C

cache

- coherency restrictions 3-11
- coherency SMC 3-11
- support 2-25, 2-29

Cache Control Register 1-10

Cache Speed 1-10

CHRP memory 1-4

CHRP Memory Maps (suggested) 1-6

CLK FREQUENCY 3-44

CLK Frequency Register

- SMC 3-44

clock frequency 3-44

combining, merging, and collapsing 2-28

command types 2-23

- from PCI Master 2-27
- PPC slave 2-8

CONADD and CONDAT Registers 1-19

CONFIG_ADDRESS Register 2-106

CONFIG_DATA Register 2-109

configuration

- options on Hawk 3-35
- registers 2-19
- requirements on Hawk 3-35
- type, as used by PHB 2-31

configurations

- MVME21xx xxii

contention

- between PCI and PPC 2-45
- handling explained (PHB) 2-45

control bit

- descriptions 3-38

core frequency 1-9

Critical Word First (CWF)

- as supported by PCI Master 2-26

CSR

- accesses to SMC 3-34
- architecture of SMC 3-35
- base address 3-35
- reads and writes 3-35

Current Task Priority Register 2-127

CWF burst transfers

explained 2-26

cycle types

- SMC 3-11

D

data

- discarded from prefetched reads 2-13

data parity

- PPC 2-17

Data Parity Error Address Register

- SMC 3-62

Data Parity Error Log Register

- SMC 3-61

Data Parity Error Lower Data Register

- SMC 3-63

Data Parity Error Upper Data Register

- SMC 3-62

data throughput

- PPC Slave to PCI Master 2-9

data transfer

- PPC Master rates 2-10
- relationship between PCI Slave and PPC60x bus 2-11

data transfers

- SMC 3-9

decoder

- priorities 2-21

decoders

- address PCI to PPC 2-6
- for PCI to PPC addressing 2-20
- PPC to PCI 2-7

delayed transactions

- PCI Slave 2-24

derc 3-48

device selection 2-24

Disable Error Correction control bit 3-48

documentation, related B-1

DRAM

- connection diagram 3-4
- enable bits 3-41
- size control bits 3-41

E

ECC

- Codes Hawk 3-87

- SMC 3-11

- ECC Control Register

- SMC 3-46

- ECC memory 1-11

- EEPROM 1-1

- EEPROM access 3-77

- eelog 3-50

- embt 3-50

- endian conversion 2-38

- endian issues

- MVME5100 4-7

- End-of-Interrupt Registers 2-128

- Error Address Register

- SMC 3-52

- error correction 3-11

- Error Correction Codes

- Hawk 3-87

- error detection 3-11

- error handling 2-41

- Error Logger Register 3-50

- SMC 3-50

- error logging 3-13

- SMC 3-13

- error notification and handling 4-6

- Hawk 4-6

- error reporting 3-12

- ERROR_ADDRESS 3-52

- ERROR_SYNDROME 3-51

- esbt 3-51

- escb 3-50

- esen 3-50

- Ethernet Controller 1-16

- Ethernet Interfaces 1-2

- exceptions

- when programming MVME5100 4-5

- exclusive access 2-29

- PCI Slave 2-25

- Extended Features Register 1 1-31

- Extended Features Register 2 1-33

- External Register Set

- SMC 3-34, 3-73

- external register set reads and writes 3-35

- External Source Destination Registers 2-124

- External Source Vector/Priority Registers 2-122

F

- fast back-to-back transactions 2-29

- PCI Slave 2-25

- Feature Reporting Register 2-113

- features 2-1

- SMC 3-1

- FIFO

- from PPC Slave to PCI Master 2-9

- structure explained 2-4

- with PCI Slave 2-26

- Flash (see ROM/Flash) 3-14

- Flash Blocks A and B 1-10

- FLASH Memory 1-1

- Flash Memory 1-10

- Form Factor

- MVME5100 1-2

- four-beat reads/writes 3-6

- functional description

- Hawk PHB 2-4

- SMC 3-6

- FUSE signal 1-24

G

- General Control Register

- SMC 3-39

- General Control-Status/Feature Registers 2-71

- General Purpose Registers 2-96

- generating

- PCI configuration cycles 2-31

- PCI cycles 2-29

- PCI interrupt acknowledge cycles 2-34

- PCI memory and I/O cycles 2-30

- PCI special cycles 2-33

- Geographical Address Register 1-30

Global Configuration Register [2-114](#)

H

Hardware Control-Status Register [2-77](#)

Hawk

- address parity [3-10](#)
- as MPU/PCI bus bridge controller ASIC [1-15](#)
- block diagram [2-3](#)
- configuration options [3-35](#)
- data parity [3-10](#)
- ECC Codes [3-87](#)
- Error Correction Codes [3-87](#)
- error notification and handling [4-6](#)
- I2C Byte Write [3-23](#)
- I2C Current Address Read [3-27](#)
- I2C Page Write [3-29](#)
- I2C Random Read [3-25](#)
- I2C Sequential Read [3-31](#)
- MPIC control registers [2-22](#)
- MPIC interrupt assignments [4-1](#)
- MPIC interrupts [4-1](#)
- MPIC register map [2-110](#)
- PCI Host Bridge & Multi-Processor Interrupt Controller chip [2-1](#)
- programming details [4-1](#)
- programming ROM/Flash devices [3-75](#)
- SMC [3-1](#)
- software considerations [3-75](#)
- System Memory Controller block diagram [3-3](#)
- used with DRAM in a system [3-2](#)
- writing to the control registers [3-75](#)

Hawk ASIC [1-12](#)

Hawk External Register Bus Summar [1-21](#)

Hawk I2C interface and configuration information [1-13](#)

Hawk PCI Host Bridge [1-2](#)

Hawk System Memory Controller [1-2](#)

Hawk's DEVSEL_ pin

as criteria for PHB config. mapping [2-19](#)

Hawk's I2C bus [3-77](#)

Hawk's PCI arbiter

priority schemes [2-35](#)

Hawk's SMC

overview [3-1](#)

HCSR

Hardware Control-Status Register [2-77](#)

Header/Type Register [2-101](#)

I

I/O Base Register

MPIC [2-102](#)

I2C

Byte Write, Hawk [3-23](#)

Current Address Read, Hawk [3-27](#)

EEPROMs [3-77](#)

Page Write, Hawk [3-29](#)

Random Read, Hawk [3-25](#)

Sequential Read, Hawk [3-31](#)

I2C Receiver Data Register [3-67](#)

IDSEL Mapping for PCI Devices [1-19](#)

initializing

SDRAM-related control registers [3-76](#)

Inter-Integrated Circuit [1-13](#)

Internal Clock Frequency [1-1](#)

interpretation of MID3-MID0 [1-37](#)

Interprocessor Interrupt Dispatch Registers [2-126](#)

Interrupt Acknowledge Registers [2-127](#)

Interrupt Controller [1-2](#)

features [2-2](#)

Interrupt Enable control bits [3-48](#)

interrupts

8259 [4-3](#)

Hawk MPIC [4-1](#)

introduction [1-1](#)

Hawk PHB/MPIC [2-1](#)

PHB/MPIC [2-1](#)

programming details for Hawk [4-1](#)

SMC [3-1](#)

IPI Vector/Priority Registers [2-117](#)

L

- L2 Cache 1-1, 1-9
- L2 Cache SRAM Size 1-10
- L2 cache support
 - SMC 3-11
- L2CLK bits 1-10
- L2CLM_ 3-11
- latency
 - PCI Slave 2-25
- Little Endian
 - mode of PPC devices 2-39
- little-endian mode 4-8
- Lock Resolution
 - programmable 2-46

M

- Main Memory 1-2
- map decoders
 - PPC to PCI 2-7
- mapping
 - PPC address 2-6
- master initiated termination 2-28
- mcken 3-49
- memory
 - ECC 1-11
- Memory Base Register 2-102
- Memory Controller 1-2
- memory map
 - CHRP 1-5
 - PCI local bus 1-4, 1-8
 - processor (default) 1-4
- Memory maps 1-4
- memory maps 1-4
 - VMEbus 1-8
- Memory Subsystem Data 1-13
- mien 3-49
- Miscellaneous
 - MVME5100 features 1-2
- MODFAIL Bit Register 1-25
- MODRST Bit Register 1-26
- MPC arbiter 2-15
- MPC bus address space

2-19

- MPC slave 2-7
- MPC slave response command types 2-8
- MPC to PCI address decoding 2-6
- MPC750
 - processor/memory domain 4-9
- MPIC 2-1
 - interface with PHB 2-5
- MPIC Registers 2-110
- MPIC registers 2-110
- MPIC's involvement 4-9
- Multi-Processor Interrupt Controller 2-1
- MVME Key Features 1-1
- MVME5100
 - endian issues 4-7
 - sources of reset 4-5
- MVME5100 Block Diagram 1-3
- MVME510x VME Processor Module 1-1

N

- NVRAM 1-2
- NVRAM/RTC & Watchdog Timer 1-34

O

- overview 2-1
 - SMC 3-1

P

- P2 I/O modes 1-11
- parity 2-29
 - PCI Slave 2-25
- Parity checking 1-9
- PC100 ECC 1-2
- PCI
 - address mapping 2-19
 - arbiter, Hawk internal version 2-34
 - arbitration 4-1
 - Configuration Register map 2-97
 - contention with PPC 2-45
 - domain 4-9
 - FIFO 2-26
 - FIFO, as used with PCI Slave 2-22

- functions of Master [2-26](#)
- Interface features [2-1](#)
- Master Command Codes [2-27](#)
- Master explained [2-4](#)
- purpose of interface [2-19](#)
- registers [2-97](#)
- slave [2-22](#)
- Slave disconnect scenarios [2-24](#)
- slave response command types [2-23](#)
- Slave with PCI Master [2-26](#)
- speculative requests [2-47](#)
- spread I/O address translation [2-31](#)
- to MPC address decoding [2-20](#)
- to MPC address translation [2-21](#)
- write posting [2-26](#)
- PCI / VME Memory Map [1-7](#)
- PCI Arbitration Assignments for Hawk ASI [1-15](#)
- PCI bus [1-8](#)
- PCI Command/ Status Registers [2-99](#)
- PCI Configuration Space [1-19](#)
- PCI Expansion Connector [1-2](#)
- PCI expansion slot
 - arbiter [1-15](#)
- PCI Host Bridge [1-2](#)
- PCI Interrupt Acknowledge Register [2-87](#)
- PCI Local Bus [1-15](#)
- PCI Slave Address (0,1,2 and 3) Registers [2-103](#)
- PCI Slave Attribute/ Offset (0,1,2 and 3) Registers [2-104](#)
- PCI/PMC/Expansion [1-2](#)
- PCIX slot [1-17](#)
- performance
 - SMC [3-6](#)
- Peripheral Support [1-2](#)
- PHB [2-1](#)
 - address mapping [2-6](#)
 - Configuration registers, mapped in PCI Configuration space [2-19](#)
 - configuration type [2-31](#)
 - contention handling explained [2-45](#)
 - endian conversion [2-38](#)
 - error types described [2-41](#)
 - Hawk [1-4](#)
 - PPC register map [2-68](#)
 - Registers described [2-40](#)
 - retuning write thresholds [2-11](#)
 - spread I/O addressing [2-30](#)
 - watchdog timers [2-42](#)
- PHB-Detected Errors Destination Register [2-126](#)
- PHB-Detected Errors Vector/Priority Register [2-125](#)
- PIB DMA channel assignments [1-39](#)
- pipelining
 - removing [2-7](#)
- Planar PCI Device Identification [1-20](#)
- PMC
 - slot 1 arbiter [1-15](#)
 - slot 2 arbiter [1-15](#)
- PMC mode [1-11](#)
- PMC/PCI Expansion Slots [1-17](#)
- PowerPC 60x address to ROM/Flash address mapping with 2, 32-bit or 1, 64-bit [3-17](#)
- PowerPC 60x bus to ROM/Flash access timing using 32/64-bit devices [3-19](#)
- PowerPC 60x bus to ROM/Flash access timing using 8-bit devices [3-20](#)
- PowerPC 60x to 16bit wide ROM/Flash address mapping [3-16](#)
- PowerPlus II architecture [1-1](#)
- Power-Up Reset status bit [3-45](#)
- PPC
 - address mapping [2-6](#)
 - Bus Address Space [2-20](#)
 - bus arbiter [2-15](#)
 - Bus connections [2-5](#)
 - Bus features [2-1](#)
 - bus interface explained [2-5](#)
 - bus timer [2-18](#)
 - contention with PCI [2-45](#)
 - devices, as little endian [2-39](#)

- devices, when Big-Endian 2-38
 - Master 2-10
 - Master, Bug Hog 2-14
 - Master, doing prefetched reads 2-13
 - Master, read ahead mode 2-12
 - parity 2-17
 - register map 2-68
 - registers 2-68
 - slave's role 2-7
 - to PCI address translation 2-7
 - write posting 2-9
 - PPC Arbiter
 - debug functions 2-16
 - parking modes 2-16
 - prioritization schemes 2-16
 - PPC Arbiter Control Register 2-73
 - PPC Error Address Register 2-84
 - PPC Error Attribute Register - EATTR 2-85
 - PPC Error Enable Register 2-79
 - PPC Error Status Register 2-82
 - PPC Slave Address (0,1 and 2) Registers 2-88
 - PPC Slave Address (3) Register 2-89
 - PPC Slave Address Register 2-90
 - PPC Slave Offset/Attribute (0,1 and 2) Registers 2-91
 - PPC60x Bus Interface
 - SMC 3-9
 - PPC60x Data Parity 3-10
 - Prescaler Adjust Register 2-77
 - priority schemes
 - described (PCI arbiter) 2-35
 - PRK
 - as used in arbitration parking 2-37
 - Processor Init Register 2-116
 - processor internal clock frequenc 1-9
 - Processor Memory Map 1-4
 - Processor PLL Configuration 1-9
 - Processor Type Identification 1-9
 - Processor Version Register (PVR) 1-9
 - processor/memory domain
 - MPC750 4-9
 - Processors 1-9
 - programmable DMA Controller 1-2
 - Programmable Lock Resolution 2-46
 - programming details 1-1, 4-1
 - programming information
 - added resources [xxi](#)
 - programming ROM/Flash devices 3-75
 - PVR value 1-9
- ## R
- RAM A BASE 3-43, 3-68
 - RAM B BASE 3-43, 3-68
 - RAM C BASE 3-43, 3-68
 - RAM D BASE 3-43, 3-66, 3-67, 3-68
 - read ahead mode
 - in PPC Master 2-12
 - Read/Write Checkbits control bit 3-46
 - Read/Write to ROM/Flash 3-56
 - refdis 3-46
 - refresh/scrub 3-34
 - SMC 3-34
 - Refresh/Scrub Address Register
 - SMC 3-53
 - register
 - Status 1-24
 - register bit descriptions
 - SMC 3-38
 - register map 2-68
 - PCI 2-97
 - PPC 2-68
 - register summary 3-36
 - registers
 - CLK Frequency 3-44
 - CONFIG_ADDRESS 2-106
 - CONFIG_DATA 2-109
 - Current Task Priority 2-127
 - End-of-Interrupt 2-128
 - External Source Destination 2-124
 - External Source Vector/Priority 2-122
 - Feature Reporting 2-113
 - General Purpose 2-96
 - Global Configuration 2-114
 - Hardware Control-Status Register 2-77

- Header Type [2-101](#)
- Interprocessor Interrupt Dispatch [2-126](#)
- Interrupt Acknowledge [2-127](#)
- IPI Vector/Priority (MPIC) [2-117](#)
- MPIC [2-110](#)
- MPIC I/O Base Address [2-102](#)
- MPIC Memory Base [2-102](#)
- PCI [2-97](#)
- PCI Interrupt Acknowledge [2-87](#)
- PCI Slave Address [2-103](#)
- PCI Slave Attribute [2-104](#)
- PHB-Detected Errors Destination [2-126](#)
- PHB-Detected Errors Vector/Priority [2-125](#)
- PPC Error Address [2-84](#)
- PPC Error Attribute [2-85](#)
- PPC Error Enable [2-79](#)
- PPC Error Status [2-82](#)
- PPC Slave Address [2-90](#)
- PPC Slave Offset/Attribute [2-89](#), [2-91](#)
- Processor Init (MPIC) [2-116](#)
- SMC
 - Address Parity Error Address [3-72](#)
 - SMC 32-Bit Counter [3-73](#)
 - SMC Address Parity Error Log [3-71](#)
 - SMC Base Address [3-68](#)
 - SMC Data Parity Error Address [3-62](#)
 - SMC Data Parity Error Log [3-61](#)
 - SMC Data Parity Error Lower Data [3-63](#)
 - SMC Data Parity Error Upper Data [3-62](#)
 - SMC ECC Control [3-46](#)
 - SMC Error Address [3-52](#)
 - SMC Error Logger [3-50](#)
 - SMC External Register set [3-73](#)
 - SMC General Control Register [3-39](#)
 - SMC ROM A Base/Size [3-54](#)
 - SMC ROM B Base/Size [3-57](#)
 - SMC ROM Speed Attributes [3-59](#)
 - SMC Scrub Address [3-53](#)
 - SMC Scrub/Refresh [3-52](#)
 - SMC SDRAM Base Address [3-43](#)
 - SMC SDRAM Enable and Size [3-41](#), [3-67](#)
 - SMC SDRAM Speed Attributes [3-69](#)
 - SMC tben [3-74](#)
 - SMC Vendor/Device Register [3-39](#)
 - Spurious Vector (MPIC) [2-118](#)
 - Timer Basecount (MPIC) [2-120](#)
 - Timer Current Count (MPIC) [2-119](#)
 - Timer Destination [2-122](#)
 - Timer Frequency (MPIC) [2-118](#)
 - Timer Vector/Priority [2-121](#)
 - Vendor Identification (MPIC) [2-116](#)
 - WDTxCNTL [2-92](#)
 - WDTxSTAT [2-96](#)
 - writing to the control registers [3-75](#)
- related documentation, ordering [B-1](#)
- RESET and ABORT Switch [1-2](#)
- Revision ID [3-40](#)
- Revision ID Register [2-70](#)
- Revision ID/ Class Code Registers [2-101](#)
- Revision ID/General Control Register [3-39](#)
- ROM
 - Block A Size Encodings [3-55](#)
 - Block B Size Encoding [3-58](#)
 - Flash [3-14](#)
 - Flash A Base Address control bits [3-54](#)
 - Flash A size encoding [3-55](#)
 - Flash A Width control bit [3-54](#)
 - Flash B Base Address control bits [3-57](#)
 - Flash B Width control bit [3-58](#)
 - ROM Block B Size Encoding [3-58](#)
 - ROM Speed Attributes Register
 - SMC [3-59](#)
 - ROM/Flash A Base/Size Register
 - SMC [3-54](#)
 - ROM/Flash B Base/Size Register
 - SMC [3-57](#)
 - rom_a_64 [3-54](#)
 - ROM_A_BASE [3-54](#)
 - rom_a_en [3-56](#)
 - rom_a_rv [3-55](#)

rom_a_rv and rom_b_rv encoding 3-55
rom_a_siz 3-55
rom_a_we 3-56
rom_b_64 3-58
ROM_B_BASE 3-57
rom_b_en 3-58
rom_b_rv 3-58
rom_b_siz 3-58
rom_b_we 3-59
Row Address 3-53
rwcB 3-46

S

SBC mode 1-11
SBE_COUNT 3-51
scb0,scb1 3-52
scien 3-48
scof 3-51
scrub counter 3-52
Scrub Write Enable control bit 3-52
Scrub/Refresh Register
 SMC 3-52
SDRAM
 block organization 3-9
 connections (block diagram) 3-4
 Operational Method for Sizing 3-84
 registers initializing 3-76
 sizing 3-77
 speed attributes 3-76
 speeds 3-7
SDRAM Attributes Register
 SMC 3-41
SDRAM Base Address Register
 SMC 3-68
SDRAM Base Address/Enable 3-77
SDRAM Base Register
 SMC 3-43
SDRAM Control Registers
 Initialization Example 3-78
SDRAM Enable and Size Register
 SMC 3-67
SDRAM Speed Attributes Register

 SMC 3-69
Serial Presence Detect (SPD) 3-77
Serial Presence Detect (SPD) Definitions
 1-12
sien 3-49
Single Bit Error Counter 3-51
single-beat reads/writes 3-6
single-bit error 3-12
single-bit errors ordered by syndrome code
 3-88
sizing SDRAM 3-77
SMC
 32-Bit Counter 3-73
 address parity 3-10
 Address Parity Error Address Register
 3-72
 Address Parity Error Log Register 3-71
 cache coherency 3-11
 CLK Frequency Register 3-44
 CSR Accesses 3-34
 cycle types 3-11
 data parity 3-10
 Data Parity Error Upper Data Register
 3-62
 data transfers 3-9
 ECC Control Register 3-46
 Error Address Register 3-52
 error correction 3-11
 Error Logger Register 3-50
 error logging 3-13
 External Register Set 3-34
 General Control Register 3-39
 Hawk 1-4
 L2 cache support 3-11
 on Hawk 3-1
 refresh/scrub 3-34
 ROM A Base/Size Register 3-54
 ROM B Base/Size Register 3-57
 ROM Speed Attributes Register 3-59
 Scrub/Refresh Register 3-52
 SDRAM Base Address Register 3-43,
 3-68

- SDRAM Enable and Size Register 3-41, 3-67
 - SDRAM Speed Attributes Register 3-69
 - Vendor/Device Register 3-39
 - SMC Data Parity Error Address Register 3-62
 - SMC Data Parity Error Log Register 3-61
 - SMC Data Parity Error Lower Data Register 3-63
 - SMC External Register Set 3-73
 - SMC Scrub Address Register 3-53
 - SMC tben Register 3-74
 - soft reset
 - MPIC 4-5
 - software considerations 3-75
 - Hawk 3-75
 - Software Readable Header Register 1-29
 - sources of reset
 - MVME5100 4-5
 - SPD 3-77
 - SPD JEDEC standard definition 1-12
 - Speculative PCI Request 2-47
 - spread I/O addressing
 - as function of PHB 2-30
 - Spurious Vector Register 2-118
 - SRAM base address 3-35
 - status bit descriptions 3-38
 - Status Register 1-23, 1-24
 - strap pins configuration for the PC87308VUL 1-34
 - swen 3-52
 - syndrome codes ordered by bit in error 3-87
 - System Bus 1-8
 - System Controller Mode bit 1-24
 - System Memory Controller (SMC) 3-1
- T**
- TA
 - as used with PPC Slave 2-7
 - Table 2-10
 - Table 2-2. 2-10
 - target initiated termination
 - 2-24
 - TBEN Bit Register 1-27
 - tben Register
 - SMC 3-74
 - Timer Basecount Registers 2-120
 - Timer Current Count Registers 2-119
 - Timer Destination Registers 2-122
 - Timer Frequency Register 2-118
 - Timer Vector/Priority Registers 2-121
 - timing (ROM/Flash access) 3-19
 - transaction(s)
 - burst 2-8
 - compelled 2-7
 - instance of interrupt 2-8
 - ordering 2-48
 - PCI originated/PPC bound described 2-5
 - posted 2-7
 - PPC originated/PCI bound described 2-4
 - transactions
 - PPC Slave limits 2-8
 - unable to retry 2-8
 - transfer types
 - generated by PPC Master 2-14
 - PCI command code dependent 2-14
 - PPC60x bus 2-14
 - triple- (or greater) bit error 3-12
 - Tundra Universe Controller 1-2
- U**
- Universe ASIC 1-17
 - Universe chip problems after a PCI reset 4-5
 - Universe VMEbus interface ASIC 1-8, 1-15
 - User configuration Data 1-13
- V**
- Vendor ID/ Device ID Registers 2-98
 - Vendor ID/Device ID Registers 2-70
 - Vendor Identification Register 2-116
 - Vendor/Device Register
 - SMC 3-39
 - Vital Product Data 1-10, 1-13
 - Vital Product Data (VPD) B-1

VME Processor Module MVME510x 1-1
VMEbus 1-2
 memory map 1-8
 memory maps 1-8
VPD B-1
VPD - FLASH Memory Configuration Data
 B-9
VPD - L2 Cache Configuration Data B-10
VPD - Product Configuration Options B-7
VPD - Revision Data B-12
VPD definitions B-4
VPD SROM 1-10
VPD/SPD
 explained 1-14

W

Watchdog Timer
 registers 2-43
watchdog timers
 as part of PHB 2-42
WDTxCNTL register 2-43
WDTxCNTL Registers 2-92
WDTxSTAT Registers 2-96
write posting
 as part of PHB tuning 2-11
writing to the control registers 3-75

Z

Z8536 CIO port pins assignment 1-36

Free Manuals Download Website

<http://myh66.com>

<http://usermanuals.us>

<http://www.somanuals.com>

<http://www.4manuals.cc>

<http://www.manual-lib.com>

<http://www.404manual.com>

<http://www.luxmanual.com>

<http://aubethermostatmanual.com>

Golf course search by state

<http://golfingnear.com>

Email search by domain

<http://emailbydomain.com>

Auto manuals search

<http://auto.somanuals.com>

TV manuals search

<http://tv.somanuals.com>