



Freescale Semiconductor, Inc.
MOTOROLA

Motorola, Inc.

ARCHIVED BY FREESCALE SEMICONDUCTOR, INC. 2005


M68EZ328ADS v2.0

Application Development System

User's Manual
Revision 1.0

JAN 19, 2000

Preliminary

Motorola reserves the right to make changes without further notice to any product herein to improve reliability, function, or design. Motorola does not assume any liability arising out of the application or use of any product, circuit, or software described herein; neither does it convey any license under its patent rights nor the rights of others. Motorola products are not designed, intended, or authorized for use as components in systems intended for surgical implant into the body, or other applications intended to support life, or for any other application in which the failure of the Motorola product could create a situation where personal injury or death may occur. Should Buyer purchase or use Motorola products for any such intended or unauthorized application, Buyer shall indemnify and hold Motorola and its officers, employees, subsidiaries, affiliates, and distributors harmless against all claims, costs, damages, and expenses, and reasonable attorney fees arising out of, directly or indirectly, any claim of personal injury or death associated with such unintended or unauthorized use, even if such claim alleges that Motorola was negligent regarding the design or manufacture of the part. Motorola and the  are registered trademarks of Motorola Ltd.

**For More Information On This Product,
Go to: www.freescale.com**

TABLE OF CONTENTS

Section 1 General Information

1.1	Introduction	1-6
1.2	Features	1-6
1.3	Related Documentation	1-7
1.4	Technical Support	1-7
1.4.1	M68EZ328ADS v2.0	1-7
1.4.2	Debugger	1-7

Section 2 Quick Installation Guide

2.1	Overview	2-8
2.2	Equipments Required	2-8
2.3	Installation Procedure	2-8
2.3.1	Prepare the M68EZ328ADS v2.0 board	2-8
2.3.2	Connecting M68EZ328ADS v2.0 to PC	2-11
2.3.3	Installing software debugger	2-11

Section 3 Hardware Description and Board Operation

3.1	Overview	3-16
3.2	Control Switches	3-17
3.3	DIP Switches	3-17
3.4	Operation Modes	3-18
3.5	LED Indicators	3-18
3.6	Memory	3-19
3.6.1	Memory Map	3-19
3.6.2	FLASH Memory	3-19
3.6.3	EMU ROM	3-20
3.6.4	EDO DRAM	3-21
3.7	UART and IRDA	3-22
3.8	Debug Port	3-23
3.9	LCD and Touch Panel Interface	3-23
3.9.1	LCD Interface	3-23
3.9.2	Touch Panel Interface	3-24
3.10	Single Tone Generator	3-25
3.11	Logic Analyzer Interface	3-25
3.12	ExPANSION Connectors	3-25
3.13	Power Supply	3-26

Appendix A
Comparison of M68EZ328ADS Version 1.x and 2.0

A.1 HardwareA-28
A.2 SoftwareA-28

Appendix B
Resistive Touch Panel Operation

B.1 General Concepts of Resistive PanelsB-30

Appendix C
Programming On-board Flash Memory

C.1 Overview C-32
C.2 Elements for programming the flash C-32
C.3 Method C-33
C.4 Offset Address of ROM Image C-33
C.5 Executing ProgRam Command Sequence C-34

Appendix D
Monitor Initialization Code

D.1 Initialization Code of Metrowerks Monitor (Reset.S) D-40
D.2 Initialization Code of SDS Monitor (Monitor.H) D-44

Appendix E
Schematics

E.1 M68EZ328ADS v2.0E-54

Freescale Semiconductor, Inc.

Table of Contents

ARCHIVED BY FREESCALE SEMICONDUCTOR, INC. 2005

Freescale Semiconductor, Inc.

ARCHIVED BY FREESCALE SEMICONDUCTOR, INC. 2005

LIST OF ILLUSTRATIONS

2-1	M68EZ328ADS v2.0 Key Component Layout	2-9
2-2	Default DIP Switch Options for Metrowerks monitor	2-10
2-3	DIP Switch Options for SDS monitor	2-10
2-4	Connecting PC to Debug Port of M68EZ328ADS v2.0	2-11
2-5	Debug Pop-Up Window of SDS v7.4	2-14
2-6	Connection Setting inside Debug Pop-up Window of SDS v7.4	2-15
3-1	M68EZ328ADS v2.0 Functional Block Diagram	3-16
3-2	Interface of Flash Memories	3-19
3-3	Interface of EMU ROM	3-20
3-4	Interface of EDO DRAMs	3-21
3-5	UART and IRDA Interface	3-22
3-6	Serial Port Pin Assignment	3-22
3-7	Debug Port Interface	3-23
3-8	LCD and Touch Panel Connector Pin Assignment	3-23
3-9	Touch Panel Controller Interface	3-24
3-10	Single Tone Generator	3-25
3-11	Logic Analyzer Connectors	3-25
3-12	Power Connectors	3-27
2-1	Resistive Touch Panel	B-30
2-2	Determination of X,Y Position	B-31
C-1	Method of programming on-board Flash memory	C-33
C-2	Flash Program Algorithm	C-38

LIST OF TABLES

3-1	DIP Switch pack S1 Setting.....	3-17
3-2	DIP Switch pack S2 Setting.....	3-17
3-3	Operation Mode Setting	3-18
3-4	Function of LED Indicators	3-18
3-5	M68VZ328ADS v2.0 Default Memory Map	3-19
3-6	Signal Assignment for Touch Panel Controller.....	3-24
3-7	Pin Assignments of P4	3-26
A-1	Comparison of M68EZ328ADS v1.x and v2.0.....	A-28
A-2	Software Change for using M68EZ328ADS v2.0	A-28

SECTION 1

GENERAL INFORMATION

ARCHIVED BY FREESCALE SEMICONDUCTOR, INC. 2005

1.1 INTRODUCTION

The DragonBall™-EZ (MC68EZ328) Application Development System (M68EZ328ADS) is designed to supply users with an environment to develop MC68EZ328 based application software. Moreover, this board can be used as a reference for real-life product design. M68EZ328ADS provides several interface ports for application software and target board debug purpose.

DragonBall™-EZ ADS altogether has two versions released for customers. This is the second version. The board design and layout in second version has been changed a great deal. It includes simplifying the design for enhancing production quality and the easiness to use. However, most of the interfaces to external peripherals remain unchanged in order to provide high degree of compatibility with previous version. For more details on the changes, Please refer to Appendix A .

This document will discuss the usage and system details of the M68EZ328ADS v2.0.

1.2 FEATURES

- MC68EZ328 CPU
- Memory Subsystem
 - 2 MB FLASH (Expandable to 4MB)
 - 8 MB EDO DRAM
- Debug ports
 - One RS232 serial port interface to MC68EZ328 internal UART
 - One External RS232 serial port connecting to on-board UART chip
 - Direct logic analyzer interface to system bus
- LCD and Touch Panel Interface
 - MC68EZ328 LCD interface
 - Burr-Brown 12-bit touch panel controller ADS7843E available for pen input
- LED Indicators
 - Red LED for power
 - Green LED for system heart beat
 - Yellow LED for status of MC68EZ328 pin PD0
 - Yellow LED for status of MC68EZ328 pin PD1
- Board operation mode support
 - MC68EZ328 EMU mode
 - MC68EZ328 normal mode
 - MC68EZ328 bootstrap mode
- Debug Monitor
 - MetroWerks Codewarrior Target Monitor using serial port

—SDS source-level debugger monitor by Software Development System Inc. using serial port

- Clock Source
—32.768KHz for MC68EZ328 internal PLL
- Power Supply
—3.0V - 3.3V main power supply

1.3 RELATED DOCUMENTATION

The following documents can be used as references when using M68EZ328ADS.

- MC68EZ328 User's Manual
- MC68EZ328 Product Information

1.4 TECHNICAL SUPPORT

1.4.1 M68EZ328ADS v2.0

For getting the latest information, please visit our web page:

<http://www.mot.com/SPS/WIRELESS/products/DragonBall.html>

<http://www.apspg.com/products/dragonballez/mc68ez328.html>

1.4.2 Debugger

There are three source-level debuggers for DragonBall™-EZ. The contact information is listed below.

1. Metrowerks

<http://www.metrowerks.com>

2. Single Step Development

<http://www.sdsi.com>

3. Microtek SLD

<http://www.microtekintl.com>

SECTION 2

QUICK INSTALLATION GUIDE

ARCHIVED BY FREESCALE SEMICONDUCTOR, INC. 2005

2.1 OVERVIEW

This section provides a description of the evaluation module, requirements, quick installation and test information. Detailed information on the M68EZ328ADS v2.0 design and operation is provided in the remaining sections of this manual.

2.2 EQUIPMENTS REQUIRED

The following equipments are required to use with the M68EZ328ADS Application Development System, some of them are already bundled with the ADS package.

- Power supply – 3.0V-3.3V, 1500mA, with 2 mm female (inside positive) power connector
- RS-232 cable (DB9 male to DB9 female)
- IBM PC compatible computer (486 class or higher) running Windows 3.1 and DOS 6.0 (or higher), or Windows 95, with an RS-232 serial port capable of 9600-115200 bit per second operation

2.3 INSTALLATION PROCEDURE

Please follow the procedure below to set up M68EZ328ADS.

1. Prepare the M68EZ328ADS v2.0 board
2. Connect the M68EZ328ADS v2.0 board to PC and power supply
3. Install software debugger

2.3.1 Prepare the M68EZ328ADS v2.0 board

Locate the DIP switches on the M68EZ328ADS v2.0 board and select appropriate monitor and debug port for your debugger.

Figure 2-2 shows the factory default DIP switches settings. This setting selects to use Metroworks monitor. Figure 2-3 shows the DIP switches setting of using SDS monitor.

For detail description of each switch. Pls. refer to Table 3-1 and Table 3-2.

For additional information on the M68EZ328ADS v2.0 and its components. Pls refer to Section 3 .

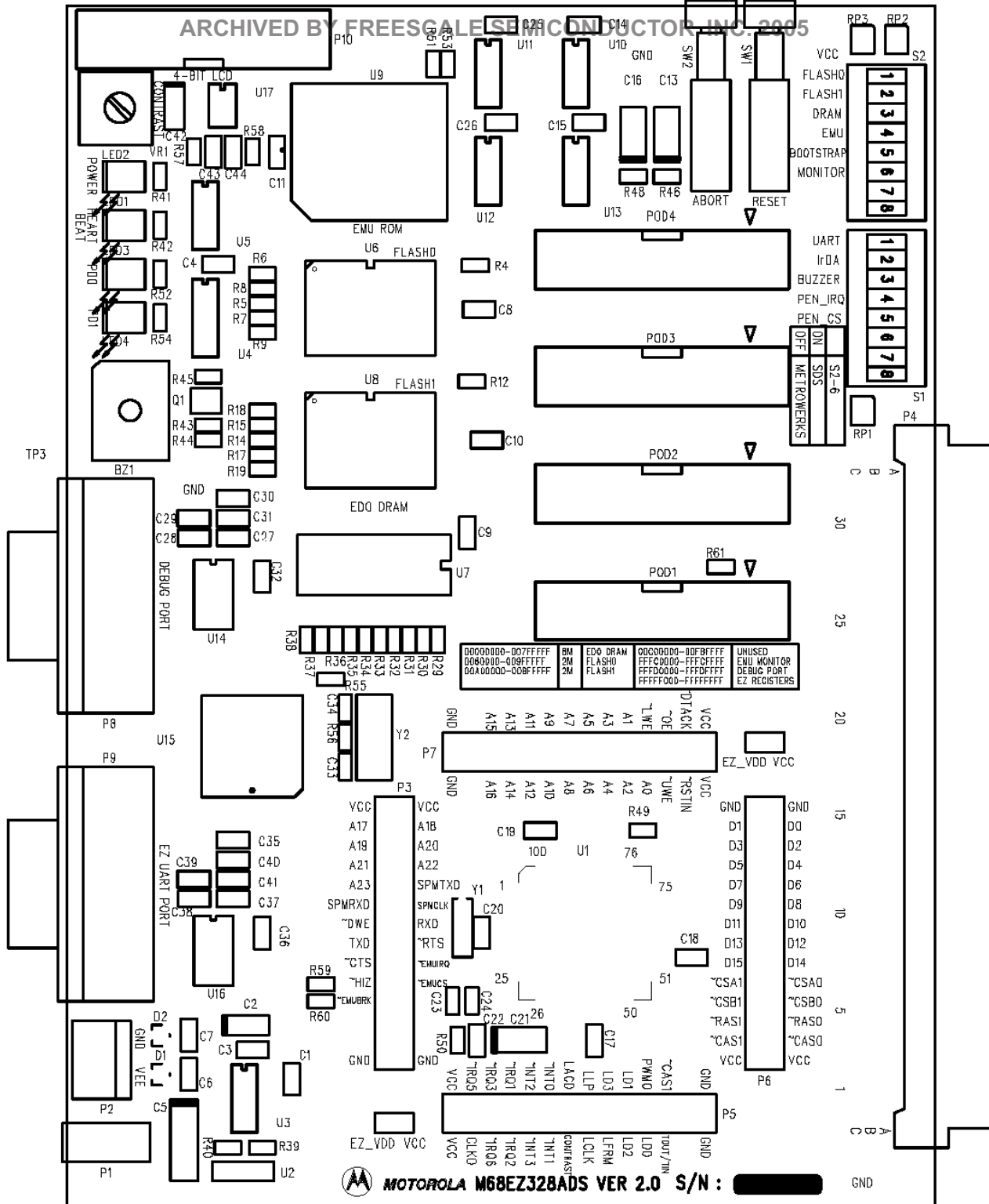


Figure 2-1. M68EZ328ADS v2.0 Key Component Layout

Monitor and Debug port selection

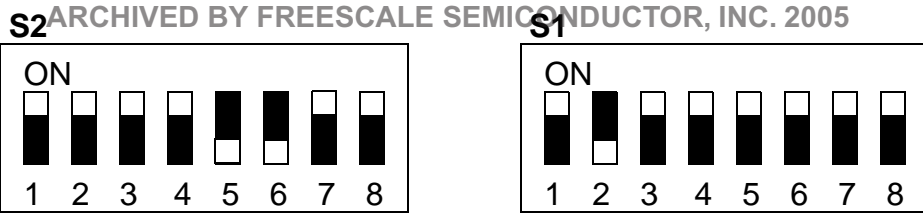


Figure 2-2. Default DIP Switch Options for Metrowerks monitor

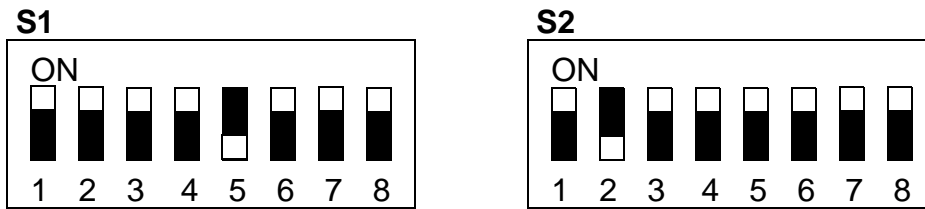


Figure 2-3. DIP Switch Options for SDS monitor

2.3.2 Connecting M68EZ328ADS v2.0 to PC

Figure 2-4 shows connections among the PC, the external power supply and the M68EZ328ADS v2.0 board. Use the following steps to complete cable connections:

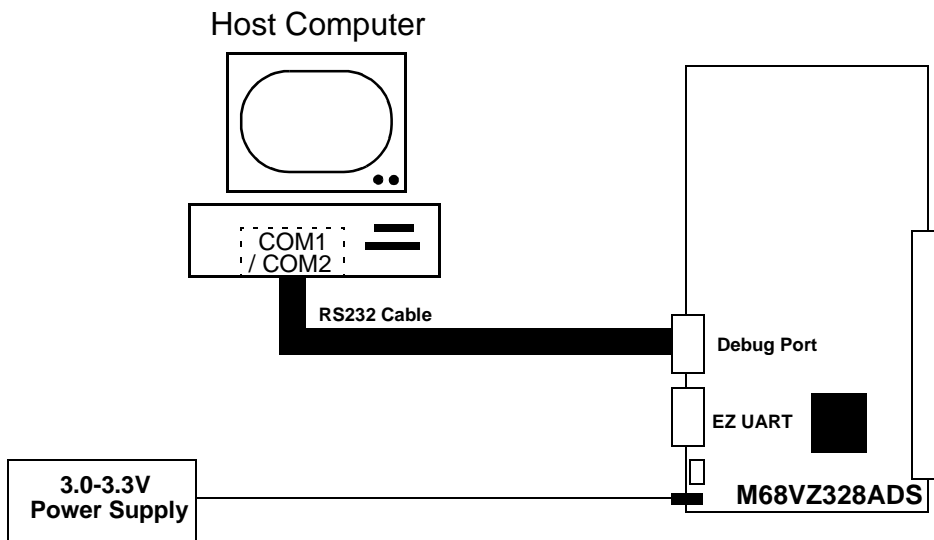


Figure 2-4. Connecting PC to Debug Port of M68EZ328ADS v2.0

For most evaluation platforms, serial communication is the primary channel to link up PC with the target board. Both Metrowerks Codewarrior and Software Development System (SDS) debug monitor support serial communication through UART port. The procedure are as follows.

1. Connect a RS232 cable from COM port (COM1 or COM2) to connector P2 of M68EZ328ADS v2.0.
2. Connect the power supply +3V or power adaptor to the P1 of M68EZ328ADS v2.0
3. Turn on the power supply. The RED LED will flash and the GREEN LED will illuminate when power is correctly applied.

2.3.3 Installing software debugger

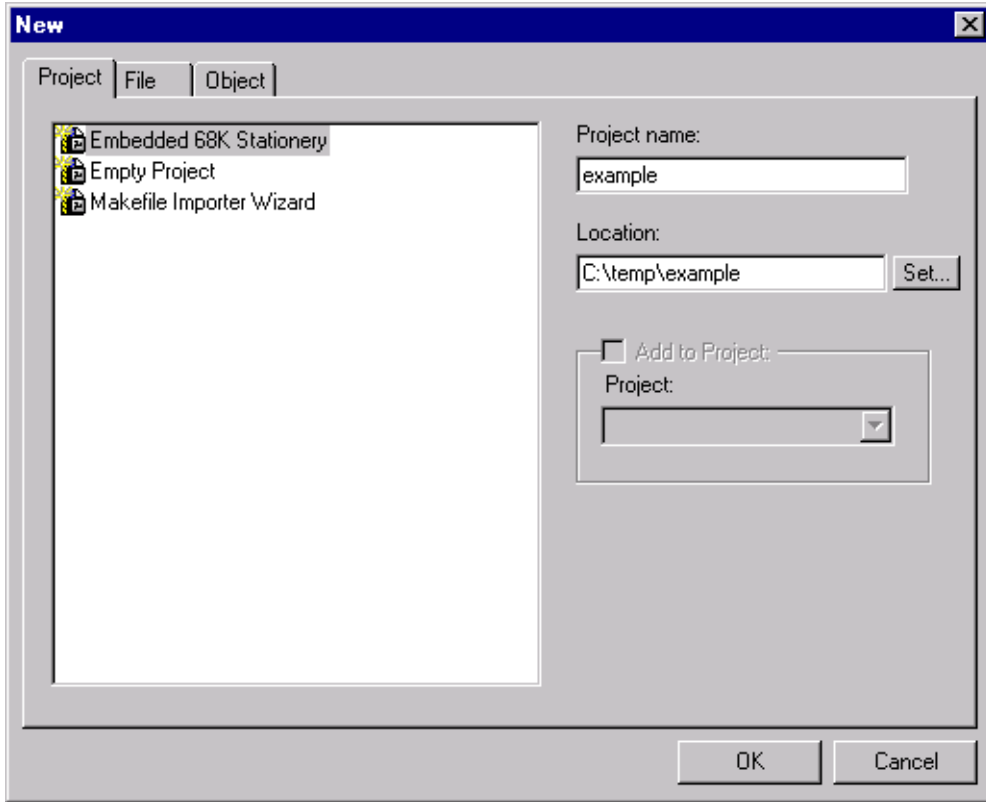
The following software debugger supports M68EZ328ADS v2.0:

- Metrowerks Codewarrior
- Single Step Development System
- SLD

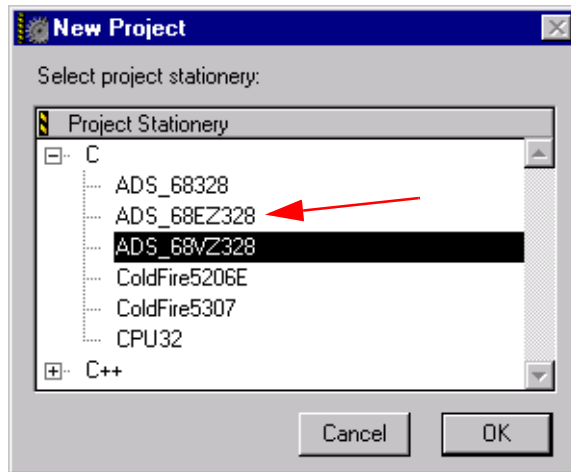
Metrowerks Codewarrior

A simple procedure for using Metrowerks Codewarrior Target Monitor:

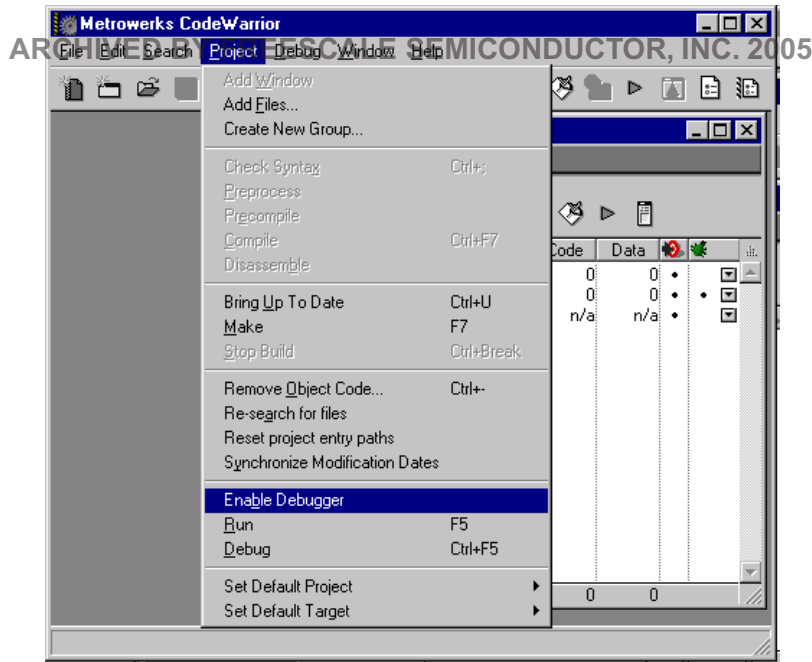
1. Install the Metrowerks Codewarrior IDE
2. Run Codewarrior IDE program.
3. Open a new project file with Embedded 68k Stationery



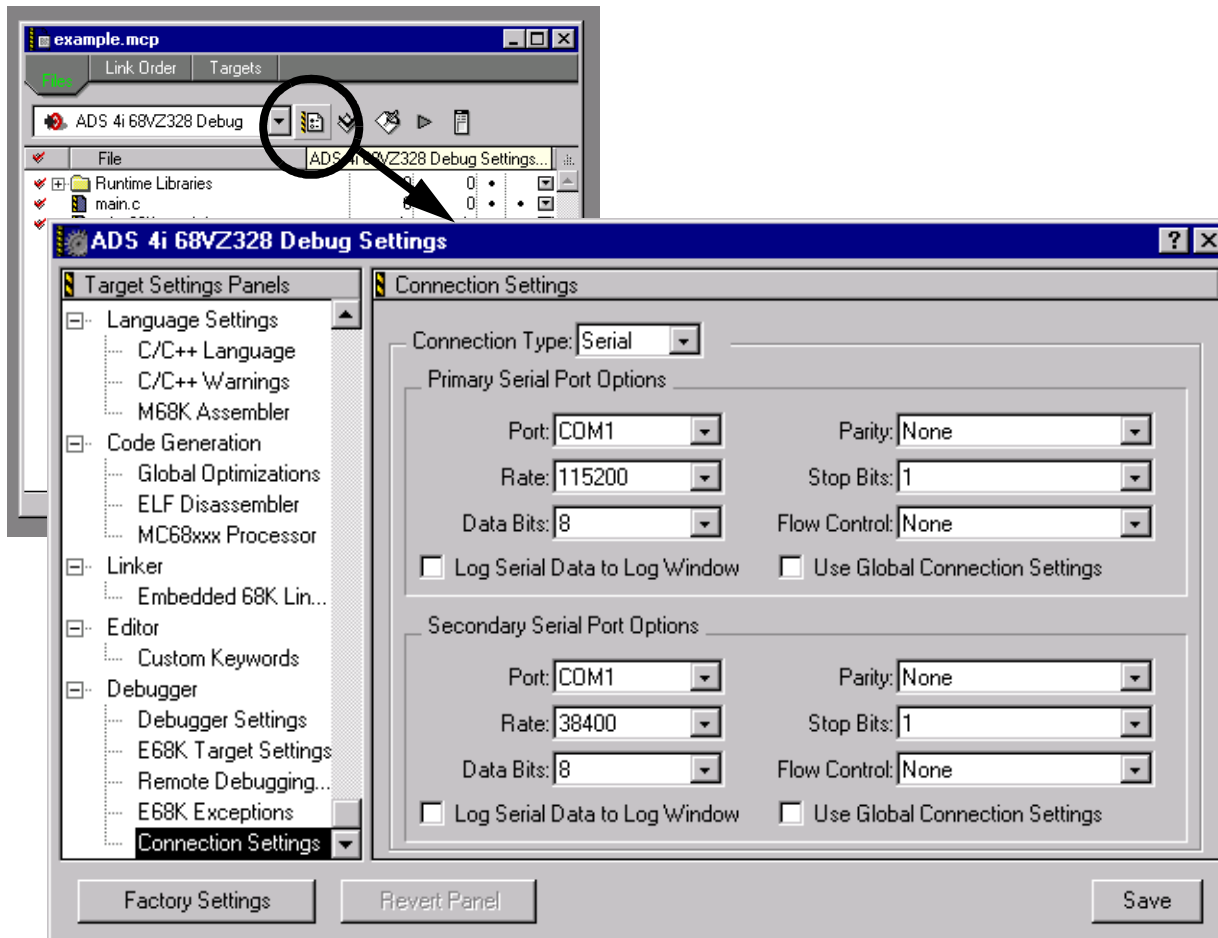
4. Select ADS_68EZ328 Stationery for new project.



- Choose "Enable Debugger" from the "Project" pull-down menu.



- Change the connection settings in the Debug Settings Windows.



7. Edit the code inside the Codewarrior IDE program.
8. Press F5 to run the program.

Single Step Development System FREESCALE SEMICONDUCTOR, INC. 2005

A simple procedure for using Single Step Debugger:

1. Install the Single Step Debugger on your PC.
2. Run Single Step Debugger
3. Choose **Debug** in the **File** pull-down menu to open the **Debug** pop-up window.
4. Inside the **Debug** pop-up window, choose the object file to download or "debug without file" as shown in Figure 2-5, select the serial port (COM1 or COM2 ...) according to the serial port of the PC connecting to the ADS, disable "hardware flow control" and the baud rate should be 115200bps as shown in Figure 2-6.
5. The file should be downloaded and then you can start your development. (For details, please refer to the SingleStep User's Manual).

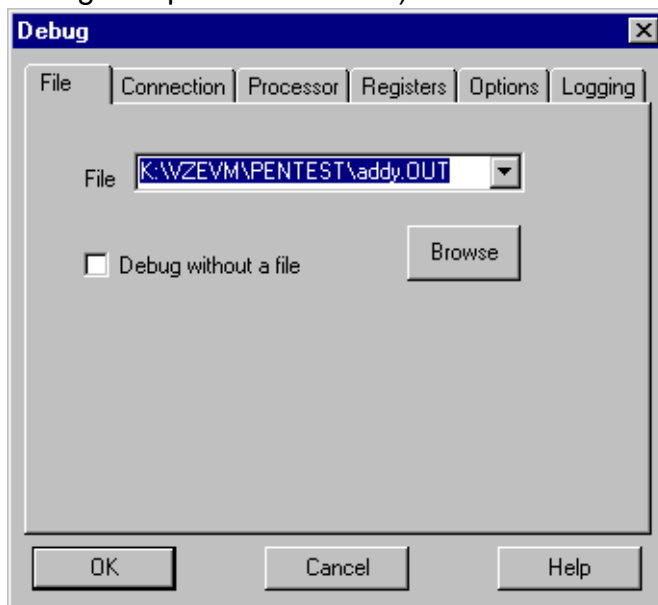


Figure 2-5. Debug Pop-Up Window of SDS v7.4

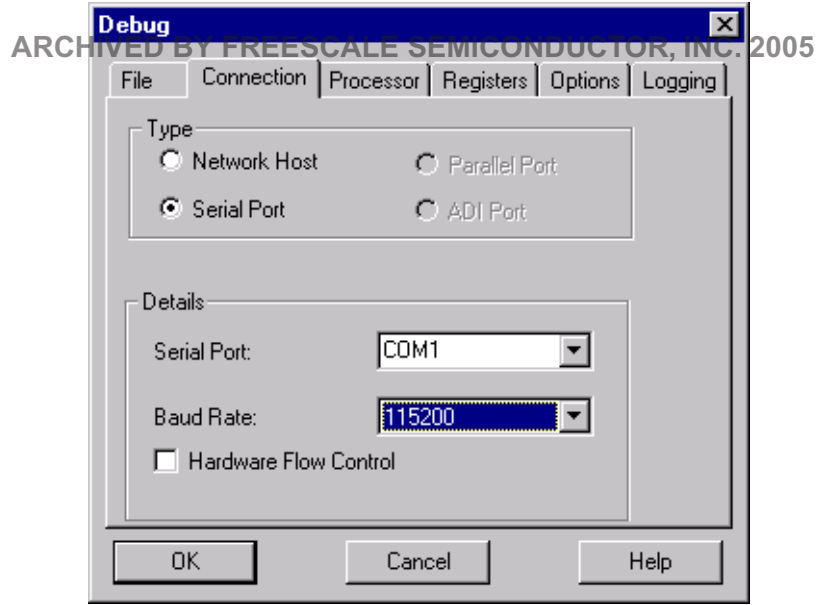


Figure 2-6. Connection Setting inside Debug Pop-up Window of SDS v7.4

SECTION 3 HARDWARE DESCRIPTION AND BOARD OPERATION

ARCHIVED BY FREESCALE SEMICONDUCTOR, INC. 2005

3.1 OVERVIEW

Figure 3-1 shows the block diagram of M68EZ328ADS v2.0.

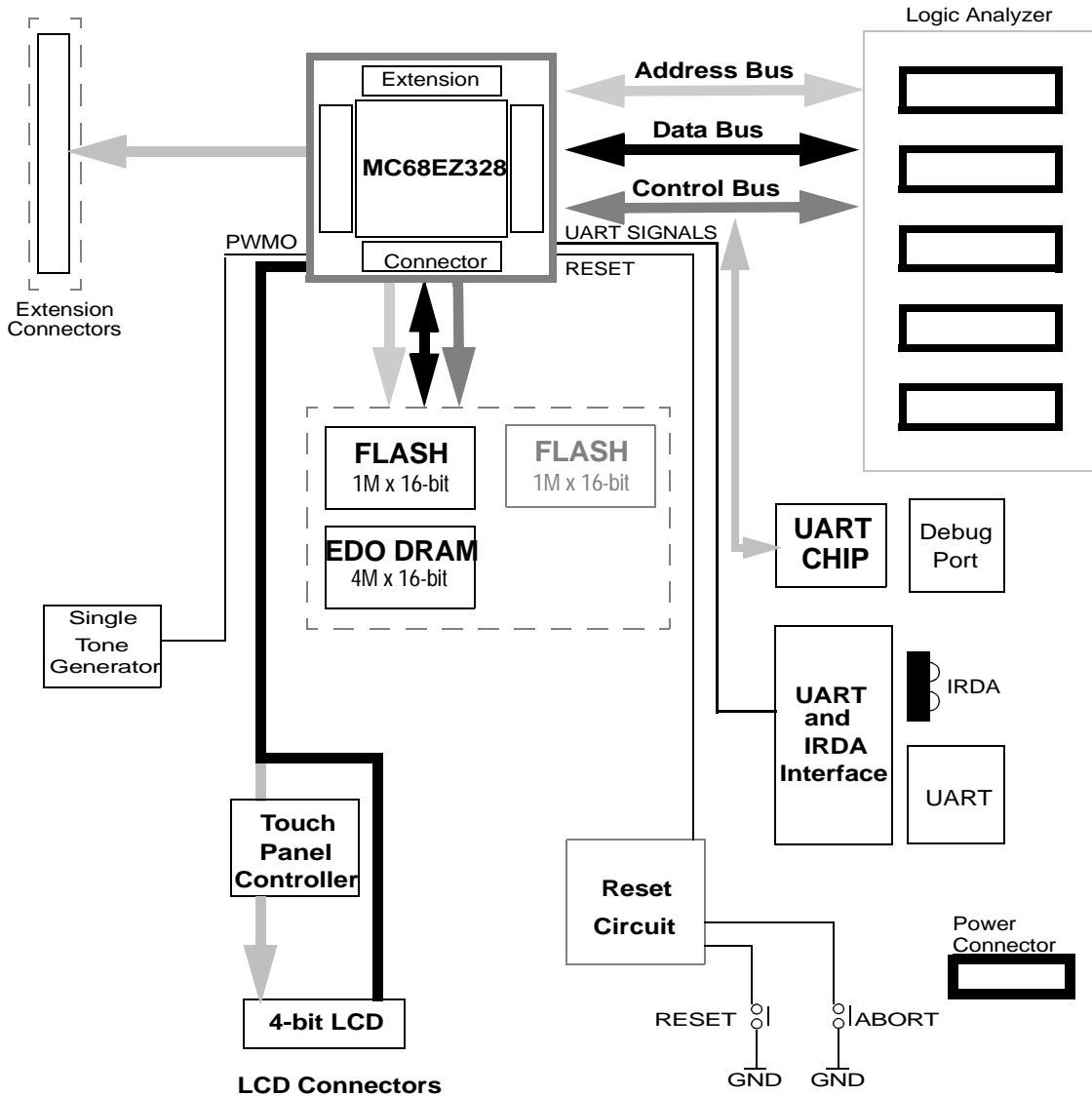


Figure 3-1. M68EZ328ADS v2.0 Functional Block Diagram

3.2 CONTROL SWITCHES

There are two push buttons on the ADS which function as follows:

ARCHIVED BY FREESCALE SEMICONDUCTOR, INC. 2005

1. **Reset Switch (SW2):** When pressed, a hardware reset is generated to the MC68EZ328 processor and resumes operation.
2. **Abort Switch (SW1):** This switch is used to generate a level 7 interrupt to the MC68EZ328 processor for aborting normal software execution and returning control to the debug monitor.

3.3 DIP SWITCHES

There are two DIP switch packs on the ADS board, S1 and S2. S1 is used to configure the memory system and operation modes. S2 is used to enable the on-board peripheral such as buzzer and touch panel controller. Table 3-1 and Table 3-2 show the description of each switch.

Table 3-1. DIP Switch pack S1 Setting

Switch	FUNCTION	ON	OFF
S1-1	UART Transceiver	Enable	Disable
S1-2	IrDA Module	Enable	Disable
S1-3	Buzzer	Enable	Disable
S1-4	Pen IRQ	Enable	Disable
S1-5	Chip Select of Touch Panel Controller	Enable	Disable
S1-6	Unused		
S1-7	Unused		
S1-8	Unused		

Table 3-2. DIP Switch pack S2 Setting

Switch	FUNCTION	ON	OFF
S2-1	CSA0 - FLASH0	Connected	Disconnected
S2-2	CSA1 - FLASH1	Connected	Disconnected
S2-3	CSD0 - EDO DRAM	Connected	Disconnected
S2-4	EMU Mode	Enable	Disable
S2-5	Bootstrap Mode	Enable	Disable
S2-6	Monitor Select	SDS	Metrowerks
S2-7	Unused		
S2-8	Unused		

3.4 OPERATION MODES

M68EZ328ADS v2.0 supports three operation modes of MC68EZ328: EMU Mode, Normal Mode and Bootstrap Mode. Selection of these operation modes is controlled by DIP switch S2-8. Operation mode has to be selected before resetting the system. Mode is not allowed to change during normal running. Table 3-3 shows the operation mode configuration.

Table 3-3. Operation Mode Setting

DIP Switch S2-4	DIP Switch S2-5	Operation Mode
ON	OFF	EMU
OFF	OFF	Normal
ON	ON	Bootstrap
OFF	ON	Bootstrap

Normal Mode - After power up or system reset in this mode, CSA0 is default to cover the whole memory map except MC68EZ328 internal registers and EMU space. Also, as reset vector fetch is at the beginning of CSA0 space, CSA0 should be connected to the boot ROM in which the first two words are reset vectors.

Bootstrap Mode - When this mode is selected, the DragonBall-EZ will start its embedded bootloader. User can use this mode to do simple debugging or reprogram the flash memories. For detailed bootstrap mode operation, please refer MC68EZ328 user's manual.

EMU Mode - When this mode is selected, the reset vectors are generated internally by the ICE module of MC68EZ328. The first instruction fetch is at \$FFFC0020. Therefore, in EMU mode the debug monitor of MC68EZ328ADS v2.0 is located beginning at \$FFFC0020. EMUCS is always running in 8-bit data bus mode covering the address space from \$FFFC0000 to \$FFFD0000

3.5 LED INDICATORS

There are four LED indicators on the ADS which function as shown in Table 3-4.

Table 3-4. Function of LED Indicators

Reference #	Color	Name	Function
LED3	Yellow	PD0	Status of PD0
LED4	Yellow	PD1	Status of PD1
LED1	Red	Heart Beat	Blinking heart beat indicates the system is "alive"
LED2	Green	Power	Power is applied to the system with right polarity

The LED3 is connected to a counter. The counter is toggled by address line A1.

3.6 MEMORY

M68EZ328ADS v2.0 provides on-board Flash memory and EDO DRAM, for application development. They can be enabled or disabled individually by setting the corresponding DIP switches.

3.6.1 Memory Map

The default memory map of M68EZ328ADS v2.0 in normal mode is shown in Table 3-5. The chip select range to all of the memory are software programmable. Users can reconfigure the memory map for their applications.

Table 3-5. M68VZ328ADS v2.0 Default Memory Map

System Address	Memory	Assigned Chip Select
\$00000000-\$007FFFFFFF	8MB EDO DRAM	CSD0
\$00800000-\$009FFFFFFF	2MB FLASH BANK0	CSA0
\$00A00000-\$00BFFFFFFF	2MB FLASH BANK1	CSA1
\$00C00000-\$00FBFFFF	Unused	-
\$FFFC0000-\$FFFCFFFF	EMU Monitor	EMUCS
\$FFFD0000-\$FFFDFFFF	Debug Port	EMUCS
\$FFFFFF00-\$FFFFFFF	MC68EZ328 Internal Register	-

3.6.2 FLASH Memory

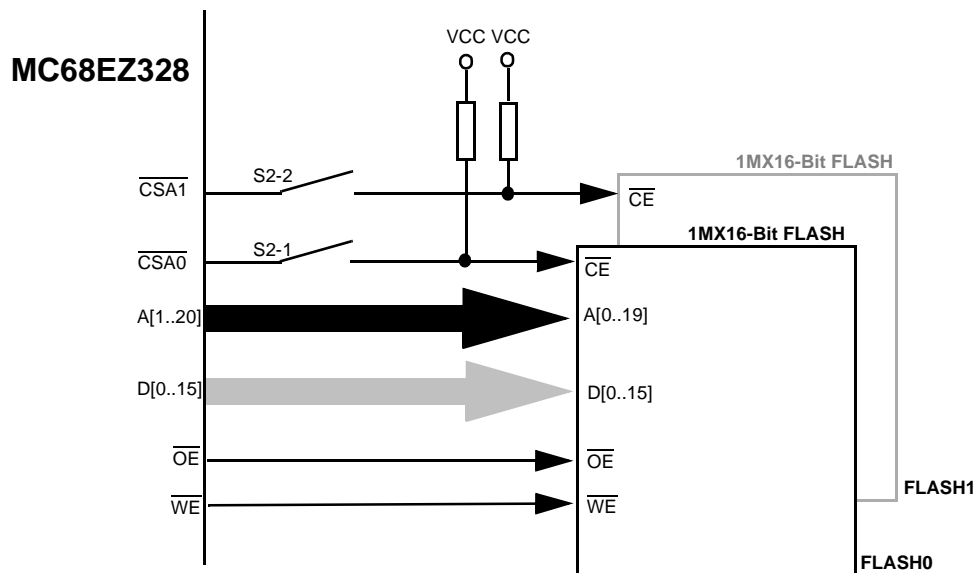


Figure 3-2. Interface of Flash Memories

M68EZ328ADS v2.0 supports up to two 2M-byte Flash memory chips. However, only one bank is installed when the board is shipped out from the factory. Figure 3-2. shows the interface of them. They are chip-selected by *CSA0 and *CSA1 signals. The connection of these *CSAx signals to the Flash memories is controlled by DIP switches S2-1 and S2-2.

Freescale Semiconductor, Inc. ARCHIVED BY FREESCALE SEMICONDUCTOR, INC. 2005

When S2-1 is ON, *CSA0 is connected to FLASH0. When S2-2 is ON, *CSA1 is connected to FLASH1. In Normal Mode, FLASH0 is the boot ROM. User can reprogram Flashes with their own application program. For more details on flash memory programming, please refer to Appendix C .

ARCHIVED BY FREESCALE SEMICONDUCTOR, INC. 2005

3.6.3 EMU ROM

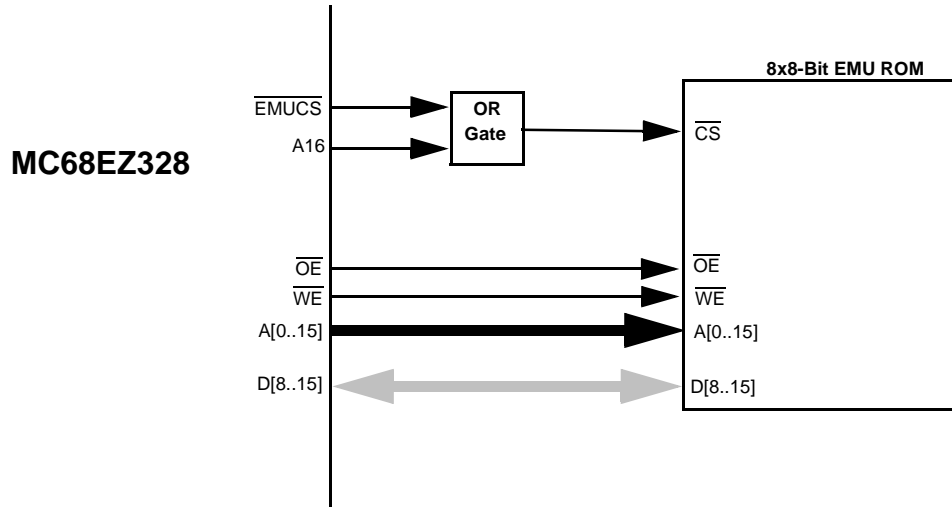


Figure 3-3. Interface of EMU ROM

The M68EZ328ADS v2.0 is equipped with one 64K-byte EMU ROM. Figure 3-3 shows the interface of the EMU ROM. This EMU ROM has already been programmed with the SDS monitor and the Metrowerks monitor when the board is shipped out from the factory.

3.6.4 EDO DRAM

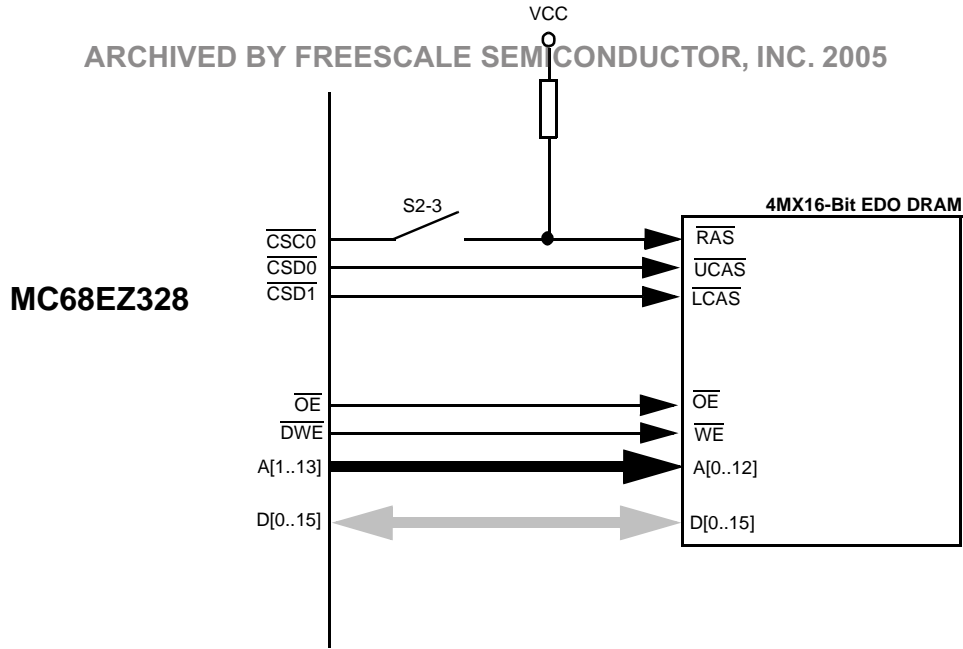


Figure 3-4. Interface of EDO DRAMs

Figure 3-4. shows the interface of EDO DRAMs. M68EZ328ADS v2.0 supports one bank of 4Mx16-bit EDO DRAMs. The EDO DRAM is enabled by turning DIP switch S2-3 on.

3.7 UART AND IRDA

ARCHIVED BY FREESCALE SEMICONDUCTOR, INC. 2005
MC68VZ328

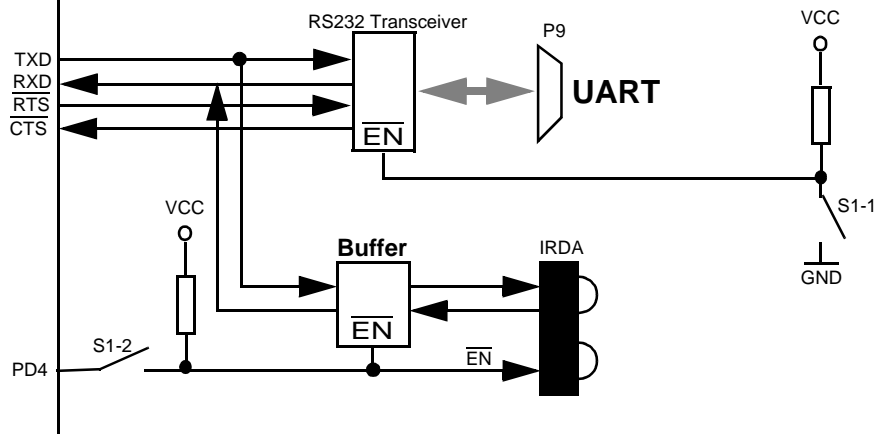


Figure 3-5. UART and IRDA Interface.

Figure 3-5 shows the UART and IRDA module. The M68EZ328ADS v2.0 has one RS232 serial ports P9. P9 is using the UART of MC68EZ328. It is 9-pin female D-Type connectors containing the signals as shown in Figure 3-6. The transceivers for UART can be enabled by turning the DIP switch S1-1 on.

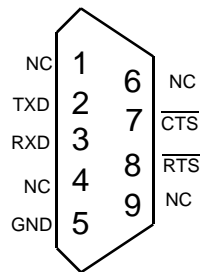


Figure 3-6. Serial Port Pin Assignment

The IrDA transceiver is provided and connected to DragonBall's UART Port only with a buffer in between for controlling its ON/OFF. If IrDA is being used, S1-1 should be switched OFF and S1-2 should be switched ON. Then, the enable/disable of IRDA is totally controlled by software through PD4 (Port D4).

3.8 DEBUG PORT

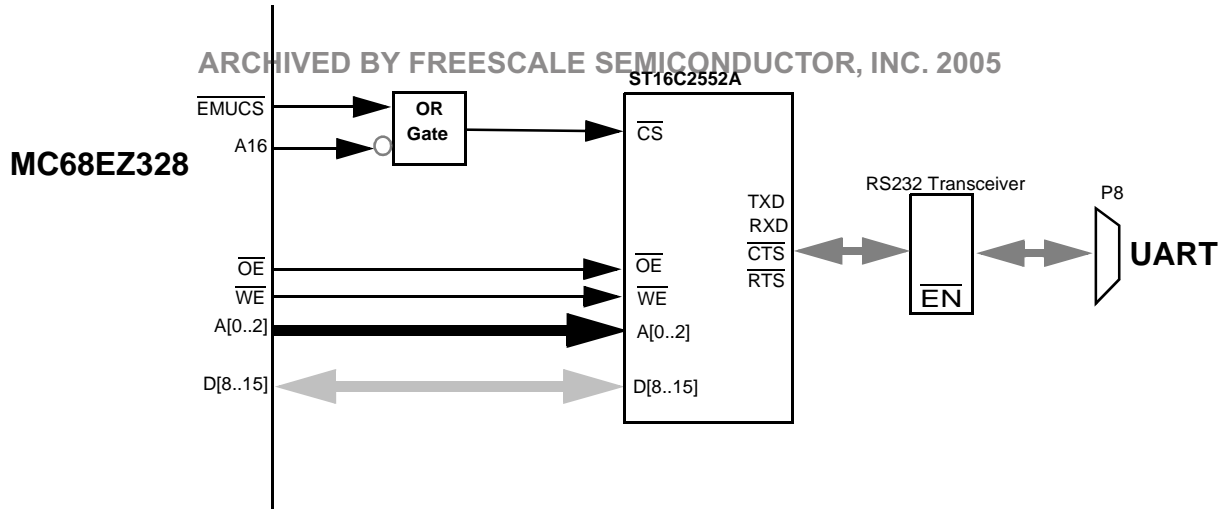


Figure 3-7. Debug Port Interface

As shown in Figure 3-7, an external UART chip ST16C2552A is used to provide one more debug port on the ADS board. This UART chip is connected with the DB9 connector P8. Its pin assignment is shown in Figure 3-6. The baud rate of this UART chip is defaulted to 115200bps.

3.9 LCD AND TOUCH PANEL INTERFACE

3.9.1 LCD Interface

M68EZ328ADS consists of one LCD panel connector, P10. P10 is designed for 4-bit LCD panel. The pin assignments of the LCD connector is shown in Figure 3-8.

P10			
LACD	1	2	LFRM
LLP	3	4	LCLK
VO	5	6	VCC
GND	7	8	VEE
LD0	9	10	LD1
LD2	11	12	LD3
GND	13	14	LCONTRAST
PB1	15	16	NC
TOP	17	18	BOTTOM
LEFT	19	20	RIGHT

Figure 3-8. LCD and Touch Panel Connector Pin Assignment

For full description of the LCD signals, please refer to the MC68EZ328 User's Manual.

3.9.2 Touch Panel Interface

ARCHIVED BY FREESCALE SEMICONDUCTOR, INC. 2005

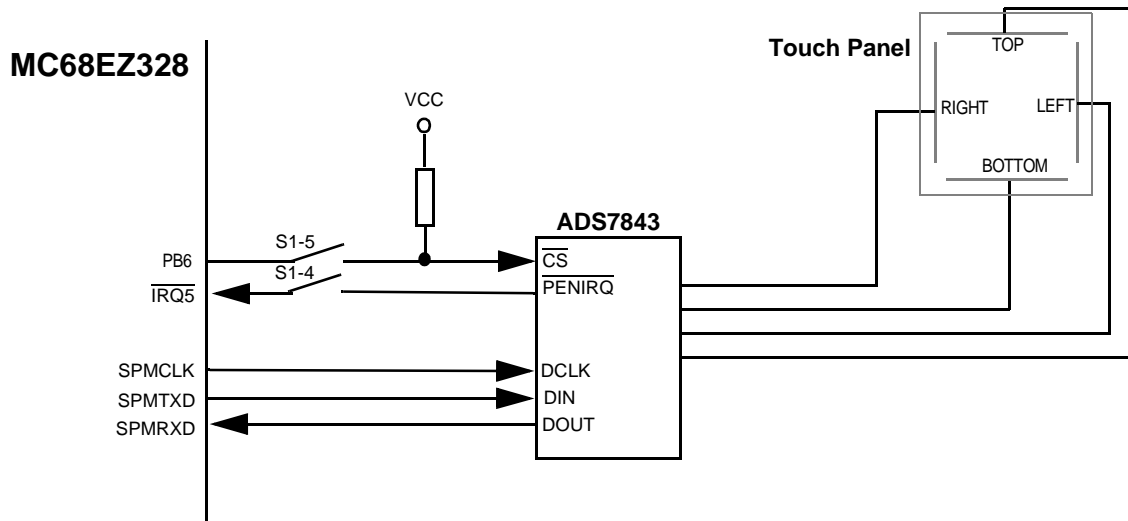


Figure 3-9. Touch Panel Controller Interface

The M68EZ328ADS board is equipped with Burr-Brown Touch Panel Controller ADS7843. Figure 3-9 shows the interface of Touch Panel Controller. Totally one I/O signal, one interrupt capable I/O signal and one set of SPIM signals from MC68EZ328 are used to implement the touch panel circuitry. All of these signals can be shared for other devices when touch panel interface controller is being disabled. The on-board touch panel controller can be disabled by turning both DIP switches S1-4, S1-5 off.

Table 3-6. Signal Assignment for Touch Panel Controller

Signals	Function
SPMRXD, SPMTXD, SPMCLK	This set of serial port interface signals performs data transfer with ADS7843. For detailed operation on the SPI port, please refer to the MC68EZ328 User's Manual.
~IRQ5	This signal is a MC68EZ328 interrupt capable I/O pin.
PB6	This MC68EZ328 general I/O signal is used to select the ADS7843 on data transfer.

The ADS7843 is a 12-bit sampling analog-to-digital converter (ADC) with a synchronous serial interface and low on-resistance switches for touch screens. The ADS7843 communicates with MC68EZ328 through SPI (Serial Peripheral Interface). In this case, ADS7843 is a slave, and MC68EZ328 is a master. For the detailed operation of ADS7843, please refer to its datasheet. The datasheet is available at the following web site.

<http://www.burr-brown.com>

For more details on the operation of resistive touch panel, please refer to Appendix B .

3.10 SINGLE TONE GENERATOR

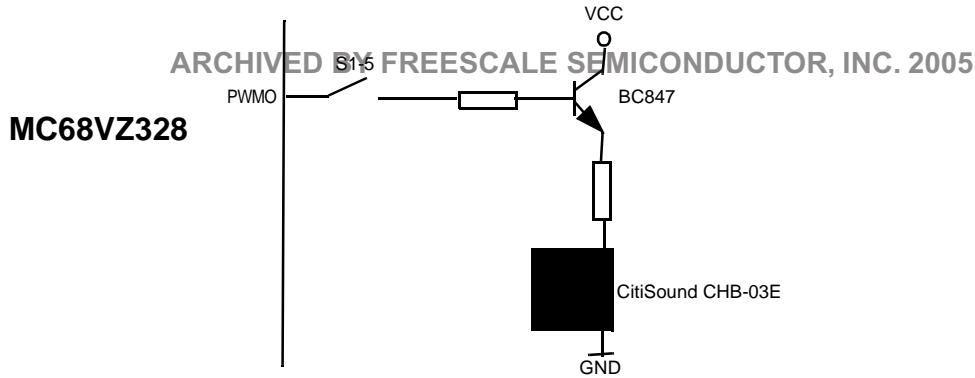


Figure 3-10. Single Tone Generator

Citizen single tone generator CHB-03E is provided on M68EZ328ADS v2.0. As shown in Figure 3-10, a simple transistor circuit is used to interface the CHB-03E with the PWMO pin of MC68EZ328.

3.11 LOGIC ANALYZER INTERFACE

To provide a convenient way of connecting on-board signals to a logic analyzer, ADS board provides five 10x2-pin headers for direct plug-in. Pin assignments to these five headers are shown in Figure 3-11.

POD3			POD2			POD1			POD4		
1	2		1	2		1	2		1	2	
CLKO	3	D15	EMUCS	3	EMUIRQ	CSA0	3	CSA0	DTACK	3	A15
D14	5	D13	RSTIN	5	OE	CSA1	5	CSB0	A14	5	A13
D12	7	D11	EMUCS	7	UWE	CSB1	7	RAS0	A12	7	A11
D10	9	D9	LWE	9	DTACK	RAS1	9	CAS0	A10	9	A9
D8	11	D7	CONTRAST	11	LACD	CAS1	11	A23	A8	11	A7
D6	13	D5	LCLK	13	LLP	A22	13	A21	A6	13	A5
D4	15	D3	LFRM	15	LD3	A20	15	A19	A4	15	A3
D2	17	D1	LD2	17	LD1	A18	17	A17	A2	17	A1
D0	19	GND	LD0	19	GND	A16	19	GND	A0	19	GND

Figure 3-11. Logic Analyzer Connectors

3.12 EXPANSION CONNECTORS

The M68EZ328ADS v2.0 provides basic features for software development and evaluation. If user wants to add application subsystem to M68EZ328ADS v2.0, it can utilize the signals provided on 32x3 local bus connector (P4). Some of these MC68EZ328 signals are used by the on-board modules. If users want to use any of these signals for their daughter card, the corresponding on-board module may have to be disabled to avoid contention.

The pin assignments for extension connectors are shown in Table 3-7.

Table 3-7. Pin Assignments of P4

Pin#	A	B	C
1	GND	GND	GND
2	D0/PA0	D1/PA1	D2/PA2
3	D3/PA3	D4/PA4	D5/PA5
4	D6/PA6	D7/PA7	D8
5	D9	D10	D11
6	D12	D13	D14
7	D15	CSA0	PF7/CSA1
8	PB0/CSB0	PB1/CSB1	PB2/CSC0/RAS0
9	PB3/CSC1/RAS1	PB4/CSD0/CAS0	PB5/CSD1/CAS1
10	PB6/TOUT/TIN	PB7/PWMO1	PC0/LD0
11	PC1/LD1	PC2/LD2	PC3/LD3
12	PC4/LFRM	PC5/LLP	PC6/LCLK
13	PC7/LACD	PD0/INT0	PD1/INT1
14	PD2/INT2	PD3/INT3	PD4/IRQ1
15	PD5/IRQ2	PD6/IRQ3	PD7/IRQ6
16	PE0/SPMTXD	PE1/SPMRXD	PE2/SPMCLK
17	PE3/DWE/UCLK	PE4/RXD	PE5/TXD
18	PE6/RTS	PE7/CTS	PF0/LCONTRAST
19	PF1/IRQ5	PF2/CLKO	PG1/A0
20	MA0/A1	MA1/A2	MA2/A3
21	MA3/A4	MA4/A5	MA5/A6
22	MA6/A7	MA7/A8	MA8/A9
23	MA9/A10	MA10/A11	MA11/A12
24	MA12/A13	MA13/A14	MA14/A15
25	MA15/A16	A17	A18
26	A19	PF3/A20	PF4/A21
27	PF5/A22	PF6/A23	PG2/EMUIRQ
28	PG3/HIZ/P/D	PG4/EMUCS	PG5/EMUBRK
29	PG0/BUSW/DTACK	RESET	OE
30	UWE	LWE	PK2/LDS
31	PK3/UDS	PK1/R/W	NC
32	VCC	VCC	VCC

3.13 POWER SUPPLY

There are two power input connectors on the ADS, P1 and P2. P1 is designed for external 3V DC main power supply, which supplies power to the MC68EZ328 processor and most of the on-board components. P2 is used for LCD driver (VEE) power supply. If an LCD panel

is connected to the ADS, the LCD driver can be powered by this VEE input. Figure 3-12 locates the power connectors and their polarity.

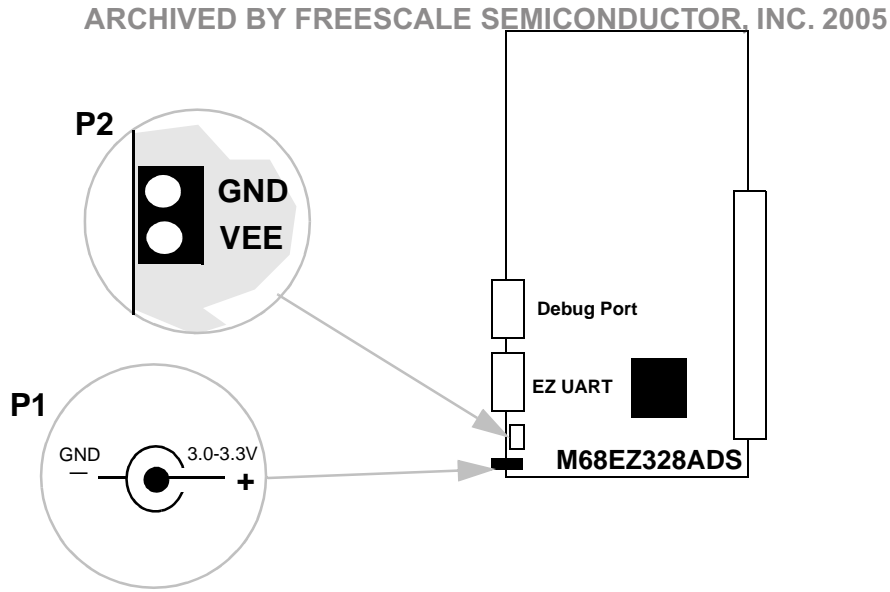


Figure 3-12. Power Connectors

APPENDIX A

COMPARISON OF M68EZ328ADS VERSION 1.X AND 2.0

ARCHIVED BY FREESCALE SEMICONDUCTOR, INC. 2005

This section describes the difference between the M68EZ328ADS version 1.x and 2.0. If user is not upgrading the development platform from M68EZ328ADS v1.x to v2.0, this section can be ignored.

A.1 HARDWARE

Table A-1 shows the difference between the M68EZ328ADS v1.x and v2.0.

Table A-1. Comparison of M68EZ328ADS v1.x and v2.0

Descriptions	Version 1.x	Version 2.0
Flash Memory	2M-byte Flash Memory using four AT29BV040	2M-byte Flash Memory using one MBM29LV160T (expandable to 4M-byte Flash Memory)
SRAM	256K-byte SRAM	No SRAM
EDO DRAM	4M-byte EDO DRAM using the \overline{WE} signal of MC68EZ328	8M-byte EDO DRAM using the \overline{DWE} signal of MC68EZ328
Touch Panel Interface	MAXIM MAX1249 and four transistors	Burr-Brown ADS7843E
Expansion Socket	Same pin assignment	Same pin assignment
LCD Connector	Same pin assignment	Same pin assignment
IrDA	No	HSDL-3201
Debug Port	ADI Port and MC68681 Serial Port with max. baud rate = 57600bps	ST16C2552A Serial Port with max. baud rate = 115200bps
Buzzer	No	Citizen CHB-03E
Bus Width	8-bit/16-bit	16-bit only

A.2 SOFTWARE

Table A-2 shows the software change in M68EZ328ADS v2.0.

Table A-2. Software Change for using M68EZ328ADS v2.0

Items	Descriptions
Initialization Code	The new ADS is equipped with different memory device. So, the initialization code needs to be changed.
Touch Panel Controller Device Driver	Burr-Brown ADS7843E is used. A new device driver is required.
\overline{DWE}	Pin 12 (\overline{DWE} /UCLK/PE3) of MC68EZ328 is programmed as \overline{DWE} signals for on-board EDO DRAM. It cannot be used as Port or UCLK again.
IrDA	The IrDA module needs to be enabled by setting PD4 to zero.

ARCHIVED BY FREESCALE SEMICONDUCTOR, INC. 2005

Freescale Semiconductor, Inc.

ARCHIVED BY FREESCALE SEMICONDUCTOR, INC. 2005

APPENDIX B RESISTIVE TOUCH PANEL OPERATION

ARCHIVED BY FREESCALE SEMICONDUCTOR, INC. 2005

M68VZ328ADS features pen input through a resistive-film sensing panel. This type of panel provides high flexibility by accepting input from any kind of stimulus including fingers, which is most suitable for portable use. User can select a specific touch panel or order an LCD module which includes a touch resistive panel. This section describes the basic concepts of pen input and the required interface with the M68VZ328ADS.

B.1 GENERAL CONCEPTS OF RESISTIVE PANELS

Basically, resistive panel consists of two transparent resistive layers separated by insulating spacers as shown in Figure 2-1.

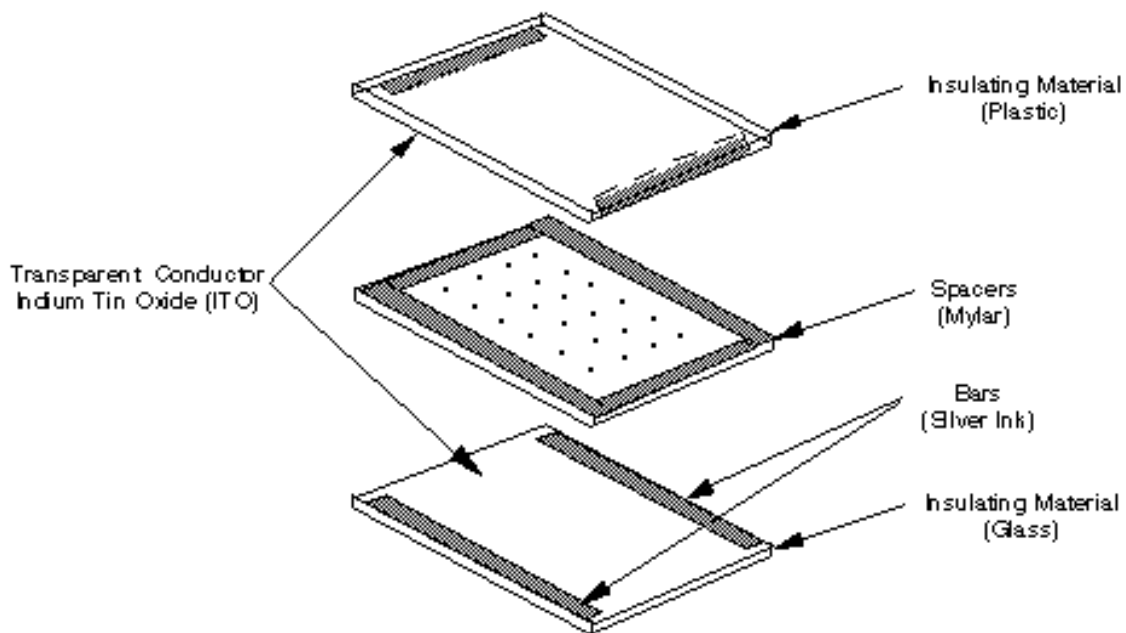


Figure 2-1. Resistive Touch Panel

Transparent Resistive Layer - resistive material such as an indium tin oxide (ITO) film is coated on dielectric (insulating) substrate, usually glass on bottom and plastic on top for actuation.

Bars - highly conductive material such as silver ink, about 1000 times more conductive than ITO.

Spacers - Non-conducting ink, adhesive, or other material such as Mylar is used to separate the two opposite conductive layers.

The resistive panel works by applying a voltage gradient across one conductive layer and measuring the voltage at the point of contact with the opposing conductive layer. For instance, as shown in Figure 2-2, the resistive film acts as a series of resistors.

ARCHIVED BY FREESCALE SEMICONDUCTOR, INC. 2005

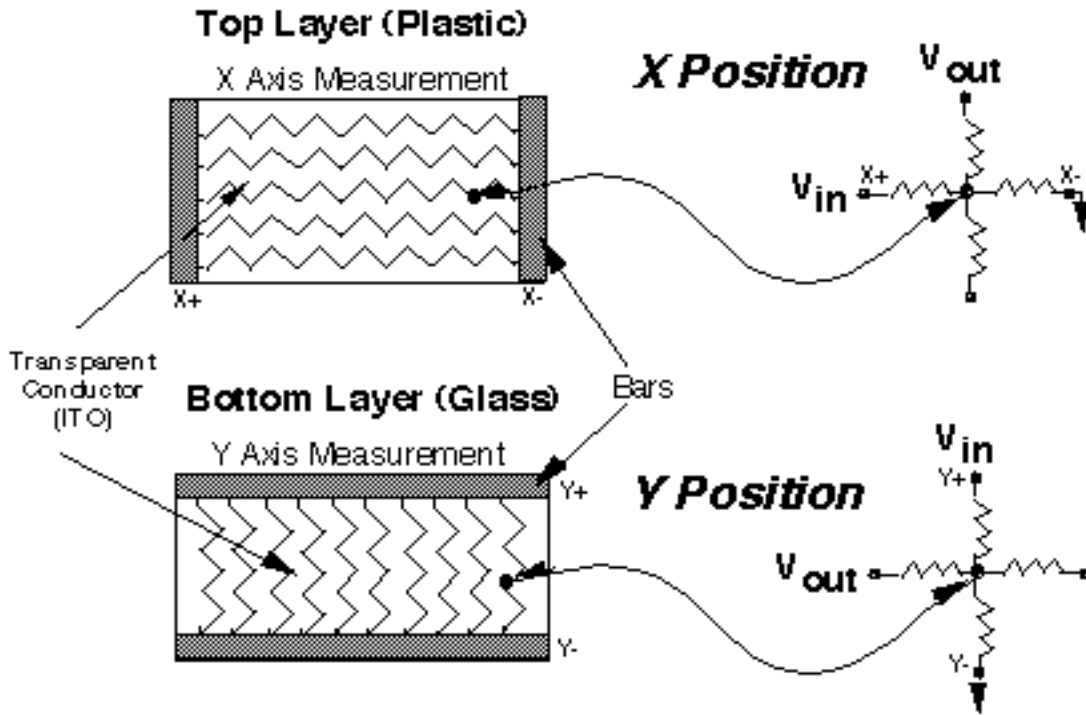


Figure 2-2. Determination of X,Y Position

When a point is contacted, it means the two opposing conductive layers come into electrical contact. The x position of actuation can be determined by measuring the output voltage of the y layer. At the same time, the y position can be find out by measuring the x layer. The exact position can be determined by referencing the output voltage to the distance relationship.

APPENDIX C PROGRAMMING ON-BOARD FLASH MEMORY

ARCHIVED BY FREESCALE SEMICONDUCTOR, INC. 2005

C.1 OVERVIEW

The Flash memory on the ADS board cannot be written directly. A special program command sequence is required to unlock it before starting the write process. A flash program is therefore provided with the ADS board for helping users to do re-programming. The sections below will describe the program and provide further information about the process and other required elements.

It is recommended that user should have a basic understanding of bootstrap mode operation of MC68EZ328 before reading the material below. For more details on Bootstrap mode, please refer to the MC68EZ328 user's manual.

C.2 ELEMENTS FOR PROGRAMMING THE FLASH

The following files are necessary for programming the Flash memory

1. EZTOOLS including BBUG.EXE and STOB.EXE
2. INIT.B - b-record for initializing the ADS
3. ERASE.B - b-record for erasing the flash memory
4. FLASHNML.B - b-record for programming flash. ROM image is copied from RAM area to the Flash memory area
5. ROM.B - ROM image of user program in b-record/s-record format.

C.3 METHOD

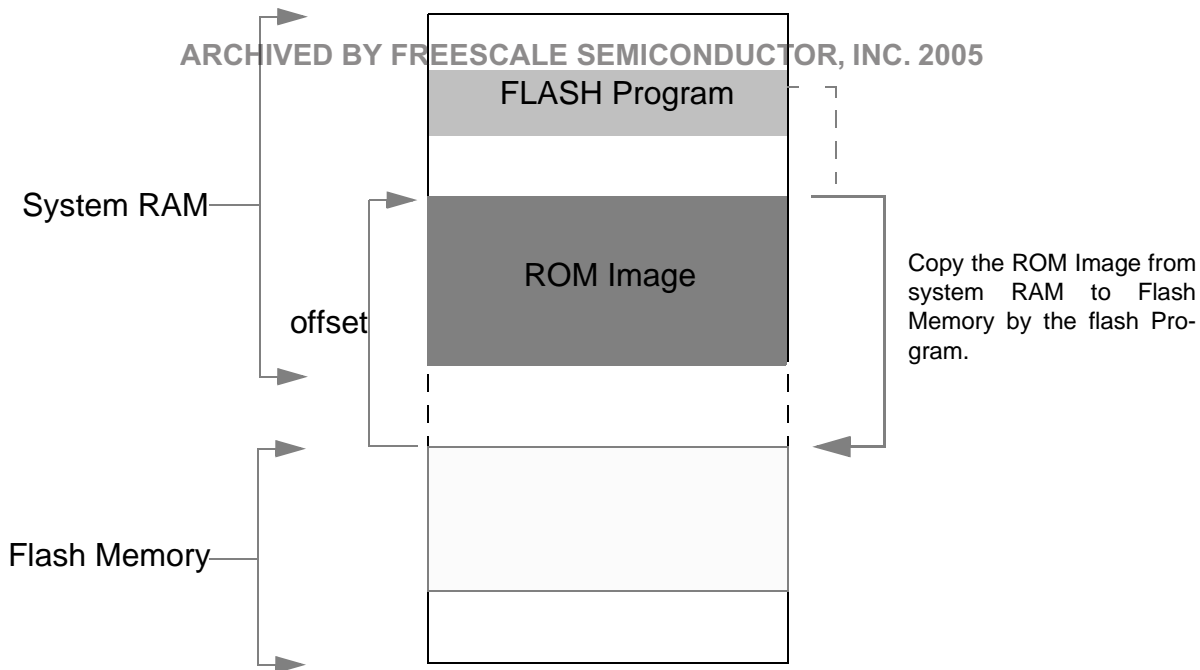


Figure C-1. Method of programming on-board Flash memory

Flash memory can be programmed in bootstrap mode. First, a ROM image and a flash program are downloaded to the system memory by loading their b-records. Then, run the flash program. It will execute the Flash program command sequence and copy the ROM image from the system RAM to the Flash memory. The detailed steps are as follows.

1. Force the MC68EZ328 into bootstrap mode by turning S2-8 on and pressing RESET switch once.
2. Use BBUG.EXE or TERMINAL program to communicate with the M68EZ328ADS through RS232 port of a PC.
3. Initialize the internal registers of DragonBall-VZ by loading the INIT.B.
4. Make sure the Flash Memory is blank. Load ERASE.B to erase the flash memory when needed.
5. Load FLASHNML.B (the Flash Program) and ROM.B (the ROM image) to system RAM (EDO DRAM on M68EZ328ADS).
6. Execute the Flash Program by using the execution B-record. For example, if the starting address of Flash Program is 0x4000, the execution B-record is then "0000400000".

C.4 OFFSET ADDRESS OF ROM IMAGE

Figure C-1 shows that the ROM image is first put to the system RAM before it is copied to Flash. In order to create S-record/B-record with download address different from its execution address, an OFFSET is sometimes required to be specified in downloading program.

For example, when using SDS's DOWN.EXE to generate the s-record, the "-w offset" parameter can be used to specify this offset value. Please refer to the SingleStep User Guide for using this command.

ARCHIVED BY FREESCALE SEMICONDUCTOR, INC. 2005

C.5 EXECUTING PROGRAM COMMAND SEQUENCE

Listed below is the source code of the flash Program which contains the necessary steps to write the flash memory MBM29LV160T. It executes the flash program command sequence and copies the ROM image from RAM area to the Flash memory area on ADS board. Figure C-2 shows the flow chart of this program. Different brands of Flash memory may have different program command sequences, please refer to their datasheets for more details.

```

                                XREF   STKTOP

OFFSET1      equ   $AAA
OFFSET2      equ   $554

TIME         equ   $FFF

*****
ECHO        MACRO   CHAR
            bsr     TXD_RDY
            nop
            nop
            nop
            move.b  #CHAR,$FFFFFF907
            ENDM

*****
ENABLE     MACRO
            move.w  #$00AA,(A5) ; Unlock Flash
            move.w  #$0055,(A6)
            move.w  #$00A0,(A5)
            ENDM

*****
            SECTION parameter
pSOURCE     DC.L   $00010000
pTARGET     DC.L   $01000000
pSIZE       DC.L   $00010000
pFLASH      DC.L   $01000000

pERROR      DC.L   $0
pFINISH     DC.L   $0
pERROR_ADDRESS DC.L $0
            DC.L   STKTOP

*****
            SECTION code
START
            MOVEA.L #STKTOP,a7 ;re-istall stack pointer in case bootstrap mode

            MOVE.L  #0,pERROR
            MOVE.L  #0,pFINISH
            move.l  #0,pERROR_ADDRESS

```

```

move.l pSOURCE,A0
move.l pTARGET,A1
move.l pSIZE,D0

```

```

move.l pFLASH,A5
move.l pFLASH,A6

```

* BreakPoint Here if program flash in SDS *

```

add.l #OFFSET1,A5
add.l #OFFSET2,A6

```

```

;*****
; Input Parameters:
; a0 - (Long) Source Address
; a1 - (Long) Target Address
; d0 - (Long) Byte Size
; a5 - (long) Flash Starting Address Offset1
; a6 - (long) Flash Starting Address Offset2
;*****

```

```

move.l a0,a2 ; a2 as source
move.l a1,a3 ; a3 as target

clr.l d1 ; clear d1 as counter
clr.b d5 ; clear d5 as ECHO counter

```

PROGRAM

```

ENABLE
move.w (a2),(a3) ; Copy source to target

```

POLLING

```

clr.l d4 ; clear d4 as polling counter

cmp.l #TIME,d4
bgt ERROR ; if d4>#TIME, bra ERROR
add.l #1,d4 ; d4++
move.w (a2),d2 ; Compare (a0),(a1)
move.w (a3),d3
cmp.w d2,d3
bne POLLING ; End of POLLING

```

```

add.l #2,a2
add.l #2,a3
add.l #2,d1

```

```

cmp.b #0,d5
bne NO_W
ECHO 'W'
ECHO 0

```

```

NO_W add.b #1,d5

```

```

cmp.l    d0,d1      ; if d1<=d0, bra PROGRAM
ble     PROGRAM

    ARCHIVED BY FREESCALE SEMICONDUCTOR, INC. 2005
;*****
; Input Parameters:
;   a0 - (Long) Source Address
;   a1 - (Long) Target Address
;   d0 - (Long) Byte Size
;   a5 - (long) Flash Starting Address Offset 1
;   a6 - (long) Flash Starting Address Offset 2
;*****
move.l   a0,a2      ;a2 & a3 are used to store the starting address
move.l   a1,a3      ;for comparing.

clr.b    d5         ;clear d5 as ECHO counter
clr.l    d1         ;clear d1 as counter
VERIFY
cmp.b    #0,d5
bne     NO_V
ECHO    'V'
ECHO    0
NO_V    add.b    #1,d5

move.w   (a2)+,d2
move.w   (a3)+,d3
cmp.w    d2,d3
bne     ERROR

add.l    #2,d1

cmp.l    d0,d1      ; if d1<=d0, bra CHECK
ble     VERIFY

bra     FINISH

*****

TXD_RDY
move.l   d7,-(a7)   ; Push d7
POLLTXD
btst.b   #5,$FFFFFF906
beq.s    POLLTXD   ; bra if TXAVAIL not SET
move.w   #$0FFF,d7
LP_RDY  sub.w    #1,d7
bne.b    LP_RDY
move.l   (a7)+,d7   ; Restore d7
rts

*****

FINISH
ECHO    '\n'
ECHO    'P'
ECHO    'A'

```

```
ECHO 'S'
ECHO 'S'
ECHO '\n'
ECHO 0
ECHO 0
ECHO 0
ECHO 0
ECHO 0
ECHO 0
ECHO 0
move.l #1,pFINISH
bra BOOTSTRAP
```

ARCHIVED BY FREESCALE SEMICONDUCTOR, INC. 2005

ERROR

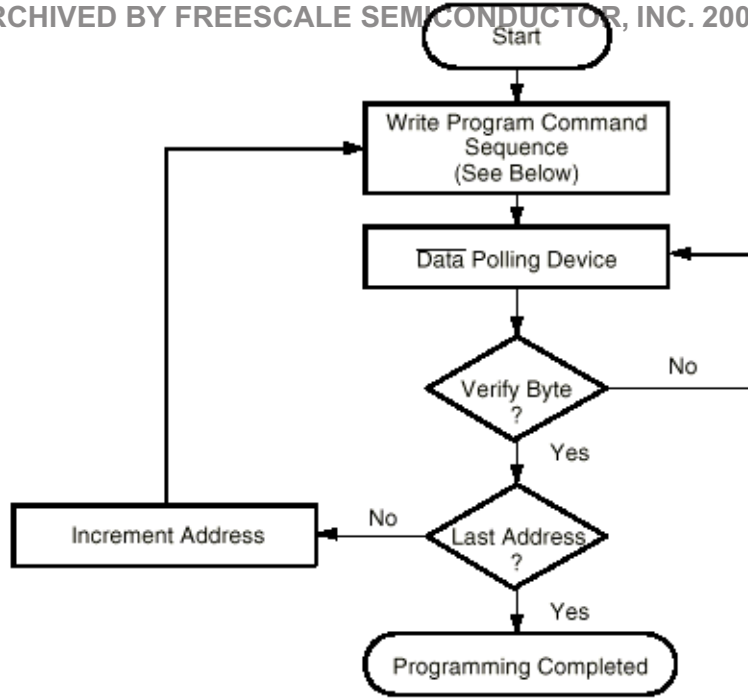
```
ECHO '\n'
ECHO 'E'
ECHO 'R'
ECHO 'R'
ECHO 'O'
ECHO 'R'
ECHO '\n'
ECHO 0
ECHO 0
ECHO 0
ECHO 0
ECHO 0
ECHO 0
sub.l #1,a3
move.l a3,pERROR_ADDRESS
move.l #1,pERROR
bra BOOTSTRAP
```

BOOTSTRAP

```
jmp $FFFFFF44
```

END

ARCHIVED BY FREESCALE SEMICONDUCTOR, INC. 2005



Program Command Sequence* (Address/Command):

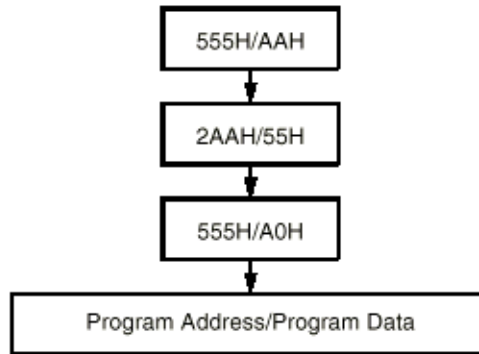


Figure C-2. Flash Program Algorithm

ARCHIVED BY FREESCALE SEMICONDUCTOR, INC. 2005

Freescale Semiconductor, Inc.

ARCHIVED BY FREESCALE SEMICONDUCTOR, INC. 2005

APPENDIX D MONITOR INITIALIZATION CODE

ARCHIVED BY FREESCALE SEMICONDUCTOR, INC. 2005

D.1 INITIALIZATION CODE OF METROWERKS MONITOR (RESET.S)

```

MON_STACKTOP.equ$4100;  Above is TOO low, try this

M328BASE      .equ  $FFFFFF00

; SIM28 System Configuration Registers
SCR           .equ   (M328BASE+$000)

; Chip Select Registers
GRPBASEA     .equ   (M328BASE+$100)
GRPBASEB     .equ   (M328BASE+$102)
GRPBASEC     .equ   (M328BASE+$104)
GRPBASED     .equ   (M328BASE+$106)
CSA          .equ   (M328BASE+$110)
CSB          .equ   (M328BASE+$112)
CSC          .equ   (M328BASE+$114)
CSD          .equ   (M328BASE+$116)
DRAMCFG      .equ   (M328BASE+$C00)
DRAMCTL      .equ   (M328BASE+$C02)
EMUCS        .equ   (M328BASE+$118)
CSCTR        .equ   (M328BASE+$150)

; PLL Registers
PLLCR        .equ   (M328BASE+$200) ; Control Reg
PLLFSR       .equ   (M328BASE+$202) ; Freq Select Reg
PLLTSR       .equ   (M328BASE+$204) ; Test Reg

; Power Control Registers
PCTLR        .equ   (M328BASE+$206) ; Control Reg

; Interrupt Registers
IVR          .equ   (M328BASE+$300) ; Interrupt Vector Reg
ICR          .equ   (M328BASE+$302) ; Interrupt Control Reg
IMR          .equ   (M328BASE+$304) ; Interrupt Mask Reg
ISR          .equ   (M328BASE+$30C) ; Interrupt Status Reg
IPR          .equ   (M328BASE+$310) ; Interrupt Pending Reg

; PIO Registers
; Port A Registers
PADIR        .equ   (M328BASE+$400) ; Direction Reg
PADATA       .equ   (M328BASE+$401) ; Data Reg
PAPUEN       .equ   (M328BASE+$402) ; Pullup Enable Reg
; Port B Registers
PBDIR        .equ   (M328BASE+$408) ; Direction Reg
PBDATA       .equ   (M328BASE+$409) ; Data Reg
PBPUEEN      .equ   (M328BASE+$40A) ; Pullup Enable Reg
PBSEL        .equ   (M328BASE+$40B) ; Select Reg
; Port C Registers
PCDIR        .equ   (M328BASE+$410) ; Direction Reg
PCDATA       .equ   (M328BASE+$411) ; Data Reg

```

```

PCPDEN      .equ      (M328BASE+$412) ; Pull-down Enable Reg
PCSEL       .equ      (M328BASE+$413) ; Select Reg
                ; Port D Registers
PDDIR       .equ      (M328BASE+$418) ; Direction Reg
PDDATA      .equ      (M328BASE+$419) ; Data Reg
PDPUEN      .equ      (M328BASE+$41A) ; Pullup Enable Reg
PDSEL       .equ      (M328BASE+$41B) ; port D select
PDPOL       .equ      (M328BASE+$41C) ; Polarity Reg
PDIRQEN     .equ      (M328BASE+$41D) ; IRQ Enable Reg
PDIRQEDGE   .equ      (M328BASE+$41F) ; IRQ Edge Reg
                ; Port E Registers
PEDIR       .equ      (M328BASE+$420) ; Direction Reg
PEDATA      .equ      (M328BASE+$421) ; Data Reg
PEPUEN      .equ      (M328BASE+$422) ; Pullup Enable Reg
PESEL       .equ      (M328BASE+$423) ; Select Reg
                ; Port F Registers
PFDIR       .equ      (M328BASE+$428) ; Direction Reg
PFDATA      .equ      (M328BASE+$429) ; Data Reg
PFPUEN      .equ      (M328BASE+$42A) ; Pullup Enable Reg
PFSEL       .equ      (M328BASE+$42B) ; Select Reg
                ; Port G Registers
PGDIR       .equ      (M328BASE+$430) ; Direction Reg
PGDATA      .equ      (M328BASE+$431) ; Data Reg
PGPUEN      .equ      (M328BASE+$432) ; Pullup Enable Reg
PGSEL       .equ      (M328BASE+$433) ; Select Reg

; PWM Registers
PWMC        .equ      (M328BASE+$500) ; Control Reg
PWMS        .equ      (M328BASE+$502) ; Sample Reg
PWCNT       .equ      (M328BASE+$504) ; Count Reg

; Timer Registers
                ; Timer 1 Registers
TCTL        .equ      (M328BASE+$600) ; Control Reg
TPREPR      .equ      (M328BASE+$602) ; Prescalar Reg
TCMP        .equ      (M328BASE+$604) ; Compare Reg
TCR         .equ      (M328BASE+$606) ; Capture Reg
TCN         .equ      (M328BASE+$608) ; Counter
TSTAT       .equ      (M328BASE+$60A) ; Status Reg

; SPI Registers
SPIMDATA    .equ      (M328BASE+$800) ; Control/Status Reg
SPIMCONT    .equ      (M328BASE+$802) ; Data Reg

; UART Registers
USTCNT      .equ      (M328BASE+$900) ; Status Control Reg
UBAUD       .equ      (M328BASE+$902) ; Baud Control Reg
UARTRX      .equ      (M328BASE+$904) ; Rx Reg
UARTTX      .equ      (M328BASE+$906) ; Tx Reg
UARTMISC    .equ      (M328BASE+$908) ; Misc Reg
UARTNIPR    .equ      (M328BASE+$90A) ; None-Integer Prscaler reg

; LCDC Registers
LSSA        .equ      (M328BASE+$A00) ; Screen Start Addr Reg
LVPW        .equ      (M328BASE+$A05) ; Virtual Page Width Reg

```

ARCHIVED BY FREESCALE SEMICONDUCTOR, INC. 2005

Freescale Semiconductor, Inc.

ARCHIVED BY FREESCALE SEMICONDUCTOR, INC. 2005

```

LXMAX      .equ      (M328BASE+$A08) ; Screen Width Reg
LYMAX      .equ      (M328BASE+$A0A) ; Screen Height Reg
LCXP       .equ      (M328BASE+$A18) ; Cursor X Position
LCYP       .equ      (M328BASE+$A1A) ; Cursor Y Position
LCWCH      .equ      (M328BASE+$A1C) ; Cursor Width & Height Reg
LBLKC      .equ      (M328BASE+$A1F) ; Blink Control Reg
LPICF      .equ      (M328BASE+$A20) ; Panel Interface Config Reg
LPOLCF     .equ      (M328BASE+$A21) ; Polarity Config Reg
LACDRC     .equ      (M328BASE+$A23) ; ACD (M) Rate Control Reg
LPXCD      .equ      (M328BASE+$A25) ; Pixel Clock Divider Reg
LCKCON     .equ      (M328BASE+$A27) ; Clocking Control Reg
LRRR       .equ      (M328BASE+$A29) ; Refresh Rate Adjust reg
LPOSR      .equ      (M328BASE+$A2D) ; Panning Offset Reg
LFRCM      .equ      (M328BASE+$A31) ; Frame Rate Control Mod Reg
LGPMR      .equ      (M328BASE+$A33) ; Gray Palette Mapping Reg
LPWM       .equ      (M328BASE+$A36) ; contrast control Reg
    
```

; RTC Registers

```

RTCHMSR    .equ      (M328BASE+$B00) ; Hrs Mins Secs Reg
RTCALMOR   .equ      (M328BASE+$B04) ; Alarm Register
RTCDAY     .equ      (M328BASE+$B08) ; RTC date reg
RTCWD      .equ      (M328BASE+$B0A) ; RTC watch dog timer reg
RTCCTL     .equ      (M328BASE+$B0C) ; Control Reg
RTCISR     .equ      (M328BASE+$B0E) ; Interrupt Status Reg
RTCIENR    .equ      (M328BASE+$B10) ; Interrupt Enable Reg
RSTPWCH    .equ      (M328BASE+$B12) ; Stopwatch Minutes
    
```

; ICEM registers

```

ICEMACR    .equ      (M328BASE+$D00)
ICEMAMR    .equ      (M328BASE+$D04)
ICEMCCR    .equ      (M328BASE+$D08)
ICEMCMR    .equ      (M328BASE+$D0A)
ICEMCR     .equ      (M328BASE+$D0C)
ICEMSR     .equ      (M328BASE+$D0E)
    
```

```

*****
*          RESET OPTIONS
*****
    
```

```

.section .reset
rom_base:
;-- SECTIONrom_reset - SP, start addr & space for Exception Vectors

.DC.LMON_STACKTOP; stack pointer
.DC.Lrom_start    ; program counter

.org0x10          ; int7 handler (in EMU mode) goes here
.externemu_lv17_handler
jmp    emu_lv17_handler

.org0x20          ; initial code starts at offset 0x20

;-- SECTIONrom_code
    
```

```

        .global __reset
__reset:
rom_start:
        ARCHIVED BY FREESCALE SEMICONDUCTOR, INC. 2005
        move.b  #$9,PGSEL           ; config PG0/DTACK to GPI/O,input
        move.w  #$2410,PLLCCR       ; sysclk = VCO/1, enable clk0
        move.l  #MON_STACKTOP,A7   ; Install stack pointer
        move.w  #$2700,sr           ; mask off all interrupts
        move.b  #$1C,SCR           ; enable bus error timeout bit
        move.w  #0,RTCWD           ; disable watch dog
        move.b  #$03,PFSEL         ; select A23-A20, CLK0, CSA1
        move.b  #$00,PBSEL         ; Config port B for chip select A,B,C and D
        move.b  #$00,PESEL         ; select *DWE
        move.w  #$08,ICEMCR        ; disable ICEM vector hardmap
        move.w  #$07,ICEMSR        ; clear level 7 interrupt

;*****
; Init Code for 512Kx16 Flash
;*****
        move.w  #$0400,GRPBASEA     ; GROUPA BASE(FLASH), Start address=0x800000
        move.w  #$0189,CSA         ; 2MB each, 0ws, FLASH,

;*****
; Init Code 4Mx16 (12/10) EDO DRAM
;*****
        move.w  #$8F00,DRAMCFG      ; DRAM Memory Config Register
                                   ; Col Address = PA1-PA10; Row Address = PA11-PA22
        move.w  #$9667,DRAMCTL     ; DRAM Control Register, 0ws
        move.w  #$0000,GRPBASED    ; GROUPA BASE(DRAM),
                                   ;Start address=0x000000-0x7FFFFFFF
        move.w  #$069F,CSD         ; enable DRAM cs

;*****
; Init Code for EMUCS
;*****
        move.w  #$30,EMUCS         ; 3ws

        clr.l   d0
        clr.l   d1
        clr.l   d2
        clr.l   d3
        clr.l   d4
        clr.l   d5
        clr.l   d6
        clr.l   d7

;*****
;
; LCD Temp init for screen protection
;
;*****

        move.b  #0,PCSEL
        move.b  #0,PCPDEN
    
```

Freescale Semiconductor, Inc.

ARCHIVED BY FREESCALE SEMICONDUCTOR, INC. 2005

```

move.l    #$4000,LSSA
move.w    #160,LXMAX
move.w    #239,LYMAX
move.b    #10,LVFW
move.b    #$08,LPICF
move.b    #$01,LPOLCF
move.b    #$00,LACDRC
move.b    #$02,LPXCD
move.b    #$14,LRRA
move.b    #$00,LPOSR
move.b    #$00,LCKCON          ; disable LCDC
move.b    #$80,LCKCON          ; enable LCDC, 0ws, 16-bit

```

```

;*****
; Interrupt controller
;*****

```

```

move.b    #$40,IVR
move.l    #$007ffffff,IMR; mask all interrupts except *EMUIRQ,
                                     ; since it is used for the abort
button
                                     ; on this board

.extern __start
JMP __start ; jump to MW startup code

```

D.2 INITIALIZATION CODE OF SDS MONITOR (MONITOR.H)

```

.option list="off"
*****
*      EZ328EMU.H - Configuration file for Motorola's M68EZ328ADS
*****

*****
*      CPU OPTIONS
*****

opt      p=68000

M328BASE equ $FFFFFF00

; SIM28 System Configuration Registers
SCR      equ      (M328BASE+$000)

; Chip Select Registers
GRPBASEA equ      (M328BASE+$100)
GRPBASEB equ      (M328BASE+$102)
GRPBASEC equ      (M328BASE+$104)
GRPBASED equ      (M328BASE+$106)
CSA      equ      (M328BASE+$110)
CSB      equ      (M328BASE+$112)
CSC      equ      (M328BASE+$114)
CSD      equ      (M328BASE+$116)
DRAMCFG  equ      (M328BASE+$C00)

```

```

DRAMCTL      equ      (M328BASE+$C02)
EMUCS        equ      (M328BASE+$118)
CSCTR        equ      (M328BASE+$150)
    
```

ARCHIVED BY FREESCALE SEMICONDUCTOR, INC. 2005

; PLL Registers

```

PLLCCR       equ      (M328BASE+$200) ; Control Reg
PLLFSR       equ      (M328BASE+$202) ; Freq Select Reg
PLLTRS       equ      (M328BASE+$204) ; Test Reg
    
```

; Power Control Registers

```

PCTLR        equ      (M328BASE+$206) ; Control Reg
    
```

; Interrupt Registers

```

IVR           equ      (M328BASE+$300) ; Interrupt Vector Reg
ICR           equ      (M328BASE+$302) ; Interrupt Control Reg
IMR           equ      (M328BASE+$304) ; Interrupt Mask Reg
ISR           equ      (M328BASE+$30C) ; Interrupt Status Reg
IPR           equ      (M328BASE+$310) ; Interrupt Pending Reg
    
```

; PIO Registers

; Port A Registers

```

PADIR        equ      (M328BASE+$400) ; Direction Reg
PADATA       equ      (M328BASE+$401) ; Data Reg
PAPUEN       equ      (M328BASE+$402) ; Pullup Enable Reg
    
```

; Port B Registers

```

PBDIR        equ      (M328BASE+$408) ; Direction Reg
PBDATA       equ      (M328BASE+$409) ; Data Reg
PBPUEEN      equ      (M328BASE+$40A) ; Pullup Enable Reg
PBSEL        equ      (M328BASE+$40B) ; Select Reg
    
```

; Port C Registers

```

PCDIR        equ      (M328BASE+$410) ; Direction Reg
PCDATA       equ      (M328BASE+$411) ; Data Reg
PCPDEN       equ      (M328BASE+$412) ; Pull-down Enable Reg
PCSEL        equ      (M328BASE+$413) ; Select Reg
    
```

; Port D Registers

```

PDDIR        equ      (M328BASE+$418) ; Direction Reg
PDDATA       equ      (M328BASE+$419) ; Data Reg
PDPUEEN      equ      (M328BASE+$41A) ; Pullup Enable Reg
PDSEL        equ      (M328BASE+$41B) ; port D select
PDPOL        equ      (M328BASE+$41C) ; Polarity Reg
PDIRQEN      equ      (M328BASE+$41D) ; IRQ Enable Reg
PDIRQEDGE    equ      (M328BASE+$41F) ; IRQ Edge Reg
    
```

; Port E Registers

```

PEDIR        equ      (M328BASE+$420) ; Direction Reg
PEDATA       equ      (M328BASE+$421) ; Data Reg
PEPUEN       equ      (M328BASE+$422) ; Pullup Enable Reg
PESEL        equ      (M328BASE+$423) ; Select Reg
    
```

; Port F Registers

```

PFDIR        equ      (M328BASE+$428) ; Direction Reg
PFDATA       equ      (M328BASE+$429) ; Data Reg
PFPUEN       equ      (M328BASE+$42A) ; Pullup Enable Reg
PFSEL        equ      (M328BASE+$42B) ; Select Reg
    
```

; Port G Registers

```

PGDIR        equ      (M328BASE+$430) ; Direction Reg
PGDATA       equ      (M328BASE+$431) ; Data Reg
    
```

PGPUEN equ (M328BASE+\$432) ; Pullup Enable Reg
 PGSEL equ (M328BASE+\$433) ; Select Reg

; PWM Registers

PWMC equ (M328BASE+\$500) ; Control Reg
 PWMS equ (M328BASE+\$502) ; Sample Reg
 PWMCNT equ (M328BASE+\$504) ; Count Reg

; Timer Registers

TCTL equ (M328BASE+\$600) ; Control Reg
 TPRER equ (M328BASE+\$602) ; Prescaler Reg
 TCMP equ (M328BASE+\$604) ; Compare Reg
 TCR equ (M328BASE+\$606) ; Capture Reg
 TCN equ (M328BASE+\$608) ; Counter
 TSTAT equ (M328BASE+\$60A) ; Status Reg

; Timer 1 Registers

; SPI Registers

SPIMDATA equ (M328BASE+\$800) ; Control/Status Reg
 SPIMCONT equ (M328BASE+\$802) ; Data Reg

; UART Registers

USTCNT equ (M328BASE+\$900) ; Status Control Reg
 UBAUD equ (M328BASE+\$902) ; Baud Control Reg
 UARTRX equ (M328BASE+\$904) ; Rx Reg
 UARTTX equ (M328BASE+\$906) ; Tx Reg
 UARTMISC equ (M328BASE+\$908) ; Misc Reg
 UARTNIPR equ (M328BASE+\$90A) ; None-Integer Prscaler reg

; LCDC Registers

LSSA equ (M328BASE+\$A00) ; Screen Start Addr Reg
 LVPW equ (M328BASE+\$A05) ; Virtual Page Width Reg
 LXMAX equ (M328BASE+\$A08) ; Screen Width Reg
 LYMAX equ (M328BASE+\$A0A) ; Screen Height Reg
 LCXP equ (M328BASE+\$A18) ; Cursor X Position
 LCYP equ (M328BASE+\$A1A) ; Cursor Y Position
 LCWCH equ (M328BASE+\$A1C) ; Cursor Width & Height Reg
 LBLKC equ (M328BASE+\$A1F) ; Blink Control Reg
 LPICF equ (M328BASE+\$A20) ; Panel Interface Config Reg
 LPOLCF equ (M328BASE+\$A21) ; Polarity Config Reg
 LACDRG equ (M328BASE+\$A23) ; ACD (M) Rate Control Reg
 LPXCD equ (M328BASE+\$A25) ; Pixel Clock Divider Reg
 LCKCON equ (M328BASE+\$A27) ; Clocking Control Reg
 LRRR equ (M328BASE+\$A29) ; Refresh Rate Adjust reg
 LPOSR equ (M328BASE+\$A2D) ; Panning Offset Reg
 LFRCM equ (M328BASE+\$A31) ; Frame Rate Control Mod Reg
 LGPMR equ (M328BASE+\$A33) ; Gray Palette Mapping Reg
 LPWM equ (M328BASE+\$A36) ; contrast control Reg

; RTC Registers

RTCHMSR equ (M328BASE+\$B00) ; Hrs Mins Secs Reg
 RTCALMOR equ (M328BASE+\$B04) ; Alarm Register
 RTCDAY equ (M328BASE+\$B08) ; RTC date reg
 RTCWD equ (M328BASE+\$B0A) ; RTC watch dog timer reg
 RTCCTL equ (M328BASE+\$B0C) ; Control Reg

ARCHIVED BY FREESCALE SEMICONDUCTOR, INC. 2005


```

RTCISR      equ      (M328BASE+$B0E) ; Interrupt Status Reg
RTCIENR     equ      (M328BASE+$B10) ; Interrupt Enable Reg
RSTPWCH     equ      (M328BASE+$B12) ; Stopwatch Minutes
    
```

ARCHIVED BY FREESCALE SEMICONDUCTOR, INC. 2005

;ICEM registers

```

ICEMACR     equ      (M328BASE+$D00)
ICEMAMR     equ      (M328BASE+$D04)
ICEMCCR     equ      (M328BASE+$D08)
ICEMCMR     equ      (M328BASE+$D0A)
ICEMCR      equ      (M328BASE+$D0C)
ICEMSR      equ      (M328BASE+$D0E)
    
```

```

*****
*           ADDRESSING OPTIONS
*****
    
```

```

;INTERVAL:   equ      2
INTERVAL:    equ      1
    
```

```

*****
*           I/O DEVICE OPTIONS
*****
    
```

```

*   WARNING: This file redefines _usr_gchar bypassing the BSP   *
*****
    
```

```

*****
* Setting for ST16C2552
*****
    
```

```

#define DEV_IN  ST16C2552
#define DEV_OUT ST16C2552
BASE_IN:        equ      $FFFD0000      ; base address
BASE_OUT:       equ      $FFFD0000      ; base address
BAUD_IN:        equ      576            ; baud rates = BAUD_IN/100 bps
BAUD_OUT:       equ      576            ; baud rates = BAUD_OUT/100 bps
    
```

```

*****
* Setting for EZ-UART
*****
    
```

```

;#define DEV_IN  EZUART
;#define DEV_OUT EZUART
;BASE_IN:        equ      $fffd8000     ; base address not applicable
;BASE_OUT:       equ      $fffd8000     ; base address not applicable
;BAUD_IN:        equ      1152          ; baud rates = 115200 bps
;BAUD_OUT:       equ      1152          ; baud rates = 115200 bps
    
```

```

*****
* Setting for ADI PORT on EZ-ADS
*****
    
```

```

;#define DEV_IN  ADIPOINT
;#define DEV_OUT ADIPOINT
;BASE_IN:        equ      $fffd8000     ; base address of input device
;BASE_OUT:       equ      $fffd8000     ; base address of output device
;BAUD_IN:        equ      0             ; baud rates not applicable
;BAUD_OUT:       equ      0             ; baud rates not applicable
    
```

```

*****
    
```



```

    move.w  #$7,ICEMSR          ; clear level 7 interrupt
    or.w   #$FF80,ISR
    endm                          ; return non-zero in D0 if ABORT

    ARCHIVED BY FREESCALE SEMICONDUCTOR, INC. 2005
INT_DOG:      macro
    endm

; *****
; Macros for use at application startup (EXEC)
; and stop (DONE). Normally these are empty.
; *****

USR_EXEC:     macro
    endm

USR_DONE:     macro
    endm

*****
*      RESET OPTIONS
*****

; *****
; Contents of the "usr_reset" section. In the usual
; case, this is two longwords long, with the first word
; containing the value with which the processor
; loads up its stack pointer, and the second of
; which is the value with which the processor
; loads up its program counter. This will bring up
; the monitor on a hardware reset.
; *****

USR_RESET:    macro
    dc.l    MON_STACKTOP          ; stack pointer (default)
    dc.l    reset$$$             ; program counter (default)
    dcb.l   6,0
    endm

; *****
; Hard reset macro - contains very high priority
; instructions which must be executed immediately
; upon a hardware reset.
; *****

RESET_HARD:   macro
    move.b  #$9,PGSEL             ; config PG0/DTACK to GPI/O,input
    move.w  #$2410,PLLCCR        ; sysclk = VCO/1, enable clko
    move.l  #MON_STACKTOP,A7     ; Install stack pointer
    move.w  #$2700,sr            ; mask off all interrupts
    move.b  #$1C,SCR             ; enable bus error timeout bit
    move.w  #0,RTCWD             ; disable watch dog
    move.b  #$03,PFSEL           ; select A23-A20, CLK0, CSA1
    move.b  #$00,PBSEL           ; Config port B for chip select A,B,C and D
    move.b  #$00,PESEL           ; select *DWE
    move.w  #$08,ICEMCR          ; disable ICEM vector hardmap

```

```

    move.w    #$07,ICEMSR          ; clear level 7 interrupt

;*****
; Init Code for 512Kx16 Flash
;*****
    move.w    #$0400,GRPBASEA      ; GROUPA BASE(FLASH), Start address=0x800000
    move.w    #$0189,CSA          ; 2MB each, 0ws, FLASH,

;*****
; Init Code 4Mx16 (12/10) EDO DRAM
;*****
    move.w    #$8F00,DRAMCFG       ; DRAM Memory Config Register
                                   ; Col Address = PA1-PA10; Row Address = PA11-PA22
    move.w    #$9667,DRAMCTL       ; DRAM Control Register, 0ws
    move.w    #$0000,GRPBASED      ; GROUPA BASE(DRAM), Start address=0x000000-
    0x7FFFFFFF
    move.w    #$069F,CSD          ; enable DRAM cs

;*****
; Init Code for EMUCS
;*****
    move.w    #$30,EMUCS          ; 3ws

    clr.l     d0
    clr.l     d1
    clr.l     d2
    clr.l     d3
    clr.l     d4
    clr.l     d5
    clr.l     d6
    clr.l     d7

;*****
;
; LCD Temp init for screen protection
;
;*****

    move.b    #0,PCSEL
    move.b    #0,PCPDEN

    move.l    #$4000,LSSA
    move.w    #160,LXMAX
    move.w    #239,LYMAX
    move.b    #10,LVPW
    move.b    #$08,LPICF
    move.b    #$01,LPOLCF
    move.b    #$00,LACDRC
    move.b    #$02,LPXCD
    move.b    #$14,LRRA
    move.b    #$00,LPOSR
    move.b    #$00,LCKCON          ; disable LCDC
    move.b    #$80,LCKCON          ; enable LCDC, 0ws, 16-bit

;*****

```

```

;
; Initialize I/O to avoid contention
;
;*****
;
;       TBD since the contention does not affect ADS operation

;*****
;
; Program Interrupt Controller
;
;*****

    move.b #$40,IVR
    move.l #$007FFFFFF,IMR           ;enable NMI interrupt

endm

; *****
; Soft reset macro - contains instructions
; which must be executed upon a processor reset.
; *****
RESET_SOFT:    macro

                ; *****
                ; * Setting for MC68681
                ; *****
                .if "\{DEV_IN\}"=="MC68681"
MC68681ctur    equ (BASE_IN+OFF6)
MC68681ctlr    equ (BASE_IN+OFF7)
                move.b #IRQ_MASK,MC68681imr ;set value of IMR
                move.b #ACR_VAL,MC68681acr  ;set value of ACR
                ; Setting for baudrates = 57600bps
                move.b #00,MC68681ctur
                move.b #02,MC68681ctlr ; divider=2
                .endif

                endm

*****
*       OTHER DEFINITIONS
*****

USER_DEFS:    macro

                ; *****
                ; * Setting for MC68681
                ; *****
                .if "\{DEV_IN\}"=="MC68681"
xdef  MC68681acr
xdef  MC68681imr

                SECTION    usr_ram
MC68681acr: ds.b 1 ;ACR register

```

```
MC68681imr: ds.b 1 ;IMR register  
.endif
```

endm
ARCHIVED BY FREESCALE SEMICONDUCTOR, INC. 2005

ARCHIVED BY FREESCALE SEMICONDUCTOR, INC. 2005

Freescale Semiconductor, Inc.

ARCHIVED BY FREESCALE SEMICONDUCTOR, INC. 2005

APPENDIX E SCHEMATICS

ARCHIVED BY FREESCALE SEMICONDUCTOR, INC. 2005

E.1 M68EZ328ADS V2.0

ARCHIVED BY FREESCALE SEMICONDUCTOR, INC. 2005

Motorola Semiconductors Hong Kong Ltd.

2 Dai King St, Tai Po Ind Est, Tai Po, NT, Hong Kong.

Schematic: **M68EZ328ADS**

Version: **2.0**

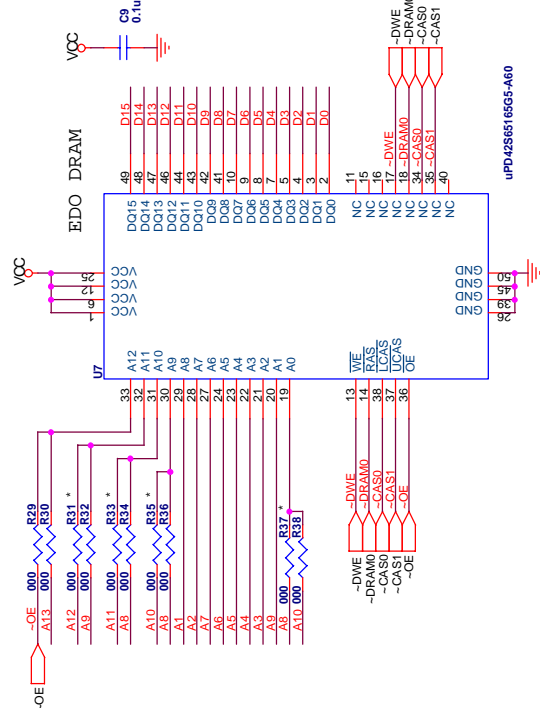
File Name: EZADS20.DSN

Last Updated: Teddy Wong on 5 Nov, 1999

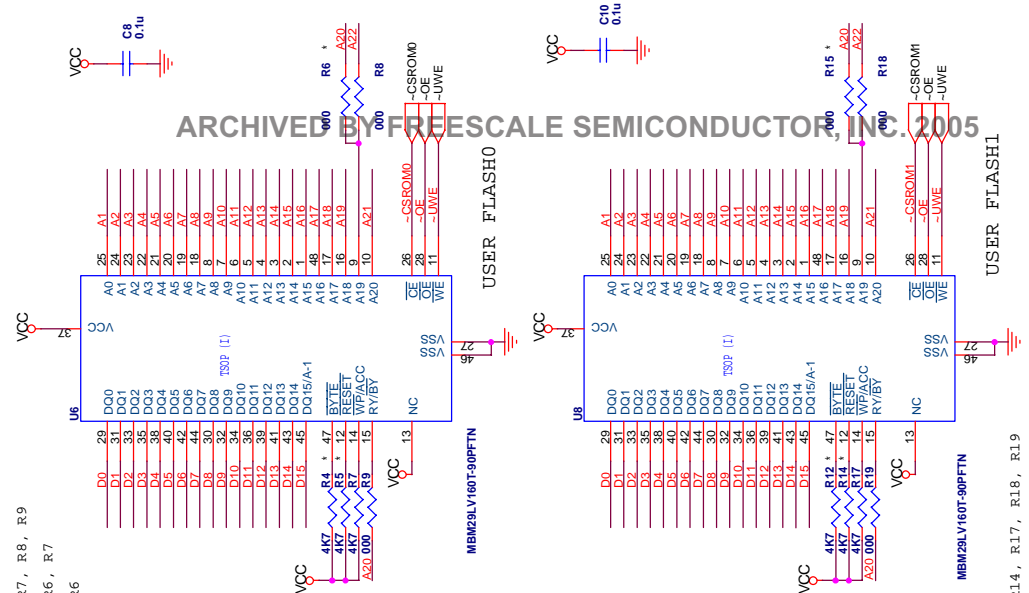
**For More Information On This Product,
Go to: www.freescale.com**

Memory

Am29LV640DU/Am29LV641DU INSTALL R4, R5, R7, R6, R9
Am29DL322C/Am29DL323C INSTALL R4, R5, R6, R7
DEFAULT Am29LV160B/MBM29LV160 INSTALL R4, R5, R6
Am29LV800B INSTALL R4, R5



1M X 16 10/10 INSTALL (R29, R32, R34, R35)
1M X 16 12/8 INSTALL (R29, R31, R33, R36, R38)
4M X 16 12/10 INSTALL (R31, R33, R35, R37)
4M X 16 13/9 INSTALL (R30, R31, R33, R35, R37)

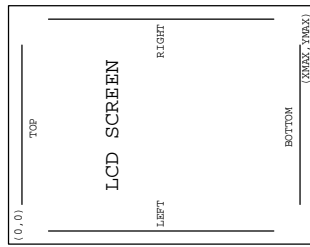


Am29LV640DU/Am29LV641DU INSTALL R12, R14, R17, R18, R19
Am29DL322C/Am29DL323C INSTALL R12, R14, R15, R17
DEFAULT Am29LV160B/MBM29LV160 INSTALL R12, R14, R15
Am29LV800B INSTALL R12, R14

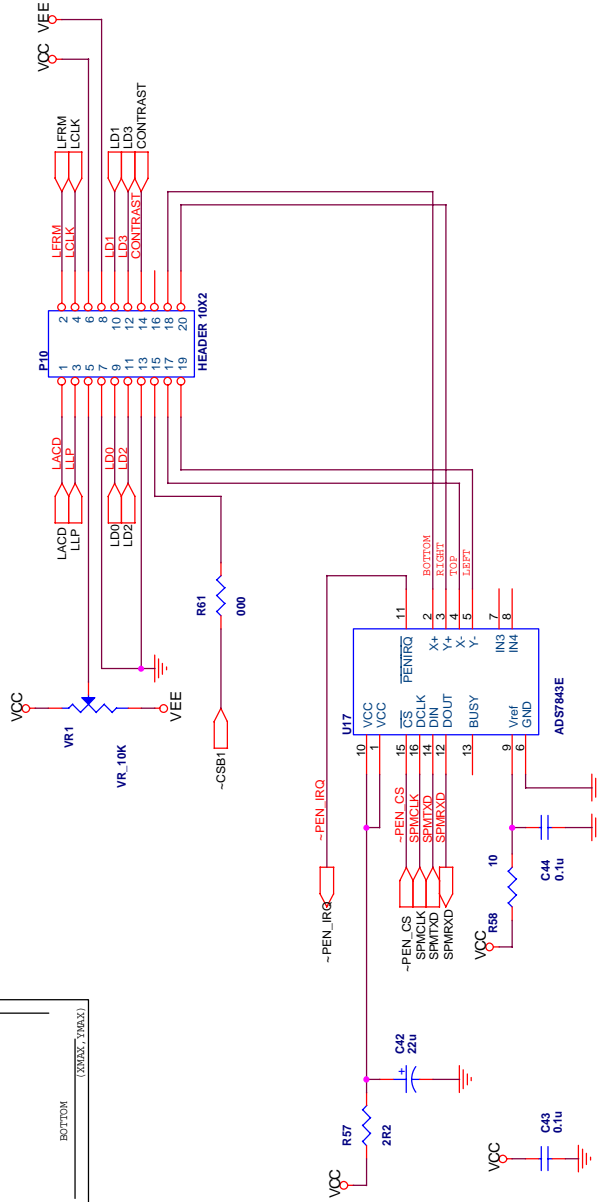
EMU ROM



Touch Panel & LCD



Connector for 4-Bit LCD

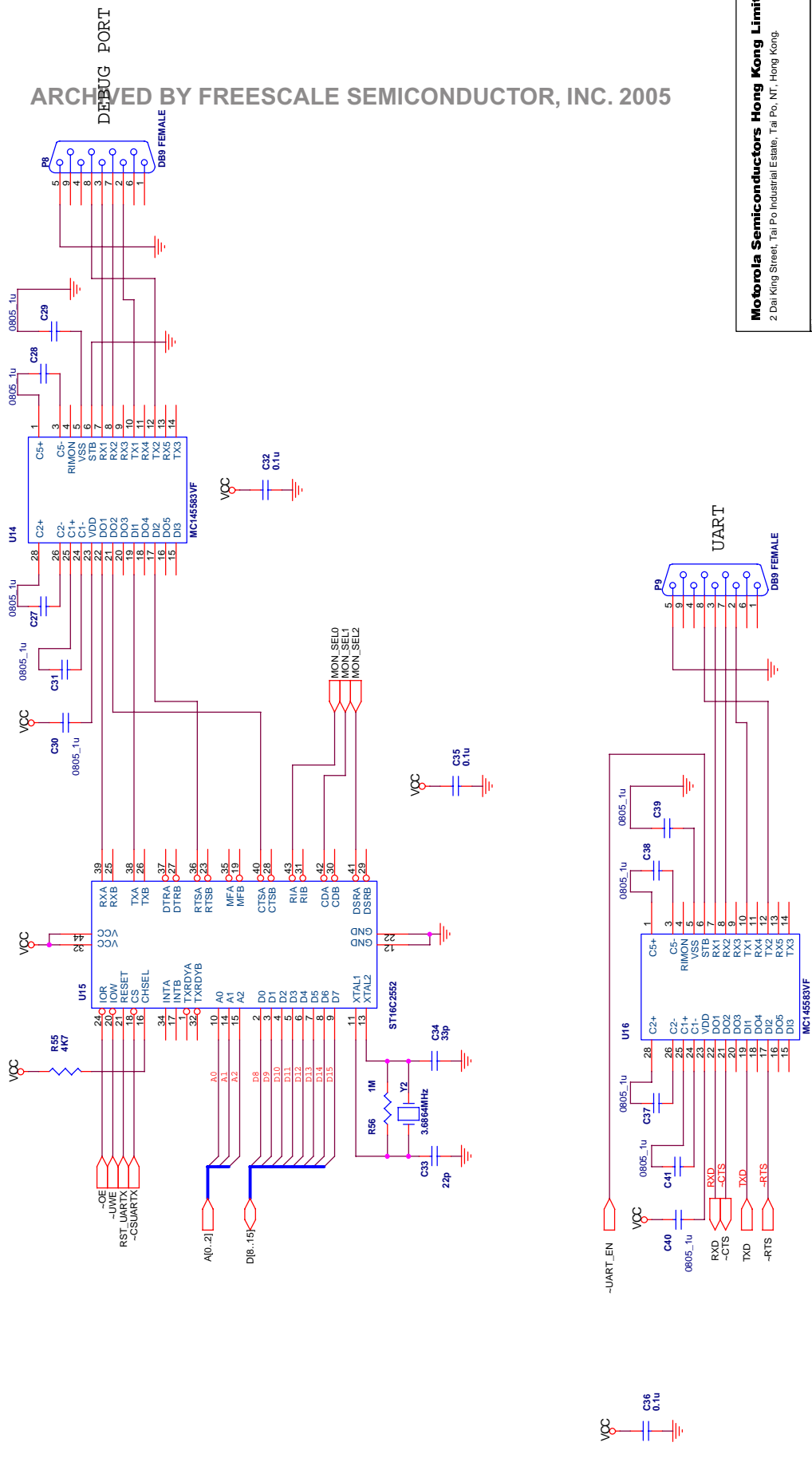


ARCHIVED BY FREESCALE SEMICONDUCTOR, INC. 2005

Motorola Semiconductors Hong Kong Limited	
2 Dai King Street, Tai Po Industrial Estate, Tai Po, NT, Hong Kong.	
Title	M68EZ328ADS
Size	Document Number
B	EZADS20.DSN
Rev	2.0
Date:	Wednesday, January 05, 2000
Sheet	4 of 10

ARCHIVED BY FREESCALE SEMICONDUCTOR, INC. 2005

UART Ports

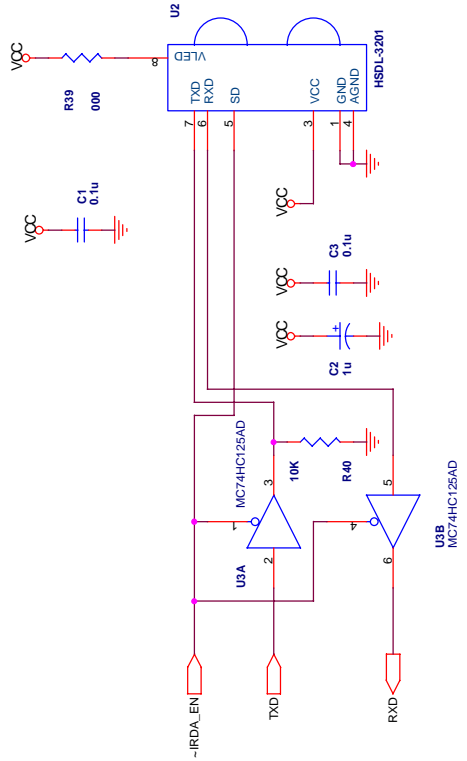


Motorola Semiconductors Hong Kong Limited	
2 Dai King Street, Tai Po Industrial Estate, Tai Po, NT, Hong Kong.	
Title	M68EZ328ADS
Size	Document Number
B	EZADS20.DSN
Date:	Wednesday, January 05, 2000
Sheet	5 of 10

IrDA

For More Information On This Product,
Go to: www.freescale.com

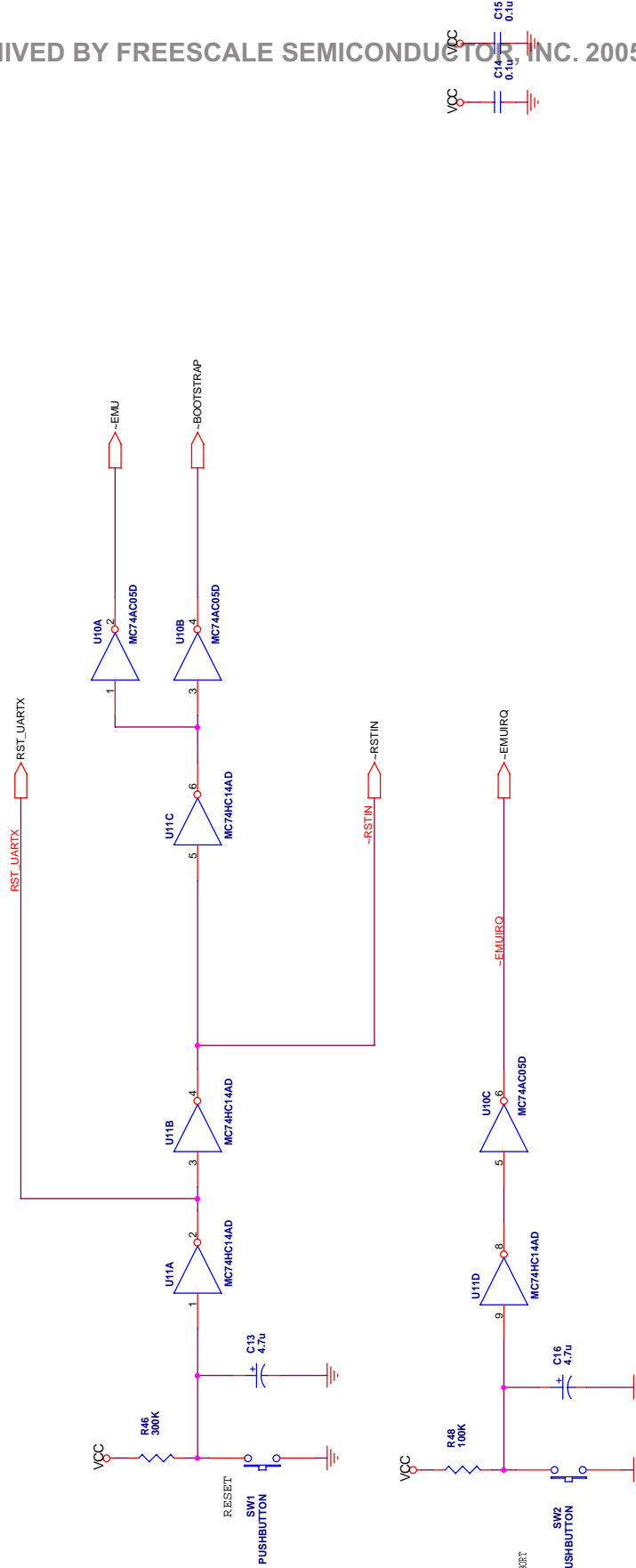
ARCHIVED BY FREESCALE SEMICONDUCTOR, INC. 2005



Motorola Semiconductors Hong Kong Limited 2 Dai King Street, Tai Po Industrial Estate, Tai Po, NT, Hong Kong.	
Title	M68EZ328ADS
Size	Document Number
B	EZADS20.DSN
Rev	2.0
Date:	Wednesday, January 05, 2000
Sheet	6 of 10

ARCHIVED BY FREESCALE SEMICONDUCTOR, INC. 2005

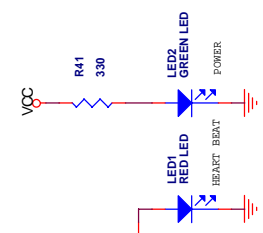
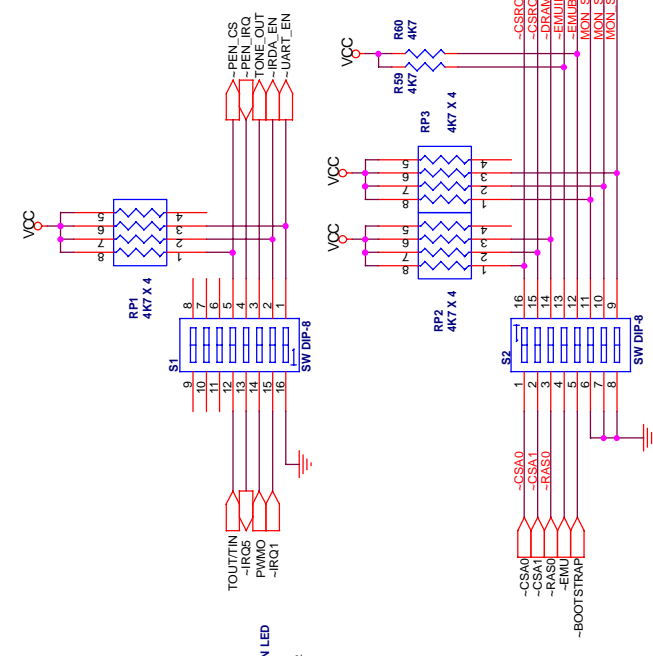
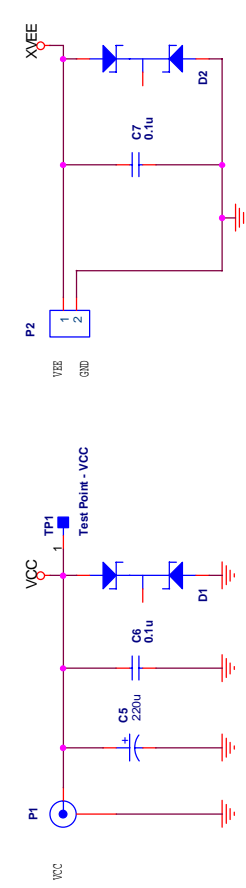
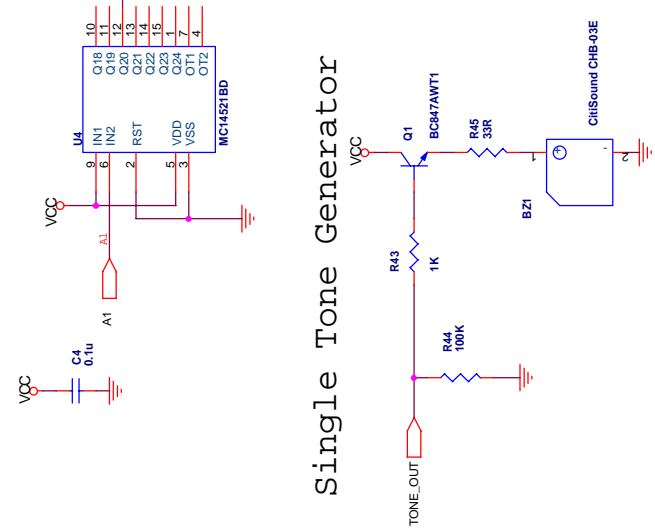
Reset Circuit



Motorola Semiconductors Hong Kong Limited
2 Dai King Street, Tai Po Industrial Estate, Tai Po, NT, Hong Kong.

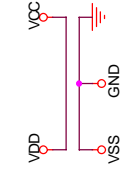
Title	MC74AC05D
Document Number	EZADS20.DSN
Size	B
Rev	2.0
Date	Wednesday, January 05, 2000
Sheet	7 of 10

MISC



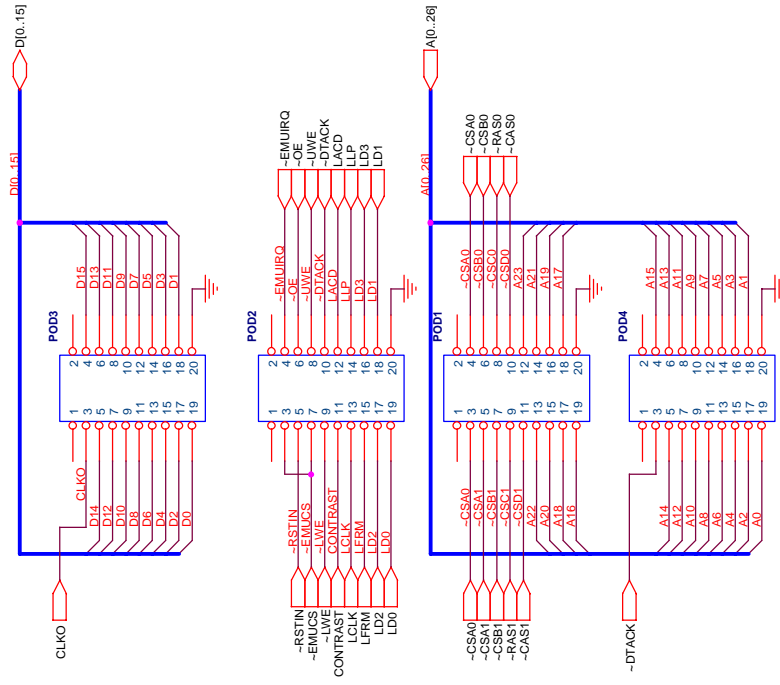
ARCHIVED BY FREESCALE SEMICONDUCTOR, INC. 2005

Motorola Semiconductors Hong Kong Limited	
2 Dai King Street, Tai Po Industrial Estate, Tai Po, NT, Hong Kong.	
Title	M68EZ328ADS
Size	Document Number
B	EZADS20.DSN
Rev	2.0
Date:	Wednesday, January 05, 2000
Sheet	8 of 10



Logic Analyzer Connectors

ARCHIVED BY FREESCALE SEMICONDUCTOR, INC. 2005



Free Manuals Download Website

<http://myh66.com>

<http://usermanuals.us>

<http://www.somanuals.com>

<http://www.4manuals.cc>

<http://www.manual-lib.com>

<http://www.404manual.com>

<http://www.luxmanual.com>

<http://aubethermostatmanual.com>

Golf course search by state

<http://golfingnear.com>

Email search by domain

<http://emailbydomain.com>

Auto manuals search

<http://auto.somanuals.com>

TV manuals search

<http://tv.somanuals.com>