

MVME197LE
Single Board Computer
Installation Guide
(MVME197LEIG/D1)

Notice

While reasonable efforts have been made to assure the accuracy of this document, Motorola, Inc. assumes no liability resulting from any omissions in this document, or from the use of the information obtained therein. Motorola reserves the right to revise this document and to make changes from time to time in the content hereof without obligation of Motorola to notify any person of such revision or changes.

No part of this material may be reproduced or copied in any tangible medium, or stored in a retrieval system, or transmitted in any form, or by any means, radio, electronic, mechanical, photocopying, recording or facsimile, or otherwise, without the prior written permission of Motorola, Inc.

It is possible that this publication may contain reference to, or information about Motorola products (machines and programs), programming, or services that are not announced in your country. Such references or information must not be construed to mean that Motorola intends to announce such Motorola products, programming, or services in your country.

Restricted Rights Legend

If the documentation contained herein is supplied, directly or indirectly, to the U.S. Government, the following notice shall apply unless otherwise agreed to in writing by Motorola, Inc.

Use, duplication, or disclosure by the Government is subject to restrictions as set forth in subparagraph (c)(1)(ii) of the Rights in Technical Data and Computer Software clause at DFARS 252.227-7013.

Motorola, Inc.
Computer Group
2900 South Diablo Way
Tempe, Arizona 85282-9602

Preface

This document provides a general board level hardware description, hardware preparation and installation instructions, debugger general information, and instructions on using the debugger for the MVME197LE Single Board Computer.

This document is intended for anyone who wants to design OEM systems, supply additional capability to an existing compatible system, or work in a lab environment for experimental purposes.

A basic knowledge of computers and digital logic is assumed.

To use this document, you may wish to become familiar with the publications listed in the *Related Documentation* section found in the following pages. This installation guide is based on these other documents.

Document Terminology

Throughout this document, a convention has been maintained whereby data and address parameters are preceded by a character which specifies the numeric format, as follows:

| | | |
|----|-----------|--------------------------------|
| \$ | dollar | specifies a hexadecimal number |
| % | percent | specifies a binary number |
| & | ampersand | specifies a decimal number |

For example, “12” is the decimal number twelve, and “\$12” is the decimal number eighteen. Unless otherwise specified, all address references are in hexadecimal throughout this document.

An asterisk (*) following the signal name for signals which are level significant denotes that the signal is true or valid when the signal is low.

An asterisk (*) following the signal name for signals which are edge significant denotes that the actions initiated by that signal occur on high to low transition.

In this document, *assertion* and *negation* are used to specify forcing a signal to a particular state. In particular, *assertion* and *assert* refer to a signal that is active or true; *negation* and *negate* indicate a signal that is inactive or false. These terms are used independently of the voltage level (high or low) that they represent.

Data and address sizes are defined as follows:

- ❑ A *byte* is eight bits, numbered 0 through 7, with bit 0 being the least significant.
- ❑ A two-byte is 16 bits, numbered 0 through 15, with bit 0 being the least significant. For the MVME197 series and other RISC modules, this is called a *half-word*.
- ❑ A four-byte is 32 bits, numbered 0 through 31, with bit 0 being the least significant. For the MVME197 series and other RISC modules, this is called a *word*.
- ❑ An eight-byte is 64 bits, numbered 0 through 63, with bit 0 being the least significant. For the MVME197 series and other RISC modules, this is called a *double-word*.

Throughout this document, it is assumed that the MPU on the MVME197 module series is always programmed with *big-endian byte ordering*, as shown below. Any attempt to use *small-endian byte ordering* will immediately render the MVME197Bug debugger unusable.

| | | | |
|------------|--------------|--------------|-----------------|
| BIT | | | BIT |
| 63 | 56 55 | 48 47 | 40 39 32 |
| ADRO | ADR1 | ADR2 | ADR3 |
| 31 | 24 23 | 16 15 | 08 07 00 |
| ADR4 | ADR5 | ADR6 | ADR7 |

The terms control bit and status bit are used extensively in this document. The term control bit is used to describe a bit in a register that can be set and cleared under software control. The term true is used to indicate that a bit is in the state that enables the function it controls. The term false is used to indicate that the bit is in the state that disables the function it controls. In all tables, the terms 0 and 1 are used to describe the actual value that should be written to the bit, or the value that it yields when read. The term status bit is used to describe a bit in a register that reflects a specific condition. The status bit can be read by software to determine operational or exception conditions.

Related Documentation

The following publications are applicable to the MVME197 module series and may provide additional helpful information. If not shipped with this product, they may be purchased by contacting your Motorola sales office.

| Document Title | Motorola Publication Number |
|--|--------------------------------|
| MVME197LE Single Board Computer User's Manual | MVME197LE |
| MVME197LE Single Board Computer Support Information | SIMVME197LE |
| MVME197DP and MVME197SP Single Board Computer User's Manual | MVME197 |
| MVME197DP and MVME197SP Single Board Computer Support Information | SIMVME197 |
| MVME197LE, MVME197DP, and MVME197SP Single Board Computers Programmer's Reference Guide | MVME197PG |
| MVME197BUG 197Bug Debugging Package User's Manual | MVME197BUG |
| MVME197BUG 197Bug Diagnostic Firmware User's Manual | MVME197DIAG |
| MVME712M Transition Module and P2 Adapter Board User's Manual | MVME712M |
| MVME712-12, MVME712-13, MVME712A, MVME712AM, and MVME712B Transition Module and LCP2 Adapter Board User's Manual | MVME712A |
| MC88110 Second Generation RISC Microprocessor User's Manual | MC88110UM |
| MC68040 Microprocessor User's Manual | MC68040UM |
| MC88410 Secondary Cache Controller User's Manual | MC88410UM |

Notes

1. **The support information manuals (SIMVME197LE and SIMVME197) contain: the connector interconnect signal information, parts lists, and the schematics for the specific board(s) indicated.**

2. **Although not shown in the above list, each Motorola Computer Group manual publication number is suffixed with characters which represent the revision level of the document, such as “/D2” (the second revision of a manual); a supplement bears the same number as the manual but has a suffix such as “/A1” (the first supplement to the manual).**

To further assist your development effort, Motorola has collected user’s manuals for each of the peripheral controllers used on the MVME197 module series and other boards from the suppliers. This bundle includes manuals for the following:

68-1X7DS for use with the MVME197 series of Single Board Computers.

NCR 53C710 SCSI Controller Data Manual and Programmer’s Guide
Intel i82596 Ethernet Controller User’s Manual
Cirrus Logic CD2401 Serial Controller User’s Manual
SGS-Thompson MK48T08 NVRAM/TOD Clock Data Sheet

The following non-Motorola publications may also be of interest and may be obtained from the sources indicated. The VMEbus Specification is contained in ANSI/IEEE Standard 1014-1987.

ANSI/IEEE Std 1014-1987
Versatile Backplane Bus: VMEbus

The Institute of Electrical and Electronics
Engineers, Incorporated
Publication and Sales Department
345 East 47th Street
New York, New York 10017-2633
Telephone: 1-800-678-4333

ANSI Small Computer System Interface-2
(SCSI-2), Draft Document X3.131-198X,
Revision 10c

Global Engineering Documents
P.O. Box 19539
Irvine, California 92713-9539
Telephone (714) 979-8135

The computer programs stored in the Read Only Memory of this device contain material copyrighted by Motorola Inc., first published 1991, and may be used only under license such as the License for Computer Programs (Article 14) contained in Motorola's Terms and Conditions of Sale, Rev. 1/79.

Motorola® and the Motorola symbol are registered trademarks of Motorola, Inc. Delta Series, M88000, SYSTEM V/88, VMEmodule, VMEsystem, and197bug are trademarks of Motorola, Inc.

Timekeeper and Zeropower are trademarks of Thompson Components.

All other products mentioned in this document are trademarks or registered trademarks of their respective holders

© Copyright Motorola 1993

All Rights Reserved

Printed in the United States of America

September 1993



This equipment generates, uses, and can radiate radio frequency energy and if not installed and used in accordance with the documentation for this product, may cause interference to radio communications. It has been tested and found to comply with the limits for a Class A Computing Device pursuant to Subpart J of Part 15 of FCC rules, which are designed to provide reasonable protection against such interference when operated in a commercial environment. Operation of this equipment in a residential area is likely to cause interference in which case the user, at the user's own expense, will be required to take whatever measures necessary to correct the interference.

SAFETY SUMMARY

SAFETY DEPENDS ON YOU

The following general safety precautions must be observed during all phases of operation, service, and repair of this equipment. Failure to comply with these precautions or with specific warnings elsewhere in this manual violates safety standards of design, manufacture, and intended use of the equipment. Motorola Inc. assumes no liability for the customer's failure to comply with these requirements. The safety precautions listed below represent warnings of certain dangers of which we are aware. You, as the user of the product, should follow these warnings and all other safety precautions necessary for the safe operation of the equipment in your operating environment.

GROUND THE INSTRUMENT.

To minimize shock hazard, the equipment chassis and enclosure must be connected to an electrical ground. The equipment is supplied with a three-conductor ac power cable. The power cable must either be plugged into an approved three-contact electrical outlet or used with a three-contact to two-contact adapter, with the grounding wire (green) firmly connected to an electrical ground (safety ground) at the power outlet. The power jack and mating plug of the power cable meet international Electrotechnical Commission (IEC) safety standards.

DO NOT OPERATE IN AN EXPLOSIVE ATMOSPHERE.

Do not operate the equipment in the presence of flammable gases or fumes. Operation of any electrical equipment in such an environment constitutes a definite safety hazard.

KEEP AWAY FROM LIVE CIRCUITS.

Operating personnel must not remove equipment covers. Only Factory Authorized Service Personnel or other qualified maintenance personnel may remove equipment covers for internal subassembly or component replacement or any internal adjustment. Do not replace components with power cable connected. Under certain conditions, dangerous voltages may exist even with the power cable removed. To avoid injuries, always disconnect power and discharge circuits before touching them.

DO NOT SERVICE OR ADJUST ALONE.

Do not attempt internal service or adjustment unless another person, capable of rendering first aid and resuscitation, is present.

USE CAUTION WHEN EXPOSING OR HANDLING THE CRT.

Breakage of the Cathode-Ray Tube (CRT) causes a high-velocity scattering of glass fragments (implosion). To prevent CRT implosion, avoid rough handling or jarring of the equipment. Handling of the CRT should be done only by qualified maintenance personnel using approved safety mask and gloves.

DO NOT SUBSTITUTE PARTS OR MODIFY EQUIPMENT.

Because of the danger of introducing additional hazards, do not install substitute parts or perform any unauthorized modification of the equipment. Contact your local Motorola representative for service and repair to ensure that safety features are maintained.

DANGEROUS PROCEDURE WARNINGS.

Warnings, such as the example below, precede potentially dangerous procedures throughout this manual. Instructions contained in the warnings must be followed. You should also employ all other safety precautions which you deem necessary for the operation of the equipment in your operating environment.



Dangerous voltages, capable of causing death, are present in this equipment. Use extreme caution when handling, testing, and adjusting.

Contents

CHAPTER 1 BOARD LEVEL HARDWARE DESCRIPTION

| | |
|--|------|
| Introduction | 1-1 |
| Overview | 1-1 |
| Requirements | 1-2 |
| Features..... | 1-3 |
| Block Diagram | 1-4 |
| Functional Description | 1-6 |
| Front Panel Switches and Indicators..... | 1-6 |
| Data Bus Structure | 1-7 |
| MC88110 MPU..... | 1-7 |
| BOOT ROM..... | 1-7 |
| Flash Memory..... | 1-7 |
| Onboard DRAM..... | 1-7 |
| Battery Backup RAM and Clock..... | 1-8 |
| VMEbus Interface | 1-8 |
| I/O Interfaces | 1-8 |
| Serial Port Interface | 1-8 |
| Printer Interface | 1-9 |
| Ethernet Interface..... | 1-9 |
| SCSI Interface | 1-10 |
| SCSI Termination..... | 1-10 |
| Peripheral Resources | 1-11 |
| Programmable Tick Timers | 1-11 |
| Watchdog Timer | 1-11 |
| Software-Programmable Hardware Interrupts..... | 1-11 |
| Processor Bus Timeout..... | 1-11 |
| Local Peripheral Bus Timeout..... | 1-11 |
| Interrupt Sources..... | 1-12 |
| Connectors | 1-12 |
| Memory Maps | 1-12 |
| Processor Bus Memory Map | 1-12 |
| VMEbus Memory Map..... | 1-15 |
| VMEbus Accesses to the Local Peripheral Bus..... | 1-15 |
| VMEbus Short I/O Memory Map..... | 1-15 |

CHAPTER 2 HARDWARE PREPARATION AND INSTALLATION

| | |
|--|-----|
| Introduction | 2-1 |
| Unpacking Instructions..... | 2-1 |
| Hardware Preparation | 2-1 |
| Configuration Switches | 2-3 |
| Configuration Switch S1: General Information | 2-3 |
| Configuration Switch S1: General Purpose Functions (S1-1 to S1-8) | 2-4 |
| Configuration Switch S1: System Controller Enable Function (S1-9) | 2-4 |
| Configuration Switch S6: Serial Port 4 Clock Select (S6-1, S6-2)..... | 2-5 |
| Installation Instructions | 2-5 |
| MVME197LE Module Installation | 2-6 |
| System Considerations | 2-7 |

CHAPTER 3 DEBUGGER GENERAL INFORMATION

| | |
|--|------|
| Overview of M88000 Firmware | 3-1 |
| Description of 197Bug..... | 3-1 |
| Comparison With M68000-Based Firmware..... | 3-2 |
| 197Bug Implementation..... | 3-2 |
| Installation and Start-up..... | 3-2 |
| Autoboot | 3-4 |
| ROMboot..... | 3-5 |
| Network Boot | 3-5 |
| Restarting the System..... | 3-6 |
| Reset | 3-6 |
| Abort..... | 3-7 |
| Break..... | 3-7 |
| SYSFAIL* Assertion/Negation..... | 3-8 |
| MPU Clock Speed Calculation | 3-8 |
| Memory Requirements | 3-8 |
| Terminal Input/Output Control..... | 3-9 |
| Disk I/O Support..... | 3-10 |
| Blocks Versus Sectors | 3-10 |
| Device Probe Function..... | 3-10 |
| Disk I/O via 197Bug Commands..... | 3-11 |
| IOI (Input/Output Inquiry)..... | 3-11 |
| IOP (Physical Input/Output to Disk)..... | 3-11 |

| | |
|---|------|
| IOT (Input/Output Teach) | 3-11 |
| IOC (Input/Output Control) | 3-11 |
| BO (Bootstrap Operating System) | 3-11 |
| BH (Bootstrap and Halt) | 3-11 |
| Disk I/O via 197Bug System Calls | 3-12 |
| Default 197Bug Controller and Device Parameters | 3-13 |
| Disk I/O Error Codes | 3-13 |
| Network I/O Support | 3-13 |
| Physical Layer Manager Ethernet Driver | 3-14 |
| UDP/IP Protocol Modules | 3-14 |
| RARP/ARP Protocol Modules | 3-14 |
| BOOTP Protocol Module | 3-14 |
| TFTP Protocol Module | 3-14 |
| Network Boot Control Module | 3-15 |
| Network I/O Error Codes | 3-15 |
| Multiprocessor Support | 3-15 |
| Multiprocessor Control Register (MPCR) Method | 3-15 |
| GCSR Method | 3-17 |
| Diagnostic Facilities | 3-17 |

CHAPTER 4 USING THE 197Bug DEBUGGER

| | |
|---|-----|
| Entering Debugger Command Lines | 4-1 |
| Syntactic Variables | 4-2 |
| Expression as a Parameter | 4-2 |
| Address as a Parameter | 4-4 |
| Address Formats | 4-4 |
| Offset Registers | 4-4 |
| Port Numbers | 4-5 |
| Entering and Debugging Programs | 4-5 |
| Calling System Utilities From User Programs | 4-6 |
| Preserving The Debugger Operating Environment | 4-6 |
| 197Bug Vector Table and Workspace | 4-6 |
| Hardware Functions | 4-6 |
| Exception Vectors Used by 197Bug | 4-6 |
| CPU/MPU Registers | 4-7 |
| Floating Point Support | 4-7 |
| Single Precision Real | 4-8 |
| Double Precision Real | 4-8 |
| Scientific Notation | 4-8 |
| 197Bug Debugger Command Set | 4-9 |

APPENDIX A CONFIGURE AND ENVIRONMENT COMMANDS

Configure Board Information Block.....A-1
Set Environment to Bug/Operating System.....A-2

APPENDIX B DISK/TAPE CONTROLLER DATA

Disk/Tape Controller Modules Supported..... B-1
Disk/Tape Controller Default Configurations..... B-2
IOT Command Parameters for Supported Floppy Types..... B-5

APPENDIX C NETWORK CONTROLLER DATA

Network Controller Modules Supported..... C-1

List of Figures

FIGURES

| | |
|---|-----|
| Figure 1-1. MVME197LE Block Diagram..... | 1-5 |
| Figure 2-1. MVME197LE Switches, Connectors, and LED Indicators Location Diagram..... | 2-2 |

List of Tables

TABLES

| | |
|--|------|
| Table 1-1. MVME197LE Specifications..... | 1-4 |
| Table 1-2. Processor Bus Memory Map..... | 1-13 |
| Table 1-3. Local Devices Memory Map..... | 1-14 |
| Table 4-1. Debugger Commands..... | 4-9 |
| Table A-1. ENV Command Parameters..... | A-3 |

BOARD LEVEL HARDWARE DESCRIPTION

1

Introduction

This chapter describes the board level hardware features of the MVME197LE Single Board Computer. The chapter is organized with a board level overview and features listed in this introduction, followed by a more detailed hardware functional description. Front panel switches and indicators are included in the detailed hardware functional description. This chapter closes with some general memory maps.

All programmable registers in the MVME197LE module reside in ASICs (Application-Specific Integrated Circuits) that are covered in the *MVME197LE, MVME197DP, and MVME197SP Single Board Computers Programmer's Reference Guide*.

Overview

The MVME197LE module is a double-high VME module based on the MC88110 RISC microprocessor. The MVME197LE has 32/64MB of DRAM, 1MB of flash memory, 8KB of static RAM (with battery backup), a time of day clock (with battery backup), an Ethernet transceiver interface, four serial ports with EIA-232-D interface, six tick timers, a watchdog timer, 128KB of BOOT ROM, a SCSI bus interface with DMA (Direct Memory Access), a Centronics printer port, an A16/A24/A32/D8/D16/D32 VMEbus master/slave interface, and a VMEbus system controller.

Input/Output (I/O) signals are routed through the MVME197LE's backplane connector P2. A P2 Adapter Board or LCP2 Adapter board routes the signals and grounds from connector P2 to an MVME712 series transition module. The MVME197LE supports the MVME712M, MVME712A, MVME712AM, and MVME712B transition boards (referred to here as the MVME712X, unless separately specified). The MVME197LE also supports the MVME712-12 and MVME712-13 (referred to as the MVME712-XX, unless separately specified). These transition boards provide configuration headers, serial port drivers, and industry standard connectors for the I/O devices.

The MVME197LE modules have eight ASICs (described in the following order: BusSwitch, DCAM, ECDM, PCC2, and VME2).

The BusSwitch ASIC provides an interface between the processor bus (MC88110 bus) and the local peripheral bus (MC68040 compatible bus). Refer to the MVME197LE block diagram (Figure 1-1). It provides bus arbitration for the MC88110 bus and serves as a seven level interrupt handler. It has programmable map decoders for both busses, as well as write post buffers on each, two tick timers, and four 32-bit general purpose registers.

The DCAM (DRAM Controller and Address Multiplexer) ASIC provides the address multiplexers and RAS/CAS/WRITE control for the DRAM as well as data control for the ECDM.

The ECDM (Error Correction and Data Multiplexer) ASIC multiplexes between four data paths on the DRAM array. Since the device handles 16 bits, four such devices are required on the MVME197LE to accommodate the 64-bit data bus of the MC88110 microprocessor. Single-bit error correction and double-bit detection is performed in the ECDM.

The PCCchip2 (Peripheral Channel Controller) ASIC provides two tick timers and the interface to the LAN chip, the SCSI chip, the serial port chip, the printer port, and the BBRAM (Battery Backup RAM).

A VMEbus interface chip with an MC68040 bus interface is one ASIC called the VMEchip2. The VMEchip2 includes two tick timers, a watchdog timer, programmable map decoders for the master and slave interfaces, and a VMEbus to/from the local peripheral bus DMA controller, a VMEbus to/from the local peripheral bus non-DMA programmed access interface, a VMEbus interrupter, a VMEbus system controller, a VMEbus interrupt handler, and a VMEbus requester.

Local peripheral bus to VMEbus transfers can be D8, D16, or D32. VMEchip2 DMA transfers to the VMEbus, however, can be 64 bits wide as Block Transfer (BLT).

Requirements

These boards are designed to conform to the requirements of the following documents:

- VMEbus Specification (IEEE 1014-87)
- EIA-232-D Serial Interface Specification, EIA
- SCSI Specification, ANSI

Features

These are some of the major features of the MVME197LE single board computer:

- ❑ MC88110 RISC Microprocessor
- ❑ 32 or 64 megabytes of 64-bit Dynamic Random Access Memory (DRAM) with error correction
- ❑ 1 megabyte of Flash memory
- ❑ Six status LEDs (FAIL, RUN, SCON, LAN, SCSI, and VME)
- ❑ 8 kilobytes of Static Random Access Memory (SRAM) and Time of Day (TOD) clock with Battery Backup RAM (BBRAM)
- ❑ Two push-button switches (ABORT and RESET)
- ❑ 128 kilobytes of BOOT ROM
- ❑ Six 32-bit tick timers for periodic interrupts
- ❑ Watchdog timer
- ❑ Eight software interrupts
- ❑ I/O
 - SCSI Bus interface with Direct Memory Access (DMA)
 - Four serial ports with EIA-232-D buffers
 - Centronics printer port
 - Ethernet transceiver interface
- ❑ VMEbus interface
 - VMEbus system controller functions
 - VMEbus interface to local peripheral bus (A24/A32, D8/D16/D32 BLT (D8/D16/D32/D64))(BLT = Block Transfer)
 - Local peripheral bus to VMEbus interface (A24/A32, D8/D16/D32 BLT (D16/D32/D64))
 - VMEbus interrupter

Specifications

The specifications for the MVME197LE are listed in Table 1-1.

Table 1-1. MVME197LE Specifications

| Characteristics | Specifications |
|---|---|
| Power requirements | +5 Vdc (+/- 2.5%), 4 A (typical), 5 A (maximum) +12 Vdc (+/- 2.5%), 100 mA (maximum) -12 Vdc (+/- 2.5%), 100 mA (maximum) |
| Operating temperature | 0° to 55° C at point of entry of forced air (approximately 490 LFM) |
| Storage temperature | -40° to 85° C |
| Relative humidity | 5% to 90% (non-condensing) |
| Physical dimensions: | Double-high VMEboard |
| PC board | |
| Height | 9.187 inches (233.35 mm) |
| Width | 6.299 inches (160.00 mm) |
| Thickness | 0.063 inch (1.60 mm) |
| PC board with connectors and front panel | |
| Height | 10.309 inches (261.85 mm) |
| Width | 7.4 inches (188.00 mm) |
| Thickness | 0.80 inch (20.32 mm) |
| Board connectors: | |
| P1 connector | 96-pin connector which provides the interface to the VMEbus signals. |
| P2 connector | 96-pin connector which provides the interface to the extended VMEbus signals and other I/O signals. |
| J1 connector | 20-pin connector which provides the interface to the remote reset, abort, the LEDs, and three general purpose I/O signals. |
| J2 connector | 249-pin connector which provides the interface to the MC88110 address, data, and control signals to and from the mezzanine expansion. |

Block Diagram

Figure 1-1 is a general block diagram of the MVME197LE.

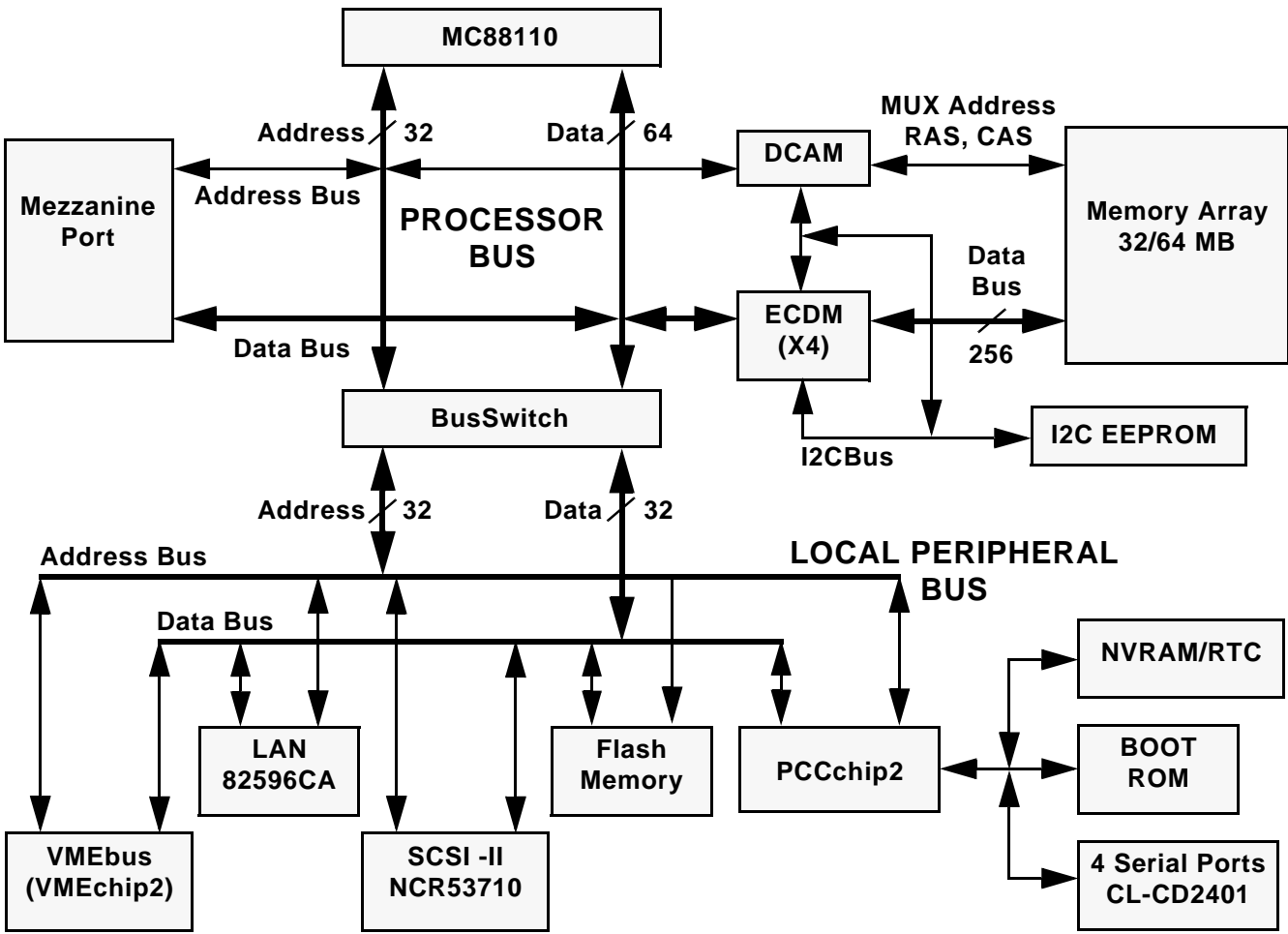


Figure 1-1. MVME197LE Block Diagram

Functional Description

The following sections contain a functional description of the major blocks on the MVME197LE single board computer.

Front Panel Switches and Indicators

There are two push-button switches and six LEDs on the front panel of the MVME197LE module. The switches are RESET and ABORT. The RESET switch (S3) will reset all onboard devices and drive the SYSRESET* signal if the board **is** the system controller. The RESET switch (S3) will reset all onboard devices except the DCAM and ECDM if the board **is not** the system controller. The VMEchip2 generates the SYSREST* signal. The BusSwitch combines the local reset and the reset switch to generate a local board reset. Refer to the *Reset Driver* section in the *VMEchip2* chapter of the *MVME197LE*, *MVME197DP*, and *MVME197SP Single Board Computers Programmer's Reference Guide* for more information.

When enabled by software, the ABORT switch (S2) generates an interrupt at a user-programmable level. It is normally used to abort program execution and return to the debugger. Refer to the *VMEchip2* chapter of the *MVME197LE*, *MVME197DP*, and *MVME197SP Single Board Computers Programmer's Reference Guide* for more information.

The six LEDs on the MVME197LE front panel are: FAIL, SCON, RUN, LAN, VME, and SCSI.

1. The yellow FAIL LED (DS1) is lit when the BRDFAIL signal line is active.
2. The green SCON LED (DS2) is lit when the VMEchip2 is the VMEbus system controller.
3. The green RUN LED (DS3) is lit when the MC88110 bus MC* pin is low.
4. The green LAN LED (DS4) lights when the LAN chip is the local peripheral bus master.
5. The green VME LED (DS5) lights when the board is using the VMEbus or when the board is accessed by the VMEbus.
6. The green SCSI LED (DS6) lights when the SCSI chip is the local peripheral bus master.

Data Bus Structure

The data bus structure is arranged to accommodate the various 8-bit, 16-bit, 32-bit, and 64-bit devices that reside on the module. Refer to the *MVME197LE*, *MVME197DP*, and *MVME197SP Single Board Computers Programmer's Reference Guide* and to the user's guide for each device to determine its port size, data bus connection, and any restrictions that apply when accessing the device.

MC88110 MPU

The MVME197LE is based on the MC88000 family and uses one MC88110 microprocessor unit. Refer to the *MC88110 Second Generation RISC Microprocessor User's Manual* for more information.

BOOT ROM

A socket for a 32-pin PLCC/CLCC ROM/EPROM referred to as BOOT ROM or DROM (Download ROM) is provided. It is organized as a 128K x 8 device, but as viewed from the processor it looks like a 16K x 64 memory. This memory is mapped starting at location \$FFF80000, but after a local reset it is also mapped at location 0, providing a reset vector and bootstrap code for the processor. The DR0 bit in the General Control Register (GCR) of the PCCchip2 must be cleared to disable the BOOT ROM memory map at 0.

Flash Memory

Up to 1MB of flash memory is available on the board. Flash memory works like EPROM, but can be erased and reprogrammed by software. It is organized as 32 bits wide, but to the processor it looks as 64 bits wide. It is mapped at location \$FF800000. Reads can be of any size, including burst transfers, but writes are always 32 bits wide, regardless of the size specified for the transfer. For this reason, software should only use 32-bit write transfers. This memory is controlled by the BusSwitch, and the memory size, access time, and write enable capability can be programmed via the ROM Control Register (ROMCR) in the BusSwitch. The flash memory can be accessed from the processor bus only. It is not accessible from the local peripheral bus or VMEbus.

Onboard DRAM

The MVME197LE onboard DRAM (2 banks of 32MB memory, one optionally installed) is sized at 32MB using 1M x 4 devices and configured as 256 bits wide. The DRAM is four-way interleaved to efficiently support cache burst cycles. The DRAM is controlled by the DCAM and ECDM, and the map decoders in the DCAM can be programmed through the I2Cbus interface in the ECDM to accommodate different base address(es) and sizes. The onboard

DRAM is not disabled by a local peripheral bus reset. Refer to the *DCAM* and *ECDM* chapters in the *MVME197LE, MVME197DP, and MVME197SP Single Board Computers Programmer's Reference Guide* for detailed programming information.

Battery Backup RAM and Clock

The MK48T08 RAM and clock chip is used on the MVME197LE. This chip provides a time of day clock, oscillator, crystal, power fail detection, memory write protection, 8KB of RAM, and a battery in one 28-pin package. The clock provides seconds, minutes, hours, day, date, month, and year in BCD 24-hour format. Corrections for 28-, 29-, (leap year) and 30-day months are automatically made. No interrupts are generated by the clock. The MK48T08 is an 8-bit device; however the interface provided by the PCCchip2 supports 8-, 16-, and 32-bit accesses to the MK48T08. Refer to the *PCCchip2* chapter in the *MVME197LE, MVME197DP, and MVME197SP Single Board Computers Programmer's Reference Guide* and to the MK48T08 data sheet for detailed programming information.

VMEbus Interface

The local peripheral bus to VMEbus interface, the VMEbus to local peripheral bus interface, and the local-VMEbus DMA controller functions on the MVME197LE are provided by the VMEchip2. The VMEchip2 can also provide the VMEbus system controller functions. Refer to the *VMEchip2* chapter in the *MVME197LE, MVME197DP, and MVME197SP Single Board Computers Programmer's Reference Guide* for detailed programming information.

I/O Interfaces

The MVME197LE provides onboard I/O for many system applications. The I/O functions include serial ports, a printer port, an Ethernet transceiver interface, and a SCSI mass storage interface.

Serial Port Interface

The CD2401 serial controller chip (SCC) is used to implement the four serial ports. The serial ports support the standard baud rates (110 to 38.4K baud). Serial port 4 also supports synchronous modes of operation.

The four serial ports are different functionally because of the limited number of pins on the I/O connector. Serial port 1 is a minimum function asynchronous port. It uses RXD, CTS, TXD, and RTS. Serial ports 2 and 3 are full function asynchronous ports. They use RXD, CTS, DCD, TXD, RTS, and DTR. Serial port 4 is a full function asynchronous or synchronous port. It can

operate at synchronous bit rates up to 64k bits per second. It uses RXD, CTS, DCD, RTS, and DTR. It also interfaces to the synchronous clock signal lines. Refer to the *MVME197LE*, *MVME197DP*, and *MVME197SP Single Board Computers Programmer's Reference Guide* for drawings of the serial port interface connections.

All four serial ports use EIA-232-D drivers and receivers located on the main board, and all the signal lines are routed to the I/O connector. The configuration headers are located on the MVME712X transition board. An external I/O transition board such as the MVME712X should be used to convert the I/O connector pinout to industry-standard connectors.

The interface provided by the PCCchip2 allows the 16-bit CD2401 to appear at contiguous addresses; however, accesses to the CD2401 must be 8 or 16 bits. 32-bit accesses are not permitted. Refer to the CD2401 data sheet and to the *PCCchip2* chapter in the *MVME197LE*, *MVME197DP*, and *MVME197SP Single Board Computers Programmer's Reference Guide* for detailed programming information.

The CD2401 supports DMA operations to local memory. Because the CD2401 does not support a retry operation necessary to break VMEbus lock conditions, the CD2401 DMA controllers should not be programmed to access the VMEbus. The hardware does not restrict the CD2401 to onboard DRAM.

Printer Interface

The MVME197LE has a Centronics-compatible printer interface. The printer interface is provided by the PCCchip2. Refer to the *PCCchip2* chapter in the *MVME197LE*, *MVME197DP*, and *MVME197SP Single Board Computers Programmer's Reference Guide* for detailed programming information and for drawings of the printer port interface connections.

Ethernet Interface

The 82596CA is used to implement the Ethernet transceiver interface. The 82596CA accesses local RAM using DMA operations to perform its normal functions. Because the 82596CA has small internal buffers and the VMEbus has an undefined latency period, buffer overrun may occur if the DMA is programmed to access the VMEbus. Therefore, the 82596CA should not be programmed to access the VMEbus.

Every MVME197LE module is assigned an Ethernet Station Address. This address is \$08003E2XXXXX, where XXXXX is the unique 5-nibble number assigned to the board (i.e., every MVME197LE has a different value for XXXXX).

The Ethernet Station Address is displayed on a label attached to the VMEbus P2 connector. In addition, the eight bytes including the Ethernet address are stored in the configuration area of the BBRAM, with the two lower bytes of those set to 0. That is, 08003E2XXXXX0000 is stored in the BBRAM. At an address of \$FFFC1F2C, the upper four bytes (08003E2X) can be read. At an address of \$FFFC1F30, the lower four bytes (XXXX0000) can be read. Refer to the BBRAM, TOD Clock memory map description later in this chapter. The MVME197LE debugger has the capability to retrieve or set the Ethernet address.

If the data in the BBRAM is lost, the user should use the number on the VMEbus P2 connector label to restore it. Refer to the *MVME197BUG 197Bug Debugging Package User's Manual*.

The Ethernet transceiver interface is located on the MVME197LE main module, and the industry standard connector is located on the MVME712X transition module.

Support functions for the 82596CA are provided by the PCCchip2. Refer to the *82596CA LAN Coprocessor User's Manual* and to the *PCCchip2* chapter in the *MVME197LE, MVME197DP, and MVME197SP Single Board Computers Programmer's Reference Guide* for detailed programming information.

SCSI Interface

The MVME197LE provides for mass storage subsystems through the industry-standard SCSI bus. These subsystems may include hard and floppy disk drives, streaming tape drives, and other mass storage devices. The SCSI interface is implemented using the NCR 53C710 SCSI I/O controller.

Support functions for the 53C710 are provided by the PCCchip2. Refer to the *NCR 53C710 SCSI I/O Processor Data Manual* and to the *PCCchip2* chapter in the *MVME197LE, MVME197DP, and MVME197SP Single Board Computers Programmer's Reference Guide* for detailed programming information.

SCSI Termination

The system configurer must ensure that the SCSI bus is terminated properly. On the MVME197LE, the terminators are located on the P2 transition board. The +5V power to the SCSI bus termination resistors is provided by the P2 transition board.

Peripheral Resources

The MVME197LE includes many resources for the local processor. These include tick timers, software programmable hardware interrupts, watchdog timer, and local peripheral bus timeout.

Programmable Tick Timers

Six 32-bit programmable tick timers with 1 μ sec resolution are provided, two in the BusSwitch, two in the VMEchip2, and two in the PCCchip2. The tick timers can be programmed to generate periodic interrupts to the processor. Refer to the *VMEchip2*, *PCCchip2*, and *BusSwitch* chapters in the *MVME197LE*, *MVME197DP*, and *MVME197SP Single Board Computers Programmer's Reference Guide* for detailed programming information.

Watchdog Timer

A watchdog timer function is provided in the VMEchip2. When the watchdog timer is enabled, it must be reset by software within the programmed time or it times out. The watchdog can be programmed to generate a SYSRESET* signal, local reset signal, or board fail if it times out. Refer to the *VMEchip2* chapter in the *MVME197LE*, *MVME197DP*, and *MVME197SP Single Board Computers Programmer's Reference Guide* for detailed programming information.

Software-Programmable Hardware Interrupts

Eight software-programmable hardware interrupts are provided by the VMEchip2. These interrupts allow software to create a hardware interrupt. Refer to the *VMEchip2* chapter in the *MVME197LE*, *MVME197DP*, and *MVME197SP Single Board Computers Programmer's Reference Guide* for detailed programming information.

Processor Bus Timeout

The BusSwitch provides a bus timeout circuit for the processor bus. When enabled by the BTIMER register in the BusSwitch, the timer starts counting when DBB* is asserted, and if the cycle is not terminated (TA*, TEA*, or TRTRY* asserted) before the programmed timeout period, TEA* is asserted. This timer is disabled if the access goes to the local peripheral bus.

Local Peripheral Bus Timeout

The MVME197LE provides a timeout function for the processor bus (MC88110 bus) and for the local peripheral bus (MC68040 compatible bus). When the timer is enabled and a bus access times out, a Transfer Error Acknowledge (TEA) signal is generated. The timeout value is selectable by software for 8

μsec , 64 μsec , 256 μsec , or infinite for the local peripheral bus. The local peripheral bus timer does not operate during VMEbus bound cycles. VMEbus bound cycles are timed by the VMEbus access timer and the VMEbus global timer.

Interrupt Sources

MVME197LE MPU interrupts are channeled through the BusSwitch. They may come from internal BusSwitch sources as well as from the PCCchip2 (IPL inputs to the BusSwitch), the VMEchip2 (XIPL inputs to the BusSwitch), and other external sources (PALINT and IRQ). The BusSwitch may also generate the non-maskable interrupt (NMI) signal to the MPU from the ABORT push-button switch. Refer to the *BusSwitch*, *PCCchip2*, and *VMEchip2* chapters in the *MVME197LE, MVME197DP, and MVME197SP Single Board Computers Programmer's Reference Guide* for more detailed information.

Connectors

The MVME197LE has two 64-position DIN connectors: P1 and P2. Connector P1 rows A, B, C, and connector P2 row B provide the VMEbus interconnection. Connector P2 rows A and C provide the interconnect to the SCSI bus, the serial ports, the Ethernet interface, and the Centronics printer. There is a 249-pin mezzanine connector (J2) with the MC88110 bus interface. This mezzanine connector is for other MVME197 module expansion. On the MVME197LE there is also a 20-pin general purpose connector (J1) which provides the interconnect to the LEDs and the reset and abort signals. This connector is different for the other modules in the MVME197 series. Refer to the board specific *SIMVME197 Single Board Computer Support Information* manual for detailed connector signal descriptions.

Memory Maps

There are three points of view for the memory maps: 1) the mapping of all resources as viewed by the Processor Bus (MC88110 bus), 2) the mapping of onboard/off-board resources as viewed from the Local Peripheral Bus (MC68040 compatible bus), and 3) the mapping of onboard resources as viewed by VMEbus Masters (VMEbus memory map).

Processor Bus Memory Map

Care should be taken, since all three maps are programmable. It is recommended that direct mapping from the Processor Bus to the Local Peripheral Bus be used.

The memory maps of MVME197LE devices are provided in the following tables. Table 1-2 is the entire map from \$00000000 to \$FFFFFFF. Many areas of the map are user-programmable, and suggested uses are shown in the table. This is assuming no address translation is used between the processor and local peripheral bus and between the local peripheral bus and VMEbus. The cache inhibit function is programmable in the MC88110. The onboard I/O space must be marked cache inhibit and serialized in its page table. Table 1-3 further defines the map for the local devices.

Table 1-2. Processor Bus Memory Map

| Address Range | Devices Accessed | Port Size | Size | Software Cache Inhibit | Notes |
|---------------------------|-------------------------------------|-----------|----------|------------------------|-------|
| \$00000000 - DRAMSIZE | User Programmable (Onboard DRAM) | D64 | DRAMSIZE | N | 1 |
| DRAMSIZE - \$FF7FFFFF | User Programmable (VMEbus) | D32/D16 | 3GB | ? | 2,3 |
| \$FF800000 - \$FFBFFFFF | Flash Memory | D32 | 4MB | N | 5 |
| \$FFC00000 - \$FFEFFFFF | reserved | --- | 3MB | --- | 4 |
| \$FFF00000 - \$FFFFFFFFFF | Local Devices (Refer to next table) | D32-D8 | 1MB | Y | |
| \$FFFF0000 - \$FFFFFFF | User Programmable (VMEbus A16) | D32/D16 | 64KB | ? | 1,3 |

Notes

- This area is user-programmable. The suggested use is shown in the table. The DRAM decoder is programmed in the DCAM through the ECDM I2Cbus interface. The Processor Bus to Local Peripheral Bus and the Local Peripheral Bus to Processor Bus decoders are programmed in the BusSwitch. The Local Peripheral to VMEbus (master) and VMEbus to Local Peripheral Bus (slave) decoders are programmed in the VMEchip2.**
- Size is approximate.**
- Cache inhibit depends on devices in area mapped.**
- This area is not decoded. If these locations are accessed and the local peripheral bus timer is enabled, the cycle times out and is terminated by a TEA signal.**
- This area is user programmable via the BusSwitch. Default size is 4 megabytes.**

The following table focuses on the Local Devices portion of the Memory Map.

Table 1-3. Local Devices Memory Map

| Address Range | Devices Accessed | Port Size | Size | Notes |
|-----------------------|-----------------------------|-----------|-------|-------|
| SFFF00000 - SFFF00FFF | BusSwitch | D64-D8 | 4KB | 1 |
| SFFF01000 - SFFF01FFF | ECDM (DCAM access) | --- | 4KB | 1 |
| SFFF02000 - SFFF02FFF | reserved | --- | 4KB | 4 |
| SFFF03000 - SFFF03FFF | reserved | --- | 4KB | 4 |
| SFFF04000 - SFFF04FFF | reserved | --- | 4KB | 4 |
| SFFF05000 - SFFF05FFF | reserved | --- | 4KB | 4 |
| SFFF06000 - SFFF06FFF | reserved | --- | 4KB | 4 |
| SFFF07000 - SFFF07FFF | User defined | --- | 4KB | 4 |
| SFFF08000 - SFFF3FFFF | reserved | --- | 224KB | 4 |
| SFFF40000 - SFFF400FF | VMEchip2 (LCSR) | D32 | 256B | 1,2,3 |
| SFFF40100 - SFFF401FF | VMEchip2 (GCSR) | D32-D8 | 256B | 1,2,3 |
| SFFF40200 - SFFF40FFF | reserved | --- | 3.5KB | 4,5 |
| SFFF41000 - SFFF41FFF | reserved | --- | 4KB | 4 |
| SFFF42000 - SFFF42FFF | PCCchip2 | D32-D8 | 4KB | 1,2 |
| SFFF43000 - SFFF43FFF | reserved | --- | 4KB | 4 |
| SFFF44000 - SFFF44FFF | reserved | --- | 4KB | 3 |
| SFFF45000 - SFFF45FFF | CD2401 (Serial Comm. Cont.) | D16-D8 | 4KB | 1,2 |
| SFFF46000 - SFFF46FFF | 82596CA (LAN) | D32 | 4KB | 1,2,6 |
| SFFF47000 - SFFF47FFF | 53C710 (SCSI) | D32/D8 | 4KB | 1,2 |
| SFFF48000 - SFFF4FFFF | reserved | --- | 32KB | 4 |
| SFFF50000 - SFFF6FFFF | reserved | --- | 128KB | 4 |
| SFFF70000 - SFFF77FFF | reserved | --- | 32KB | 4 |
| SFFF78000 - SFFF7FFFF | reserved | --- | 288KB | 4 |
| SFFF80000 - SFFFBFFFF | DROM (BOOT ROM) | --- | 256KB | 7 |
| SFFFC0000 - SFFFCFFFF | MK48T08 (BBRAM,TOD Clk) | D32-D8 | 64KB | 1,2 |
| SFFFD0000 - SFFFEFFFF | reserved | --- | 128KB | 4 |

Notes

1. For a complete description of the register bits, refer to the appropriate data sheet for the specific chip. For a more detailed memory map refer to the detailed peripheral device memory maps in the MVME197LE, MVME197DP, and MVME197SP Single Board Computers Programmer's Reference Guide.
2. Address is the physical address going to the device. It is after the BusSwitch translation from the MC88110 address to the device seen address.

3. **Writes to the LCSR in the VMEchip2 must be 32 bits. LCSR writes of 8 or 16 bits terminate with a TEA signal. Writes to the GCSR may be 8, 16, or 32 bits. Reads to the LCSR and GCSR may be 8, 16, or 32 bits.**
4. **This area does not return an acknowledge signal. If the processor bus timeout timer is enabled, the access times out and is terminated by a TEA signal.**
5. **Size is approximate.**
6. **Port commands to the 82596CA must be written as two 16-bit writes: upper word first and lower word second.**
7. **DROM (BOOT ROM) appears at \$0 following a local peripheral bus reset. The DROM appears at 0 until the DR0 bit is cleared in the PCCchip2. The DR0 bit is located at address 0 bit D15. The DROM must be disabled at 0 before the DRAM is accessed.**

VMEbus Memory Map

This section describes the mapping of local resources as viewed by VMEbus masters.

VMEbus Accesses to the Local Peripheral Bus

The VMEchip2 includes a user-programmable map decoder for the VMEbus to local peripheral bus interface. The map decoder allows the user to program the starting and ending address and the modifiers the MVME197LE responds to.

VMEbus Short I/O Memory Map

The VMEchip2 includes a user-programmable map decoder for the GCSR (Global Control and Status Registers). The GCSR map decoder allows the user to program the starting address of the GCSR in the VMEbus short I/O space.

HARDWARE PREPARATION AND INSTALLATION

2

Introduction

This chapter provides unpacking instructions, hardware preparation, and installation instructions for the MVME197LE VME module. The MVME712X transition module hardware preparation is provided in separate manuals, refer to the *Related Documentation* section of this guide.

Unpacking Instructions

Note If shipping carton is damaged upon receipt, request that the carrier's agent be present during unpacking and inspection of equipment.

Carefully unpack the equipment from the shipping carton. Refer to the packing list and verify that all items are present. Save the shipping carton and packing materials for storing or reshipping of the equipment.

Caution Avoid touching areas of integrated circuits. Static discharge can damage these components.

Inspect the equipment for any shipping damage. If no damage exists, then the module can be prepared for operation according to the following sections of this chapter.

Hardware Preparation

To select the desired configuration and ensure proper operation of the MVME197LE module, certain modifications may be necessary before installation. These modifications are made through switch settings as described in the following sections. Many other modifications are done by setting bits in control registers after the MVME197LE has been installed in a system. (The MVME197LE registers are described in the *MVME197LE, MVME197DP, and MVME197SP Single Board Computers Programmer's Reference Guide* as listed in the *Related Documentation* section of this guide).

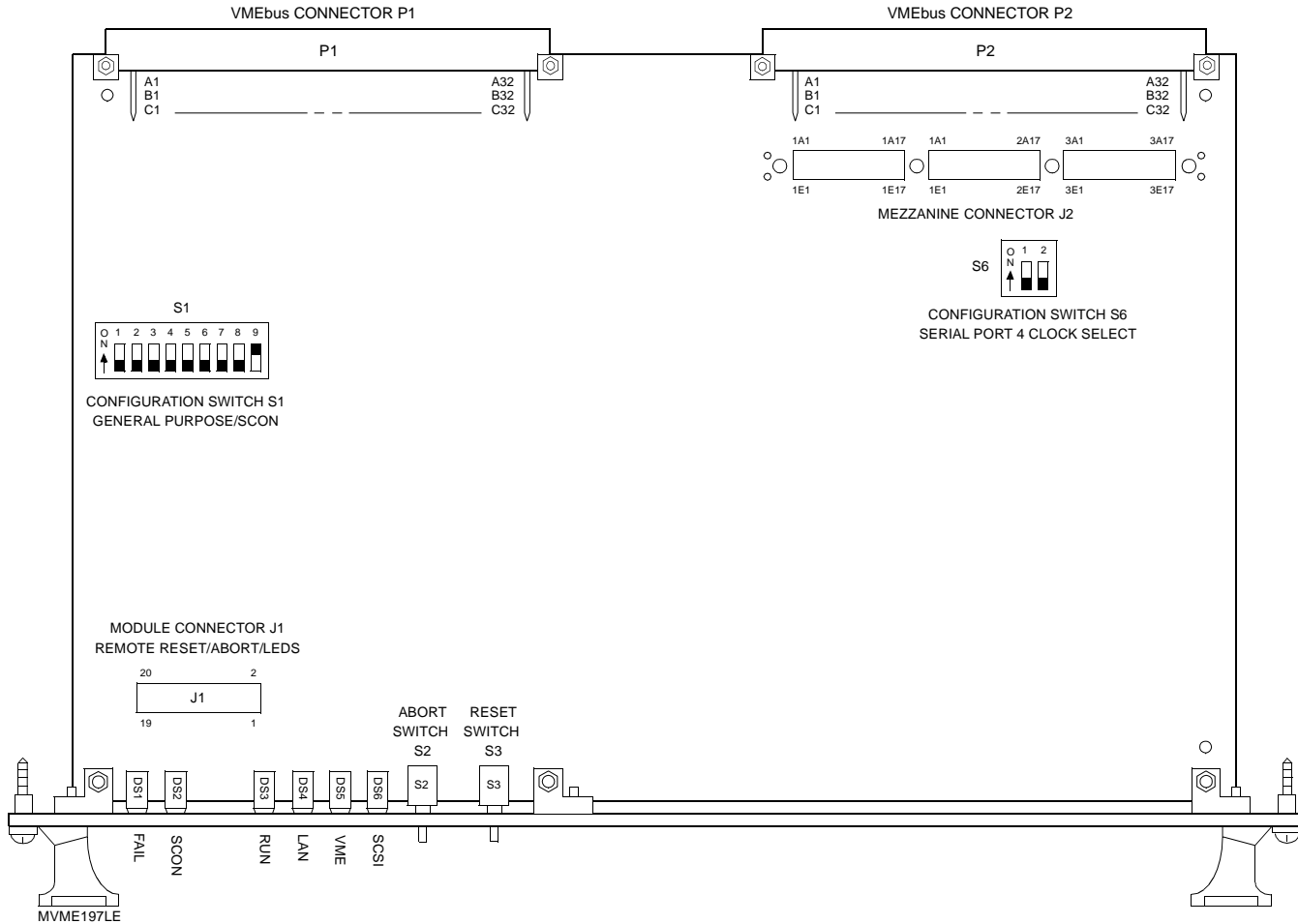


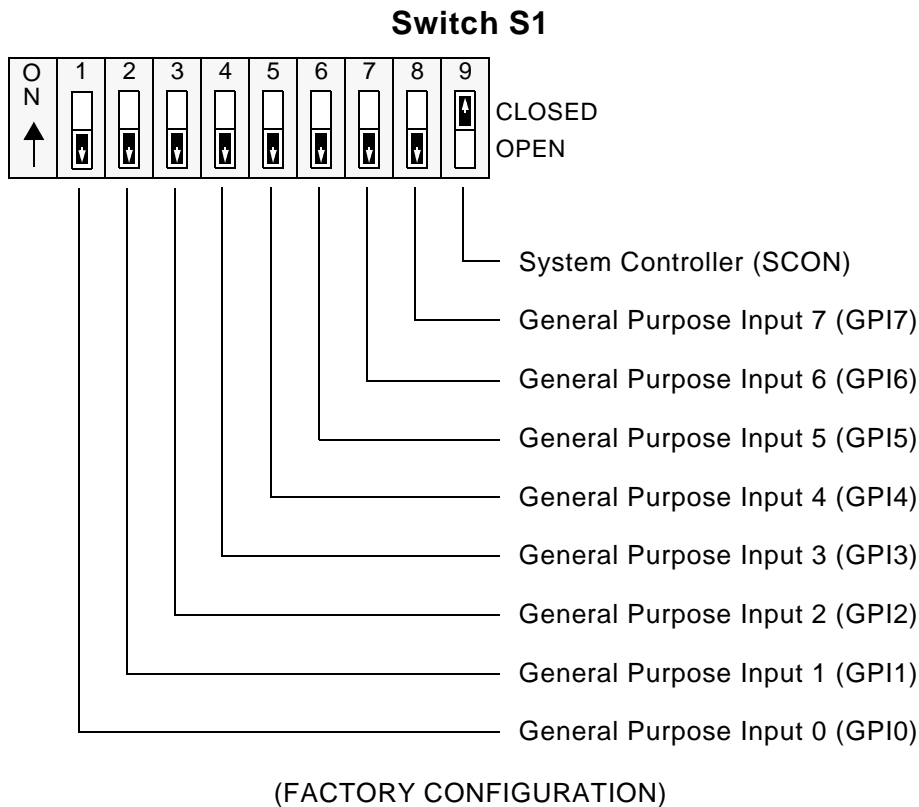
Figure 2-1. MVME197LE Switches, Connectors, and LED Indicators Location Diagram

Configuration Switches

The location of the switches, connectors, and LED indicators on the MVME197LE is illustrated in Figure 2-1. The MVME197LE has been factory tested and is shipped with factory switch settings that are described in the following sections. The MVME197LE operates with its required and factory-installed Debug Monitor, MVME197Bug (197Bug), with these factory switch setting.

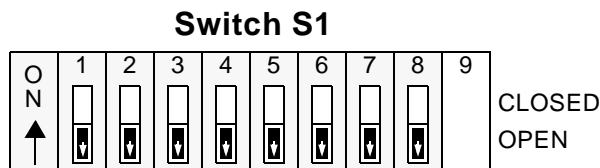
Configuration Switch S1: General Information

Switch S1 is a bank of nine two-way switch segments. The following illustration shows the factory configuration of switch S1. The bit values are read as a one when the switch is **OFF** (open), and as a zero when the switch is **ON** (closed). The default value for switch S1 is shown below.



Configuration Switch S1: General Purpose Functions (S1-1 to S1-8)

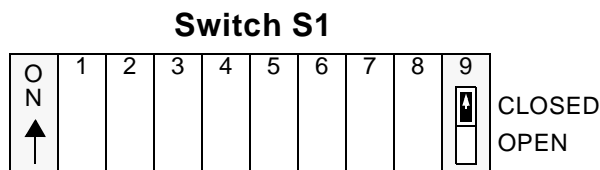
The eight General Purpose Input lines (GPIO-GPI7) on the MVME197LE may be configured with selectable switch segments S1-1 through S1-8. These switches can be read as a register (at \$FFF40088) in the VMEchip2 LCSR. Refer to the *VMEchip2* chapter in the *MVME197LE, MVME197DP, and MVME197SP Single Board Computers Programmer's Reference Guide* for the status of lines GPIO through GPI7. Factory configuration is with the general purposes input lines disabled (open).



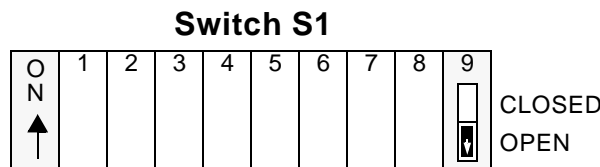
S1-1 to S1-8: **OFF** -- All Ones (FACTORY CONFIGURATION)

Configuration Switch S1: System Controller Enable Function (S1-9)

The MVME197LE can be the system controller. The system controller function is enabled or disabled by configuring selectable switch segment S1-9. When the MVME197LE is the system controller, the SCON LED is turned **ON**. The VMEchip2 may be configured as a system controller as illustrated below. Factory configuration is with the system controller switch enabled (closed).



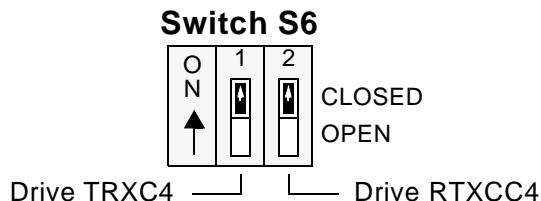
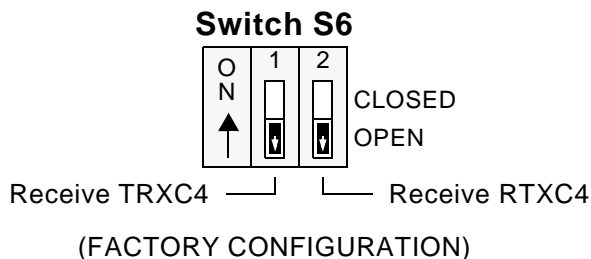
S1-9: **ON** -- MVME197 **IS** the System Controller
(FACTORY CONFIGURATION)



S1-9: **OFF** -- MVME197 **IS NOT** the System Controller

Configuration Switch S6: Serial Port 4 Clock Select (S6-1, S6-2)

Serial port 4 can be configured to use clock signals provided by the RTX4 and TRX4 signal lines. Switch segments S6-1 and S6-2 on the MVME197LE configures serial port 4 to drive or receive TRX4 and RTX4, respectively. Factory configuration is with serial port 4 set to receive both signals (open). The remaining configuration of the clock lines is accomplished by using the Serial Port 4 Clock Configuration Select header on the MVME712M transition module. Refer to the *MVME712M Transition Module and P2 Adapter Board User's Manual* for configuration of that header.

**Installation Instructions**

The following sections discuss installation of the MVME197LE into a VME chassis, and system considerations. Ensure that BOOT ROM device is installed. Ensure that all switches are configured as desired.

MVME197LE Module Installation

Now that the MVME197LE module is ready for installation, proceed as follows:

- a. Turn all equipment power **OFF** and disconnect the power cable from the power source.

Caution Inserting or removing modules while power is applied could result in damage to module components.



DANGEROUS VOLTAGES, CAPABLE OF CAUSING DEATH, ARE PRESENT IN THIS EQUIPMENT. USE EXTREME CAUTION WHEN HANDLING, TESTING, AND ADJUSTING.

- b. Remove the chassis cover as instructed in the equipment user's manual.
- c. Remove the filler panel(s) from the appropriate card slot(s) at the front and rear of the chassis (if the chassis has a rear card cage). The MVME197LE module requires power from both P1 and P2. It may be installed in any double-height unused card slot, if it is not configured as the system controller. If the MVME197LE is configured as the system controller, it must be installed in the left-most card slot (slot 1) to correctly initiate the bus-grant daisy-chain and to have proper operation of the IACK-daisy-chain driver. The MVME197LE is to be installed in the front of the chassis and the MVME712X transition board which has a double-wide front panel is to be installed in the rear of the chassis.
- d. Carefully slide the MVME197LE module into the card slot. Be sure the module is seated properly into the P1 and P2 connectors on the backplane. Do not damage or bend connector pins. Fasten the module in the chassis with screws provided, making good contact with the transverse mounting rails to minimize RFI emissions.
- e. Remove the IACK and BG jumpers from the header on the chassis backplane for the card slot in which the MVME197LE is installed.
- f. Connect the P2 Adapter Board and specified cable(s) to the MVME197LE at P2 on the backplane at the MVME197LE slot, to mate with (optional) terminals or other peripherals at the EIA-232-D serial ports, parallel port, SCSI ports, and LAN Ethernet port. Refer to the manuals listed in *Related Documentation* section for information on installing the P2 Adapter Board and the MVME712X transition module. (Some connection diagrams are

provided in the *MVME197LE, MVME197DP, and MVME197SP Single Board Computers Programmer's Reference Guide*). Some cable(s) are not provided with the MVME712X module and therefore, are made or provided by the user. (Motorola recommends using shielded cables for all connections to peripherals to minimize radiation). Connect the peripherals to the cable(s).

- g. Install any other required VMEmodules in the system.
- h. Replace the chassis cover.
- i. Connect the power cable to the ac power source and turn the equipment power **ON**.

System Considerations

The MVME197LE needs to draw power from both connectors P1 and P2 of the VMEbus backplane. Connector P2 is also used for the upper 16 bits of data for 32-bit transfers, and for the upper 8 address lines for the extended addressing mode. The MVME197LE may not operate properly without its main board connected to connectors P1 and P2 of the VMEbus backplane.

Whether the MVME197LE operates as a VMEbus master or as a VMEbus slave, it is configured for 32 bits of address and for 32 bits of data (A32/D32). However, it handles A16 or A24 devices in certain address ranges. D8 and/or D16 devices in the system must be handled by software. Refer to the memory maps in the *MVME197LE, MVME197DP, and MVME197SP Single Board Computers Programmer's Reference Guide*.

The MVME197LE contains shared onboard DRAM whose base address is software-selectable. Both the onboard processor and off-board VMEbus devices see this local DRAM at base physical address \$00000000, as programmed by the MVME197Bug firmware. This may be changed, by software, to any other base address. Refer to the *MVME197LE, MVME197DP, and MVME197SP Single Board Computers Programmer's Reference Guide* for details.

If the MVME197LE tries to access off-board resources in a non-existent location, and is not the system controller, and if the system does not have a global bus timeout, the MVME197LE waits forever for the VMEbus cycle to complete. This would cause the system to hang up. There is only one situation in which the system might lack this global bus timeout: when the MVME197LE is not the system controller and there is no global bus timeout elsewhere in the system.

Multiple MVME197LE modules may be configured into a single VME card cage. In general, hardware multiprocessor features are supported.

Other MPUs on the VMEbus can interrupt, disable, communicate with and determine the operational status of the RISC processor(s). One register of the GCSR set includes four bits which function as location monitors to allow one MVME197LE processor to broadcast a signal to other MVME197LE processors, if any. All eight registers are accessible from any local processor as well as from the VMEbus.

The MVME197LE provides +12 Vdc power to the Ethernet LAN transceiver interface through a 1 amp fuse (F2) located on the MVME197LE module. If the Ethernet transceiver fails to operate, check the fuse. When using the MVME712M transition module, the yellow LED (DS1) on the MVME712M front panel lights when LAN power is available, indicating that the fuse is good.

Overview of M88000 Firmware

The firmware for the M88000-based (88K) series of board and system level products has a common genealogy, deriving from the BUG firmware currently used on all Motorola M68000-based (68K) CPU modules. The M88000 firmware family provides a high degree of functionality and user friendliness, and yet stresses portability and ease of maintenance. This member of the M88000 firmware family is implemented on the MVME197LE Single Board Computer, and is known as the MVME197BUG, or just 197Bug.

Description of 197Bug

The 197Bug package, MVME197BUG, is a powerful evaluation and debugging tool for systems built around the MVME197 series of RISC-based microcomputers. Facilities are available for loading and executing user programs under complete operator control for system evaluation. 197Bug includes commands for display and modification of memory, breakpoint and tracing capabilities, a powerful assembler/disassembler useful for patching programs, and a self-test at power-up feature which verifies the integrity of the system. Various 197Bug routines that handle I/O, data conversion, and string functions are available to user programs through the TRAP #496 handler. The TRAP #496 handler is accessible through any of the trap exception commands TB0, TB1, TBND, and TCND, with trap vector #496.

197Bug consists of three parts:

- ❑ A command-driven user-interactive software debugger, described in a later chapter (*Using the 197Bug Debugger*) and hereafter referred to as “the debugger”.
- ❑ A command-driven diagnostic package for the MVME197LE hardware, described in the *MVME197BUG 197Bug Diagnostic Firmware User’s Manual* and hereafter referred to as “the diagnostics”.
- ❑ A user interface which accepts commands from the system console terminal.

When using 197Bug, the user operates out of either the debugger directory or the diagnostic directory. If the user is in the debugger directory, then the debugger prompt “**197-Bug>**” is displayed and the user has all of the debugger commands at his or her disposal. If in the diagnostic directory, then

the diagnostic prompt “**197-Diag>**” is displayed and the user has all of the diagnostic commands at his disposal as well as all of the debugger commands. The user may switch between directories by using the Switch Directories (**SD**) command, or may examine the commands in the particular directory that the user is currently in by using the Help (**HE**) command.

Because 197Bug is command-driven, it performs its various operations in response to user commands entered at the keyboard. When a command is entered, 197Bug executes the command and the prompt reappears. However, if a command is entered which causes execution of user target code (e.g., “**GO**”), then control may or may not return to 197Bug, depending on the outcome of the user program.

Comparison With M68000-Based Firmware

Those users who have used one or more of Motorola's other debugging packages will find 197Bug very similar, after making due allowances for the architectural differences between the M68000 and M88000 CPU architectures. These are primarily reflected in the instruction mnemonics and addressing modes of the assembler/disassembler, and in the use of registers instead of the stack for the passing of arguments to or from the TRAP #496 handler. Some effort has also been made to make the interactive commands more consistent. For example, delimiters between commands and arguments may now be commas or spaces interchangeably.

197Bug Implementation

MVME197BUG is written largely in the “C” programming language, providing benefits of portability and maintainability. Where necessary, assembler has been used in the form of separately compiled modules containing only assembler code - no mixed language modules are used.

Physically, 197Bug is contained in the onboard flash memory. The executable code is checksummed at every power-on or reset firmware entry, and the result (which includes a pre-calculated checksum contained in the flash memory), is tested for an expected zero. Thus, users are cautioned against modification of the flash memory unless re-checksum precautions are taken.

Installation and Start-up

Even though the MVME197Bug flash memory devices are installed on the MVME197LE module, for 197Bug to operate properly with the MVME197LE, follow this set-up procedure.

Caution Inserting or removing modules while power is applied could damage module components.

1. Turn all equipment power OFF. Refer to the *Hardware Preparation and Installation* chapter in this manual for selecting the configuration switch settings required for the user's particular application.
2. Refer to the set-up procedure for the user's particular chassis or system for details concerning the installation of the MVME197LE.
3. Connect the terminal which is to be used as the 197Bug system console to the default debug EIA-232-D port at serial port 1 on backplane connector P2 through an MVME712X transition module. Refer to the *MVME197LE, MVME197DP, and MVME197SP Single Board Computers Programmer's Reference Guide* for some possible connection diagrams. Set up the terminal as follows:
 - eight bits per character
 - one stop bit per character
 - parity disabled (no parity)
 - baud rate 9600 baud (default baud rate of the MVME197LE ports at power-up)

After power-up, the baud rate of the debug port can be reconfigured by using the Port Format (**PF**) command of the 197Bug debugger.

Note In order for high-baud rate serial communication between 197Bug and the terminal to work, the terminal must do some form of handshaking. If the terminal being used does not do hardware handshaking via the CTS line, then it must do XON/XOFF handshaking. If the user gets garbled messages and missing characters, then the user should check the terminal to make sure XON/XOFF handshaking is enabled.

4. If it is desired to connect devices (such as a host computer system and/or a serial printer) to the other EIA-232-D port connectors (marked SERIAL PORTS 2, 3, and 4 on the MVME712X transition module), connect the appropriate cables and configure the port(s) as detailed in step 3 above. After power-up, this(these) port(s) can be reconfigured by programming the MVME197LE CD2401 Serial Controller Chip (SCC), or by using the 197Bug **PF** command.

Note that the MVME197LE also contains a parallel port. To use a parallel device, such as a printer, with the MVME197LE, connect it to the “printer” port at P2 through an MVME712X transition module. Refer to the *MVME197LE, MVME197DP, and MVME197SP Single Board Computers Programmer’s Reference Guide* for some possible connection diagrams. However, you could also use a module such as the MVME335 for a parallel port connection.

5. Power up the system. 197Bug executes some self-checks and displays the debugger prompt “**197-Bug**>” (if 197Bug is in Board Mode). However, if the **ENV** command has put 197Bug in System Mode, the system performs a self test and tries to autoboot. Refer to the **ENV** and **MENU** commands. They are listed in Table 4-1.

If the confidence test fails, the test is aborted when the first fault is encountered. If possible, an appropriate message is displayed, and control then returns to the menu.

Autoboot

Autoboot is a software routine that is contained in the 197Bug to provide an independent mechanism for booting an operating system. This autoboot routine automatically scans for controllers and devices in a specified sequence until a valid bootable device containing a boot media is found or the list is exhausted. If a valid bootable device is found, a boot from that device is started. The controller scanning sequence goes from the lowest controller Logical Unit Number (LUN) detected to the highest LUN detected. (Refer to Appendix B for default LUNs).

At power-up, Autoboot is enabled, and providing the drive and controller numbers encountered are valid, the following message is displayed upon the system console:

```
“Autoboot in progress... To abort hit <BREAK>”
```

Following this message there is approximately a thirty-second delay while the debug firmware waits for the various controllers and drives to come up to speed. Then the actual I/O is begun: the program pointed to within the volume ID of the media specified is loaded into RAM and control passed to it. If, however, during this time the user wants to gain control without Autoboot, the <BREAK> key or the software ABORT or RESET switches can be pressed.

Autoboot is controlled by parameters contained in the **ENV** command. These parameters allow the selection of specific boot devices and files, and allow programming of the Boot delay. Refer to the **ENV** command in Appendix A for more details.

Caution Although streaming tape can be used to autoboot, the same power supply must be connected to the streaming tape drive, controller, and the MVME197LE. At power-up, the tape controller will position the streaming tape to load point where the volume ID can correctly be read and used.

If, however, the MVME197LE loses power but the controller does not, and the tape happens not to be at load point, the sequences of commands required (attach and rewind) cannot be given to the controller and autoboot will not be successful.

ROMboot

This function is configured/enabled by the Environment (**ENV**) command and executed at power-up (optionally also at reset) or by the **RB** command assuming there is valid code in the flash memories (or optionally elsewhere on the module or VMEbus) to support it. If ROMboot code is installed, a user-written routine is given control (if the routine meets the format requirements). One use of ROMboot might be resetting SYSFAIL* on an unintelligent controller module. The **NORB** command disables the function.

For a user's ROMboot module to gain control through the ROMboot linkage, four requirements must be met:

1. Power must have just been applied (but the **ENV** command can change this to also respond to any reset).
2. The user's routine must be located within the MVME197LE ROM memory map (but the **ENV** command can change this to any other portion of the onboard memory, or even offboard VMEbus memory).
3. The ASCII string "BOOT" must be located within the specified memory range.
4. The user's routine must pass a checksum test, which ensures that this routine was really intended to receive control at power-up.

For complete details on how to use ROMboot, refer to the *MVME197BUG 197Bug Debugging Package User's Manual*.

Network Boot

Network Auto Boot is a software routine contained in the 197Bug that provides a mechanism for booting an operating system using a network (local Ethernet interface) as the boot device. The Network Auto Boot routine

automatically scans for controllers and devices in a specified sequence until a valid bootable device containing a boot media is found or the list is exhausted. If a valid bootable device is found, a boot from that device is started. The controller scanning sequence goes from the lowest controller Logical Unit Number (LUN) detected to the highest LUN detected. (Refer to Appendix C for default LUNs).

At power-up, Network Boot is enabled, and providing the drive and controller numbers encountered are valid, the following message is displayed upon the system console:

```
"Network Boot in progress... To abort hit <BREAK>"
```

Following this message there is approximately a thirty-second delay while the debug firmware waits for the various controllers and drives to come up to speed. Then the actual I/O is begun: the program pointed to within the volume ID of the media specified is loaded into RAM and control passed to it. If, however, during this time you want to gain control without Network Boot, you can press the <BREAK> key or the software ABORT or RESET switches.

Network Auto Boot is controlled by parameters contained in the **NIOT** and **ENV** commands. These parameters allow the selection of specific boot devices, systems, and files, and allow programming of the Boot delay. Refer to the **ENV** command in Appendix A for more details.

Restarting the System

The user can initialize the system to a known state in three different ways: reset, abort, and break. Each has characteristics which make it more appropriate than the others in certain situations.

The debugger has a special feature upon a reset condition. This feature is activated by depressing the RESET and ABORT switches at the same time. This feature instructs the debugger to use the default setup/operation parameters in ROM versus the user's setup/operation parameters in NVRAM. This feature can be used in the event the user's setup/operation parameters are corrupted or do not meet a sanity check. Refer to the **ENV** command (Appendix A) for the ROM defaults.

Reset

Pressing and releasing the MVME197LE front panel RESET switch initiates a system reset. COLD and WARM reset modes are available and are selected by using the RESET command. By default, 197Bug is in COLD mode. During COLD reset, a total system initialization takes place, as if the MVME197LE had

just been powered up. All static variables (including disk device and controller parameters) are restored to their default states. The breakpoint table and offset registers are cleared. The target registers are invalidated. Input and output character queues are cleared. Onboard devices (timer, serial ports, etc.) are reset, and the *first* two serial ports are reconfigured to their default state.

During WARM reset, the 197Bug variables and tables are preserved, as well as the target state registers and breakpoints.

Reset must be used if the processor ever halts, or if the 197Bug environment is ever lost (vector table is destroyed, stack corrupted, etc.).

Abort

Abort is invoked by pressing and releasing the ABORT switch on the MVME197LE front panel. Whenever abort is invoked when executing a user program (running target code), a “snapshot” of the processor state is captured and stored in the target registers. (When working in the debugger, abort captures and stores only the Instruction Pointer (IP), status register, and format/vector information). For this reason, abort is most appropriate when terminating a user program that is being debugged. Abort should be used to regain control if the program gets caught in a loop, etc. The target IP, register contents, etc., help to pinpoint the malfunction.

Pressing and releasing the ABORT switch generates a local board condition which may interrupt the processor if enabled. The target registers, reflecting the machine state at the time the ABORT switch was pressed, are displayed on the screen. Any breakpoints installed in the user code are removed and the breakpoint table remains intact. Control is returned to the debugger.

Break

A “Break” is generated by pressing and releasing the BREAK key on the terminal keyboard. Break does not generate an interrupt. The only time break is recognized is when characters are sent or received by the console port. Break removes any breakpoints in the user code and keeps the breakpoint table intact. Break also takes a snapshot of the machine state if the function was entered using SYSCALL. This machine state is then accessible to the user for diagnostic purposes.

Many times it is desired to terminate a debugger command prior to its completion, for example, the display of a large block of memory. Break allows the user to terminate the command.

SYSFAIL* Assertion/Negation

Upon a reset/power up condition the debugger asserts the VMEbus SYSFAIL* line (refer to the VMEbus specification). SYSFAIL* stays asserted if any of the following has occurred:

- confidence test failure
- NVRAM checksum error
- NVRAM low battery condition
- local memory configuration status
- self test (if system mode) has completed with error
- MPU clock speed calculation failure

After debugger initialization is done and any of the above situations has not occurred, the SYSFAIL* line is negated. This indicates to the user or VMEbus masters the state of the debugger. In a multi-computer configuration, other VMEbus masters could view the pertinent control and status registers to determine which CPU is asserting SYSFAIL*. SYSFAIL* assertion/negation is also affected by the **ENV** command. Refer to Appendix A.

MPU Clock Speed Calculation

The clock speed of the microprocessor is calculated and checked against a user definable parameter housed in NVRAM (refer to the **ENV** command). If the check fails, a warning message is displayed. The calculated clock speed is also checked against known clock speeds and tolerances.

Memory Requirements

The program portion of 197Bug is approximately 1 megabyte of code, consisting of download, debugger, and diagnostic packages and contained entirely in the flash memory. The flash memory on the MVME197LE is mapped starting at location \$FF800000.

197Bug requires a minimum of 64KB of contiguous read/write memory to operate.

The **ENV** command controls where this block of memory is located. Regardless of where the onboard RAM is located, the first 64KB is used for 197Bug stack and static variable space and the rest is reserved as user space. Whenever the MVME197LE is reset, the target IP is initialized to the address corresponding to the beginning of the user space, and the target stack pointers are initialized to addresses within the user space, with the target Pseudo Stack Pointer (R31) set to the top of the user space.

Terminal Input/Output Control

When entering a command at the prompt, the following control codes may be entered for limited command line editing.

Note The presence of the upward caret, “^”, before a character indicates that the Control (CTRL) key must be held down while striking the character key.

| | | |
|--------------------|--------------------|---|
| ^X | (cancel line) | The cursor is backspaced to the beginning of the line. If the terminal port is configured with the hardcopy or TTY option (refer to the PF command), then a carriage return and line feed is issued along with another prompt. |
| ^H | (backspace) | The cursor is moved back one position. The character at the new cursor position is erased. If the hardcopy option is selected, a “/” character is typed along with the deleted character. |
| | (delete or rubout) | Performs the same function as ^H . |
| ^D | (redisplay) | The entire command line as entered so far is redisplayed on the following line. |
| ^A | (repeat) | Repeats the previous line. This happens only at the command line. The last line entered is redisplayed but not executed. The cursor is positioned at the end of the line. You may enter the line as is or you can add more characters to it. You can edit the line by backspacing and typing over old characters. |

When observing output from any 197Bug command, the XON and XOFF characters which are in effect for the terminal port may be entered to control the output, if the XON/XOFF protocol is enabled (default). These characters are initialized to **^S** and **^Q** respectively by 197Bug but may be changed by the user using the **PF** command. In the initialized (default) mode, operation is as follows:

| | | |
|-----------|----------|----------------------------|
| ^S | (wait) | Console output is halted. |
| ^Q | (resume) | Console output is resumed. |

Disk I/O Support

197Bug can initiate disk input/output by communicating with intelligent disk controller modules over the VMEbus. Disk support facilities built into 197Bug consist of command-level disk operations, disk I/O system calls (only via one of the TRAP #496 instructions) for use by user programs, and defined data structures for disk parameters.

Parameters such as the address where the module is mapped and the type and number of devices attached to the controller module are kept in tables by 197Bug. Default values for these parameters are assigned at power-up and cold-start reset, but may be altered as described in the section on default parameters, later in this chapter.

Appendix B contains a list of the controllers presently supported, as well as a list of the default configurations for each controller.

Blocks Versus Sectors

The logical block defines the unit of information for disk devices. A disk is viewed by 197Bug as a storage area divided into logical blocks. By default, the logical block size is set to 256 bytes for every block device in the system. The block size can be changed on a per device basis with the **IOT** command.

The sector defines the unit of information for the media itself, as viewed by the controller. The sector size varies for different controllers, and the value for a specific device can be displayed and changed with the **IOT** command.

When a disk transfer is requested, the start and size of the transfer is specified in blocks. 197Bug translates this into an equivalent sector specification, which is then passed on to the controller to initiate the transfer. If the conversion from blocks to sectors yields a fractional sector count, an error is returned and no data is transferred.

Device Probe Function

A device probe with entry into the device descriptor table is done whenever a specified device is accessed; i.e., when system calls **.DSKRD**, **.DSKWR**, **.DSKCFIG**, **.DSKFMT**, and **.DSKCTRL**, and debugger commands **BH**, **BO**, **IOC**, **IOP**, **IOT**, **MAR**, and **MAW** are used.

The device probe mechanism utilizes the SCSI commands “Inquiry” and “Mode Sense”. If the specified controller is non-SCSI, the probe simply returns a status of “device present and unknown”. The device probe makes an entry into the device descriptor table with the pertinent data. After an entry has been

made, the next time a probe is done it simply returns with “device present” status (pointer to the device descriptor).

Disk I/O via 197Bug Commands

These following 197Bug commands are provided for disk I/O. Detailed instructions for their use are found in the *MVME197BUG 197Bug Debugging Package User's Manual*. When a command is issued to a particular controller LUN and device LUN, these LUNs are remembered by 197Bug so that the next disk command defaults to use the same controller and device.

IOI (Input/Output Inquiry)

IOI allows the user to probe the system for all possible CLUN/DLUN combinations and display inquiry data for devices which support it. The device descriptor table only has space for 16 device descriptors; with the **IOI** command, the user can view the table and clear it if necessary.

IOP (Physical Input/Output to Disk)

IOP allows the user to read or write blocks of data, or to format the specified device in a certain way. **IOP** creates a command packet from the arguments specified by the user, and then invokes the proper system call function to carry out the operation.

IOT (Input/Output Teach)

IOT allows the user to change any configurable parameters and attributes of the device. In addition, it allows the user to see the controllers available in the system.

IOC (Input/Output Control)

IOC allows the user to send command packets as defined by the particular controller directly. **IOC** can also be used to look at the resultant device packet after using the **IOP** command.

BO (Bootstrap Operating System)

BO reads an operating system or control program from the specified device into memory, and then transfers control to it.

BH (Bootstrap and Halt)

BH reads an operating system or control program from a specified device into memory, and then returns control to 197Bug. It is used as a debugging tool.

Disk I/O via 197Bug System Calls

All operations that actually access the disk are done directly or indirectly by 197Bug TRAP #496 system calls. (The command-level disk operations provide a convenient way of using these system calls without writing and executing a program).

The following system calls are provided to allow user programs to do disk I/O:

| | |
|----------|--|
| .DSKRD | Disk read. System call to read blocks from a disk into memory. |
| .DSKWR | Disk write. System call to write blocks from memory onto a disk. |
| .DSKCFIG | Disk configure. This function allows the user to change the configuration of the specified device. |
| .DSKFMT | Disk format. This function allows the user to send a format command to the specified device. |
| .DSKCTRL | Disk control. This function is used to implement any special device control functions that cannot be accommodated easily with any of the other disk functions. |

Refer to the *MVME197BUG 197Bug Debugging Package User's Manual* for information on using these and other system calls.

To perform a disk operation, 197Bug must eventually present a particular disk controller module with a controller command packet which has been especially prepared for that type of controller module. (This is accomplished in the respective controller driver module). A command packet for one type of controller module usually does not have the same format as a command packet for a different type of module. The system call facilities which do disk I/O accept a generalized (controller-independent) packet format as an argument, and translate it into a controller-specific packet, which is then sent to the specified device. Refer to the system call descriptions found in the *MVME197BUG 197Bug Debugging Package User's Manual* for details on the format and construction of these standardized "user" packets.

The packets which a controller module expects to be given vary from controller to controller. The disk driver module for the particular hardware module (board) must take the standardized packet given to a trap function and create a new packet which is specifically tailored for the disk drive controller it is sent to. Refer to documentation on the particular controller module for the format of its packets, and for using the **IOC** command.

Default 197Bug Controller and Device Parameters

197Bug initializes the parameter tables for a default configuration of controllers and devices (refer to Appendix B). If the system needs to be configured differently than this default configuration (for example, to use a 70MB Winchester drive where the default is a 40MB Winchester drive), then these tables must be changed.

There are three ways to change the parameter tables:

- ❑ Using **BO** or **BH**. When the user invokes one of these commands, the configuration area of the disk is read and the parameters corresponding to that device are rewritten according to the parameter information contained in the configuration area. This is a temporary change. If a cold-start reset occurs, then the default parameter information is written back into the tables.
- ❑ Using **IOT**. The user can use this command to manually reconfigure the parameter table for any controller and/or device that is different from the default. This is also a temporary change and is overwritten if a cold-start reset occurs.
- ❑ Obtain the source. The user may change the configuration files and rebuild 197Bug so that it has different defaults. Changes made to the defaults are permanent until changed again.

Disk I/O Error Codes

197Bug returns an error code if an attempted disk operation is unsuccessful.

Network I/O Support

The Network Boot Firmware provides the capability to boot the CPU through the ROM debugger using a network (local Ethernet interface) as the boot device.

The booting process is executed in two distinct phases.

- ❑ The first phase allows the diskless remote node to discover its network identity and the name of the file to be booted.
- ❑ The second phase has the diskless remote node reading the boot file across the network into its memory.

The various modules (capabilities) and the dependencies of these modules that support the overall network boot function are described in the following paragraphs.

Physical Layer Manager Ethernet Driver

This driver manages/surrounds the Ethernet controller chip or board. Management is in the scope of the reception of packets, the transmission of packets, receive buffer flushing, and interface initialization.

This module ensures that the packaging and unpackaging of Ethernet packets is done correctly in the Boot PROM.

UDP/IP Protocol Modules

The Internet Protocol (IP) is designed for use in interconnected systems of packet-switched computer communication networks. The Internet protocol provides for transmitting of blocks of data called datagrams (hence User Datagram Protocol, or UDP) from sources to destinations, where sources and destinations are hosts identified by fixed length addresses.

The UDP/IP protocols are necessary for the TFTP and BOOTP protocols, TFTP and BOOTP require a UDP/IP connection.

RARP/ARP Protocol Modules

The Reverse Address Resolution Protocol (RARP) basically consists of an identity-less node broadcasting a “whoami” packet onto the Ethernet, and waiting for an answer. The RARP server fills an Ethernet reply packet up with the target's Internet Address and sends it.

The Address Resolution Protocol (ARP) basically provides a method of converting protocol addresses (e.g., IP addresses) to local area network addresses (e.g., Ethernet addresses). The RARP protocol module supports systems which do not support the BOOTP protocol (next paragraph).

BOOTP Protocol Module

The Bootstrap Protocol (BOOTP) basically allows a diskless client machine to discover its own IP address, the address of a server host, and the name of a file to be loaded into memory and executed.

TFTP Protocol Module

The Trivial File Transfer Protocol (TFTP) is a simple protocol to transfer files. It is implemented on top of the Internet User Datagram Protocol (UDP or Datagram) so it may be used to move files between machines on different networks implementing UDP. The only thing it can do is read and write files from/to a remote server.

Network Boot Control Module

The “control” capability of the Network Boot Control Module is needed to tie together all the necessary modules (capabilities) and to sequence the booting process. The booting sequence consists of two phases: the first phase is labeled “address determination and bootfile selection” and the second phase is labeled “file transfer”. The first phase will utilize the RARP/BOOTP capability and the second phase will utilize the TFTP capability.

Network I/O Error Codes

197Bug returns an error code if an attempted network operation is unsuccessful.

Multiprocessor Support

The MVME197LE dual-port RAM feature makes the shared RAM available to remote processors as well as to the local processor. This can be done by either of the following two methods. Either method can be enabled/disabled by the **ENV** command as its Remote Start Switch Method (refer to Appendix A).

Multiprocessor Control Register (MPCR) Method

A remote processor can initiate program execution in the local MVME197LE dual-port RAM by issuing a remote **GO** command using the Multiprocessor Control Register (MPCR). The MPCR, located at shared RAM location of \$3000 offset from the base address the debugger loads it at, contains one of two words used to control communication between processors. The MPCR contents are organized as follows:

| | | | | | |
|--------|---|-----|-----|-----|--------|
| \$3000 | * | N/A | N/A | N/A | (MPCR) |
|--------|---|-----|-----|-----|--------|

The status codes stored in the MPCR are of two types:

- Status returned (from the monitor)
- Status set (by the bus master)

The status codes that may be returned from the monitor are:

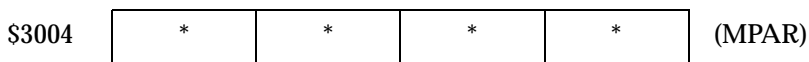
| | | | |
|-------|---|----------|---|
| HEX | 0 | (HEX 00) | Wait. Initialization not yet complete. |
| ASCII | R | (HEX 52) | Ready. The firmware monitor is watching for a change. |
| ASCII | E | (HEX 45) | Code pointed to by the MPAR address is executing. |

The status codes that may be set by the bus master are:

ASCII G (HEX 47) Use Go Direct (**GD**) logic specifying the MPAR address.

ASCII B (HEX 42) Install breakpoints using the Go (**G**) logic.

The Multiprocessor Address Register (MPAR), located in shared RAM location of \$3004 offset from the base address the debugger loads it at, contains the second of two words used to control communication between processors. The MPAR contents specify the address at which execution for the remote processor is to begin if the MPCR contains a G or B. The MPAR is organized as follows:



At power up, the debug monitor self-test routines initialize RAM, including the memory locations used for multi-processor support (\$3000 through \$3007).

The MPCR contains \$00 at power-up, indicating that initialization is not yet complete. As the initialization proceeds, the execution path comes to the “prompt” routine. Before sending the prompt, this routine places an R in the MPCR to indicate that initialization is complete. Then the prompt is sent.

If no terminal is connected to the port, the MPCR is still polled to see whether an external processor requires control to be passed to the dual-port RAM. If a terminal does respond, the MPCR is polled for the same purpose while the serial port is being polled for user input.

An ASCII G placed in the MPCR by a remote processor indicates that the Go Direct type of transfer is requested. An ASCII B in the MPCR indicates that breakpoints are to be armed before control is transferred (as with the **GO** command).

In either sequence, an E is placed in the MPCR to indicate that execution is underway just before control is passed to RAM. (Any remote processor could examine the MPCR contents.)

If the code being executed in dual-port RAM is to reenter the debug monitor, a TRAP #496 call using function \$0063 (SYSCALL .RETURN) returns control to the monitor with a new display prompt. Note that every time the debug monitor returns to the prompt, an R is moved into the MPCR to indicate that control can be transferred once again to a specified RAM location.

GCSR Method

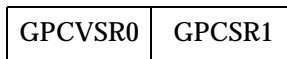
A remote processor can initiate program execution in the local MVME197LE dual-port RAM by issuing a remote **GO** command using the VMEchip2 Global Control and Status Register (GCSR). The remote processor places the MVME197LE execution address in general purpose registers 0 and 1 (GPCSR0 and GPCSR1). The remote processor then sets bit 8 (SIG0) of the VMEchip2 LM/SIG register. This causes the MVME197LE to install breakpoints and begin execution. The result is identical to the MPCR method (with status code B) described in the previous section.

The GCSR registers are accessed in the VMEbus short I/O space. Each general purpose register is two bytes wide, occurring at an even address. The general purpose register number 0 is at an offset of \$8 (local peripheral bus) or \$4 (VMEbus) from the start of the GCSR registers. The local peripheral bus base address for the GCSR is \$FFF40100. The VMEbus base address for the GCSR depends on the group select value and the board select value programmed in the Local Control and Status Registers (LCSR) of the MVME197LE. The execution address is formed by reading the GCSR general purpose registers in the following manner:

GPCSR0 used as the upper 16 bits of the address

GPCSR1 used as the lower 16 bits of the address

The address appears as:



Diagnostic Facilities

Included in the 197Bug package is a complete set of hardware diagnostics intended for testing and troubleshooting of the MVME197LE (refer to the *MVME197 Single Board Computer Diagnostic Firmware User's Manual*). In order to use the diagnostics, the user must switch directories to the diagnostic directory. If in the debugger directory, the user can switch to the diagnostic directory by entering the debugger command Switch Directories (**SD**). The diagnostic prompt ("**197-Diag>**") should appear. Refer to the *MVME197 Single Board Computer Diagnostic Firmware User's Manual* for complete descriptions of the diagnostic routines available and instructions on how to invoke them. Note that some diagnostics depend on restart defaults that are set up only in a particular restart mode. Refer to the documentation on a particular diagnostic for the correct mode.

Entering Debugger Command Lines

197Bug is command-driven and performs its various operations in response to user commands entered at the keyboard. When the debugger prompt (**197-Bug>**) appears on the terminal screen, then the debugger is ready to accept commands.

As the command line is entered, it is stored in an internal buffer. Execution begins only after the carriage return is entered, thus allowing the user to correct entry errors, if necessary, using the control characters described in the *Debugger General Information* chapter in this guide.

When a command is entered, the debugger executes the command and the prompt reappears. However, if the command entered causes execution of user target code, for example **GO**, then control may or may not return to the debugger, depending on what the user program does. For example, if a breakpoint has been specified, then control returns to the debugger when the breakpoint is encountered during execution of the user program. Alternately, the user program could return to the debugger by means of the TRAP #496 function “.RETURN”.

In general, a debugger command is made up of the following parts:

1. The command identifier (i.e., **MD** or **md** for the Memory Display command). Note that either upper- or lowercase is allowed.
2. A port number if the command is set up to work with more than one port.
3. At least one intervening space before the first argument.
4. Any required arguments, as specified by command.
5. An option field, set off by a semicolon (;) to specify conditions other than the default conditions of the command.

The commands are shown using a modified Backus-Naur form syntax. The meta symbols used are:

| | |
|-------------------------|---|
| boldface strings | A boldface string is a literal such as a command or a program name, and is to be typed just as it appears. |
| <i>italic strings</i> | An italic string is a “syntactic variable” and is to be replaced by one of a class of items it represents. |
| | A vertical bar separating two or more items indicates that a choice is to be made; only one of the items separated by this symbol should be selected. |
| [] | Square brackets enclose an item that is optional. The item may appear zero or one time. |
| { } | Braces enclose an optional symbol that may occur zero or more times. |

Syntactic Variables

The following syntactic variables are encountered in the command descriptions which follow. In addition, other syntactic variables may be used and are defined in the particular command description in which they occur.

| | |
|--------------|---|
| <i>DEL</i> | Delimiter; either a comma or a space. |
| <i>EXP</i> | Expression (described in detail in a following section). |
| <i>ADDR</i> | Address (described in detail in a following section). |
| <i>COUNT</i> | Count; the syntax is the same as for <i>EXP</i> . |
| <i>RANGE</i> | A range of memory addresses which may be specified either by <i>ADDR DEL ADDR</i> or by <i>ADDR : COUNT</i> . |
| <i>TEXT</i> | An ASCII string of up to 255 characters, delimited at each end by the single quote mark ('). |

Expression as a Parameter

An expression can be one or more numeric values separated by the arithmetic operators: plus (+), minus (-), multiplied by (*), divided by (/), logical AND (&), shift left (<<), or shift right (>>)

Numeric values may be expressed in either hexadecimal, decimal, octal, or binary by immediately preceding them with the proper base identifier.

| Data Type | Base | Identifier | Examples |
|-----------|-------------|------------|---------------|
| Integer | Hexadecimal | \$ | \$FFFFFFFF |
| Integer | Decimal | & | &1974, &10-&4 |
| Integer | Octal | @ | @456 |
| Integer | Binary | % | %1000110 |

If no base identifier is specified, then the numeric value is assumed to be hexadecimal.

A numeric value may also be expressed as a string literal of up to four characters. The string literal must begin and end with the single quote mark ('). The numeric value is interpreted as the concatenation of the ASCII values of the characters. This value is right-justified, as any other numeric value would be.

| String Literal | Numeric Value (In Hexadecimal) |
|----------------|--------------------------------|
| 'A' | 41 |
| 'ABC' | 414243 |
| 'TEST' | 54455354 |

Evaluation of an expression is always from left to right unless parentheses are used to group part of the expression. There is no operator precedence. Subexpressions within parentheses are evaluated first. Nested parenthetical subexpressions are evaluated from the inside out. Valid expression examples:

| Expression | Result (In Hexadecimal) | Notes |
|-----------------|-------------------------|-------------|
| FF0011 | FF0011 | |
| 45+99 | DE | |
| &45+&99 | 90 | |
| @35+@67+@10 | 5C | |
| %10011110+%1001 | A7 | |
| 88<<4 | 880 | shift left |
| AA&F0 | A0 | logical AND |

The total value of the expression must be between 0 and \$FFFFFFFF.

Address as a Parameter

Many commands use *ADDR* as a parameter. The syntax accepted by 197Bug is similar to the one accepted by the one-line assembler. All control addressing modes are allowed. An “address + offset register” mode is also provided.

Address Formats

Addresses are entered as a hexadecimal number, e.g., 20000 would correspond to address \$00020000. The address, or starting address of a range, can be qualified by a suffix of the form **^S**, **^s**, **^U**, or **^u**, where **S** or **s** defines Supervisor address space, and **U** or **u** defines user address space. The default, when the qualifier is not specified, is Supervisor.

Once a qualifier has been entered, it remains valid for all addresses entered for that command sequence, until the 197Bug is re-entered or another qualifier is provided.

An alternate form of Address is **Rnn**, which tells the bug to use the address contained in CPU Register Rnn, where nn=00 through 31 (i.e., 00, 01, ..., or 31).

Hence *ADDR:= Hex Number*{**[^S]** | **[^s]** | **[^U]** | **[^u]**} | **Rnn**

Note

In commands with *RANGE* specified as *ADDR DEL ADDR*, and with size option **H** or **W** chosen, data at the second (ending) address is acted on only if the second address is a proper boundary for a half-word or word, respectively. Otherwise, the range is truncated so that the last byte acted upon is at an address that is a proper boundary.

Offset Registers

Eight pseudo-registers (Z0-Z7) called offset registers are used to simplify the debugging of relocatable and position-independent modules. The listing files in these types of programs usually start at an address (normally 0) that is not the one at which they are loaded, so it is harder to correlate addresses in the listing with addresses in the loaded program. The offset registers solve this problem by taking into account this difference and forcing the display of addresses in a relative address+offset format. Offset registers have adjustable ranges and may even have overlapping ranges. The range for each offset register is set by two addresses: base and top. Specifying the base and top addresses for an offset register sets its range. In the event that an address falls in two or more offset registers' ranges, the one that yields the least offset is chosen.

Note Relative addresses are limited to 1MB (5 digits), regardless of the range of the closest offset register.

Port Numbers

Some 197Bug commands give the user the option to choose the port to be used to input or output. Valid port numbers which may be used for these commands are:

1. MVME197LE EIA-232-D Debug (Terminal Port 0 or 00) (PORT 1 on the MVME197LE P2 connector). Sometimes known as the “console port”, it is used for interactive user input/output by default.
2. MVME197LE EIA-232-D (Terminal Port 1 or 01) (PORT 2 on the MVME197LE P2 connector). Sometimes known as the “host port”, this is the default for downloading, uploading, concurrent mode, and transparent modes.

Note These logical port numbers (0 and 1) are shown in the pinouts of the MVME197 module as “SERIAL PORT 1” and “SERIAL PORT 2”, respectively. Physically, they are all part of connector P2.

Entering and Debugging Programs

There are various ways to enter a user program into system memory for execution. One way is to create the program using the Memory Modify (**MM**) command with the assembler/disassembler option. The program is entered by the user one source line at a time. After each source line is entered, it is assembled and the object code is loaded to memory. Refer to the *MVME197BUG 197Bug Debugging Package User's Manual* for complete details of the 197Bug Assembler/Disassembler.

Another way to enter a program is to download an object file from a host system. The program must be in S-record format (described in the *MVME197BUG 197Bug Debugging Package User's Manual*) and may have been assembled or compiled on the host system. Alternately, the program may have been previously created using the 197Bug **MM** command as outlined above and stored to the host using the Dump (**DU**) command. A communication link must exist between the host system and the MVME197 port 1. (Hardware configuration details are in the *Installation and Start-up* section in the *Debugger General Information* chapter of this guide). The file is downloaded from the host to MVME197LE memory by the Load (**LO**) command.

Other ways are by reading in the program from disk, using one of the disk commands (**BO**, **BH**, **IOP**), or by reading the program as a file from a remote computer on a network, using one of the network commands, such as **NIOP**. Once the object code has been loaded into memory, the user can set breakpoints if desired and run the code or trace through it.

Calling System Utilities From User Programs

A convenient way of doing character input/output and many other useful operations has been provided so that the user does not have to write these routines into the target code. The user has access to various 197Bug routines via one of the MC88110 TRAP instructions, using vector #496. Refer to the *MVME197BUG 197Bug Debugging Package User's Manual* for details on the various TRAP #496 utilities available and how to invoke them from within a user program.

Preserving The Debugger Operating Environment

This section explains how to avoid contaminating the operating environment of the debugger. 197Bug uses certain of the MVME197LE onboard resources and also off-board system memory to contain temporary variables, exception vectors, etc. If the user disturbs resources upon which 197Bug depends, then the debugger may function unreliably or not at all.

197Bug Vector Table and Workspace

The debugger and diagnostic firmware resides in the FLASH memory. The first 64KB of RAM is also used by the debugger for storage of the Vector Table, executable code, variables, and stack.

Hardware Functions

The only hardware resources used by the debugger are the EIA-232-D ports, which are initialized to interface to the debug terminal. If these ports are reprogrammed, the terminal characteristics must be modified to suit, or the ports should be restored to the debugger-set characteristics prior to reinvoking the debugger.

Exception Vectors Used by 197Bug

The top 16 MC88110 exception vectors (i.e., #496 to 511 inclusive) are reserved for use by the debugger.

CPU/MPU Registers

MPU register CR20 is reserved for usage by the debugger. If CR20 is to be used by the user program, it must be restored prior to utilizing debugger resources (system calls).

Floating Point Support

The floating point Special Function Unit (SFU) of the MC88110 microprocessor chip is supported in this version of 197Bug. For MVME197Bug, the commands **MD**, **MM**, **RM**, and **RS** have been extended to allow display and modification of floating point data in registers and in memory. Floating point instructions can be assembled/disassembled with the **DI** option of the **MD** and **MM** commands.

Valid data types that can be used when modifying a floating point data register or a floating point memory location:

Integer Data Types

| | |
|----------|-----------|
| 12 | Byte |
| 1234 | Half-Word |
| 12345678 | Word |

Floating Point Data Types

| | |
|----------------------------|--------------------------------------|
| 1_FF_7FFFFFFF | Single Precision Real Format |
| 1_7FF_FFFFFFFF | Double Precision Real Format |
| -3.12345678901234501_E+123 | Scientific Notation Format (decimal) |

When entering data in single or double precision format, the following rules must be observed:

1. The sign field is the first field and is a binary field.
2. The exponent field is the second field and is a hexadecimal field.
3. The mantissa field is the last field and is a hexadecimal field.
4. The sign field, the exponent field, and at least the first digit of the mantissa field must be present (any unspecified digits in the mantissa field are set to zero).
5. Each field must be separated from adjacent fields by an underscore.
6. All the digit positions in the sign and exponent fields must be present.

Single Precision Real

This format would appear in memory as:

| | |
|-----------------------------|-----------------------------|
| 1-bit sign field | (1 binary digit) |
| 8-bit biased exponent field | (2 hex digits. Bias = \$7F) |
| 23-bit fraction field | (6 hex digits) |

A single precision number takes 4 bytes in memory.

Double Precision Real

This format would appear in memory as:

| | |
|------------------------------|------------------------------|
| 1-bit sign field | (1 binary digit) |
| 11-bit biased exponent field | (3 hex digits. Bias = \$3FF) |
| 52-bit fraction field | (13 hex digits) |

A double precision number takes 8 bytes in memory.

Note The single and double precision formats have an implied integer bit (always 1).

Scientific Notation

This format provides a convenient way to enter and display a floating point decimal number. Internally, the number is assembled into a packed decimal number and then converted into a number of the specified data type.

Entering data in this format requires the following fields:

- An optional sign bit (+ or -).

- One decimal digit followed by a decimal point.

- Up to 17 decimal digits (at least one must be entered).

- An optional Exponent field that consists of:

 - An optional underscore.

 - The Exponent field identifier, letter "E".

 - An optional Exponent sign (+, -).

 - From 1 to 3 decimal digits.

For more information about the floating point SFU, refer to the *MVME197BUG 197Bug Debugging Package User's Manual*.

197Bug Debugger Command Set

The 197Bug debugger commands are summarized in Table 4-1. The command syntax is shown using the symbols explained earlier in this chapter. The CNFG and ENV commands are explained in Appendix A. Controllers, devices, and their LUNs are listed in Appendix B. All other command details are explained in the *MVME197BUG 197Bug Debugging Package User's Manual*.

Table 4-1. Debugger Commands

| Command Mnemonic | Command Title | Command Line Syntax |
|------------------|--------------------------------------|---|
| AB | Automatic Bootstrap Operating System | AB [;[V]] |
| NOAB | No Autoboot | NOAB |
| AS | One-Line Assembler | AS ADDR |
| BC | Block of Memory Compare | BC RANGE DEL ADDR [; B H W] |
| BF | Block of Memory Fill | BF RANGE DEL data [increment] [; B H W] |
| BH | Bootstrap Operating System and Halt | BH [<i>DEL Controller LUN</i>] [<i>DEL Device LUN</i>] [<i>DEL String</i>] |
| BI | Block of Memory Initialize | BI RANGE [; B H W] |
| BM | Block of Memory Move | BM RANGE DEL ADDR [; B H W] |
| BO | Bootstrap Operating System | BO [<i>DEL Controller LUN</i>] [<i>DEL Device LUN</i>] [<i>DEL String</i>] |
| BR | Breakpoint Insert | BR [<i>ADDR[:COUNT]</i>] |
| NOBR | Delete | NOBR [<i>ADDR</i>] |
| BR0 BR1 | Data Breakpoint Register 0-1 | BR [0 1] [<i><ADDR>[:<COUNT>]</i>] [<i><MASK></i>] [; R W] [S U] [V]] [; E Z] |
| NOBR0 NOBR1 | No Data Breakpoint 0-1 | NOBR [0 1] |
| BS | Block of Memory Search | BS RANGE DEL TEXT [; B H W] or BS RANGE DEL data DEL [<i>mask</i>] [; B H W,N,V] |
| BV | Block of Memory Verify | BV RANGE DEL data [increment] [; B H W] |

Table 4-1. Debugger Commands (Continued)

| Command Mnemonic | Command Title | Command Line Syntax |
|------------------|---|---|
| CM | Concurrent Mode | CM [[<i>PORT</i>] [<i>DEL ID-STRING</i>] [<i>DEL BAUD</i>] [<i>DEL PHONE-NUMBER</i>] [; A H]] |
| NOCM | No Concurrent Mode | NOCM |
| CNFG | Configure Board Information Block | CNFG [; M] [I]] |
| CS | Checksum | CS <i>RANGE</i> [; B H W] |
| DC | Data Conversion | DC <i>EXP</i> <i>ADDR</i> [; B] [O] [A]] |
| DMA | DMA Block of Memory Move | DMA <i>RANGE DEL ADDR DEL VDIR DEL AM DEL BLK</i> [; B H W] |
| DS | One-Line Disassembler | DS <i>ADDR</i> |
| DU | Dump S-Records | DU [<i>PORT</i>] <i>DEL RANGE DEL</i> [<i>TEXT DEL</i>] [<i>ADDR</i>] [<i>OFFSET</i>] [; B H W] |
| ECHO | Echo String | ECHO [<i>PORT</i>] <i>DEL</i> { <i>hexadecimal number</i> } { <i>string</i> '} |
| ENV | Set Environment to Bug/Operating System | ENV [; D]] |
| FORK | Fork Idle MPU at Address | FORK <i>MPU# DEL ADDR</i> |
| FORKWR | Fork Idle MPU with Registers | FORKWR <i>MPU#</i> |
| GD | Go Direct (Ignore Breakpoints) | GD [<i>ADDR</i>] |
| GN | Go to Next Instruction | GN |
| GO | Go Execute User Program | GO [<i>ADDR</i>] |
| GT | Go to Temporary Breakpoint | GT <i>ADDR</i> |
| HE | Help | HE [<i>COMMAND</i>] |
| IDLE | Idle Master MPU | IDLE |
| IOC | I/O Control for Disk | IOC |
| IOI | I/O Inquiry | IOI [; C L]] |

Table 4-1. Debugger Commands (Continued)

| Command Mnemonic | Command Title | Command Line Syntax |
|------------------|---|--|
| IOP | I/O Physical (Direct Disk Access) | IOP |
| IOT | I/O “TEACH” for Configuring Disk Controller | IOT [;H] [A] |
| IRD | Idle MPU Register Display | IRD MPU# ARGs |
| IRM | Idle MPU Register Modify | IRM MPU# ARGs |
| IRS | Idle MPU Register Set | IRS MPU# ARGs |
| IRQM | Interrupt Request Mask | IRQM [MASK] |
| LO | Load S-Records from Host | LO [n] [ADDR] [;X C T] [=text] |
| MA | Macro Define/Display | MA [NAME] |
| NOMA | Macro Delete | NOMA [NAME] |
| MAE | Macro Edit | MAE name line# [string] |
| MAL | Enable Macro Expansion Listing | MAL |
| NOMAL | Disable Macro Expansion Listing | NOMAL |
| MAR | Load Macros | MAR [controller LUN] [DEL[device LUN] [DEL block #] |
| MAW | Save Macros | MAW [controller LUN] [DEL[device LUN] [DEL block #]] |
| MD | Memory Display | MD [S] ADDR[:COUNT ADDR] [; [B H W S D DI]] |
| MENU | System Menu | MENU |
| MM | Memory Modify | MM ADDR;[[B H W S D][A] [N]] [DI]] |
| MMD | Memory Map Diagnostic | MMD RANGE DEL increment[;B H W] |
| MS | Memory Set | MS ADDR {Hexadecimal number} {string} |
| MW | Memory Write | MW ADDR DATA [;B H W] |

Table 4-1. Debugger Commands (Continued)

| Command Mnemonic | Command Title | Command Line Syntax |
|------------------|--|--|
| NAB | Automatic Network Boot Operating System | NAB |
| NBH | Network Boot Operating System and Halt | NBH [<i>Controller LUN</i>] [<i>Device LUN</i>] [<i>Client IP Address</i>] [<i>Server IP Address</i>] [<i>String</i>] |
| NBO | Network Boot Operating System | NBO [<i>Controller LUN</i>] [<i>Device LUN</i>] [<i>Client IP Address</i>] [<i>Server IP Address</i>] [<i>String</i>] |
| NIOC | Network I/O Control | NIOC |
| NIOP | Network I/O Physical | NIOP |
| NIOT | Network I/O Teach | NIOT [;[H] [A]] |
| NPING | Network Ping | NPING <i>Controller-LUN Device-LUN Source-IP Destination-IP</i> [<i>N-Packets</i>] |
| OF | Offset Registers Display/Modify | OF [<i>Zn</i> ; A] |
| PA | Printer Attach | PA [<i>n</i>] |
| NOPA | Printer Detach | NOPA [<i>n</i>] |
| PF | Port Format | PF [<i>PORT</i>] |
| NOPF | Port Format/Detach | NOPF [<i>PORT</i>] |
| PFLASH | Program FLASH Memory | PFLASH <i>SSADDR SEADDR DSADDR [IEADDR]</i> [; A R] [X]] PFLASH <i>SSADDR:COUNT DSADDR [IEADDR]</i> [; B H W] [A R] [X]] |
| PS | Put RTC Into Power Save Mode for Storage | PS |
| RB | ROMboot Enable | RB ; V] |
| NORB | ROMboot Disable | NORB |
| RD | Register Display | RD {[+ - =][<i>DNAME</i>][<i>/</i>]} {[+ - =][<i>REG1</i> [- <i>REG2</i>]][<i>/</i>]}] |
| REMOTE | Connect the Remote Modem to CSO | REMOTE |
| RESET | Cold/Warm Reset | RESET |

Table 4-1. Debugger Commands (Continued)

| Command Mnemonic | Command Title | Command Line Syntax |
|------------------|---------------------------------|---|
| RL | Read Loop | RL <i>ADDR</i> ; [B H W] |
| RM | Register Modify | RM [<i>REG</i>] [;S D] |
| RS | Register Set | RS <i>REG</i> [<i>DEL EXP</i> <i>DEL ADDR</i>] [;S D] |
| RUN | MPU Execution/Status | RUN [<i>MPU#</i>] |
| SD | Switch Directories | SD |
| SET | Set Time and Date | SET <i>mmddyymm</i> |
| SYM | Symbol Table Attach | SYM [<i>ADDR</i>] |
| NOSYM | Symbol Table Detach | NOSYM |
| SYMS | Symbol Table Display/Search | SYMS [<i>symbol-name</i>] [;S] |
| T | Trace | T [<i>COUNT</i>] |
| TA | Terminal Attach | TA [<i>port</i>] |
| TIME | Display Time and Date | TIME [;C L O] |
| TM | Transparent Mode | TM [<i>n</i>] [<i>ESCAPE</i>] |
| TT | Trace to Temporary Breakpoint | TT <i>ADDR</i> |
| VE | Verify S-records Against Memory | VE [<i>n</i>] [<i>ADDR</i>] [;X C] [=text] |
| VER | Revision/Version Display | VER |
| WL | Write Loop | WL <i>ADDR:DATA</i> ; [B H W] |

CONFIGURE AND ENVIRONMENT COMMANDS

A

Configure Board Information Block

CNFG [;[M][I]]

This command is used to display and configure the board information block. This block is resident within the Non-Volatile RAM (NVRAM). Refer to the *MVME197LE Single Board Computer User's Manual* for the actual location. The board information block contains various elements detailing specific operation parameters of the hardware. The *MVME197LE Single Board Computer User's Manual* also describes the elements within the board information block, and lists the size and logical offset of each element. The **CNFG** command does *not* describe the elements and their use. The board information block contents are checksummed for validation purposes. This checksum is the last element of the block.

Example: To display the current contents of the board information block.

```
197-Bug>cnfg
Board (PWB) Serial Number = "0000000xxxxx"
Board Identifier           = "MVME197LE      "
Artwork (PWA) Identifier  = "01-W3869B01A  "
MPU Clock Speed           = "5000"
Ethernet Address          = 08003E21EG7A
Local SCSI Identifier      = "07"
197-Bug>
```

Note that the parameters that are quoted are left-justified character (ASCII) strings padded with space characters, and the quotes (") are displayed to indicate the size of the string. Parameters that are not quoted are considered data strings, and data strings are right-justified. The data strings are padded with zeros if the length is not met.

In the event of corruption of the board information block, the command displays a question mark "?" for nondisplayable characters. A warning message (WARNING: Board Information Block Checksum Error) is also displayed in the event of a checksum failure.

Using the | option initializes the unused area of the board information block to zero.

Modification is permitted by using the **M** option of the command. At the end of the modification session, you are prompted for the update to Non-Volatile RAM (NVRAM). A **Y** response must be made for the update to occur; any other response terminates the update (disregards all changes). The update also recalculates the checksum.

Take caution when modifying parameters. Some of these parameters are set up by the factory, and correct board operation relies upon these parameters.

Once modification/update is complete, you can now display the current contents as described earlier.

Set Environment to Bug/Operating System

ENV [;[D]]

The **ENV** command allows the user to interactively view/configure all Bug operational parameters that are kept in Battery Backup RAM (BBRAM), also known as Non-Volatile RAM (NVRAM). The operational parameters are saved in NVRAM and used whenever power is lost.

Any time the Bug uses a parameter from NVRAM, the NVRAM contents are first tested by checksum to ensure the integrity of the NVRAM contents. In the instance of BBRAM checksum failure, certain default values are assumed as stated below.

The bug operational parameters (which are kept in NVRAM) are not initialized automatically on power-up/warm reset. It is up to the Bug user to invoke the **ENV** command. Once the **ENV** command is invoked and executed without error, Bug default and/or user parameters are loaded into NVRAM along with checksum data. If any of the operational parameters have been modified, these new parameters will not be in effect until a reset/power-up condition.

If the **ENV** command is invoked with no options on the command line, the user is prompted to configure all operational parameters. If the **ENV** command is invoked with the option **D**, ROM defaults will be loaded into NVRAM.

The parameters to be configured are listed in the following table.

Table A-1. ENV Command Parameters

| ENV Parameter and Options | Default | Meaning of Default |
|--|----------------|---|
| Bug or System Environment [B/S] | B | Bug is the standard mode of operation. |
| Field Service Menu Enable [Y/N] | N | Do no display the field service menu. |
| Remote Start Method Switch [G/M/B/N] | B | Use both the Global Control and Status Register (GCSR) in the VMEchip2, and the Multiprocessor Control Register (MPCR) in the shared RAM methods to pass and start execution of cross-loaded program. |
| Probe System for Supported Disk/Tape Controllers [Y/N] | Y | Accesses will be made to the VMEbus to determine the presence of supported controllers. |
| Negate VMEbus SYSFAIL* Always [Y/N] | N | Negate VMEbus SYSFAIL after the successful completion or entrance into the bug command monitor. |
| Local SCSI Bus Reset on Debugger Setup [Y/N] | Y | The local SCSI bus is reset on the debugger setup. |
| Local SCSI Bus Negotiations Type [A/S/N] | A | Use Asynchronous negotiations on the local SCSI bus. |
| Ignore CFGA Block on a Hard Disk Boot [Y/N] | Y | Enable the ignorance of the Configuration Area (CFGA) Block (hard disk only). |
| Auto Boot Enable [Y/N] | N | The Auto Boot function is disabled. |

Table A-1. ENV Command Parameters (Continued)

| ENV Parameter and Options | Default | Meaning of Default |
|---|---------|---|
| Auto Boot at power-up only [Y/N] | Y | Auto Boot is attempted at power-up reset only. |
| Auto Boot Controller LUN | 00 | LUN of a disk/tape controller module currently supported by the Bug. The default is \$0. |
| Auto Boot Device LUN | 00 | LUN of a disk/tape device currently supported by the Bug. The default is \$0. |
| Auto Boot Abort Delay | 15 | This is the time in seconds that the Auto Boot sequence will delay before starting the boot. The purpose of the delay is to allow the user the option of stopping the boot by use of the Break key. The time value is from 0 through 255 seconds. |
| Auto Boot Default String [NULL for an empty string] | <none> | The user may specify a string (filename) which is passed on to the code being booted. The maximum length of the string is 16 characters. The default is the null string. |
| ROM Boot Enable [Y/N] | N | The ROMboot function is disabled. |
| ROM Boot at power-up only [Y/N] | Y | ROMboot is attempted at power-up only. |
| ROM Boot Enable Search of VMEbus [Y/N] | N | VMEbus address space will not be accessed by ROMboot. |

Table A-1. ENV Command Parameters (Continued)

| ENV Parameter and Options | Default | Meaning of Default |
|--|----------|---|
| ROM Boot Abort Delay | 0 | Time in seconds that the ROMboot sequence will delay before starting. The purpose is to allow the user the option of stopping the boot by use of the Break key. The time value is from 0 through 255 seconds. |
| ROM Boot Direct Starting Address | FF800000 | First location tested when the Bug searches for a ROMboot Module. This is the start of the Flash memory space. |
| ROM Boot Direct Ending Address | FFBFFFFC | Last location tested when the Bug searches for a ROMboot Module. This is the end of the Flash memory space. |
| Network Auto Boot Enable [Y/N] | N | Network Auto Boot function is disabled. |
| Network Auto Boot at power-up only [Y/N] | Y | Network Auto Boot is attempted at power-up reset only. |
| Network Auto Boot Controller LUN | 00 | LUN of a disk/tape controller module currently supported by the Bug. Default is \$0. |
| Network Auto Boot Delay | 5 | The time in seconds that the Network Boot sequence will delay before starting. The purpose of the delay is to allow the user the option of stopping the boot by use of the Break key. The time value is from 0 through 255 seconds. |

Table A-1. ENV Command Parameters (Continued)

| ENV Parameter and Options | Default | Meaning of Default |
|---|----------|--|
| Network Auto Boot Device LUN | 00 | LUN of a disk/tape device currently supported by the Bug. Default is \$0. |
| Network Auto Boot Configuration Parameter Pointer (NVRAM) | 00000000 | This is the address where the network interface configuration parameters are to be saved/retained in NVRAM: these parameters are the necessary parameters to perform an unattended network boot. |
| Memory Search Starting Address | 00000000 | This is where the Bug begins to search for a work page (a 64KB block of memory) to use for vector table, stack, and variables. This must be a multiple of the debugger work page, modulo \$10000 (64KB). In a multi-197 environment, each MVME197LE board could be set to start its work page at a unique address so as to allow multiple debuggers to operate simultaneously. |
| Memory Search Ending Address | 02000000 | Top limit of the Bug's search for a work page. |
| Memory Search Increment Size | 00010000 | Must be a multiple of the debugger work page, modulo \$10000 (64KB). |
| Memory Search Delay Enable [Y/N] | N | There will be no delay before the Bug begins its search for a work page. |

Table A-1. ENV Command Parameters (Continued)

| ENV Parameter and Options | Default | Meaning of Default |
|------------------------------|----------|--|
| Memory Search Delay Address | FFFFD00F | The default address is \$FFFFD00F. This is the MVME197LE GCSR (global control and status register) GPCSR5 as accessed through the VMEbus A16 space and assumes that the MVME197LE GRPAD (group address) and BDAD (board address within group) switches are set to "ON". This byte-wide value is initialized to \$FF by the MVME197LE hardware after a System or Power-on Reset. In a multi-197 environment, where the work pages of several Bugs are to reside in the memory of the primary (first) MVME197LE, the non-primary CPUs will wait for the data at the Memory Search Delay Address to be set to \$00, \$01, or \$02 (refer to the <i>Memory Requirements</i> section in the <i>Debugger General Information</i> chapter of this guide for the definition of these values) before attempting to locate their work page in the memory of the primary CPU. |
| Memory Size Enable [Y/N] | Y | Memory will be sized for Self Test diagnostics. |
| Memory Size Starting Address | 00000000 | The default Starting Address is \$0. |

Table A-1. ENV Command Parameters (Continued)

| ENV Parameter and Options | Default | Meaning of Default |
|--|----------|---|
| Memory Size Ending Address | 02000000 | The default ending address is the calculated size of local memory. |
| Base Address of Local Memory | 00000000 | The beginning address of Local Memory. It must be a multiple of the Local Memory board size, starting with 0. The Bug will set up the hardware address decoders so that the Local Memory resides as one contiguous block at this address. Default is \$0. |
| Size of Local Memory | 02000000 | The default is the calculated size of the local memory. |
| Slave address decoders setup. The slave address decoders are use to allow another VMEbus master to access a local resource of the MVME197LE. There are two slave address decoders set. They are set up as follows. | | |
| Slave Enable #1 [Y/N] | Y | Setup and Enable the Slave Address Decoder #1. |
| Slave Starting Address #1 | 00000000 | Base address of the local resource that is accessible by the VMEbus. Default is the base of local memory, \$0. |
| Slave Ending Address #1 | 01FFFFFF | Ending address of the local resource that is accessible by the VMEbus. Default is the end of calculated memory. |

Table A-1. ENV Command Parameters (Continued)

| ENV Parameter and Options | Default | Meaning of Default |
|--------------------------------------|----------|---|
| Slave Address Translation Address #1 | 00000000 | This register will allow the VMEbus address and the local address to be different. The value in this register is the base address of the local resource that is associated with the starting and ending address selections from the previous questions. The default is 0. |
| Slave Address Translation Select #1 | 00000000 | This register defines which bits of the address are significant. A logical one "1" indicates significant address bits, logical zero "0" is non-significant. The default is 0. |
| Slave Control #1 | 01FF | This defines the access restriction for the address space defined with this slave address decoder. The default is \$01FF. |
| Slave Enable #2 [Y/N] | N | Do not setup and enable the Slave Address Decoder #2. |
| Slave Starting Address #2 | 00000000 | This is the base address of the local resource that is accessible by the VMEbus. |
| Slave Ending Address #2 | 00000000 | This is the ending address of the local resource that is accessible by the VMEbus. |

Table A-1. ENV Command Parameters (Continued)

| ENV Parameter and Options | Default | Meaning of Default |
|--------------------------------------|----------|---|
| Slave Address Translation Address #2 | 00000000 | This register will allow the VMEbus address and the local address to be different. The value in this register is the base address of the local resource that is associated with the starting and ending address selections from the previous questions. The default is 0. |
| Slave Address Translation Select #2 | 00000000 | This register defines which bits of the address are significant. A logical one "1" indicates significant address bits, logical zero "0" is non-significant. The default is 0. |
| Slave Control #2 | 0000 | This defines the access restriction for the address space defined with this slave address decoder. |
| Master Enable #1 [Y/N] | Y | Setup and enable the Master Address Decoder #1. |
| Master Starting Address #1 | 02000000 | This is the base address of the VMEbus resource that is accessible from the local peripheral bus. The default is the end of calculated local memory. |
| Master Ending Address #1 | FFFFFFF | This is the ending address of the VMEbus resource that is accessible from the local peripheral bus. |

Table A-1. ENV Command Parameters (Continued)

| ENV Parameter and Options | Default | Meaning of Default |
|----------------------------|----------|--|
| Master Control #1 | 0D | This defines the access characteristics for the address space defined with this master address decoder. |
| Master Enable #2 [Y/N] | Y | Set up and enable the Master Address Decoder #2. |
| Master Starting Address #2 | FF000000 | This is the base address of the VMEbus resource that is accessible from the local peripheral bus. If enabled, the default is \$FF000000, otherwise \$00000000. |
| Master Ending Address #2 | FF7FFFFF | This is the ending address of the VMEbus resource that is accessible from the local peripheral bus. If enabled, the default is \$FF7FFFFF, otherwise \$00000000. |
| Master Control #2 | 0D | This defines the access characteristics for the address space defined with this master address decoder. If enabled, the default is \$0D, otherwise \$00. |
| Master Enable #3 [Y/N] | N | Do not set up and enable the Master Address Decoder #3. Default for boards containing at least 16MB of calculated RAM. |

Table A-1. ENV Command Parameters (Continued)

| ENV Parameter and Options | Default | Meaning of Default |
|----------------------------------|----------------|--|
| Master Starting Address #3 | 00000000 | Base address of the VMEbus resource that is accessible from the local peripheral bus. If enabled, the value is calculated as 1 less than the calculated size of memory. If not enabled, default is \$00000000. |
| Master Ending Address #3 | 00000000 | Ending address of the VMEbus resource that is accessible from the local peripheral bus. If enabled, the default is \$00FFFFFF, otherwise \$00000000. |
| Master Control #3 | 00 | This defines the access characteristics for the address space defined with this master address decoder. If enabled, the default is \$3D, otherwise \$00. |
| Master Enable #4 [Y/N] | N | Do not setup and enable the Master Address Decoder #4. |
| Master Starting Address #4 | 00000000 | This is the base address of the VMEbus resource that is accessible from the local peripheral bus. The default is \$0. |
| Master Ending Address #4 | 00000000 | This is the ending address of the VMEbus resource that is accessible from the local peripheral bus. The default is \$0. |

Table A-1. ENV Command Parameters (Continued)

| ENV Parameter and Options | Default | Meaning of Default |
|---------------------------------------|----------|--|
| Master Address Translation Address #4 | 00000000 | This register will allow the VMEbus address and the local address to be different. The value in this register is the base address of VMEbus resource that is associated with the starting and ending address selections from the previous questions. The default is 0. |
| Master Address Translation Select #4 | 00000000 | This register defines which bits of the address are significant. A logical one "1" indicates significant address bits, logical zero "0" is non-significant. The default is 0. |
| Master Control #4 | 00 | This defines the access characteristics for the address space defined with this master address decoder. The default is \$00. |
| Short I/O (VMEbus A16) Enable [Y/N] | Y | Enable the Short I/O Address Decoder. |
| Short I/O (VMEbus A16) Control | 01 | This defines the access characteristics for the address space defined with the Short I/O address decoder. The default is \$01. |
| F-Page (VMEbus A24) Enable [Y/N] | Y | Enable the F-Page Address Decoder. |

Table A-1. ENV Command Parameters (Continued)

| ENV Parameter and Options | Default | Meaning of Default |
|------------------------------------|---------|---|
| F-Page (VMEbus A24) Control | 02 | This defines the access characteristics for the address space defined with the F-Page address decoder. Default is \$02. |
| ROM Speed Bank A Code | 03 | These parameters are used to set up the ROM speed. Default \$03 = 165 nsec. |
| ROM Speed Bank B Code | 03 | |
| PCC2 Vector Base | 05 | These parameters are the base interrupt vector for the component specified. Default: PCCchip2 = \$05, VMEchip2 Vector 1 = \$06, VMEchip2 Vector 2 = \$07. |
| VMEC2 Vector Base #1 | 06 | |
| VMEC2 Vector Base #2 | 07 | |
| VMEC2 GCSR Group Base Address | D0 | This parameter specifies the group address (\$FFFFX00) in Short I/O for this board. The default is \$D0. |
| VMEC2 GCSR Board Base Address | 00 | This parameter specifies the base address (\$FFFFCEXX) in Short I/O for this board. The default is \$00. |
| VMEbus Global Time Out Code | 01 | This controls the VMEbus timeout when systems controller. Default \$01 = 64 μ sec. |
| Local Peripheral Bus Time Out Code | 01 | This controls the local peripheral bus timeout. Default \$01 = 64 μ sec. |
| VMEbus Access Time Out Code | 02 | This controls the local peripheral bus to VMEbus access timeout. Default \$02 = 32 msec. |

DISK/TAPE CONTROLLER DATA

B

Disk/Tape Controller Modules Supported

The following VMEbus disk/tape controller modules are supported by the 197Bug. The default address for each type of controller is the First Address and the controller can be addressed by the First CLUN during commands **BH**, **BO**, or **IOP**, or during TRAP #496 calls **.DSKRD** or **.DSKWR**. Note that if another one of the same type of controller is used, the second one must have its address changed by its onboard jumpers and/or switches, so that it matches the Second Address and can be called up by the Second CLUN.

| Controller Type | First CLUN | First Address | Second CLUN | Second Address |
|--|------------|---------------|-------------|----------------|
| MVME197LE - Single Board Computer | \$00 | -- | -- | -- |
| MVME320 - Winchester/Floppy Controller | \$11 | \$FFFFB000 | \$12 | \$FFFFAC00 |
| MVME323 - ESDI Winchester Controller | \$08 | \$FFFA000 | \$09 | \$FFFA200 |
| MVME327A - SCSI Controller | \$02 | \$FFFA600 | \$03 | \$FFFA700 |
| MVME328 - SCSI Controller | \$06 | \$FFF9000 | \$07 | \$FFF9800 |
| MVME350 - Streaming Tape Controller | \$04 | \$FFF5000 | \$05 | \$FFF5100 |

Disk/Tape Controller Default Configurations

Single Board Computers - 7 Devices

| Controller LUN | Address | Device LUN | Device Type |
|----------------|-----------|--|---|
| 0 | SXXXXXXXX | 00 10 20 30 40 50 60 | SCSI Common Command Set (CCS), which may be any of these: <ul style="list-style-type: none"> - Fixed direct access device - Removable flexible direct access (TEAC style) - CD-ROM - Sequential access device |

MVME320 - 4 Devices

| Controller LUN | Address | Device LUN | Device Type |
|----------------|-----------|------------|--|
| 11 | SFFFFB000 | 0 1 | Winchester hard drive Winchester hard drive |
| 12 | SFFFFAC00 | 2 3 | 5-1/4" DS/DD 96 TPI floppy drive 5-1/4" DS/DD 96 TPI floppy drive |

MVME323 - 4 Devices

| Controller LUN | Address | Device LUN | Device Type |
|----------------|-----------|------------|--|
| 8 | SFFFFA000 | 0 1 | ESDI Winchester hard drive ESDI Winchester hard drive |
| 9 | SFFFFA200 | 2 3 | ESDI Winchester hard drive ESDI Winchester hard drive |

MVME327A - 9 Devices

| Controller LUN | Address | Device LUN | Device Type |
|----------------|-----------|------------|---|
| 2 | \$FFFA600 | 00 | SCSI Common Command Set (CCS), which may be any of these: |
| 3 | \$FFFA700 | 10 | |
| | | 20 | |
| | | 30 | - Fixed direct access device |
| | | 40 | - Removable flexible direct access (TEAC style) |
| | | 50 | - CD-ROM |
| | | 60 | - Sequential access device |
| | | 80 | Local Floppy Drive |
| | | 81 | Local Floppy Drive |

MVME328 - 14 Devices

| Controller LUN | Address | Device LUN | Device Type |
|----------------|-----------|------------|--|
| 6 | \$FFF9000 | 00 | SCSI Common Command Set (CCS), which may be any of these: |
| 7 | \$FFF9800 | 08 | |
| | | 10 | |
| | | 18 | - Removable flexible direct access (TEAC style) |
| 16 | \$FFF4800 | 20 | - CD-ROM |
| | | 28 | - Sequential access device |
| 17 | \$FFF5800 | 30 | Same as above, but these will only be available if the daughter card for the second SCSI channel is present. |
| | | 40 | |
| 18 | \$FFF7000 | 48 | |
| | | 50 | |
| | | 58 | |
| 19 | \$FFF7800 | 60 | |
| | | 68 | |
| | | 70 | |

MVME350 - 1 Device

| Controller LUN | Address | Device LUN | Device Type |
|-----------------------|----------------|-------------------|-----------------------------|
| 4 | \$FFFF5000 | 0 | QIC-02 Streaming Tape Drive |
| 5 | \$FFFF5100 | | |

B

IOT Command Parameters for Supported Floppy Types

The following table lists the proper IOT command parameters for floppies used with boards such as the MVME328 and MVME197LE.

| IOT Parameter | Floppy Types and Formats | | | | | | |
|--|--------------------------|---------|---------|---------|---------|---------|---------|
| | DSDD5 | PCXT8 | PCXT9 | PCXT9_3 | PCAT | PS2 | SHD |
| Sector Size: 0- 128 1- 256 2- 512 3-1024 4-2048 5-4096 = | 1 | 2 | 2 | 2 | 2 | 2 | 2 |
| Block Size: 0- 128 1- 256 2- 512 3-1024 4-2048 5-4096 = | 1 | 1 | 1 | 1 | 1 | 1 | 1 |
| Sectors/Track | 10 | 8 | 9 | 9 | F | 12 | 24 |
| Number of Heads = | 2 | 2 | 2 | 2 | F | 2 | 2 |
| Number of Cylinders = | 50 | 28 | 28 | 50 | 50 | 50 | 50 |
| Precomp. Cylinder = | 50 | 28 | 28 | 50 | 50 | 50 | 50 |
| Reduced Write Current Cylinder = | 50 | 28 | 28 | 50 | 50 | 50 | 50 |
| Step Rate Code = | 0 | 0 | 0 | 0 | 0 | 0 | 0 |
| Single/Double DATA Density = | D | D | D | D | D | D | D |
| Single/Double TRACK Density = | D | D | D | D | D | D | D |
| Single/Equal_in_all Track Zero Density = | S | E | E | E | E | E | E |
| Slow/Fast Data Rate = | S | S | S | S | F | F | F |
| Other Characteristics | | | | | | | |
| Number of Physical Sectors | 0A00 | 0280 | 02D0 | 05A0 | 0960 | 0B40 | 1680 |
| Number of Logical Blocks (100 in size) | 09F8 | 0500 | 05A0 | 0B40 | 12C0 | 1680 | 2D00 |
| Number of Bytes in Decimal | 653312 | 327680 | 368460 | 737280 | 1228800 | 1474560 | 2949120 |
| Media Size/Density | 5.25/DD | 5.25/DD | 5.25/DD | 3.5/DD | 5.25/HD | 3.5/HD | 3.5/ED |

Notes

1. All numerical parameters are in hexadecimal unless otherwise noted.
2. The DSDD5 type floppy is the default setting for the debugger.

B

NETWORK CONTROLLER DATA

C

Network Controller Modules Supported

The following VMEbus network controller modules are supported by the MVME197Bug. The default address for each type and position is showed to indicate where the controller must reside to be supported by the MVME197Bug. The controllers are accessed via the specified CLUN and DLUNs listed here. The CLUN and DLUNs are used in conjunction with the debugger commands **NBH**, **NBO**, **NIOC**, **NIOP**, **NIOT**, **NPING**, and **NAB**, and also with the debugger system calls .NETRD, .NETWR, .NETFOPN, .NETFRD, .NETCFIG, and .NETCTRL.

| Controller Type | First CLUN | First DLUN | Address | Interface Type |
|-----------------|------------|------------|------------|----------------|
| MVME197 | \$00 | \$00 | \$FFF46000 | Ethernet |
| MVME376 | \$02 | \$00 | \$FFFF1200 | Ethernet |
| MVME376 | \$03 | \$00 | \$FFFF1400 | Ethernet |
| MVME376 | \$04 | \$00 | \$FFFF1600 | Ethernet |
| MVME376 | \$05 | \$00 | \$FFFF5400 | Ethernet |
| MVME376 | \$06 | \$00 | \$FFFF5600 | Ethernet |
| MVME376 | \$07 | \$00 | \$FFFA400 | Ethernet |
| MVME374 | \$10 | \$00 | \$FF000000 | Ethernet |
| MVME374 | \$11 | \$00 | \$FF100000 | Ethernet |
| MVME374 | \$12 | \$00 | \$FF200000 | Ethernet |
| MVME374 | \$13 | \$00 | \$FF300000 | Ethernet |
| MVME374 | \$14 | \$00 | \$FF400000 | Ethernet |
| MVME374 | \$15 | \$00 | \$FF500000 | Ethernet |

Index

When using this index, keep in mind that a page number indicates only where referenced material begins. It may extend to the page or pages following the page referenced.

Symbols

“C” programming language 3-2

Numerics

197Bug 2-3, 3-1
197Bug implementation 3-2
197Bug stack 3-8
197Bug vector table and workspace 4-6
197-Bug> 4-1
5-1/4" DS/DD 96 TPI floppy drive B-2

A

Abort 3-7
ABORT switch 1-6, 3-7
address 4-2
address as a parameter 4-4
address formats 4-4
address, ethernet station 1-9
arguments 4-1
arithmetic operators 4-2
ARP/RARP protocol modules 3-14
ASCII string 4-2
assembler/disassembler 4-5
assertion, SYSFAIL* 3-8
Autoboot 3-4

B

Backus-Naur 4-2
base and top addresses 4-4
base identifier 4-2
Battery Backup RAM (BBRAM) A-2
Battery Backup RAM and Clock 1-8
BH (Bootstrap and Halt) 3-11

blocks versus sectors 3-10
BO (Bootstrap Operating System) 3-11
board information block, configure A-1
Board Mode 3-4
boldface strings 4-2
BOOT ROM 1-7, 2-5
booting the operating system 3-11
BOOTP protocol module 3-14
braces 4-2
Break 3-7
BREAK key 3-7
bus terminators, SCSI 1-10

C

calling system utilities from user
 programs 4-6
checksum A-2
Clear To Send (CTS) 3-3
clock speed calculation 3-9
CLUN B-2, B-3, B-4, C-1
CNFG command A-1
command identifier 4-1
command line 4-1
Command Set, Debugger 4-9
commands, debugger 4-9
commands, disk I/O 3-11
Configuration Switch S1 2-3, 2-4
Configuration Switch S6 2-5
configuration switch settings 3-3
configuration, default disk/tape
 controller B-2
Configure Board Information Block A-1
Connector P2 2-7

connector P2 4-5
 connectors, P1 and P2 1-12
 console port 4-5
 Control (CTRL) key 3-9
 controller B-1
 controller parameters, default 3-13
 controllers supported B-1, C-1
 count 4-2
 CPU register 4-4
 CPU/MPU registers 4-7

D

Data Bus Structure 1-7
 debugger commands 4-9
 debugger directory 3-17
 debugger prompt 3-1, 4-1
 debugging programs 4-5
 default 197Bug controller and device
 parameters 3-13
 default baud rate 3-3
 delimiter 4-2
 description of 197Bug 3-1
 device descriptor table 3-10
 device parameters, default 3-13
 device probe function 3-10
 diagnostic directory 3-17
 diagnostic facilities 3-17
 diagnostic prompt 3-2
 diagram(s)
 MVME197LE Block 1-5
 MVME197LE location 2-2
 direct access device B-2, B-3
 disk controller default configuration B-2
 disk I/O error codes 3-13
 disk I/O support 3-10
 disk I/O via 197Bug commands 3-11
 Disk I/O via 197Bug System Calls 3-12
 disk IOT command parameters B-5
 Disk/Tape Controller Default
 Configurations B-2
 Disk/Tape Controller Modules
 Supported B-1

DLUN B-2, B-3, B-4, C-1
 double precision real 4-8
 DROM (Download ROM) 1-7

E

EIA-232-D port connectors 3-3
 EIA-232-D ports 4-6
 entering and debugging programs 4-5
 entering debugger command lines 4-1
 ENV command A-2
 Environment (ENV) command 3-5
 environment, preserving 4-6
 environment, set A-2
 error codes, disk I/O 3-13
 error codes, network I/O 3-15
 ESDI Winchester hard drive B-2
 Ethernet C-1
 Ethernet driver 3-14
 Ethernet Interface 1-9, 3-13
 Ethernet Station Address 1-9
 exception vectors used by 197Bug 4-6
 exponent field 4-7
 expression 4-2
 expression as a parameter 4-2

F

Features, MVME197LE 1-3
 Flash Memory 1-7
 flexible diskette B-2, B-3
 floating point instructions 4-7
 floating point SFU 4-8
 floating point support 4-7
 floppy disk command parameters B-5
 floppy drive B-2, B-3
 Front Panel Switches and Indicators 1-6
 Functional Description 1-6
 fuse (F2) 2-8

G

GCSR method 3-17
 General Information Switch 2-3

Global Control and Status Register (GC-SR) 3-17

H

handshaking 3-3
hard disk drive B-2
hardware functions 4-6
hardware interrupt, VMEchip2 1-11
Help (HE) command 3-2
host port 4-5

I

I/O control, terminal 3-9
I/O disk - error codes 3-13
I/O error codes, network 3-15
I/O Interfaces 1-8
I/O support, disk 3-10
I/O support, network 3-13
I/O, disk - 197Bug commands 3-11
I/O, disk - system calls 3-12
implementation of 197Bug 3-2
inquiry 3-10
installation 3-2
installation and start-up 3-2
Installation Instructions 2-5
installation, MVME197LE 2-6
Instruction Pointer (IP) 3-7
interfaces
 ethernet 1-9
 I/O 1-8
 printer 1-9
 SCSI 1-10
 serial port 1-8
 VMEbus 1-8
Internet Protocol (IP) 3-14
introduction(s)
 Board Level Hardware Description 1-1
 Hardware Preparation and Installation 2-1
IOC (Input/Output Control) 3-11
IOI (Input/Output Inquiry) 3-11

IOP (Physical Input/Output to Disk) 3-11

IOT (Input/Output Teach) 3-11
IOT Command Parameters for Supported Floppy Types B-5
italic strings 4-2

L

LAN coprocessor 3-14
LEDs, front panel 1-6
Local Devices Memory Map 1-14
local floppy drive B-3
local peripheral bus (MC68040 compatible bus) 1-2
Local Peripheral Bus Timeout 1-11
logical block 3-10
Logical Unit Number (LUN) 3-11

M

M88000 firmware 3-1
mantissa field 4-7
mapping
 Local Peripheral Bus (MC68040 compatible bus) 1-12
 Processor Bus (MC88110 bus) 1-12
 VMEbus Masters 1-12
MC88110 exception vectors 4-6
MC88110 MPU 1-7
MC88110 RISC microprocessor 1-1
MC88110 Second Generation RISC Microprocessor User's Manual 1-7
MC88110 TRAP instructions 4-6
memory map(s)
 Local Devices 1-14
 Processor Bus 1-13
memory requirements 3-8
meta symbols 4-2
mode sense 3-10
MPU Clock Speed Calculation 3-9
Multiprocessor Address Register (MPAR) 3-16

Multiprocessor Control Register (MPCR)
 method 3-15
 multiprocessor support 3-15
 MVME197BUG 3-1
 MVME197LE Block Diagram 1-5
 MVME197LE Module Installation 2-6
 MVME197LE registers 2-1
 MVME197LE Specifications 1-4
 MVME320 B-2
 MVME323 B-2
 MVME327A B-3
 MVME328 B-3
 MVME350 B-4
 MVME376 C-1
 MVME712M Transition Module and P2
 Adapter Board User's Manual
 2-5
 MVME712X 1-1
 MVME712-XX 1-1

N

negation, SYSFAIL* 3-8
 network boot control module 3-15
 network controllers supported C-1
 network I/O error codes 3-15
 network I/O support 3-13
 Non-Volatile RAM (NVRAM) A-2
 numeric value 4-3
 NVRAM A-2

O

object code 4-5
 offset registers 4-4
 Onboard DRAM 1-7
 operating environment 4-6
 operating environment, preserving 4-6
 operating system, booting 3-11
 Operating temperature 1-4
 operational parameters A-2
 option field 4-1
 overview of M88000 firmware 3-1

P

P1 and P2 connectors 2-6
 parameters, default device 3-13
 Peripheral Resources 1-11
 Physical dimensions, board 1-4
 physical layer manager Ethernet driver
 3-14
 Port 0 or 00 4-5
 Port 1 or 01 4-5
 port numbers 4-6
 Power requirements 1-4
 preserving the debugger operating
 environment 4-6
 Printer Interface 1-9
 processor bus (MC88110 bus) 1-2
 Processor Bus Memory Map 1-12, 1-13
 Processor Bus Timeout 1-11
 Programmable Tick Timers 1-11
 Pseudo Stack Pointer (R31) 3-8
 pseudo-registers 4-4

Q

QIC-02 Streaming Tape Drive B-4
 qualifier 4-4

R

RAM 4-6
 range 4-2
 RARP/ARP protocol modules 3-14
 relative address+offset 4-4
 Relative humidity 1-4
 Requirements 1-2
 Reset 3-6
 RESET switch 1-6, 3-6
 resources, hardware 4-6
 restarting the system 3-6
 ROMboot 3-5

S

scientific notation 4-8
 SCSI Common Command Set (CCS) B-2,
 B-3

- SCSI Interface 1-10
- SCSI Termination 1-10
- sector 3-10
- sectors versus blocks 3-10
- Sequential access device B-2, B-3
- SERIAL PORT 1 4-5
- SERIAL PORT 2 4-5
- Serial Port Interface 1-8
- Set Environment to Bug/Operating System A-2
- sign field 4-7
- Single Board Computers B-2
- single precision real 4-8
- Software-Programmable Hardware
 - Interrupts 1-11
- source line 4-5
- Special Function Unit (SFU) 4-7
- specifications, MVME197LE 1-4
- square brackets 4-2
- start-up 3-2
- static variable space 3-8
- Storage temperature 1-4
- string literal 4-3
- supervisor address space 4-4
- Switch Directories (SD) command 3-2
- switch settings 2-1
- switch(es)
 - ABORT S2 1-6
 - Configuration S1 2-3
 - Configuration S6 2-5
 - front panel 1-6
 - general purpose functions 2-4
 - LED 1-6
 - RESET S3 1-6
 - serial port 4 clock select 2-5
 - system controller enable function 2-4
- Switches, Connectors, and LED
 - Indicators Location Diagram 2-2
- syntactic variable 4-2
- syntactic variables 4-2
- SYSFAIL* assertion/negation 3-8
- system calls, disk I/O 3-12

- System Considerations 2-7
- system console 3-3
- system controller 2-4, 2-6
- System Fail (SYSFAIL*) 3-5
- System Mode 3-4

T

- tape controller default configuration B-2
- terminal input/output control 3-9
- The 197Bug Debugger Command Set 4-9
- tick timer, programmable 1-11
- transition boards 1-1
- TRAP #496 4-6
- TRAP #496 handler 3-1
- TRAP #496 system calls 3-12
- trap exception commands 3-1

U

- UDP/IP protocol modules 3-14
- Unpacking Instructions 2-1
- user address space 4-4
- utilities, calling from user programs 4-6

V

- vector table 4-6
- vertical bar 4-2
- VMEbus Interface 1-8
- VMEbus network controllers C-1

W

- Watchdog Timer 1-11
- Winchester hard drive B-2

X

- XON and XOFF 3-9
- XON/XOFF 3-3

Free Manuals Download Website

<http://myh66.com>

<http://usermanuals.us>

<http://www.somanuals.com>

<http://www.4manuals.cc>

<http://www.manual-lib.com>

<http://www.404manual.com>

<http://www.luxmanual.com>

<http://aubethermostatmanual.com>

Golf course search by state

<http://golfingnear.com>

Email search by domain

<http://emailbydomain.com>

Auto manuals search

<http://auto.somanuals.com>

TV manuals search

<http://tv.somanuals.com>