

CLASS D MONO AMPLIFIER

AMPLIFICATEUR MONO DE CLASSE D

Owner's Manual

PRS-D5000SPL

Mode d'emploi

ENGLISH

ESPAÑOL

DEUTSCH

FRANÇAIS

ITALIANO

NEDERLANDS

Before Using This Product	2	Connecting the Unit	5
In case of trouble	2	Connection Diagram	6
About This Product	2	Connecting the Power Terminal	7
CAUTION	2	Connecting the Speaker Terminals	8
WARNING	2	Setting the Gain for synced amplifier	9
Setting the Unit	3	Quick Setup of the Gain	9
Gain Control	3	Advanced Setup of the Gain	9
MODE SELECT Switch	3	Connecting the Speaker wires	9
Bass Boost Level Control	3	Installation	13
Bass Boost Frequency Control	3	Example of installation on the floor mat	
Slope Select Switch	3	or on the chassis	13
Cut Off Frequency Control for LPF	4	Specifications	14
Subsonic Select Switch	4		
BFC (Beat Frequency Control) Switch	4		
Power Indicator	4		

Before Using This Product

Thank you for purchasing this PIONEER product. Before attempting operation, be sure to read this manual.

In case of trouble

When the unit does not operate properly, contact your dealer or the nearest authorized PIONEER Service Station.

About This Product

This product is a class D amplifier for the subwoofer. If both L (left) and R (right) channels are connected to the RCA input of this product, output is mixed because this product is a mono amplifier.

CAUTION

Never replace the fuse with one of greater value or rating than the original fuse. Use of an improper fuse could result in overheating and smoke and could cause damage to the product and injury including burns.

WARNING

- Always use the recommended battery wire and ground wire, which is sold separately. Connect the battery wire directly to the car battery positive terminal (+) and the ground wire to the car body.
- Do not touch the amplifier with wet hands. Otherwise you may get an electric shock. Also, do not touch the amplifier when it is wet.
- For traffic safety and to maintain safe driving conditions, keep the volume low enough so that you can still hear normal traffic sound.
- Check the connections of the power supply and subwoofer if a fuse for the separately sold battery wire blows. Detect the cause and solve the problem, then replace the fuse with another one of the same size and rating.
- To prevent malfunction of the amplifier and subwoofer, the protective circuit will cut the power supply to the amplifier (sound will stop) when an abnormal condition occurs. In such a case, switch the power to the system OFF and check the connection of the power supply and subwoofer. Detect the cause and solve the problem.
- Contact the dealer if you cannot detect the cause.
- To prevent an electric shock or short-circuit during connection and installation, be sure to disconnect the negative (-) terminal of the battery beforehand.
- Confirm that no parts are behind the panel when drilling a hole for installation of the amplifier. Be sure to protect all cables and important equipment such as fuel lines, brake lines and the electrical wiring from damage.
- DO NOT allow amplifier to come into contact with liquids due to, for example, the location where the amplifier is installed. Electrical shock could result. Also, amplifier and speaker damage, smoke, and overheating could result from contact with liquids. In addition, the amplifier surface and the surface of any attached speakers could become hot to the touch and minor burns could result.

Gain Control

If the sound level is too low, even when the volume of the car stereo used along with this power amplifier is turned up, turn gain control on the front of the power amplifier clockwise. If the sound distorts when the volume is turned up, turn the gain control counter-clockwise.

- When using with an RCA equipped car stereo (standard output of 500 mV), set to the NORMAL position. When using with an RCA equipped Pioneer car stereo with max. output of 4 V or more, adjust level to match the car stereo output level.
- For synced amplifier's gain control, see the "Setting the Gain for synced amplifier" section.

Bass Boost Frequency Control

You can select a bass boost frequency from 40 to 120 Hz with the bass boost control.

MODE SELECT Switch

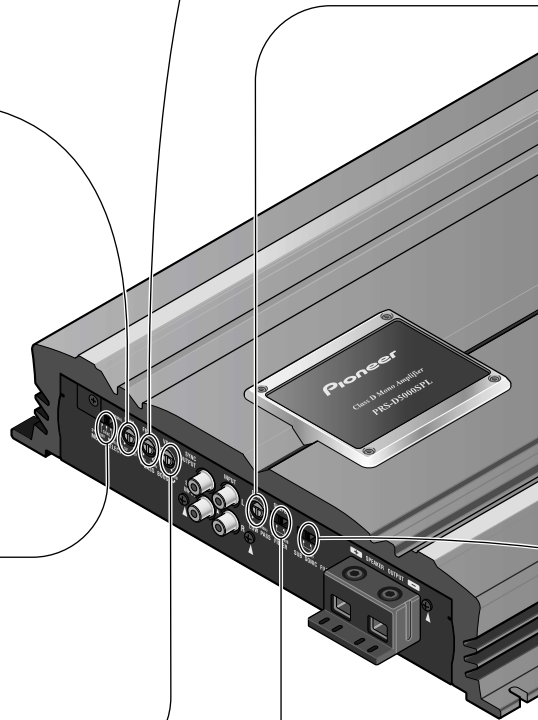
You can select amplifier's sync mode from MASTER, SYNC and SYNC INV. For the position of the MODE SELECT switch, see the "Connecting the Speaker wires" section.

Bass Boost Level Control

Bass boost level control can boost the level around the frequency selected by the bass boost frequency control from 0 to 12 dB.

Slope Select Switch

You can select a slope for the LPF from -18 and -24 dB.

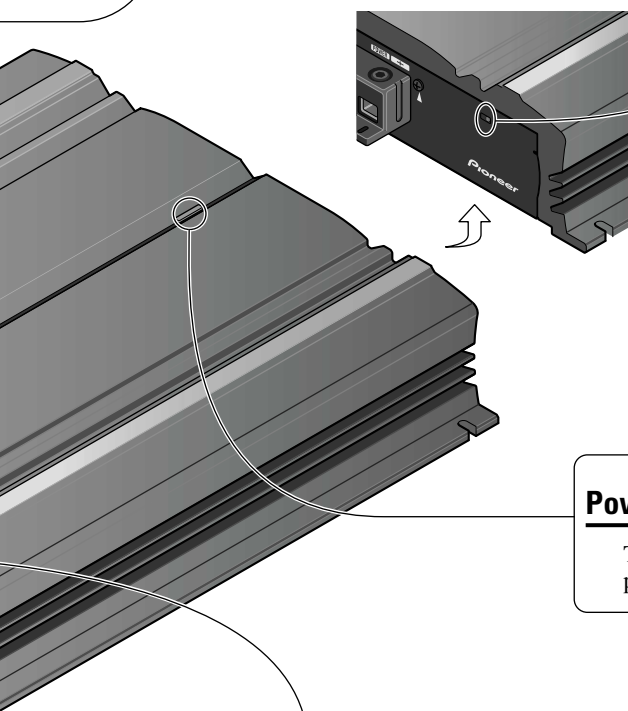


Cut Off Frequency Control for LPF

You can select a cut off frequency from 40 to 240 Hz.

BFC (Beat Frequency Control) Switch

If you hear a beat while listening to an MW/LW broadcast with your car stereo, change the BFC switch using a small standard tip screwdriver.



Power Indicator

The power indicator lights when the power is switched on.

Subsonic Select Switch

The subsonic filter cuts inaudible frequencies below 20 Hz to eliminate unwanted vibrations and minimize power loss.

CAUTION

- Disconnect the negative (–) terminal of the battery to avoid the risk of short-circuit and damage to the unit.
- Secure the wiring with cable clamps or adhesive tape. To protect the wiring, wrap adhesive tape around it where they lie against metal parts.
- Do not route wires where they will get hot, for example where the heater will blow over them. If the insulation heats up, it may become damaged, resulting in a short-circuit through the vehicle body.

CAUTION:

To prevent damage and/or injury

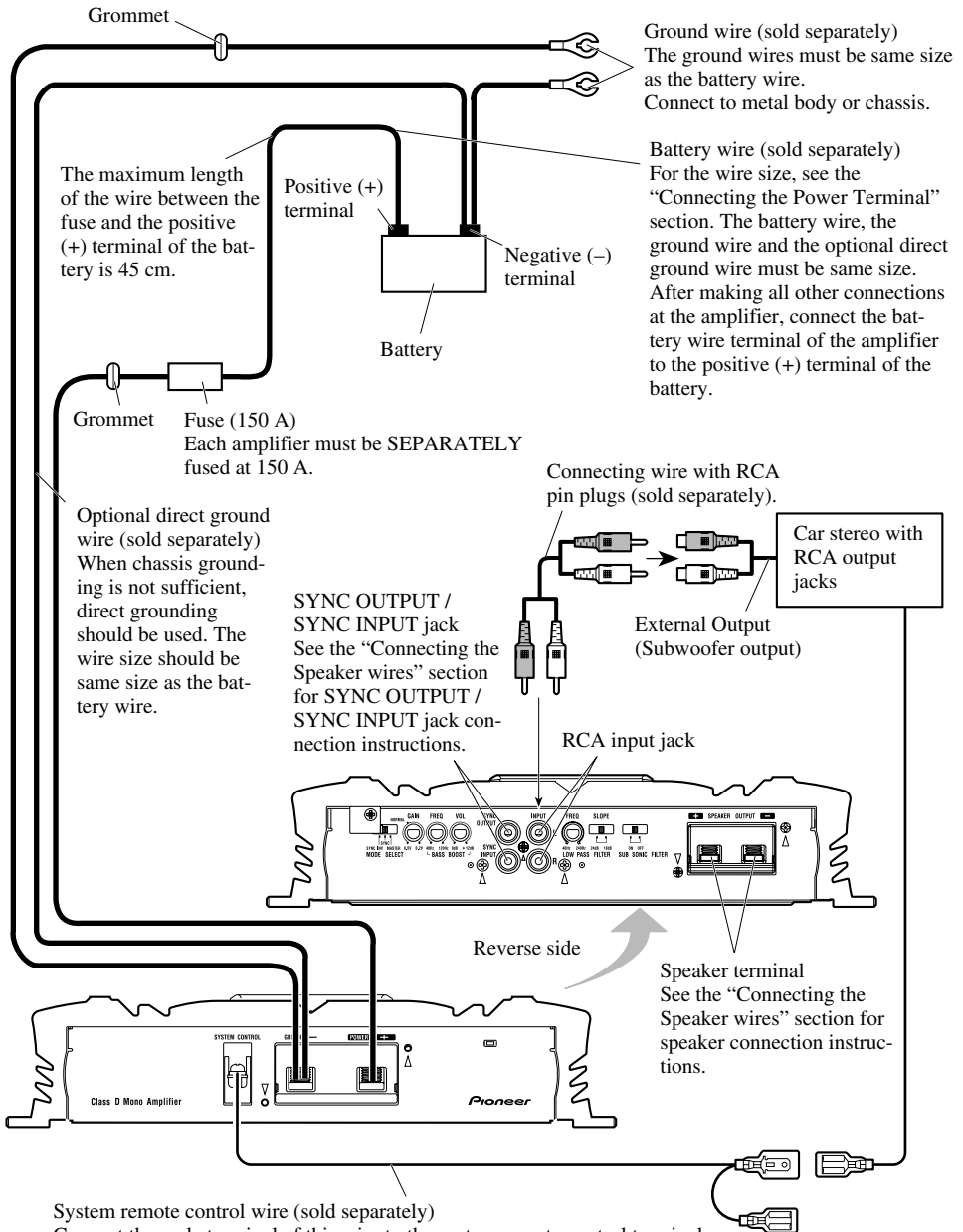
- Do not ground the speaker wire directly or connect a negative (–) lead wire for several speakers.
- This unit is for vehicles with a 12-volt battery and negative grounding. Before installing it in a recreational vehicle, truck or bus, check the battery voltage.
- If the car stereo is kept on for a long time while the engine is at rest or idling, the battery may go dead. Turn the car stereo off when the engine is at rest or idling.
- If the system remote control wire of the amplifier is connected to the power terminal through the ignition switch (12 V DC), the amplifier will always be on when the ignition is on— regardless of whether the car stereo is on or off. Because of this, the battery could go dead if the engine is at rest or idling.
- DO NOT connect a subwoofer with a lower impedance than specified in the “Connecting the Unit” section. Amplifier damage, smoke, and overheating could result from a non-specified connection. The amplifier surface could also become hot to the touch and minor burns could result.

- Make sure that wires will not interfere with moving parts of the vehicle, such as the gearshift, handbrake or seat sliding mechanism.
- Never feed power to other equipment by cutting the insulation of the power supply wire to tap from the wire. The current capacity of the wire will be exceeded, causing overheating.
- Never replace the fuse with one of greater value or rating than the original fuse. Use of an improper fuse could result in overheating and smoke and could cause damage to the product and injury including burns.

- Connect either of two subwoofers to the amplifier; 1: a subwoofer with a 750 W or larger nominal input and an impedance 4 Ω , or 2: a subwoofer with a 1,500 W or larger nominal input and an impedance 2 Ω . If the nominal input and impedance are out of the above ranges, the subwoofer may catch fire, emit smoke or become damaged.
- Install and route the separately sold battery wire as far away as possible from the speaker wires. Install and route the separately sold battery wire, ground wire, speaker wires and the amplifier as far away as possible from the antenna, antenna cable and tuner.

- Cords for this product and those for other products may be different colors even if they have the same function. When connecting this product to another product, refer to the supplied Installation manuals of both products and connect cords that have the same function.

Connection Diagram



Ground wire (sold separately)
The ground wires must be same size as the battery wire.
Connect to metal body or chassis.

Battery wire (sold separately)
For the wire size, see the "Connecting the Power Terminal" section. The battery wire, the ground wire and the optional direct ground wire must be same size.
After making all other connections at the amplifier, connect the battery wire terminal of the amplifier to the positive (+) terminal of the battery.

The maximum length of the wire between the fuse and the positive (+) terminal of the battery is 45 cm.

Fuse (150 A)
Each amplifier must be SEPARATELY fused at 150 A.

Optional direct ground wire (sold separately)
When chassis grounding is not sufficient, direct grounding should be used. The wire size should be same size as the battery wire.

Connecting wire with RCA pin plugs (sold separately).

Car stereo with RCA output jacks

External Output (Subwoofer output)

SYNC OUTPUT / SYNC INPUT jack
See the "Connecting the Speaker wires" section for SYNC OUTPUT / SYNC INPUT jack connection instructions.

RCA input jack

Reverse side

Speaker terminal
See the "Connecting the Speaker wires" section for speaker connection instructions.

System remote control wire (sold separately)
Connect the male terminal of this wire to the system remote control terminal of the car stereo (SYSTEM REMOTE CONTROL). The female terminal can be connected to the auto-antenna relay control terminal. If the car stereo does not have a system remote control terminal, connect the male terminal to the power terminal through the ignition switch.

Connecting the Unit

Connecting the Power Terminal

- Always use the recommended battery and ground wire, which is sold separately. Connect the battery wire directly to the car battery positive terminal (+) and the ground wire to the car body.
- Recommended wires size (AWG: American Wire Gauge) is as follows. The battery wire, the ground wire and the optional direct ground wire must be same size.

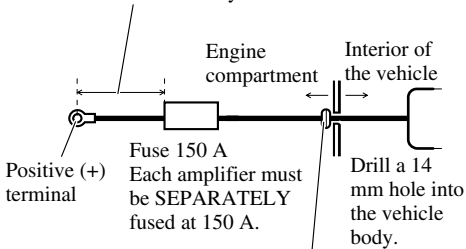
Battery Wire and Ground Wire Size

Wire Length	less than 1.2 m	1.2—2.1 m	2.1—3.0 m
Wire Size	4 AWG	4 AWG	2 AWG
3.0—3.9 m	3.9—4.8 m	4.8—5.7 m	5.7—6.7 m
2 AWG	1 AWG	1 AWG	0 AWG

1. Pass the battery wire from the engine compartment to the interior of the vehicle.

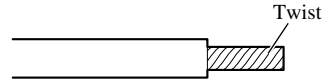
- After making all other connections to the amplifier, connect the battery wire terminal of the amplifier to the positive (+) terminal of the battery.

The maximum length of the wire between the fuse and the positive (+) terminal of the battery is 45 cm.



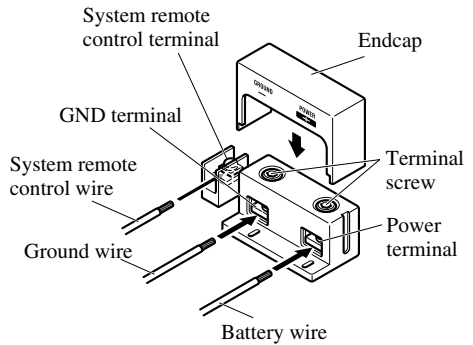
Insert the O-ring rubber grommet into the vehicle body.

2. Twist the battery wire, ground wire and system remote control wire.



3. Connect the wires to the terminal.

- Before connecting the wires to the terminals, remove the endcap. After connecting the wires to the terminals, attach the endcap.
- Fix the wires securely with the terminal screws.

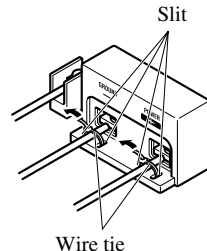


⚠ WARNING

Failure to securely fasten the battery wire to the terminal using the terminal screws could cause the terminal area to overheat and could result in damage and injury including minor burns.

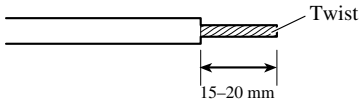
4. Put the wire ties in the slits and wrap the wire ties around the wires.

- Wrap the wire tie around the wire insulation, not the stripped wire.



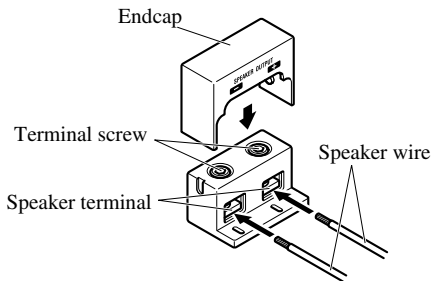
Connecting the Speaker Terminals

1. Expose the end of the speaker wires using nippers or a cutter by about 15–20 mm and twist.



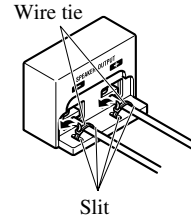
2. Connect the speaker wires to the speaker terminals.

- Before connecting the wires to the terminals, remove the endcap. After connecting the wires to the terminals, attach the endcap.
- Fix the speaker wires securely with the terminal screws.



3. Put the wire ties in the slits and wrap the wire ties around the wires.

- Wrap the wire tie around the wire insulation, not the stripped wire.



Setting the Gain for synced amplifier

After connecting the speaker wires, adjust each synced amplifier's gain control. All synced amplifiers follow the master amplifier's settings.

Quick Setup of the Gain

Set each synced amplifier's gain control to the NORMAL position. This setting will balance output volumes sufficiently for most applications.

Advanced Setup of the Gain

Starting with the master amplifier, adjust the gain control on each amplifier in order.

1. Output sin wave through this system at low output level.
2. Use volt meter to measure the master amplifier's output voltage level.
3. Use volt meter to measure the synced amplifier's output voltage level.
4. Match the synced amplifier's output to the master's output using the gain control on the synced amplifier.
5. Repeat for the each synced amplifier in the proper order.

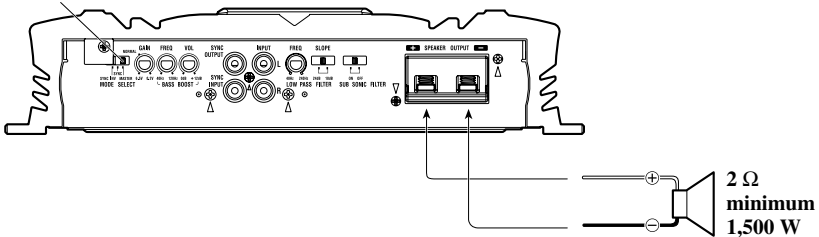
Connecting the Speaker wires

Connect the speaker leads to suit the configuration according to the figures shown below and the next page.

Single Amplifier

- Speaker wire size must be 10 AWG minimum.
- Load may be any combination of speakers but impedance must be 2Ω or larger.

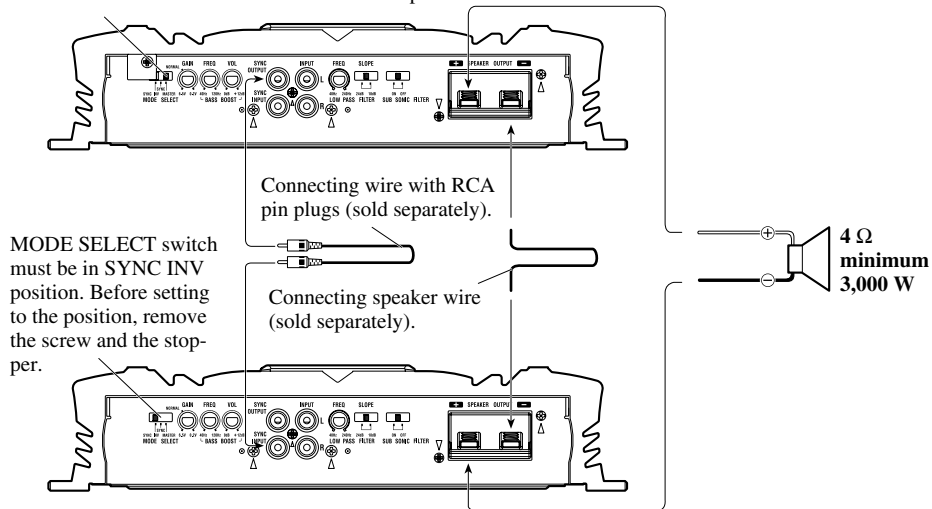
MODE SELECT switch must be in MASTER position.



Two Amplifier Bridged

- Speaker wire size must be 10 AWG minimum.
- Load may be any combination of speakers but impedance must be 4 Ω or larger.

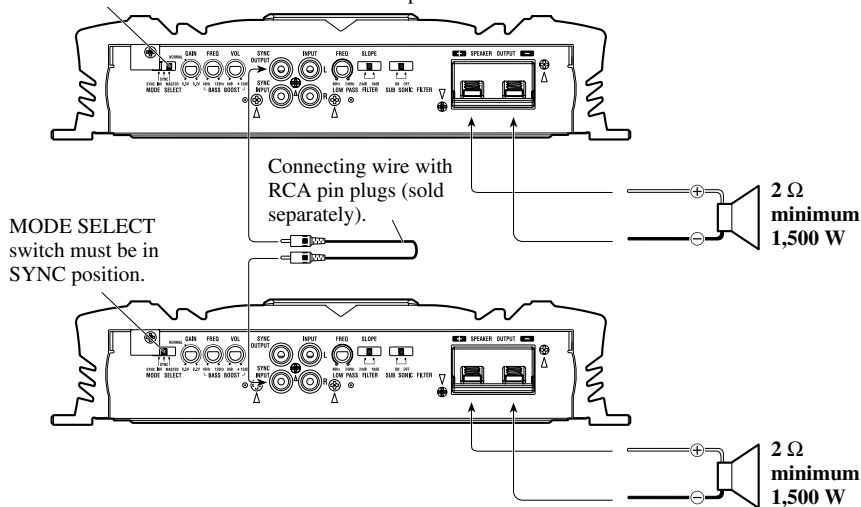
MODE SELECT switch must be in MASTER position.



Two Amplifier

- Speaker wire size must be 10 AWG minimum.
- Load may be any combination of speakers but impedance must be 2 Ω or larger.

MODE SELECT switch must be in MASTER position.

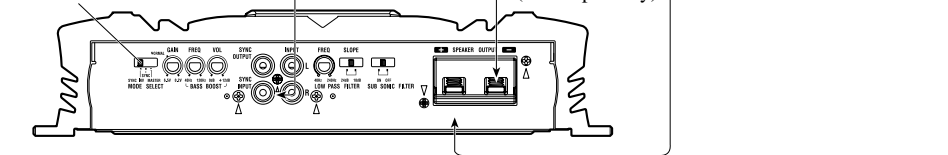
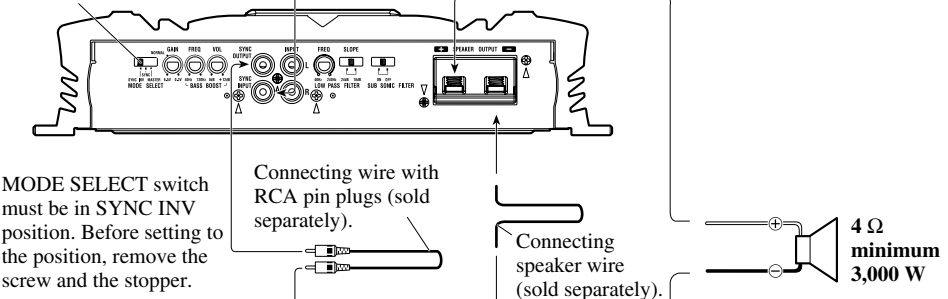
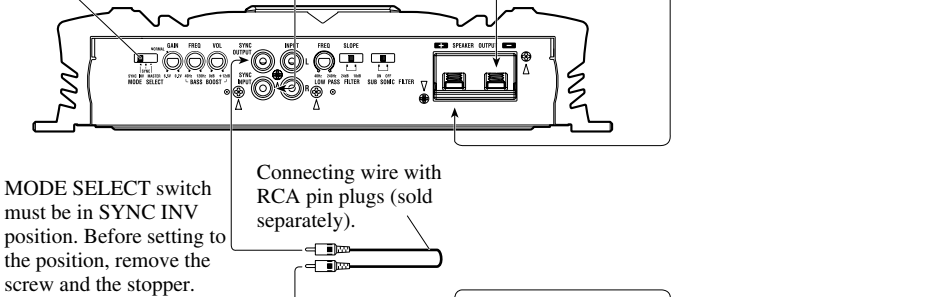
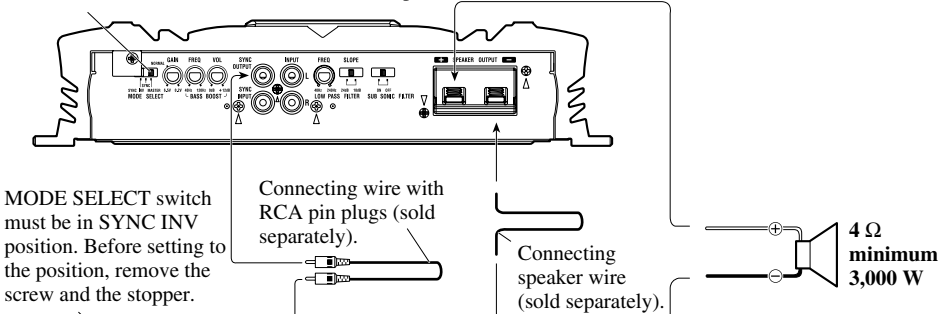


Connecting the Unit

Four Amplifier Bridged

- Speaker wire size must be 10 AWG minimum.
- Load may be any combination of speakers but impedance must be 4 Ω or larger.

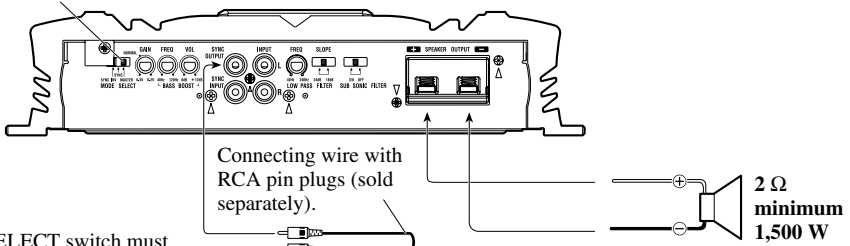
MODE SELECT switch must be in MASTER position.



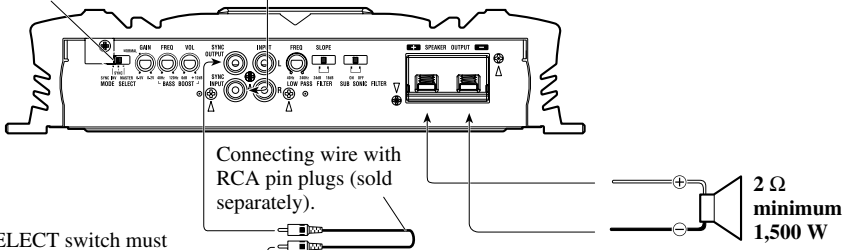
Four Amplifier

- Speaker wire size must be 10 AWG minimum.
- Load may be any combination of speakers but impedance must be 2 Ω or larger.

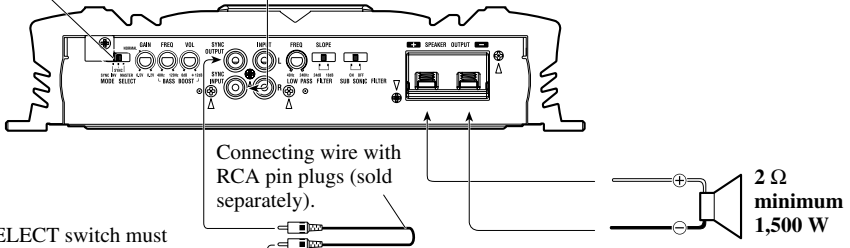
MODE SELECT switch must be in MASTER position.



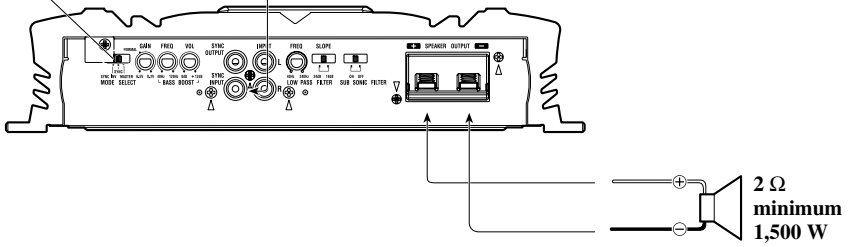
MODE SELECT switch must be in SYNC position.



MODE SELECT switch must be in SYNC position.



MODE SELECT switch must be in SYNC position.



! CAUTION

- Do not install in:
 - Places where it could injure the driver or passengers if the vehicle stops suddenly.
 - Places where it may interfere with the driver, such as on the floor in front of the driver's seat.
- Make sure that wires are not caught in the sliding mechanism of the seats, resulting in a short-circuit.
- Confirm that no parts are behind the panel when drilling a hole for installation of the amplifier. Protect all cables and important equipment such as fuel lines, brake lines and electrical wiring from damage.
- Install tapping screws in such a way that the screw tip does not touch any wire. This is important to prevent wires from being cut by vibration of the car, which can result in fire.
- DO NOT allow amplifier to come into contact with liquids due to, for example, the location where the amplifier is installed. Electrical shock could result. Also, amplifier and speaker damage, smoke, and overheating could result from contact with liquids. In addition, the amplifier surface and the surface of any attached speakers could become hot to the touch and minor burns could result.
- To ensure proper installation, use the supplied parts in the manner specified. If any parts other than the supplied ones are used, they may damage internal parts of the amplifier, or they may become loose causing the amplifier to shut down.
- Never replace the fuse with one of greater value or rating than the original fuse. Use of an improper fuse could result in overheating and smoke and could cause damage to the product and injury including burns.

! CAUTION:

To prevent malfunction and/or injury

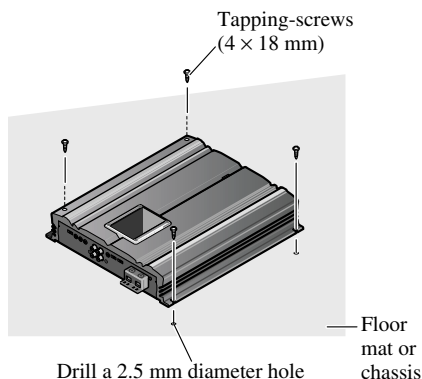
- To ensure proper heat dissipation of the amplifier, be sure of the following during installation.
 - Allow adequate space above the amplifier for proper ventilation.
 - Do not cover the amplifier with a floor mat or carpet.
- DO NOT allow amplifier to come into contact with liquids due to, for example, the location where the amplifier is installed. Electrical shock could result. Also, amplifier and speaker damage, smoke, and overheating could result from contact with liquids. In addition, the amplifier surface and the surface of any attached speakers could

become hot to the touch and minor burns could result.

- Do not install the amplifier on unstable places such as the spare tire board.
- The best location for installation differs with the car model and installation location. Secure the amplifier at a sufficiently rigid location.
- Make temporary connections first and check that the amplifier and the system operate properly.
- After installing the amplifier, confirm that the spare tire, jack and tools can be easily removed.

Example of installation on the floor mat or on the chassis

1. Place the amplifier where it is to be installed. Insert the supplied tapping screws (4 × 18 mm) into the screw holes. Push on the screws with a screwdriver so they make marks where the installation holes are to be located.
2. Drill 2.5 mm diameter holes at the point marked, and install the amplifier, either on the carpet or directly to the chassis.



Power source	14.4 V DC (10.8 — 15.1 V allowable)
Grounding system	Negative type
Current consumption	70 A (at continuous power, 4 Ω)
Average current drawn*	10.6 A (4 Ω for one channel) 15.6 A (2 Ω for one channel)
Fuse	150 A
Dimensions	300 (W) \times 64 (H) \times 330 (D) mm
Weight	7.3 kg (Leads for wiring not included)
Maximum power output	1,500 W \times 1 (4 Ω) / 3,000 W \times 1 (2 Ω)
Continuous power output	1,100 W \times 1 (4 Ω) / 1,950 W \times 1 (2 Ω) (DIN45324, +B=14.4 V)
Load impedance	4 Ω (2 — 8 Ω allowable), (Ex. Bridge 4 — 16 Ω)
Frequency response	10 — 240 Hz (+0 dB, -1 dB)
S/N ratio	90 dB (IEC-A network)
Distortion	0.05 % (50 W, 100 Hz)
Low pass filter	Cut off frequency: 40 — 240 Hz Cut off slope: -18, -24 dB/oct
Subsonic filter (HPF)	Frequency: 20 Hz Slope: -18 dB
Bass boost	Level: 0 — 12 dB Frequency: 40 — 120 Hz
Phase control	SYNC, SYNC INV
Gain control	200 mV — 6.5 V
Maximum input level / impedance	RCA: 6.5 V / 22 k Ω

Note:

- Specifications and the design are subject to possible modification without notice due to improvements.

*Average current drawn

- The average current drawn is nearly the maximum current drawn by this unit when an audio signal is input. Use this value when working out total current drawn by multiple power amplifiers.

Antes de usar este producto	2	Conexión de la unidad	5
En caso de desperfectos	2	Diagrama de conexión	6
Sobre este producto	2	Conexión del terminal de alimentación	7
PRECAUCIÓN	2	Conexión del terminal de altavoz	8
ADVERTENCIA	2	Ajuste de la ganancia del amplificador sincronizado	9
Ajuste de esta unidad	3	Configuración rápida de la ganancia	9
Control de ganancia	3	Configuración avanzada de la ganancia	9
Interruptor MODE SELECT	3	Conexión de los cables de altavoces	9
Control del nivel de refuerzo de graves	3	Instalación	13
Control de la frecuencia de refuerzo de graves	3	Ejemplo de instalación en la alfombra del piso o en el chasis	13
Interruptor de selección de pendiente	3	Especificaciones	14
Control de frecuencia de corte para LPF	4		
Interruptor selector subsónico	4		
Interruptor BFC (Control de la frecuencia de batido)	4		
Indicador de alimentación	4		

Muchas gracias por la adquisición de este producto PIONEER. Antes de tratar de operarlo, lea atentamente este manual.

En caso de desperfectos

Si esta unidad no funciona correctamente, póngase en contacto con su distribuidor o con el Centro de Servicio PIONEER autorizado más cercano.

Sobre este producto

Este producto es un amplificador de clase D para altavoz de subgraves. Si ambos los canales L (izquierdo) y R (derecho) se conectan a la entrada RCA de este producto, la salida se mezcla ya que este producto es un amplificador monofónico.



PRECAUCIÓN

No reemplace nunca el fusible por uno con un valor de régimen mayor que el fusible original. El uso de un fusible inadecuado podría causar el sobrecalentamiento o humo, así como podría causar daños al producto y lesiones, incluyendo quemaduras.

ADVERTENCIA

- Utilice siempre los cables de batería y de conexión a tierra recomendados, que se venden separadamente. Conecte el cable de batería directamente al terminal positivo de la batería del vehículo (+) y el cable de tierra a la carrocería del vehículo.
- No toque en el amplificador con las manos mojadas. Caso contrario, usted puede llevar un choque eléctrico. Igualmente, no toque en el amplificador cuando esté mojado.
- Para seguridad del tráfico y para mantener condiciones de conducción seguras, mantenga el volumen suficientemente bajo de manera que aun se pueda escuchar el sonido del tráfico normal.
- Verifique las conexiones del suministro de energía y del altavoz de subgraves si se quema un fusible para el cable de batería vendido separadamente. Detecte la causa y solucione el problema, y reemplace el fusible con un otro del mismo tamaño y régimen.
- Para evitar mal funcionamiento del amplificador y altavoz de subgraves, el circuito de protección cortará la alimentación al amplificador (el sonido se detendrá) cuando se produzca una situación anormal. En tal caso, apague el sistema y verifique la conexión de la alimentación y altavoz de subgraves. Detecte la causa y resuelva el problema.
- Contacte a su distribuidor si no puede detectar la causa.
- Para evitar choques eléctricos o cortocircuitos durante la conexión e instalación, asegúrese de desconectar el terminal negativo (-) de la batería antes de proceder.
- Confirme que ninguna parte quede detrás del panel, cuando perfore un orificio para la instalación del amplificador. Asegúrese de proteger todos los cables y equipos importantes, tales como líneas de combustibles, líneas de frenos y el cableado eléctrico.
- NO permita que el amplificador entre en contacto con líquidos debido a, por ejemplo, la localización donde el amplificador esté instalado. Esto podría causar una sacudida eléctrica. El contacto con líquidos también podría causar daños y sobrecalentamiento al amplificador e altavoces. Además, la superficie del amplificador y la superficie de cualquier altavoz instalado también podrían ponerse muy calientes al tacto, pudiendo causar pequeñas quemaduras.

Control de ganancia

Si el nivel del sonido está muy bajo, aún cuando se aumenta el volumen del equipo estéreo para automóvil usado con este amplificador de potencia, gire a la izquierda el control de ganancia en la parte delantera del amplificador de potencia. Si hay distorsión del sonido cuando se aumenta el volumen del equipo estéreo de automóvil, gire los controles a la izquierda.

- Cuando se usa un estéreo de automóvil equipado con RCA (salida estándar de 500 mV), ajuste a la posición normal. Cuando use con un estéreo de automóvil Pioneer equipado con RCA con una salida máxima de 4 V o más, ajuste el nivel para adecuarse al nivel de salida del estéreo del automóvil.
- Para el control de ganancia del amplificador sincronizado, consulte la sección "Ajuste de la ganancia para el amplificador sincronizado".

Interruptor MODE SELECT

Puede seleccionar el modo de sincronización de amplificador entre MASTER, SYNC y SYNC INV. Para la posición del interruptor MODE SELECT, consulte la sección "Conexión de los cables de altavoces".

Control del nivel de refuerzo de graves

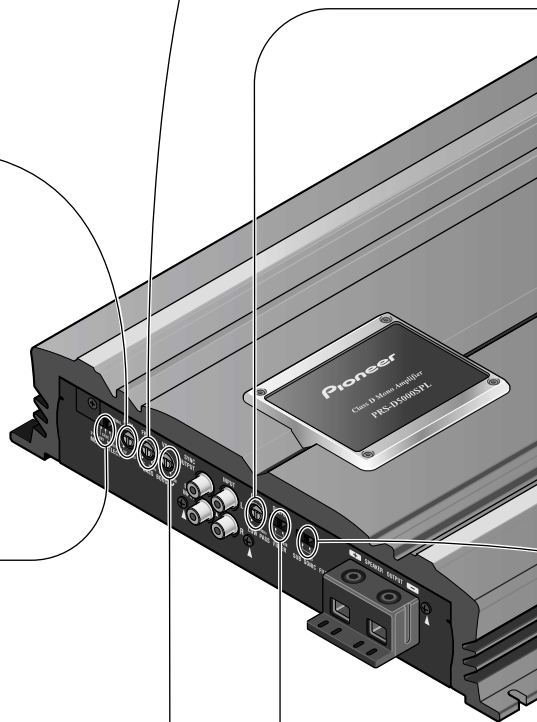
El control del nivel de refuerzo de graves puede reforzar el nivel alrededor de la frecuencia seleccionada por el control de la frecuencia de refuerzo de graves de 0 a 12 dB.

Control de la frecuencia de refuerzo de graves

Se puede seleccionar una frecuencia de refuerzo de graves desde 40 a 120 Hz con el control de refuerzo de graves.

Interruptor de selección de pendiente

Puede seleccionar una pendiente para el LPF entre -18 y -24 dB.

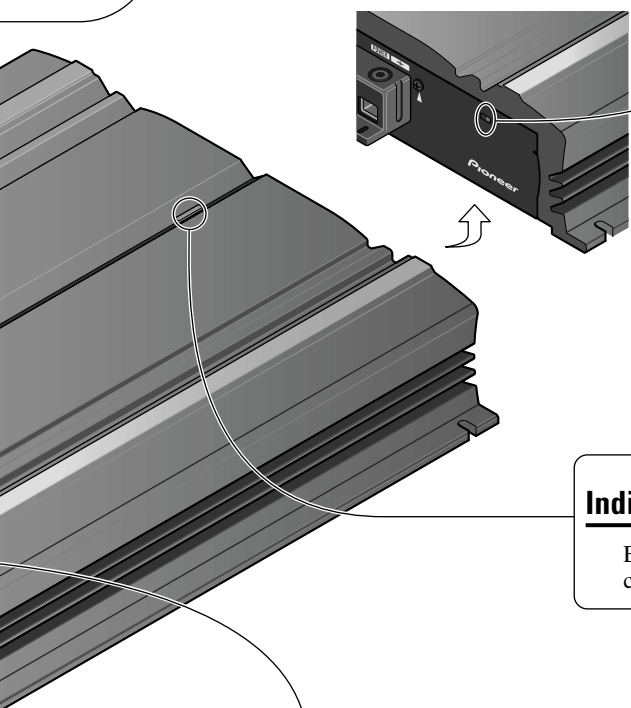


Control de frecuencia de corte para LPF

Se puede seleccionar una frecuencia de corte de 40 a 240 Hz.

Interruptor BFC (Control de la frecuencia de batido)

Si escucha sonidos de batido mientras está recibiendo una emisora de MW/LW con su estéreo de automóvil, cambie el interruptor BFC usando un destornillador pequeño.



Indicador de alimentación

El indicador de alimentación se ilumina cuando la unidad se encuentra activada.

Interruptor selector subsónico

El filtro subsónico corta las frecuencias inaudibles inferiores a 20 Hz, para eliminar las vibraciones indeseables y minimizar la pérdida de potencia.



PRECAUCIÓN

- Quite el terminal negativo (–) de la batería para evitar riesgo de cortocircuitos y daño a la unidad.
 - Asegure el alambrado con abrazaderas de cable o cinta adhesiva. Para proteger el alambrado, envuelva cinta adhesiva alrededor de ellos en donde contacta con partes metálicas.
 - No tienda cables por donde puedan calentarse, por ejemplo donde el calentador sopla sobre ellos. Si la aislación se calienta, podría resultar dañada, resultando en cortocircuito a través de la carrocería del vehículo.
- Asegúrese que los alambres no interfieran con partes móviles del vehículo como la palanca de cambios, el freno de mano o el mecanismo de deslizamiento de los asientos.
 - Nunca alimente otro equipo cortando la aislación del cable de alimentación y conectándolo al cable. La capacidad de corriente del cable será excedida, causando sobrecalentamiento.
 - No reemplace nunca el fusible por uno con un valor de régimen mayor que el fusible original. El uso de un fusible inadecuado podría causar el sobrecalentamiento o humo, así como podría causar daños al producto y lesiones, incluyendo quemaduras.

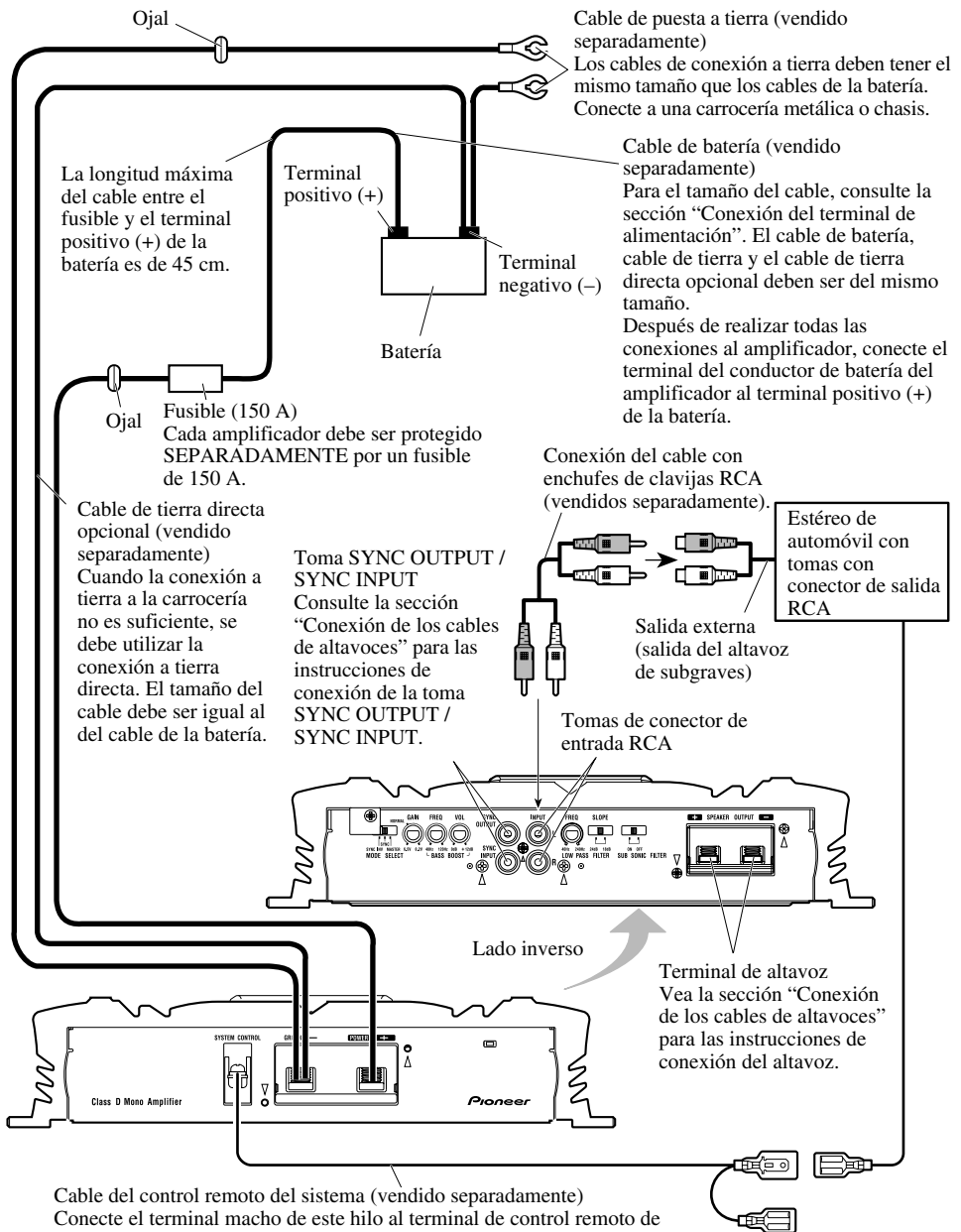


PRECAUCIÓN:

Para evitar daños y/o lesiones

- No conecte a tierra (masa) el cable del altavoz directamente ni conecte un cable negativo (–) a varios altavoces.
 - Esta unidad es para vehículos con una batería de 12 voltios y terminal negativo a tierra. Antes de instalar en un vehículo de recreación, camión u ómnibus, verifique el voltaje de la batería.
 - Si el sistema estereofónico del coche está funcionando por un largo período de tiempo mientras el motor permanece inactivo o en marcha al ralentí, la batería puede agotarse. Apague el estéreo de automóvil cuando el motor se encuentre funcionando en marcha al ralentí o permanece in activo.
 - Si el cable del control remoto del sistema del amplificador se conecta al terminal de alimentación a través del interruptor de encendido (12 V de CC), el amplificador estará siempre activado cuando el encendido está activado, sin considerar de si el estéreo de automóvil se encuentra activado o desactivado. Debido a esto, la batería puede agotarse si deja el motor funcionando en marcha al ralentí o permanece inactivo.
 - NO conecte un altavoz de subgraves con una impedancia inferior a la especificada en la sección “Conexión de la unidad”. Una conexión no especificada podría causar daños, desprendimiento de humo y sobrecalentamiento del amplificador. La superficie del amplificador también podría ponerse caliente al tacto y esto podría resultar en quemaduras ligeras.
- Conecte uno de los dos altavoces de subgraves al amplificador; 1: un altavoz de subgraves con una entrada nominal de 750 W o mayor y una impedancia de 4 Ω , o 2: un altavoz con una entrada nominal de 1.500 W y una impedancia de 2 Ω . Si la entrada nominal y la impedancia están fuera de los rangos arriba, el altavoz de subgraves puede incendiarse, emitir humo o averiarse.
 - Instale y coloque el cable de batería vendido separadamente lo más alejado posible de los cables de los altavoces. Instale y coloque el cable de batería y cable de tierra vendidos separadamente, los cables de los altavoces, y el amplificador lo más alejados posible de la antena, cable de antena y sintonizador.
- Los cables para esta unidad y aquéllas para las unidades pueden ser de colores diferentes aun si tienen la misma función. Cuando se conecta esta unidad a otra, refiérase a los manuales de instalación de ambas unidades y conecte los cables que tienen la misma función.

Diagrama de conexión



Conexión del terminal de alimentación

- Utilice siempre los cables de batería y de conexión a tierra recomendados, que se venden separadamente. Conecte el cable de batería directamente al terminal positivo de la batería del vehículo (+) y el cable de tierra a la carrocería del vehículo.
- A continuación se indica el tamaño recomendado para los cables (AWG: American Wire Gauge). El cable de batería, cable de tierra y el cable de tierra directa opcional deben ser del mismo tamaño.

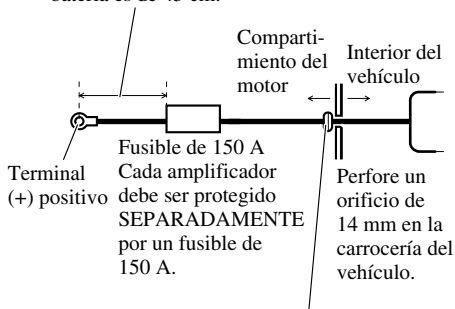
Tamaño del cable de batería y cable de puesta a tierra

Longitud del cable	inferior a 1,2 m	1,2—2,1 m	2,1—3,0 m
Tamaño del cable	4 AWG	4 AWG	2 AWG
<hr/>			
3,0—3,9 m	3,9—4,8 m	4,8—5,7 m	5,7—6,7 m
2 AWG	1 AWG	1 AWG	0 AWG

1. Pase el cable de batería desde el compartimiento del motor al interior del vehículo.

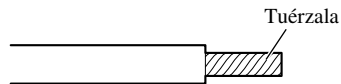
- Luego de hacer todas las otras conexiones al amplificador, conecte el terminal del conductor de batería del amplificador al terminal positivo (+) de la batería.

La longitud máxima del cable entre el fusible y el terminal positivo (+) de la batería es de 45 cm.



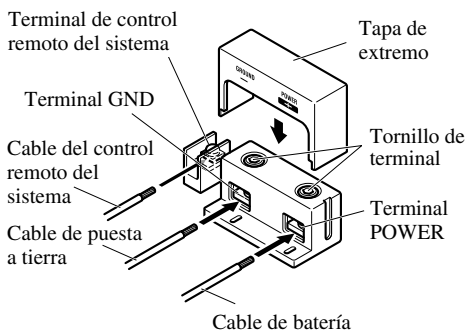
Inserte el ojal de caucho de la junta tórica en la carrocería del vehículo.

2. Tuerza el cable de batería, cable de puesta a tierra y cable de control remoto del sistema.



3. Conecte los cables al terminal.

- Antes de conectar los cables a los terminales, quite la tapa de extremo. Después de conectar los cables a los terminales, ponga la tapa de extremo.
- Fijar los cables firmemente utilizando los tornillos para terminales.

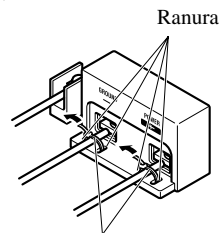


⚠ ADVERTENCIA

Dejar de apretar firmemente el cable de puesta a tierra al terminal usando los tornillos para terminales podría causar el sobrecalentamiento del área de los terminales, así como podría causar daños y lesiones incluyendo pequeñas quemaduras.

4. Ponga las bandas de enlace de cable en las ranuras y arrolle las bandas de enlace alrededor de los cables.

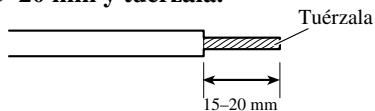
- Arrolle la banda de enlace de cable alrededor del aislamiento de cable, y no en el hilo desnudo.



Banda de enlace de cable

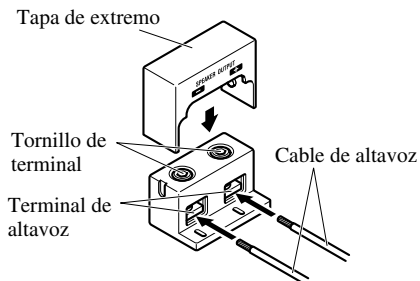
Conexión del terminal de altavoz

1. **Desnude la extremidad de los cables de altavoces utilizando alicates o una tajadera por aproximadamente 15–20 mm y tuérzala.**



2. **Conecte los cables de altavoz al terminal de altavoz.**

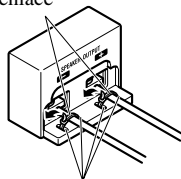
- Antes de conectar los cables a los terminales, quite la tapa de extremo. Después de conectar los cables a los terminales, ponga la tapa de extremo.
- Fije los cables firmemente utilizando los tornillos para terminales.



3. **Ponga las bandas de enlace de cable en las ranuras y arrolle las bandas de enlace alrededor de los cables.**

- Arrolle la banda de enlace de cable alrededor del aislamiento de cable, y no en el hilo desnudo.

Banda de enlace de cable



Ajuste de la ganancia del amplificador sincronizado

Después de conectar los cables de altavoces, ajuste cada control de ganancia del amplificador sincronizado. Todos los amplificadores sincronizados siguen los ajustes del amplificador principal.

Configuración rápida de la ganancia

Ajuste el control de ganancia de cada amplificador sincronizado a la posición NORMAL. Este ajuste compensará los volúmenes de salida lo suficiente para la mayoría de las aplicaciones.

Configuración avanzada de la ganancia

Comenzando con el amplificador principal, ajuste el control de ganancia de cada amplificador sincronizado en orden.

1. Genere una onda sinusoidal a través de este sistema a un nivel de salida bajo.
2. Utilice un voltímetro para medir el nivel de voltaje de salida del amplificador.
3. Utilice un voltímetro para medir el nivel de voltaje de salida del amplificador sincronizado.
4. Iguale la salida del amplificador sincronizado con la salida del amplificador principal utilizando el control de ganancia del amplificador sincronizado.
5. Repita esto para cada amplificador sincronizador en la secuencia apropiada.

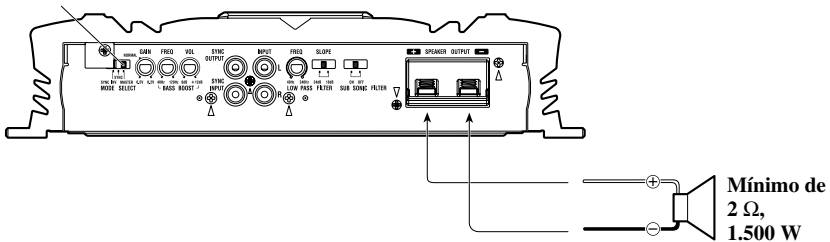
Conexión de los cables de altavoces

Conecte los conductores de altavoces para la configuración deseada de acuerdo con las figuras que se muestran a continuación y en la página siguiente.

Amplificador simple

- El tamaño del cable de altavoz debe ser de por lo menos 10 AWG.
- La carga puede ser cualquier combinación de altavoces, pero la impedancia debe ser de 2Ω o más.

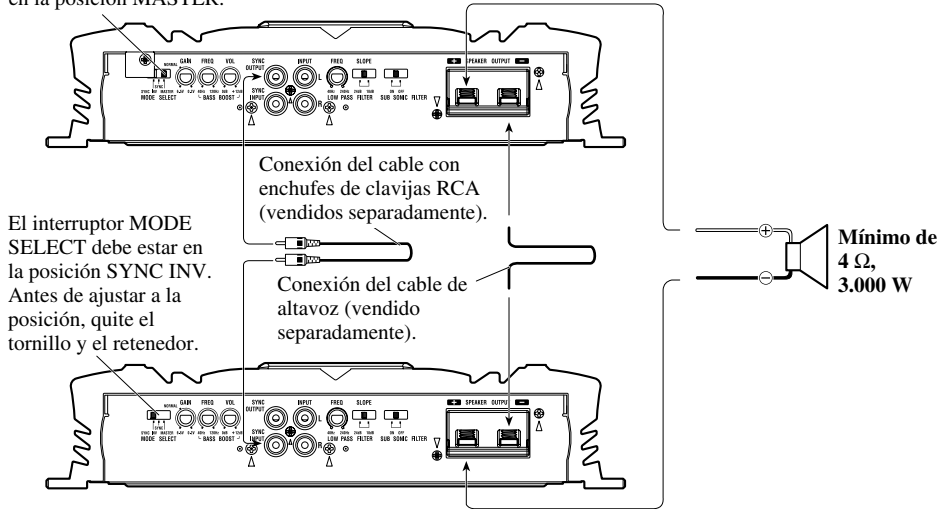
El interruptor MODE SELECT debe estar en la posición MASTER.



Dos amplificadores en puente

- El tamaño del cable de altavoz debe ser de por lo menos 10 AWG.
- La carga puede ser cualquier combinación de altavoces, pero la impedancia debe ser de 4 Ω o más.

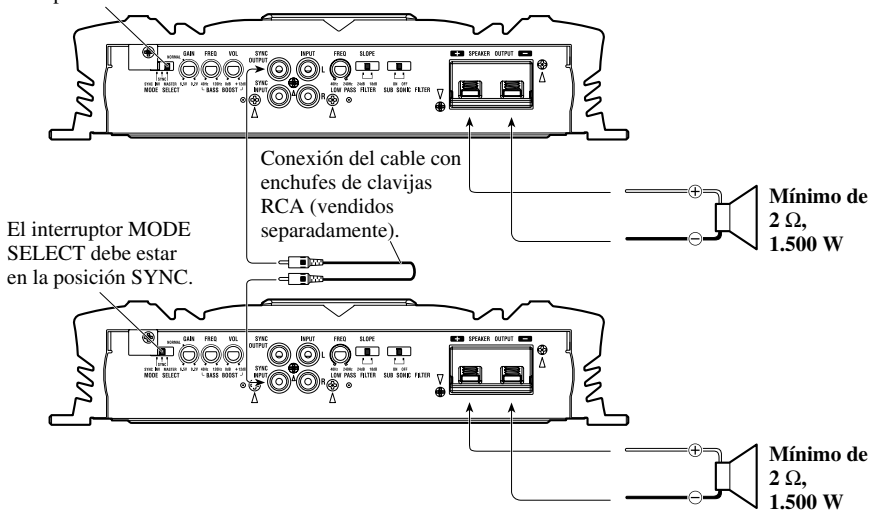
El interruptor MODE SELECT debe estar en la posición MASTER.



Dos amplificadores

- El tamaño del cable de altavoz debe ser de por lo menos 10 AWG.
- La carga puede ser cualquier combinación de altavoces, pero la impedancia debe ser de 2 Ω o más.

El interruptor MODE SELECT debe estar en la posición MASTER.

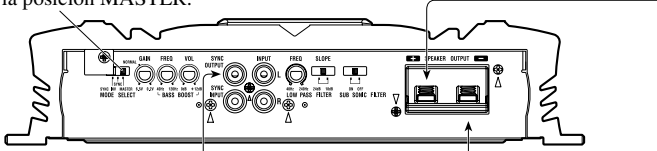


Conexión de la unidad

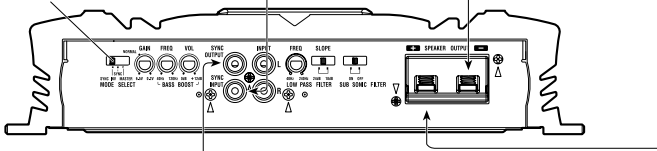
Cuatro amplificadores en puente

- El tamaño del cable de altavoz debe ser de por lo menos 10 AWG.
- La carga puede ser cualquier combinación de altavoces, pero la impedancia debe ser de 4 Ω o más.

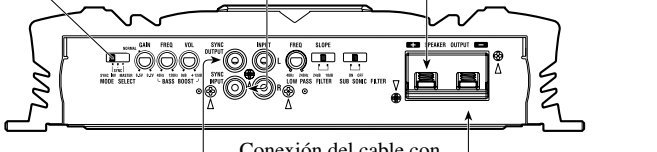
El interruptor MODE SELECT debe estar en la posición MASTER.



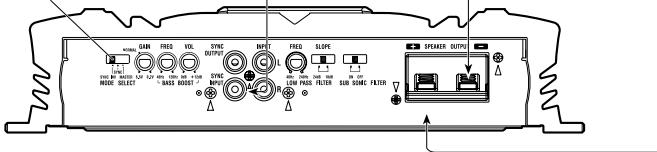
El interruptor MODE SELECT debe estar en la posición SYNC INV. Antes de ajustar a la posición, quite el tornillo y el retenedor.



El interruptor MODE SELECT debe estar en la posición SYNC INV. Antes de ajustar a la posición, quite el tornillo y el retenedor.

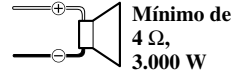


El interruptor MODE SELECT debe estar en la posición SYNC INV. Antes de ajustar a la posición, quite el tornillo y el retenedor.



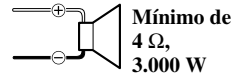
Conexión del cable con enchufes de clavijas RCA (vendidos separadamente).

Conexión del cable de altavoz (vendido separadamente).



Conexión del cable con enchufes de clavijas RCA (vendidos separadamente).

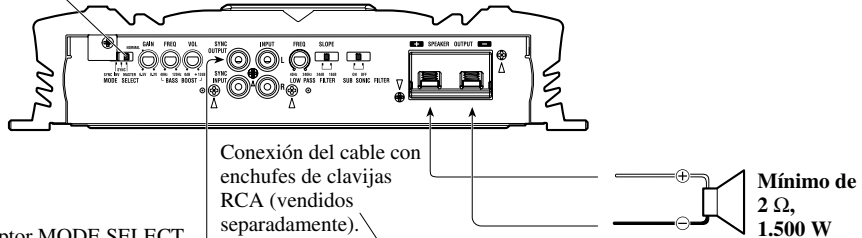
Conexión del cable de altavoz (vendido separadamente).



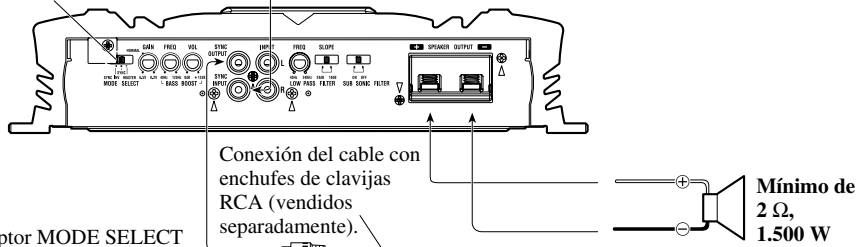
Cuatro amplificadores

- El tamaño del cable de altavoz debe ser de por lo menos 10 AWG.
- La carga puede ser cualquier combinación de altavoces, pero la impedancia debe ser de 2 Ω o más.

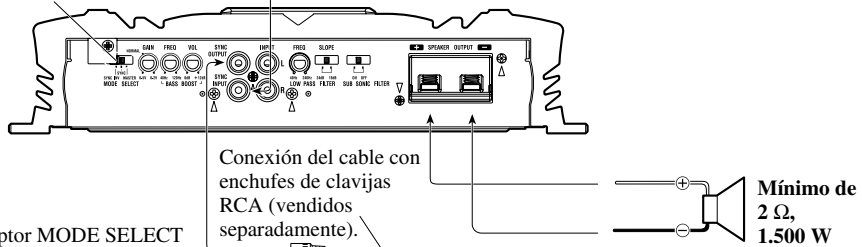
El interruptor MODE SELECT debe estar en la posición MASTER.



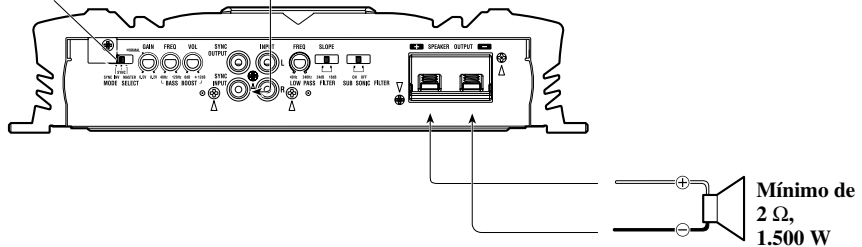
El interruptor MODE SELECT debe estar en la posición SYNC.



El interruptor MODE SELECT debe estar en la posición SYNC.



El interruptor MODE SELECT debe estar en la posición SYNC.



! PRECAUCIÓN

- No lo instale en:
 - Donde podría lesionar al conductor o a los pasajeros si se detiene el vehículo bruscamente.
 - Donde podría interferir con el conductor, como por ejemplo en el piso en frente al asiento del conductor.
- Asegúrese que los cables no se enganchen en el mecanismo deslizante de los asientos, resultando en cortocircuito.
- Confirme que ninguna parte quede detrás del panel, cuando perfore un orificio para la instalación del amplificador. Asegúrese de proteger todos los cables y equipos importantes, tales como líneas de combustibles, líneas de frenos y el cableado eléctrico.
- Instale los tornillos de conexión de manera tal que la punta del tornillo no toque ningún cable. Esto es importante para evitar que los cables se corten por vibración del automóvil, lo que podría causar un incendio.
- NO permita que el amplificador entre en contacto con líquidos debido a, por ejemplo, la localización donde el amplificador esté instalado. Esto podría causar una sacudida eléctrica. El contacto con líquidos también podría causar daños y sobrecalentamiento al amplificador e altavoces. Además, la superficie del amplificador y la superficie de cualquier altavoz instalado también podrían ponerse muy calientes al tacto, pudiendo causar pequeñas quemaduras.
- Para asegurar una instalación apropiada, utilice las partes suministradas de la manera especificada. Si se utiliza cualquier otra parte que no sean las suministradas, puede dañarse las partes internas del amplificador, o pueden aflojarse y el amplificador puede dejar de funcionar.
- No reemplace nunca el fusible por uno con un valor de régimen mayor que el fusible original. El uso de un fusible inadecuado podría causar el sobrecalentamiento o humo, así como podría causar daños al producto y lesiones, incluyendo quemaduras.

! PRECAUCIÓN:

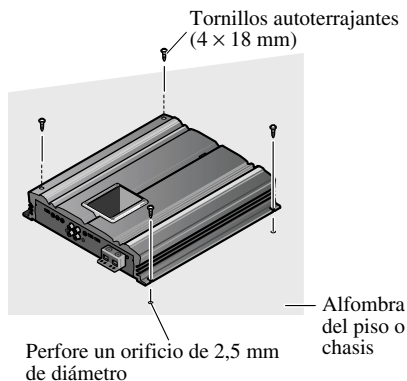
Para evitar fallas de funcionamiento y/o lesiones

- Para asegurar la disipación de calor apropiada del amplificador, cuide de lo siguiente durante la instalación.
 - Permita un espacio adecuado en la parte superior del amplificador para una ventilación apropiada.
 - No cubra el amplificador con la cubierta de piso o alfombra.
- NO permita que el amplificador entre en contacto con líquidos debido a, por ejemplo, la localización donde el amplificador esté instalado. Esto podría causar una sacudida eléctrica. El contacto con

- líquidos también podría causar daños y sobrecalentamiento al amplificador e altavoces. Además, la superficie del amplificador y la superficie de cualquier altavoz instalado también podrían ponerse muy calientes al tacto, pudiendo causar pequeñas quemaduras.
- No instale el amplificador sobre superficies inestables como el tablero del neumático de repuesto.
- Confirme que ninguna parte quede detrás del panel, cuando perfore un orificio para la instalación del amplificador. Asegúrese de proteger todos los cables y equipos importantes, tales como líneas de combustibles, líneas de frenos y el cableado eléctrico.
- Realice primero conexiones provisionarias y compruebe que el amplificador y el sistema operan adecuadamente.
- Para asegurar una instalación apropiada, utilice las partes suministradas de la manera especificada. Si se utiliza cualquier otra parte que no sean las suministradas, puede dañarse las partes internas del amplificador, o pueden aflojarse y el amplificador puede dejar de funcionar.

Ejemplo de instalación en la alfombra del piso o en el chasis

1. Ubique el amplificador en la posición en donde va a ser instalado. Inserte los tornillos autoterrajantes suministrados (4 × 18 mm) en los orificios de los tornillos. Presione los tornillos con un destornillador de modo que puedan dejar puntos marcados de la posición en donde irán los orificios para la instalación.
2. Perfore orificios de 2,5 mm de diámetro en el punto marcado, e instale el amplificador, ya sea en la alfombra o directamente en el chasis.



Alimentación	14,4 V CC (10,8 — 15,1 V permisible)
Sistema de puesta a tierra	Tipo negativo
Consumo de corriente	70 A (potencia continua, 4 Ω)
Consumo de corriente promedio*	10,6 A (4 Ω para uno canal) 15,6 A (2 Ω para uno canal)
Fusible	150 A
Dimensiones	300 (An) \times 64 (Al) \times 330 (Pr) mm
Peso	7,3 kg (No se incluyen los conductores para el cableado)
Potencia de salida máxima	1.500 W \times 1 (4 Ω) / 3.000 W \times 1 (2 Ω)
Potencia de salida continua	1.100 W \times 1 (4 Ω) / 1.950 W \times 1 (2 Ω) (DIN45324, +B = 14,4 V)
Impedancia de carga	4 Ω (2 — 8 Ω permisible), (Ej. Puente 4 — 16 Ω)
Respuesta de frecuencia	10 — 240 Hz (+0 dB, -1 dB)
Relación S/N	90 dB (rede IEC-A)
Distorsión	0,05% (50 W, 100 Hz)
Filtro de paso bajo	Frecuencia de corte: 40 — 240 Hz Pendiente de corte: -18, -24 dB/oct
Filtro subsónico (HPF)	Frecuencia: 20 Hz Pendiente: -18 dB
Intensificación de los graves	Nivel: 0 — 12 dB Frecuencia: 40 — 120 Hz
Control de fase	SYNC, SYNC INV
Control de ganancia	200 mV — 6,5 V
Impedancia / nivel de entrada máxima	RCA: 6,5 V / 22 k Ω

Nota:

- Las especificaciones y el diseño están sujetos a posibles modificaciones sin previo aviso debido a mejoramientos.

*Consumo de corriente promedio

- El consumo de corriente promedio es casi el consumo de corriente máximo de esta unidad, cuando se ingresa una señal de audio. Utilice este valor cuando tenga que trabajar con la corriente total consumida por múltiples amplificadores de potencia.

Vor Gebrauch dieses Produkts	2	Anschluss der Einheit	5
Im Störfall	2	Auschlusschema	6
Über dieses Produkt	2	Anschluss der Stromversorgung	7
VORSICHT	2	Anschluss der Lautsprecher-Klemmen	8
WARNUNG	2	Einstellen der Verstärkung für	
		Verstärkersynchronisierung	9
Einstellen dieses Geräts	3	Schnelleinstellung der Verstärkung	9
Verstärkungsregelung	3	Genauere Einstellung der Verstärkung	9
MODE SELECT-Schalter	3	Anschließen der Lautsprecherkabel	9
Bassverstärkungs-Pegelregler	3		
Bassverstärkungs-Frequenzregler	3	Einbau	13
Kurvenwahlschalter	3	Beispiel eines Einbaus auf einer Bodenmatte	
Ausschaltfrequenz-Regelung für LPF	4	oder auf dem Rahmen	13
Subsonic-Wahlschalter	4		
Interferenzschutzschalter (BFC)	4	Technische Daten	14
Stromanzeige	4		

Vielen Dank für den Kauf dieses PIONEER Produkts. Diese Bedienungsanleitung vor der Inbetriebnahme sorgfältig durchlesen.

Im Störfall

Bei Betriebsstörungen den Händler oder eine PIONEER-Kundendienststelle konsultieren.

Über dieses Produkt

Bei diesem Produkt handelt es sich um einen Verstärker der Klasse D für den Subwoofer. Wenn sowohl der linke (L) als auch rechte (R) Kanal mit dem RCA-Eingang dieses Produkts verbunden ist, wird der Ausgang gemischt, da es sich bei diesem Produkt um einen Mono-Verstärker handelt.



VORSICHT

Ersetzen Sie die Sicherung niemals durch eine mit einem größeren Wert bzw. Nennwert, als die ursprüngliche Sicherung hatte. Der Gebrauch einer falschen Sicherung kann zu Heißlauf, Rauchentwicklung, Beschädigung des Produkts, Verbrennungen und anderen Verletzungen führen.

WARNUNG

- Halten Sie sich bei Batteriekabel und Massekabel stets an die empfohlenen, im Handel erhältlichen Produkte. Das Batteriekabel direkt an den Pluspol (+) der Wagenbatterie und das Massekabel an Karosseriemasse anschließen.
- Fassen Sie den Verstärker nicht mit nassen Händen an, da Sie anderenfalls einen elektrischen Schlag erleiden können. Berühren Sie den Verstärker auch nicht, wenn dieser nass ist.
- Lassen Sie die Lautstärke so eingestellt, dass Sie beim Fahren noch Verkehrsgeräusche hören können. Es ist gefährlich, ein Fahrzeug zu führen, ohne Verkehrsgeräusche von außen hören zu können.
- Wenn eine Sicherung für das im Handel erworbene Batteriekabel durchbrennt, überprüfen Sie die Anschlüsse der Stromversorgung und des Subwoofers. Machen Sie die Ursache ausfindig, beheben Sie die Störung, und ersetzen Sie die Sicherung dann durch eine andere mit derselben Größe und demselben Nennwert.
- Zur Vermeidung von Schäden am Verstärker und Subwoofer unterbricht eine Schutzschaltung automatisch die Stromversorgung zum Verstärker (der Klang setzt aus), sobald ein anormaler Betriebszustand eintritt. Stellen Sie den Betriebsschalter in diesem Fall auf OFF, und überprüfen Sie die Stromversorgungs- und Subwoofer-Anschlüsse. Ermitteln Sie die Ursache des Problems und schaffen Sie umgehend Abhilfe.
- Wenden Sie sich bitte an Ihren Fachhändler, falls sich die Ursache der Störung nicht klären lässt.
- Trennen Sie zur Vermeidung von elektrischen Schlägen und Kurzschlüssen bei der Inbetriebnahme des Gerätes vorher unbedingt das Anschlusskabel vom negativen (-) Batteriepol ab.
- Überzeugen Sie sich, dass sich keine Teile hinter der Konsole befinden, wenn Sie ein Loch zum Einbau des Verstärkers bohren. Achten Sie darauf, dass alle Kabel und wichtigen Teile wie Benzin- und Bremsleitungen und die elektrischen Kabelbäume geschützt sind.
- ACHTEN Sie darauf, dass der Verstärker NICHT mit Flüssigkeiten in Berührung kommen kann, zum Beispiel wegen eines ungünstigen Einbauplatzes. Ein elektrischer Schlag könnte die Folge sein. Berührung mit Flüssigkeiten kann auch zu einer Beschädigung von Verstärker und Lautsprechern, sowie zu Rauchbildung und Überhitzung führen. Außerdem können Oberflächen von Verstärker und jeglicher angebrachter Lautsprecher heiß werden, sodass bei Berührung kleinere Verbrennungen verursacht werden könnten.

Verstärkungsregelung

Wenn die Lautstärke zu schwach ist, selbst wenn der Lautstärkereger der zusammen mit diesem Leistungsverstärker verwendeten Auto-Stereo-Anlage aufgedreht wird, drehen Sie den Verstärkungsregler an der Frontseite des Leistungsverstärkers im Uhrzeigersinn. Falls Klangverzerrungen auftreten, wenn die Lautstärke aufgedreht wird, drehen Sie den Verstärkungsregler im Gegenuhrzeigersinn.

- Bei Gebrauch mit einer mit RCA ausgestatteten Auto-Stereoanlage (Standard-Ausgang 500 mV) auf die Position NORMAL einstellen. Bei Gebrauch mit einer mit RCA ausgestatteten Pioneer-Auto-Stereoanlage mit einem maximalen Ausgang von 4 V oder mehr den Pegel dem Auto-Stereoanlagen-Ausgangspegel anpassen.
- Bezüglich Verstärkungsregelung bei Verstärkersynchronisierung siehe Abschnitt "Einstellen der Verstärkung für Verstärkersynchronisierung".

MODE SELECT-Schalter

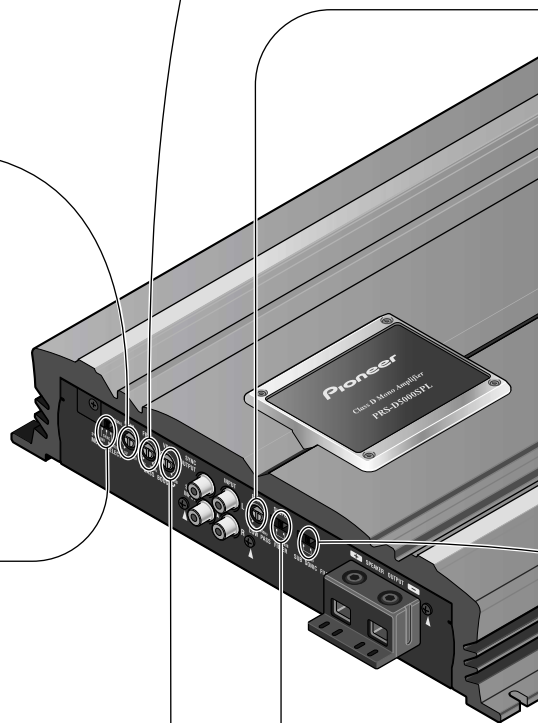
Als Verstärker-Synchronisationsmodus kann MASTER, SYNC oder SYNC INV gewählt werden. Bezüglich Position des MODE SELECT-Schalters siehe Abschnitt "Anschließen der Lautsprecherkabel".

Bassverstärkungs-Pegelregler

Der Bassverstärkungs-Pegelregler kann die ausgewählte Bassfrequenz verstärken, auf 0 bis 12 dB.

Bassverstärkungs-Frequenzregler

Sie können eine Bassverstärkungsfrequenz zwischen 40 bis 120 Hz mit dem Bassverstärkungs-Frequenzregler auswählen.



Kurvenwahlschalter

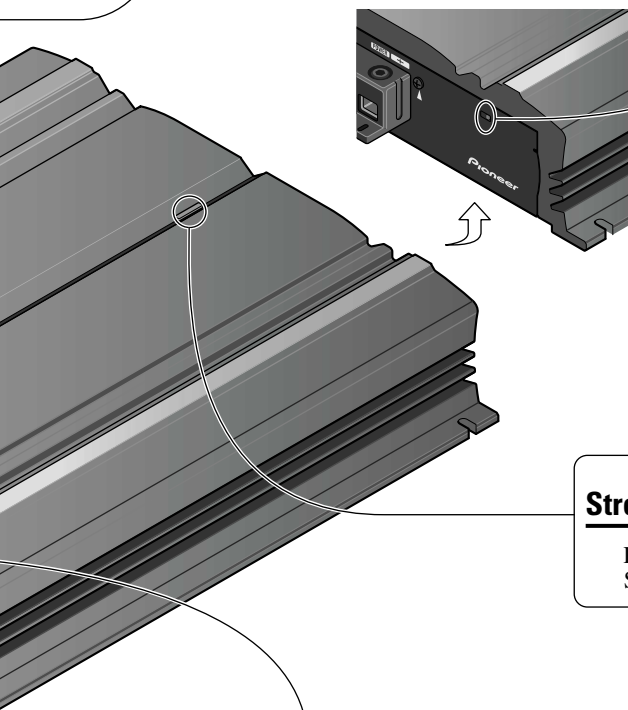
Sie können eine LPF-Kurve zwischen -18 und -24 dB wählen.

Ausschaltfrequenz-Regelung für LPF

Sie können eine Ausschaltfrequenz zwischen 40 und 240 Hz wählen.

Interferenzschuttschalter (BFC)

Verstellen Sie bitte den BFC-Schalter mittels eines kleinen empfohlenen Schraubenziehers, falls Sie bei eingestelltem MW/LW-Sender Hintergrundgeräusche hören.



Stromanzeige

Die Stromanzeige leuchtet auf, wenn die Stromversorgung eingeschaltet wird.

Subsonic-Wahlschalter

Der Subsonic-Filter beschneidet nicht hörbare Frequenzen unter 20 Hz, um ungewünschte Vibrationen zu eliminieren und Leistungsverluste zu minimieren.

VORSICHT

- Trennen Sie das Batterieanschlusskabel vom negativen (-) Batteriepol, um Kurzschlüsse und Schäden am Gerät zu vermeiden.
- Befestigen Sie die Kabel mit Kabelklemmen oder Klebeband. Kabel, die Kontakt mit Metallteilen haben, sollten an den betreffenden Stellen mit Klebeband isoliert werden.
- Vermeiden Sie beim Verlegen der Kabel Plätze, an denen die Kabel Wärmeeinwirkung ausgesetzt sind, wie z.B. in der Nähe der Heizung. Derartige Wärmeeinwirkung kann zu einer Beschädigung der Kabelisolierung und schließlich zu Kurzschlüssen über die Fahrzeugkarosserie führen.

VORSICHT:

Zur Vermeidung von Schäden und/oder Verletzungen

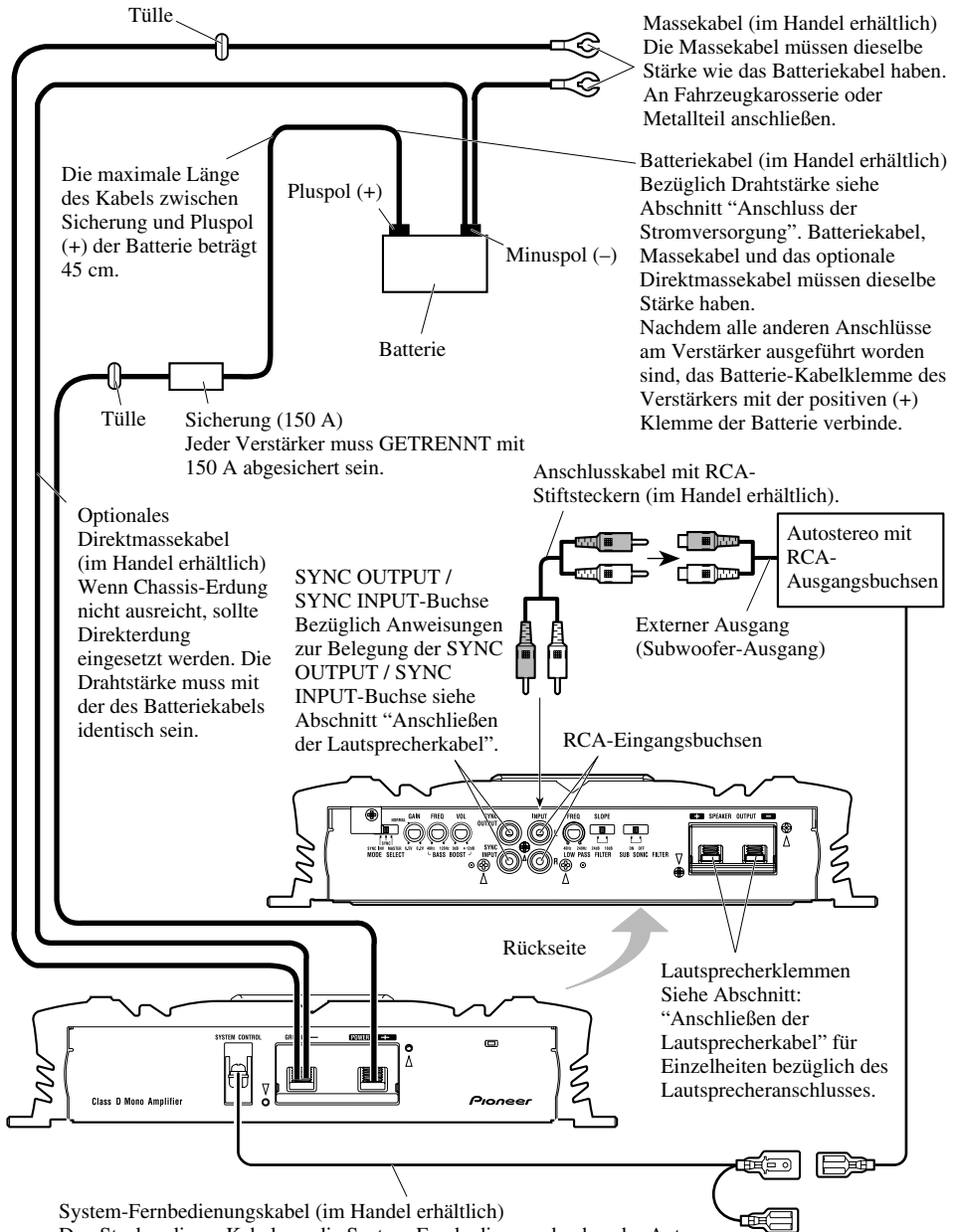
- Keinesfalls das Lautsprecherkabel direkt erden oder einen negativen Anschluss (-) für mehrere Lautsprecher gleichzeitig anschließen.
- Dieses Gerät ist für Fahrzeuge mit einer 12 Volt Batterie und negativer Erdung bestimmt. Vor dem Einbau in ein Freizeitfahrzeug, Laster oder Bus, die Spannung der Batterie überprüfen.
- Wenn die Autostereoanlage längere Zeit eingeschaltet bleibt, während der Motor nicht oder nur im Leerlauf läuft, so könnte dies zu einer Entladung der Batterie führen. Schalten Sie Ihr Stereogerät aus, wenn der Motor im Leerlauf oder im Stillstand ist.
- Sollte die System-Fernbedienungskabel des Verstärkers am Stromanschluss über den Zündungsschalter angeschaltet sein (12 V Gleichspannung), so ist der Verstärker immer eingeschaltet, wenn die Zündung eingeschaltet wird, unabhängig davon, ob das Stereogerät ein- oder ausgeschaltet ist. In diesem Fall könnte es zu einer Entladung der Batterie kommen, wenn der Motor im Stillstand oder im Leerlauf betrieben wird.
- Schließen Sie KEINEN Subwoofer mit einer niedrigeren Impedanz als im Abschnitt "Anschluss der Einheit" angegeben an. Ein Anschluss, der nicht den Spezifikationen entspricht, kann zu einer Beschädigung, Rauchabgabe und Überhitzung des Verstärkers führen. Außerdem kann die Oberfläche des Verstärkers heiß werden und bei Berührung leichte Verbrennungen verursachen.

- Achten Sie darauf, dass keines der Kabel bewegliche Fahrzeugteile, wie z.B. den Schalthebel, die Handbremse oder den Sitzverstellhebel, behindert.
- Leiten Sie niemals Strom an andere Geräte, indem Sie die Isolierung des Spannungsversorgungskabels dieses Gerätes freilegen und anzapfen. Die hieraus resultierende Überschreitung der Spannungsbelastungskapazität des Kabels hat Überhitzung zur Folge.
- Ersetzen Sie die Sicherung niemals durch eine mit einem größeren Wert bzw. Nennwert, als die ursprüngliche Sicherung hatte. Der Gebrauch einer falschen Sicherung kann zu Heißlauf, Rauchentwicklung, Beschädigung des Produkts, Verbrennungen und anderen Verletzungen führen.

- Schließen Sie einen der genannten beiden Subwoofer an den Verstärker an; 1: einen Subwoofer mit einem Nenneingang von 750 W oder höher und mit einer Impedanz von 4 Ω , oder 2: einen Subwoofer mit einem Nenneingang von 1.500 W oder höher und mit einer Impedanz von 2 Ω . Wenn Nenneingang und Impedanz außerhalb dieser Bereiche liegen, kann der Subwoofer zu brennen beginnen, Rauch abgeben, oder beschädigt werden.
- Das getrennt erhältliche Batterie-kabel installieren und möglichst weit von den Lautsprecherkabeln entfernt verlegen. Getrennt erhältliches Batterie-kabel, Massekabel, Lautsprecherkabel und Verstärker möglichst weit von Antenne, Antennenkabel und Tuner entfernt installieren/verlegen.

- Kabel dieses Geräts und die anderer Geräte können unterschiedliche Farben haben, auch wenn sie die gleichen Funktionen haben. Beim Anschluss dieses Geräts an ein anderes Gerät unter Bezugnahme auf die mit beiden Geräten mitgelieferten Installationsanleitungen die Kabel mit derselben Funktion verbinden.

Ausschlussschema



Anschluss der Stromversorgung

- Halten Sie sich bei Batterie und Massekabel stets an die empfohlenen, im Handel erhältlichen Produkte. Das Batteriekabel direkt an den Pluspol (+) der Wagenbatterie und das Massekabel an Karosseriemasse anschließen.
- Die empfohlene Drahtgröße (AWG: American Wire Gauge) ist wie folgt. Batteriekabel, Massekabel und das optionale Direktmassekabel müssen dieselbe Stärke haben.

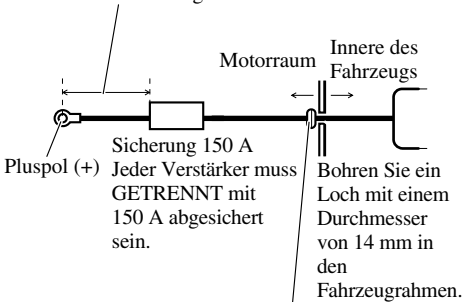
Batteriekabel und Massekabel-Drahtstärke

Kabellänge	kürzer als 1,2 m	1,2—2,1 m	2,1—3,0 m
Drahtstärke	4 AWG	4 AWG	2 AWG
3,0—3,9 m	3,9—4,8 m	4,8—5,7 m	5,7—6,7 m
2 AWG	1 AWG	1 AWG	0 AWG

1. Führen Sie das Batteriekabel vom Motorraum in den Fahrgastraum.

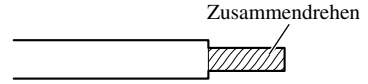
- Nachdem alle Verkabelungen am Verstärker ausgeführt worden sind, verbinden Sie die Batterie-Kabelklemme des Verstärkers mit der positiven (+) Klemme der Batterie.

Die maximale Länge des Kabels zwischen Sicherung und Pluspol (+) der Batterie beträgt 45 cm.



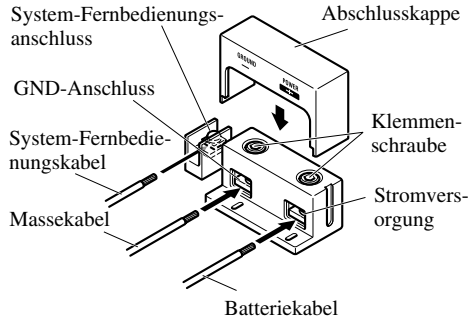
Setzen Sie die O-Ring-Gummidichtung in den Fahrzeugrahmen ein.

2. Verdrillen Sie Batteriekabel, Massekabel und System-Fernbedienungskabel.



3. Die Drähte an die Klemme anschließen.

- Bevor Sie die Kabel an die Klemmen anschließen, nehmen Sie die Abschlusskappe ab. Nachdem Sie die Kabel an den Klemmen angeschlossen haben, bringen Sie die Abschlusskappe an.
- Befestigen Sie die Drähte sicher mit den Klemmschrauben.

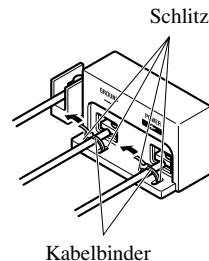


! WARNUNG

Wenn das Batteriekabel mit den Klemmschrauben nicht richtig befestigt wird, kann der Klemmenbereich heiß werden, wodurch Schäden und Verletzungen, wie Verbrennungen, verursacht werden können.

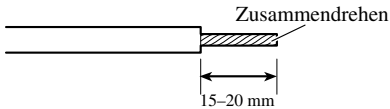
4. Die Kabelbinder in die Schlitz geben und um die Kabel winden.

- Kabelbinder um die Kabelisolierung, nicht um den blanken Draht winden.



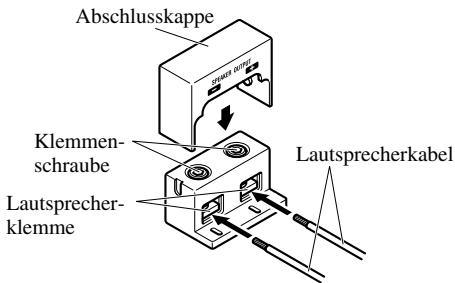
Anschluss der Lautsprecherklemmen

1. Die Enden der Lautsprecherkabel um ca. 15–20 mm mit einer Kneifzange oder einem Schneider abisolieren und die Kabelenden zusammendrehen.



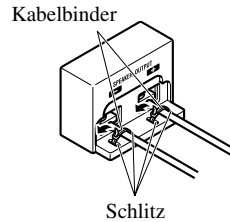
2. Schließen Sie die Lautsprecherkabel an die Lautsprecherklemmen an.

- Bevor Sie die Kabel an die Klemmen anschließen, nehmen Sie die Abschlusskappe ab. Nachdem Sie die Kabel an den Klemmen angeschlossen haben, bringen Sie die Abschlusskappe an.
- Die Lautsprecherdrähte fest mit den Klemmschrauben befestigen.



3. Die Kabelbinder in die Schlitz geben und um die Kabel wickeln.

- Kabelbinder um die Kabelisolierung, nicht um den blanken Draht wickeln.



Einstellen der Verstärkung für Verstärkersynchronisierung

Nachdem Sie die Lautsprecherkabel angeschlossen haben, stellen Sie die Verstärkungsregelung jedes synchronisierten Verstärkers ein. Alle synchronisierten Verstärker folgen den Einstellungen des Master-Verstärkers.

Schnelleinstellung der Verstärkung

Stellen Sie den Verstärkungsregler jedes synchronisierten Verstärkers auf **NORMAL**. In dieser Einstellung werden die Leistungspegel für die meisten Anwendungen zufriedenstellend abgeglichen.

Genauere Einstellung der Verstärkung

Stellen Sie die Verstärkungsregelung jedes synchronisierten Verstärkers der Reihe nach ein, wobei Sie mit dem Master-Verstärker beginnen.

1. Geben Sie eine Sinuswelle über dieses System mit niedrigem Ausgangspegel aus.
2. Messen Sie den Ausgangsspannungspegel des Master-Verstärkers mit einem Voltmeter.
3. Messen Sie den Ausgangsspannungspegel des synchronisierten Verstärkers mit einem Voltmeter.
4. Passen Sie den Ausgang des synchronisierten Verstärkers mit dem Verstärkungsregler an diesem Verstärker dem Ausgang des Master-Verstärkers an.
5. Wiederholen Sie das Verfahren für jeden synchronisierten Verstärker in der richtigen Reihenfolge.

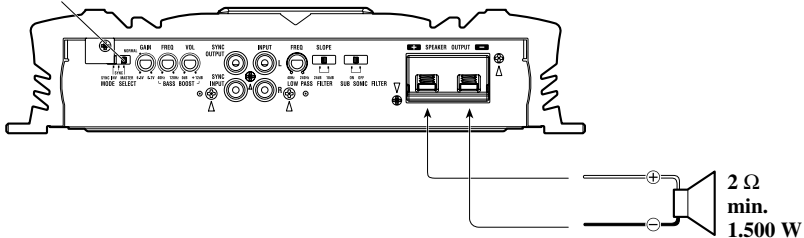
Anschließen der Lautsprecherkabel

Schließen Sie die Lautsprecherkabel der gewünschten Konfiguration entsprechend gemäß den unten und auf der nächsten Seite gezeigten Abbildungen an.

Einzelverstärker

- Die Lautsprecherdrahtstärke muss mindestens 10 AWG betragen.
- Die Last kann aus einer beliebigen Kombination von Lautsprechern bestehen, die Impedanz muss jedoch mindestens 2 Ω betragen.

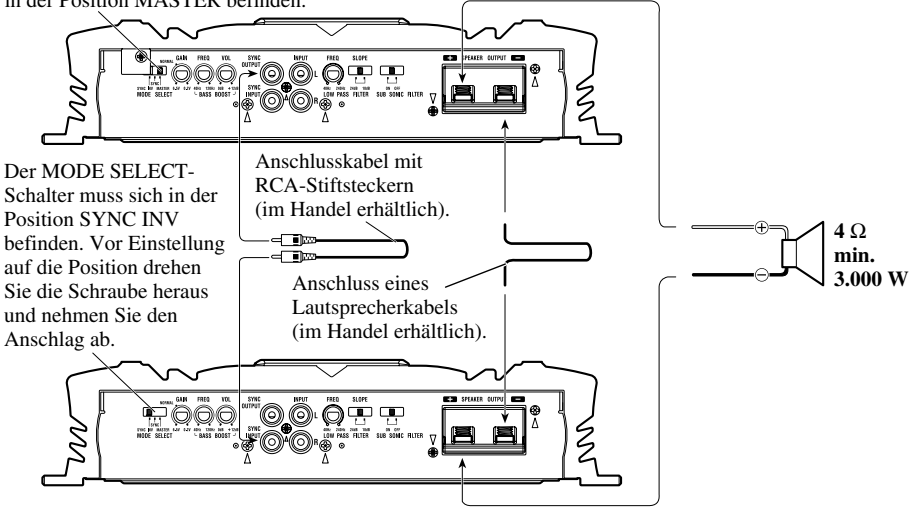
Der MODE SELECT-Schalter muss sich in der Position **MASTER** befinden.



Zwei Verstärker gebrückt

- Die Lautsprecherdrahtstärke muss mindestens 10 AWG betragen.
- Die Last kann aus einer beliebigen Kombination von Lautsprechern bestehen, die Impedanz muss jedoch mindestens 4 Ω betragen.

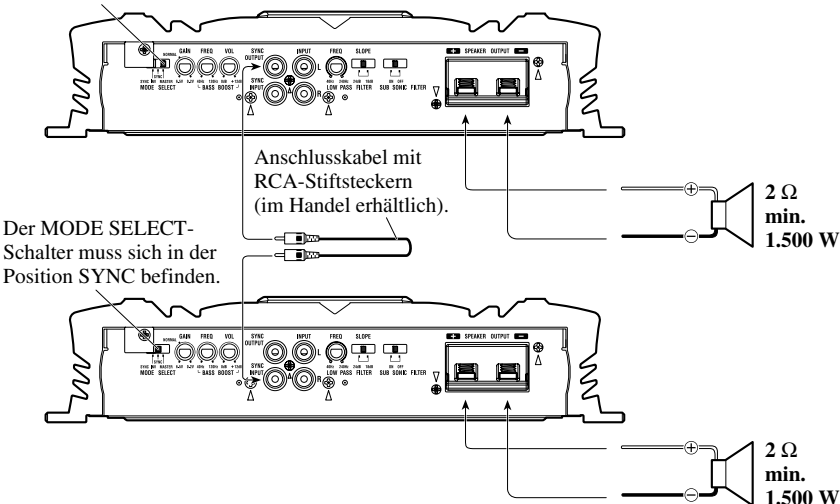
Der MODE SELECT-Schalter muss sich in der Position MASTER befinden.



Zwei Verstärker

- Die Lautsprecherdrahtstärke muss mindestens 10 AWG betragen.
- Die Last kann aus einer beliebigen Kombination von Lautsprechern bestehen, die Impedanz muss jedoch mindestens 2 Ω betragen.

Der MODE SELECT-Schalter muss sich in der Position MASTER befinden.

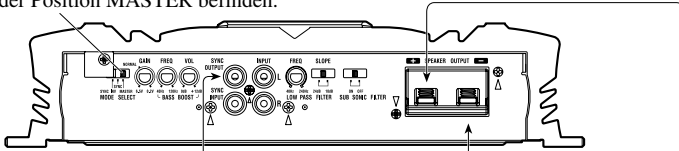


Anschluss der Einheit

Vier Verstärker gebrückt

- Die Lautsprecherdrahtstärke muss mindestens 10 AWG betragen.
- Die Last kann aus einer beliebigen Kombination von Lautsprechern bestehen, die Impedanz muss jedoch mindestens 4 Ω betragen.

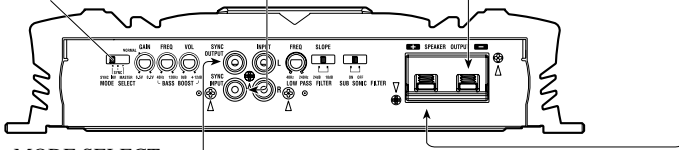
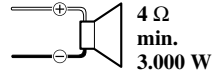
Der MODE SELECT-Schalter muss sich in der Position MASTER befinden.



Der MODE SELECT-Schalter muss sich in der Position SYNC INV befinden. Vor Einstellung auf die Position drehen Sie die Schraube heraus und nehmen Sie den Anschlag ab.

Anschlusskabel mit RCA-Stiftsteckern (im Handel erhältlich).

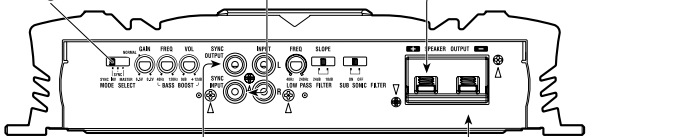
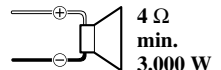
Anschluss eines Lautsprecherkabels (im Handel erhältlich).



Der MODE SELECT-Schalter muss sich in der Position SYNC INV befinden. Vor Einstellung auf die Position drehen Sie die Schraube heraus und nehmen Sie den Anschlag ab.

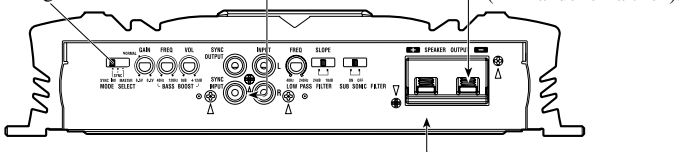
Anschlusskabel mit RCA-Stiftsteckern (im Handel erhältlich).

Anschluss eines Lautsprecherkabels (im Handel erhältlich).



Der MODE SELECT-Schalter muss sich in der Position SYNC INV befinden. Vor Einstellung auf die Position drehen Sie die Schraube heraus und nehmen Sie den Anschlag ab.

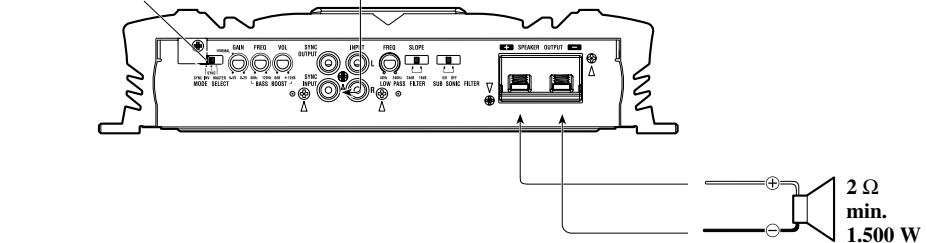
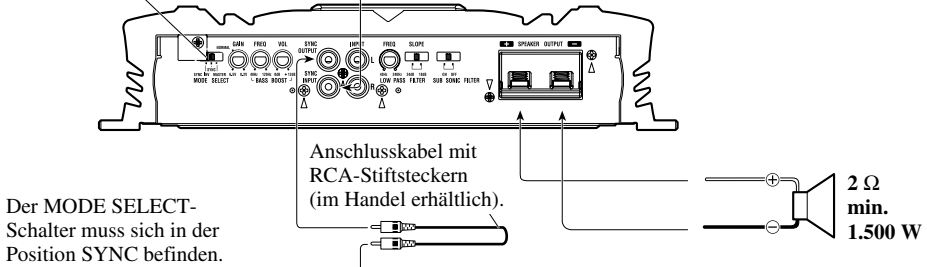
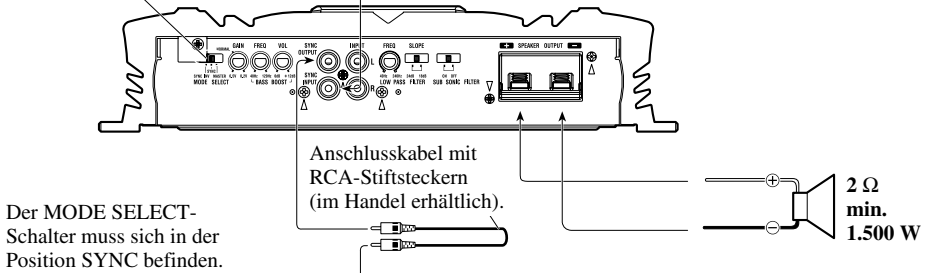
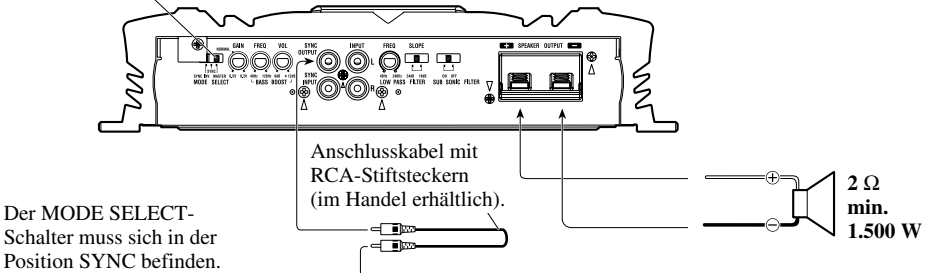
Anschlusskabel mit RCA-Stiftsteckern (im Handel erhältlich).



Vier Verstärker

- Die Lautsprecherdrahtstärke muss mindestens 10 AWG betragen.
- Die Last kann aus einer beliebigen Kombination von Lautsprechern bestehen, die Impedanz muss jedoch mindestens 2 Ω betragen.

Der MODE SELECT-Schalter muss sich in der Position MASTER befinden.



! VORSICHT

- Keinesfalls an Orten einbauen:
 - Plätze, an denen sich der Fahrer oder die Fahrzeuginsassen bei plötzlichem Abbremsen am Gerät verletzen könnten
 - Plätze, an denen das Gerät den Fahrer behindern könnte, wie z.B. auf dem Boden vor der Fahrersitz.
- Achten Sie darauf, dass sich die Anschlusskabel nicht im Schiebemechanismus der Sitze verklemmen und auf diese Weise einen Kurzschluss verursachen.
- Bestätigen Sie vor dem Bohren, dass sich hinter der Konsole keine Teile befinden, die nicht beschädigt werden dürfen. Schützen Sie alle Kabel und wichtigen Teile wie Benzinleitungen und Bremsleitungen und elektrischen Leitungen vor Schäden.
- Bringen Sie Schneidschrauben so an, dass die Schraubenspitze keines der Kabel berührt. Andernfalls können die Kabel durch die Vibrationen des Fahrzeugs beschädigt werden und Brände verursachen.
- **ACHTEN** Sie darauf, dass der Verstärker **NICHT** mit Flüssigkeiten in Berührung kommen kann, zum Beispiel wegen eines ungünstigen Einbauplatzes. Ein elektrischer Schlag könnte die Folge sein. Berührung mit Flüssigkeiten kann auch zu einer Beschädigung von Verstärker und Lautsprechern, sowie zu Rauchbildung und Überhitzung führen. Außerdem können Oberflächen von Verstärker und jeglicher angebrachter Lautsprecher heiß werden, sodass bei Berührung kleinere Verbrennungen verursacht werden könnten.
- Um einen ordnungsgemäßen Einbau zu gewährleisten, verwenden Sie die mitgelieferten Teile wie spezifiziert. Falls andere Teile außer den spezifizierten verwendet werden, so könnten innere Teile des Verstärkers beschädigt werden oder diese könnten sich lösen, und der Verstärker sich ausschalten.
- Ersetzen Sie die Sicherung niemals durch eine mit einem größeren Wert bzw. Nennwert, als die ursprüngliche Sicherung hatte. Der Gebrauch einer falschen Sicherung kann zu Heißlauf, Rauchentwicklung, Beschädigung des Produkts, Verbrennungen und anderen Verletzungen führen.

! VORSICHT:

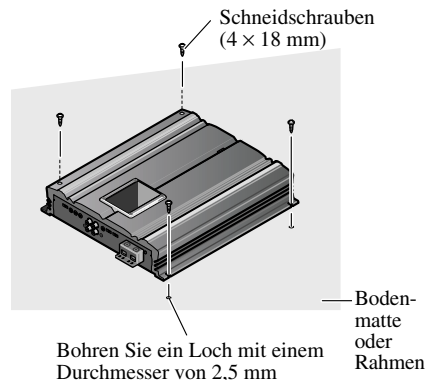
Zur Vermeidung von Funktionsstörungen und/oder Verletzungen

- Beachten Sie zur Gewährleistung ausreichender Wärmeableitung beim Einbau die folgende Punkte.
 - Lassen Sie genügend Freiraum über dem Verstärker, damit richtige Ventilation gewährleistet ist.
 - Decken Sie den Verstärker nicht mit einer Bodenmatte oder einem Teppich ab.
- **ACHTEN** Sie darauf, dass der Verstärker **NICHT** mit Flüssigkeiten in Berührung kommen kann, zum Beispiel wegen eines ungünstigen Einbauplatzes. Ein elektrischer Schlag könnte die Folge sein.

- Berührung mit Flüssigkeiten kann auch zu einer Beschädigung von Verstärker und Lautsprechern, sowie zu Rauchbildung und Überhitzung führen. Außerdem können Oberflächen von Verstärker und jeglicher angebrachter Lautsprecher heiß werden, sodass bei Berührung kleinere Verbrennungen verursacht werden könnten.
- Bauen Sie den Verstärker nicht an unstabilen Plätzen ein, wie z.B. auf dem Ersatzreifenhalter.
 - Die beste Einbauposition ist je nach Autotyp unterschiedlich. Befestigen Sie den Verstärker an einem sicheren Platz.
 - Führen Sie vorübergehende Anschlüsse zuerst durch, und stellen Sie sicher, dass der Verstärker und das System sicher funktionieren.
 - Achten Sie nach dem Einbau des Verstärkers darauf, dass Ersatzreifen, Wagenheber und Werkzeuge noch leicht zugänglich sind.

Beispiel eines Einbaus auf einer Bodenmatte oder auf dem Rahmen

1. Legen Sie den Verstärker auf die Stelle, an welcher dieser eingebaut werden soll. Setzen Sie die mitgelieferten Schneidschrauben (4 × 18 mm) in die Schraubenlöcher ein. Drücken Sie die Schrauben mit einem Schraubenzieher, sodass diese Markierungen hinterlassen, wo diese eingesetzt werden sollen.
2. Bohren Sie Löcher mit einem Durchmesser von 2,5 mm an den zuvor markierten Punkten, und bringen Sie den Verstärker an, entweder direkt am Teppich oder am Rahmen.



Stromversorgung	14,4 V Gleichspannung (Toleranz 10,8 — 15,1 V)
Erdungssystem	Negativ
Leistungsaufnahme	70 A (bei gleich bleibendem Strom, 4 Ω)
Durchschnittliche Stromentnahme*	10,6 A (4 Ω für ein Kanal) 15,6 A (2 Ω für ein Kanal)
Sicherung	150 A
Abmessungen	300 (B) \times 64 (H) \times 330 (T) mm
Gewicht	7,3 kg (Kabel nicht eingeschlossen)
Max. Ausgangsleistung	1.500 W \times 1 (4 Ω) / 3.000 W \times 1 (2 Ω)
Dauerausgangsleistung	1.100 W \times 1 (4 Ω) / 1.950 W \times 1 (2 Ω) (DIN45324, +B = 14,4 V)
Verbraucher-Impedanz	4 Ω (2 — 8 Ω zulässig), (Beispiel Brücke 4 — 16 Ω)
Frequenzgang	10 — 240 Hz (+0 dB, -1 dB)
Rauschabstand	90 dB (IEC-A-Netz)
Verzerrungen	0,05% (50 W, 100 Hz)
Tiefpassfilter	Trennfrequenz: 40 — 240 Hz Trennkurve: -18, -24 dB/oct
Subsonic-Filter (HPF)	Frequenz: 20 Hz Kurve: -18 dB
Bassverstärkung	Pegel: 0 — 12 dB Frequenz: 40 — 120 Hz
Phasenregelung	SYNC, SYNC INV
Verstärkungsregelung	200 mV — 6,5 V
Max. Eingangsstufe / Impedanz	RCA: 6,5 V / 22 k Ω

Hinweis:

- Änderungen der technischen Daten und des Designs jederzeit vorbehalten.

*Durchschnittliche Stromentnahme

- Die durchschnittliche Stromentnahme entspricht fast der maximalen Stromentnahme dieses Gerätes, wenn ein Audiosignal eingegeben wird. Verwenden Sie diesen Wert, wenn Sie die Gesamtstromentnahmen für mehrere Leistungsverstärker berechnen wollen.

Avant d'utiliser cet appareil	2	Raccordement de l'appareil	5
En cas d'anomalie	2	Schéma de raccordement	6
Quelques mots concernant cet appareil	2	Raccordement de la borne d'alimentation	7
PRÉCAUTION	2	Raccordement des bornes des haut-parleurs	8
ATTENTION	2	Réglage du gain de l'amplificateur associé	9
Réglage de l'appareil	3	Réglage sommaire du gain	9
Commande du gain	3	Réglage fin du gain	9
Commutateur MODE SELECT	3	Connexion des câbles des haut-parleurs	9
Commande d'amplitude de l'accentuation		Installation	13
des graves	3	Exemple d'installation sur le tapis	
Commande de fréquence de l'accentuation		de sol ou sur le châssis	13
des graves	3	Caractéristiques techniques	14
Sélecteur de pente	3		
Commande de la fréquence			
de coupure pour LPF	4		
Sélecteur infrasonore	4		
Interrupteur BFC			
(Commande de fréquence de battement)	4		
Témoin d'alimentation	4		

Avant d'utiliser cet appareil

Nous vous remercions d'avoir acheté cet appareil PIONEER. Avant de l'utiliser, prenez soin de lire ce manuel.

En cas d'anomalie

En cas d'anomalie de fonctionnement, veuillez consulter le distributeur ou le centre d'entretien PIONEER le plus proche.

Quelques mots concernant cet appareil

Cet appareil est un amplificateur de classe D pour haut-parleur d'extrême grave. Si les deux canaux, L (gauche) et R (droit), sont connectés à l'entrée cinch (RCA) de cet appareil, la sortie est mixée parce que cet appareil est un amplificateur monaural.

PRÉCAUTION

Ne remplacez pas le fusible par un fusible de plus grande valeur ou de plus grand calibre. L'utilisation d'un fusible inadapté peut entraîner une surchauffe et de la fumée, et peut provoquer l'endommagement de l'appareil et des blessures, y compris des brûlures.

ATTENTION

- Utilisez le câble de liaison à la batterie et le câble de masse conseillés; ils sont vendus séparément. Reliez le câble rouge à la borne positive (+) de la batterie et le câble de masse à la carrosserie du véhicule.
- Ne touchez pas l'amplificateur quand vous avez les mains mouillées, faute de quoi vous risquez de ressentir une secousse électrique. Pareillement, ne touchez pas l'amplificateur s'il est mouillé.
- Pour votre sécurité et celles des autres usagers de la route, maintenez le niveau d'écoute à une valeur telle que les bruits de la circulation demeurent nettement perceptibles.
- Vérifiez les raccordements de l'alimentation et du haut-parleur d'extrêmes graves si le fusible du câble de liaison (vendu séparément) à la batterie vient à griller. Recherchez la cause de l'anomalie puis corrigez-la; enfin, remplacez le fusible grillé par un fusible de même taille et de même calibre.
- Pour éviter d'endommager l'amplificateur et du haut-parleur d'extrême grave, le circuit de protection coupe l'alimentation de l'amplificateur (les sons ne sont plus émis) dès que survient une situation anormale. Dans ce cas, mettez l'ensemble des appareils hors tension et contrôlez les liaisons entre l'amplificateur et du haut-parleur d'extrême grave. Le cas échéant, recherchez la cause de l'anomalie et corrigez-la.
- Consultez le revendeur si vous n'êtes pas en mesure de résoudre le problème qui se pose à vous.
- Pour éviter toute secousse électrique et tout risque de court-circuit au cours des opérations de raccordement et d'installation, n'oubliez pas de débrancher le câble relié au pôle négatif de la batterie (-) avant d'effectuer quelque opération que ce soit.
- Avant d'effectuer un perçage requis par l'installation de l'amplificateur, assurez-vous que vous pouvez le faire sans danger pour les câbles, canalisations, flexibles, etc., qui sont placés derrière le panneau que vous devez percer.
- **NE LAISSEZ PAS** l'amplificateur entrer en contact avec des liquides à cause, par exemple, de l'emplacement où il a été placé. Cela pourrait entraîner une secousse électrique. De plus, le contact avec un liquide pourrait endommager l'amplificateur et les enceintes, produire de la fumée ou surchauffer l'appareil. Enfin, la surface de l'amplificateur et des enceintes connectées peut devenir chaude au toucher et entraîner de légères brûlures.

Commande du gain

Si le niveau d'écoute est faible même lorsque la commande de l'autoradio est sur la position correspondant au maximum, tournez la commande de gain, placée à l'avant de l'amplificateur, dans le sens des aiguilles d'une montre. Inversement, si vous constatez de la distorsion lorsque vous augmentez le niveau de sortie de l'autoradio, tournez cette commande dans le sens contraire des aiguilles d'une montre.

- Choisissez la position NORMAL si l'autoradio stéréo est équipé de prises Cinch (RCA) (niveau de sortie standard à 500 mV). Si cet appareil est utilisé conjointement avec un autoradio stéréo Pioneer pourvu de prises Cinch (RCA) sur lesquelles peuvent se trouver une tension de sortie de 4 V ou plus, réglez le niveau en fonction du niveau de sortie de l'autoradio.
- Pour la commande de gain de l'amplificateur associé, reportez-vous à la section "Réglage du gain de l'amplificateur associé".

Commutateur MODE SELECT

Vous pouvez sélectionner le mode de synchronisation de l'amplificateur, à savoir MASTER, SYNC et SYNC INV. Pour ce qui concerne la position du commutateur MODE SELECT, reportez-vous à la section "Connexion des câbles des haut-parleurs".

Commande d'amplitude de l'accentuation des graves

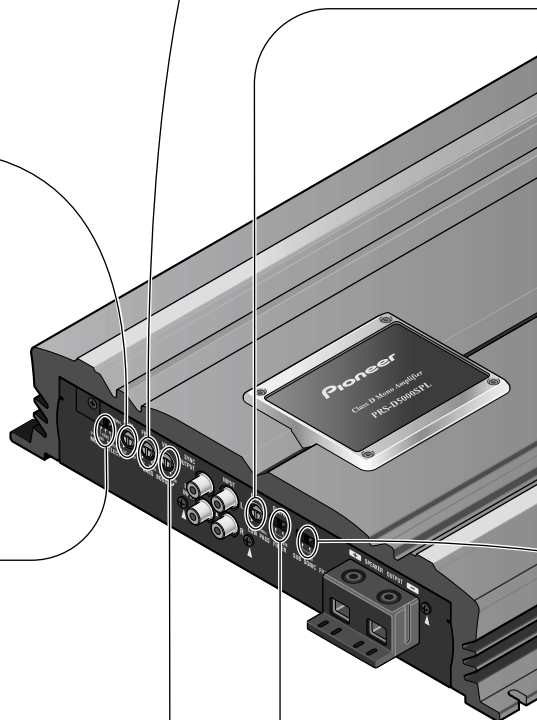
Après avoir choisie la fréquence grave à accentuer au moyen de la commande de fréquence, il est possible de faire varier, dans la plage de 0 à 12 dB, l'amplitude des signaux au voisinage de cette fréquence en agissant sur la commande d'amplitude.

Commande de fréquence de l'accentuation des graves

Cette commande permet de choisir la fréquence, entre 40 Hz et 120 Hz, autour de laquelle doit s'effectuer l'accentuation.

Sélecteur de pente

Vous pouvez sélectionner la pente du filtre passe-bas entre -18 et -24 dB.

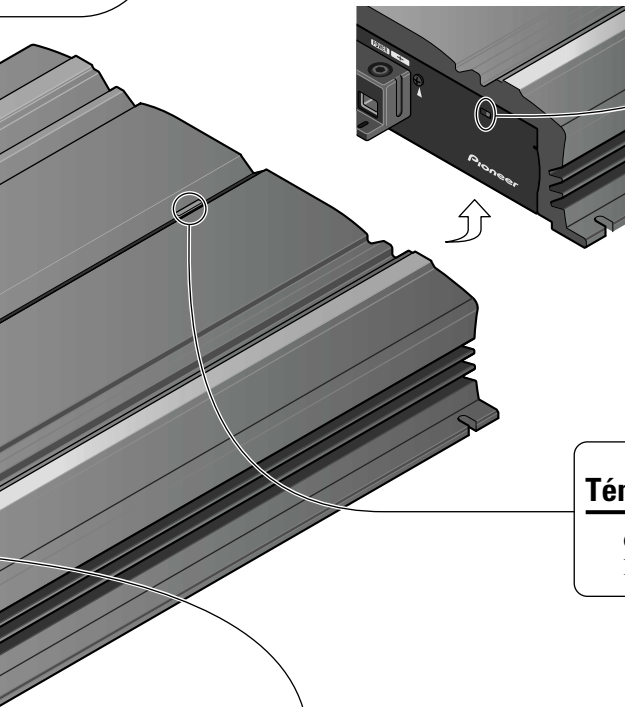


Commande de la fréquence de coupure pour LPF

La fréquence de coupure peut être choisie entre 40 et 240 Hz.

Interrupteur BFC (Commande de fréquence de battement)

Si l'on entend un battement pendant que l'on écoute une transmission MW/LW (PO/GO) avec le stéréo de la voiture, changer l'interrupteur BFC en utilisant un petit tournevis standard de pointe.



Témoin d'alimentation

Ce témoin s'éclaire lorsque l'amplificateur est sous tension.

Sélecteur infrasonore

Le filtre infrasonore coupe les fréquences inférieures à 20 Hz afin de supprimer les vibrations indésirables et de réduire les pertes de puissance.

PRÉCAUTION

- Pour éviter tout risque de court-circuit ou d'endommager cet appareil, débranchez le câble relié à la borne négative (-) de la batterie, au niveau de cette borne.
 - Fixez les câbles au moyen de colliers ou du ruban adhésif. Lorsque l'isolant du câble peut être endommagé par une pièce métallique, assurez sa protection en le gainant de ruban adhésif.
 - Faites cheminer les câbles en évitant les zones chaudes telles que les bouches du chauffage. La chaleur peut endommager l'isolant et il peut en résulter un court-circuit si l'âme du câble vient en contact avec la carrosserie.
- Assurez-vous que les câbles ne gênent en rien la manœuvre des organes mobiles tels que rails de siège mais aussi levier de frein de stationnement, pédale de frein, etc.
 - N'alimentez pas un appareil par un piquage sur le câble qui alimente un autre appareil. Ce câble n'a peut-être pas la section suffisante pour supporter sans danger l'intensité consommée par les deux appareils.
 - Ne remplacez pas le fusible par un fusible de plus grande valeur ou de plus grand calibre. L'utilisation d'un fusible inadapté peut entraîner une surchauffe et de la fumée, et peut provoquer l'endommagement de l'appareil et des blessures, y compris des brûlures.

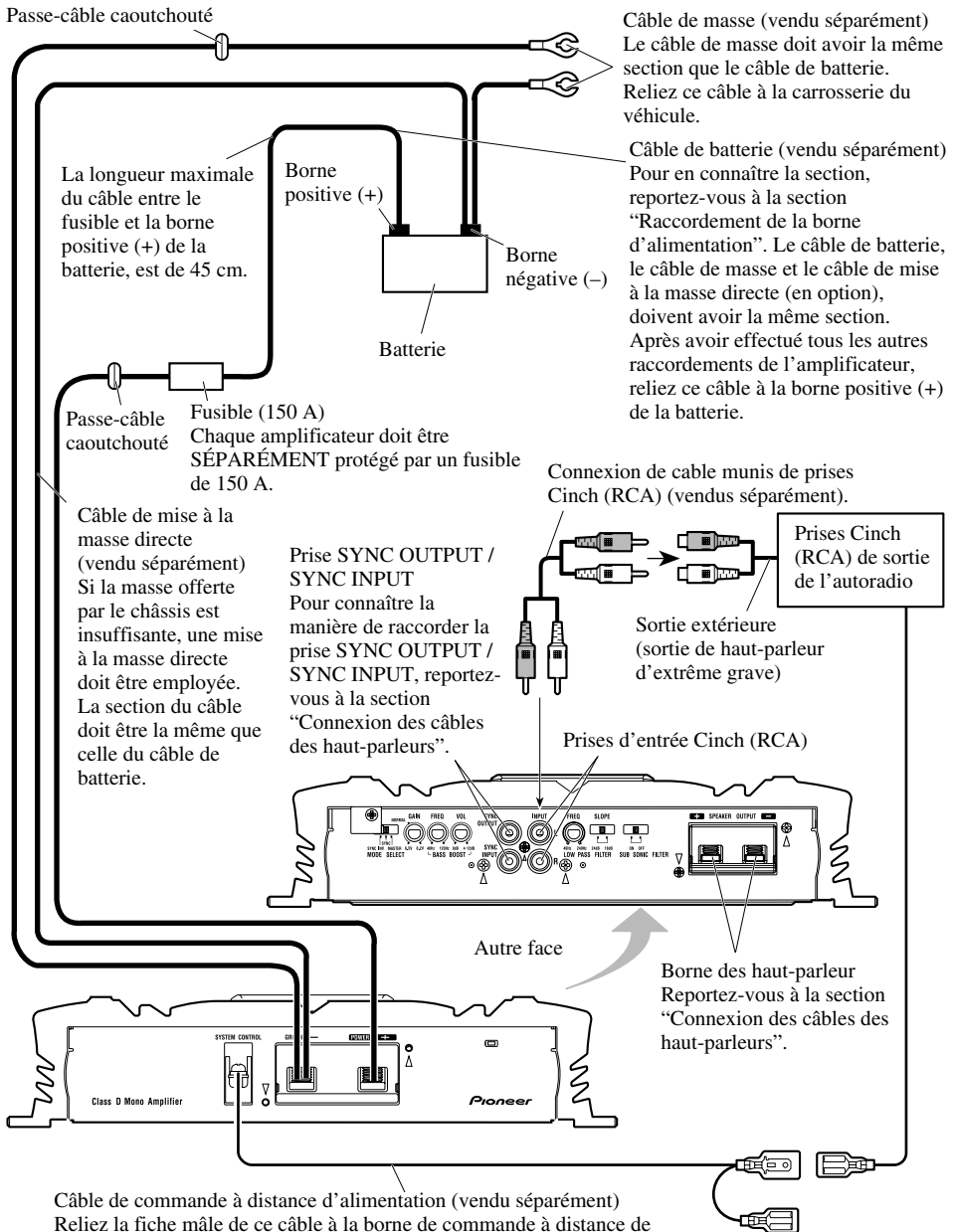
PRÉCAUTION:

Pour éviter toute anomalie ou blessure

- Ne reliez pas à la masse le câble (-) d'un haut-parleur; ne reliez pas ensemble plusieurs câbles négatifs de haut-parleurs.
 - Cet appareil est conçu pour les véhicules alimentés par une batterie 12 V dont le pôle négatif est à la masse. Avant d'installer cet appareil, contrôlez la tension de la batterie.
 - Si vous conservez l'autoradio en fonctionnement alors que le moteur est arrêté ou tourne au ralenti, la batterie peut être déchargée au bout d'un certain temps. Pour éviter cela, mettez l'autoradio hors tension.
 - Si le câble de commande à distance de l'amplificateur est relié à la borne d'alimentation par l'intermédiaire du contacteur d'allumage (12 V CC), l'amplificateur sera sous tension dès que vous mettez le contact, et cela quelle que soit la situation de l'autoradio. En conséquence, la batterie peut être rapidement déchargée si le moteur ne tourne pas, ou tourne au ralenti.
 - **NE RACCORDEZ PAS** un haut-parleur d'extrêmes graves dont l'impédance serait inférieure à celle prescrite dans la section "Raccordement de l'appareil". Il pourrait en résulter un endommagement de l'amplificateur, voire de la production de fumée accompagnée de surchauffe. La surface de l'amplificateur pourrait s'échauffer au point de causer des brûlures légères.
- Reliez l'un de ces deux caissons de graves à l'amplificateur; 1: un caisson de graves ayant une puissance admissible de 750 W ou mieux et une impédance de 4 Ω , ou 2: un caisson de graves ayant une puissance admissible de 1.500 W ou mieux et une impédance de 2 Ω . Si l'entrée nominale et l'impédance sont au-dessus de ces plages, le haut-parleur d'extrême grave risque de prendre feu, d'émettre de la fumée ou d'être endommagé.
 - Installez le câble de liaison à la batterie, vendu séparément, et faites-le cheminer aussi loin que possible des câbles de liaison aux haut-parleurs. Installez le câble de liaison à la batterie, vendu séparément, le câble de masse, les câbles de liaison aux haut-parleurs et l'amplificateur aussi loin que possible de l'antenne, du câble d'antenne et du syntoniseur.

• Les câbles de cet appareil et ceux d'autres appareils peuvent fort bien ne pas être de la même couleur bien que remplissant la même fonction. Pour relier cet appareil à un autre appareil, utilisez le manuel d'installation de chacun et effectuez les raccordements en tenant compte que de la fonction de chaque câble.

Schéma de raccordement



FRANÇAIS

Raccordement de la borne d'alimentation

- Utilisez le câble de liaison à la batterie et le câble de masse conseillés; ils sont vendus séparément. Reliez le câble rouge à la borne positive (+) de la batterie et le câble de masse à la carrosserie du véhicule.
- La section conseillée des câbles est la suivante (suivant AWG, American Wire Gauge). Le câble de batterie, le câble de masse et le câble de mise à la masse directe doivent avoir la même section.

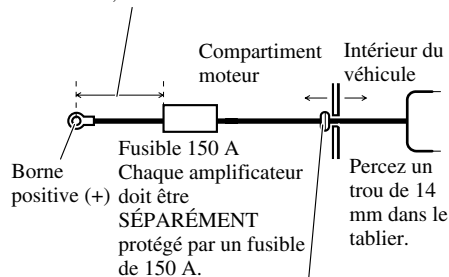
Section de câble de la batterie et câble de masse

Longueur du câble	moins de 1,2 m	1,2—2,1 m	2,1—3,0 m
Section du câble	4 AWG	4 AWG	2 AWG
3,0—3,9 m	3,9—4,8 m	4,8—5,7 m	5,7—6,7 m
2 AWG	1 AWG	1 AWG	0 AWG

1. Faites passer le câble de liaison à la batterie du compartiment moteur vers l'intérieur du véhicule.

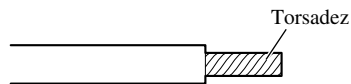
- Après avoir effectué tous les autres raccordements de l'amplificateur, reliez la borne d'alimentation de l'amplificateur à la borne positive (+) de la batterie.

La longueur maximale du câble entre le fusible et la borne positive (+) de la batterie, est de 45 cm.



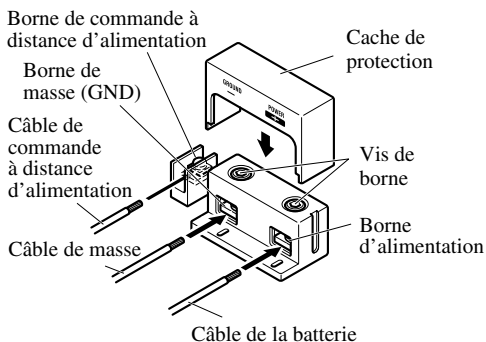
Engagez le passe-câble en caoutchouc dans le perçage pour assurer la protection du câble.

2. Torsadez le câble de la batterie, celui de masse et celui de la commande à distance.



3. Reliez les câbles aux bornes.

- Avant de relier les câbles aux bornes, retirez le cache de protection. Lorsque le raccordement est terminé, remplacez le cache de protection.
- Serrez soigneusement les câbles au moyen des vis.

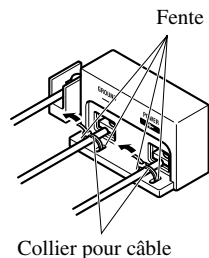


ATTENTION

Faute de serrer soigneusement le câble de batterie sur la borne au moyen d'une vis de borne, une élévation importante de température de la borne peut se produire et provoquer dommages et blessures, y compris brûlures légères.

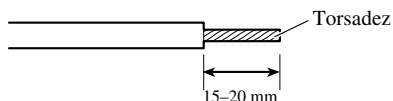
4. Engagez les colliers de câble dans les fentes et liez les câbles au moyen des colliers.

- Le collier doit entourer les câbles au niveau de leur isolant et non pas à hauteur de la partie dénudée.



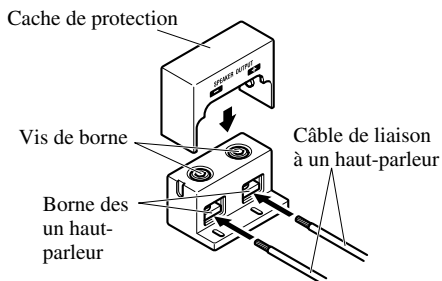
Raccordement des bornes des haut-parleurs

1. **Dénudez l'extrémité des câbles de liaison aux haut-parleurs par une pince ou un couteau sur 15–20 mm environ et torsadez les brins des câbles.**



2. **Reliez les câbles de liaisons aux haut-parleurs aux bornes des haut-parleurs.**

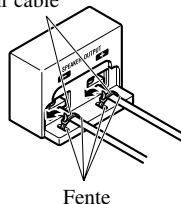
- Avant de relier les câbles aux bornes, retirez le cache de protection. Lorsque le raccordement est terminé, remplacez le cache de protection.
- Serrez soigneusement les cosses au moyen des vis.



3. **Engagez les colliers de câble dans les fentes et liez les câbles au moyen des colliers.**

- Le collier doit entourer les câbles au niveau de leur isolant et non pas à hauteur de la partie dénudée.

Collier pour câble



Réglage du gain de l'amplificateur associé

Après avoir relié les câbles des haut-parleurs, réglez la commande de gain de l'amplificateur associé. Les amplificateurs associés suivent les réglages de l'amplificateur maître.

Réglage sommaire du gain

Réglez la commande de gain de chaque amplificateur sur la position NORMAL. Ce réglage est suffisant pour obtenir une sortie équilibrée dans la majeure partie des cas.

Réglage fin du gain

Réglez la commande de gain de chaque amplificateur associé, en commençant par l'amplificateur maître.

1. À l'aide de ce système, générez une sinusoïde de basse amplitude.
2. Au moyen d'un voltmètre, mesurez l'amplitude de la tension de sortie de l'amplificateur maître.
3. Au moyen d'un voltmètre, mesurez l'amplitude de la tension de sortie de l'amplificateur associé.
4. Au moyen de la commande de gain de l'amplificateur associé, réglez la tension de sortie de l'amplificateur associé au même niveau que celle de l'amplificateur maître.
5. Répétez les mêmes opérations, dans l'ordre, pour tous les amplificateurs associés.

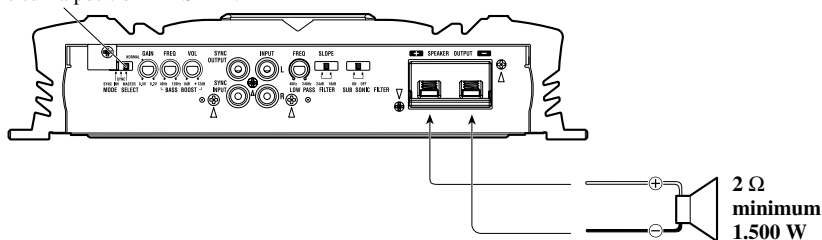
Connexion des câbles des haut-parleurs

Reliez les câbles de liaison aux haut-parleurs en fonction de la configuration et en vous inspirant des figures ci-dessous et de celles de la page qui suit.

Amplificateur unique

- La section du câble doit être au moins égale à 10 AWG.
- La charge peut être constituée par une combinaison quelconque de haut-parleurs mais l'impédance doit être au moins égale à 2 Ω .

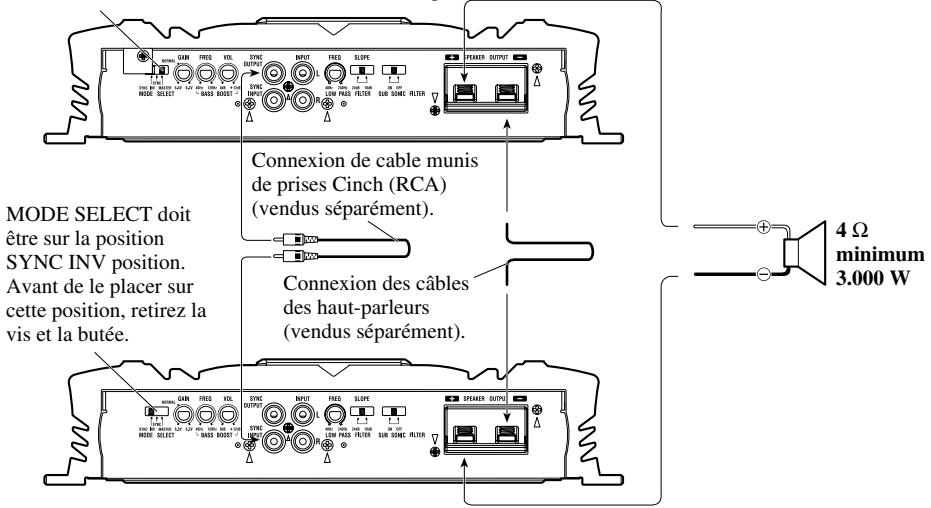
Le commutateur MODE SELECT doit être sur la position MASTER.



Deux amplificateurs pontés

- La section du câble doit être au moins égale à 10 AWG.
- La charge peut être constituée par une combinaison quelconque de haut-parleurs mais l'impédance doit être au moins égale à 4 Ω.

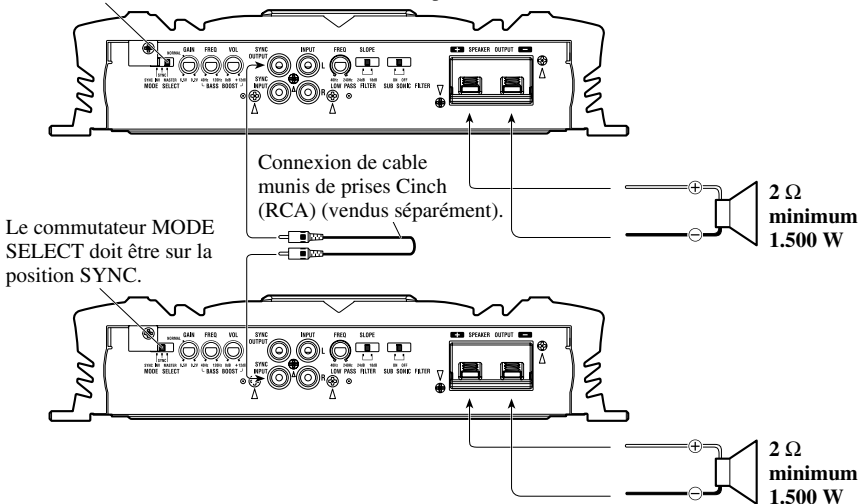
Le commutateur MODE SELECT doit être sur la position MASTER.



Deux amplificateurs

- La section du câble doit être au moins égale à 10 AWG.
- La charge peut être constituée par une combinaison quelconque de haut-parleurs mais l'impédance doit être au moins égale à 2 Ω.

Le commutateur MODE SELECT doit être sur la position MASTER.

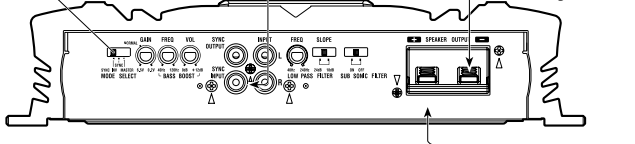
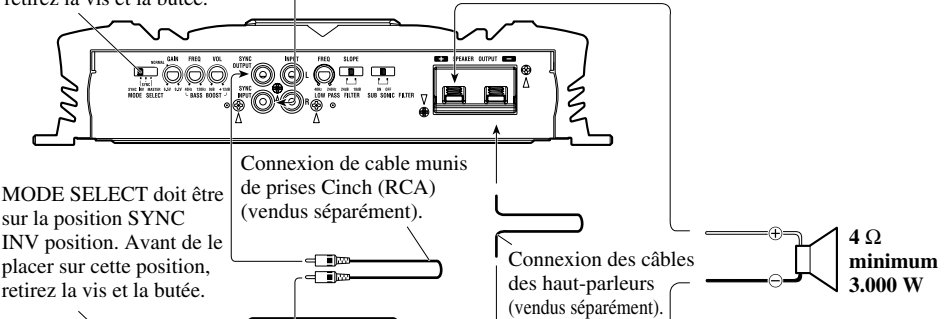
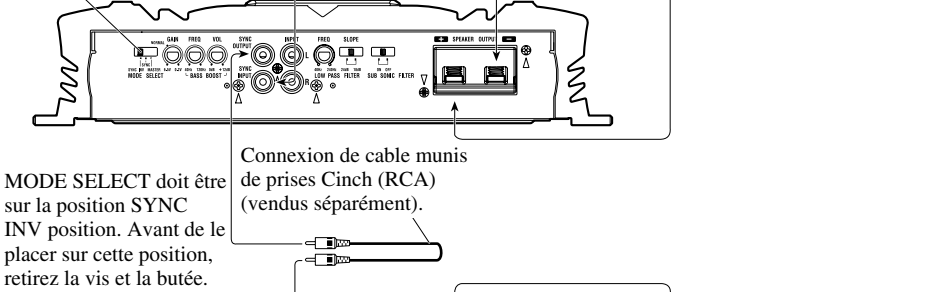
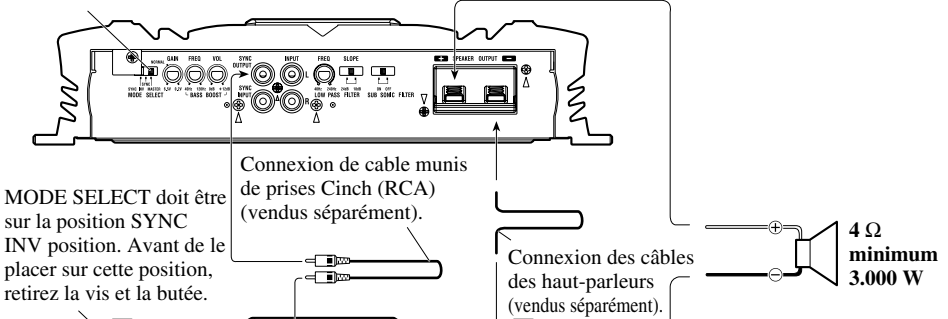


Raccordement de l'appareil

Quatre amplificateurs pontés

- La section du câble doit être au moins égale à 10 AWG.
- La charge peut être constituée par une combinaison quelconque de haut-parleurs mais l'impédance doit être au moins égale à 4 Ω.

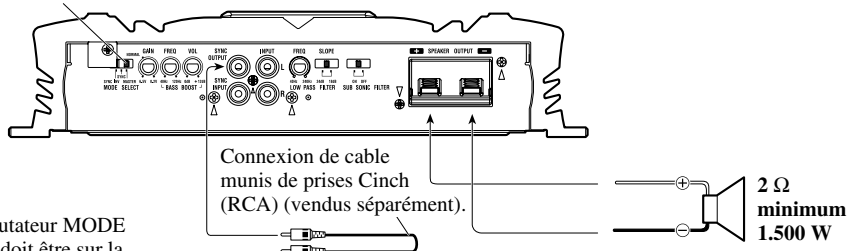
Le commutateur MODE SELECT doit être sur la position MASTER.



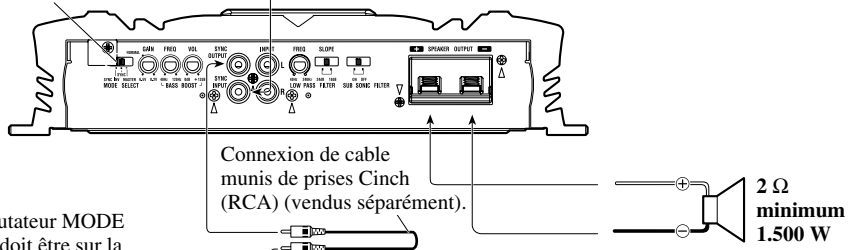
Quatre amplificateurs

- La section du câble doit être au moins égale à 10 AWG.
- La charge peut être constituée par une combinaison quelconque de haut-parleurs mais l'impédance doit être au moins égale à 2 Ω.

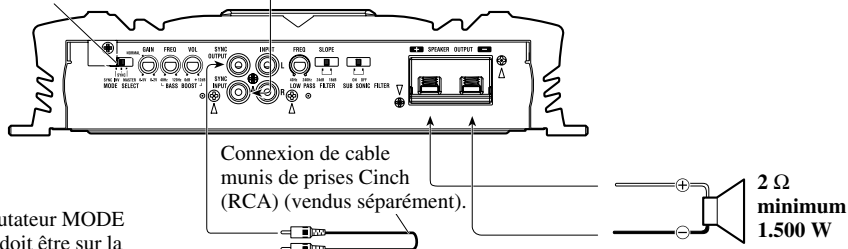
Le commutateur MODE SELECT doit être sur la position MASTER.



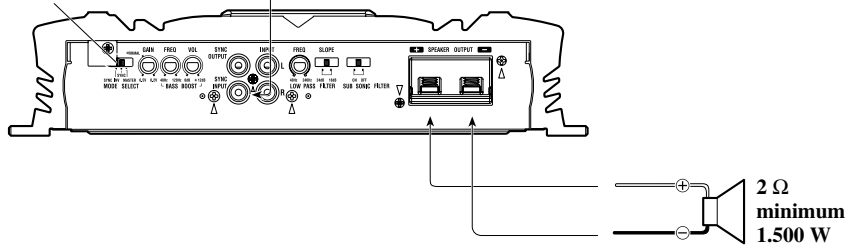
Le commutateur MODE SELECT doit être sur la position SYNC.



Le commutateur MODE SELECT doit être sur la position SYNC.



Le commutateur MODE SELECT doit être sur la position SYNC.



⚠ PRÉCAUTION

- N'installez pas l'appareil:
 - dans un endroit où il pourrait blesser un occupant du véhicule en cas d'arrêt brusque;
 - dans un endroit où il pourrait gêner le conducteur, par exemple devant son siège.
- Veillez à ce que les câbles ne puissent pas être pincés et endommagés par les sièges, ce qui peut conduire à un court-circuit.
- Avant d'effectuer un perçage requis par l'installation de l'amplificateur, assurez-vous que vous pouvez le faire sans danger pour les câbles, canalisations, flexibles, etc., qui sont placés derrière le panneau que vous devez percer.
- Posez les vis autotaraudeuses de manière que leur extrémité ne puisse pas endommager les câbles. Il est important que l'isolant d'un câble ne soit pas endommagé par le frottement sur une pièce, ce qui pourrait ultérieurement entraîner un court-circuit.
- NE LAISSEZ PAS l'amplificateur entrer en contact avec des liquides à cause, par exemple, de l'emplacement où il a été placé. Cela pourrait entraîner une secousse électrique. De plus, le contact avec un liquide pourrait endommager l'amplificateur et les enceintes, produire de la fumée ou surchauffer l'appareil. Enfin, la surface de l'amplificateur et des enceintes connectées peut devenir chaude au toucher et entraîner de légères brûlures.
- Pour effectuer convenablement l'installation, utilisez les pièces fournies et procédez comme il est indiqué. L'utilisation de pièces autres que celles fournies peut endommager l'amplificateur.
- Ne remplacez pas le fusible par un fusible de plus grande valeur ou de plus grand calibre. L'utilisation d'un fusible inadapté peut entraîner une surchauffe et de la fumée, et peut provoquer l'endommagement de l'appareil et des blessures, y compris des brûlures.

⚠ PRÉCAUTION:

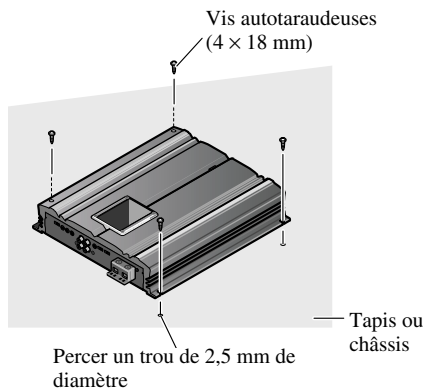
Pour éviter toute anomalie de fonctionnement ou blessure

- Pour que la chaleur puisse se dissiper sans mal, respectez ce qui suit:
 - veillez à ce qu'un espace dégagé existe au-dessus de l'amplificateur;
 - ne recouvrez pas l'amplificateur d'un tapis ou d'une moquette.
- NE LAISSEZ PAS l'amplificateur entrer en contact avec des liquides à cause, par exemple, de l'emplacement où il a été placé. Cela pourrait entraîner une secousse électrique.

- De plus, le contact avec un liquide pourrait endommager l'amplificateur et les enceintes, produire de la fumée ou surchauffer l'appareil. Enfin, la surface de l'amplificateur et des enceintes connectées peut devenir chaude au toucher et entraîner de légères brûlures.
- N'installez pas l'amplificateur sur une surface instable telle que le tapis amovible cachant la roue de secours.
- Le meilleur emplacement d'installation dépend du véhicule, mais, quoi qu'il en soit, doit être rigide et solide.
- Effectuez tout d'abord des raccordements temporaires pour vous assurer que l'amplificateur et les autres appareils fonctionnent correctement.
- Choisissez un emplacement qui permette le retrait sans peine de la roue de secours, du cric et de la boîte à outils.

Exemple d'installation sur le tapis de sol ou sur le châssis

1. Posez l'amplificateur à l'emplacement choisi. Introduisez les vis autotaraudeuses fournies (4 × 18 mm) dans les perçages. Appuyez fermement sur les vis au moyen d'un tournevis pour marquer les points de perçage.
2. Percer des trous de 2,5 mm de diamètre aux emplacements marqués puis fixez l'amplificateur soit à travers le tapis, soit directement sur le châssis.



Caractéristiques techniques

Alimentation	14,4 V CC (10,8 — 15,1 V permis)
Mise à la masse	Pôle négatif de la batterie
Consommation de courant	70 A (à la puissance continue, 4 Ω)
Consommation moyenne de courant*	10,6 A (4 Ω pour une voie) 15,6 A (2 Ω pour une voie)
Fusible	150 A
Dimensions	300 (L) \times 64 (H) \times 330 (P) mm
Poids	7,3 kg (sans les câbles)
Puissance maximale de sortie	1.500 W \times 1 (4 Ω) / 3.000 W \times 1 (2 Ω)
Puissance continue de sortie	1.100 W \times 1 (4 Ω) / 1.950 W \times 1 (2 Ω) (DIN45324, +B=14,4 V)
Impédance de charge	4 Ω (2 — 8 Ω permis), (Ex. Pont 4 — 16 Ω)
Réponse en fréquence	10 — 240 Hz (+0 dB, -1 dB)
Rapport signal/bruit	90 dB (réseau IEC-A)
Distorsion	0,05 % (50 W, 100 Hz)
Filtre passe-bas	Fréquence de coupure: 40 — 240 Hz Pente: -18, -24 dB/oct
Filtre infrasonore (HPF)	Fréquence: 20 Hz Pente: -18 dB
Accentuation des graves	Niveau: 0 — 12 dB Fréquence: 40 — 120 Hz
Commande de phase	SYNC, SYNC INV
Commande de gain	200 mV — 6,5 V
Niveau maximale / impédance d'entrée	RCA: 6,5 V / 22 k Ω

Remarque:

- Les caractéristiques et la présentation peuvent être modifiées sans avis préalable à fin d'amélioration.

*Consommation moyenne de courant

- Le courant moyen est proche du courant maximal lorsqu'un signal audio est appliqué à l'entrée de l'amplificateur. Utilisez cette valeur lorsque vous désirez calculer le courant total consommé par plusieurs amplificateurs de puissance.

Prima di usare questo prodotto	2	Come collegare l'unità	5
In caso di difficoltà	2	Schema di collegamento	6
A proposito del prodotto	2	Come collegare il terminale dell'alimentazione	7
ATTENZIONE	2	Come collegare il terminale degli altoparlanti	8
ATTENZIONE	2	Regolazione del guadagno dell'amplificatore sincronizzato	9
Regolazione di questa unità	3	Impostazione rapida del guadagno	9
Comando del guadagno	3	Impostazione avanzata del guadagno	9
Commutatore MODE SELECT	3	Collegamento dei cavi d'altoparlanti	9
Comando del livello di espansione dei bassi	3	Installazione	13
Comando di selezione della frequenza per l'espansione dei bassi	3	Esempio dell'installazione sul pavimento oppure sullo chassis	13
Commutatore di selezione della pendenza	3	Caratteristiche	14
Commando della soglia della frequenza di taglio per LPF.....	4		
Interruttore di selezione subsonica	4		
Commutatore BFC (Comando della frequenza di battimento)	4		
Indicatore dell'alimentazione	4		

Prima di usare questo prodotto

Grazie per aver acquistato questo prodotto PIONEER. Leggere attentamente queste istruzioni prima di usare questo apparecchio.

In caso di difficoltà

Se l'apparecchio non funziona correttamente, rivolgersi al rivenditore o ad un Centro Assistenza Autorizzato PIONEER.

A proposito del prodotto

Questo prodotto è un amplificatore in classe D per subwoofer. Trattandosi di un amplificatore monofonico, collegandone all'ingresso RCA sia il canale L (sinistro) che il canale R (destro) l'uscita risulterà miscelata.



ATTENZIONE

Non sostituire mai il fusibile con uno di valore o taratura superiore a quella del fusibile originale. L'uso di fusibili non adeguati può determinare un surriscaldamento o generare fumo, eventualmente danneggiando il prodotto e procurando lesioni o ustioni.

ATTENZIONE

- Utilizzare sempre il cavo della batteria ed il cavo di messa a terra raccomandati, venduti a parte. Collegare il cavo per la batteria direttamente al terminale positivo (+) della batteria dell'auto, ed il cavo per la messa a terra al corpo dell'autovettura.
- Non toccare l'amplificatore con le mani bagnate. Toccare l'apparecchio con le mani bagnate si rischia di rimanere folgorati. Ugualmente, non toccare l'amplificatore se risulta umido o bagnato.
- Per una buona sicurezza della guida e per una guida appropriata della vettura, mantenere il volume ad un basso livello di tale modo che si possa sentire ancora il suono normale del traffico.
- Qualora si dovesse bruciare il fusibile del cavo della batteria (venduto a parte), verificare i collegamenti dell'alimentazione e del subwoofer. Individuare la causa e risolvere il problema, e provvedere poi a sostituire il fusibile con un altro delle stesse dimensioni e capacità.
- Per evitare un funzionamento incorretto dell'amplificatore e del subwoofer, il circuito di protezione taglia l'alimentazione all'amplificatore (il suono si interrompe in questo caso) quando una condizione anormale si presenta. In tale caso, commutare l'alimentazione del sistema alla posizione "OFF" (arresto) poi verificare il collegamento dell'alimentazione e del subwoofer. Cercare la causa del problema ed eliminare il problema.
- Consultare il rivenditore se non si può trovare la causa del problema.
- Per evitare qualsiasi scossa elettrica oppure cortocircuito durante il collegamento e l'installazione, assicurarsi di scollegare in anticipo il polo negativo (-) della batteria.
- Verificare che nessuna parte si trovi dietro il pannello quando un foro viene eseguito per l'installazione dell'amplificatore. Assicurarsi di proteggere tutti i cavi e componenti importanti come linee del carburante, linee del freno e cablaggio elettrico, contro i danni.
- NON lasciare che l'amplificatore entri in contatto con liquidi nel luogo in cui esso è installato. Si potrebbero generare infatti scosse elettriche. Il contatto con i liquidi può altresì danneggiare l'amplificatore stesso e i diffusori, con emissione di fumo e creazione di surriscaldamento. La superficie dell'amplificatore o quella degli altoparlanti ad esso collegati potrebbe inoltre divenire molto calda e, al contatto, procurare piccole scottature.

Comando del guadagno

Se il livello sonoro continua a rimanere troppo basso, anche alzando il volume dello stereo utilizzato in concomitanza con questo amplificatore di potenza, ruotare in senso orario il comando del guadagno ubicato sulla parte anteriore dell'amplificatore. Se invece il suono si distorce quando si alza il volume, ruotare il comando del guadagno in senso antiorario.

- In caso di uso in combinazione con un car stereo dotato di presa di tipo RCA (uscita standard di 500 mV) porre questo comando sulla posizione NORMAL. In caso di uso in combinazione con un car stereo dotato di presa di tipo RCA con uscita massima di 4 V, o più, regolare il livello in modo che si adegui al livello di uscita del car stereo.
- Per quanto riguarda il controllo di guadagno dell'amplificatore sincronizzato, si prega di vedere la sezione "Regolazione del guadagno dell'amplificatore sincronizzato".

Commutatore MODE SELECT

La modalità di sincronizzazione dell'amplificatore può essere selezionata tra MASTER, SYNC e SYNC INV. Per quanto riguarda le posizioni del commutatore MODE SELECT si prega di consultare la sezione "Collegamento dei cavi d'altoparlanti".

Comando del livello di espansione dei bassi

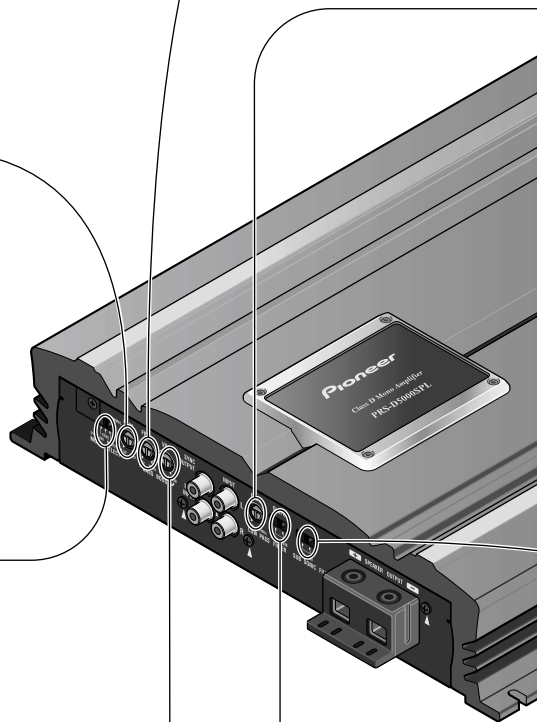
Il comando del livello di espansione dei bassi consente di amplificare a livelli variabili da 0 a 12 dB il livello sonoro nei dintorni della frequenza selezionata con il comando di selezione della frequenza per l'espansione dei bassi.

Comando di selezione della frequenza per l'espansione dei bassi

Per mezzo di questo comando si può selezionare la frequenza, da 40 a 120 Hz, di cui si vogliono amplificare i dintorni.

Commutatore di selezione della pendenza

La pendenza della LPF può essere selezionata tra -18 e -24 dB.

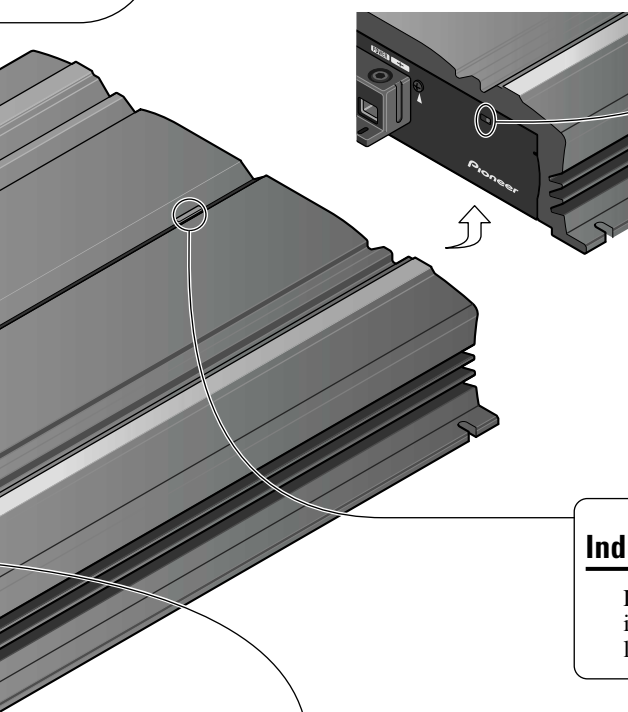


Comando della soglia della frequenza di taglio per LPF

Si può selezionare la soglia della frequenza di taglio ad un valore compreso tra 40 e 240 Hz.

Commutatore BFC (Comando della frequenza di battimento)

Se si sente un battimento mentre si ascolta una trasmissione MW/LW con l'impianto stereo della macchina, cambiare la posizione del commutatore BFC utilizzando un piccolo cacciavite di punto standard.



Indicatore dell'alimentazione

L'indicatore dell'alimentazione viene illuminato quando si attiva l'alimentazione.

Interruttore di selezione subsonica

Il filtro subsonico taglia le frequenze inferiori alla soglia di udibilità di 20 Hz, per eliminare vibrazioni indesiderate e minimizzare la perdita di potenza.

ATTENZIONE

- Togliere il contatto negativo (-) dalla batteria per evitare ogni rischio di cortocircuito e danni all'unità.
 - Fissare il cablaggio con dei fermi per cavi oppure nastro adesivo. Per proteggere il cablaggio, avvolgere il nastro adesivo intorno al cablaggio dove esso si trova in contatto con parti di metallo.
 - Non posare i cavi dove possono riscaldarsi, per esempio dove il dispositivo di riscaldamento rischia di riscaldarli. Se l'isolamento si riscalda, potrebbe danneggiarsi, e risultare in un cortocircuito attraverso la carrozzeria del veicolo.
- Assicurarsi che i cavi non siano in contatto con delle parti mobili del veicolo, come leva del cambio, freno a mano oppure meccanismo a scorrimento del sedile.
 - Evitare di collegare altri apparecchi tramite rimozione copertura cavo di alimentazione per accedere all'alimentazione. Questo risulterà in sovraccarico ed eccessivo riscaldamento.
 - Non sostituire mai il fusibile con uno di valore o taratura superiore a quella del fusibile originale. L'uso di fusibili non adeguati può determinare un surriscaldamento o generare fumo, eventualmente danneggiando il prodotto e procurando lesioni o ustioni.

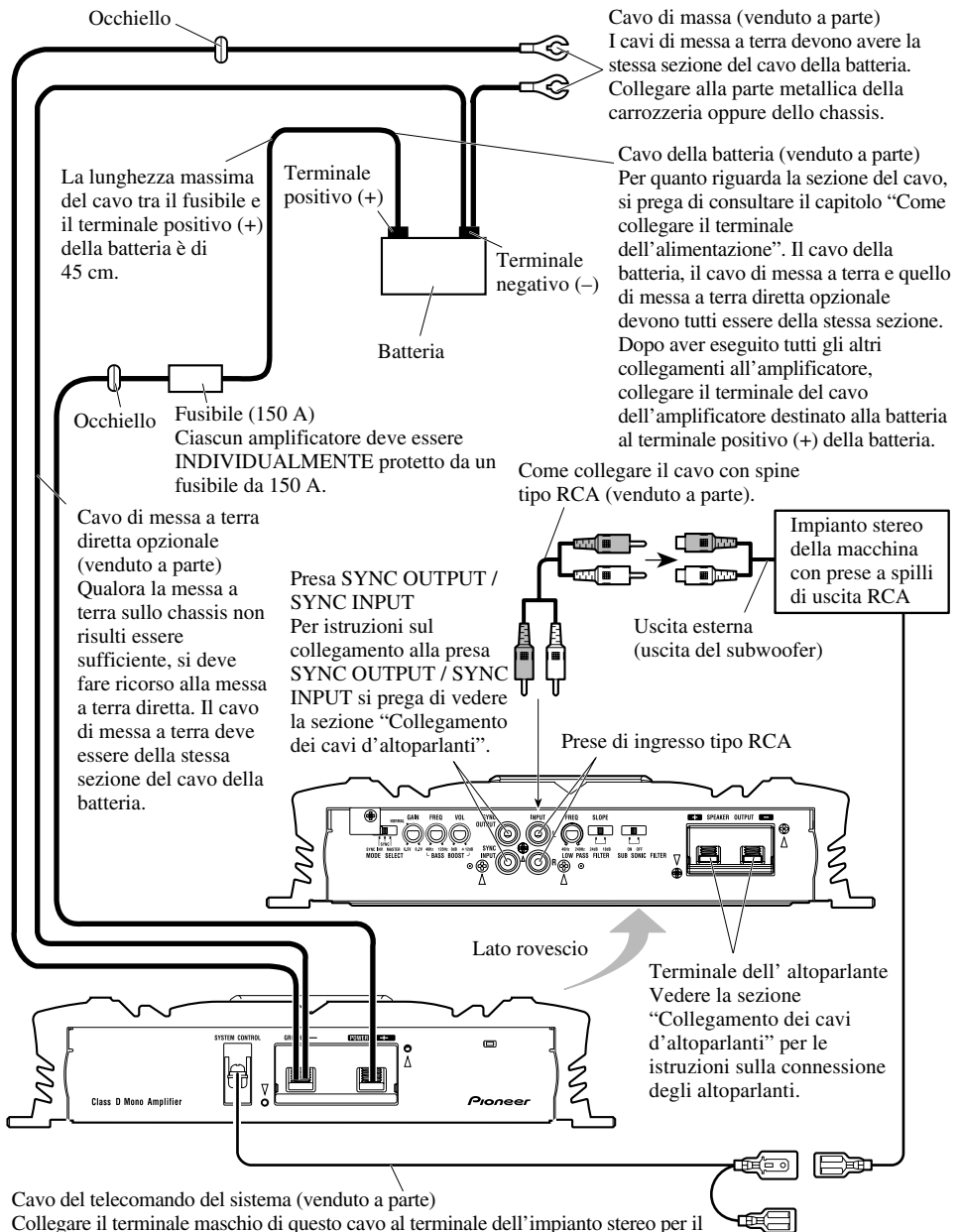
ATTENZIONE:

Per evitare danneggiamenti e/o lesioni

- Non mettere direttamente alla massa il cavo dell'altoparlante oppure collegare un cavo negativo (-) a diversi altoparlanti.
 - Questa unità è fornita per veicoli con una batteria da 12 volt ed una messa alla massa negativa. Prima di installarla in un veicolo, autocarro oppure un autobus, controllare la tensione della batteria.
 - Se l'impianto stereofonico della vettura viene lasciato in funzionamento per un lungo periodo di tempo a motore spento o al minimo, la batteria può esaurirsi. Disattivare l'impianto stereo della macchina quando il motore è fermo o al minima.
 - Se il cavo di telecomando del sistema dell'amplificatore viene collegato al terminale dell'alimentazione attraverso l'interruttore di accensione (12 V, CC), l'amplificatore sarà sempre attivato quando l'accensione è attivata, indipendentemente dal fatto che l'impianto stereo della macchina sia attivato oppure no. Dovuto a questa condizione, la batteria potrà esaurirsi se si lascia il motore fermo o al minimo.
 - NON collegare un subwoofer caratterizzato da un valore d'impedenza inferiore a quello specificato nella sezione "Come collegare l'unità". A causa di collegamenti non conformi alle specifiche fornite si potrebbe infatti verificare il danneggiamento dell'amplificatore, il suo surriscaldamento oppure un'emissione di fumo. La superficie esterna dell'amplificatore potrebbe inoltre divenire molto calda e causare quindi lievi ustioni.
- Collegate all'amplificatore uno dei due subwoofer; 1: un subwoofer provvisto di ingresso nominale da 750 W o più ed un'impedenza da 4 Ω, oppure 2: un subwoofer provvisto di ingresso nominale da 1.500 W o più ed un'impedenza da 2 Ω. Qualora sia l'ingresso nominale che l'impedenza si trovassero al di fuori delle gamme qui indicate, il subwoofer potrebbe dare luogo ad incendi, emettere fumo o comunque danneggiarsi.
 - Installare ed istradare il cavo per la batteria (venduto separatamente) quanto più possibile lontano dai cavi degli altoparlanti. Installare ed istradare i cavi della batteria e della messa a terra (venduti separatamente), degli altoparlanti e dell'amplificatore quanto più lontani possibile dall'antenna, dal cavo dell'antenna e dal sintonizzatore.

- I cavi per questo apparecchio e quelli per altri apparecchi possono avere colori diversi, pur svolgendo la stessa funzione. Per il collegamento di questo apparecchio ad un'altro, vedere i manuali di installazione di entrambi gli apparecchi, e provvedere al collegamento dei cavi aventi la stessa funzione.

Schema di collegamento



Come collegare il terminale dell'alimentazione

- Utilizzare sempre la batteria ed il cavo di messa a terra raccomandati, venduti a parte. Collegare il cavo per la batteria direttamente al terminale positivo (+) della batteria dell'auto, ed il cavo per la messa a terra al corpo dell'autovettura.
- La sezione raccomandata per i cavi (espressa in AWG: American Wire Gauge) è riportata nella tabella che segue. Il cavo della batteria, il cavo di messa a terra e quello di messa a terra diretta opzionale devono essere tutti della stessa sezione.

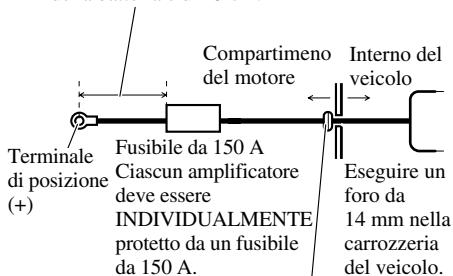
Sezione del cavo della batteria e cavo di massa

Lunghezza del cavo	inferiore a 1,2 m	1,2—2,1 m	2,1—3,0 m
Sezione del cavo	4 AWG	4 AWG	2 AWG
3,0—3,9 m	3,9—4,8 m	4,8—5,7 m	5,7—6,7 m
2 AWG	1 AWG	1 AWG	0 AWG

1. Far passare il cavo della batteria dal vano motore all'interno dell'abitacolo.

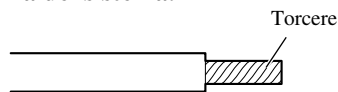
- Dopo aver eseguito tutti gli altri collegamenti all'amplificatore, collegare il terminale del cavo dell'amplificatore destinato alla batteria al terminale positivo (+) della batteria.

La lunghezza massima del cavo tra il fusibile e il terminale positivo (+) della batteria è di 45 cm.



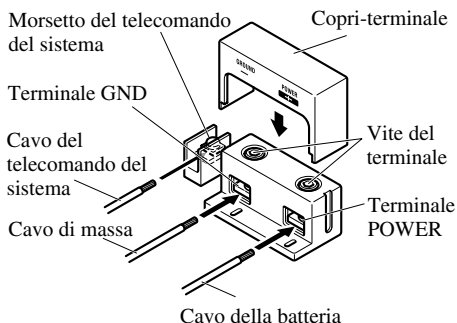
Inserire l'occhio di gomma della guarnizione toroidale nella carrozzeria del veicolo.

2. Attorcigliare l'estremità del cavo della batteria, del cavo di messa a terra, e del cavo di comando a distanza del sistema.



3. Collegare i cavi al morsetto.

- Prima di collegare i cavi ai rispettivi terminali, rimuovere gli appositi copri-terminale. Dopo avere collegato i cavi ai terminali, applicare nuovamente i copri-terminale.
- Fissare saldamente i cavi con le viti per morsetti.

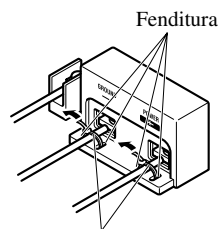


ATTENZIONE

Qualora non si fissi saldamente al terminale il cavo della batteria al terminale con le apposite viti, l'area del terminale stesso potrebbe surriscaldarsi divenendo quindi eventualmente causa di danneggiamenti e di lesioni quali, ad esempio, lievi ustioni.

4. Inserite le fascette fermacavo nelle fenditure ed avvolgetele attorno ai cavi.

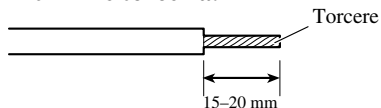
- Avvolgete ora le fascette stesse attorno al rivestimento isolante del cavo e non al cavo spelato.



Fascetta fermacavo

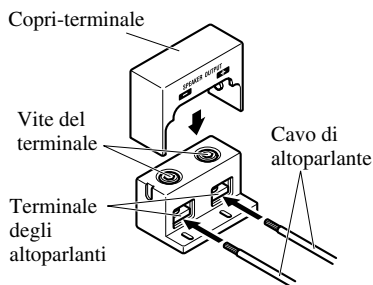
Come collegare il terminale degli altoparlanti

1. Utilizzando delle pinze oppure una tagliatrice esporre l'estremità dei cavi di altoparlanti per circa 15-20 mm e torcerla.



2. Collegare i cavi degli altoparlanti al terminale degli altoparlanti.

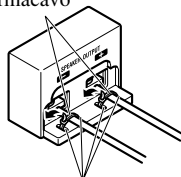
- Prima di collegare i cavi ai rispettivi terminali, rimuovere gli appositi copri-terminale. Dopo avere collegato i cavi ai terminali, applicare nuovamente i copri-terminale.
- Fissare saldamente i cavi con le viti per morsetti.



3. Inserite le fascette fermacavo nelle fenditure ed avvolgetele attorno ai cavi.

- Avvolgete ora le fascette stesse attorno al rivestimento isolante del cavo e non al cavo spelato.

Fascetta fermacavo



Fenditura

Regolazione del guadagno dell'amplificatore sincronizzato

Dopo avere collegato i cavi degli altoparlanti, regolare il controllo di guadagno di ciascun amplificatore sincronizzato. Tutti gli amplificatori sincronizzati replicano le impostazioni dell'amplificatore master.

Impostazione rapida del guadagno

Impostare sulla posizione NORMAL il controllo di guadagno di ciascun amplificatore sincronizzato. Questa impostazione bilancia in modo efficace il volume di uscita per la maggior parte delle applicazioni desiderate.

Impostazione avanzata del guadagno

Iniziando dall'amplificatore master, regolare nel rispettivo ordine il controllo di guadagno di ciascun amplificatore sincronizzato.

1. Porre in uscita l'onda sinusoidale, attraverso questo sistema, mantenendola ad un basso livello.
2. Fare uso di un voltmetro per misurare la tensione di uscita dell'amplificatore master.
3. Fare nuovamente uso di un voltmetro per misurare la tensione di uscita dell'amplificatore sincronizzato.
4. Utilizzando il controllo di guadagno dell'amplificatore sincronizzato, farne corrispondere l'uscita a quella dell'amplificatore master.
5. Ripetere l'operazione, nell'ordine appropriato, per ciascun amplificatore sincronizzato.

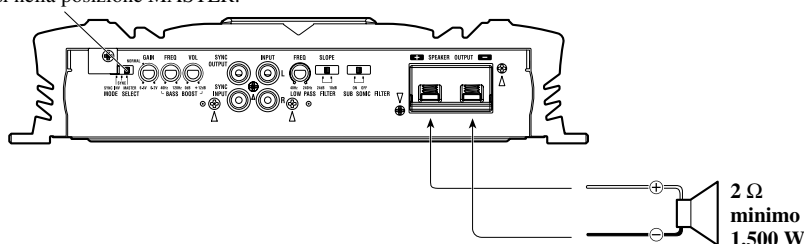
Collegamento dei cavi d'altoparlanti

Collegare i cavi degli altoparlanti in accordo alla configurazione mostrata nelle figure riportate qui sotto e nella pagina successiva.

Amplificatore singolo

- La sezione dei cavi degli altoparlanti deve essere di almeno 10 AWG.
- Il carico può essere costituito da una qualsiasi combinazione di altoparlanti, mentre l'impedenza deve essere di almeno 2 Ω .

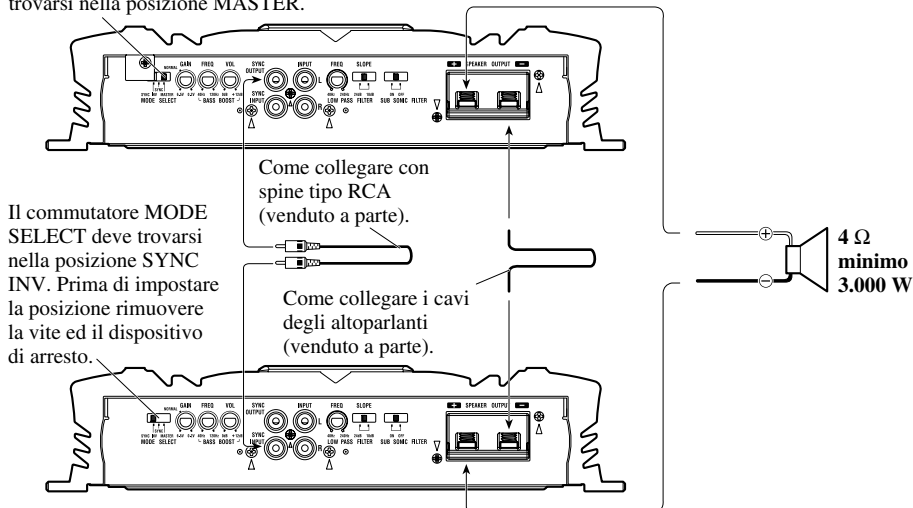
Il commutatore MODE SELECT deve trovarsi nella posizione MASTER.



Due amplificatori collegati in parallelo

- La sezione dei cavi degli altoparlanti deve essere di almeno 10 AWG.
- Il carico può essere costituito da una qualsiasi combinazione di altoparlanti, mentre l'impedenza deve essere di almeno 4 Ω.

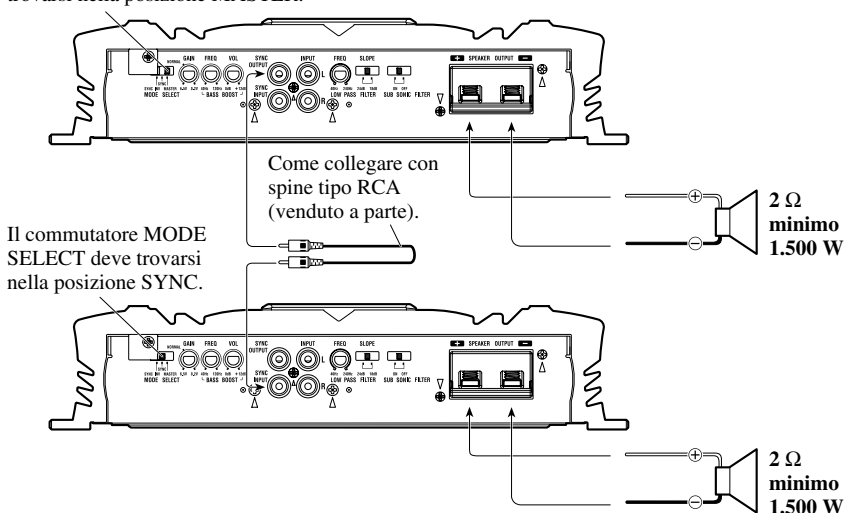
Il commutatore MODE SELECT deve trovarsi nella posizione MASTER.



Due amplificatori

- La sezione dei cavi degli altoparlanti deve essere di almeno 10 AWG.
- Load may be any combination of speakers but impedance must be 2 Ω or larger.

Il commutatore MODE SELECT deve trovarsi nella posizione MASTER.

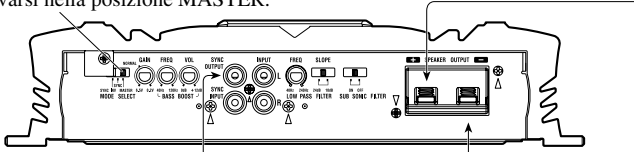


Come collegare l'unità

Quattro amplificatori collegati in parallelo

- La sezione dei cavi degli altoparlanti deve essere di almeno 10 AWG.
- Il carico può essere costituito da una qualsiasi combinazione di altoparlanti, mentre l'impedenza deve essere di almeno 4 Ω.

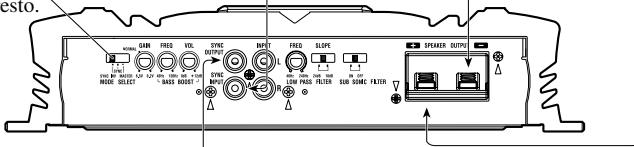
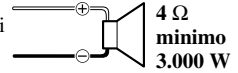
Il commutatore MODE SELECT deve trovarsi nella posizione MASTER.



Il commutatore MODE SELECT deve trovarsi nella posizione SYNC INV. Prima di impostare la posizione rimuovere la vite ed il dispositivo di arresto.

Come collegare con spine tipo RCA (venduto a parte).

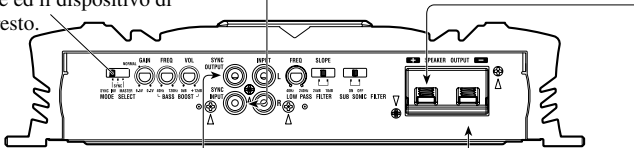
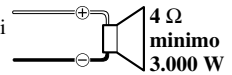
Come collegare i cavi degli altoparlanti (venduti a parte).



Il commutatore MODE SELECT deve trovarsi nella posizione SYNC INV. Prima di impostare la posizione rimuovere la vite ed il dispositivo di arresto.

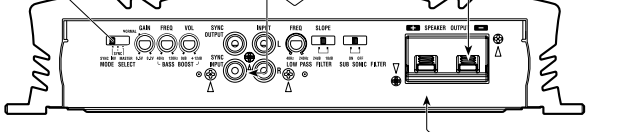
Come collegare con spine tipo RCA (venduto a parte).

Come collegare i cavi degli altoparlanti (venduti a parte).



Il commutatore MODE SELECT deve trovarsi nella posizione SYNC INV. Prima di impostare la posizione rimuovere la vite ed il dispositivo di arresto.

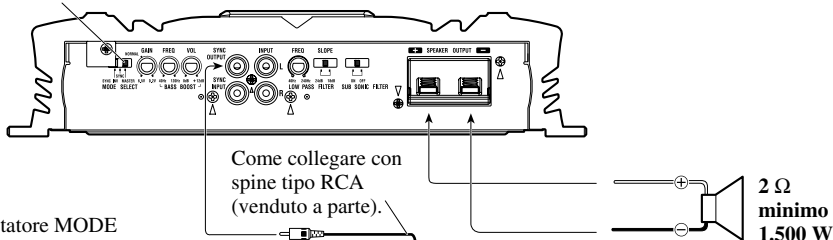
Come collegare con spine tipo RCA (venduto a parte).



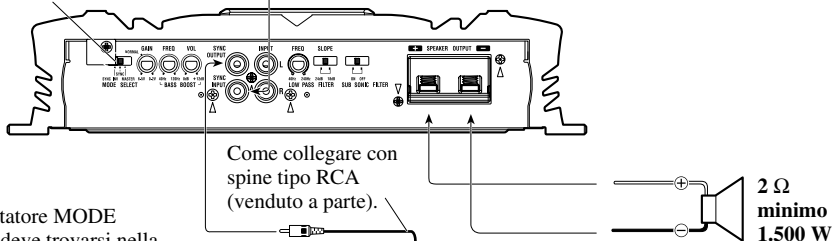
Quattro amplificatori

- La sezione dei cavi degli altoparlanti deve essere di almeno 10 AWG.
- Il carico può essere costituito da una qualsiasi combinazione di altoparlanti, mentre l'impedenza deve essere di almeno 2 Ω.

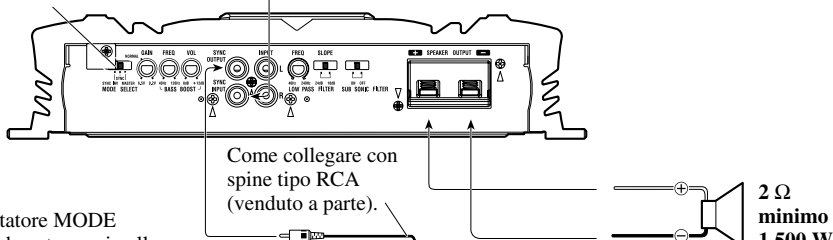
Il commutatore MODE SELECT deve trovarsi nella posizione MASTER.



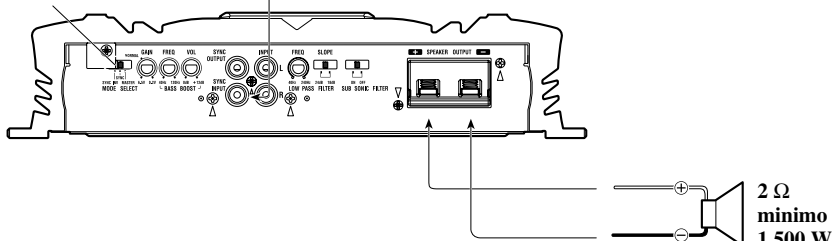
Il commutatore MODE SELECT deve trovarsi nella posizione SYNC.



Il commutatore MODE SELECT deve trovarsi nella posizione SYNC.



Il commutatore MODE SELECT deve trovarsi nella posizione SYNC.



! ATTENZIONE

- Non installare l'unità sulle posizioni seguenti:
 - Posti dove potrebbe ferire il conducente o i passeggeri se il veicolo si arresta bruscamente.
 - Posti dove potrebbe disturbare il conducente, come pavimento verso la parte anteriore del sedile del conducente.
- Assicurarsi che i cavi non vengano presi nel meccanismo a scorrimento del sedile, provocando così un cortocircuito.
- Verificare che nulla si trovi dietro il pannello quando si esegue un foro per l'installazione dell'amplificatore. Assicurarsi di proteggere tutti i cavi e componenti importanti come linee del carburante, linee del freno e cablaggio elettrico, contro i danni.
- Installare le viti autofilettanti in tale modo che le punte delle viti non siano in contatto con i cavi. Questa precauzione è importante per evitare che i cavi vengano tagliati dalle vibrazioni della vettura, poiché ciò può risultare in un incendio.
- NON lasciare che l'amplificatore entri in contatto con liquidi nel luogo in cui esso è installato. Si potrebbero generare infatti scosse elettriche. Il contatto con i liquidi può altresì danneggiare l'amplificatore stesso e i diffusori, con emissione di fumo e creazione di surriscaldamento. La superficie dell'amplificatore o quella degli altoparlanti ad esso collegati potrebbe inoltre divenire molto calda e, al contatto, procurare piccole scottature.
- Per ottenere una installazione appropriata, utilizzare le parti fornite nel modo specificato. Se qualunque parte diversa da quelle fornite viene utilizzata, potrà danneggiare le parti interne dell'amplificatore, oppure potrà allentarsi e l'amplificatore rischia di danneggiarsi.
- Non sostituire mai il fusibile con uno di valore o taratura superiore a quella del fusibile originale. L'uso di fusibili non adeguati può determinare un surriscaldamento o generare fumo, eventualmente danneggiando il prodotto e procurando lesioni o ustioni.

! ATTENZIONE:

Per evitare malfunzionamenti e/o lesioni

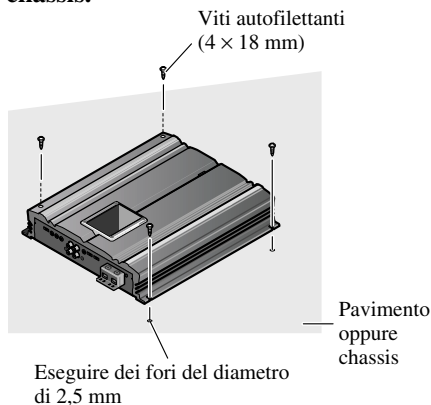
- Per assicurare una dissipazione appropriata di calore dall'amplificatore, fare attenzione ai seguenti punti per l'installazione.
 - Lasciare uno spazio adeguato sopra l'amplificatore per ottenere una ventilazione appropriata.
 - Non ricoprire l'amplificatore con tappeti o moquette.
- NON lasciare che l'amplificatore entri in contatto con liquidi nel luogo in cui esso è installato. Si potrebbero generare infatti scosse elettriche. Il contatto con i liquidi può altresì danneggiare

l'amplificatore stesso e i diffusori, con emissione di fumo e creazione di surriscaldamento. La superficie dell'amplificatore o quella degli altoparlanti ad esso collegati potrebbe inoltre divenire molto calda e, al contatto, procurare piccole scottature.

- Non installare l'amplificatore in luoghi instabili come il pannello della ruota di scorta.
- Verificare che nulla si trovi dietro il pannello quando si esegue un foro per l'installazione dell'amplificatore. Assicurarsi di proteggere tutti i cavi e componenti importanti come linee del carburante, linee del freno e cablaggio elettrico, contro i danni.
- Eseguire prima i collegamenti provvisori, poi verificare se l'amplificatore ed il sistema funzionano in modo adeguato.
- Per ottenere una installazione appropriata, utilizzare le parti fornite nel modo specificato. Se qualunque parte diversa da quelle fornite viene utilizzata, potrà danneggiare le parti interne dell'amplificatore, oppure potrà allentarsi e l'amplificatore rischia di danneggiarsi.

Esempio dell'installazione sul pavimento oppure sullo chassis

1. Posizionare l'amplificatore dove deve essere installato. Inserire le viti autofilettanti fornite (4 × 18 mm) nei fori delle viti. Spingere le viti con un cacciavite per fare dei segni dove i fori dell'installazione devono essere fatti.
2. Eseguire dei fori del diametro di 2,5 mm al punto marcato ed installare l'amplificatore, sia su tappeto, sia direttamente sullo chassis.



Caratteristiche

Alimentazione	14,4 V CC (10,8 — 15,1 V permissibili)
Collegamento a terra	Tipo negativo
Consumo	70 A (ad alimentazione continua, 4 Ω)
Corrente media consumata*	10,6 A (4 Ω per una canale) 15,6 A (2 Ω per una canale)
Fusibile	150 A
Dimensioni	300 (L) \times 64 (A) \times 330 (P) mm
Peso	7,3 kg (Cavi per il cablaggio non compresi)
Uscita massima di potenza	1.500 W \times 1 (4 Ω) / 3.000 W \times 1 (2 Ω)
Uscita di potenza continua	1.100 W \times 1 (4 Ω) / 1.950 W \times 1 (2 Ω) (DIN45324, +B=14,4 V)
Impedenza di carico	4 Ω (2 — 8 Ω permissibili), (Es. parallelo 4 — 16 Ω)
Risposta in frequenza	10 — 240 Hz (+0 dB, -1 dB)
Rapporto S/N	90 dB (rete IEC-A)
Distorsione	0,05 % (50 W, 100 Hz)
Filtro passa-basso	Frequenza di taglio: 40 — 240 Hz Pendenza di taglio: -18, -24 dB/ottava
Filtro subsonico (HPF)	Frequenza: 20 Hz Pendenza: -18 dB
Potenziamento dei bassi	Livello: 0 — 12 dB Frequenza: 40 — 120 Hz
Controllo di fase	SYNC, SYNC INV
Controllo di guadagno	200 mV — 6,5 V
Livello di ingresso massimo / impedenza	RCA: 6,5 V / 22 k Ω

Nota:

- Caratteristiche tecniche e design soggetti a modifiche senza preavviso a causa di migliorie.

*Corrente media consumata

- La corrente media consumata è circa uguale alla corrente massima consumata da questa unità quando un segnale audio viene immesso. Tenere presente questo valore per il calcolo della corrente totale consumata dai vari amplificatori utilizzati.

Alvorens gebruik	2	Aansluiten van het toestel	5
Bij problemen	2	Aansluitschema	6
Over dit product	2	Aansluiten van het spanningsaansluitpunt	7
WAARSCHUWING	2	Verbinden van de luidsprekeraansluitingen	8
WAARSCHUWING	2	Instellen van de versterking voor een gesynchroniseerde versterker	9
Instellen van dit toestel	3	Snelle instelling van de versterking	9
Versterkingsregelaar	3	Geavanceerde instelling van de versterking	9
MODE SELECT schakelaar	3	Aansluiten van de luidsprekerdraden	9
Versterkingsniveauregelaar van de lage klanken	3	Installatie	13
Frequentieregelaar van het versterkingsniveau van de lage klanken	3	Voorbeeld van installatie op de vloermat of op het chassis	13
Keuzeschakelaar Helling	3	Technische gegevens	14
Regelaar voor drempelfrequentie voor LPF	4		
Subsonic Keuzetoets	4		
Schakelaar voor de regeling van de slagfrequentie (BFC)	4		
Spanningsindicator	4		

Dank U zeer voor de aanschaf van dit PIONEER-product. Lees deze gebruiksaanwijzing goed door, voordat het toestel in gebruik genomen wordt.

Bij problemen

Neem contact op met uw dealer of het dichtstbijzijnde PIONEER servicecentrum, wanneer de eenheid niet juist functioneert.

Over dit product

Dit product is een klasse D versterker voor de subwoofer. Als zowel de L (linker) als R (rechter) kanalen zijn aangesloten op de RCA (tulp) ingangsaansluitingen van dit product, zal de geluidswaardering gemengd zijn omdat dit product een mono-versterker is.



WAARSCHUWING

Vervang de zekering in geen geval door één met een hoger vermogen of hogere waarde dan de originele. Gebruik van een verkeerde zekering kan leiden tot oververhitting en rookontwikkeling en tot beschadiging van het product en letsel, bijvoorbeeld brandwonden.

WAARSCHUWING

- Gebruik altijd de aanbevolen accudraad en aarddraad (los verkrijgbaar). Verbind het accudraad direct met de positieve pool (+) van de autoaccu en het aarddraad met het chassis van de auto.
- Raak de versterker niet met natte handen aan. U zou anders een elektrische schok kunnen krijgen. Raak de versterker tevens niet aan wanneer deze nat is.
- Voor de verkeersveiligheid dient u het volume zodanig in te stellen dat u verkeerssignalen en ander verkeer nog goed kunt horen.
- Controleer de aansluitingen voor de stroomvoorziening en de subwoofer wanneer de zekering voor de los verkrijgbare accudraad doorbrandt. Zoek de oorzaak en los het probleem op. Plaats vervolgens een nieuwe zekering van hetzelfde formaat en ampère.
- Om een onjuiste werking van de versterker en de subwoofer te voorkomen, schakelt het beschermingscircuit van de versterker de spanning naar de versterker uit indien de omstandigheden niet normaal zijn. Schakel in dit geval de spanning van het systeem uit (OFF), controleer de verbinding met de spanningsbron en de subwoofer. Zoek de oorzaak en los het probleem op.
- Raadpleeg de plaats van aankoop indien u de oorzaak niet kunt vinden.
- Om een elektrische schok of kortsluiting te voorkomen tijdens het aansluiten en installeren, moet de negatieve (-) pool van de accu worden ontkoppeld voordat u de eenheid aansluit.
- Controleer of er zich geen onderdelen achter het paneel bevinden wanneer u een gat boort voor de installatie van de versterker. Zorg ervoor dat alle kabels en belangrijke onderdelen zoals brandstofleidingen, remleidingen en de elektrische bedrading beveiligd zijn en niet kunnen worden beschadigd.
- Laat de versterker IN GEEN GEVAL in contact komen met vloeistoffen, bijvoorbeeld als gevolg van de opstelling van de versterker. Dit kan leiden tot elektrische schokken. De versterker en luidsprekers kunnen ook beschadigd raken, rook produceren en oververhit raken door contact met vloeistoffen. Daarbij kan het oppervlak van de versterker en het oppervlak van aangesloten luidsprekers heet worden, hetgeen kan leiden tot lichte brandwonden.

Versterkingsregelaar

Draai de versterkingsregelaar op het voorpaneel van de eindversterker naar rechts indien de weergave te zacht klinkt, zelf wanneer het volume is verhoogd met de auto-stereo die u met deze eindversterker gebruikt. Draai de versterkingsregelaar naar links indien het geluid vervormt wanneer het volume wordt verhoogd.

- Wanneer u een auto-stereo gebruikt met RCA (standaard uitgangsspanning 500 mV), dient u de NORMAL stand in te stellen. Wanneer u een Pioneer auto-stereo met RCA gebruikt, met een maximale uitgangsspanning van 4 V of meer, dient u het niveau aan te passen aan het uitgangsniveau van de auto-stereo.
- Voor de versterking van een gesynchroniseerde versterker, zie "Instellen van de versterking voor een gesynchroniseerde versterker".

MODE SELECT schakelaar

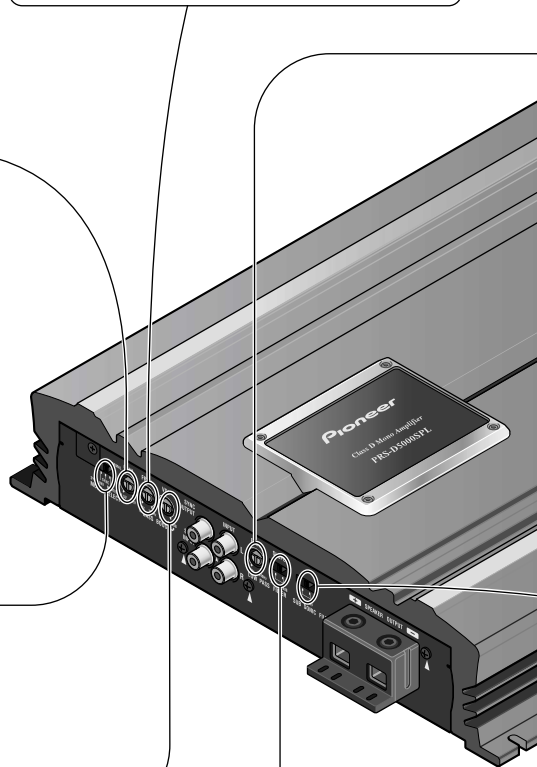
U kunt wat betreft de synchronisatiefunctie voor de versterker kiezen uit MASTER, SYNC en SYNC INV. Zie "Aansluiten van de luidsprekerdraden" voor de juiste stand van de MODE SELECT schakelaar.

Versterkingsniveauregelaar van de lage klanken

De versterkingsniveauregelaar van de lage klanken kan het niveau versterken rond de frequentie die is gekozen met de frequentieregelaar voor de versterking van de lage klanken van 0 t/m 12 dB.

Frequentieregelaar van het versterkingsniveau van de lage klanken

Met de versterkingsregelaar van de lage klanken kunt u een frequentie voor de versterking van de lage klanken kiezen die tussen 40 t/m 120 Hz ligt.



Keuzeschakelaar Helling

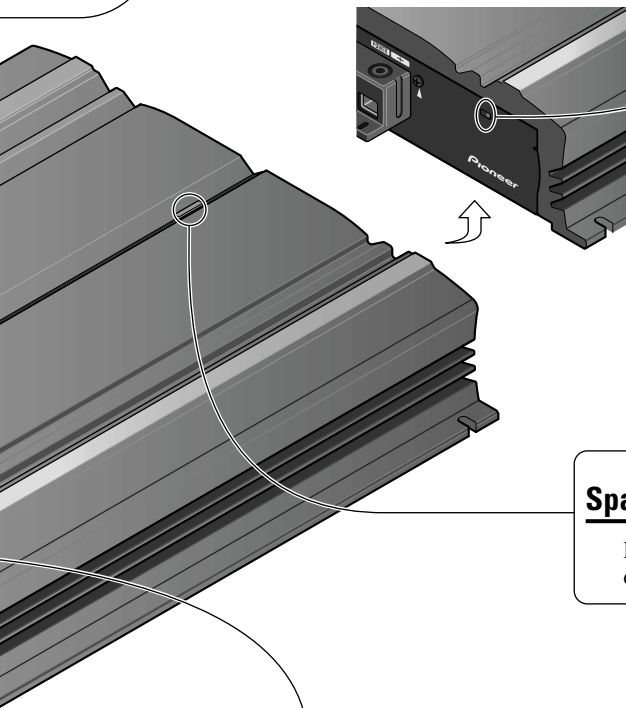
U kunt een helling voor het laagdoorlaatfilter (LPF) kiezen tussen -18 en -24 dB.

Regelaar voor drempelfrequentie voor LPF

U kunt een drempelfrequentie van 40 t/m 240 Hz kiezen.

Schakelaar voor de regeling van de slagfrequentie (BFC)

Als u een slag of dreun hoort bij het luisteren naar een MW/LW (MG/LG)-uitzending op uw autostereo, kunt u de stand van de BFC-schakelaar wijzigen met een kleine schroevendraaier met platte kop.



Spanningsindicator

De spanningsindicator licht op wanneer de spanning wordt ingeschakeld.

Subsonic Keuzetoets

Het Subsonic filter houdt onhoorbare frequenties lager dan 20 Hz tegen om ongewenste vibraties te voorkomen en vermogensverliezen te minimaliseren.



WAARSCHUWING

- Voorkom kortsluiting en beschadiging van de eenheid en ontkoppel de negatieve (-) accupool van het voertuig.
- Zet de bedrading met kabelklemmen of isoleer- of plakband vast. Bescherm de bedrading door de gedeeltes in de buurt van metalen delen met isoleerband af te dekken.
- Leid de draden niet langs plaatsen die heet worden, bijvoorbeeld in de buurt van de verwarmingselementen. Indien de isolatie van draden heet wordt, zullen de draden worden beschadigd met kortsluiting tot gevolg.
- Zorg dat de bedrading de werking van bewegende of verplaatsbare onderdelen, bijvoorbeeld de versnelling, handrem of stoelverstelmechanismen van het de auto niet hindert.
- Tap het spanningsdraad van dit toestel niet af voor gebruik van andere apparaten. Het vermogen van het draad zou dan namelijk worden overschreden, met oververhitting tot gevolg.
- Vervang de zekering in geen geval door één met een hoger vermogen of hogere waarde dan de originele. Gebruik van een verkeerde zekering kan leiden tot oververhitting en rookontwikkeling en tot beschadiging van het product en letsel, bijvoorbeeld brandwonden.

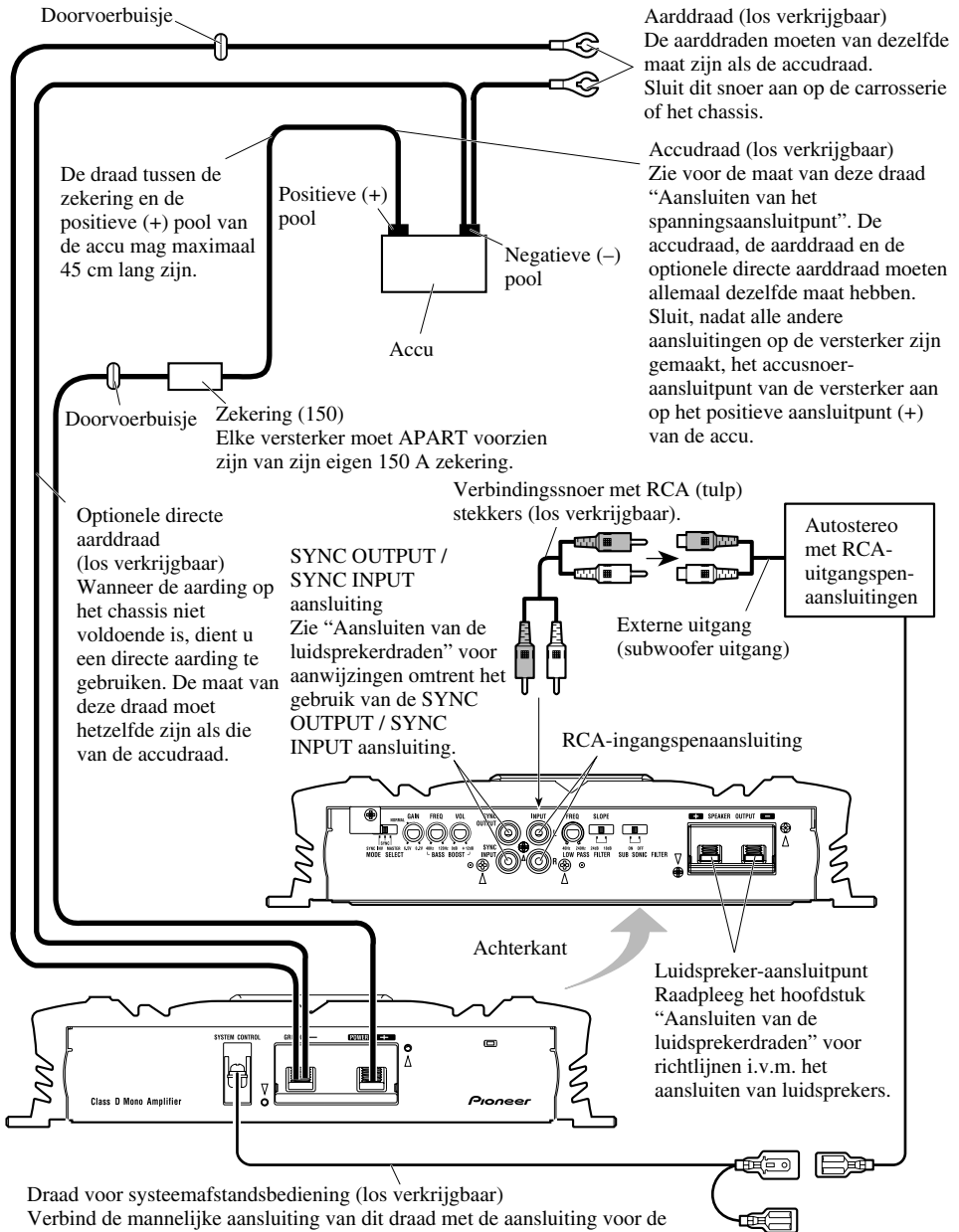


WAARSCHUWING:

Om beschadiging en/of letsel te voorkomen

- Aard het luidsprekersnoer niet rechtstreeks en sluit evenmin een negatief snoer (-) aan voor verschillende luidsprekers.
- Dit toestel is ontworpen voor auto's met een accu van 12 V en negatieve aarding. Kijk bijgevolg eerst de accuspanning na voor u het toestel installeert in een recreatief voertuig, vrachtwagen of bus.
- De accu raakt mogelijk uitgeput indien de auto-stereo langdurig is ingeschakeld maar de motor stationair draait of is uitgeschakeld. Zet de auto-stereo uit wanneer de motor stationair draait of is uitgeschakeld.
- Als het systeem-afstandbedieningssnoer van de versterker is aangesloten op de spanningsaansluiting via de contactschakelaar (12 V gelijkstroom), is de versterker altijd ingeschakeld wanneer het contact aanstaat, ongeacht of de auto-stereo wel of niet door u is aangezet. Hierdoor raakt de accu mogelijk uitgeput wanneer de motor stationair draait of is uitgeschakeld.
- Sluit GEEN subwoofer aan met een lagere impedantie dan opgegeven onder "Aansluiten van het toestel". Dit kan namelijk leiden tot schade aan de versterker, rookontwikkeling en oververhitting. Ook kan het oppervlak van de versterker heet aanvoelen, hetgeen zelfs kan leiden tot lichte brandwonden.
- U kunt twee soorten subwoofers aansluiten op de versterker; 1: een subwoofer met een nominaal ingangsvermogen van 750 W of meer en een impedantie van 4 Ω , of 2: een subwoofer met een nominaal ingangsvermogen van 1.500 W of meer en een impedantie van 2 Ω . Als het nominale ingangsvermogen en de impedantie buiten de genoemde waarden ligt, kan de subwoofer vlam vatten, rook uitstoten of kapot gaan.
- Plaats en leid het los verkrijgbare accudraad zo ver als mogelijk uit de buurt van de luidsprekerdraden. Plaats en leid het los verkrijgbare accudraad en aarddraad, luidsprekerdraden en de versterker zo ver als mogelijk uit de buurt van de antenne, antennekabel en tuner.
- Snoeren voor dit toestel en overeenkomende snoeren voor andere toestellen hebben mogelijk verschillende kleuren ookal is de functie van de snoeren hetzelfde. Zie voor het verbinden van dit toestel met een ander toestel daarom de installatiehandleiding van beide toestellen en verbind de snoeren met dezelfde functie met elkaar.

Aansluitschema



Draad voor systeemafstandsbediening (los verkrijgbaar)

Verbind de mannelijke aansluiting van dit draad met de aansluiting voor de systeemafstandsbediening van de autostereo (SYSTEM REMOTE CONTROL).

Het vrouwelijke aansluitpunt kan worden aangesloten op het relaisbesturingsaansluitpunt van de automatische antenne. Als de autostereo niet beschikt over een systeem-afstandsbedieningsaansluitpunt, sluit dan het mannelijke aansluitpunt aan op het spanningsaansluitpunt via de contactschakelaar.

Aansluiten van het spanningsaansluitpunt

- Gebruik altijd de aanbevolen accu en aarddraad (los verkrijgbaar). Verbind het accudraad direct met de positieve pool (+) van de autoaccu en het aarddraad met het chassis van de auto.
- De aanbevolen maten voor de draden (AWG: American Wire Gauge) zijn als volgt. De accudraad, de aarddraad en de optionele directe aarddraad moeten allemaal dezelfde maat hebben.

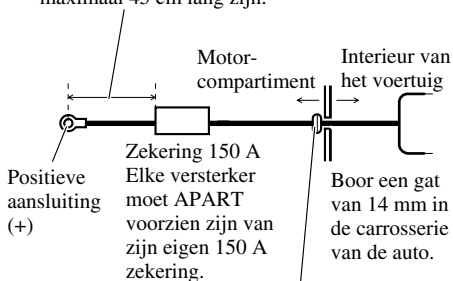
Maat voor de accudraad en de aarddraad

Draadlengte	minder dan 1,2 m	1,2—2,1 m	2,1—3,0 m
Draadmaat	4 AWG	4 AWG	2 AWG
3,0—3,9 m	3,9—4,8 m	4,8—5,7 m	5,7—6,7 m
2 AWG	1 AWG	1 AWG	0 AWG

1. Trek het accudraad van het motorgedeelte naar de cabine van de auto.

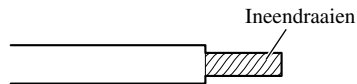
- Sluit, nadat alle andere aansluitingen op de versterker zijn gemaakt, het accuoer-aansluitpunt van de versterker aan op het positieve aansluitpunt (+) van de accu.

De draad tussen de zekering en de positieve (+) pool van de accu mag maximaal 45 cm lang zijn.



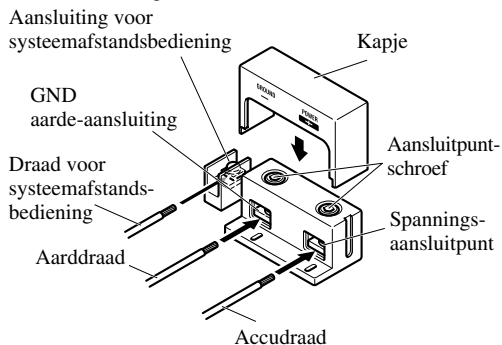
Steek het rubberen O-vormige doorvoerbuysje in de carrosserie van de auto.

2. Draai het accudraad, aarddraad en systeemafstandsbedieningsdraad ineen.



3. Sluit de draden aan.

- Voor u de draden met de aansluitingen gaat verbinden, moet u het kapje verwijderen. Doe het kapje weer terug nadat u de draden heeft verbonden met de aansluitingen.
- Zet de draden stevig met de schroeven van de aansluitingen vast.

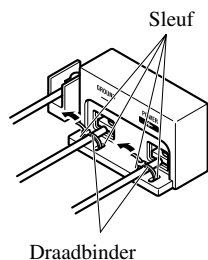


⚠ WAARSCHUWING

Als de accudraad niet goed wordt bevestigd aan het aansluitpunt met behulp van de schroef, kan het aansluitpunt oververhit raken, hetgeen kan leiden tot schade en letsel, met inbegrip van lichte brandwonden.

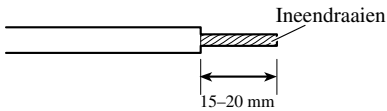
4. Doe de draadbinders in de sleuven en wikkel de draadbinders om de draden.

- Wikkel de draadbinder om de isolatie, niet om het ontblote deel van de bedrading.



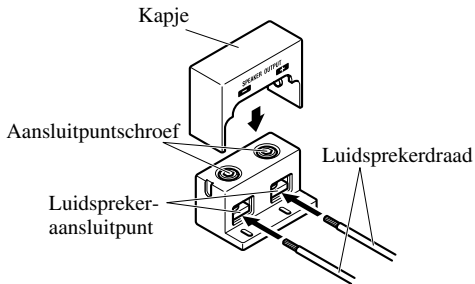
Verbinden van de luidsprekeraansluitingen

1. Verwijder ongeveer 15–20 mm isolatie van het uiteinde van de luidsprekerdraden met een tang, en draai de draadstrengen ineen.



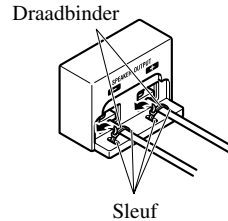
2. Verbind de luidsprekerdraden met de luidsprekeraansluiting.

- Voor u de draden met de aansluitingen gaat verbinden, moet u het kapje verwijderen. Doe het kapje weer terug nadat u de draden heeft verbonden met de aansluitingen.
- Zet de luidsprekerdraden goed met de schroeven van de aansluiting vast.



3. Doe de draadbinders in de sleuven en wikkel de draadbinders om de draden.

- Wikkel de draadbinder om de isolatie, niet om het ontblote deel van de bedrading.



Instellen van de versterking voor een gesynchroniseerde versterker

Nadat u de luidsprekerdraden heeft aangesloten, dient u de versterking voor elke gesynchroniseerde versterker in te stellen. Alle gesynchroniseerde versterkers volgen de instellingen van de hoofdversterker.

Snelle instelling van de versterking

Zet de versterking van elke gesynchroniseerde versterker op NORMAL. Deze instelling zorgt voor een gebalanceerd uitgangsniveau en is geschikt voor de meeste toepassingen.

Geavanceerde instelling van de versterking

Regel de versterking van alle gesynchroniseerde versterkers, te beginnen met de hoofdversterker.

1. Laat het systeem een sinusgolf reproduceren op een laag uitgangsniveau.
2. Neem een voltmeter en meet het uitgangsniveau van de hoofdversterker.
3. Meet nu met de voltmeter het uitgangsniveau van de gesynchroniseerde versterker.
4. Regel het uitgangsniveau van de gesynchroniseerde versterker zo dat dit overeenkomt met dat van de hoofdversterker.
5. Herhaal deze procedure voor elk van de gesynchroniseerde versterkers, in de juiste volgorde.

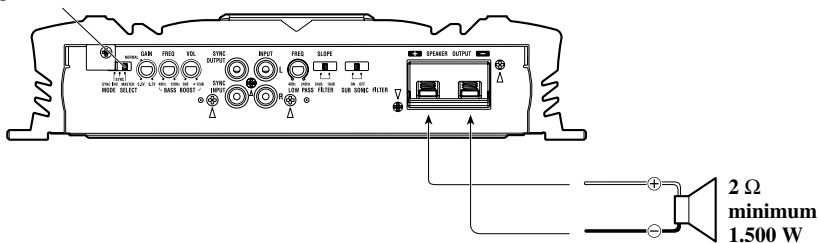
Aansluiten van de luidsprekerdraden

Sluit de luidsprekerdraden aan overeenkomstig de configuratie van uw systeem aan de hand van de afbeeldingen op deze en de volgende bladzijde.

Enkele versterker

- De maat van de luidsprekerbedrading moet tenminste 10 AWG bedragen.
- Het vermogen hangt mede af van de combinatie van de luidsprekers, maar de impedantie moet 2 Ω of hoger zijn.

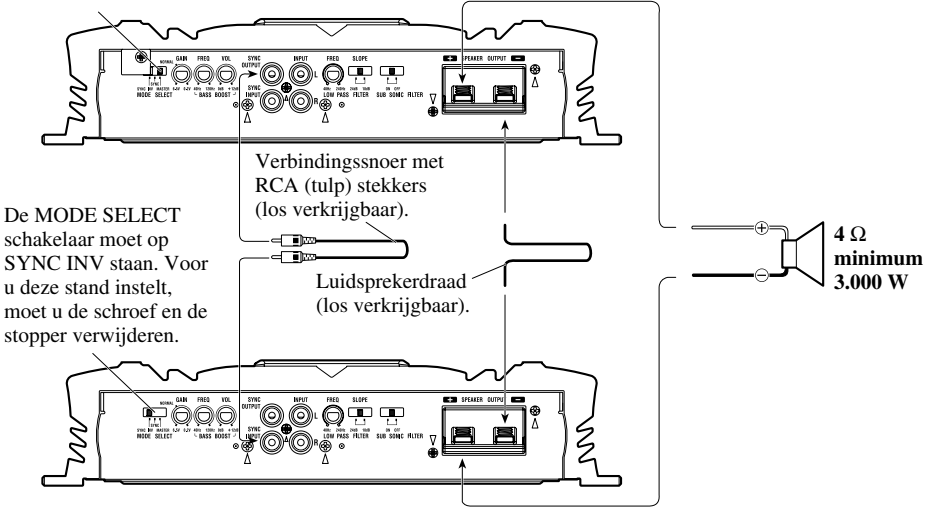
De MODE SELECT schakelaar moet op MASTER staan.



Twee versterkers in brugschakeling

- De maat van de luidsprekerbedrading moet tenminste 10 AWG bedragen.
- Het vermogen hangt mede af van de combinatie van de luidsprekers, maar de impedantie moet 4 Ω of hoger zijn.

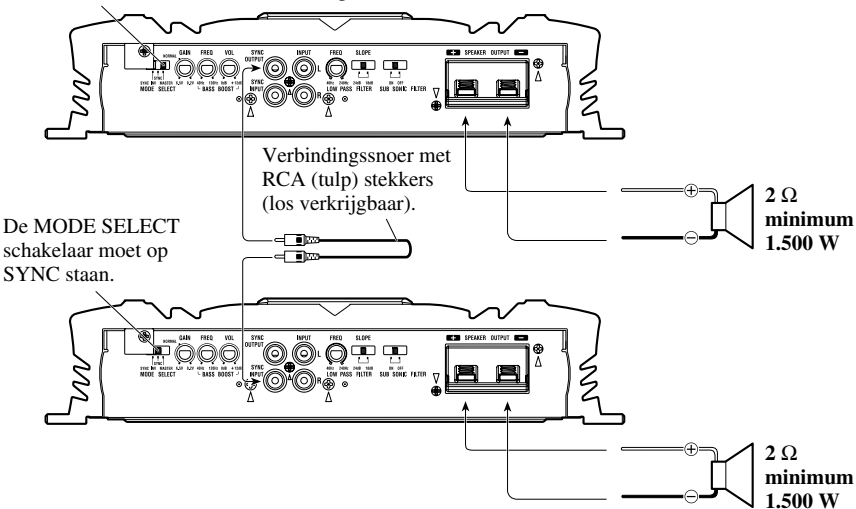
De MODE SELECT schakelaar moet op MASTER staan.



Twee versterkers

- De maat van de luidsprekerbedrading moet tenminste 10 AWG bedragen.
- Het vermogen hangt mede af van de combinatie van de luidsprekers, maar de impedantie moet 2 Ω of hoger zijn.

De MODE SELECT schakelaar moet op MASTER staan.

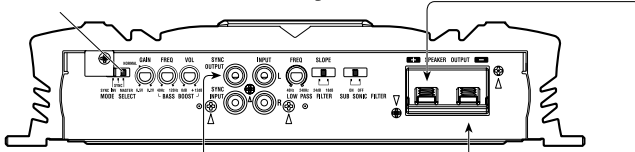


Aansluiten van het toestel

Vier versterkers in brugschakeling

- De maat van de luidsprekerbedrading moet tenminste 10 AWG bedragen.
- Het vermogen hangt mede af van de combinatie van de luidsprekers, maar de impedantie moet 4 Ω of hoger zijn.

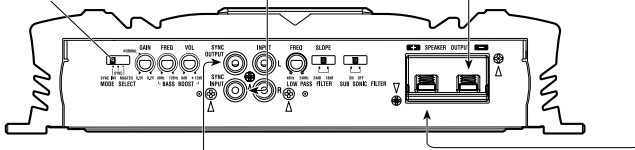
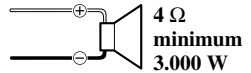
De MODE SELECT schakelaar moet op MASTER staan.



De MODE SELECT schakelaar moet op SYNC INV staan. Voor u deze stand instelt, moet u de schroef en de stopper verwijderen.

Verbindings snoer met RCA (tulp) stekkers (los verkrijgbaar).

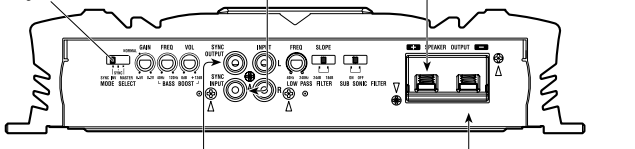
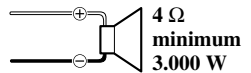
Luidsprekerdraad (los verkrijgbaar).



De MODE SELECT schakelaar moet op SYNC INV staan. Voor u deze stand instelt, moet u de schroef en de stopper verwijderen.

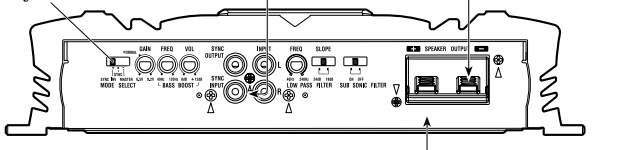
Verbindings snoer met RCA (tulp) stekkers (los verkrijgbaar).

Luidsprekerdraad (los verkrijgbaar).



De MODE SELECT schakelaar moet op SYNC INV staan. Voor u deze stand instelt, moet u de schroef en de stopper verwijderen.

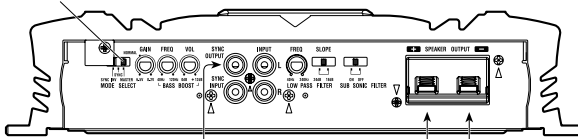
Verbindings snoer met RCA (tulp) stekkers (los verkrijgbaar).



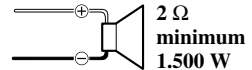
Vier versterkers

- De maat van de luidsprekerbedrading moet tenminste 10 AWG bedragen.
- Het vermogen hangt mede af van de combinatie van de luidsprekers, maar de impedantie moet 2 Ω of hoger zijn.

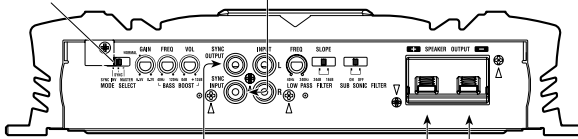
De MODE SELECT schakelaar moet op MASTER staan.



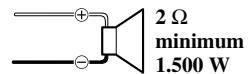
Verbindingsnoer met RCA (tulp) stekkers (los verkrijgbaar).



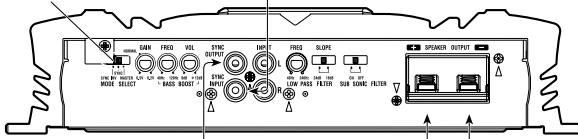
De MODE SELECT schakelaar moet op SYNC staan.



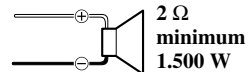
Verbindingsnoer met RCA (tulp) stekkers (los verkrijgbaar).



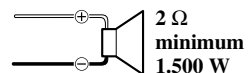
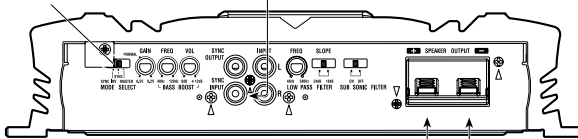
De MODE SELECT schakelaar moet op SYNC staan.



Verbindingsnoer met RCA (tulp) stekkers (los verkrijgbaar).



De MODE SELECT schakelaar moet op SYNC staan.



! WAARSCHUWING

- Niet installeren op:
 - Plaatsen waar het de bestuurder of passagiers zou kunnen verwonden wanneer de auto plotseling stopt.
 - Plaatsen waar de bestuurder door de eenheid tijdens het rijden zou kunnen worden gehinderd, zoals bijvoorbeeld op de vloer voor de bestuurdersstoel.
- Controleer dat draden niet in de weg van de stoelverstelmechanismen zitten. Dit zou namelijk kortsluiting kunnen veroorzaken.
- Controleer of er zich geen onderdelen achter het paneel bevinden wanneer u een gat boort voor de installatie van de versterker. Zorg ervoor dat alle kabels en belangrijke onderdelen zoals brandstofleidingen, remleidingen en de elektrische bedrading beveiligd zijn en niet kunnen worden beschadigd.
- Plaats tapschroeven zodanig dat de kop van de schroef niet in aanraking met draden komt. Dit is belangrijk en voorkomt dat draden door trillingen van het voertuig door worden gesneden met brand tot gevolg.
- Laat de versterker IN GEEN GEVAL in contact komen met vloeistoffen, bijvoorbeeld als gevolg van de opstelling van de versterker. Dit kan leiden tot elektrische schokken. De versterker en luidsprekers kunnen ook beschadigd raken, rook produceren en oververhit raken door contact met vloeistoffen. Daarbij kan het oppervlak van de versterker en het oppervlak van aangesloten luidsprekers heet worden, hetgeen kan leiden tot lichte brandwonden.
- Gebruik de bijgeleverde onderdelen op de manier die is beschreven om de installatie uit te voeren zoals het hoort. Als andere onderdelen dan diegene die zijn bijgeleverd worden gebruikt, is het mogelijk dat inwendige onderdelen van de versterker schade oplopen of loskomen, zodat de versterker niet meer werkt.
- Vervang de zekering in geen geval door één met een hoger vermogen of hogere waarde dan de originele. Gebruik van een verkeerde zekering kan leiden tot oververhitting en rookontwikkeling en tot beschadiging van het product en letsel, bijvoorbeeld brandwonden.

! WAARSCHUWING:

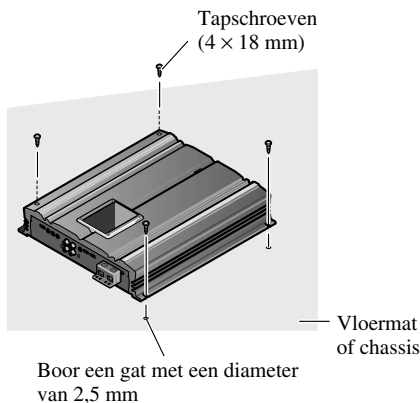
Om slechte werking en/of letsel te voorkomen

- Zorg dat de ventilatie van de versterker niet wordt gehinderd, en let derhalve op de volgende punten tijdens het installeren.
 - Zorg dat er voor een goede vrije ruimte boven de versterker is.
 - Bedek de versterker niet met een vloermat of kleed.

- Laat de versterker IN GEEN GEVAL in contact komen met vloeistoffen, bijvoorbeeld als gevolg van de opstelling van de versterker. Dit kan leiden tot elektrische schokken. De versterker en luidsprekers kunnen ook beschadigd raken, rook produceren en oververhit raken door contact met vloeistoffen. Daarbij kan het oppervlak van de versterker en het oppervlak van aangesloten luidsprekers heet worden, hetgeen kan leiden tot lichte brandwonden.
- Installeer de versterker niet op onstabiele plaatsen, zoals op de reservebandhouder.
- De beste installatieplaats is verschillend afhankelijk van het automerk en model en uw wensen. Plaats de versterker echter beslist stevig op een stabiele plaats.
- Maak eerst voorlopige aansluitingen en ga na of de versterker en het systeem naar behoren werken.
- Na het installeren van de versterker, moet u controleren dat het reservewiel, de krik en het gereedschap nog gemakkelijk kunnen worden verwijderd.

Voorbeeld van installatie op de vloermat of het chassis

1. Zet de versterker op de plaats waar hij moet worden geïnstalleerd. Steek de bijgeleverde tapschroeven (4×18 mm) in de schroefgaten. Druk met een schroevendraaier op de schroeven zodat ze een inkeping maken op de plaats waar de gaten voor de installatie moeten komen.
2. Boor gaten met een diameter van 2,5 mm op de plaatsen die zijn gemerkt en installeer de versterker, ofwel op de vloermat ofwel rechtstreeks op het chassis.



Technische gegevens

Spanningsbron	14,4 V gelijkstroom (10,8 — 15,1 V toelaatbaar)
Aarding	Negatieve klem aan massa
Stroomverbruik	70 A (met continu spanning, 4 Ω)
Gemiddeld stroomverbruik*	10,6 A (4 Ω voor een kanaal) 15,6 A (2 Ω voor een kanaal)
Zekering	150 A
Afmetingen	300 (B) × 64 (H) × 330 (D) mm
Gewicht	7,3 kg (Excl. bedrading)
Maximale spanningsuitvoer	1.500 W × 1 (4 Ω) / 3.000 W × 1 (2 Ω)
Continu uitgangsvermogen	1.100 W × 1 (4 Ω) / 1.950 W × 1 (2 Ω) (DIN45324, +B = 14,4 V)
Belastingimpedantie	4 Ω (2 — 8 Ω toelaatbaar), (Vb. Brug 4 — 16 Ω)
Frequentieweergave	10 — 240 Hz (+0 dB, -1 dB)
S/R verhouding	90 dB (IEC-A netwerk)
Vervorming	0,05% (50 W, 100 Hz)
Laag-doorlaatfilter	Afsnijfrequentie: 40 — 240 Hz Afsnijf-helling: -18, -24 dB/oct
Subsonisch filter (HPF)	Frequentie: 20 Hz Helling: -18 dB
Extra versterking lage tonen	Niveau: 0 — 12 dB Frequentie: 40 — 120 Hz
Faseregeling	SYNC, SYNC INV
Versterkingsregeling	200 mV — 6,5 V
Maximale ingangsniveau /-impedantie	RCA: 6,5 V / 22 kΩ

Opmerking:

- Technische gegevens en ontwerp zijn ter productverbetering zonder voorafgaande kennisgeving wijzigbaar.

*Gemiddeld stroomverbruik

- Het gemiddelde stroomverbruik is zo goed als gelijk aan het maximale stroomverbruik van dit toestel bij ontvangst van een audiosignaal. Gebruik deze waarde bij het uitrekenen van het totale stroomverbruik van meerdere vermogensversterkers.

PIONEER CORPORATION

4-1, MEGURO 1-CHOME, MEGURO-KU, TOKYO 153-8654, JAPAN

PIONEER ELECTRONICS (USA) INC.

P.O. Box 1540, Long Beach, California 90801-1540, U.S.A.
TEL: (800) 421-1404

PIONEER EUROPE NV

Haven 1087, Keetberglaan 1, B-9120 Melsele, Belgium
TEL: (0) 3/570.05.11

PIONEER ELECTRONICS ASIACENTRE PTE. LTD.

253 Alexandra Road, #04-01, Singapore 159936
TEL: 65-6472-7555

PIONEER ELECTRONICS AUSTRALIA PTY. LTD.

178-184 Boundary Road, Braeside, Victoria 3195, Australia
TEL: (03) 9586-6300

PIONEER ELECTRONICS OF CANADA, INC.

300 Allstate Parkway, Markham, Ontario L3R 0P2, Canada
TEL: 1-877-283-5901

PIONEER ELECTRONICS DE MEXICO, S.A. de C.V.

Bld.Manuel Avila Camacho 138 10 piso
Col.Lomas de Chapultepec, Mexico, D.F. 11000
TEL: 55-9178-4270

Published by Pioneer Corporation.
Copyright © 2004 by Pioneer Corporation.
All rights reserved.

Publication de Pioneer Corporation.
Copyright © 2004 Pioneer Corporation.
Tous droits de reproduction et de traduction
réservés.

Free Manuals Download Website

<http://myh66.com>

<http://usermanuals.us>

<http://www.somanuals.com>

<http://www.4manuals.cc>

<http://www.manual-lib.com>

<http://www.404manual.com>

<http://www.luxmanual.com>

<http://aubethermostatmanual.com>

Golf course search by state

<http://golfingnear.com>

Email search by domain

<http://emailbydomain.com>

Auto manuals search

<http://auto.somanuals.com>

TV manuals search

<http://tv.somanuals.com>