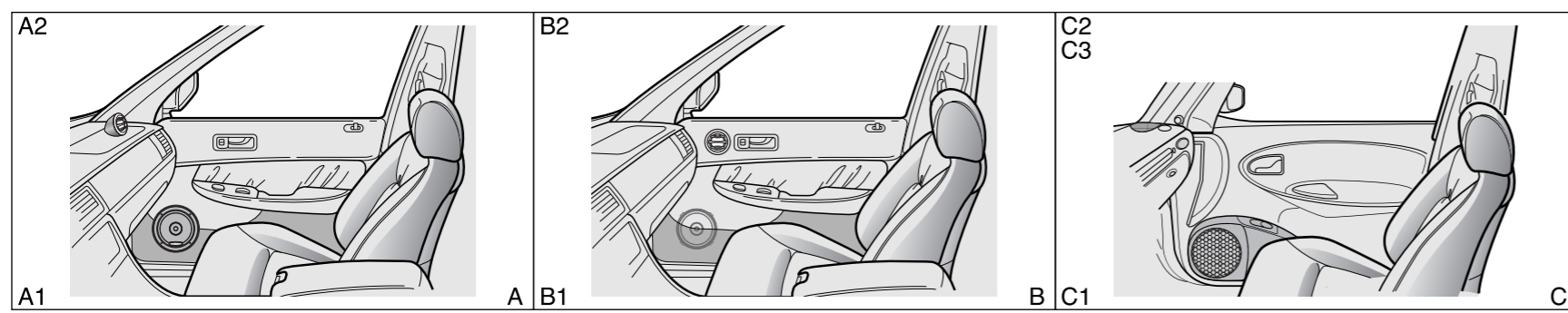
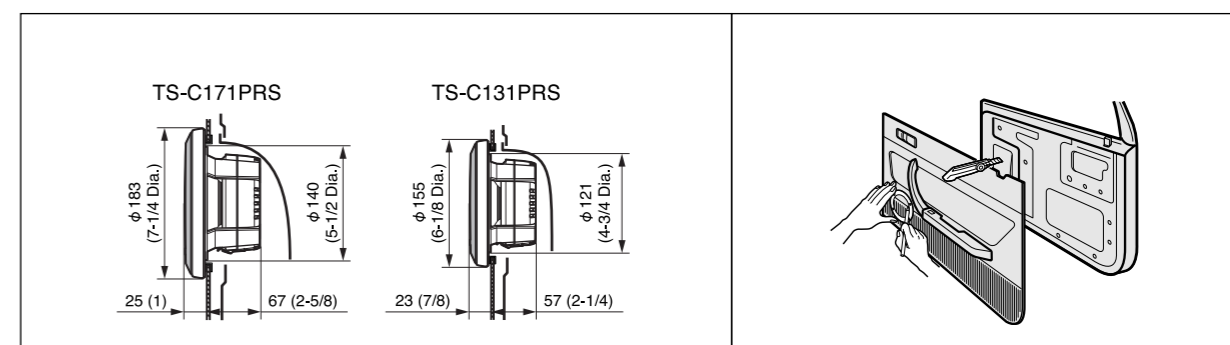


● EXAMPLE OF MOUNTING ● HINWEISE ZUM EINBAU ● EXEMPLE DE MONTAGE ● ESEMPIO DI MONTAGGIO ● EJEMPLO DE MONTAJE ● EXEMPLO DE MONTAGEM ● ПРИМЕР ПОДКЛЮЧЕНИЯ ● 安裝例 ● أمثلة على التركيب

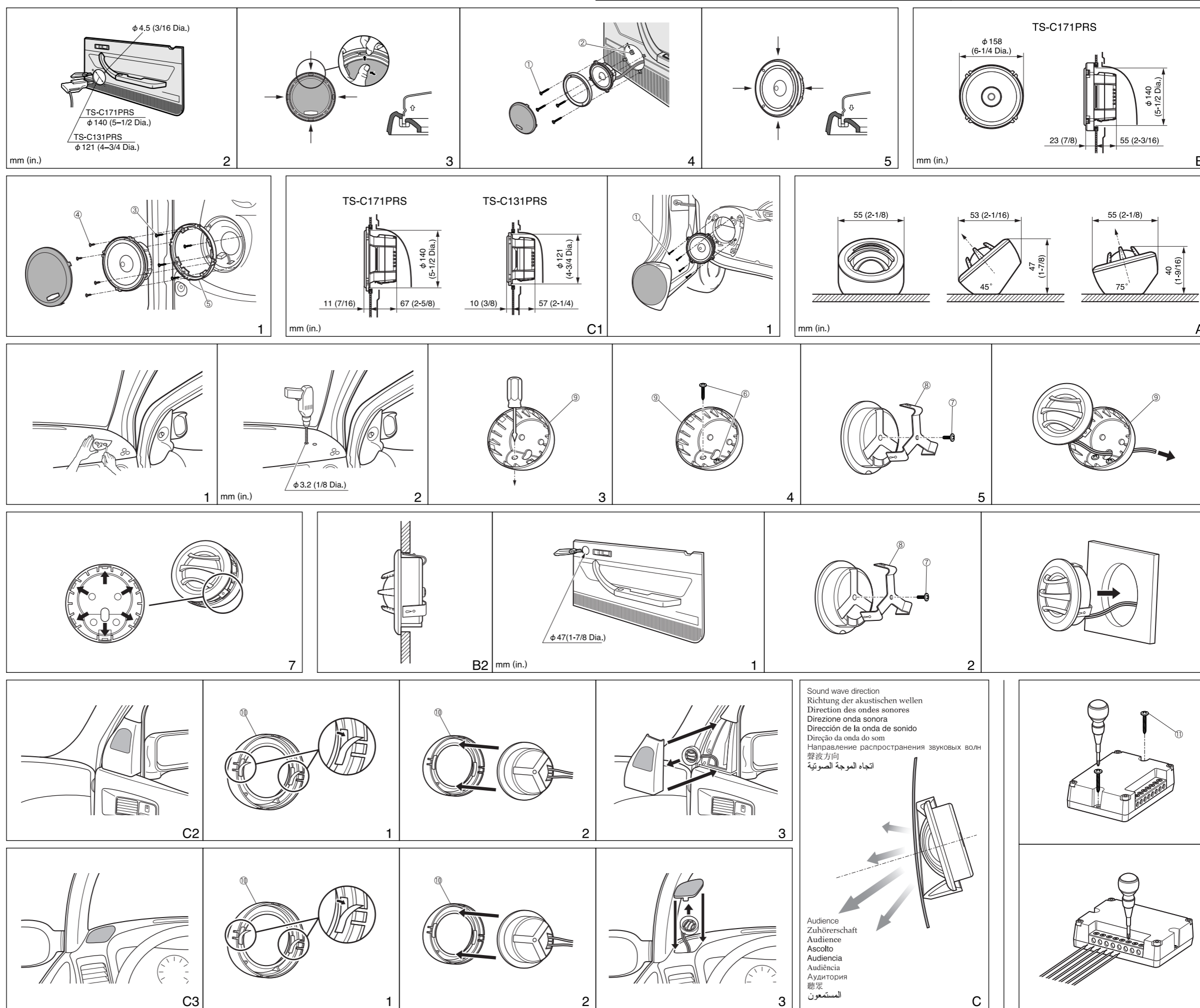


● HOW TO INSTALL ● EINBAU ● MODE D'INSTALLATION ● MODO DI INSTALLAZIONE ● INSTALACION ● COMO INSTALAR ● КАК ПОДКЛЮЧИТЬ ● 安裝方法 ● كيفية التركيب

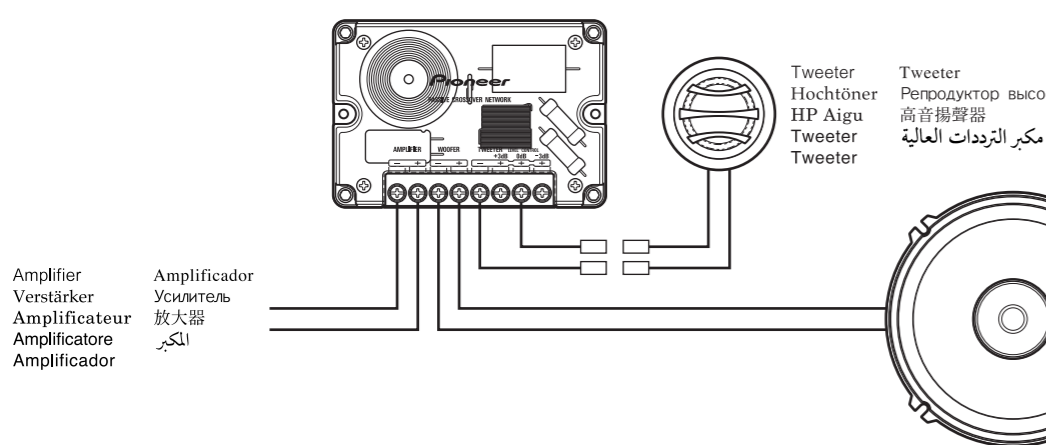


● PARTS INCLUDED ● MIT GELIEFERTES ZUBEHÖR ● PIECES COMPRISES ● PEZZI INCLUSI ● PIEZAS INCLUIDAS ● PECAS INCLUIDAS ● ПРИЛАГАЕМЫЕ ЧАСТИ ● 附件 ● الأجزاء المشمولة

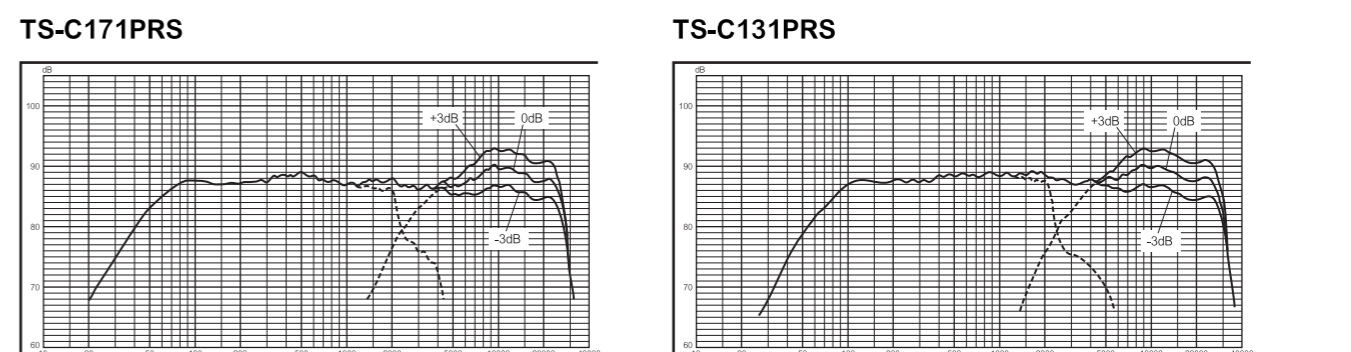
- ① $\phi 4 \text{ mm} \times 25 \text{ mm}$ × 8
- ② × 8
- ③ $\phi 4 \text{ mm} \times 20 \text{ mm}$ × 8 (TS-C171PRS)
- ④ $\phi 4 \text{ mm} \times 10 \text{ mm}$ × 8 (TS-C171PRS)
- ⑤ × 2 (TS-C171PRS)
- ⑥ $\phi 4 \text{ mm} \times 14 \text{ mm}$ × 4
- ⑦ M3 mm × 6 mm × 2
- ⑧ × 2
- ⑨ × 2
- ⑩ × 2
- ⑪ $\phi 4 \text{ mm} \times 25 \text{ mm}$ × 4



● CONNECTIONS ● VERBINDUNGEN ● CONNEXIONS ● CONNESSIONI ● CONEXIONES ● CONEXÕES ● ПОДКЛЮЧЕНИЕ ● 連接 ● التوصيلات

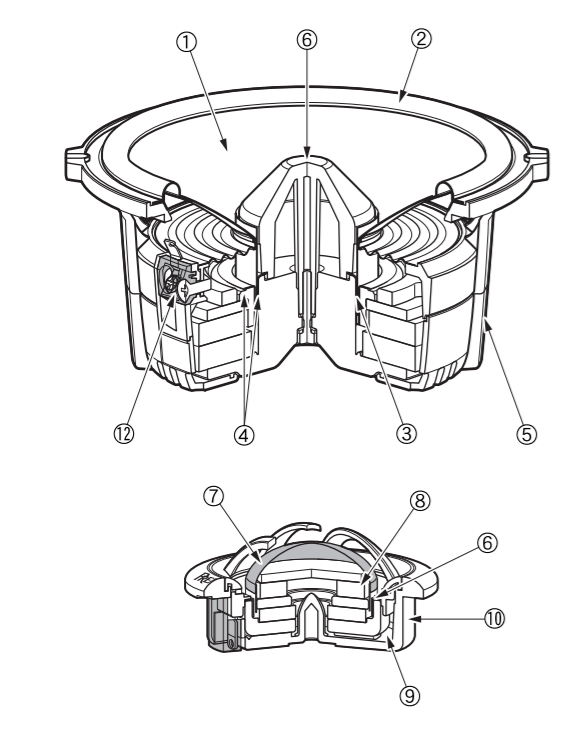


● CHARACTERISTICS ● MERKMALE ● CARACTERISTIQUES ● CARATTERISTICHE ● CARACTERÍSTICAS ● CARACTERÍSTICAS ● ХАРАКТЕРИСТИКИ ● 特性 ● الخصائص



● FEATURES ● MERKMALE ● CARACTÉRISTIQUES ● CARATTERISTICHE ● CARACTERÍSTICAS ● المميزات

1. 3-LAYER ARAMID FIBER WITH RIGILITE™ IMPPT™ COMPOSITE CONE
2. HIGH DENSITY MICRO FIBER SURROUND FOR SMOOTH RESPONSE
3. SHORT VOICE COIL AND WIDE MAGNETIC FIELD DESIGN FOR SYMMETRIC AND LINEAR CONE MOTION
4. DUAL OFC SHORT RING FOR REDUCED DISTORTION
5. BOTTOM HOLD DESIGN DIE-CAST RIGID CHASSIS
6. ALUMINUM DIE-CAST CENTER PLUG
7. 1-1/8" LIGHTWEIGHT SOFT DOME TWEETER
8. CANCEL MAGNET DESIGN FOR EXTREMELY HIGH DENSITY MANGETIC FIELD
9. REAR CHAMBER DESIGN FOR LOWER CROSSOVER FREQUENCY
10. ALUMINUM DIE-CAST TWEETER CHASSIS
11. AUDIOPHILE-GRADE OUTBOARD CROSSOVER NETWORK INCLUDED WITH -12 dB/OCT. LPF/HPF
12. GOLD PLATED SCREW-TYPE TERMINALS



Free Manuals Download Website

<http://myh66.com>

<http://usermanuals.us>

<http://www.somanuals.com>

<http://www.4manuals.cc>

<http://www.manual-lib.com>

<http://www.404manual.com>

<http://www.luxmanual.com>

<http://aubethermostatmanual.com>

Golf course search by state

<http://golfingnear.com>

Email search by domain

<http://emailbydomain.com>

Auto manuals search

<http://auto.somanuals.com>

TV manuals search

<http://tv.somanuals.com>