

Pioneer

DVD AV RECEIVER
AUTORADIO AV LECTEUR DE DVD
RADIO AV CON DVD

AVH-P5100DVD

English

Français

Español

Installation Manual
Manuel d'installation
Manual de instalación

Connecting the Units	1
Parts supplied	3
Connecting the power cord	5
When connecting to separately sold power amp	7
When connecting with a rear view camera	9
When connecting with a multi-channel processor	10
Connecting and installing the optical cable connection box	11
When connecting the external video component and the display	12
Installation	13
DIN Front/Rear-mount	13
DIN Front-mount	14
DIN Rear-mount	15
Fastening the front panel	16

WARNING

- To avoid the risk of accident and the potential violation of applicable laws, the front DVD or TV (sold separately) feature should never be used while the vehicle is being driven. Also, Rear Displays should not be in a location where it is a visible distraction to the driver.
- In some countries or states the viewing of images on a display inside a vehicle even by persons other than the driver may be illegal. Where such regulations apply, they must be obeyed and this unit's DVD features should not be used.

CAUTION

- **PIONEER does not recommend that you install or service your display yourself. Installing or servicing the product may expose you to risk of electric shock or other hazards. Refer all installation and servicing of your display to authorized Pioneer service personnel.**
- **Secure all wiring with cable clamps or electrical tape. Do not allow any bare wiring to remain exposed.**
- **Do not drill a hole into the engine compartment to connect the yellow lead of the unit to the vehicle battery. Engine vibration may eventually cause the insulation to fail at the point where the wire passes from the passenger compartment into the engine compartment. Take extra care in securing the wire at this point.**
- **It is extremely dangerous to allow the display lead to become wound around the steering column or gearshift. Be sure to install the display in such a way that it will not obstruct driving.**
- **Make sure that wires will not interfere with moving parts of the vehicle, such as the gearshift, parking brake or seat sliding mechanism.**
- **Do not shorten any leads. If you do, the protection circuit may fail to work properly.**

WARNING

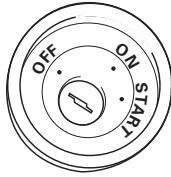
LIGHT GREEN LEAD AT POWER CONNECTOR IS DESIGNED TO DETECT PARKED STATUS AND MUST BE CONNECTED TO THE POWER SUPPLY SIDE OF THE PARKING BRAKE SWITCH. IMPROPER CONNECTION OR USE OF THIS LEAD MAY VIOLATE APPLICABLE LAW AND MAY RESULT IN SERIOUS INJURY OR DAMAGE.

Note:

- **This unit cannot be installed in a vehicle without ACC (accessory) position on the ignition switch.**



ACC position



No ACC position

- Use this unit in other than the following conditions could result in fire or malfunction.
 - Vehicles with a 12-volt battery and negative grounding.
 - Speakers with 50 W (output value) and 4 ohm to 8 ohm (impedance value).
- To prevent short-circuit, overheating or malfunction, be sure to follow the directions below.
 - Disconnect the negative terminal of the battery before installation.
 - Secure the wiring with cable clamps or adhesive tape. To protect the wiring, wrap adhesive tape around them where they lie against metal parts.
 - Place all cables away from moving parts, such as gear shift and seat rails.
 - Place all cables away from hot places, such as near the heater outlet.
 - Do not pass the yellow cable through a hole into the engine compartment to connect to a battery.
 - Cover any disconnected cable connectors with insulating tape.
 - Do not remove RCA caps if RCA cables are not used.
 - Do not shorten any cables.
 - Never cut the insulation of the power cable of this unit in order to share the power to other equipment. Current capacity of the cable is limited.
 - Use a fuse of the rating prescribed.
 - Never wire the speaker negative cable directly to ground.
 - Never band together multiple speaker's negative cables.
- Control signal is output through blue/white cable when this unit is powered on. Connect it to an external power amp's system remote control or the vehicle's auto-antenna relay control terminal (max. 300 mA, 12 V DC). If the vehicle is equipped with a glass antenna, connect it to the antenna booster power supply terminal.
- Never connect blue/white cable to external power amp's power terminal. Also, never connect it to the power terminal of the auto antenna. Otherwise, battery drain or malfunction may result.
- IP-BUS connectors are color-coded. Be sure to connect connectors of the same color.
- Black cable is ground. This cable and other product's ground cable (especially, high-current products such as power amp) must be wired separately. Otherwise, fire or malfunction may result if they are accidentally detached.

Connecting the Units

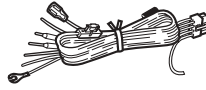
Parts supplied



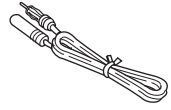
This product



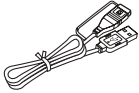
Tuner box



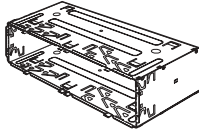
Power cord



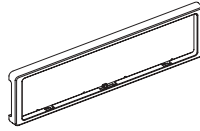
Antenna cable



USB cable



Mounting sleeve
(pre-installed)



Trim ring
(pre-installed)



Side bracket (small)
(2 pcs.) (pre-installed)



Screw (2 mm × 3 mm)
(4 pcs.) (pre-installed)



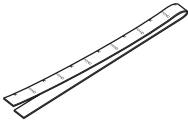
Flush surface screw
(5 mm × 6 mm) (6 pcs.)
(2 are pre-installed.)



Binding screw
(5 mm × 6 mm)
(4 pcs.)



Binding screw
(4 mm × 3 mm)
(4 pcs.)



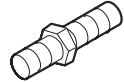
Concealing tape



Side bracket (large)
(2 pcs.)



Rubber bush



Double-ended screw



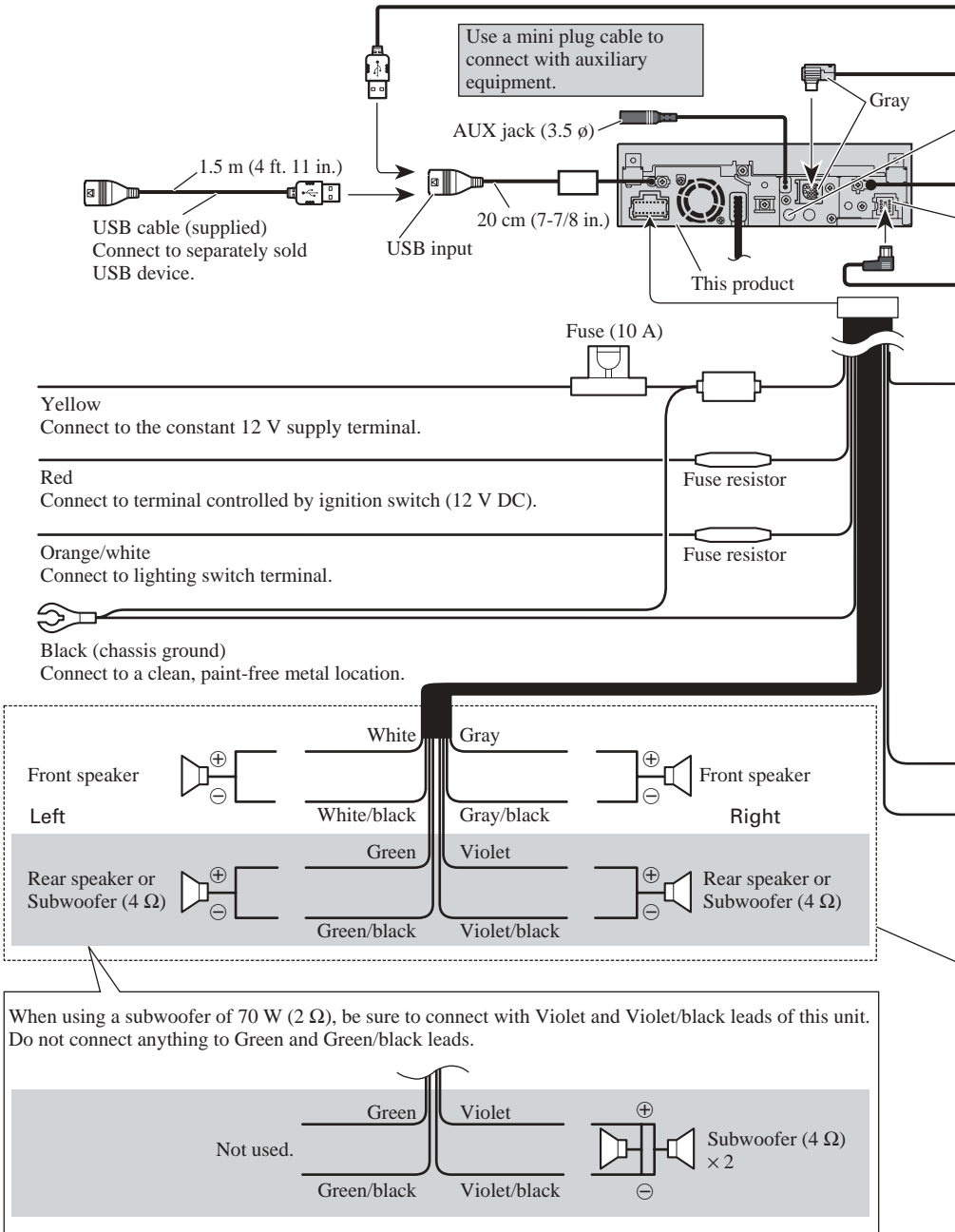
Touch panel pen

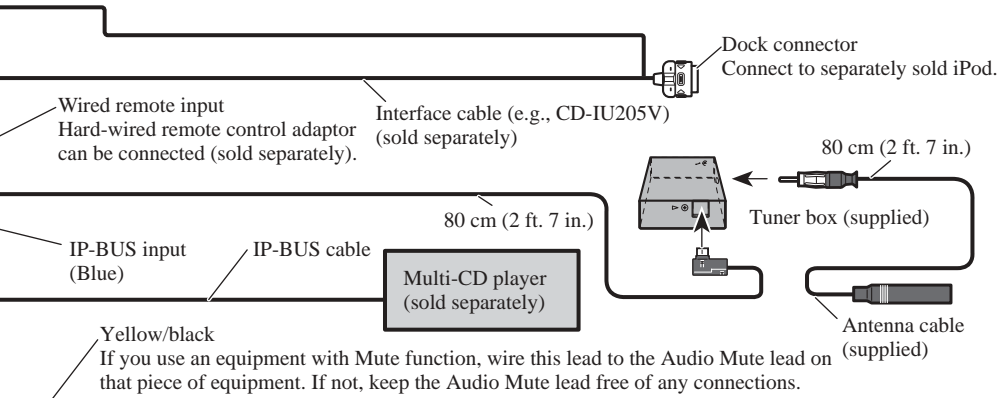


Screw (2 mm × 7 mm)
(2 pcs.)

Connecting the Units

Connecting the power cord

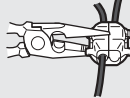




Connection method



1. Clamp the lead.



2. Clamp firmly with needle-nosed pliers.

Note:

- The position of the parking brake switch depends on the vehicle model. For details, consult the vehicle Owner's Manual or dealer.

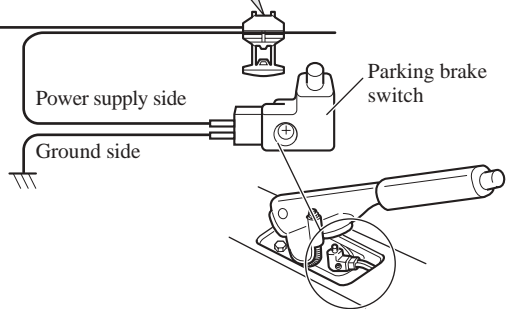
Light green

Used to detect the ON/OFF status of the parking brake. This lead must be connected to the power supply side of the parking brake switch.

Blue/white

Connect to system control terminal of the power amp or auto-antenna relay control terminal (max. 300 mA 12 V DC).

With a 2 speaker system, do not connect anything to the speaker leads that are not connected to speakers.



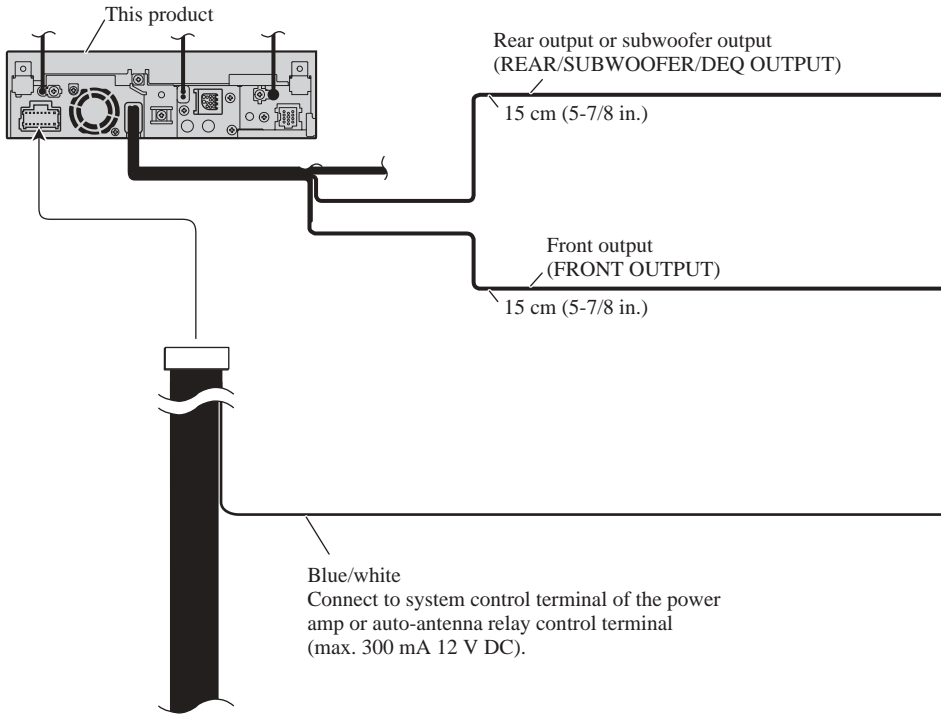
When you connect the separately sold multi-channel processor (e.g., DEQ-P8000) to this unit, do not connect anything to the speaker leads and system remote control (blue/white).

Note:

- Change the initial setting of this unit (refer to the Operation Manual). The subwoofer output of this unit is monaural.

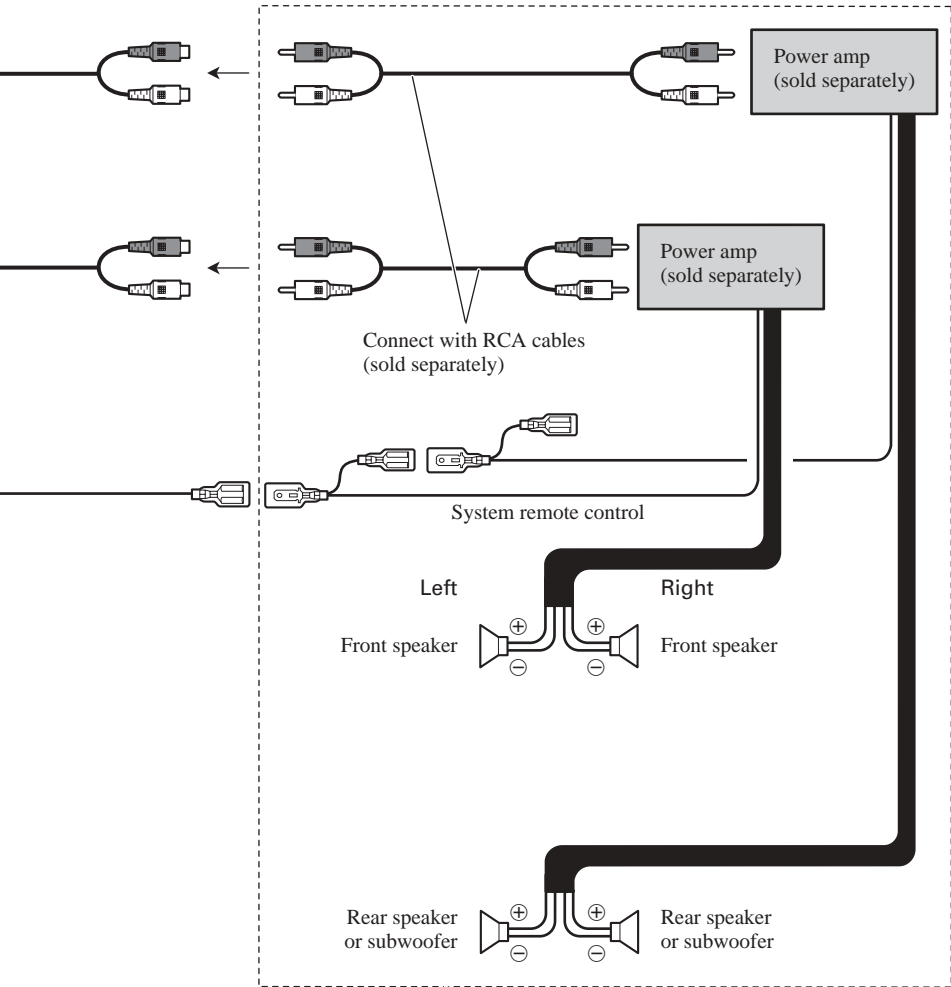
Connecting the Units

When connecting to separately sold power amp



When you connect the separately sold multi-channel processor (e.g., DEQ-P8000) to this unit, do not connect anything to the speaker leads and system remote control (blue/white).

When you connect the multi-channel processor to this unit, refer to multi-channel processor's installation manual for the connection method.



Perform these connections when using the optional amplifier.

Note:

- Change the initial setting of this unit (refer to the Operation Manual). The subwoofer output of this unit is monaural.

When connecting with a rear view camera

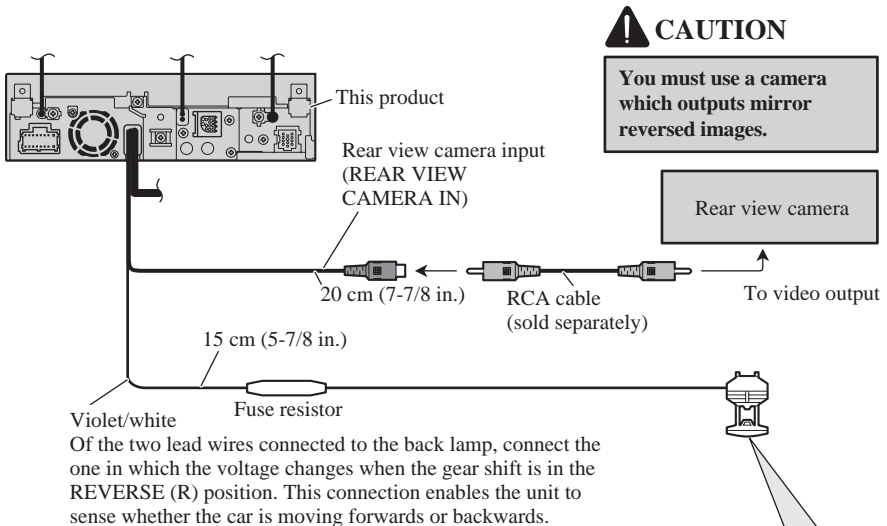
When this product is used with a rear view camera, it is possible to automatically switch from the video to rear view image when the gear shift is moved to **REVERSE (R)**.

⚠ WARNING

USE INPUT ONLY FOR REVERSE OR MIRROR IMAGE REAR VIEW CAMERA. OTHER USE MAY RESULT IN INJURY OR DAMAGE.

⚠ CAUTION

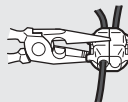
- The screen image may appear reversed.
- The rear view camera function is to be used as an aid for backing into a tight parking spot. Do not use this function for entertainment purposes.
- Objects in the rear view may appear closer or more distant than they actually are.



Connection method



1. Clamp the lead.

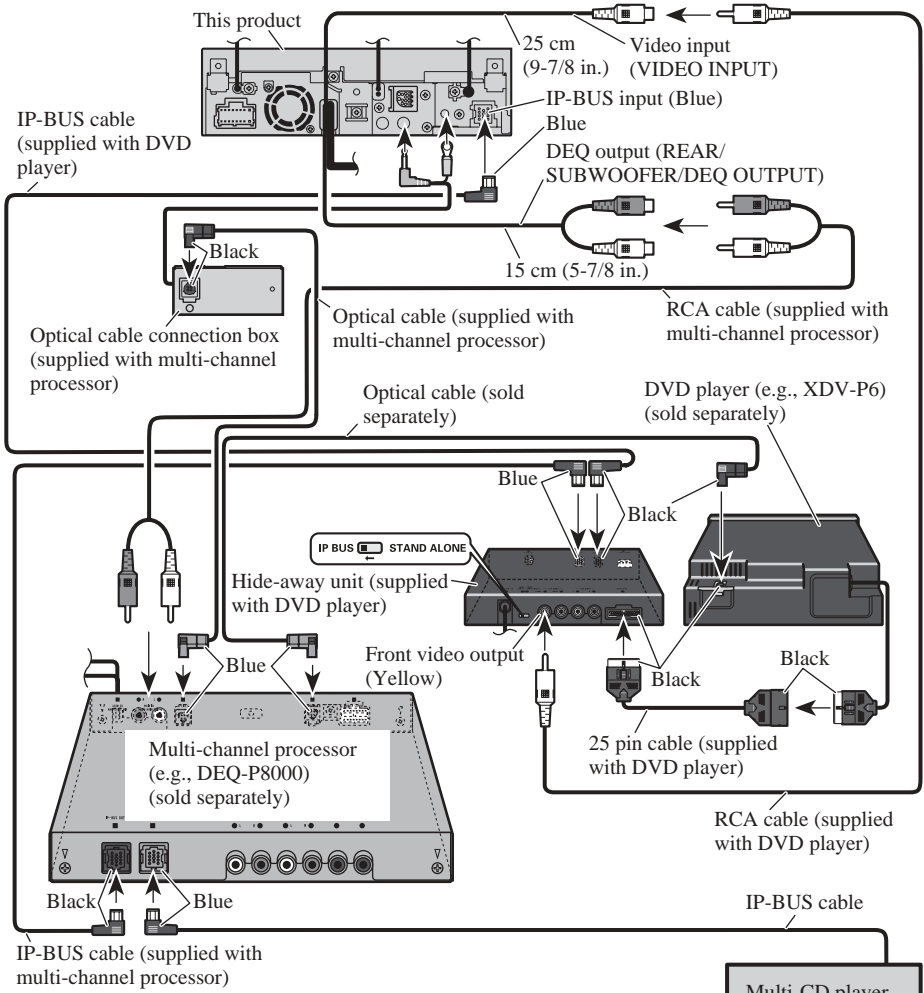


2. Clamp firmly with needle-nosed pliers.

Note:

- It is necessary to set **CAMERA POLARITY** properly in **SYSTEM MENU** when connecting the rear view camera.

When connecting with a multi-channel processor



When you connect a separately sold DVD player to the separately sold multi-channel processor, the optical cable from DVD player must be connected to the optical cable 2 input (OPT. IN2) of the multi-channel processor.

You can use only one video component with this unit.

Connecting and installing the optical cable connection box

⚠ WARNING

- Avoid installing this unit in locations where the operation of safety devices such as airbags is prevented by this unit. Otherwise, there is a danger of a fatal accident.
- Avoid installing this unit in locations where the operation of the brake may be prevented. Otherwise, it may result in a traffic accident.
- Fix this unit securely with the hook and loop fastener or lock tie. If this unit is loose, it disturbs driving stability, which may result in a traffic accident.

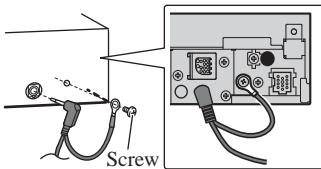
⚠ CAUTION

- Install this unit using only the parts supplied with this unit. If other parts are used, this unit may be damaged or could dismount itself, which leads to an accident or other problems.
- Do not install this unit near the doors where rainwater is likely to be spilled on the unit. IncurSION of water into the unit may cause smoke or fire.

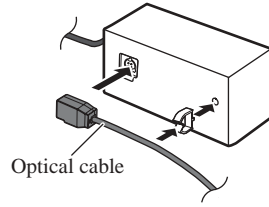
Connecting the optical cable

1. Connect the optical cable and ground lead to the main unit.

Connect the optical cable so that it does not protrude from the unit, as shown in the illustration. Fasten the ground lead to the protrusion on the back of the unit.



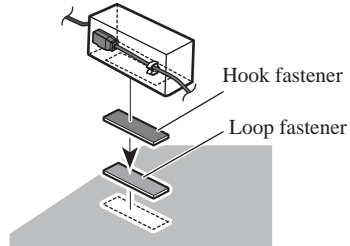
2. Connect the optical cable to the optical cable connection box.



Installing the optical cable connection box

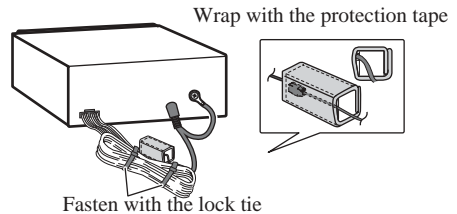
- **When installing the optical cable connection box with the hook and loop fastener.**

Install the optical cable connection box using the hook and loop fastener in the ample space of the console box.

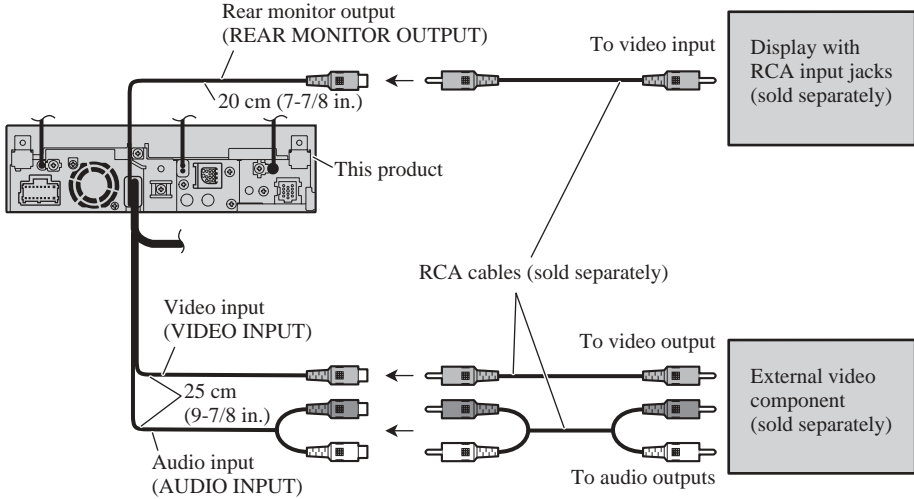


- **When installing the optical cable connection box with the lock tie.**

Wrap the optical cable and connection box with the protection tape and fasten with the power code using the lock tie.



When connecting the external video component and the display



- It is necessary to set **AV INPUT** to **VIDEO** in **SYSTEM MENU** when connecting the external video component.
- It is necessary to set **AV INPUT** to **S-DVD** in **SYSTEM MENU** when connecting a multi-DVD player.

When using a display connected to rear video output

This product's rear video output is for connection of a display to enable passengers in the rear seats to watch the DVD or Video CD.



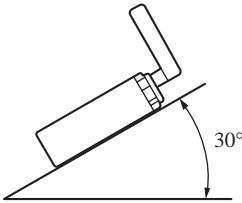
WARNING

- NEVER install the display in a location that enables the Driver to watch the DVD or Video CD while driving.

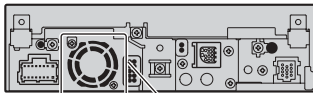
Installation

Note:

- Check all connections and systems before final installation.
- Do not use unauthorized parts. The use of unauthorized parts may cause malfunctions.
- Consult with your dealer if installation requires drilling of holes or other modifications of the vehicle.
- Do not install this unit where:
 - it may interfere with operation of the vehicle.
 - it may cause injury to a passenger as a result of a sudden stop.
- Do not install the display where it may (i) obstruct the driver's vision, (ii) impair the performance of any of the vehicle's operating systems or safety features, including air bags, hazard lamp buttons or (iii) impair the driver's ability to safely operate the vehicle.
- The semiconductor laser will be damaged if it overheats. Install this unit away from hot places such as near the heater outlet.
- Optimum performance is obtained when the unit is installed at an angle of less than 30°.

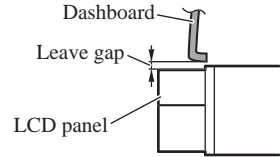


- The cords must not cover up the area shown in the figure below. This is necessary to allow the amplifiers to radiate freely.



Do not cover this area.

- Make sure you leave enough gap between the dashboard and the LCD panel of this unit so the LCD panel can be opened and closed without contacting with the dashboard.



DIN Front/Rear-mount

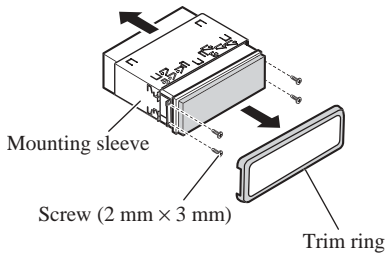
This unit can be properly installed either from "Front" (conventional DIN Front-mount) or "Rear" (DIN Rear-mount installation, utilizing threaded screw holes at the sides of unit chassis). For details, refer to the following illustrated installation methods.

Before installing the unit

- Remove the trim ring and the mounting sleeve.

Extend top and bottom of the trim ring outwards to remove the trim ring. And then loosen the screws ($2\text{ mm} \times 3\text{ mm}$) to remove the mounting sleeve.

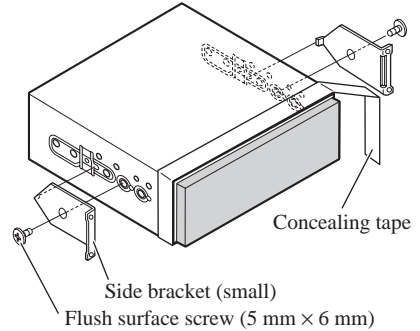
- When reattaching the trim ring, push the trim ring onto the unit until it clicks after reattaching the mounting sleeve. (If the trim ring is attached upside down, the trim ring will not fit properly.)



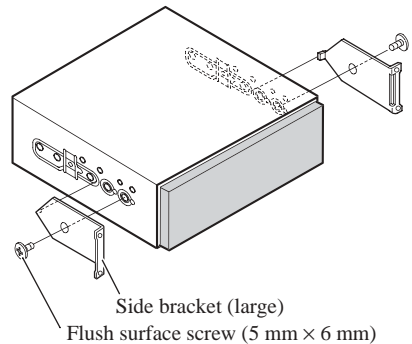
DIN Front-mount

1. Decide the position of the side brackets.

- When installing in a shallow space, change the position of side brackets (small). In this case, stick concealing tape on parts that protrude from the dashboard.

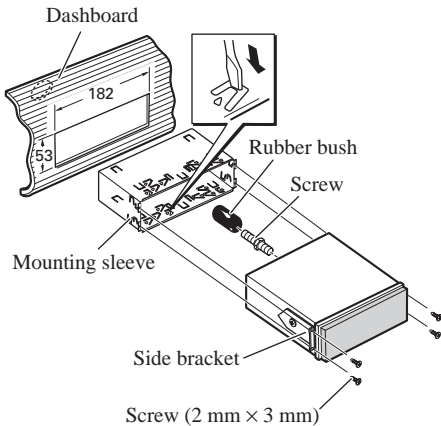


- If you prefer an off-set installation in which the front panel is pushed further back, when there is a space available at the back of the unit, use the side brackets (large).



2. Install the unit into the dashboard.

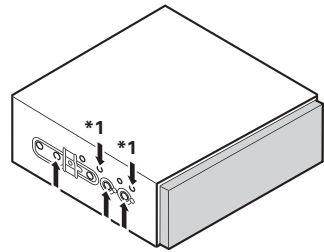
Insert the mounting sleeve into the dashboard. And then secure the mounting sleeve by using a screwdriver to bend the metal tabs (90°) into place.



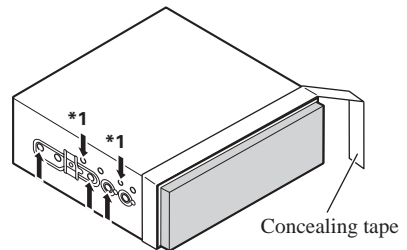
DIN Rear-mount

1. Determine the appropriate position where the holes on the bracket and the side of the unit match.

*1 Use binding screws (4 mm × 3 mm) only.

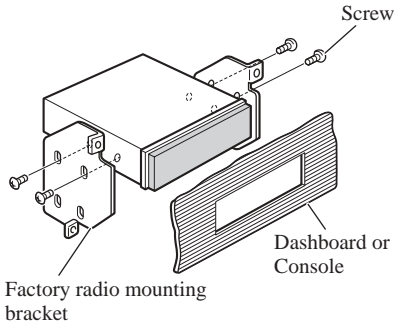


- When installing in a shallow space, use the following screw holes. In this case, stick concealing tape on parts that protrude from the dashboard.



2. Tighten two screws on each side.

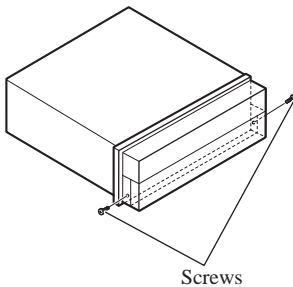
Use any of binding screws (4 mm × 3 mm), binding screws (5 mm × 6 mm) or flush surface screws (5 mm × 6 mm), depending on the shape of screw holes in the bracket.



Fastening the front panel

If you do not plan to detach the front panel, the front panel can be fastened with supplied screws.

- **Fix the front panel to the unit using screws and holder after removing the trim ring.**



Raccordements des appareils 1

Pièces fournies	3
Branchement du cordon d'alimentation	5
Raccordements à un amplificateur de puissance vendu séparément	7
Raccordements à une caméra de recul	9
Lors du raccordement d'un processeur multi-canaux	10
Raccordement et installation de la boîte de raccordement de câble à fibres optiques ..	11
Raccordements à un appareil vidéo externe et à un écran	12

Installation 13

Montage DIN avant/arrière	13
Montage DIN avant	14
Montage DIN arrière	15
Fixation du panneau avant	16

AVERTISSEMENT

- Pour éviter tout risque d'accident, et toute infraction aux lois en vigueur, l'affichage à l'avant d'image de DVD ou de télévision (vendue séparément) ne doit jamais être employé tandis que le véhicule roule. Par ailleurs, les écrans arrière ne doivent jamais se trouver placés de manière à distraire l'attention du conducteur.
- Dans certains états ou pays il peut être illégal même pour des personnes autres que le conducteur de regarder des images sur un écran à l'intérieur d'un véhicule. Quand cette réglementation est applicable, elle doit être respectée, et les fonctions DVD de cet appareil ne doivent pas être utilisées.

ATTENTION

- **PIONEER ne vous recommande pas d'installer ou d'entretenir vous-même cet écran, car ces travaux peuvent présenter un risque d'électrocution ou d'autres dangers. Confiez tous les travaux d'installation et d'entretien de votre écran au personnel de service Pioneer agréé.**
- **Immobilisez toutes les câblages avec des serre-fils ou du ruban isolant. Ne laissez aucun conducteur à nu.**
- **Ne forez pas un orifice vers le compartiment du moteur afin de raccorder le fil jaune de l'appareil sur la batterie du véhicule car les vibrations du moteur pourraient à la longue abîmer l'isolation du fil au point de passage entre l'habitacle et le compartiment du moteur. Veillez tout particulièrement à bien immobiliser le fil à ce point.**
- **Une situation très dangereuse pourrait se présenter si le fil de l'écran devait s'enrouler autour de la colonne de direction ou du levier des vitesses. Veillez à installer l'écran de telle sorte que rien ne fasse obstacle à la conduite.**
- **Assurez-vous que les câblages ne font pas obstacle aux pièces mobiles du véhicule, telles que le levier des vitesses, le frein à main ou le mécanisme de coulissement des sièges.**
- **Ne court-circuitez pas les fils car le circuit de protection ne fonctionnerait plus correctement.**

AVERTISSEMENT

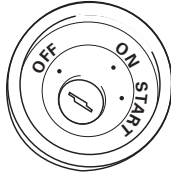
LE FIL VERT CLAIR SUR LE CONNECTEUR D'ALIMENTATION A POUR BUT DE DETECTER L'ETAT DE STATIONNEMENT DU VEHICULE ET DOIT ETRE CONNECTE AU COTE ALIMENTATION DU COMMUTATEUR DU FREIN A MAIN. UNE CONNEXION OU UNE UTILISATION INCORRECTE DE CE FIL PEUT VIOLER LA LOI APPLICABLE ET PEUT ENTRAÎNER DES BLESSURES GRAVES OU DES DOMMAGES SÉRIEUX.

Remarque:

- **Cet appareil ne peut pas être installé dans un véhicule dont le contacteur d'allumage ne possède pas de position ACC (accessoire).**



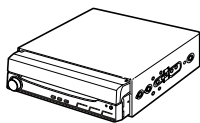
Position ACC



Pas de position ACC

- Utiliser cet appareil dans d'autres conditions que les conditions suivantes peut entraîner un incendie ou un mauvais fonctionnement.
 - Véhicule avec une batterie de 12 volts et une mise à la masse négative.
 - Enceintes de 50 W (valeur de sortie) et de 4 ohms à 8 ohms (valeur d'impédance).
- Pour éviter tout court-circuit, surchauffe ou mauvais fonctionnement, assurez-vous de suivre les instructions ci-dessous.
 - Déconnectez la borne négative de la batterie avant l'installation.
 - Fixez solidement les câbles avec des serre-câbles ou du ruban adhésif. Pour protéger le câblage, entourez-le de ruban adhésif à l'endroit où il est en contact avec des pièces métalliques.
 - Tenez tous les câbles à l'écart des parties mobiles, telles que le levier de vitesse et les rails des sièges.
 - Tenez tous les câbles à l'écart des endroits chauds, tels que les sorties du chauffage.
 - Ne faites pas passer le câble jaune par un trou dans le compartiment du moteur pour le connecter à la batterie.
 - Recouvrez tous les câbles non connectés avec du ruban isolant.
 - Ne retirez pas les capuchons des prises Cinch (RCA) si vous ne les utilisez pas.
 - Ne raccourcissez aucun câble.
 - Ne coupez jamais l'isolant du câble d'alimentation de cet appareil afin partager l'alimentation avec un autre appareil. La capacité électrique du câble est limitée.
 - Utilisez un fusible de la valeur donnée.
 - Ne connectez jamais le câble négatif des enceintes directement à la masse.
 - N'attachez jamais ensemble plusieurs câbles négatifs de plusieurs enceintes.
- Le signal de commande est sorti par le câble bleu/blanc quand cet appareil est sous tension. Connectez-le à la télécommande d'un système d'amplification extérieur ou à la prise de commande du contrôle de relais de l'antenne automatique (max. 300 mA, 12 V CC). Si le véhicule est équipée d'une antenne de vitre, connectez-la à la prise d'alimentation de l'amplificateur d'antenne.
- Ne connectez jamais le câble bleu/blanc à la prise d'alimentation d'un amplificateur extérieur. Et ne le connectez pas à la prise d'alimentation de l'antenne automatique. Sinon, la batterie risque de se décharger ou un mauvais fonctionnement peut se produire.
- Les connecteurs IP-BUS sont codés par couleur. Assurez-vous de connecter les connecteurs de même couleur.
- Le câble noir est pour la masse. Ce câble et les câbles de masse des autres produits (en particulier les appareils à haute intensité tels que les amplificateurs) doivent être câblés séparément. Sinon, ils peuvent entraîner un incendie ou un mauvais fonctionnement s'ils se détachent.

Pièces fournies



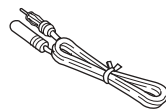
Ce produit



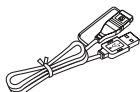
Tuner



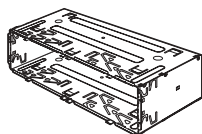
Cordon d'alimentation



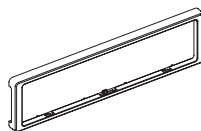
Câble d'antenne



Câble USB



Manchon de montage
(préinstallé)



Plaque de garniture
(préinstallé)



Support latéral (petit)
(2 pcs.) (préinstallé)



Vis (2 mm x 3 mm)
(4 pcs.) (préinstallé)



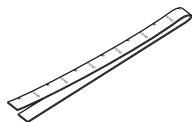
Vis à tête plate
(5 mm x 6 mm) (6 pcs.)
(2 sont préinstallées.)



Vis de pression
(5 mm x 6 mm)
(4 pcs.)



Vis de pression
(4 mm x 3 mm)
(4 pcs.)



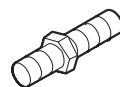
Ruban adhésif de
masquage



Support latéral (grand)
(2 pcs.)



Bague de caoutchouc



Vis à deux têtes

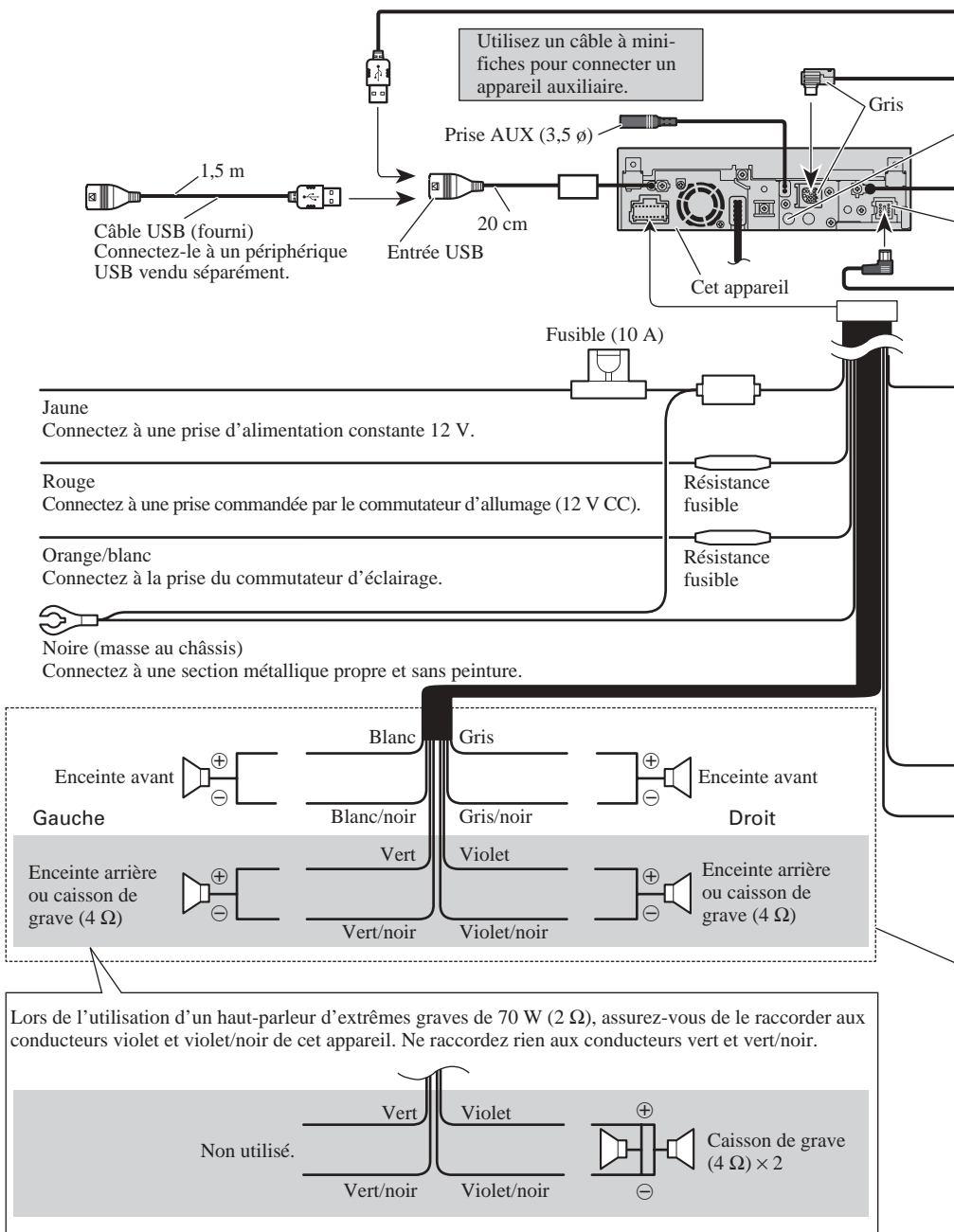


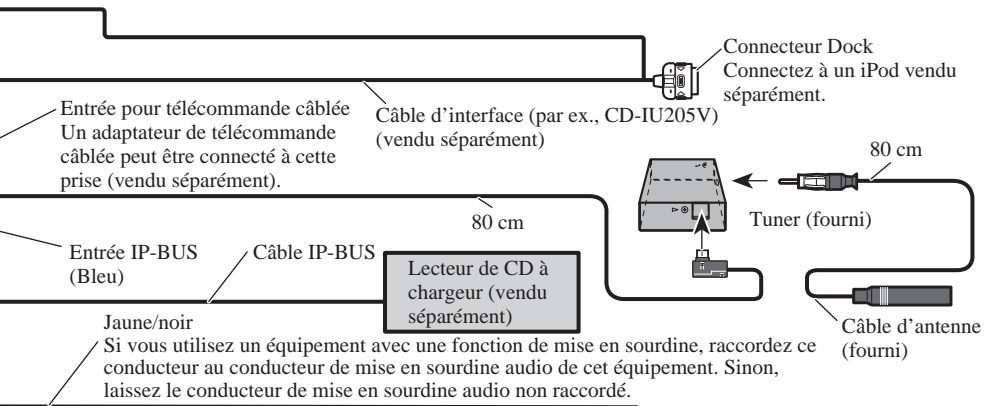
Styilet pour écran
tactile



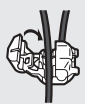
Vis (2 mm x 7 mm)
(2 pcs.)

Branchement du cordon d'alimentation

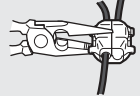




Méthode de connexion



1. Serrez le conducteur.



2. Serrez fermement avec une pince à mâchoires pointues.

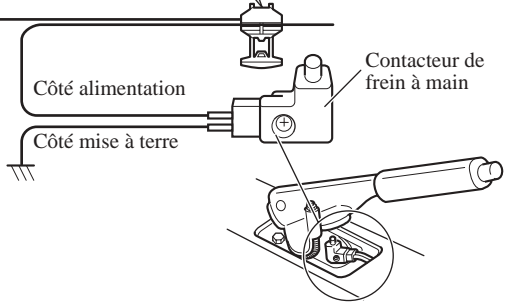
Remarque:

- La position du contacteur de frein à main dépend du modèle de véhicule. Pour les détails, consultez le manuel de l'utilisateur du véhicule ou un concessionnaire.

Vert clair
Utilisé pour détecter l'état ON/OFF du frein à main.
Ce conducteur doit être raccordé sur l'alimentation du contacteur de frein à main.

Bleu/blanc
Connectez à la prise de commande du système de l'amplificateur de puissance ou à la prise du contrôle de relais de l'antenne automatique (max. 300 mA, 12 V CC).

Avec un système à 2 enceintes, ne connectez rien aux câbles d'enceinte qui ne sont pas connectés aux enceintes.

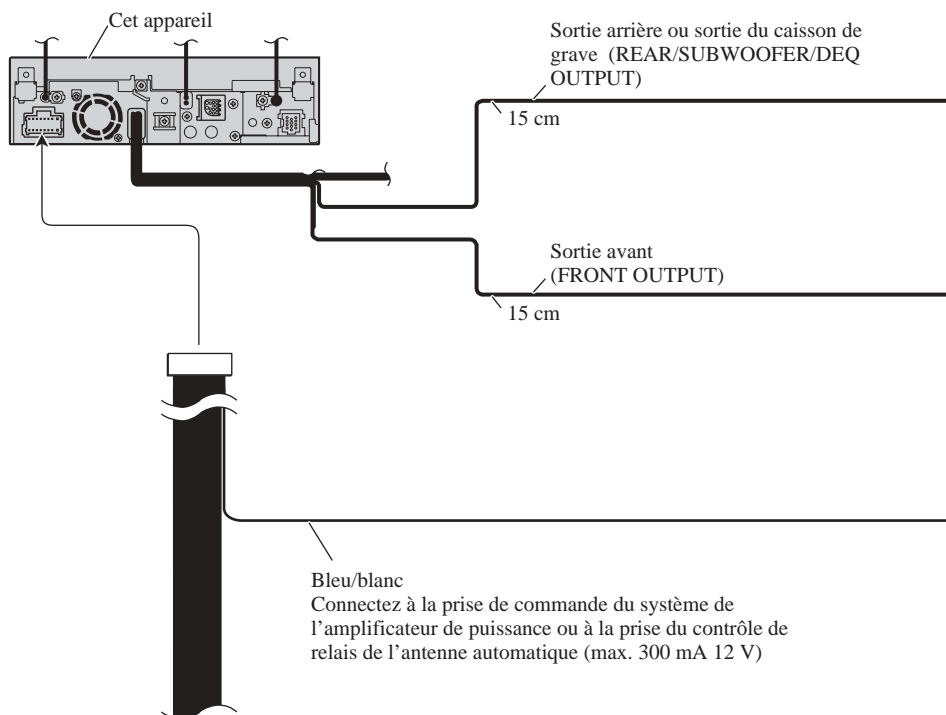


Lorsque vous raccordez le processeur multi-canaux (par ex., DEQ-P8000) à cet appareil, ne raccordez rien aux fils de haut-parleur ni à la télécommande (bleu/blanc).

Remarque:

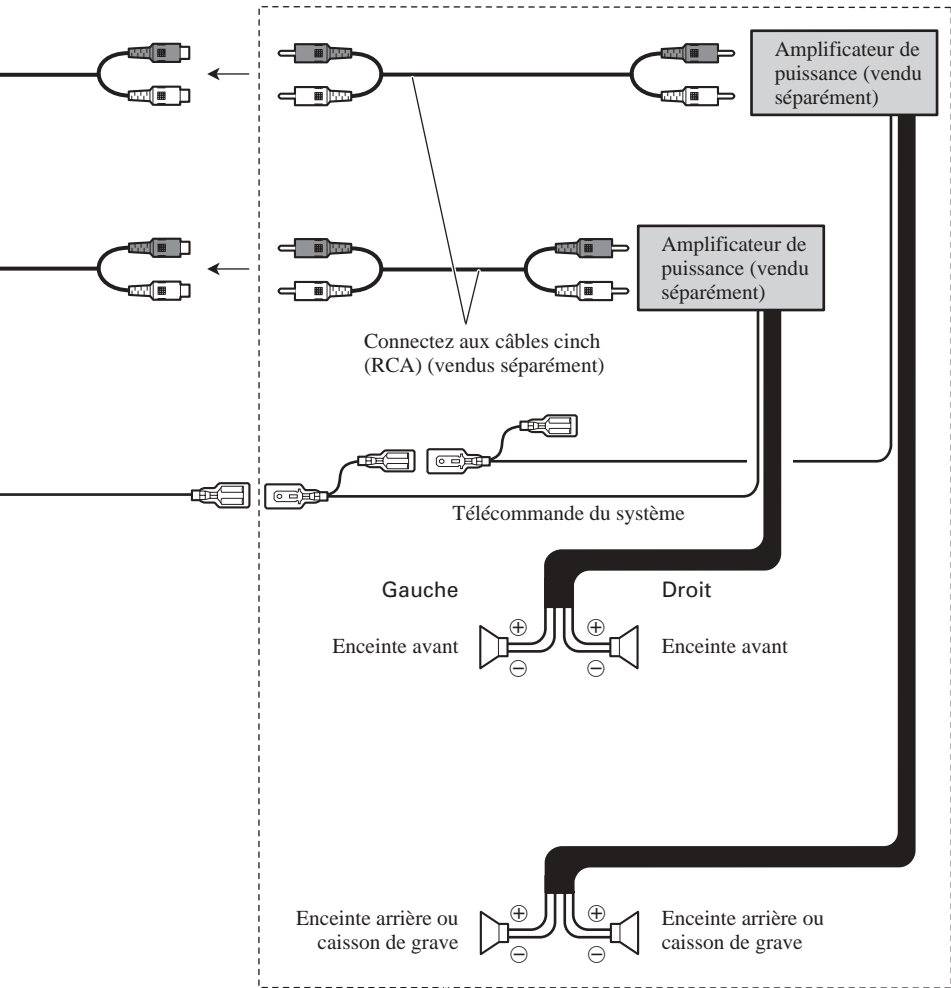
- Change le réglage initial de cet appareil (reportez-vous aux mode d'emploi). La sortie de caisson de grave de cet appareil est monophonique.

Raccordements à un amplificateur de puissance vendu séparément



Lorsque vous raccordez le processeur multi-canaux (par ex., DEQ-P8000) à cet appareil, ne raccordez rien aux fils de haut-parleur ni à la télécommande (bleu/blanc).

Si vous reliez un processeur multi-canaux à cet appareil, reportez-vous au manuel d'installation du processeur multi-canaux pour la méthode de connexion.



Réalisez ces connexions lors de l'utilisation de l'amplificateur en option.

Remarque:

- Change le réglage initial de cet appareil (reportez-vous aux mode d'emploi). La sortie de caisson de grave de cet appareil est monophonique.

Raccordements à une caméra de recul

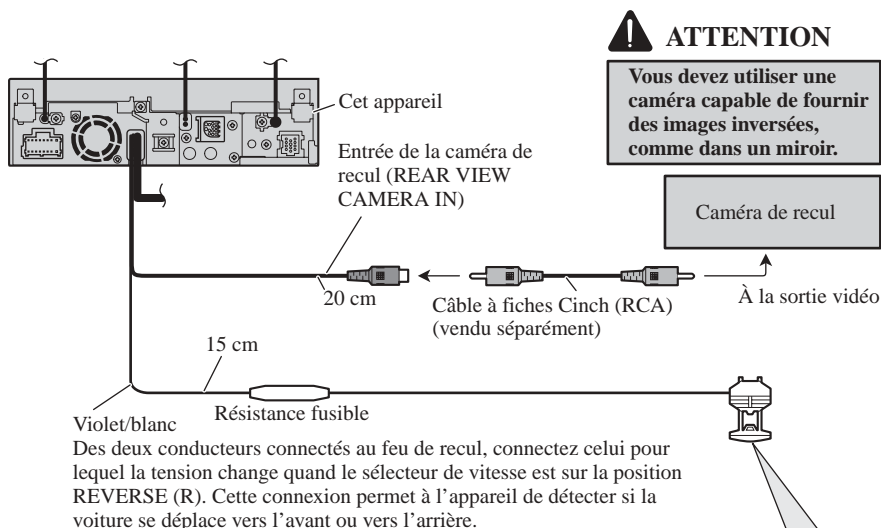
Quand cet appareil est utilisé avec une caméra de recul, il est possible de commuter automatiquement sur l'image de la caméra de recul quand le sélecteur de vitesse est placé sur **REVERSE (R)**.

⚠ AVERTISSEMENT

UTILISEZ CETTE ENTRÉE UNIQUEMENT POUR UNE CAMÉRA FOURNISSANT UNE IMAGE INVERSÉE, COMME DANS UN MIROIR. TOUTE AUTRE UTILISATION POURRAIT ENTRAÎNER DES BLESSURES OU DES DOMMAGES.

⚠ ATTENTION

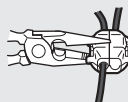
- L'image dans le miroir peut être inversée.
- La fonction de caméra de recul doit être utilisée comme une aide pour reculer dans un endroit exigü. N'utilisez pas cette fonction à des fins de divertissement.
- Les objets sur l'image de la caméra de recul peuvent apparaître plus proche ou plus loin qu'en réalité.



Méthode de connexion



1. Serrez le conducteur.

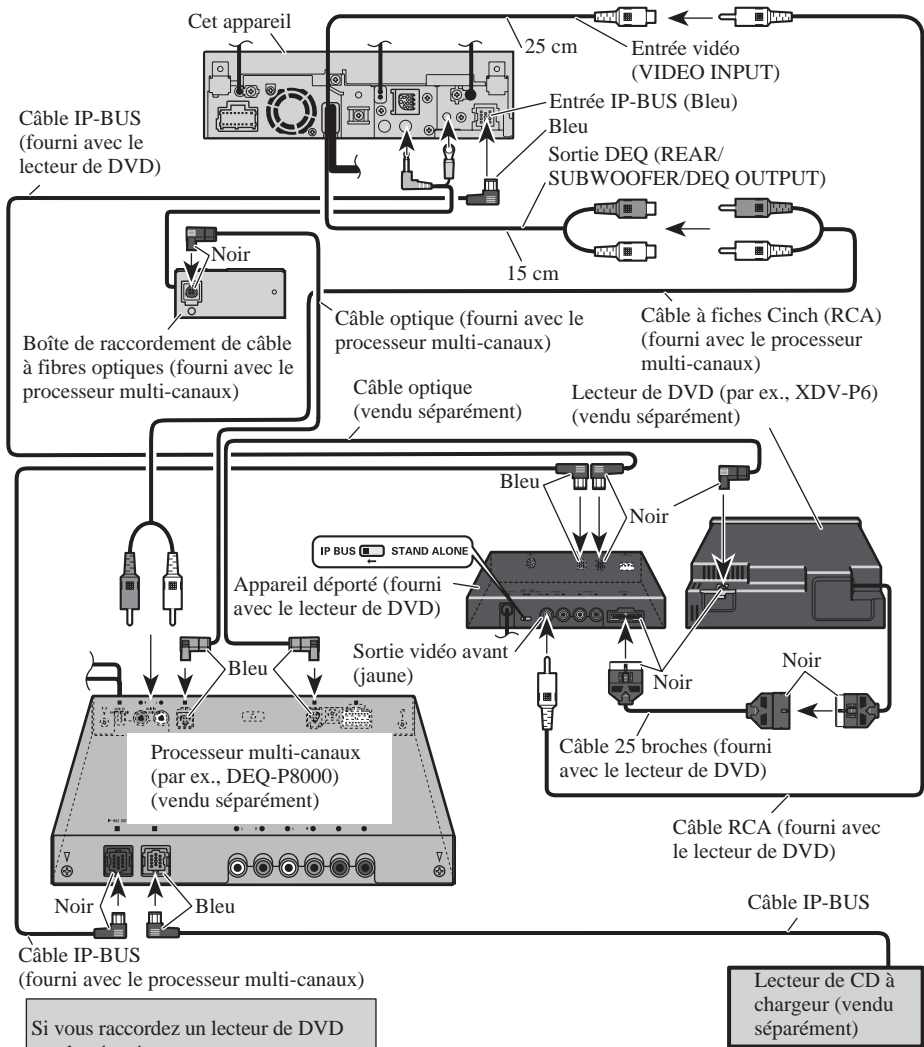


2. Serrez fermement avec une pince à mâchoires pointues.

Remarque:

- Lorsque vous connectez la caméra de recul, vous devez régler correctement l'option **CAMERA POLARITY** dans le menu **SYSTEM MENU**.

Lors du raccordement d'un processeur multi-canaux



Câble IP-BUS (fourni avec le processeur multi-canaux)

Si vous raccordez un lecteur de DVD vendu séparément au processeur multicanal vendu séparément, le câble optique du lecteur de DVD doit être raccordé à l'entrée optique 2 (OPT. IN2) du processeur multicanal.

Vous ne pouvez utiliser qu'un appareil vidéo avec cet appareil.

Raccordement et installation de la boîte de raccordement de câble à fibres optiques

⚠ AVERTISSEMENT

- Évitez d'installer cet appareil dans un endroit où il pourrait gêner le bon fonctionnement des dispositifs de sécurité comme les coussins de sécurité gonflables. Sinon, il y a un risque d'accident mortel.
- Évitez d'installer cet appareil dans un endroit où il pourrait gêner le fonctionnement du frein. Dans ce cas, en effet, il y a un risque d'accident de la circulation.
- Fixez soigneusement l'appareil au moyen de la bande autoagrippante ou des attaches. Si l'appareil venait à se libérer, la conduite du véhicule pourrait être perturbée et il y en résulterait un risque d'accident de la circulation.

⚠ ATTENTION

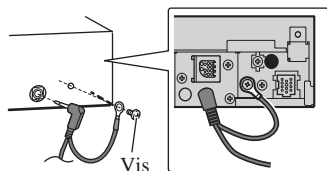
- Installez cet appareil en utilisant uniquement les pièces qui l'accompagnent. Si vous utilisez d'autres pièces, cet appareil peut être endommagé ou se détacher et entraîner un accident ou d'autres problèmes.
- N'installez pas l'appareil près d'une portière, exposé à la pluie. Toute entrée d'eau dans l'appareil peut se traduire par un incendie.

Raccordement du câble à fibres optiques

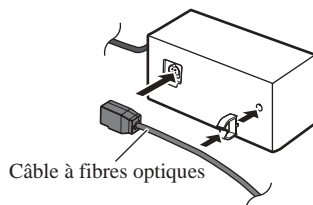
1. Reliez le câble à fibres optiques et le conducteur de masse à l'appareil.

Reliez le câble à fibres optiques de telle manière qu'il ne fasse pas saillie, comme le montre l'illustration.

Assurez le maintien du conducteur de masse à la borne qui est placée à l'arrière de l'appareil.



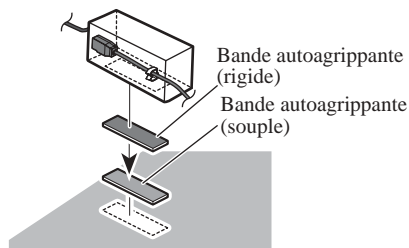
2. Reliez le câble à fibres optiques à la boîte de raccordement de câble à fibres optiques.



Installation de la boîte de raccordement de câble à fibres optiques

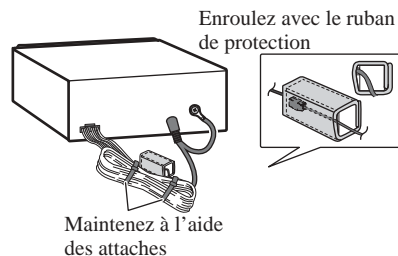
• Pour installer la boîte de raccordement de câble à fibres optiques au moyen de la bande autoagrippante.

Installez la boîte de raccordement de câble à fibres optiques au moyen de la bande autoagrippante dans l'espace disponible de la console.

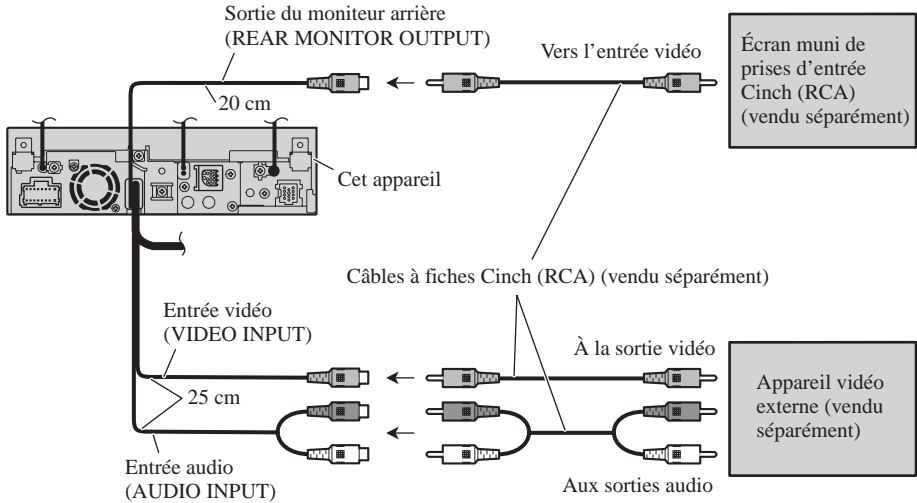


• Pour installer la boîte de raccordement de câble à fibres optiques au moyen des attaches.

Enroulez le câble à fibres optiques et la boîte de raccordement avec le ruban de protection et assurez le maintien du cordon d'alimentation à l'aide des attaches.



Raccordements à un appareil vidéo externe et à un écran



- Lorsque vous connectez l'appareil vidéo externe, vous devez régler l'option **AV INPUT** sur **VIDEO** dans le menu **SYSTEM MENU**.
- Lorsque vous connectez un lecteur multi-DVD, vous devez régler l'option **AV INPUT** sur **S-DVD** dans le menu **SYSTEM MENU**.

Lors de l'utilisation d'un écran raccordé à la sortie vidéo arrière

La sortie vidéo arrière de cet appareil est destinée à un écran placé de telle sorte que les passagers arrière puissent regarder les images fournies par un DVD ou un Video CD.

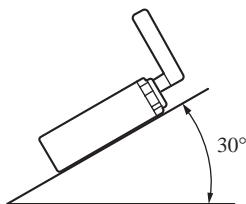


AVERTISSEMENT

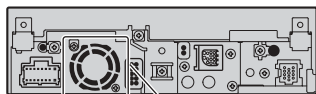
- Veillez à ce que l'écran **NE SOIT PAS** installé en un endroit tel que le conducteur puisse observer les images fournies par le DVD ou le Video CD tout en conduisant.

Remarque:

- Vérifiez toutes les connexions et tous les systèmes avant l'installation finale.
- N'utilisez aucune pièce non autorisée. L'utilisation de pièces non autorisées peut causer un mauvais fonctionnement.
- Consultez votre revendeur si l'installation nécessite que vous perciez des trous ou effectuez d'autres modifications du véhicule.
- N'installez pas l'appareil dans un endroit où:
 - il peut gêner la conduite du véhicule.
 - il peut causer des blessures à un passager à la suite d'un arrêt brutal.
- N'installez pas l'écran là où il peut (i) gêner la vision du conducteur, (ii) faire entrave au bon fonctionnement des commandes ou des dispositifs de sécurité du véhicule, incluant les airbags, les commandes des signaux de détresse, ou (iii) réduire la capacité du conducteur à utiliser le véhicule en sécurité.
- Le laser à semi-conducteur sera endommagé en cas de surchauffe. Installez cet appareil à l'écart des endroits chauds tels que près de la sortie du chauffage.
- Des performances optimales peuvent être obtenues quand l'appareil est installé avec un angle de moins de 30°.

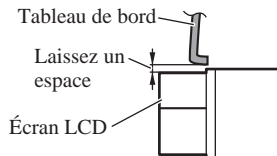


- Les cordons ne doivent pas couvrir la zone montrée sur la figure ci-dessous. C'est nécessaire pour permettre à l'amplificateur de rayonner librement.



Ne recouvrez pas cette zone.

- Assurez-vous qu'il y a suffisamment d'espace entre le tableau de bord et l'écran LCD de cet appareil de façon que l'écran LCD puisse être ouvert et fermé sans toucher le tableau de bord.



Montage DIN avant/arrière

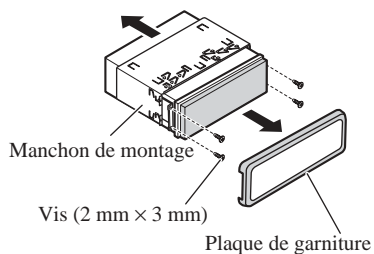
Cet appareil peut être installé correctement aussi bien par "l'avant" (montage DIN avant conventionnel) ou par "l'arrière" (montage DIN arrière, en utilisant aux perçages filetés de chaque côté du châssis de l'appareil). Pour les détails, reportez-vous aux méthodes d'installation illustrées suivantes.

Avant d'installer l'appareil

- Retirez la plaque de garniture et le manchon de montage.

Étirez le haut et le bas de la plaque de garniture vers l'extérieur pour la retirer. Puis desserrez les vis (2 mm × 3 mm) du manchon de montage.

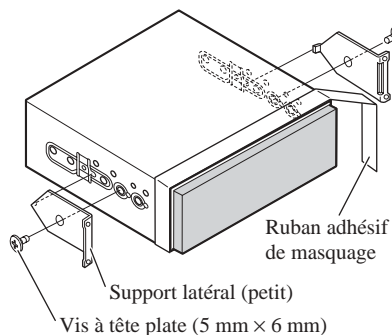
- Pour réattacher la plaque de garniture, poussez la plaque sur l'appareil jusqu'à ce qu'elle s'emboîte, et ce, après avoir réattaché le manchon de montage. (Si la plaque de garniture est attaché à l'envers, elle ne peut pas être fixée correctement.)



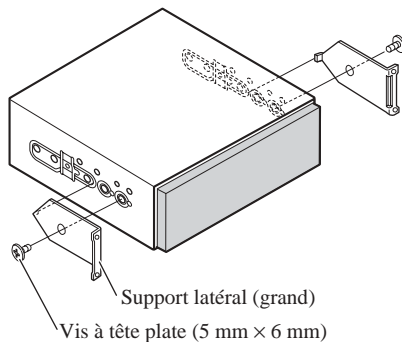
Montage DIN avant

1. Décidez la position des supports latéraux.

- Lors de l'installation dans une cavité peu profonde, changez la position des supports latéraux (petits). Dans ce cas, collez du ruban adhésif de masquage sur les parties qui dépassent du tableau de bord.

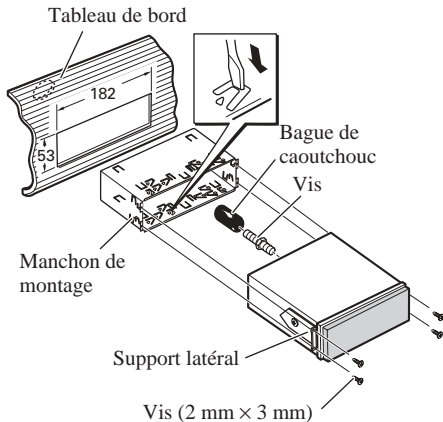


- Si vous préférez une installation désaxée dans laquelle le panneau avant est poussé plus en arrière, quand il y a suffisamment de place disponible derrière l'appareil, utilisez les supports latéraux (grands).



2. Installez l'appareil dans le tableau de bord.

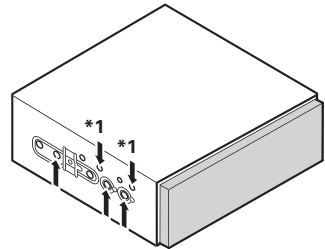
Insérez le manchon de montage dans le tableau de bord. Puis fixez le manchon de montage en utilisant un tournevis pour tordre les languettes de métal (90°).



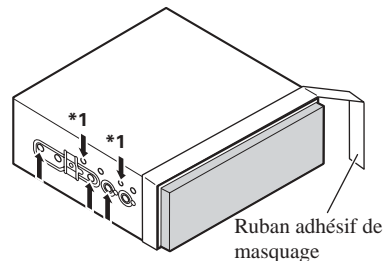
Montage DIN arrière

1. Déterminez la position appropriée telle que les perçages du support correspondent à ceux du côté de l'appareil.

*1 Utilisez uniquement des vis de pression (4 mm x 3 mm).

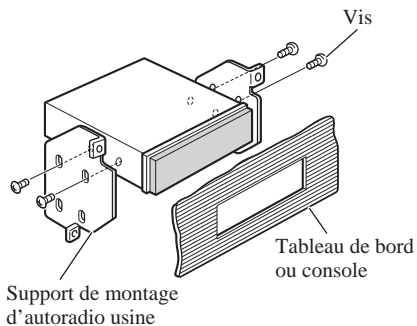


- Lors de l'installation dans une cavité peu profonde, utilisez les perçages suivants. Dans ce cas, collez du ruban adhésif de masquage sur les parties qui dépassent du tableau de bord.



2. Vissez deux vis de chaque côté.

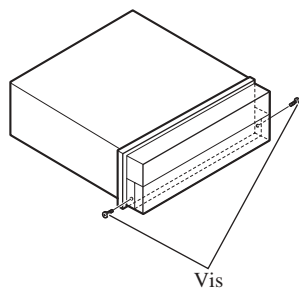
Selon la forme des perçages du support, utilisez les vis de pression (4 mm × 3 mm), les vis de pression (5 mm × 6 mm) ou les vis à tête plate (5 mm × 6 mm).



Fixation du panneau avant

Si vous ne prévoyez pas de détacher le panneau avant, ce dernier peut être fixé avec les vis fournies.

- **Fixez le panneau avant à l'appareil en utilisant les vis et le support principal après avoir déposé la plaque de garniture.**



Conexión de las unidades	1
Piezas suministradas	3
Conexión del cable de alimentación	5
Cuando conecte a un amplificador de potencia vendido separadamente	7
Cuando conecte con una cámara de vista trasera	9
Cuando conecte con un procesador multicanal	10
Conexión e instalación de la caja de conexión de cable óptico	11
Cuando conecte el componente externo y la pantalla	12
Instalación	13
Montaje delantero/trasero DIN	13
Montaje delantero DIN	14
Montaje trasero DIN	15
Fijación del panel delantero	16

ADVERTENCIA

- Para evitar el riesgo de accidentes e violación potencial de las leyes aplicables, no se debe usar nunca la función de DVD o TV frontal (vendido separadamente) mientras el vehículo esté siendo conducido. Igualmente, los monitores traseros no deben quedarse en un sitio donde puedan causar una distracción visible al conductor.
- En algunos países o estados, puede ser ilícita la visualización de imágenes en un display dentro de un vehículo, incluso por otras personas que no sean el conductor. En los casos en que resulten aplicables, estas normas deben respetarse y no deben usarse las funciones de DVD de esta unidad.



PRECAUCIÓN

- **PIONEER no recomienda que sea usted mismo quien instale o revise su pantalla. La instalación o revisión del producto puede exponerle a descargas eléctricas u otros peligros. Solicite que todos los trabajos de instalación y revisión de su pantalla los realice el personal de servicio Pioneer autorizado.**
- **Asegure todo el cableado con abrazaderas de cables o cinta para usos eléctricos. No permita que el cableado pelado permanezca expuesto.**
- **No taladre un agujero en el compartimiento del motor para conectar el cable amarillo de la unidad a la batería del vehículo. La vibración del motor podría estropear el aislamiento en el punto por donde el cable pasa del compartimiento de los pasajeros al compartimiento del motor. Tenga mucho cuidado para mantener el buen estado del cable en lo relativo a este punto.**
- **Es peligrosísimo dejar que el cable de la pantalla se enrolle en la base del volante o en la palanca de cambios. Asegúrese de instalar la pantalla de forma que ésta no sea un obstáculo para la conducción.**
- **Asegúrese de que los cables no interfieran con partes móviles del vehículo tales como la palanca de cambio, el freno de mano o el mecanismo de deslizamiento de los asientos.**
- **No acorte ningún cable. Si lo hace, el circuito de protección tal vez no funcione correctamente.**



ADVERTENCIA

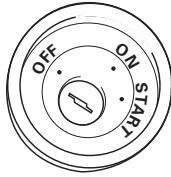
EL CABLE VERDE CLARO DEL CONECTOR DE ALIMENTACIÓN ESTÁ DISEÑADO PARA DETECTAR SI EL VEHÍCULO ESTÁ ESTACIONADO Y DEBE CONECTARSE CON EL LADO DE LA FUENTE DE ALIMENTACIÓN DEL INTERRUPTOR DEL FRENO DE MANO. LA CONEXIÓN O EL USO INCORRECTO DE ESTE CABLE PUEDE INFRINGIR LAS LEYES PERTINENTES Y OCASIONAR LESIONES FÍSICAS O DAÑOS GRAVES.

Nota:

- **No se puede instalar esta unidad en un vehículo sin una posición ACC (accesorio) en el interruptor de encendido.**



Posición ACC



Sin posición ACC

- El uso de esta unidad en condiciones diferentes de las siguientes podría causar un fuego o fallo de funcionamiento.
 - Vehículos con una batería de 12 voltios y puesta a tierra negativa.
 - Altavoz con 50 W (valor de salida) y de 4 a 8 ohmios (valor de impedancia).
- Para prevenir cortocircuitos, sobrecalentamiento o fallo de funcionamiento, asegúrese de seguir las instrucciones a continuación.
 - Desenchufe el terminal negativo de la batería antes de la instalación.
 - Fije el cableado con abrazaderas de cable o con cinta adhesiva. Para proteger el cableado, envuélvalo con cinta adhesiva donde el cableado se apoya sobre piezas metálicas.
 - Posicione todos los cables alejados de las piezas móviles, como el cambio de marchas y rieles de los asientos.
 - Posicione todos los cables alejados de lugares calientes como cerca de la salida del calentador.
 - No pase el cable amarillo a través de un agujero en el compartimiento del motor para conectar la batería.
 - Cubra cualquier conector de cable desconectado con cinta de aislamiento.
 - No extraiga las tapas RCA si no se utilizan los cables RCA.
 - No acorte ningún cable.
 - No corte nunca el aislamiento del cable de alimentación de esta unidad para compartir la energía con otro equipo. La capacidad de corriente del cable es limitada.
 - Utilice un fusible con la capacidad especificada.
 - No conecte nunca el cable negativo de altavoz directamente a la puesta a tierra.
 - No junte nunca múltiples cables negativos de altavoz.

- La señal de control se emite a través del cable azul/blanco cuando se enciende esta unidad. Conéctelo a un terminal de control de sistema de amplificador de potencia externo o al terminal de control de relé de antena automática del vehículo (máx. 300 mA, 12 V CC). Si el vehículo está equipado con una antena de vidrio, conéctelo al terminal de suministro de potencia de refuerzo de la antena.
- No conecte nunca el cable azul/blanco al terminal de alimentación de un amplificador de potencia externo. Igualmente, no conéctelo nunca al terminal de alimentación de la antena automática. De lo contrario, puede ocurrir la descarga de la batería o un fallo de funcionamiento.
- Los conectores IP-BUS están codificados en colores. Asegúrese de conectar los conectores del mismo color.
- El cable negro es para la puesta a tierra. Se debe conectar este cable y el cable de puesta a tierra de otro producto (especialmente de productos de alta corriente como un amplificador de potencia) separadamente. De lo contrario, puede ocurrir un fuego o fallo de funcionamiento si los cables se sueltan accidentalmente.

Conexión de las unidades

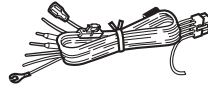
Piezas suministradas



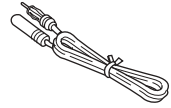
Este producto



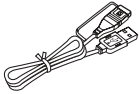
Caja de sintonizador



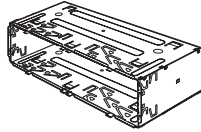
Cable de alimentación



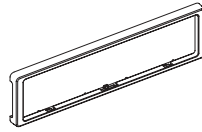
Cable de antena



Cable USB



Manguito de montaje
(preinstalado)



Anillo de
compensación
(preinstalado)



Ménsula lateral
(pequeña) (2 piezas)
(preinstalado)



Tornillo (2 mm x 3 mm)
(4 piezas)
(preinstalado)



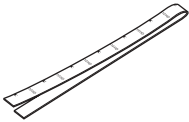
Tornillo de cabeza embudida
(5 mm x 6 mm) (6 piezas)
(2 piezas preinstaladas.)



Tornillo de apriete
(5 mm x 6 mm)
(4 piezas)



Tornillo de apriete
(4 mm x 3 mm)
(4 piezas)



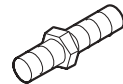
Cinta de
encubrimiento



Ménsula lateral
(grande) (2 piezas)



Buje de caucho



Prisionero

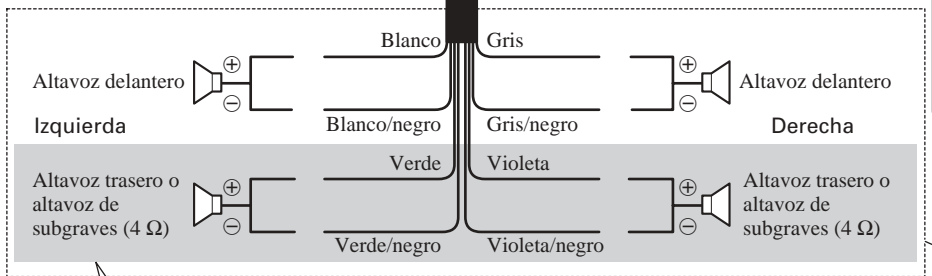
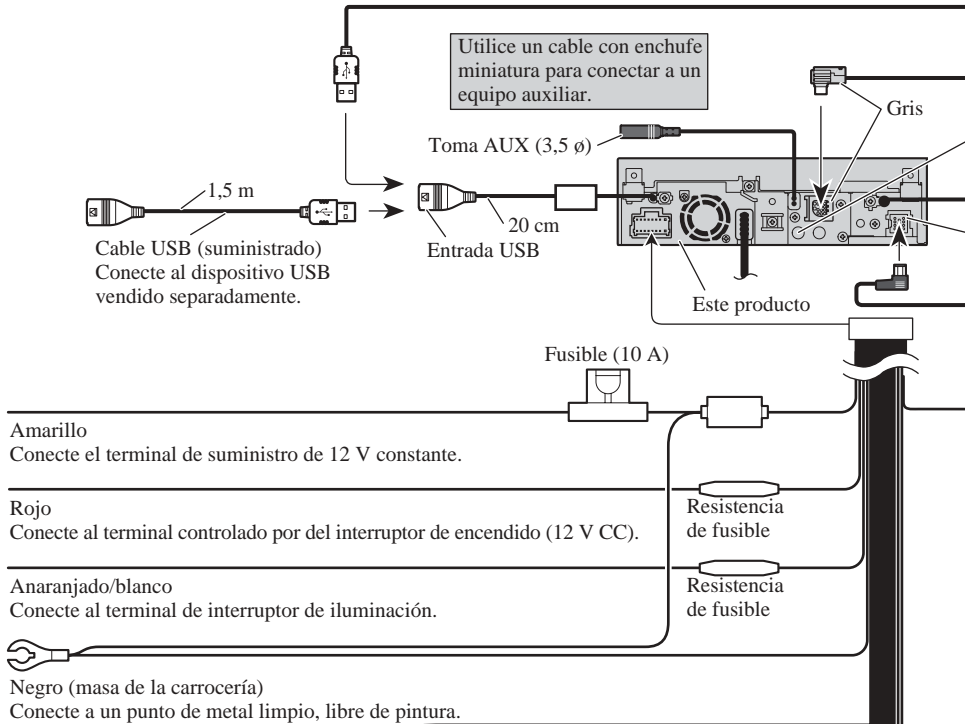


Bolígrafo de panel táctil

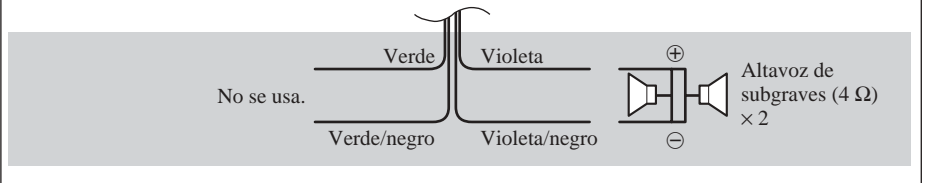


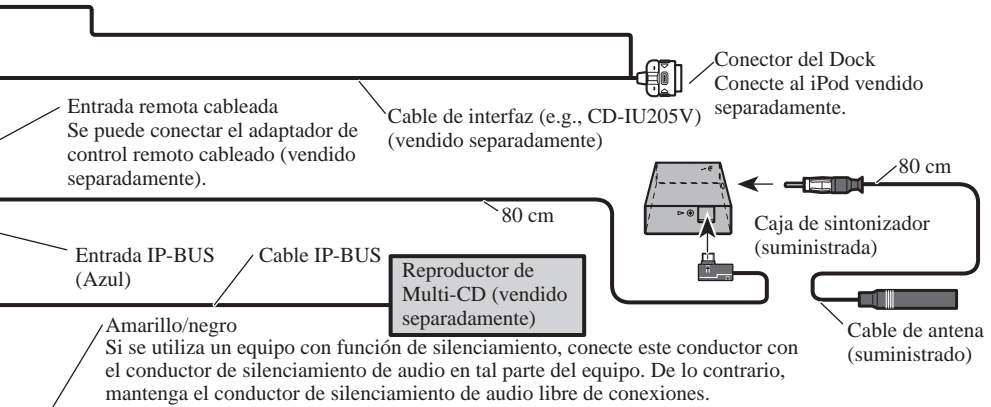
Tornillo (2 mm x 7 mm)
(2 piezas)

Conexión del cable de alimentación



Cuando utilice un altavoz de subgraves de 70 W (2 Ω), asegúrese de conectarlo con los hilos Violeta y Violeta/negro de esta unidad. No conecte nada a los hilos Verde y Verde/negro.

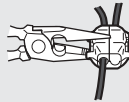




Método de conexión



1. Apriete el cable.



2. Apriete firmemente con alicates de punta de aguja.

Nota:

- La posición del freno de estacionamiento depende del modelo del vehículo. Para conocer detalles, consulte el manual del propietario del vehículo o a su concesionario.

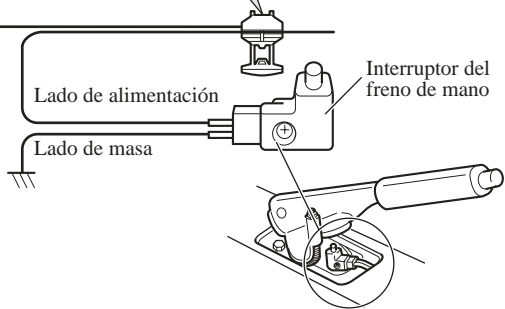
Verde claro

Se utiliza para detectar el estado ON/OFF del freno de mano. Este cable debe conectarse al lado de alimentación del interruptor del freno de mano.

Azul/blanco

Conecte al terminal de control de sistema del amplificador de potencia o al terminal de control de relé de antena automática (máx. 300 mA 12 V CC).

Con un sistema de 2 altavoces, no conecte nada a los hilos de altavoz que no estén conectados a los altavoces.

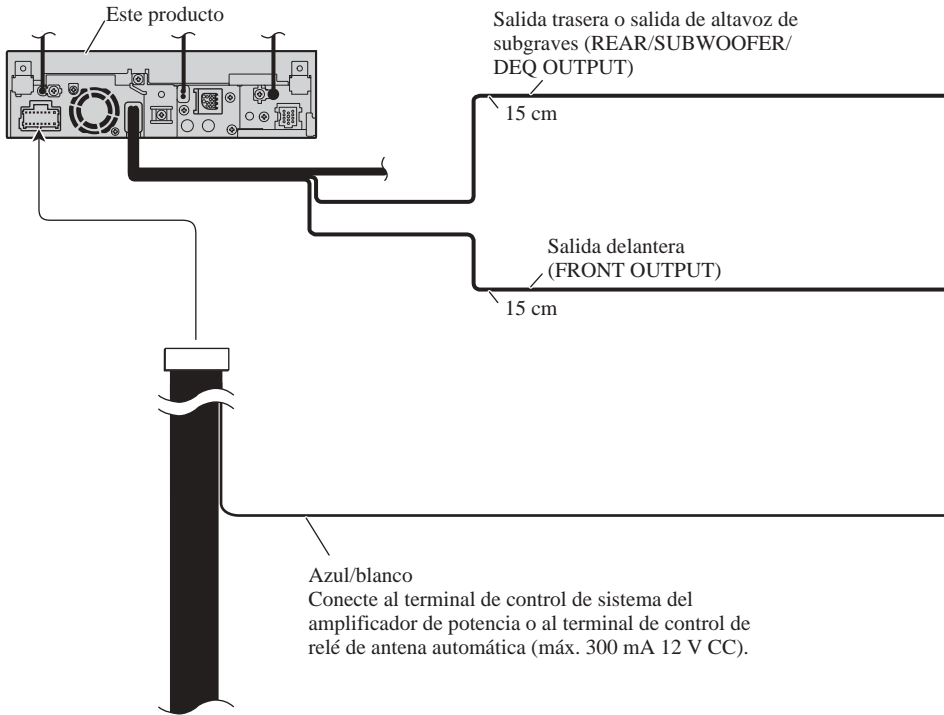


Cuando conecte el procesador multicanal (e.g., DEQ-P8000) vendido separadamente a esta unidad, no conecte nada a los conductores de los altavoces y al control remoto del sistema (azul/blanco).

Nota:

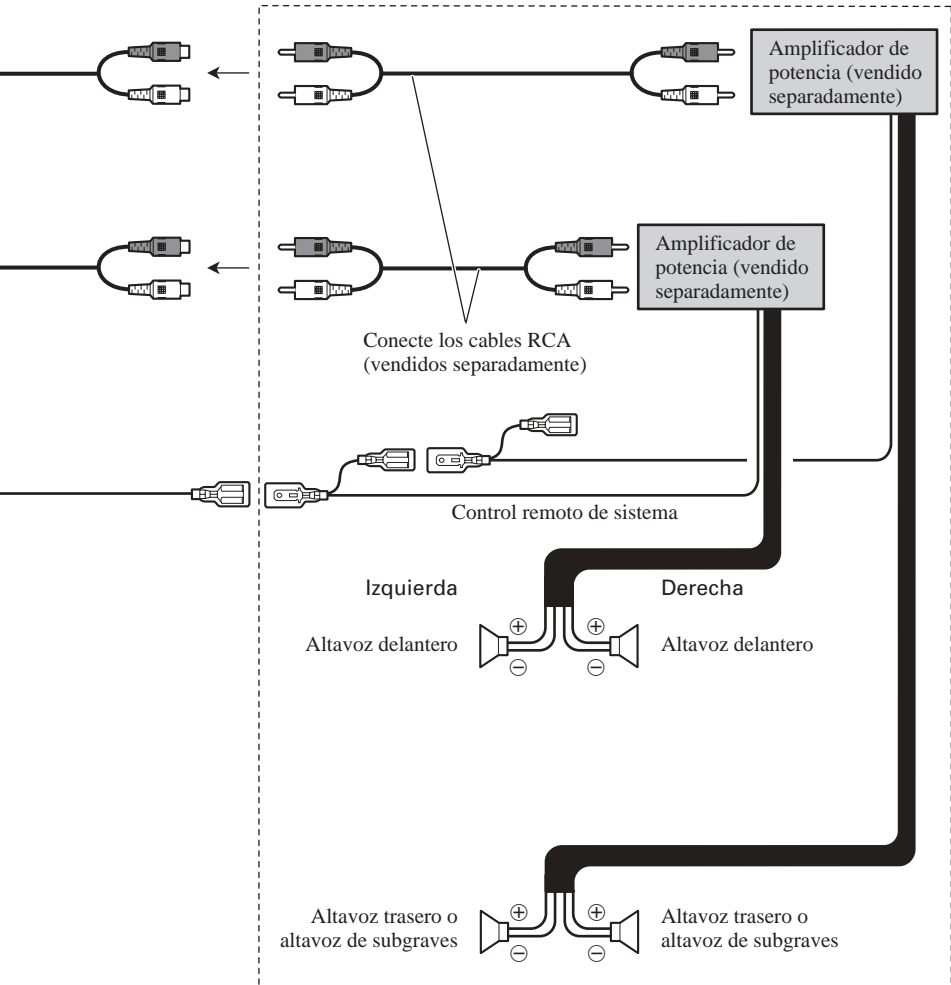
- Cambie el ajuste inicial de esta unidad (refiérase al manual de operación). La salida de altavoz de subgraves de esta unidad es monofónica.

Cuando conecte a un amplificador de potencia vendido separadamente



Cuando conecte el procesador multicanal (e.g., DEQ-P8000) vendido separadamente a esta unidad, no conecte nada a los conductores de los altavoces y al control remoto del sistema (azul/blanco).

Cuando conecte el procesador multicanal a esta unidad, consulte el manual de instalación del procesador multicanal para el método de conexión.



Realice estas conexiones cuando utilice el amplificador opcional.

Nota:

- Cambie el ajuste inicial de esta unidad (refiérase al manual de operación). La salida de altavoz de subgraves de esta unidad es monofónica.

Cuando conecte con una cámara de vista trasera

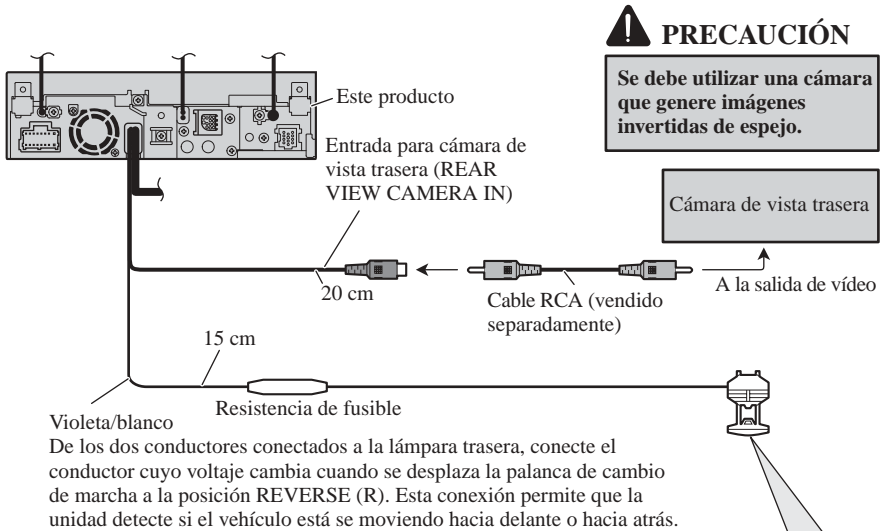
Cuando se utiliza este producto con una cámara de vista trasera, se puede cambiar automáticamente desde vídeo a imagen de vista trasera cuando se desplaza el cambio de marchas a **REVERSE (R)**.

⚠ ADVERTENCIA

UTILICE SOLAMENTE PARA CÁMARA DE VISTA TRASERA DE IMAGEN INVERTIDA O DE ESPEJO. CUALQUIER OTRO USO PUEDE CAUSAR LESIONES O DAÑOS.

⚠ PRECAUCIÓN

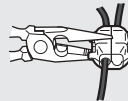
- La imagen de la pantalla puede aparecer invertida.
- Se debe utilizar la función de cámara de vista trasera como un auxilio para estacionar en lugares estrechos. No utilice esta función para propósitos de entretenimiento.
- Los objetos en la vista trasera pueden parecer más cercanos o más distantes de que realmente están.



Método de conexión



1. Apriete el cable.

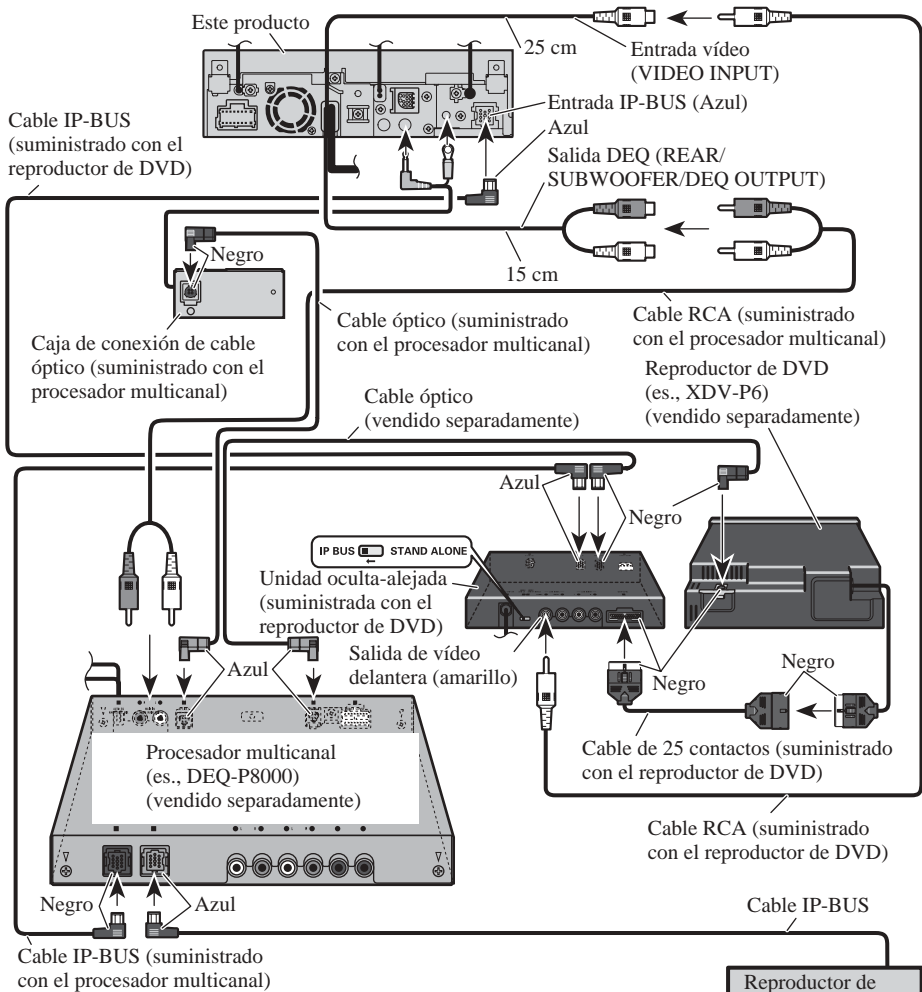


2. Apriete firmemente con alicates de punta de aguja.

Nota:

- Se requiere ajustar **CAMERA POLARITY** adecuadamente en el menú **SYSTEM MENU** cuando conecte la cámara de vista trasera.

Cuando conecte con un procesador multicanal



Cuando conecte un reproductor de DVD vendido separadamente al procesador de canales múltiples vendido separadamente, se debe conectar el cable óptico del reproductor de DVD a la entrada de cable óptico 2 (OPT. IN2) del procesador de canales múltiples.

Sólo se puede utilizar un componente de vídeo con esta unidad.

Reproductor de Multi-CD (vendido separadamente)

Conexión e instalación de la caja de conexión de cable óptico

⚠ ADVERTENCIA

- Evite instalar esta unidad en lugares donde la misma pueda obstruir la operación de los dispositivos de seguridad como el airbag. De lo contrario, hay el peligro de un accidente fatal.
- Evite instalar esta unidad en lugares donde la misma pueda obstruir la operación del freno. De lo contrario, esto podría causar un accidente de tráfico.
- Fije esta unidad firmemente con la cinta de gancho y bucle o atadura de fijación. Si esta unidad está floja, puede estorbar la estabilidad de conducción, lo que podría causar un accidente de tráfico.

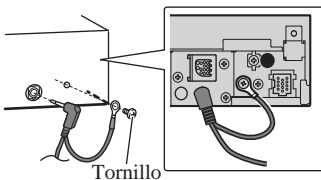
⚠ PRECAUCIÓN

- Instale esta unidad utilizando solamente las piezas suministradas con la misma. Si se utilizan otras piezas, la unidad podría dañarse o desmontarse, lo que causaría un accidente u otros problemas.
- No instale esta unidad cerca de las puertas donde el agua de la lluvia podría derramar sobre la unidad. La penetración de agua en la unidad puede causar el humo o fuego.

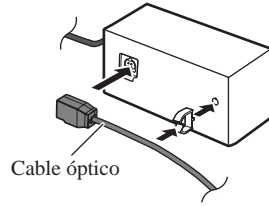
Conexión del cable óptico

1. Conecte el cable óptico y hilo de tierra a la unidad principal.

Conecte el cable óptico de manera que no se sobresalga de la unidad, como se muestra en la ilustración. Apriete el hilo de tierra a la protuberancia en la parte posterior de la unidad.



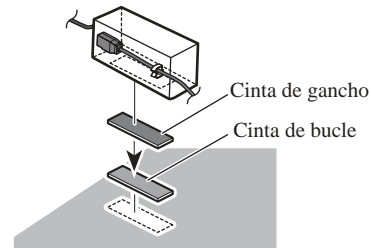
2. Conecte el cable óptico a la caja de conexión de cable óptico.



Instalación de la caja de conexión de cable óptico

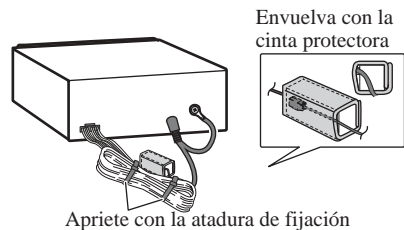
- Cuando instale la caja de conexión de cable óptico con la cinta de gancho y bucle.

Instale la caja de conexión de cable óptico usando la cinta de gancho y bucle en el espacio ancho de la caja de la consola.

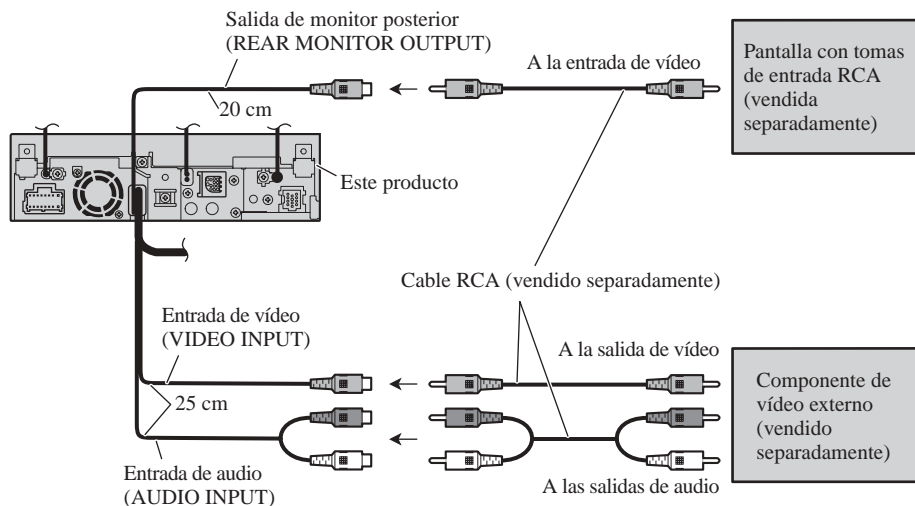


- Cuando instale la caja de conexión de cable óptico con la atadura de fijación.

Envuelva el cable óptico y la caja de conexión con la cinta protectora y apriete con el cable de alimentación usando la atadura de fijación.



Cuando conecte el componente externo y la pantalla



- Se requiere ajustar **AV INPUT** a **VIDEO** en **SYSTEM MENU** cuando conecte el componente de vídeo externo.
- Se requiere ajustar **AV INPUT** a **S-DVD** en **SYSTEM MENU** cuando conecte un reproductor de multi-DVD.

Cuando utilice un presentación visual conectado a la salida de vídeo trasera

La salida de vídeo trasera de este producto es para la conexión de un presentación visual para permitir que los pasajeros en los asientos traseros puedan ver el DVD o Video CD.

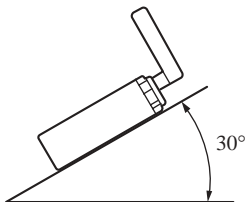


ADVERTENCIA

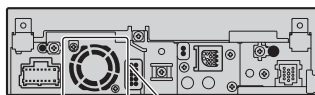
- **NUNCA** instale el presentación visual en un lugar que permita el motorista ver el DVD o Video CD mientras conduce el automóvil.

Nota:

- Verifique todas las conexiones y sistemas antes de la instalación final.
- No utilice piezas no autorizadas. El uso de piezas no autorizadas puede causar un fallo de funcionamiento.
- Consulte su revendedor si se requiere taladrar agujeros o hacer otras modificaciones del vehículo para la instalación.
- No instale esta unidad donde:
 - pueda interferir con la operación del vehículo.
 - pueda causar lesiones a un pasajero en el caso de una parada brusca.
- No instale el display en un lugar que (i) pueda obstaculizar la visión del conductor, (ii) pueda alterar el funcionamiento de los sistemas operativos o los dispositivos de seguridad del vehículo, en particular las bolsas de aire y los botones de luces de seguridad o (iii) pueda afectar la capacidad del conductor para manejar el vehículo de manera segura.
- El láser semiconductor se dañará si se sobrecalienta. Instale esta unidad alejada de lugares calientes como cerca de la salida del calentador.
- Se obtiene el rendimiento óptimo cuando se instala la unidad en un ángulo inferior a 30° .

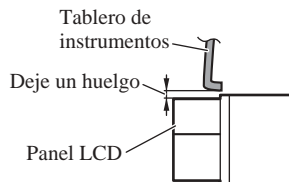


- Los cordones no deben tapan el área mostrado en la figura de abajo. Esto es necesario para permitir que los amplificadores puedan radiar libremente.



No cubra esta área.

- Asegúrese de dejar un hueco suficiente entre el tablero de instrumentos y el panel LCD de esta unidad, de modo que se pueda abrir y cerrar el panel LCD sin ningún contacto con el tablero de instrumentos.



Montaje delantero/trasero DIN

Se puede instalar esta unidad apropiadamente mediante el montaje “delantero” (montaje delantero DIN convencional) o montaje “trasero” (montaje trasero DIN utilizando los agujeros de tornillo roscados en los lados del bastidor de la unidad). Para los detalles, refiérase a los siguientes métodos de instalación que se muestran.

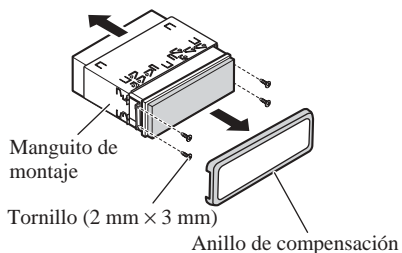
Antes de instalar la unidad

- Quite el anillo de compensación y el manguito de montaje.

Extienda las partes superior e inferior del anillo de compensación hacia fuera para extraer el anillo de compensación.

Luego, afloje los tornillos ($2\text{ mm} \times 3\text{ mm}$) para quitar el manguito de montaje.

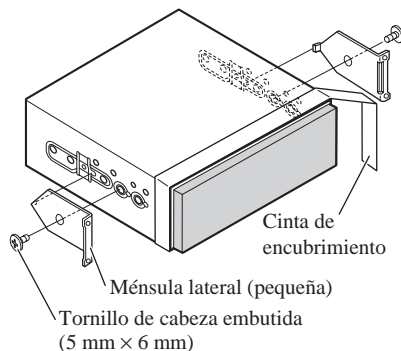
- Cuando reinstale el anillo de compensación, empuje el anillo de compensación en la unidad hasta que encaje con un “clic” después de reinstalar el manguito de montaje. (Si se instala el anillo de compensación invertido, puede que el anillo de compensación no se encaje correctamente.)



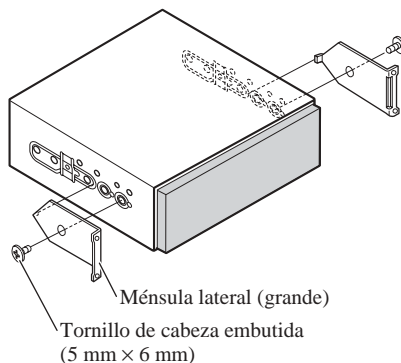
Montaje delantero DIN

1. Decida la posición de las ménsulas laterales.

- Cuando instale en un lugar poco profundo, cambie la posición de las ménsulas laterales (pequeñas). En este caso, pegue una cinta de encubrimiento en las partes que se sobresalen desde el tablero de instrumentos.

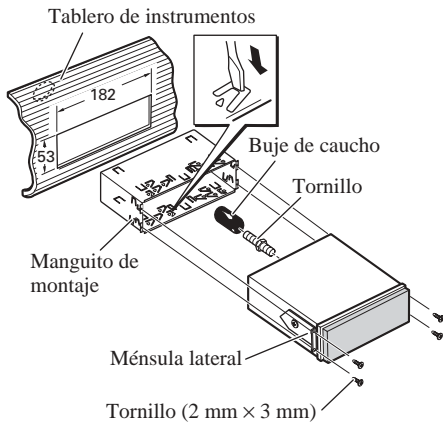


- Si prefiere una instalación desplazada en la cual el panel delantero quede más al fondo, cuando hay espacio disponible en la parte posterior de la unidad, utilice las ménsulas laterales (grandes).



2. Instale la unidad en el tablero de instrumentos.

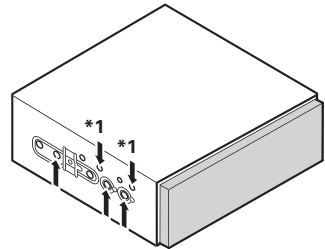
Inserte el manguito de montaje en el tablero de instrumentos. Luego, fije el manguito de montaje utilizando un destornillador para doblar las lengüetas de metal (90°) en posición.



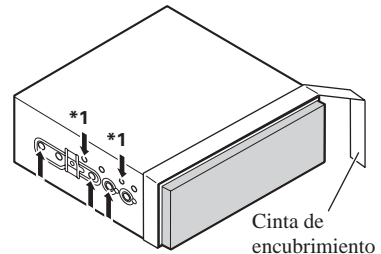
Montaje trasero DIN

1. Determine la posición apropiada donde los agujeros en la ménsula y el lado de la unidad se emparejan.

*1 Utilice tornillos de apriete (4 mm x 3 mm) solamente.

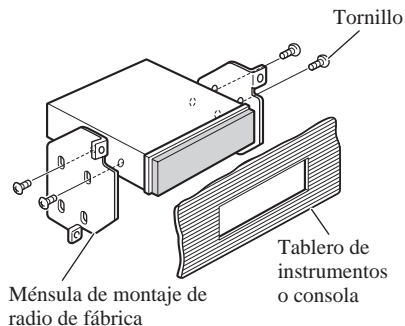


- Cuando instale en un lugar poco profundo, utilice los siguientes agujeros de tornillo. En este caso, pegue una cinta de encubrimiento en las partes que se sobresalen desde el tablero de instrumentos.



2. Apriete los dos tornillos en cada lado.

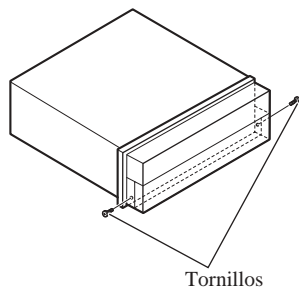
Utilice tornillos de apriete (4 mm × 3 mm), tornillos de apriete (5 mm × 6 mm) o tornillos de cabeza embutida (5 mm × 6 mm), dependiendo de la forma de los agujeros de tornillo en la ménsula.



Fijación del panel delantero

Si no planea extraer el panel delantero, se puede fijar el panel delantero con los tornillos suministrados.

- **Fije el panel delantero a la unidad utilizando el sujetador y los tornillos después de quitar el anillo de compensación.**



PIONEER CORPORATION

4-1, MEGURO 1-CHOME, MEGURO-KU, TOKYO 153-8654, JAPAN

PIONEER ELECTRONICS (USA) INC.

P.O. Box 1540, Long Beach, California 90801-1540, U.S.A.
TEL: (800) 421-1404

PIONEER EUROPE NV

Haven 1087, Keetberglaan 1, B-9120 Melsele, Belgium
TEL: (0) 3/570.05.11

PIONEER ELECTRONICS ASIACENTRE PTE. LTD.

253 Alexandra Road, #04-01, Singapore 159936
TEL: 65-6472-7555

PIONEER ELECTRONICS AUSTRALIA PTY. LTD.

178-184 Boundary Road, Braeside, Victoria 3195, Australia
TEL: (03) 9586-6300

PIONEER ELECTRONICS OF CANADA, INC.

300 Allstate Parkway, Markham, Ontario L3R 0P2, Canada
TEL: 1-877-283-5901
TEL: 905-479-4411

PIONEER ELECTRONICS DE MEXICO, S.A. de C.V.

Bldv.Manuel Avila Camacho 138 10 piso
Col.Lomas de Chapultepec, Mexico, D.F. 11000
TEL: 55-9178-4270

先鋒股份有限公司

總公司: 台北市中山北路二段44號13樓

電話: (02) 2521-3588

先鋒電子(香港)有限公司

香港九龍尖沙咀海港城世界商業中心9樓901-6室

電話: (0852) 2848-6488

Published by Pioneer Corporation.

Copyright © 2008 by Pioneer Corporation.
All rights reserved.

Publication de Pioneer Corporation.

Copyright © 2008 Pioneer Corporation.
Tous droits de reproduction et de traduction
réservés.

Free Manuals Download Website

<http://myh66.com>

<http://usermanuals.us>

<http://www.somanuals.com>

<http://www.4manuals.cc>

<http://www.manual-lib.com>

<http://www.404manual.com>

<http://www.luxmanual.com>

<http://aubethermostatmanual.com>

Golf course search by state

<http://golfingnear.com>

Email search by domain

<http://emailbydomain.com>

Auto manuals search

<http://auto.somanuals.com>

TV manuals search

<http://tv.somanuals.com>