

# MODEL SP-10CD 10-DISC CD CHANGER

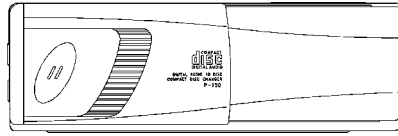


# INSTALLATION MANUAL

# PACKING LIST

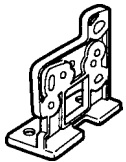
## MAIN UNIT

Changer



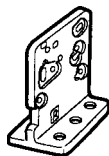
## INSTALLATION PARTS

Bracket (L)



1 pc.

Bracket (R)



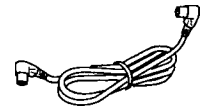
1 pc.

Hexagonal bolt with washer  
(M5 x 10)



4 pcs.

5 Meter Din Cable



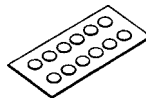
1 pc.

Self-tapping screw  
(M5 x 12)



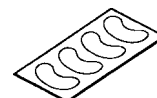
4 pcs.

Seals (A)



1 pc.

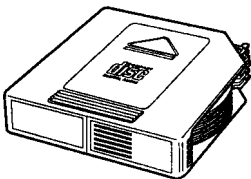
Seals (B)



1 pc.

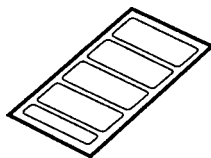
## OTHER ACCESSORIES

CD Magazine



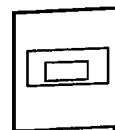
1 pc.

Index seal sheet



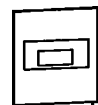
1 pc.

Installation Manual



1 pc.

Owner's guide



1 pc.

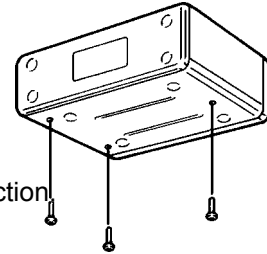
# BEFORE INSTALLING THE UNIT

## Transport Lock Screws

The mechanism in the CD changer is "locked" into place during shipment by the transport screws. Be sure to remove the screws prior to installation.

### Caution

After removing the transport lock screws, place the supplied seals (A) over the screw holes. These seals are used to keep dust out of the unit, which could cause a malfunction.



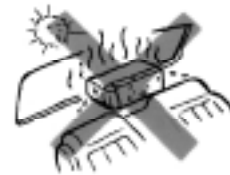
## Installation and Wiring Precautions

- 1 To prevent a short-circuit,  
Be sure to turn off the ignition and remove the negative (-) battery cable, prior to installation.  
Connect power wires last.

### Note

If the changer is to be installed in a car that is equipped with an on-board drive or navigation computer, do not disconnect the battery cable. If the cable is disconnected, the computer memory may be lost. Under these conditions, use extra caution during installation, not to cause a short circuit.

- 2 Do not install the unit in the following locations.  
Locations exposed to direct sunlight.  
Where hot air is discharged from the car heater.  
In areas subject to extreme temperatures.

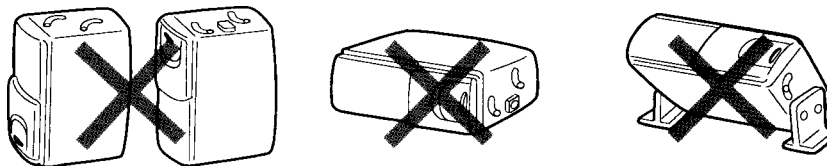


- 3 Incorrect installation can cause the sound to "skip" when playing a disc.  
Mount the unit firmly in place, using the supplied brackets and screws.

- 4 Be careful not to damage the car wiring.

- 5 Be sure to use the supplied screws.  
Be careful not to snag any wires when tightening screws.  
Do not use any of the screws that are part of the brake or steering system, to install the unit.

- 6 This unit cannot be installed on its side, end, or upside down. Installation in such positions will cause malfunctioning of the mechanism.



# INSTALLATION

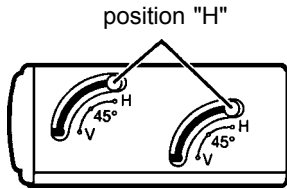
The unit can be installed horizontally, vertically or at a 45° angle. The position of the built-in anti-vibration springs (left and right side), must correspond to the mounting position chosen. If the springs are not set correctly for the type of installation chosen, the anti-vibration compensation will not be effective and vibration may cause the disc to skip.

## CAUTION

After setting the built-in anti-vibration springs, place the supplied Seals (B) over the holes. These seals are used to keep dust, which could cause a malfunction, out of the unit.

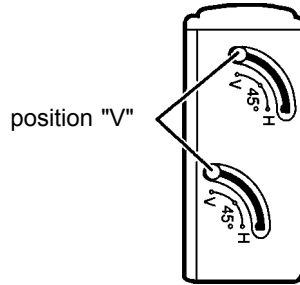
### HORIZONTAL INSTALLATION

Set the 4 anti-vibration springs to position "H".



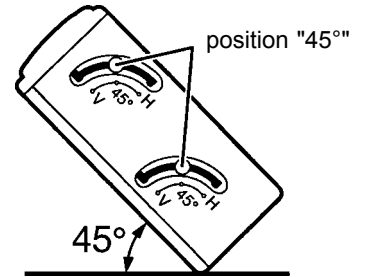
### VERTICAL INSTALLATION

Set the 4 anti-vibration springs to position "V".



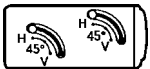
### 45° ANGLE INSTALLATION

Set the 4 anti-vibration springs to position "45°".

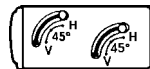


## PROCEDURE FOR HORIZONTAL INSTALLATION

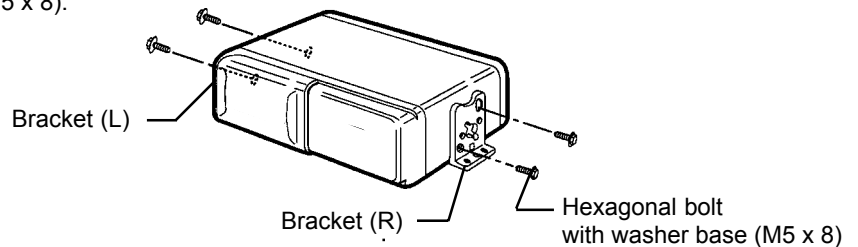
- 1 Attach bracket (L) and bracket (R) to each side of the unit, using the hexagonal bolts with washer base (M5 x 8).



Anti-vibration springs position

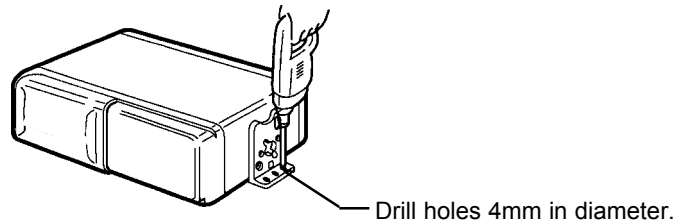


**NOTE:** Use seals (A) to cover unused mounting holes on sides of unit.

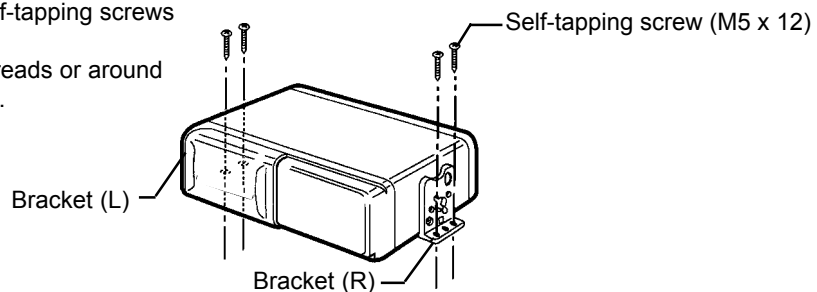


- 2 Determine the mounting location, and drill four mounting holes.

Never mount the unit near the fuel tank.



- 3 Secure the unit in place, using four self-tapping screws (M5 x 12). Use RTV (silicone sealer) on screw threads or around the holes to prevent moisture intrusion.

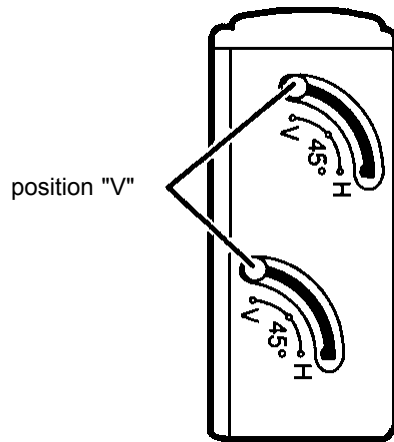


# PROCEDURE FOR VERTICAL INSTALLATION

## Note

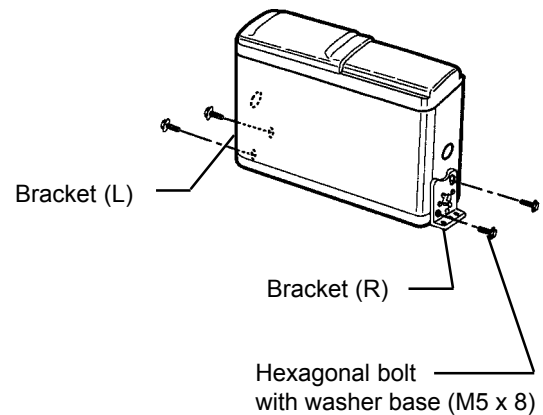
If the anti-vibration spring position has been changed and verified for vertical mounting (as shown on page 3), start with step 2.

- 1** Set the 4 anti-vibration springs to position "V".



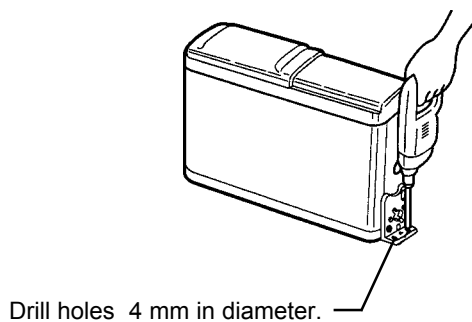
- 2** Attach bracket (L) and bracket (R) to each side of the unit, using the hexagonal bolts with washer base (M5 x 8).

**NOTE:** Use seals (A) to cover unused mounting holes on sides of unit.



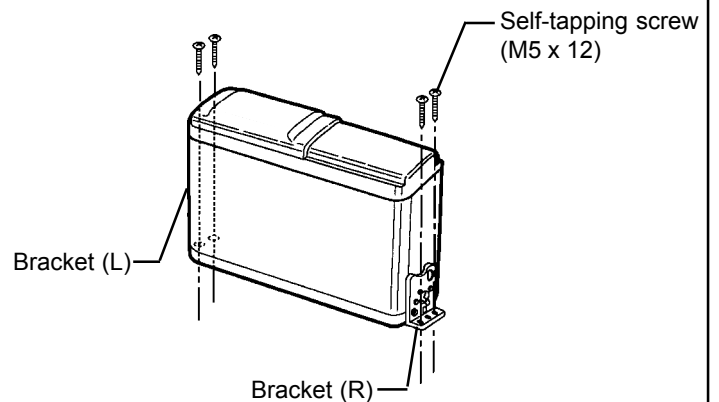
- 3** Determine the mounting location, and drill four mounting holes.

Never mount the unit near the fuel tank.



- 4** Mount the unit in place, using four self-tapping screws (M5 x 12).

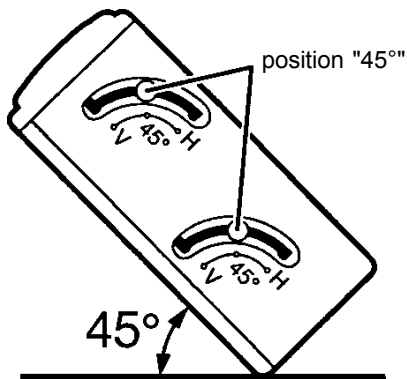
Use RTV (silicone sealer) on screw threads or around the holes to prevent moisture intrusion.



# PROCEDURE FOR 45° ANGLE INSTALLATION

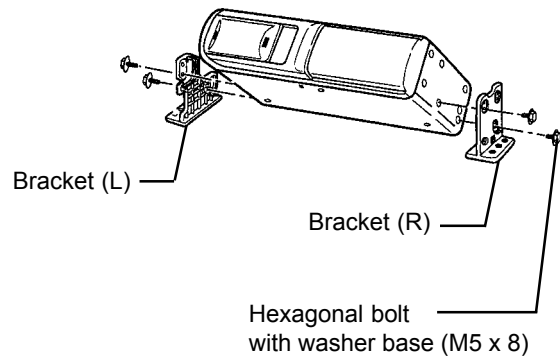
**Note**  
If the anti-vibration spring position has been changed and verified for 45° angle mounting (as shown on page 3), start with step 2.

**1** Set the 4 anti-vibration springs to position "45°".



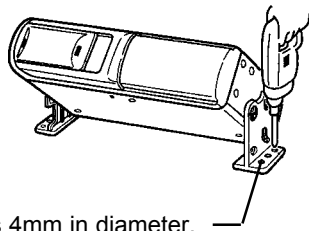
**2** Attach bracket (L) and bracket (R) to each side of the unit, using the hexagonal bolts with washer base (M5 x 8).

**NOTE:** Use seals (A) to cover unused mounting holes on sides of unit.



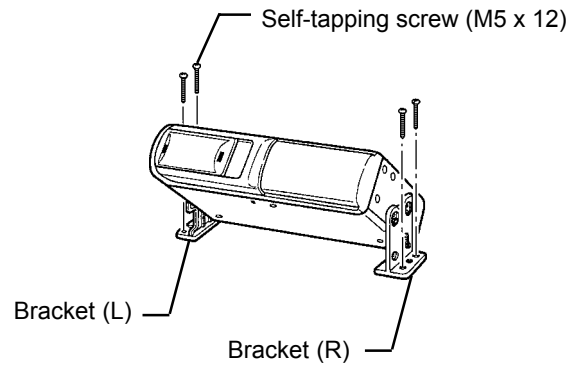
**3** Determine the mounting location, and drill four mounting holes.

Never mount the unit near the fuel tank.

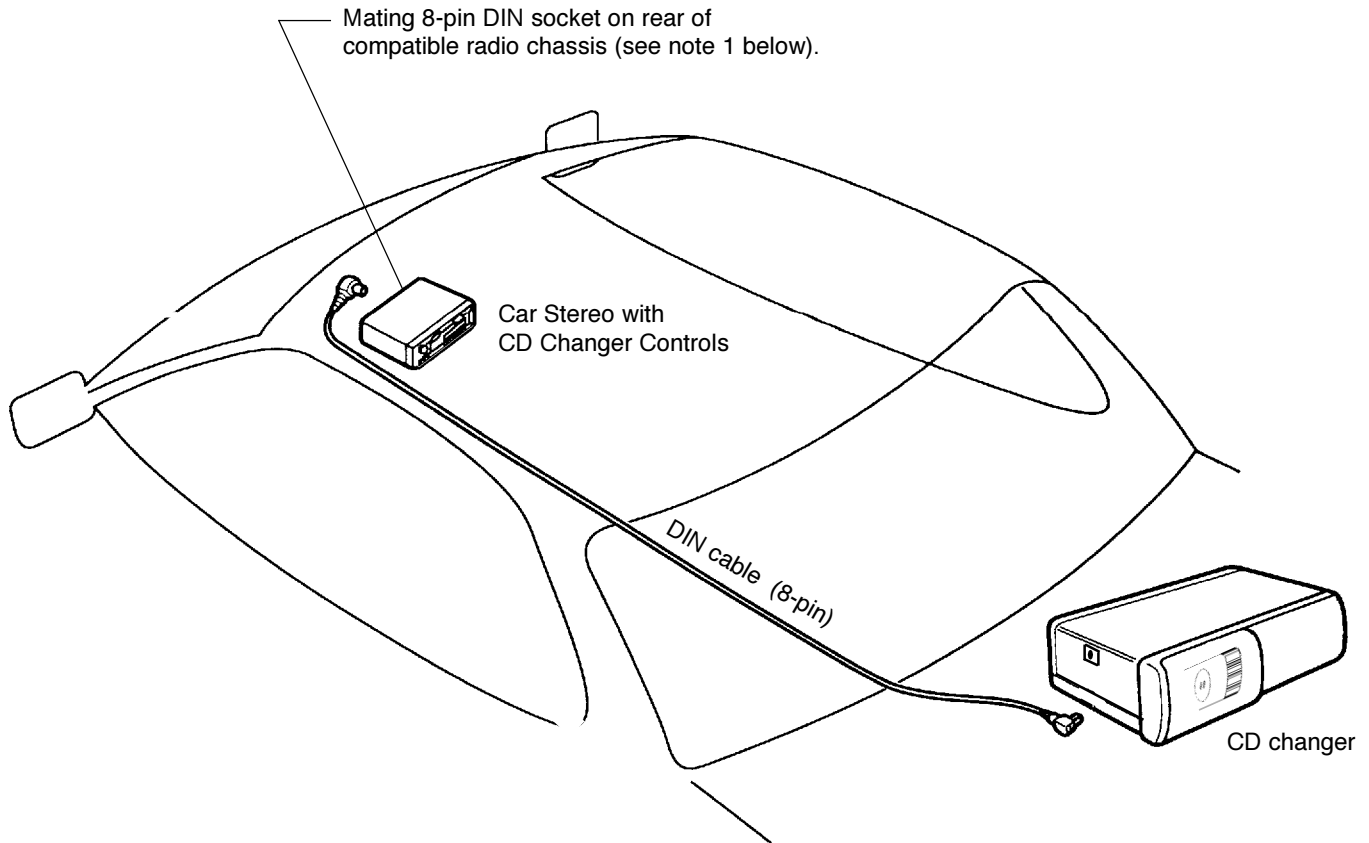


**4** Mount the unit in place, using four self-tapping screws (M5 x 12).

Use RTV (silicone sealer) on screw threads or around the holes to prevent moisture intrusion.



# VEHICLE WIRING



- NOTE:** 1. Check with your Audiovox car audio dealer to be sure your stereo is directly compatible with this CD changer.
2. Wiring instructions for use with FM Modulator/Commander Systems are included with the CDC-MC1, CDC-MCR2, P-MC3 and P-MCR4 accessories.





## Free Manuals Download Website

<http://myh66.com>

<http://usermanuals.us>

<http://www.somanuals.com>

<http://www.4manuals.cc>

<http://www.manual-lib.com>

<http://www.404manual.com>

<http://www.luxmanual.com>

<http://aubethermostatmanual.com>

Golf course search by state

<http://golfingnear.com>

Email search by domain

<http://emailbydomain.com>

Auto manuals search

<http://auto.somanuals.com>

TV manuals search

<http://tv.somanuals.com>