

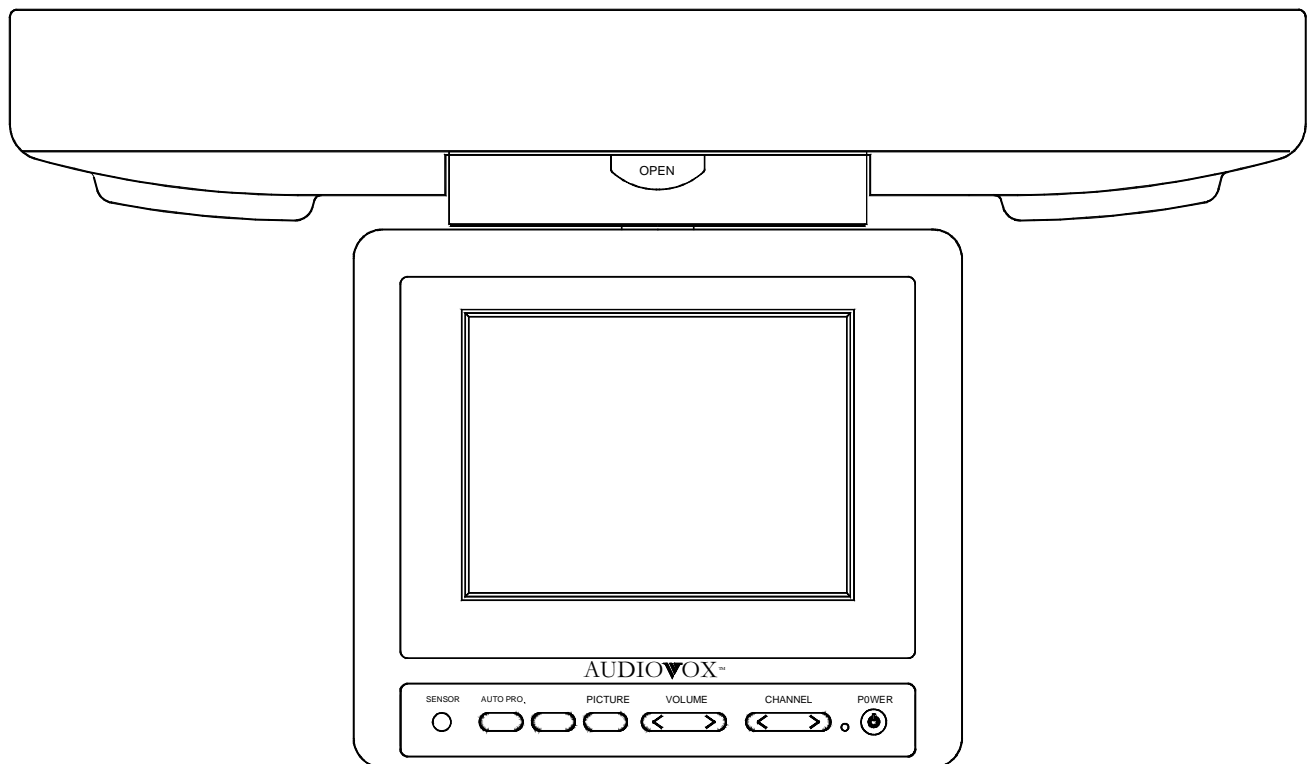


AUDIOVOX®
ELECTRONICS CORP.

VE-500A

Low Profile Television

5" LCD Drop Down Under Counter TV



FEATURES

- Multi-function Remote Control
- Automatic Channel Programming
- Cable Ready 125 Channel Tuner
- Internal Stereo Speakers
- Wall or Under Cabinet Mounting

Installation and Operation Manual

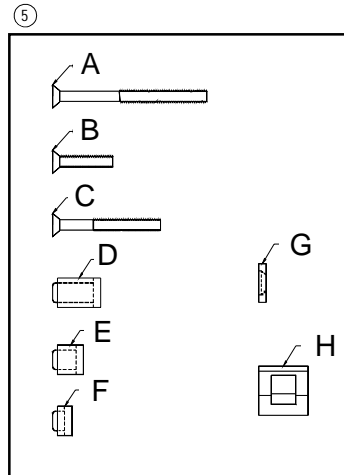
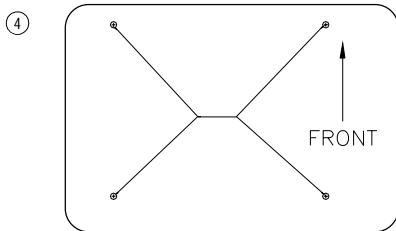
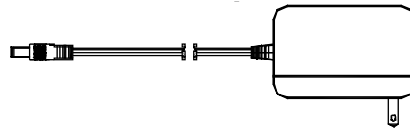
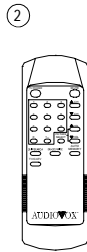
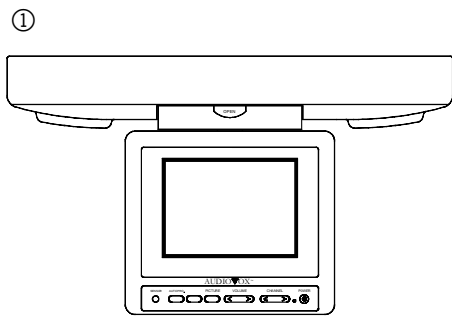
Printer: Leave this page blank

IMPORTANT SAFETY INFORMATION

- 1) Always unplug the VE500A prior to cleaning.
- 2) Use only a damp cloth for cleaning. Do not use liquid cleaners or aerosol cleaners.
- 3) Use only Audiovox approved power adapter to operate the VE500A.
- 4) Never overload electrical outlets or use extension cords as this can result in a risk of fire or electric shock.
- 5) Do not install the VE500A product where it is likely to be exposed to water. Do not install where there is a chance of liquid being spilt into or on the VE500A.
- 6) Do not obstruct the ventilation slots. These ventilation slots are necessary to ensure reliable operation of the VE500A and protect it from overheating.
- 7) Do not install the VE500A near or over a source of heat such as a radiator or heat register.
- 8) The VE500A should not be installed in an enclosed or built-in location such as a bookcase or rack unless proper ventilation is provided.
- 9) Never insert objects of any kind into the VE500A through openings as they may touch dangerous voltage points or short-circuit parts that could result in a fire or electric shock.
- 10) Do not attempt to service the VE500A yourself. Opening or removing the covers may expose you to dangerous voltage or other hazards. Refer all servicing to qualified Audiovox service personnel.
- 11) Unplug the VE500A from the outlet and refer servicing to qualified Audiovox service personnel under any of the following conditions:
 - a) If liquid has been spilled, or an object has fallen into the TV.
 - b) If the TV has been exposed to water.
 - c) If the TV does not operate normally when following the operating instructions.
 - d) If the TV has been dropped or the cabinet has been damaged.

INCLUDED IN THIS KIT

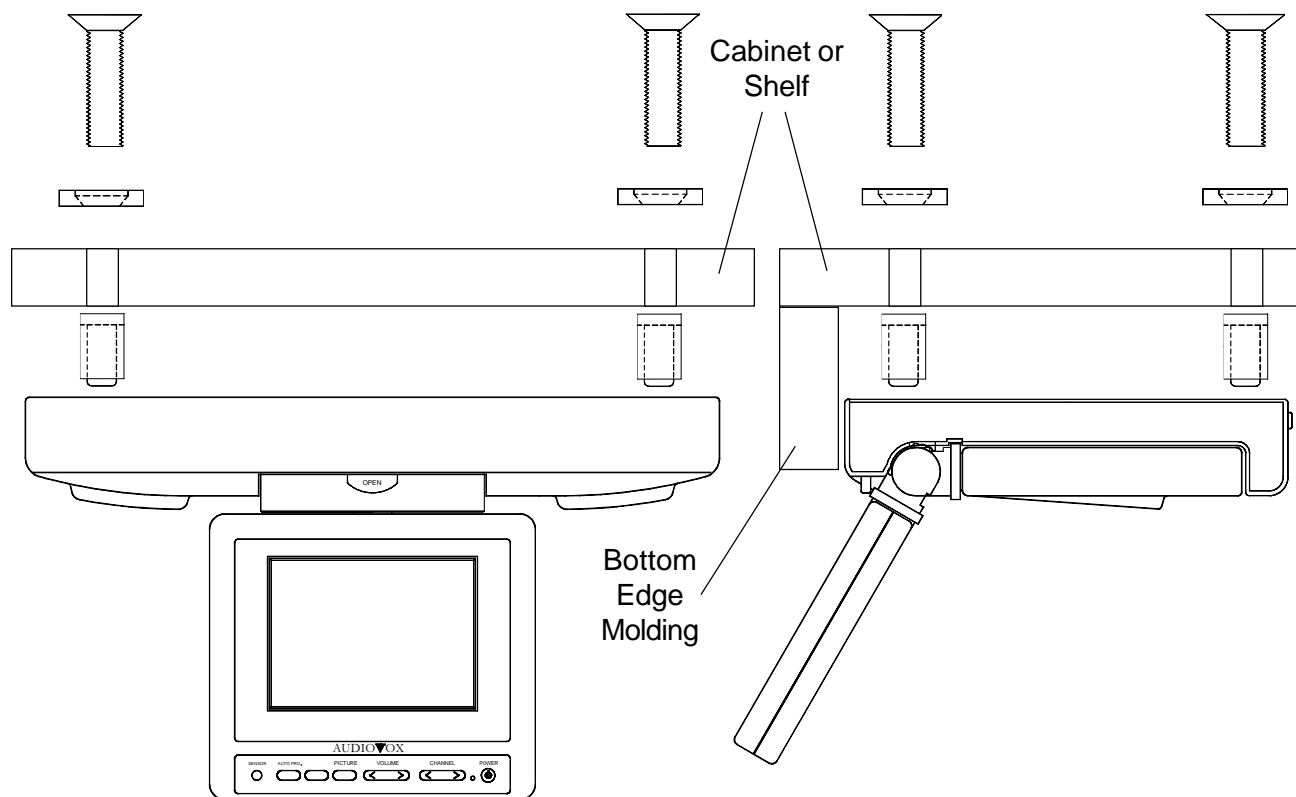
- 1 VE500A 5-Inch Television (P/N 136D2179) (1)
- 2 Remote Control (P/N 136B2180) (1)
- 3 AC/DC Power Adapter 12V@1.5A (P/N 1541096) (1)
- 4 Mounting template (1)
- 5 Hardware Bag (P/N 1502177) (1)
 - A) 10 - 32 x 2 1/2 Mounting screws (P/N 1001896) (4)
 - B) 10 - 32 x 3/4 Mounting screws (P/N 1001897) (4)
 - C) 10 - 32 x 1 3/4 Mounting screws (P/N 1001898) (4)
 - D) 3/4" Spacer (P/N 1023316) (4)
 - E) 1/2" Spacer (P/N 1023317) (4)
 - F) 5/16" Spacer (P/N 1023318) (4)
 - G) Countersunk washer (P/N 1023319) (4)
 - H) Self Adhesive Wire mounting clip (P/N 1023320) (2)



TOOLS REQUIRED

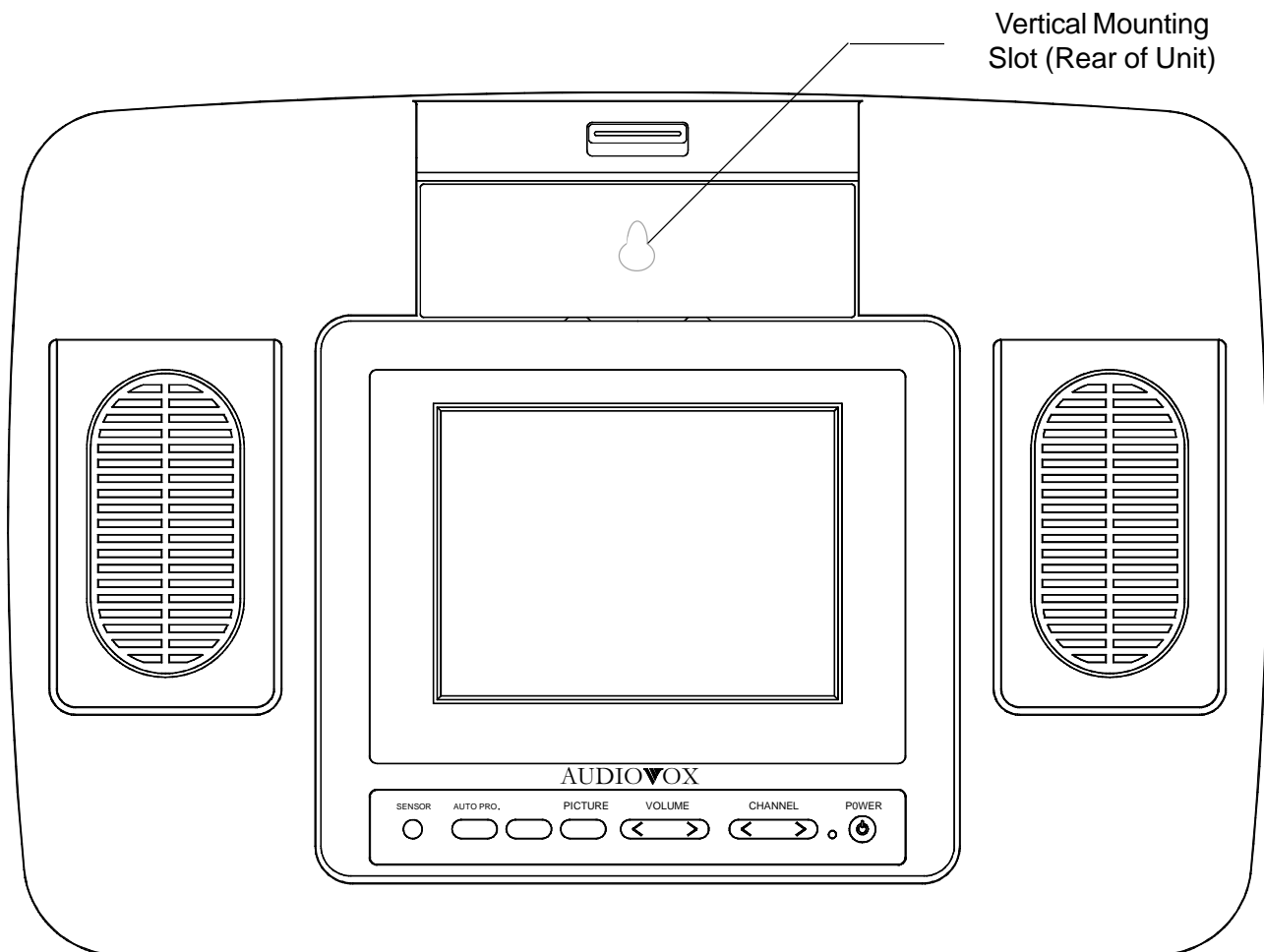
- Philips head screwdriver
- Centerpunch
- 1/4" Drill bit
- Electric Drill
- Adhesive Tape

UNDER CABINET INSTALLATION



- 1) Choose an appropriate mounting location underneath a cabinet or shelf. Close proximity to an electrical outlet and a TV antenna or cable connection will facilitate a neat, easy installation. Do not mount the VE-500A above a range or oven. Be sure that the location chosen will provide adequate access to the electrical connectors on the rear of the unit before continuing.
- 2) If the location chosen has bottom edge molding it may be necessary to use the mounting spacers provided to effectively lower the VE-500A's rotating screen below the molding. Measure the distance between the bottom of the molding and the bottom of the cabinet. A maximum measurement of 1.5" can be accommodated without using spacers. For larger moldings choose a combination of spacers which will reduce the mounting depth to 1.5" or less.
- 3) Measure the thickness of the bottom of the cabinet or shelf and the spacers chosen. Select the shortest screw length which will pass through the countersunk washer, kitchen cabinet and spacers with between 1/4" and 1 1/2" inches to spare
- 4) Cut out the template supplied and tape it in place onto the cabinet surface to be drilled. Center punch the four holes indicated on the template and remove the template.
- 5) Carefully drill four 1/4" holes at the locations marked above. Place the screws chosen through the countersunk washers and then through the holes from the top down.
- 6) Screw the appropriate spacers on to the screws first, then position the VE-500A and screw it in place using its threaded holes.
- 7) Plug the AC Power adapter into a nearby electrical outlet and into the receptacle marked DC 12v input at the rear of the VE-500A
- 8) Connect your TV antenna or cable system to the antenna connector on the rear of the VE-500A.
- 9) Route the wires safely away from heat and moisture sources and secure them in place using the self adhesive wire mounting clip provided.

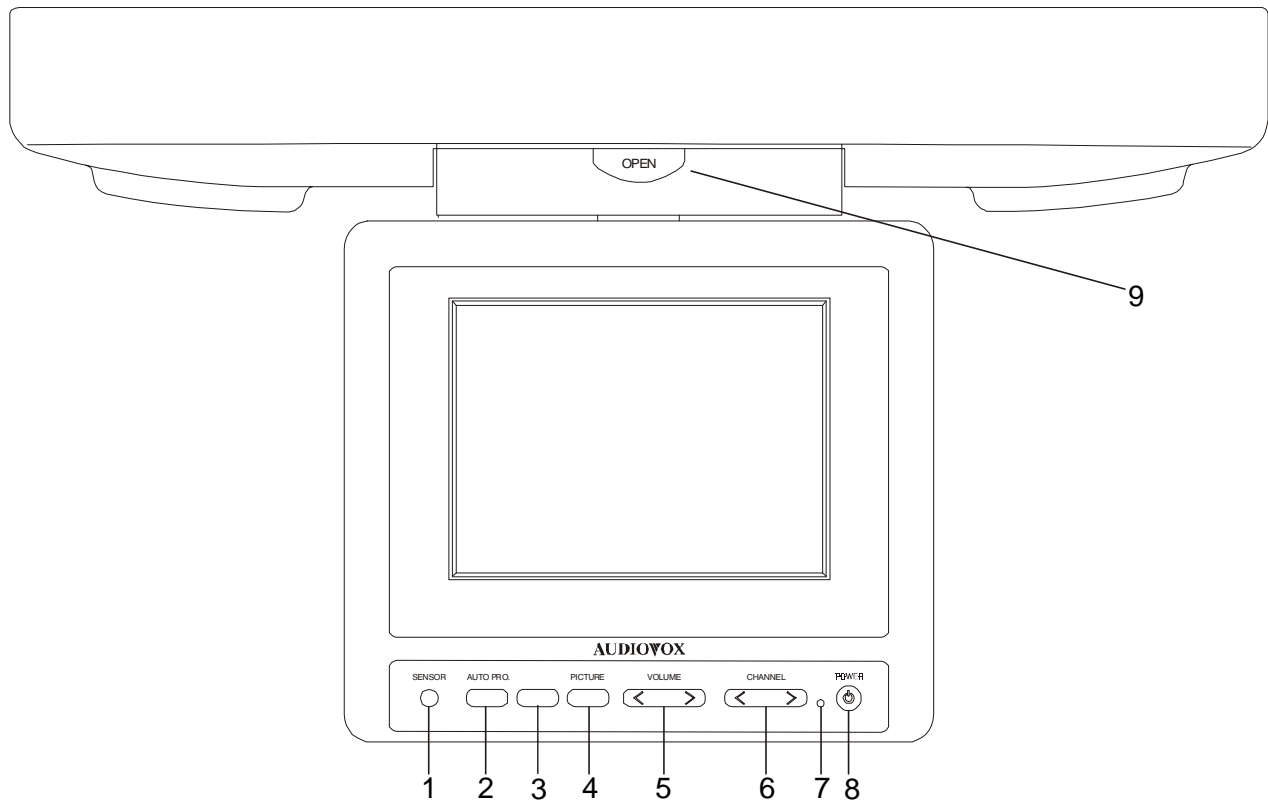
WALL MOUNT INSTALLATION



Do not attempt to install the VE-500A vertically, unless you are sure that the electric circuits in the chosen area have been turned off at the fuse or circuit panel. Failure to do this could result in electric shock.

- 1) When installing the VE-500A vertically, choose a mounting location at or close to eye level. Close proximity to an electrical outlet and a TV antenna or cable connection will facilitate a neat, easy installation.
- 2) Cut out the template provided and temporarily tape it to the wall at the desired location. Mark the center of the vertical mounting slot and remove the template.
- 3) Determine if a wall stud is present at the chosen location by drilling a 1/16" hole at the marked location. After penetrating the depth of the wall surface, observe whether or not a structural stud is present. Caution, if near electrical outlet, there is likely to be electrical wiring present.
- 4) If a structural stud is present, a suitable length drywall screw can be screwed directly into it. Leave approximately 1/4" of the screw protruding from the wall.
If there is no structural stud present, a drywall anchor from your local hardware store will be necessary. Remember to leave 1/4" of its screw head protruding from the wall.
- 5) Hang the VE-500A onto the screw head using the vertical mounting slot at the rear of the unit.
- 6) Plug the AC Power adapter into a nearby electrical outlet and into the receptacle marked DC 12v input on the bottom of the VE-500A.
- 8) Connect your TV antenna or cable system to the antenna connector on the bottom of the VE-500A.
- 9) Route the wires safely away from heat and moisture sources and secure them in place using the self adhesive wire mounting clip provided.

FRONT PANEL CONTROLS



1. REMOTE INFRARED SENSOR

This sensor receives signals from the hand held remote control.

2. AUTO PROG. BUTTON

This button is used to program active TV stations into memory. Its operation duplicates the function of the AUTO MEMORY button on the remote control.

3. BLANK

This button not used.

4. PICTURE BUTTON

This button allows setting of the picture Tint, Contrast, Brightness and Color. Its operation duplicates the PICTURE SELECT button on the remote control unit.

5. VOLUME UP/DOWN BUTTONS

Press to increase or decrease the TV sound level.

6. CHANNEL UP/DOWN BUTTONS

These buttons are used to change the channel or make adjustments to the picture quality. Their operation duplicates the CHANNEL UP/DOWN button on the remote control unit.

7. LED POWER INDICATOR

Illuminates whenever power is applied to the VE-500A

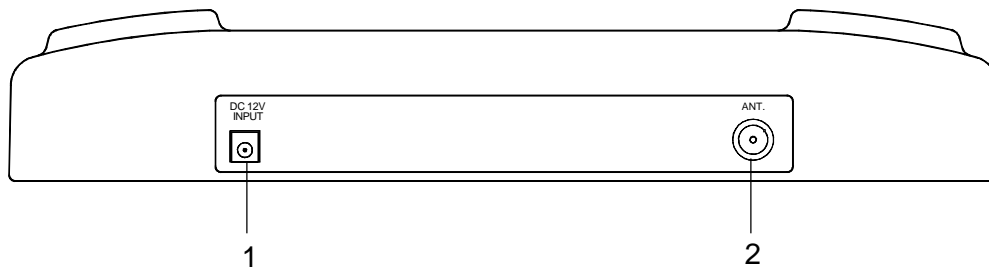
8. POWER BUTTON

This button will alternately turn the VE-500A on or off.

9. SCREEN RELEASE BUTTON

This button will release the screen from its closed position, which allows you to lower it to a comfortable viewing position.

REAR PANEL CONNECTIONS



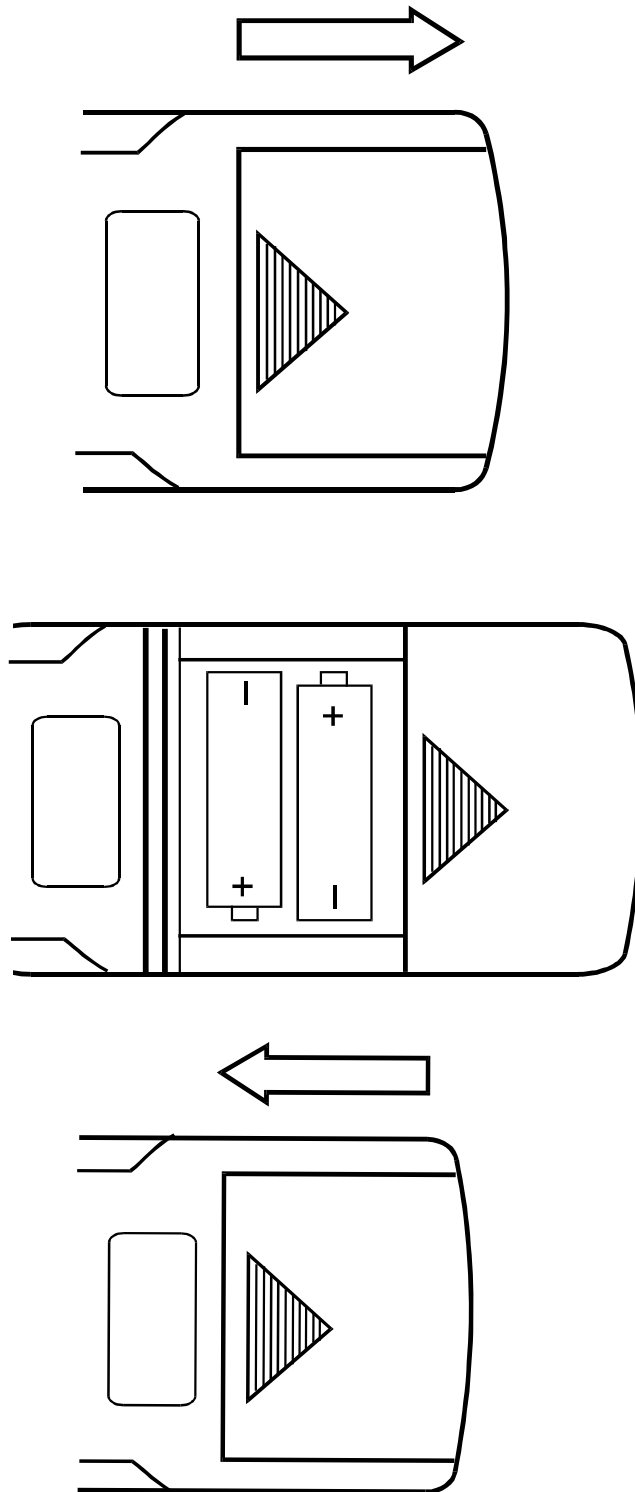
1) 12V DC INPUT

Connect to power adapter supplied with VE-500A.

2) ANTENNA CONNECTOR

Connect to antenna or cable system.

BATTERY INSTALLATION

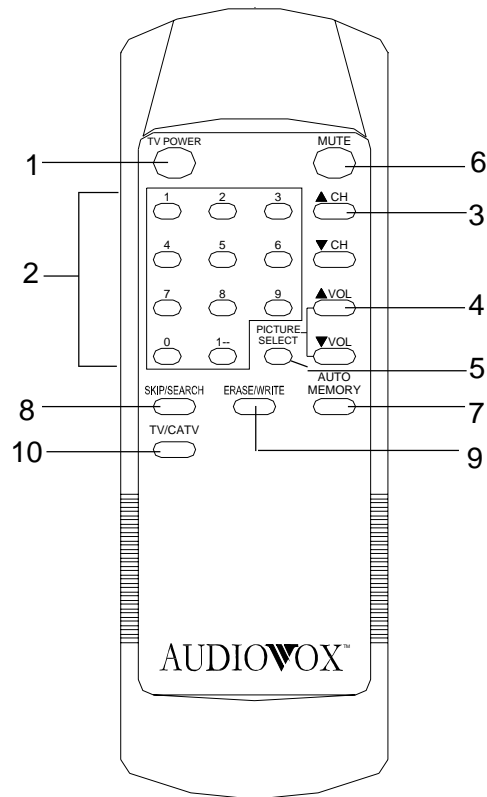


- 1) Turn the Remote Control face down. Press down on the ridged area of the battery cover and slide it off.
- 2) Install the two “AAA” batteries included as shown. Make sure that proper polarity (+ or -) is observed.
- 3) Slide the cover back until it clicks.

OPERATION

The remote control will operate Audiovox Televisions. It is not a universal remote control and will not control equipment from other manufacturers.

If a universal remote control is to be used with the VE-500A, choose the remote encoding scheme for Action Televisions when programming the remote.



POSITIONING THE SCREEN

Pushing the screen release forward will unlock the screen and it will swing downward. Pivot the screen forward until a comfortable viewing angle is reached. The screen may also be rotated from side to side. Do not force the screen beyond its rotational limit of 15 degrees. Once a comfortable position has been found, the internal detents will hold the screen in this position. The VE-500A is now ready for use. In vertical mount applications it is not necessary to release and position the screen. Pressing the power button on the TV or the remote will turn the system on or off. Remember to turn the unit off and pivot the screen to the locked position when not in use.

REMOTE CONTROL FUNCTIONS

1. POWER ON/OFF

Press this button to turn on the TV. The channel number or current video source will be displayed on screen, and the picture will appear in a few seconds. Press the button again to turn the TV off.

2. NUMERICAL BUTTONS

Use these buttons to make a direct channel selection. The channel number chosen will be displayed on the screen for 4 seconds. Channel selection is carried out with 0-9 keys (0-99ch) and "1—" key when in cable mode (100-125ch).

3. CHANNEL UP/DOWN BUTTONS

Use these buttons to advance to the next higher or lower channel.

4. VOLUME UP/DOWN BUTTONS

Use these buttons to raise or lower the sound level. They are also used to make picture adjustments in picture selector mode.

5. PICTURE SELECT BUTTON

Each time this button is pressed, the on screen picture adjustment display cycles through "adjustment bars" for CONTRAST, BRIGHTNESS, COLOR and TINT. Once the desired adjustment bar is displayed, use the VOLUME UP/DOWN buttons to adjust the setting. The display will automatically turn off if no adjustments are made within 6 seconds, or if any other button is depressed.

6. MUTE BUTTON

Press this button to cut off all sound. The screen will display the volume adjustment bar for 6 seconds, indicating that the sound has been turned off. Pressing the button again restores sound to the previously set level. The mute feature may also be released by pressing the VOLUME UP/DOWN BUTTONS.

7. AUTO MEMORY BUTTON

When the AUTO MEMORY button is depressed, all channels in TV or CATV mode are searched and tuned and all the channels with signals detected are automatically stored.

8. SKIP/SEARCH BUTTON

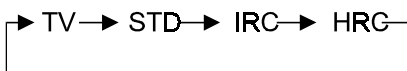
This button selects between SKIP and SEARCH mode. In "SKIP mode" the TV only stops on channels that are programmed into memory when the CHANNEL UP/DOWN buttons are used. When SKIP mode is off, the TV is in search mode and will stop on all active channels.

9. ERASE/WRITE BUTTON

When tuned to a channel, press this button to store or erase the channel from memory. The stored channel numbers are displayed in "GREEN" on the screen, and the non-stored channel numbers are in "RED". When using the CHANNEL UP/DOWN buttons, with the skip mode on, the VE-500A will tune only to the stored channels .

10. TV/CATV BUTTON

Used to select regular 69 channel Broadcast TV (TV) or 125 Channel Cable TV (STD), (HRC) Cable, or (IRC) Cable.



CHANNEL TUNING SET UP

In addition to normal broadcast reception of VHF and UHF channels, if you are a Cable TV subscriber, your new VE500A is capable of receiving many unscrambled Cable channels without the use of a converter box. When set to Broadcast TV it receives CH2-CH69. When set to one of the CATV modes (STD, HRC, or IRC) it receives CH1-CH125. Follow this simple procedure to make channel tuning more convenient.

1. Use the TV/CATV button on the Remote Control to select the broadcast system appropriate for your home. The system selected will be displayed on the screen. If you have an external roof mounted or rabbit ear antenna, select "TV," if you have CABLE TV, select either "STD", "HRC" or IRC ("STD" is used by the majority of Cable Systems. Check with your cable system operator).
2. Press the AUTO MEMORY button on the Remote Control Unit or the TV. You will see the TV cycle through all channels. The built-in Microprocessor will automatically store each channel that is actively broadcasting in your area.
3. To view only strong clear channels, press the SKIP/SEARCH button on the Remote Control Unit until "SKIP MODE ON" is displayed on the bottom of the screen. The TV will now tune only to strong, active channels, when the UP or DOWN buttons are used on the monitor or remote control.
To view a weak or marginal channel, press the SKIP/SEARCH button on the Remote Control Unit until "SKIP MODE OFF" is displayed on the bottom of the screen. Tune to the desired channel using the CHANNEL UP/DOWN button or go directly to the channel by direct access using the 0-9 buttons on the Remote Control.



4. To ERASE a channel, press the ERASE/WRITE button on the Remote Control Unit until "MANUAL MEMORY XX ERASE" is displayed on screen. To STORE a channel, press the button until "MANUAL MEMORY XX ADD" is displayed on screen.

TROUBLESHOOTING

Problem	Solution
Poor Reception	Verify Tuner setting matches Antenna / Cable broadcast system. Try other system types with the TV/CATV BUTTON of the remote control.
Remote control will not function	Verify that the sensor on the VE-500A is not obstructed. Verify that the infrared LED on the transmitter is not obstructed. Check the condition of the remote control batteries.
Black and White Reception	Verify Tuner setting matches Antenna / Cable broadcast system. Try other system types with the TV/CATV BUTTON of the remote control.
No output from +12v Output jack	Verify that load current draw is less than 300 mA.

NOTE: Due to the nature of TV signals, distance from nearby transmitter, nearby surroundings and weather may adversely affect TV reception. Results of these conditions may result in the following: picture roll, poor reception (snowy picture) and momentary loss of color (especially when the vehicle is in motion).

TECHNICAL SPECIFICATIONS

Illumination:	Edge Light Tube
Backlighting Life Expectancy:	10,000 Hrs.
Pixels:	224,640
Resolution:	960 X 234
Power Supply:	12 Volts + or - 10% @1.3-1.5 A
Operating Temperature:	0° - 40°C
Storage Temperature:	-20° - 80°C
Sensitivity:	35 db
Video System:	NTSC
Audio output:	1.5W @ 4w

This Page intentionally left blank



AUDIOVOX
ELECTRONICS CORP.

90 DAY LIMITED WARRANTY

Applies to Audiovox Video Products

AUDIOVOX ELECTRONICS CORP. (the Company) warrants to the original retail purchaser of this product that should this product or any part thereof, under normal use and conditions, be proven defective in material or workmanship within 90 days from the date of original purchase, such defect(s) will be repaired or replaced with reconditioned product (at the Company's option) without charge for parts and repair labor.

To obtain repair or replacement within the terms of this Warranty, the product is to be delivered with proof of warranty coverage (e.g. dated bill of sale), specification of defect(s), transportation prepaid, to the Company at the address shown below.

This Warranty does not extend to the elimination of externally generated static or noise, to correction of antenna problems, to costs incurred for installation, removal or reinstallation of the product, or to damage to tapes, discs, speakers, accessories, or electrical systems.

This Warranty does not apply to any product or part thereof which, in the opinion of the Company, has suffered or been damaged through alteration, improper installation, mishandling, misuse, neglect, accident, or by removal or defacement of the factory serial number/bar code label(s). **THE EXTENT OF THE COMPANY'S LIABILITY UNDER THIS WARRANTY IS LIMITED TO THE REPAIR OR REPLACEMENT PROVIDED ABOVE AND, IN NO EVENT, SHALL THE COMPANY'S LIABILITY EXCEED THE PURCHASE PRICE PAID BY PURCHASER FOR THE PRODUCT.**

This Warranty is in lieu of all other express warranties or liabilities. **ANY IMPLIED WARRANTIES, INCLUDING ANY IMPLIED WARRANTY OF MERCHANTABILITY, SHALL BE LIMITED TO THE DURATION OF THIS WRITTEN WARRANTY. ANY ACTION FOR BREACH OF ANY WARRANTY HEREUNDER INCLUDING ANY IMPLIED WARRANTY OF MERCHANTABILITY MUST BE BROUGHT WITHIN A PERIOD OF 30 MONTHS FROM DATE OF ORIGINAL PURCHASE. IN NO CASE SHALL THE COMPANY BE LIABLE FOR ANY CONSEQUENTIAL OR INCIDENTAL DAMAGES FOR BREACH OF THIS OR ANY OTHER WARRANTY, EXPRESS OR IMPLIED, WHATSOEVER.** No person or representative is authorized to assume for the Company any liability other than expressed herein in connection with the sale of this product.

Some states do not allow limitations on how long an implied warranty lasts or the exclusion or limitation of incidental or consequential damage so the above limitations or exclusions may not apply to you. This Warranty gives you specific legal rights and you may also have other rights which vary from state to state.¶

U.S.A. : AUDIOVOX ELECTRONICS CORP. 150 MARCUS BLVD., HAUPPAUGE, NEW YORK 11788 1-800-645-4994

CANADA : CALL 1-800-645-4994 FOR LOCATION OF WARRANTY STATION SERVING YOUR AREA

USED ON

All items listed as "Expeditior Only"

128-6322A

Free Manuals Download Website

<http://myh66.com>

<http://usermanuals.us>

<http://www.somanuals.com>

<http://www.4manuals.cc>

<http://www.manual-lib.com>

<http://www.404manual.com>

<http://www.luxmanual.com>

<http://aubethermostatmanual.com>

Golf course search by state

<http://golfingnear.com>

Email search by domain

<http://emailbydomain.com>

Auto manuals search

<http://auto.somanuals.com>

TV manuals search

<http://tv.somanuals.com>