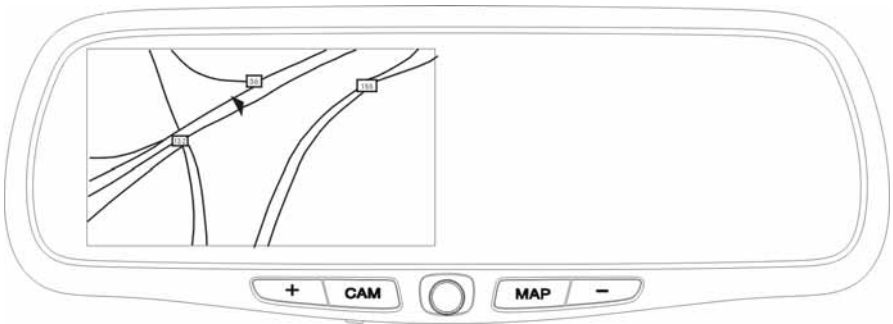




**Rearview Mirror with 4.5" Color LCD with
Navigation and 2 Camera inputs**

Model: LCMR5RP

Owner's Manual



Features:

- **Rearview Mirror with 4.5" LCD**
- **Rearview Camera Input**
- **Interior view Camera Input**
- **Navigation Input**
- **NTSC /PAL Camera Compatible**

This product must be installed and used only in accordance with these instructions. Any alteration of this product that enables it to be used in ways other than those stated in this manual could distract the driver and result in an accident or injury. **AUDIOVOX ELECTRONICS CORP. DISCLAIMS ANY LIABILITY THAT MAY RESULT FROM A FAILURE TO INSTALL AND OPERATE AS INDICATED IN THESE MANUALS.**

Warning: Backing up vehicle

Do not back up vehicle while watching the mirror/monitor screen. Always look in the direction of vehicle motion. Use the mirror/monitor as an aid in safety confirmation. The distance looks different in the monitor. The actual distance may be shorter than it looks in the monitor. The range of image is limited. Beware of blind spots.

Cautions

The product is intended to assist in safe driving and to allow the driver to have a broader rearview during reversing. You, as the driver, are solely responsible for the safe operation of your vehicle and the safety of your passengers according to the country and their local traffic regulations. Do not use any features of this system to the extent it distracts you from safe driving. Your first priority while driving should always be the safe operation of your vehicle. Audiovox Electronics Corp. cannot accept any responsibility whatsoever for accidents resulting from failure to observe these precautions or safety instructions.

TABLE OF CONTENTS

Cautions! -----	1
Functions -----	3
Operation -----	4
Maintenance -----	6

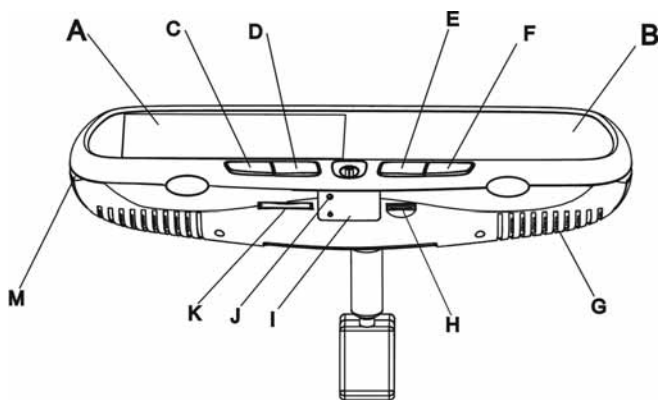


Figure 1

I. Functions

Figure 1 shows the function controls of the rear view mirror.

A: 4.5" LCD Panel

B: Rearview Mirror Glass

C: "+" Button (optional Navigation System required)

Incrementally increase volume level of the navigation voice command when pressed.

Note: Will only operate when the Navigation System remote control is removed from the cradle.

D: "CAM" Button

- If you have installed an optional interior view camera, pressing the CAM button will display the image from the interior view camera on the LCD panel. - If you do not have an interior view camera installed, but have installed a back up camera, then pressing the CAM button will display the image from the back up camera on the LCD panel.

- Either image will be displayed for as long as the CAM button is held on. As soon as the button is released, the LCD will automatically switch back to the original setting.

E: "MAP" Button (optional Navigation System required)

Each time the "MAP" button is pressed, the navigation display will toggle between Map, Icon only and split screen while in navigation mode.

Note: Will only operate when the Navigation System remote control is removed from the cradle.

F: "-" Button (optional Navigation System required)

Incrementally decrease volume level of the navigation voice command when pressed.

Note: Will only operate when the Navigation System remote control is removed from the cradle.

G: Internal Speaker

H: LCD Brightness Control

I: Internal Infra-RED Receiver for use with Navigation System Remote Control.

J: Power LED (Red when Power is on)

K: Display Timer Slide Control Switch : (optional Navigation System required)
Refer to Page 5 for detailed operation notes.

L: Internal Speaker Switch: Used to turn mirror speaker on/off. Move this switch to the Off position when using the external speaker interface included with the optional Navigation System.

II. Operation

The Mirror/monitor is automatically activated every time the Ignition key is turned on. The mirror/monitor turns off every time the Ignition is turned to the off position.

1. Rear Observation Camera (optional)

- A. If a rear observation camera has been installed, the monitor will automatically display the rear observation camera image whenever the vehicle is shifted into reverse gear. The rear observation camera image turns off automatically any time the gear selector is moved out of the reverse position.
- B. If you do not have an optional interior view camera installed, pressing the “CAM” button at any time will display the image from the rear observation camera onto the LCD for as long as the “CAM” button is held.

2. Interior View Camera (optional)

- A. If an interior view camera has been installed, pressing the “CAM” button at any time will display the image from the interior view camera onto the LCD for as long as the “CAM” button is held.

3. Navigation Image (optional Navigation System required)

The Navigation Image is the default mode, and will only be overridden when the vehicle gear selector is moved into reverse, or if the CAM button on the mirror is pressed.

Some operators may find that leaving the Navigation Image on the LCD monitor at all times becomes a distraction while operating their motor vehicle. For the convenience of those operators, a ‘Display Timer Slide Control Switch’ has been added to the mirror.

- A. When the Slide Control Switch is moved to the far right end position, the Navigation image will remain on at all times.
- B. When the Slide Control Switch is moved to the far left end position, the Navigation image will remain off at all times.

- C. Positioning the Slide Control Switch anywhere in the center area will automatically enable an internal timer. The timer is adjustable between 10 Seconds (further left) to 3 minutes (further right).
- D. When the Navigation System is in guidance mode, every time a turn-by-turn voice guidance command is received, the Navigation image will automatically turn on and remain on for the pre-selected time set by the Slide Switch. After the pre-set time has expired, the Navigation display will turn off and remain off until the next voice command is received.

HINT 1: When entering a new address into the Navigation Address Book, it will be easier to move the Slide Control Switch all the way to the right to keep the LCD display on until the address has been completed.

HINT 2: When in Timed Display Mode, you can press the “+” or “-“ button on the mirror to turn the Navigation image on for the full extent of the pre-set time.

4. LCD Monitor Brightness Control

The brightness adjustment control is on the bottom right of the rearview mirror.

Rotating the wheel to the right will decrease the brightness of the monitor.

Rotating the wheel to the left will increase the brightness of the monitor.

5. Disabling the internal speaker

Remove the L-Cover at the left end of the mirror using a Mini screwdriver (see Figure2), to gain access to the small switch inside. To disable the internal speaker, set the switch to the off position (See Figure3). Set the switch to the ON position to enable the internal speaker on (see Figure3).

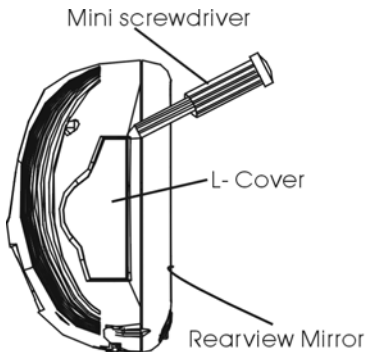


Figure2

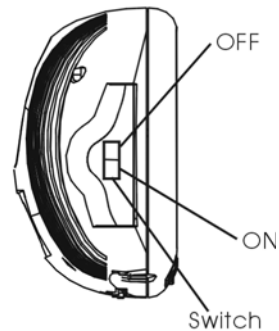


Figure3

III. Maintenance

- Though your Rearview mirror requires little care, you can still maintain its condition and performance by following the procedures below.
- Keep your system away from excessive moisture, extreme heat or cold, and magnetic fields.
- Keep liquids away from the display and mirror.
- To avoid damage, do not place external devices or other objects on the top of the mirror.
- Occasionally wipe the rearview mirror set with a soft, damp cloth.
- Occasionally clean the surface of the mirror with a soft cloth moistened with water or window cleaner.



For Customer Service
Visit Our Website At
www.audiovox.com
Product Information, Photos,
FAQ's Owner's Manuals

Free Manuals Download Website

<http://myh66.com>

<http://usermanuals.us>

<http://www.somanuals.com>

<http://www.4manuals.cc>

<http://www.manual-lib.com>

<http://www.404manual.com>

<http://www.luxmanual.com>

<http://aubethermostatmanual.com>

Golf course search by state

<http://golfingnear.com>

Email search by domain

<http://emailbydomain.com>

Auto manuals search

<http://auto.somanuals.com>

TV manuals search

<http://tv.somanuals.com>