

WHS100

Audiovox Wireless Infrared Headset System Installation Instructions

Parts supplied

1. IR transmitter (1)
2. IR Transmitter harness (1)
3. IR headphones (2)

Notes:

- For best results, IR transmitter must be installed as shown with the LED's pointing toward the rear of the vehicle (Fig. 1)
- Audio input can be connected to either a low-level fixed audio output or a variable level audio output (such as a speaker or headphone output). If it is connected to a low-level output, only the volume control on the headphones needs to be adjusted to control volume level. If connected to a variable level output, volume adjustment needs to be done at both the source and at the headphones.

Wire harness with RCA connectors (Fig. 2).

1. Using dual RCA (M/M) cable (not supplied, length determined by installation) connect one end to red and white RCA jacks. Connect the other end to low level signal source.
2. Connect pin 4 (black wire, negative) to ground of vehicle.
3. Connect pin 5 (red wire, +12 volt) to ignition source (source that supplies +12 volts when the ignition is switched on).

IR Transmitter

1. Plug wire harness into transmitter.
2. Remove lens on transmitter to expose screw holes (Fig. 3).
3. Fasten transmitter to headliner using two short screws (make sure that screws do not puncture metal of roof).

Wireless headphones

1. Follow directions in owner's manual for proper operation.

Fig. 1
TRANSMITTER POSITIONING DIAGRAM

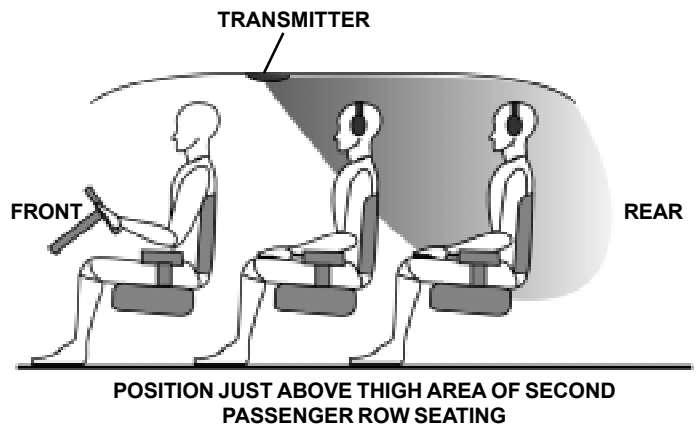


Fig. 2
WIRING DIAGRAM

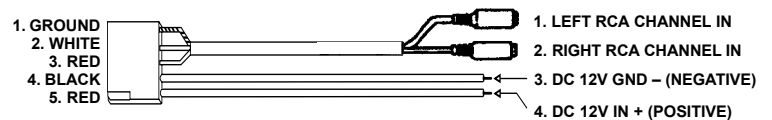
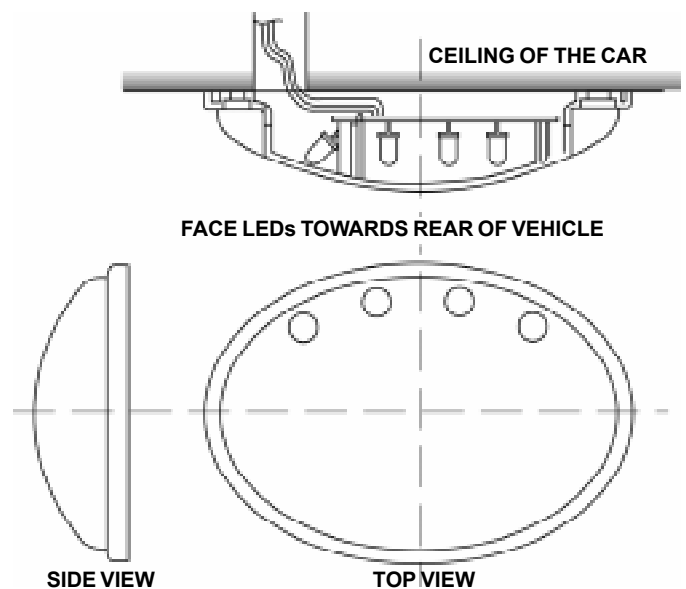


Fig. 3
IN-CAR TRANSMITTER



Free Manuals Download Website

<http://myh66.com>

<http://usermanuals.us>

<http://www.somanuals.com>

<http://www.4manuals.cc>

<http://www.manual-lib.com>

<http://www.404manual.com>

<http://www.luxmanual.com>

<http://aubethermostatmanual.com>

Golf course search by state

<http://golfingnear.com>

Email search by domain

<http://emailbydomain.com>

Auto manuals search

<http://auto.somanuals.com>

TV manuals search

<http://tv.somanuals.com>