



Some of the following information may not apply to your particular product; however, as with any electronic product, precautions should be observed during handling and use.

ENIE It is important to read this instruction prior to using your new product for the first time. Es importante leer este manual antes de usar por vez primera su equipo.

Before you begin

Unpacking your player You should have the following: One voice recorder One user manual One quick start guide One carrying case (for VR5330R only) Two AAA size batteries (For VR5330R only)

Turn off the player first before recharging batteries. If power interruption exceeds 20 seconds, date and time have to be set again.

Auto power shut down This player will be automatically turned off if left idle for three minutes.

Using earphones and external microphone When earphones are connected, sound output from speaker will be muted. When external microphone is connected, no recording can be made from built-in microphone.

Installing batteries This player can be operated by 2 "AAA" batteries (included). Slide the battery compartment door to open. Insert the two supplied "AAA" batteries with polarities matching indications.

Refer to the battery level indicator on display for battery's level. Replace with new batteries when the indicator is empty.

Player on/off Press on [] to turn on the player. Press off [] to turn off the player.

Keys lock To avoid accidental key selection, slide the key lock selector toward the lock icon [] to lock the keys. Reverse the step to unlock them.

Basic operations

Selecting folders and files To select folders: Press and hold info menu for about 2 seconds and then release the button. The first menu item FOLDER flashes on the display.

Press and hold [] or [] to make quick search within a file. Quick search skips by second within the first minute of a recording.

To display file information: Press info menu repeatedly to show various information of the current file.

To play back recorded files: Select a folder and a file. Press [] to start playback. Press [] to pause playback, press again to resume.

Erasing files and bookmarks

Erasing mode To erase files or bookmarks, which LOCK is stopped: Press [] once. Press [] to select one of the erasing options.

File numbers that come after erased one will be moved forward by one automatically. Press [] to cancel erasing all files. The undeleted files are saved automatically.

Formatting the internal memory will be required when: The flash memory becomes unstable after performing many times on file creation and deletion.

Advanced operations

Tones To activate or deactivate the beep sound when any key is pressed (except during playback and recording): Press and hold info menu for about 2 seconds and then release the button.

Speed To adjust the playback speed: Press and hold info menu for about 2 seconds and then release the button. The first menu item FOLDER flashes on the display.

Connecting to computer

Computer system requirements PC with Windows® 7, Windows® Vista or Windows® XP (Service Pack 1 or higher) or Windows® 2000 (Service Pack 3 or higher). Mac OS is NOT supported.

Mac OS version (i.e. Mac OS X version 10.4.11 or later) can support the mass storage mode only for listening audio files (recorded in HQ mode under "WAV" format) through the Mac audio program (eg. Quicktime).

Using Digital Voice Manager

Transfer files with Digital Voice Manager Your player is associated with a drive letter. You can drag the voice files you want to transfer to your player to the A/B/C/D folder in the drive.

Using your player as a file storage device The player can function as a detachable data storage device. You can take along your favorite pictures and documents wherever you go.

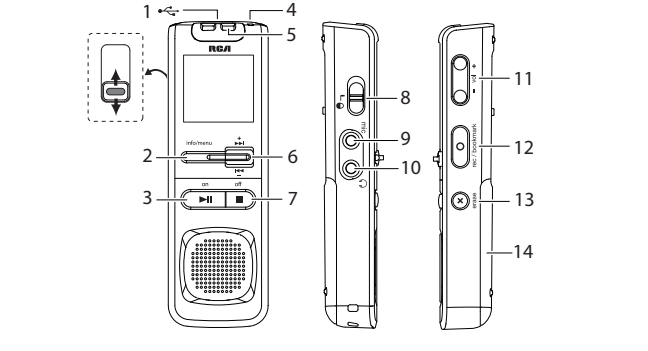
You can also drag the voice files you want to transfer from the A/B/C/D folder in the drive to your computer.

Do not rename, delete and transfer (drag-and-drop) voice files to your player directly in Windows Explorer. Use the Digital Voice Manager to rename, delete and transfer voice files.

Disconnecting from computer

After you have copied files to or from the player, you can disconnect the player from the computer. Click the [] icon from the System Tray and select Unplug or Eject hardware. Select the drive corresponding to your player.

General controls



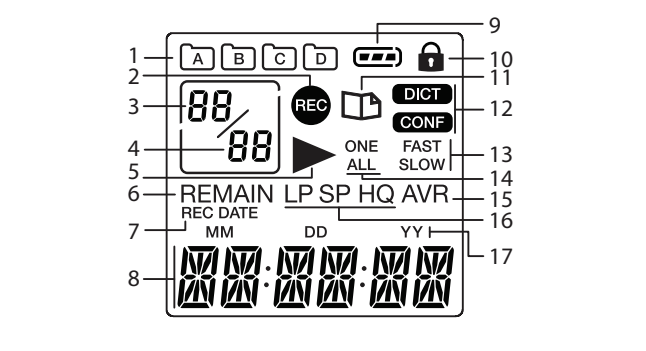
- 1. USB connector - Press the button on the back and then slide to extend or retract the connector. 2. info menu - Press and hold to access the player menu. 3. Press repeatedly to show information of current file. 4. on [] - Press the button to turn player on, start/pause playback. 5. Recording indicator. 6. + [] / - [] - Skips / searches backward or forward, selects / browses in the player menu. 7. off [] - Turns off player, stops playback or recording. 8. Key lock selector. 9. External microphone jack. 10. External earphones jack. 11. + [] - Adjusts volume, selects / browses in the player menu. 12. [] - Starts and pauses recording, inserts bookmarks. 13. x, erase [] - Erases files, bookmarks or format memory. 14. Battery compartment door.

Important battery precautions

Any battery may present a risk of fire, explosion, or chemical burn if abused. Do not try to charge a battery that is not intended to be recharged, do not puncture. Non-rechargeable batteries, such as alkaline batteries, may leak if left in your product for a long period of time.

Important battery precautions: Do not use the unit immediately after transportation from a cold place to a warm place; condensation problems may result. Do not store the unit near fire, places with high temperature or in direct sunlight.

Display



- 1. Folder (A/B/C/D) 2. Recording in progress 3. File selected 4. Total number of files in a folder 5. Playback in progress 6. Remaining time for recording 7. Recording date 8. Area for displaying messages (refer to the next section) 9. Battery level indicator 10. Key lock function activated 11. Bookmarks 12. Recording conditions 13. Playback speed 14. Playback mode: play one or play all 15. Automatic voice recording activated 16. Recording quality 17. Month (MM), Day (DD) and Year (YY) 18. Key lock function activated 19. Recording conditions 20. Playback speed 21. Playback mode: play one or play all 22. Automatic voice recording activated 23. Recording quality 24. Month (MM), Day (DD) and Year (YY)

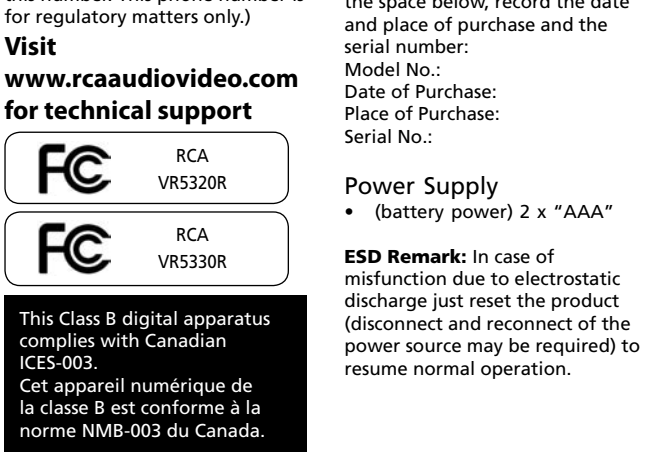
Headset safety

To use a headset safely, please keep the following in mind: Do not play your headset at a high volume. Hearing experts advise against continuous extended play.

FCC Information Note: This equipment has been tested and found to comply with the limits for a Class B digital device, pursuant to Part 15 of FCC Rules. These limits are designed to provide reasonable protection against harmful interference in a residential installation.

Service information

This product should be serviced only by those specially trained in appropriate servicing techniques. For instructions on how to obtain service, refer to the warranty included in this user manual.



General controls

Player controls

Display

Display messages

Setting day and time

Basic operations

Player menu

Recording

Setting recording quality

Setting recording condition

To access the player menu: Press and hold info menu for about 2 seconds and then release the button. The first menu item FOLDER flashes on the display.

To change settings in the menu: In the player menu, press info menu repeatedly to view the following menu items: Folder (A/B/C/D) Record conditions (DICT/CONF) Record quality (LP/SP/HQ) AVR (on/off) Playback speed (FAST/SLOW) Playback mode (one/all) Tone (on/off) Year

Setting recording mode Manual Recording: 1. While playback is stopped, select a destination folder (A/B/C/D) (refer to "Basic operations"). Press [] to start recording. (recording time will be displayed once you press the button)

During recording, the recording indicator stays on. When in AVR standby mode or when recording is paused, the recording indicator flashes.

For conferences, to obtain optimum recording quality, place the recorder with the microphone freely exposed to the sound source as close as convenient.

Erasing files and bookmarks

Editing

Bookmark

Append

Cut

To erase files or bookmarks, which LOCK is stopped: Press [] once. Press [] to select one of the erasing options. Delete the current file (DEL [])

CAUTION The edit function does not operate when battery power is too low. Make sure sure PLAY ALL files is not selected. Inserting new segments, adding appendix and cutting cannot be performed when PLAY ALL files is selected.

To create bookmarks: Once [] is pressed (refer to step 4 in the section "Editing mode"), the bookmark icon flashes and a newly created bookmark number shows on the display.

To insert an appendix at the end of the current file: Once [] is pressed (refer to step 4 in the section "Editing mode"), the REC icon shows and recording of appendix is started.

To erase unwanted parts from the current file: Start playback of the desired file. Press [] to mark the start of the unwanted part, CUT-S shows on display.

Advanced operations

Connecting to computer

Using Digital Voice Manager

Speed To adjust the playback speed: Press and hold info menu for about 2 seconds and then release the button. The first menu item FOLDER flashes on the display.

Computer system requirements PC with Windows® 7, Windows® Vista or Windows® XP (Service Pack 1 or higher) or Windows® 2000 (Service Pack 3 or higher). Mac OS is NOT supported.

Launching the software To launch the software, click Start, select All Programs, select RCA Digital Voice Recorder, then select RCA Digital Voice Manager.

Playback and editing operations To organize your files, click the corresponding buttons to cut, delete, copy and paste a file (or by drag and drop).

Creating wave file Self-executable file may be blocked by some e-mail filters. When recordings are made in LP or SP Quality, you may select to create wave file if you want to send your recorded messages by e-mail.

Connecting to computer

Disconnecting from computer

Troubleshooting tips

Extending the USB connector on the player and connect it to your computer's USB port. PCLINK shows on the player's display. The player appears as a removable drive in your computer.

Now you can disconnect the player from the computer. If you want to go back to USB mode for file transfer at this stage, you need to unplug and connect the player to the PC again.

Player doesn't turn on Check that batteries are properly inserted and not exhausted. Make sure battery compartment door is properly closed.

Using Digital Voice Manager

Disconnecting from computer

Troubleshooting tips

Transfer files with Digital Voice Manager Your player is associated with a drive letter. You can drag the voice files you want to transfer to your player to the A/B/C/D folder in the drive.

After you have copied files to or from the player, you can disconnect the player from the computer. Click the [] icon from the System Tray and select Unplug or Eject hardware.

Display keeps flashing when player is off You may not have set the time. Refer to section "Setting date and time".

You can also drag the voice files you want to transfer from the A/B/C/D folder in the drive to your computer.

Cannot record This player does not record mp3 format. Make sure LOCK function is not activated.

Cannot activate the player after pressing on keys Remove the batteries to reset the player.

Cannot stop recording when AVR ON If AVR ON sensitivity is set to HIGH, recording may not be stopped in noisy environment. Try setting the sensitivity to LOW.

Disconnecting from computer

Troubleshooting tips

Do not rename, delete and transfer (drag-and-drop) voice files to your player directly in Windows Explorer. Use the Digital Voice Manager to rename, delete and transfer voice files.

Cannot perform playback This player does not play mp3 format. Make sure you have selected folder with recorded messages.

Warranty information

Warranty information

12 Month Limited Warranty Applies to RCA Voice Recorders AUDIOVOX ACCESSORIES CORP. (the Company) warrants to the original retail purchaser of this product that, for the duration of 12 months from the date of original purchase, such defects will be repaired or replaced with a new or reconditioned product at the Company's option without charge for parts and repair labor.

representative is authorized to assume for the Company any liability other than that expressed herein in connection with the sale of this product. Some states do not allow limitations on how long an implied warranty lasts or the exclusion or limitation of incidental or consequential damage so the above limitations may not apply to you.

When the player is in Menu mode, during playback or recording, a connection between the player and the computer will not be established. Quit the above modes before connecting to the computer.

Cannot erase recorded file(s) Make sure you follow each step under section "Erasing files and bookmarks" carefully.

Illustrations contained within this publication are for representation only and subject to change. The descriptions and characteristics given in this document are given as a general indication and not as a guarantee. In order to provide the highest quality product, we reserve the right to make any improvement or modification without prior notice.

Free Manuals Download Website

<http://myh66.com>

<http://usermanuals.us>

<http://www.somanuals.com>

<http://www.4manuals.cc>

<http://www.manual-lib.com>

<http://www.404manual.com>

<http://www.luxmanual.com>

<http://aubethermostatmanual.com>

Golf course search by state

<http://golfingnear.com>

Email search by domain

<http://emailbydomain.com>

Auto manuals search

<http://auto.somanuals.com>

TV manuals search

<http://tv.somanuals.com>