

# Service Manual



DEH-1630R/XU/EW

ORDER NO.  
**CRT3174**

HIGH POWER CD PLAYER WITH RDS TUNER

# DEH-1630R

XU/EW

DEH-1600R XU/EW

DEH-1600RB XU/EW

This service manual should be used together with the following manual(s):

Model No.	Order No.	Mech.Module	Remarks
CX-3110	CRT3178	S10.1	CD Mech. Module : Circuit Description, Mech. Description, Disassembly



For details, refer to "Important symbols for good services".

# SAFETY INFORMATION

This service manual is intended for qualified service technicians; it is not meant for the casual do-it-yourselfer. Qualified technicians have the necessary test equipment and tools, and have been trained to properly and safely repair complex products such as those covered by this manual. Improperly performed repairs can adversely affect the safety and reliability of the product and may void the warranty. If you are not qualified to perform the repair of this product properly and safely, you should not risk trying to do so and refer the repair to a qualified service technician.

## 1. Safety Precautions for those who Service this Unit.

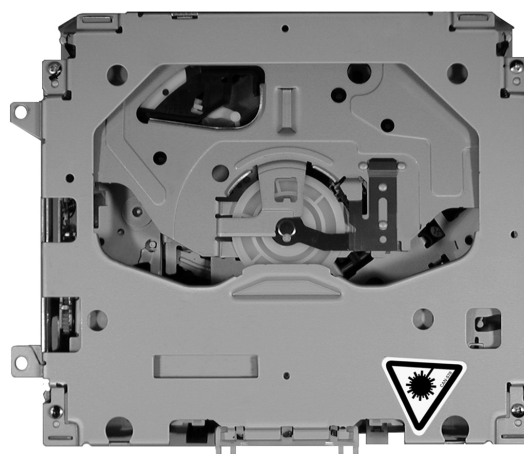
- When checking or adjusting the emitting power of the laser diode exercise caution in order to get safe, reliable results.

### Caution:

1. During repair or tests, minimum distance of 13cm from the focus lens must be kept.
2. During repair or tests, do not view laser beam for 10 seconds or longer.

2. A "CLASS 1 LASER PRODUCT" label is affixed to the bottom of the player.

3. The triangular label is attached to the mechanism unit frame.



## 4. Specifications of Laser Diode

Specifications of laser radiation fields to which human access is possible during service.  
Wavelength = 800 nanometers

### ● CD Section Precaution



1. Before disassembling the unit, be sure to turn off the power. Unplugging and plugging the connectors during power-on mode may damage the ICs inside the unit.
2. To protect the pickup unit from electrostatic discharge during servicing, take an appropriate treatment (shorting-solder) by referring to "the DISASSEMBLY" on page 44.
3. After replacing the pickup unit, be sure to check the grating. (See p.41.)
4. In this product, because the memory capacity of the microcomputer is insufficient, the test mode is not installed. However grating of the pickup unit can be confirmed.

**[ Important symbols for good services ]**

In this manual, the symbols shown-below indicate that adjustments, settings or cleaning should be made securely. When you find the procedures bearing any of the symbols, be sure to fulfill them:

**1. Product safety**

You should conform to the regulations governing the product (safety, radio and noise, and other regulations), and should keep the safety during servicing by following the safety instructions described in this manual.

**2. Adjustments**

To keep the original performances of the product, optimum adjustments or specification confirmation is indispensable. In accordance with the procedures or instructions described in this manual, adjustments should be performed.

**3. Cleaning**

For optical pickups, tape-deck heads, lenses and mirrors used in projection monitors, and other parts requiring cleaning, proper cleaning should be performed to restore their performances.

**4. Shipping mode and shipping screws**

To protect the product from damages or failures that may be caused during transit, the shipping mode should be set or the shipping screws should be installed before shipping out in accordance with this manual, if necessary.

**5. Lubricants, glues, and replacement parts**

Appropriately applying grease or glue can maintain the product performances. But improper lubrication or applying glue may lead to failures or troubles in the product. By following the instructions in this manual, be sure to apply the prescribed grease or glue to proper portions by the appropriate amount. For replacement parts or tools, the prescribed ones should be used.

**COMPACT**  
**disc**  
**DIGITAL AUDIO**

# CONTENTS

	SAFETY INFORMATION .....	2
A	1. SPECIFICATIONS .....	5
	2. EXPLODED VIEWS AND PARTS LIST .....	6
	2.1 PACKING .....	6
	2.2 EXTERIOR.....	8
	2.3 CD MECHANISM MODULE.....	12
	3. BLOCK DIAGRAM AND SCHEMATIC DIAGRAM .....	14
	3.1 BLOCK DIAGRAM .....	14
	3.2 OVERALL CONNECTION DIAGRAM(GUIDE PAGE).....	16
	3.3 KEYBOARD UNIT .....	22
	3.4 CD MECHANISM MODULE.....	24
	4. PCB CONNECTION DIAGRAM .....	28
	4.1 TUNER AMP UNIT.....	28
B	4.2 KEYBOARD UNIT .....	32
	4.3 CD MECHANISM MODULE.....	34
	5. ELECTRICAL PARTS LIST .....	36
	6. ADJUSTMENT .....	40
	6.1 CD ADJUSTMENT.....	40
	6.2 CHECKING THE GRATING AFTER CHANGING THE PICKUP UNIT .....	41
	6.3 ERROR MODE .....	43
	7. GENERAL INFORMATION .....	44
	7.1 DIAGNOSIS .....	44
	7.1.1 DISASSEMBLY .....	44
	7.1.2 CONNECTOR FUNCTION DESCRIPTION.....	48
	7.2 PARTS.....	49
C	7.2.1 IC .....	49
	7.2.2 DISPLAY .....	56
	7.3 OPERATIONAL FLOW CHART .....	58
	7.4 CLEANING.....	59
	8. OPERATIONS .....	60

# 1. SPECIFICATIONS

## General

Power source .....	14.4 V DC (10.8 – 15.1 V allowable)
Grounding system .....	Negative type
Max. current consumption .....	10.0 A
Backup current .....	3 mA or less
Dimensions (W × H × D):	
Chassis .....	178 × 50 × 157 mm
Nose .....	188 × 58 × 19 mm
Weight .....	1.3 kg

## Audio

Maximum power output .....	45 W × 4
Continuous power output ...	25 W × 4 (DIN 45324, +B=14.4 V)
Load impedance .....	4 Ω (4 – 8 Ω allowable)
Preout max output level/output impedance .....	2.2 V/1 kΩ
Equalizer (3-Band Parametric Equalizer):	
Low	
Frequency .....	40/80/100/160 Hz
Q Factor .....	0.35/0.59/0.95/1.15 (+6 dB when boosted)
Gain .....	±12dB
Mid	
Frequency .....	200/500/1k/2k Hz
Q Factor .....	0.35/0.59/0.95/1.15 (+6 dB when boosted)
Gain .....	±12dB
High	
Frequency .....	3.15k/8k/10k/12.5k Hz
Q Factor .....	0.35/0.59/0.95/1.15 (+6 dB when boosted)
Gain .....	±12dB
Loudness contour	
Low .....	+3.5 dB (100 Hz), +3 dB (10 kHz)
Mid .....	+10 dB (100 Hz), +6.5 dB (10 kHz)
High .....	+11 dB (100 Hz), +11 dB (10 kHz) (volume: -30 dB)

## CD player

System .....	Compact disc audio system
Usable discs .....	Compact disc
Signal format:	
Sampling frequency .....	44.1 kHz

Number of quantization bits .....	16; linear
Frequency characteristics ...	5 – 20,000 Hz (±1 dB)
Signal-to-noise ratio .....	94 dB (1 kHz) (IEC-A network)
Dynamic range .....	92 dB (1 kHz)
Number of channels .....	2 (stereo)

## FM tuner

Frequency range .....	87.5 – 108.0 MHz
Usable sensitivity .....	8 dBf (0.7 μV/75 Ω, mono, S/N: 30 dB)
50 dB quieting sensitivity .....	10 dBf (0.9 μV/75 Ω, mono)
Signal-to-noise ratio .....	75 dB (IEC-A network)
Distortion .....	0.3 % (at 65 dBf, 1 kHz, stereo) 0.1 % (at 65 dBf, 1 kHz, mono)
Frequency response .....	30 – 15,000 Hz (±3 dB)
Stereo separation .....	45 dB (at 65 dBf, 1 kHz)
Selectivity .....	80 dB (±200 kHz)

## MW tuner

Frequency range .....	531 – 1,602 kHz (9 kHz)
Usable sensitivity .....	18 μV (S/N: 20 dB)
Signal-to-noise ratio .....	65 dB (IEC-A network)

## LW tuner

Frequency range .....	153 – 281 kHz
Usable sensitivity .....	30 μV (S/N: 20 dB)
Signal-to-noise ratio .....	65 dB (IEC-A network)

## Note

Specifications and the design are subject to possible modifications without notice due to improvements. ■

## 2. EXPLODED VIEWS AND PARTS LIST

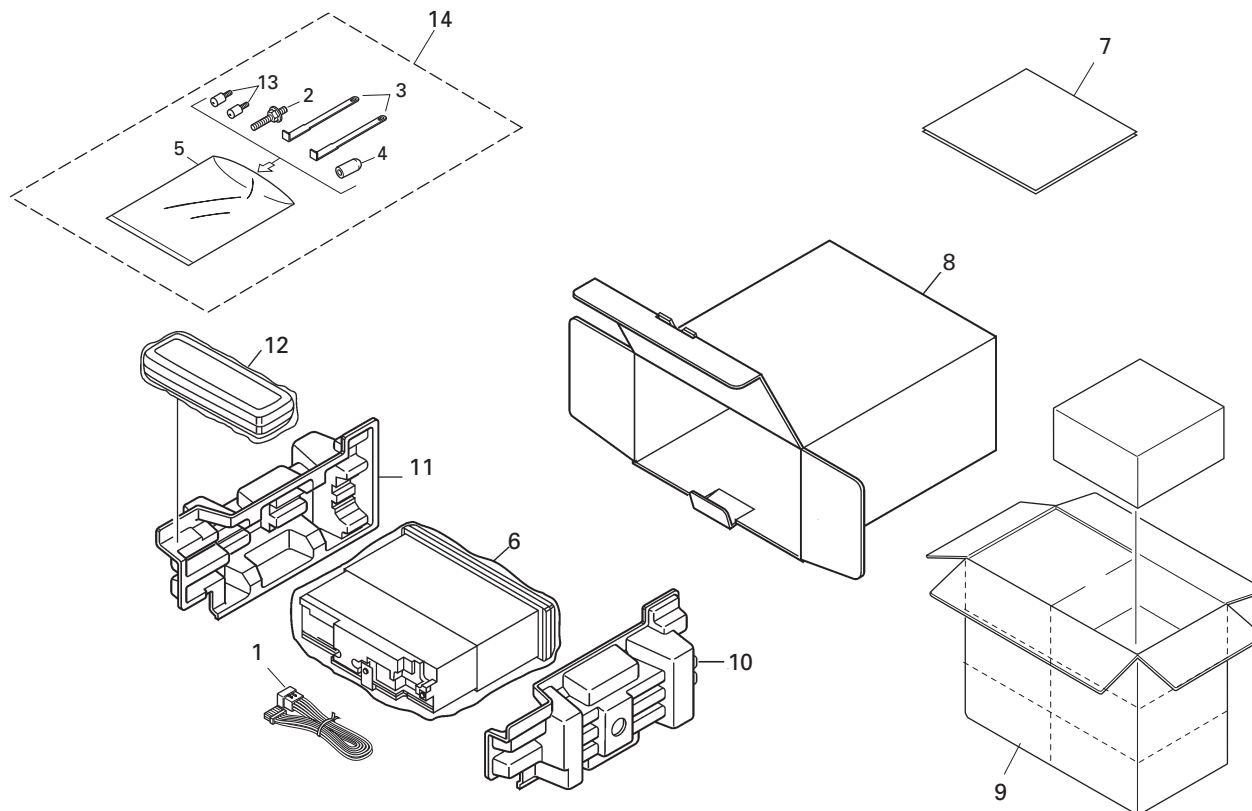
NOTES : • Parts marked by " \* " are generally unavailable because they are not in our Master Spare Parts List.

• Screw adjacent to ▽ mark on the product are used for disassembly.

• For the applying amount of lubricants or glue, follow the instructions in this manual.

(In the case of no amount instructions, apply as you think it appropriate.)

### 2.1 PACKING



#### (1) PACKING SECTION PARTS LIST

Mark No.	Description	Part No.	Mark No.	Description	Part No.
1	Cord Assy	CDE7059	8	Carton	See Contrast table(2)
2	Screw	CBA1650	9	Contain Box	See Contrast table(2)
3	Handle	CNC5395	10	Protector	CHP2663
4	Bush	CNV3930	11	Protector	CHP2664
*	Polyethylene Bag	CEG1160	12	Case Assy	CXB3520
6	Polyethylene Bag	CEG-162	13	Fixing Screw(M2x4)	CBA1488
7-1	Owner's Manual	YRD5001	14	Accessory Assy	CEA3865
7-2	Installation Manual	YRD5006			
*	7-3 Passport	CRY1013			
*	7-4 Warranty Card	CRY1157			

**(2) CONTRAST TABLE**

DEH-1630R/XU/EW, DEH-1600R/XU/EW and DEH-1600RB/XU/EW are constructed the same except for the following:

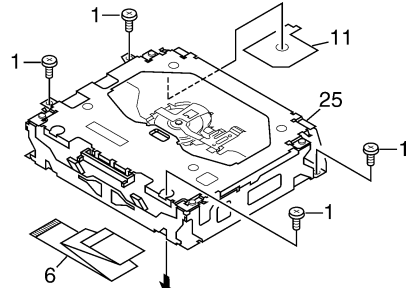
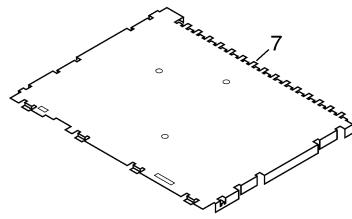
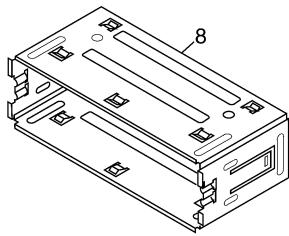
Mark	NO	Description	DEH-1630R/XU/EW	DEH-1600R/XU/EW	DEH-1600RB/XU/EW
	8	Carton	YHG5002	YHG5001	YHG5009
	9	Contain Box	YHL5002	YHL5001	YHL5009

**● Owner's Manual, Installation Manual**

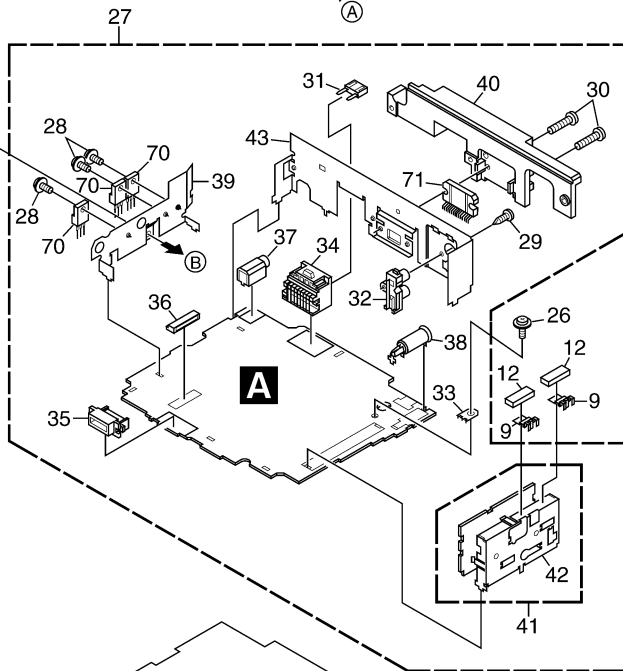
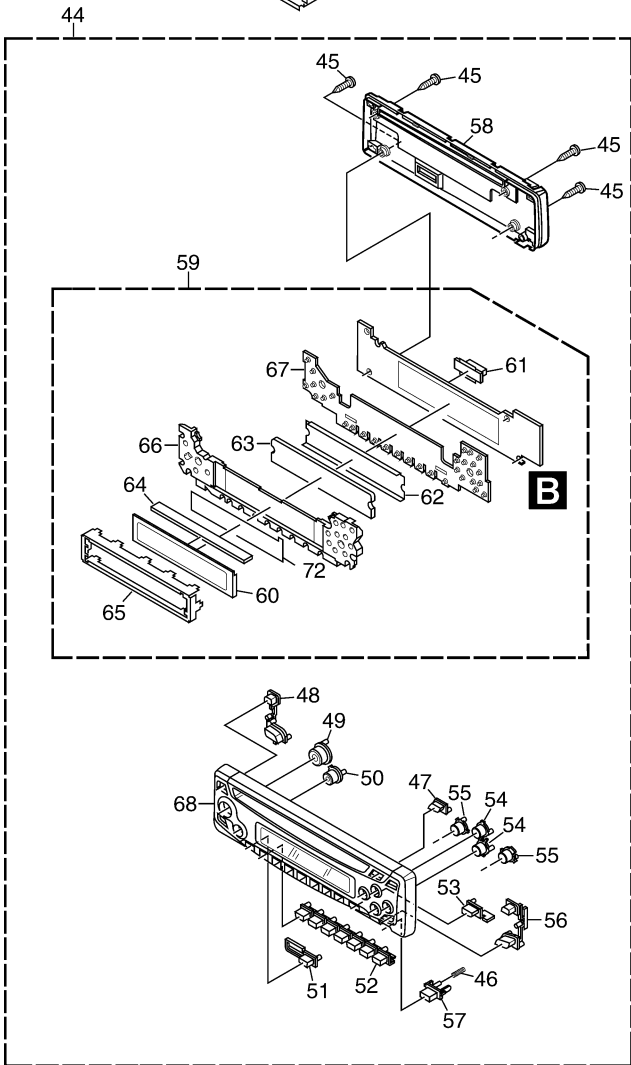
Model	Part No.	Language
DEH-1630R/XU/EW	YRD5001	English, Spanish, German, French, Italian, Dutch
DEH-1600R/XU/EW	YRD5006	English, Spanish, German, French, Italian, Dutch
DEH-1600RB/XU/EW		

# 2.2 EXTERIOR

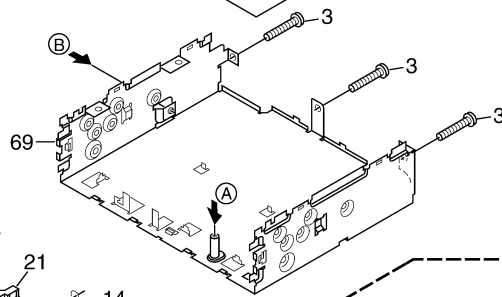
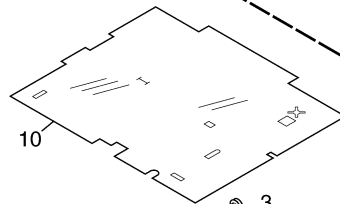
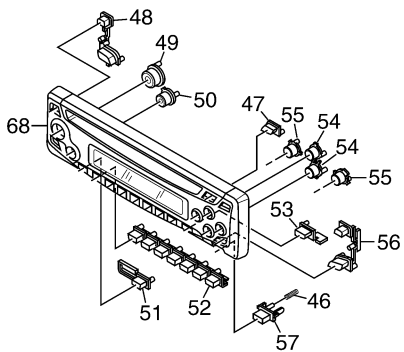
A



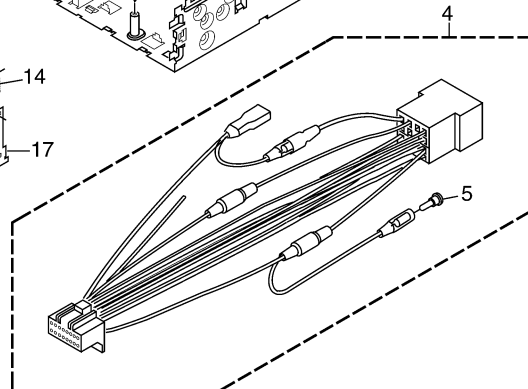
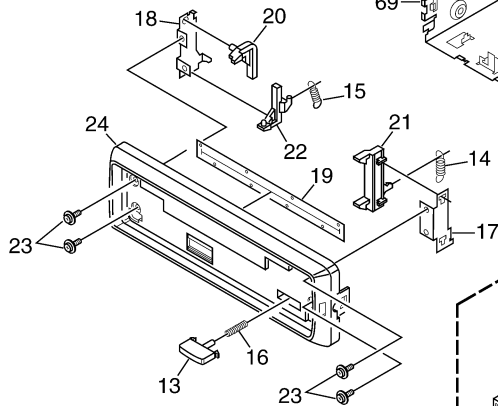
B



D



E



F



**(1) EXTERIOR SECTION PARTS LIST**

<u>Mark No.</u>	<u>Description</u>	<u>Part No.</u>	<u>Mark No.</u>	<u>Description</u>	<u>Part No.</u>
1	Screw	BSZ26P060FTC	37	Connector(CN621)	CKS4124
2	Screw	BSZ30P060FTC	38	Antenna Jack(CN401)	CKX1056
3	Screw	BSZ30P200FTC	39	Holder	CND1328
4	Cord Assy	CDE7059	40	Heat Sink	CNR1668
5	Cap	CKX-003			
6	Cable	CDE7113	41	FM/AM Tuner Unit	CWE1645
7	Case	CNB2793	42	Holder	CND1054
8	Holder	CNC8659	43	Holder	YNC5002
9	Earth Plate	CNC8915	44	Detach Grille Assy	See Contrast table(2)
10	Insulator	CNM8059	45	Screw	BPZ20P100FZK
11	Insulator	CNM8174	46	Spring	CBH2210
12	Cushion	CNM8890	47	Button(CD EJECT)	YAC5001
13	Button	CAC4836	48	Button(TA, EQ)	YAC5003
14	Spring	CBH1835	49	Button(UP)	See Contrast table(2)
15	Spring	CBH2208	50	Button(DOWN)	See Contrast table(2)
16	Spring	CBH2367	51	Button(SRC)	YAC5011
17	Bracket	CNC6791	52	Button(1-6)	YAC5012
18	Holder	CNC8042	53	Button(LOUD)	YAC5014
19	Cover	CNM6276	54	Button(UP, DOWN)	See Contrast table(2)
20	Arm	CNV4692	55	Button(LEFT, RIGHT)	See Contrast table(2)
21	Arm	CNV4728	56	Button(A, BAND)	YAC5021
22	Arm	CNV5576	57	Button(DETACH)	YAC5023
23	Screw	IMS20P030FZK	58	Cover	See Contrast table(2)
24	Panel	See Contrast table(2)	59	Keyboard Unit	See Contrast table(2)
25	CD Mechanism Module(S10.1)	CXK5602	60	LCD(LCD1801)	See Contrast table(2)
26	Screw	ISS26P055FTC	61	Connector(CN1801)	CKS3580
27	Tuner Amp Unit	See Contrast table(2)	62	Sheet	CNM7932
28	Screw	ASZ26P060FTC	63	Lens	CNV7060
29	Screw	BPZ26P080FTC	64	Connector	CNV7369
30	Screw	BSZ26P160FTC	65	Holder	YNC5001
31	Fuse(10A)	CEK1208	66	Lighting Conductor	YNV5001
32	Pin Jack(CN352)	CKB1057	67	Rubber	YNV5003
33	Terminal(CN402)	CKF1059	68	Grille Unit	See Contrast table(2)
34	Plug(CN901)	CKM1376	69	Chassis Unit	See Contrast table(2)
35	Connector(CN831)	CKS3581	70	Transistor(Q911, 921, 991)	2SD2396
36	Connector(CN651)	CKS3835	71	IC(IC302)	TDA7386
			72	Sheet	See Contrast table(2)

**(2) CONTRAST TABLE**

DEH-1630R/XU/EW, DEH-1600R/XU/EW and DEH-1600RB/XU/EW are constructed the same except for the following:

Mark	NO	Description	DEH-1630R/XU/EW	DEH-1600R/XU/EW	DEH-1600RB/XU/EW
	24	Panel	YNS5031	YNS5032	YNS5031
	27	Tuner Amp Unit	YWM5007	YWM5001	YWM5019
	44	Detach Grille Assy	YXA5026	YXA5014	YXA5032
	49	Button(UP)	YAC5007	YAC5005	YAC5007
	50	Button(DOWN)	YAC5010	YAC5008	YAC5010
	54	Button(UP, DOWN)	YAC5017	YAC5015	YAC5017
	55	Button(LEFT, RIGHT)	YAC5020	YAC5018	YAC5020
	58	Cover	YNS5020	YNS5021	YNS5020
	59	Keyboard Unit	YWM5008	YWM5002	YWM5020
	60	LCD(LCD1801)	CAW1779	CAW1731	YAW5006
	68	Grille Unit	YXA5002	YXA5001	YXA5013
	69	Chassis Unit	YXA5036	YXA5035	YXA5037
	72	Sheet	Not used	Not used	CNM7881

A

B

C

D

E

F

### 2.3 CD MECHANISM MODULE

A

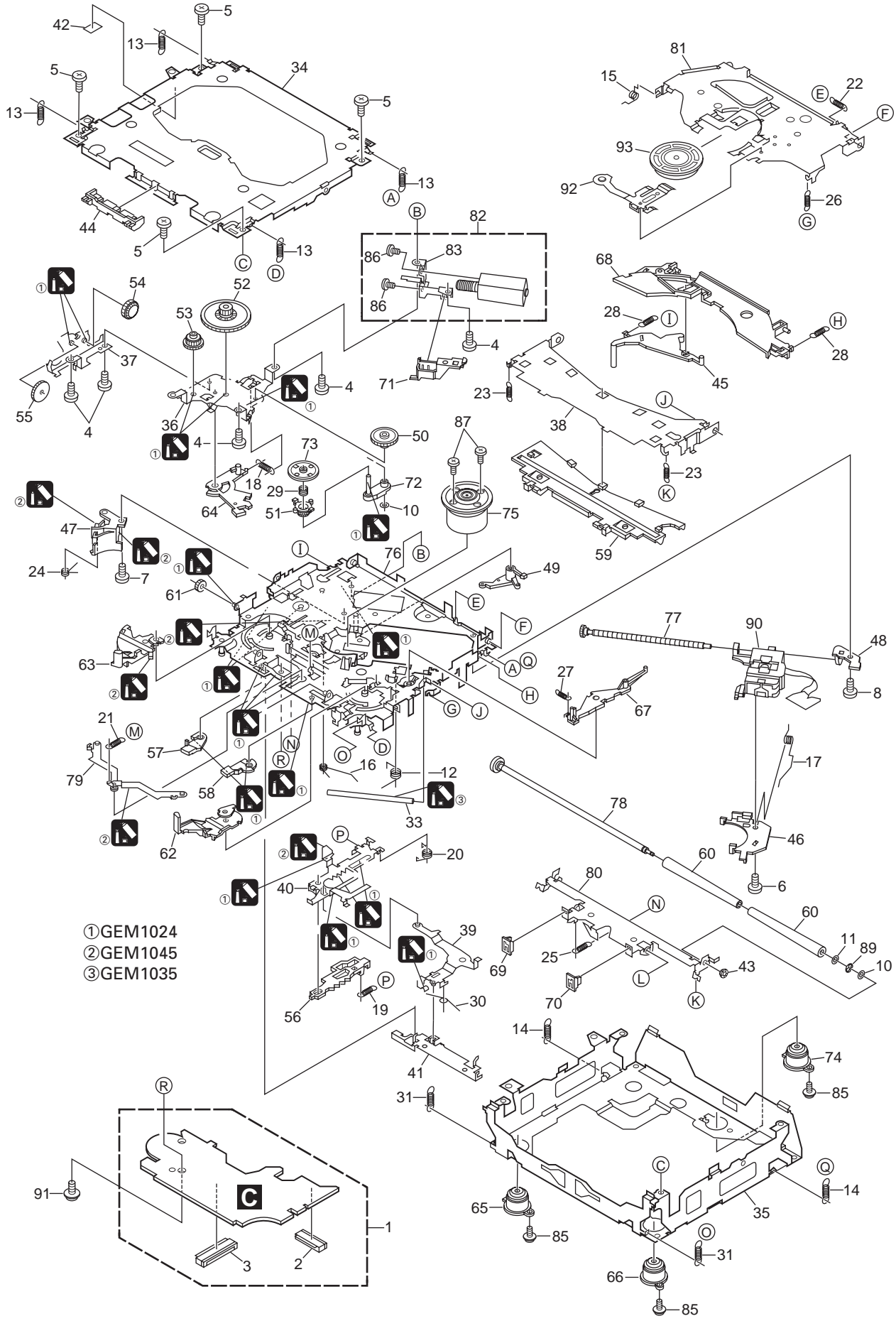
B

C

D

E

F



## CD MECHANISM MODULE SECTION PARTS LIST

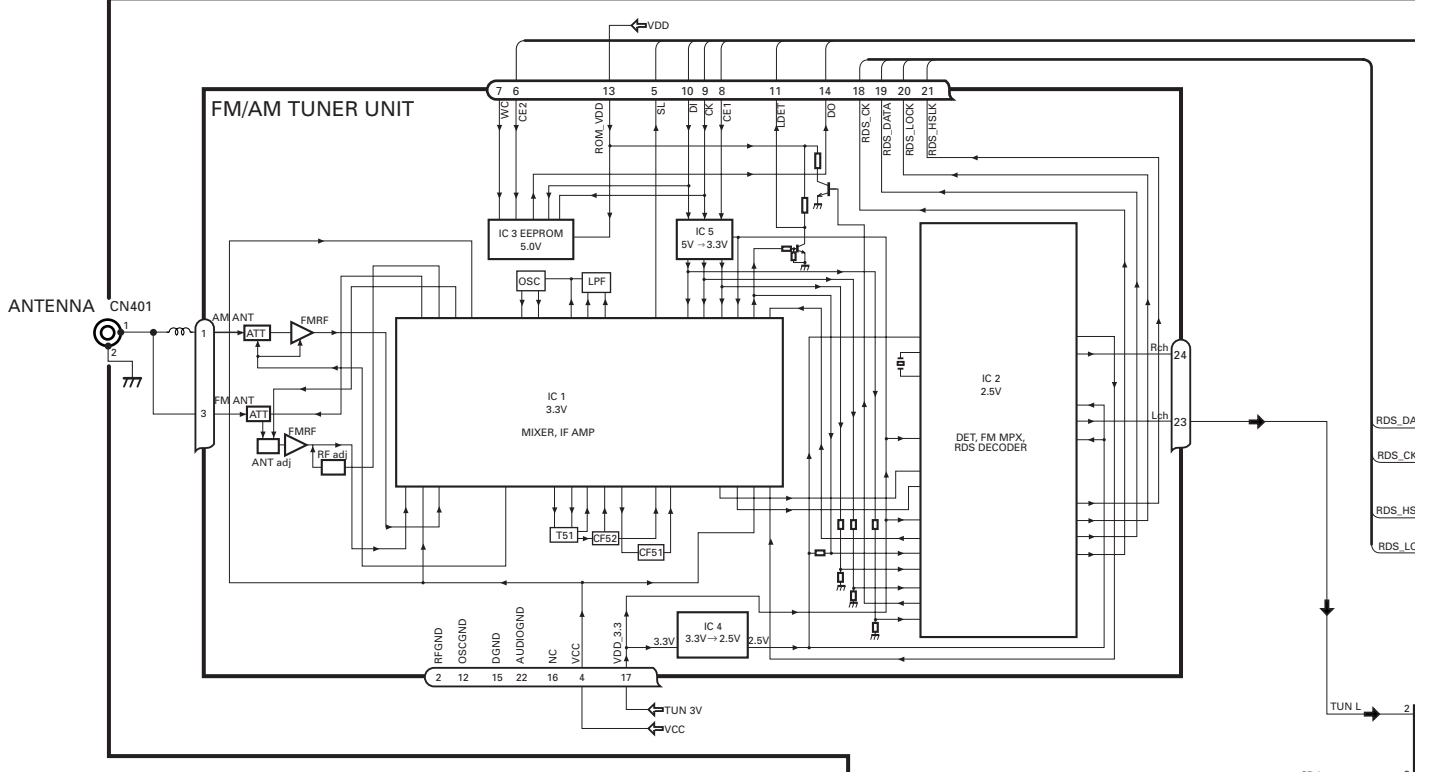
<u>Mark No.</u>	<u>Description</u>	<u>Part No.</u>	<u>Mark No.</u>	<u>Description</u>	<u>Part No.</u>	
1	CD Core Unit(S10.1)	CWX2947				
2	Connector(CN101)	CKS4182	51	Gear	CNV7208	A
3	Connector(CN701)	CKS4188	52	Gear	CNV7209	
4	Screw	BMZ20P035FTC	53	Gear	CNV7210	
5	Screw	BSZ20P040FTC	54	Gear	CNV7211	
			55	Gear	CNV7212	
6	Screw(M2x4)	CBA1362				
7	Screw(M2x3)	CBA1511	56	Rack	CNV7214	
8	Screw(M2x3)	CBA1527	57	Arm	CNV7215	
9	*****		58	Arm	CNV7216	
10	Washer	CBF1038	59	Guide	CNV7217	
			60	Roller	CNV7218	B
11	Washer	CBF1060				
12	Spring	CBH2390	61	Gear	CNV7219	
13	Spring	CBH2606	62	Arm	CNV7221	
14	Spring	CBH2607	63	Arm	CNV7220	
15	Spring	CBH2608	64	Arm	CNV7222	
			65	Damper	CNV7313	
16	Spring	CBH2609				
17	Spring	CBH2610	66	Damper	CNV7314	
18	Spring	CBH2735	67	Arm	CNV7341	
19	Spring	CBH2612	68	Arm	CNV7342	
20	Spring	CBH2613	69	Guide	CNV7360	
			70	Guide	CNV7361	C
21	Spring	CBH2614				
22	Spring	CBH2615	71	Holder	CNV7437	
23	Spring	CBH2616	72	Arm	CNV7805	
24	Spring	CBH2617	73	Gear	CNV7595	
25	Spring	CBH2620	74	Damper	CNV7618	
			75	Motor Unit(M1)	CXB6007	
26	Spring	CBH2621				
27	Spring	CBH2641	76	Chassis Unit	CXC2318	
28	Spring	CBH2642	77	Screw Unit	CXB8729	
29	Spring	CBH2643	78	Gear Unit	CXC2397	
30	Spring	CBH2659	79	Arm Unit	CXC2316	D
			80	Arm	CND1896	
31	Spring	CBH2688				
32	*****		81	Arm	CND1894	
33	Shaft	CLA4441	82	Motor Unit(M2)	CXB8933	
34	Frame	CNC9962	83	Bracket	CNC9985	
35	Frame	CNC9963	84	*****		
			85	Screw(M2x5)	EBA1028	
36	Bracket	CNC9966				
37	Bracket	CND1895	86	Screw	JFZ20P020FTC	
38	Arm	CNC9968	87	Screw	JGZ17P022FTC	E
39	Arm	CND1909	88	*****		
40	Lever	CND2032	89	Washer	YE20FTC	
			90	Pickup Unit(P10)(Service)	CXX1647	
41	Lever	CNC9984				
42	Sheet	CNM8134	91	Screw	IMS26P030FTC	
43	Collar	CNV7798	92	Spring	CBL1635	
44	Guide	CNV7799	93	Clamper	CNV7197	
45	Arm	CNV7800				
46	Rack	CNV7199				
47	Holder	CNV7201				
48	Holder	CNV7202				
49	Arm	CNV7203				
50	Gear	CNV7207				F

# 3. BLOCK DIAGRAM AND SCHEMATIC DIAGRAM

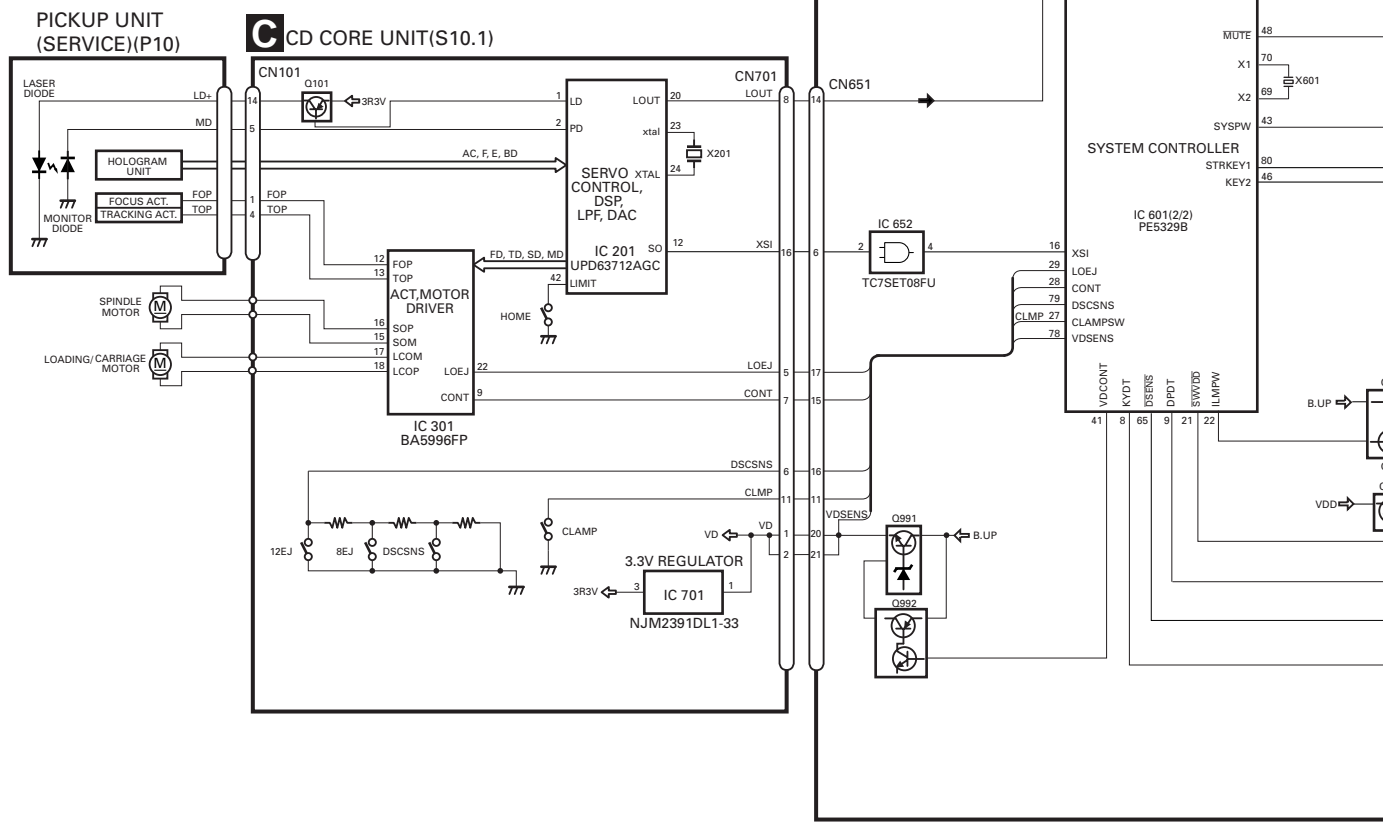
## 3.1 BLOCK DIAGRAM

A

### A TUNER AMP UNIT

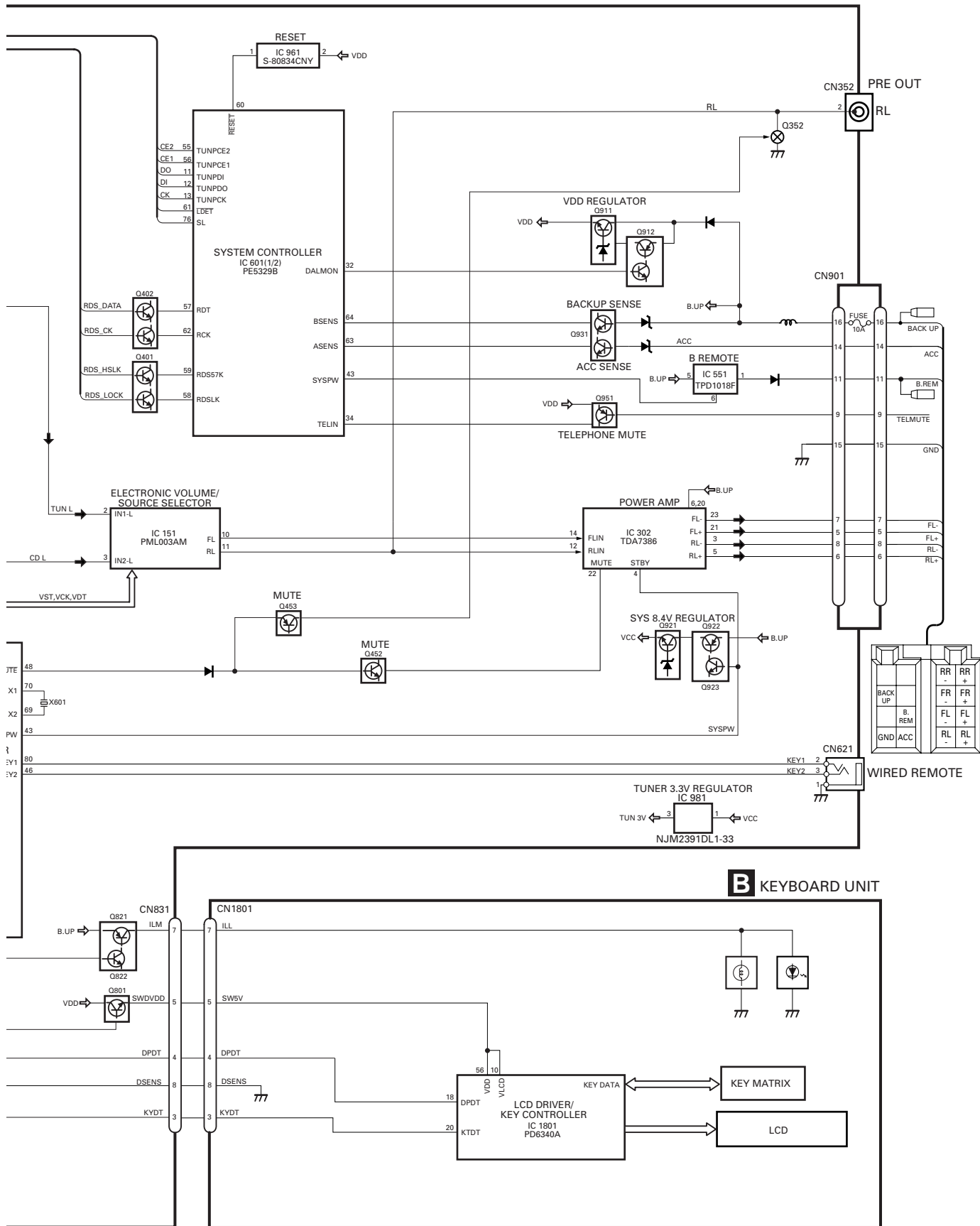


D



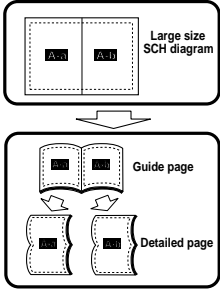
E

F

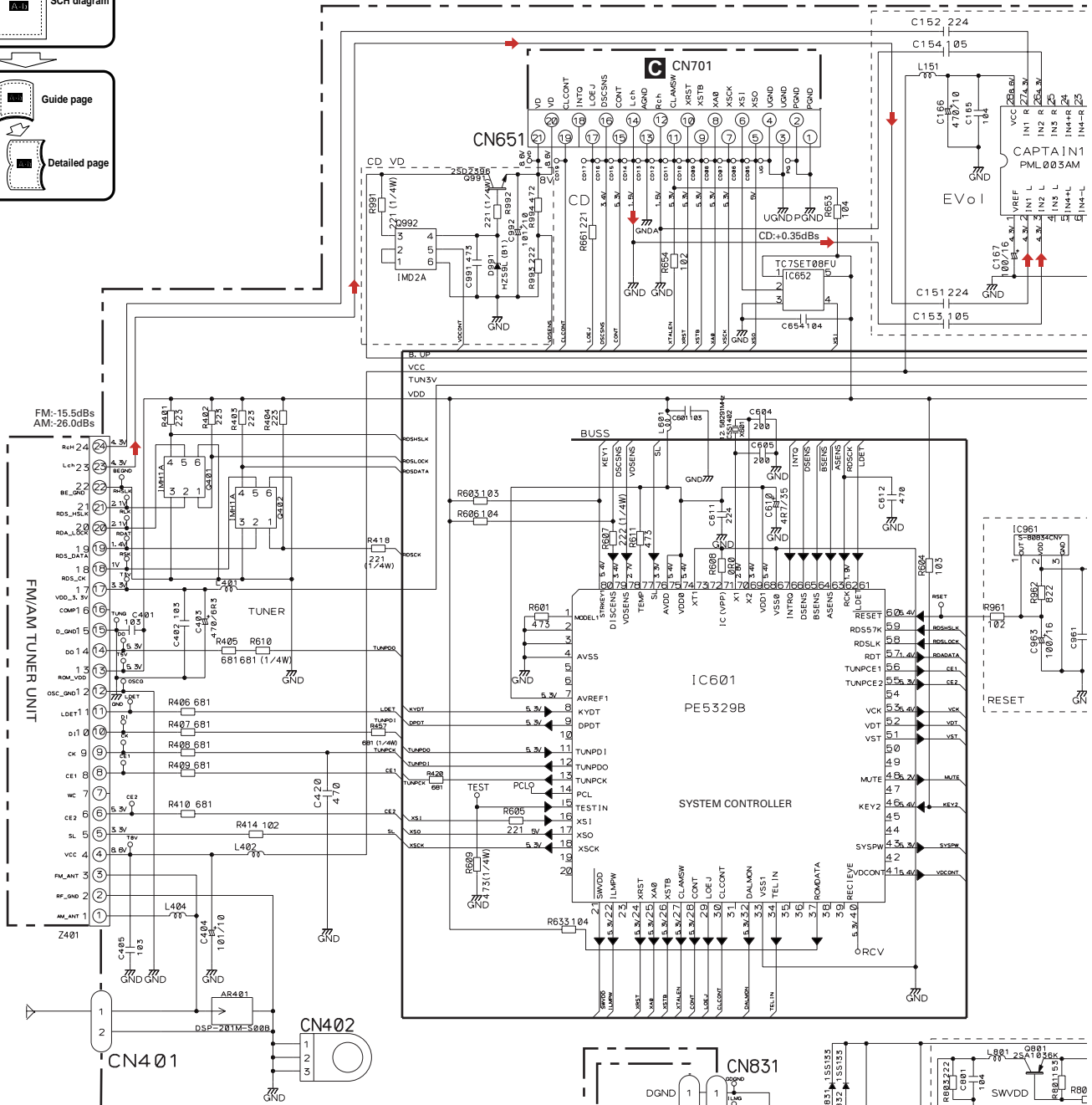


# 3.2 OVERALL CONNECTION DIAGRAM(GUIDE PAGE)

Note: When ordering service parts, be sure to refer to " EXPLODED VIEWS AND PARTS LIST" or "ELECTRICAL PARTS LIST".



A-a



For resistors and capacitors in the circuit diagrams, their resistance values or capacitance values are expressed in codes:

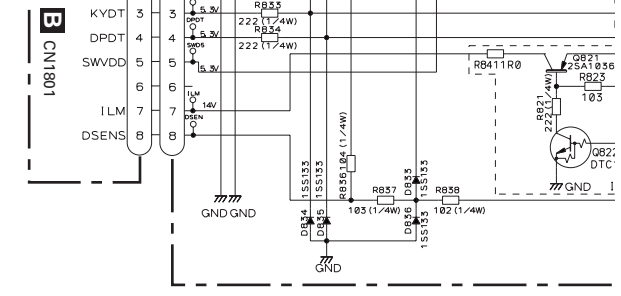
Ex. \*Resistors

Code	Practical value
123	12k ohms
103	10k ohms

\*Capacitors

Code	Practical value
103	0.01uF
101/10	100uF/10V

The  $\Delta$  mark found on some component parts indicates the importance of the safety factor of the part. Therefore, when replacing, be sure to use parts of identical designation.

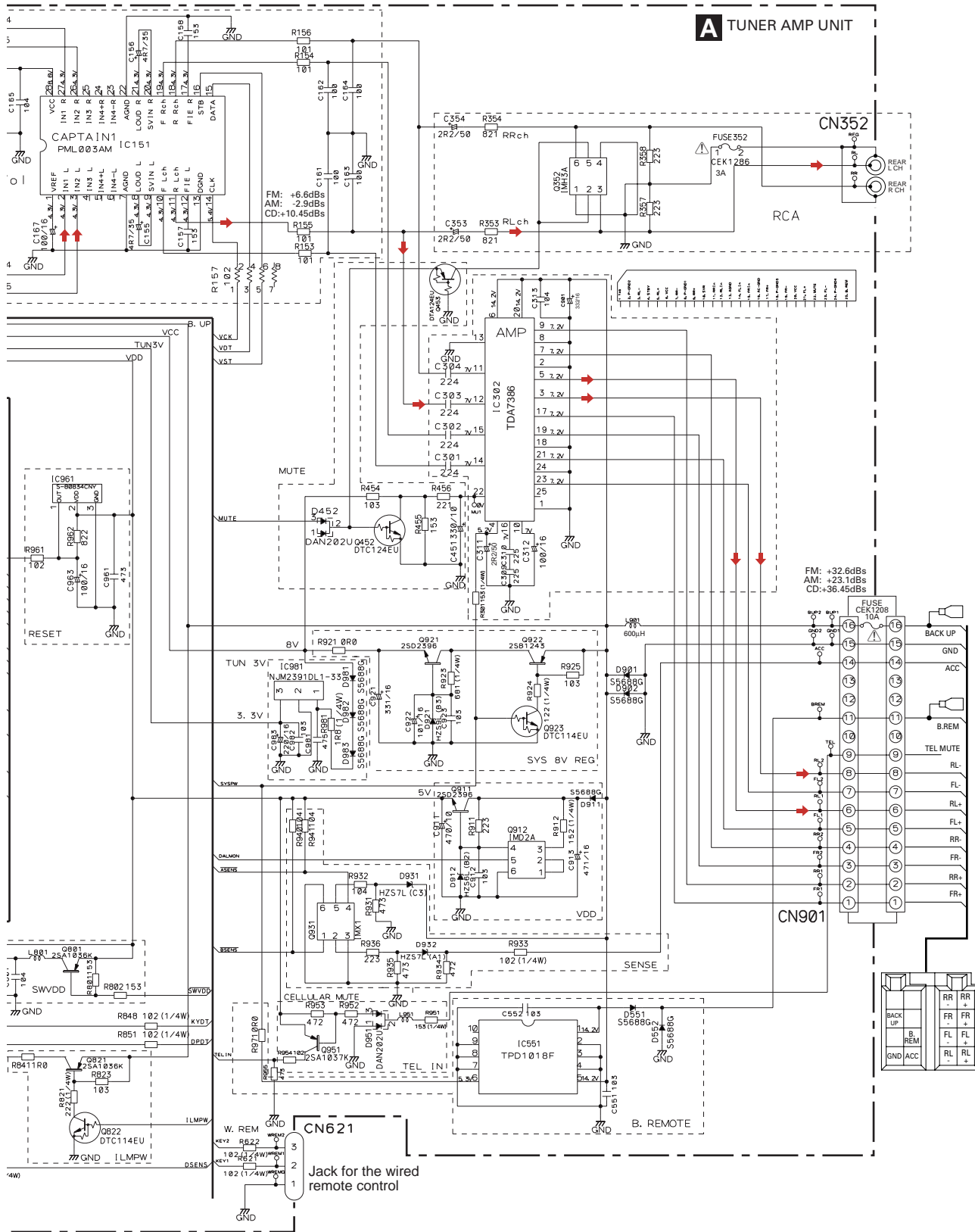


A

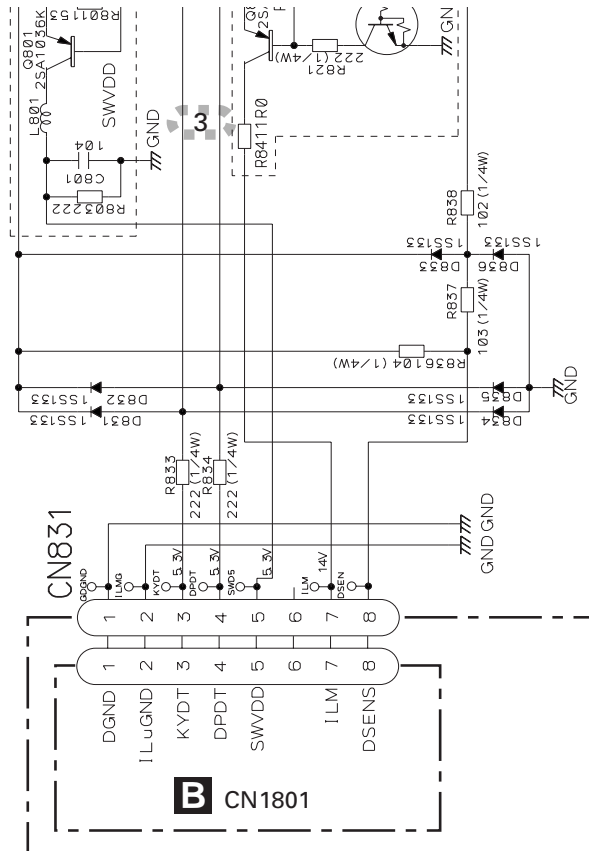
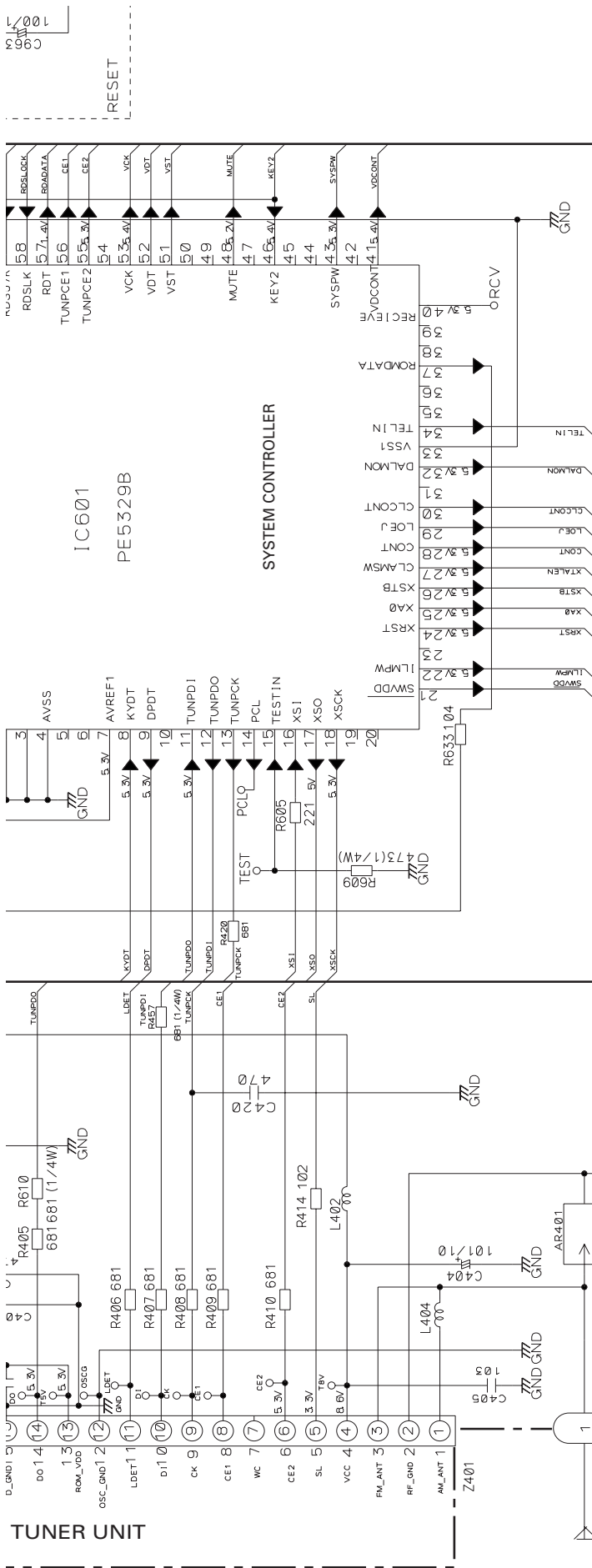


# A-b

## A TUNER AMP UNIT







For resistors and capacitors in the circuit diagrams, their resistance values or capacitance values are expressed in codes:

- Ex. \*Resistors
- | Code | Practical value |
|------|-----------------|
| 123  | 12k ohms        |
| 103  | 10k ohms        |
- \*Capacitors
- | Code   | Practical value |
|--------|-----------------|
| 103    | 0.01uF          |
| 101/10 | 100uF/10V       |

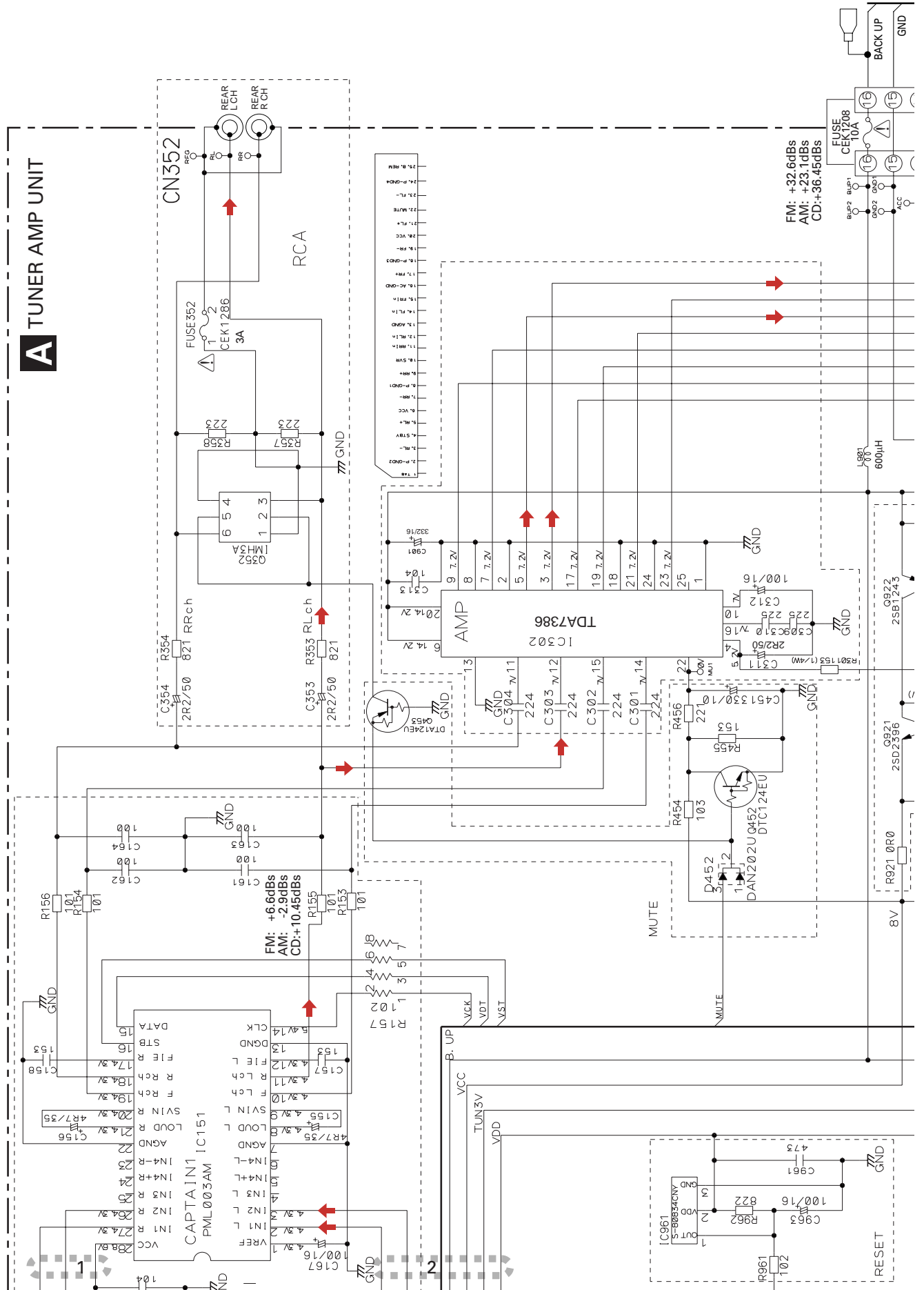
The  $\Delta$  mark found on some component parts indicates the importance of the safety factor of the part. Therefore, when replacing, be sure to use parts of identical designation.

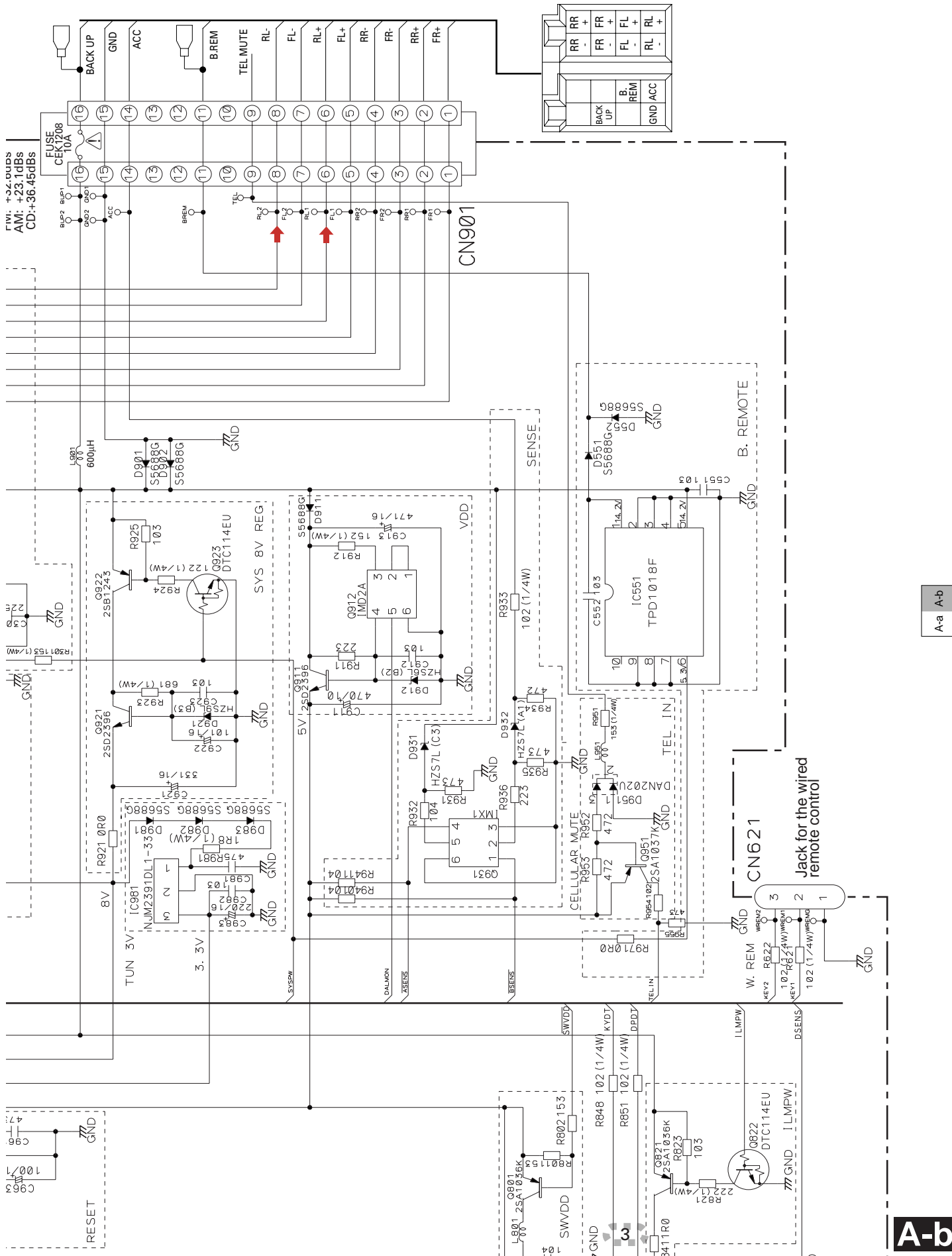
**A-a**

# A TUNER AMP UNIT

A-a A-b

A-b





A-a A-b

A-b

# 3.3 KEYBOARD UNIT

For resistors and capacitors in the circuit diagrams, their resistance values or capacitance values are expressed in codes:

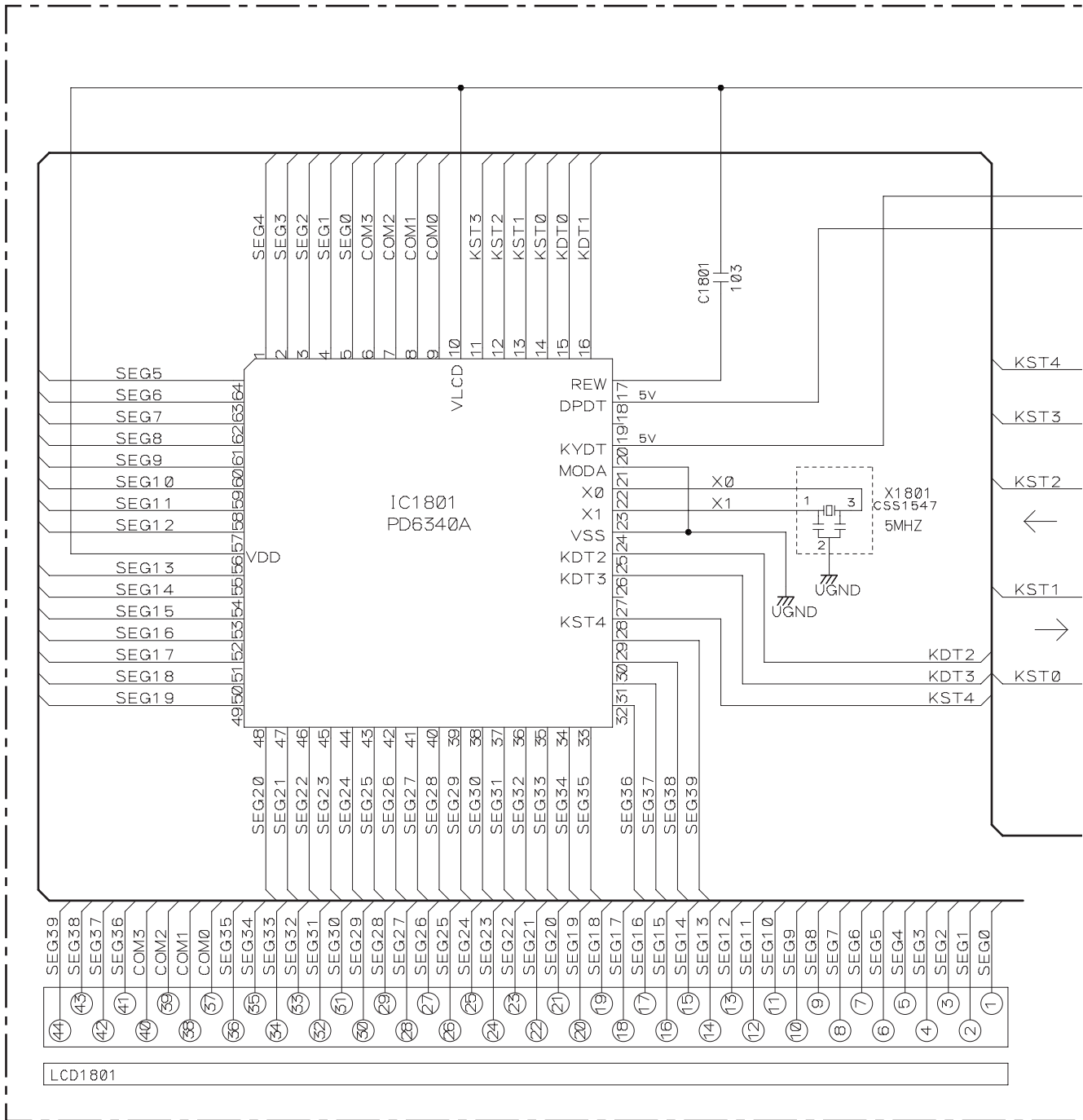
Ex. \*Resistors

Code	Practical value
123	12k ohms
103	10k ohms

\*Capacitors

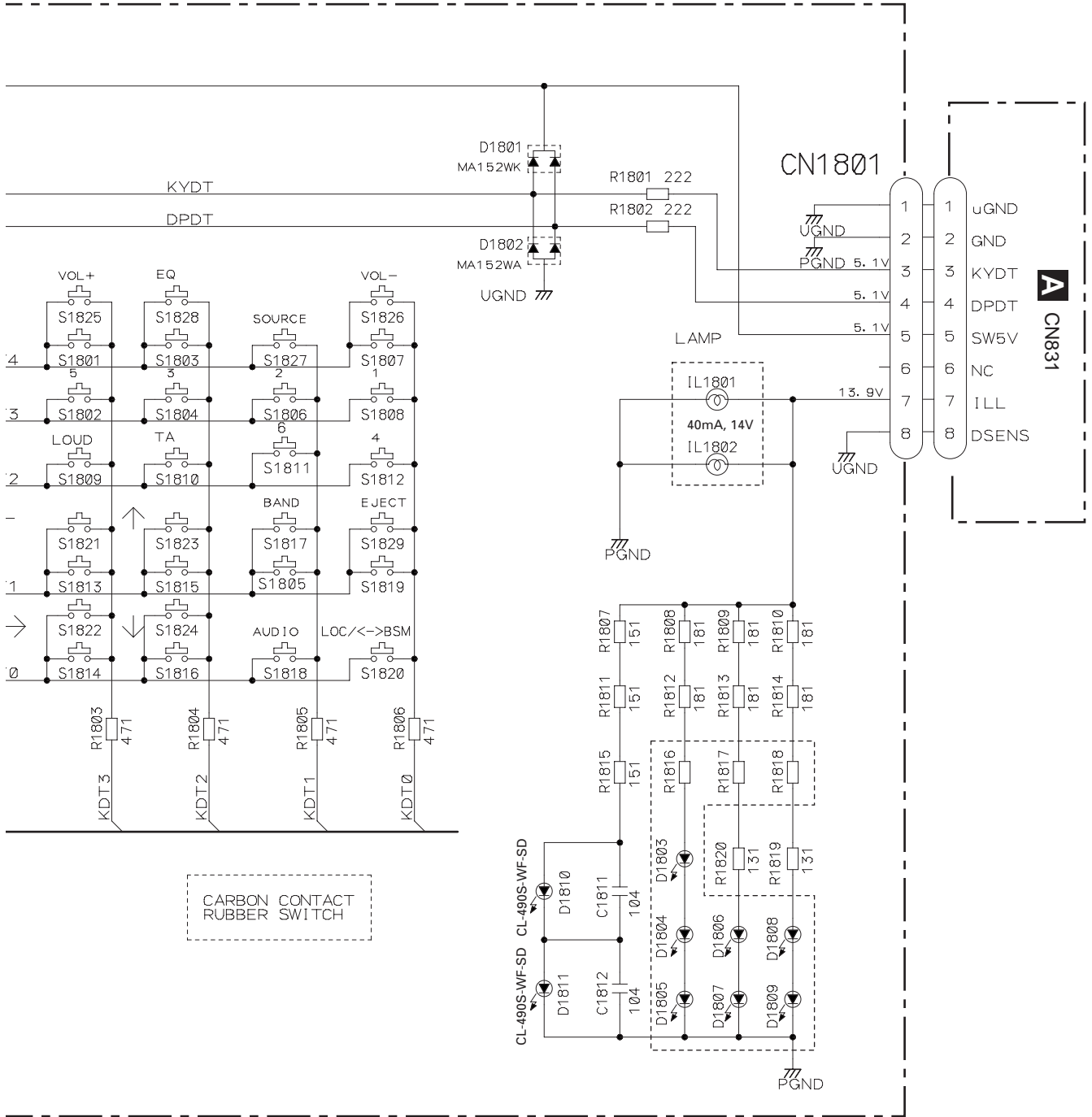
Code	Practical value
103	0.01uF
101/10	100uF/10V

	ILM COLOUR	IL1801,1802	D1803-18
DEH-1630R/XU/EW	VW RED (SR)	CEL1662	SML31
DEH-1600R/XU/EW	GREEN (PG)	CEL1651	SML31
DEH-1600RB/XU/EW	VW RED (SR)	CEL1662	SML31



03-1809	R1816-1818	LCD1801
L310VT	181	CAW1779
L310PT	151	CAW1731
L310VT	181	YAW5006

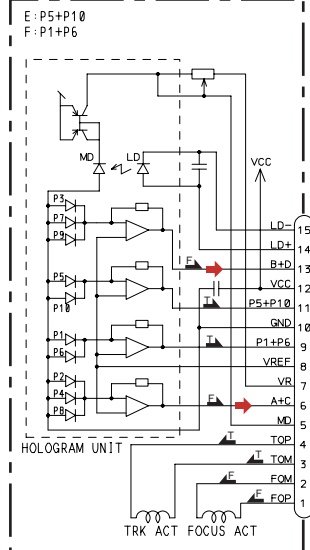
**B** KEYBOARD UNIT



# 3.4 CD MECHANISM MODULE

A

## PICKUP UNIT(P10)(SERVICE)

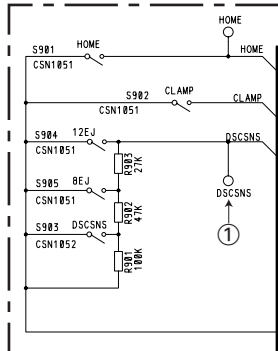


B

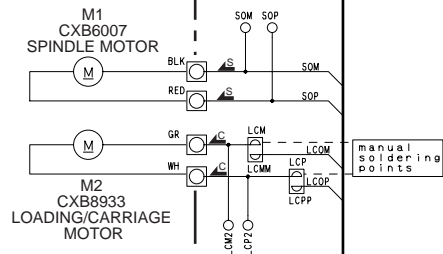
C

F. ACT: Applying positive voltage to FOP, the lens moves DISC side.  
T. ACT: Applying positive voltage to TOP, the lens moves outer circumference.

D

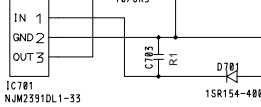


E

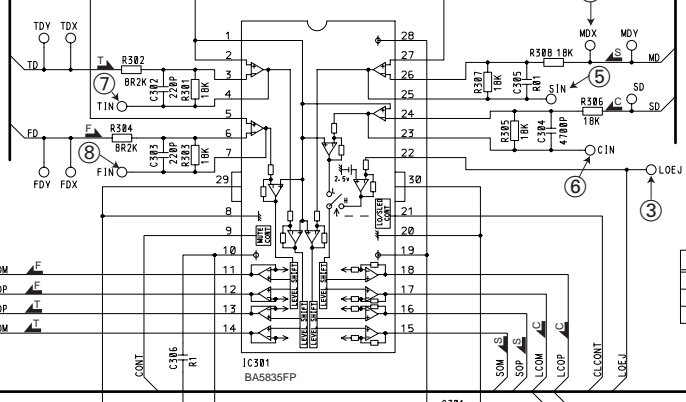


F

## 3.3V REGULATOR

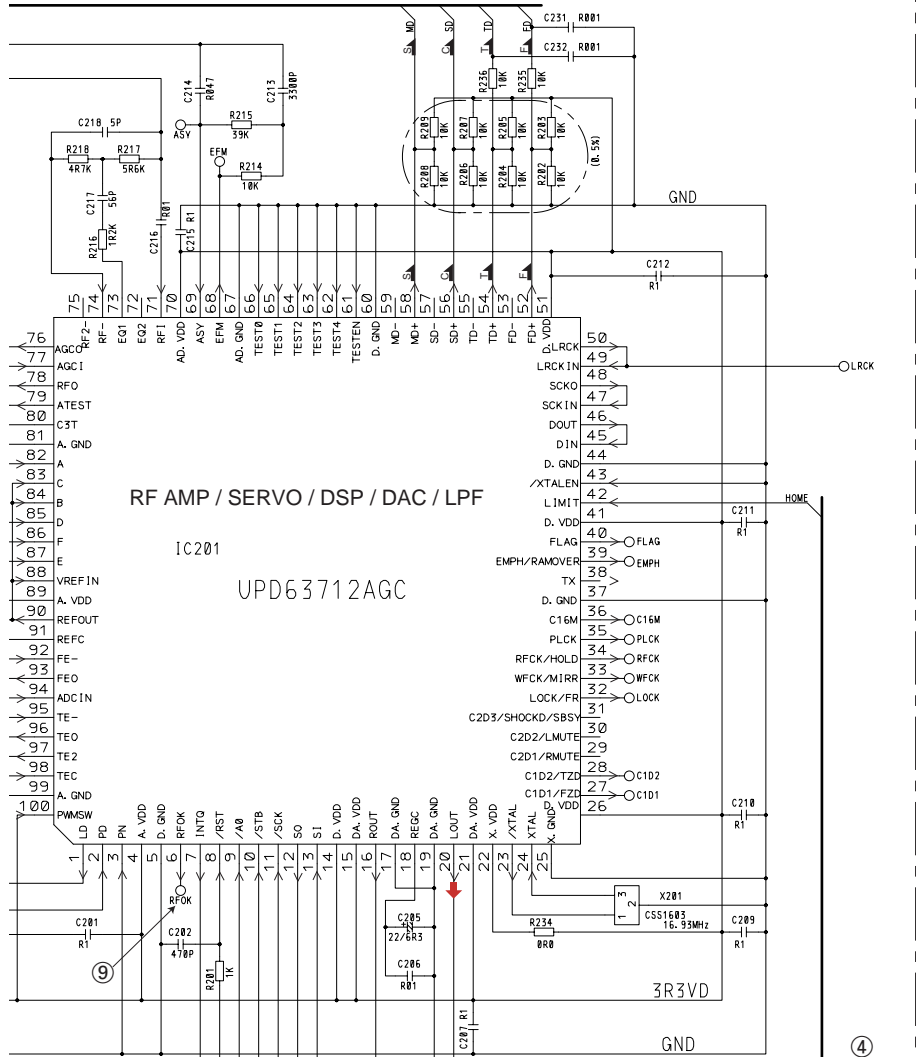


## MOTOR DRIVER





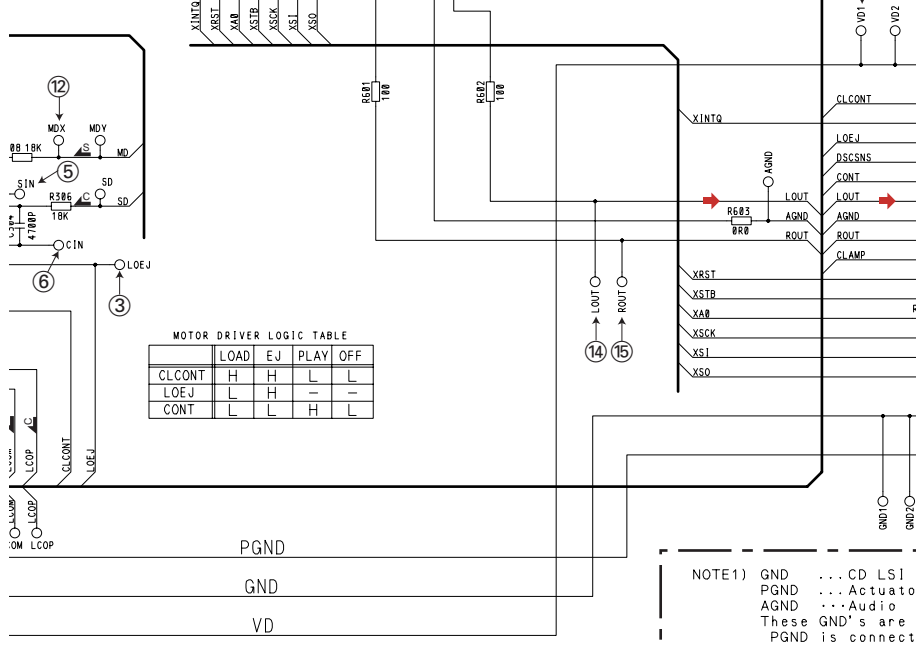
# C CD CORE UNIT(S10.1)



- SIGNAL LINE
- FOCUS SERVO LINE
- TRACKING SERVO LINE
- CARRIAGE SERVO LINE
- SPINDLE SERVO LINE

SWITCHES:  
 CD CORE UNIT (S10.1)  
 S901 : HOME SWITCH.....ON-OFF  
 S902 : CLAMP SWITCH.....ON-OFF  
 S903 : DSCSNS SWITCH.....ON-OFF  
 S904 : 12EJ SWITCH.....ON-OFF  
 S905 : 8EJ SWITCH.....ON-OFF  
 The underlined indicates the switch position.

- Monitor land (side A)
- Monitor land (side B)
- Land for manual soldering



MOTOR DRIVER LOGIC TABLE

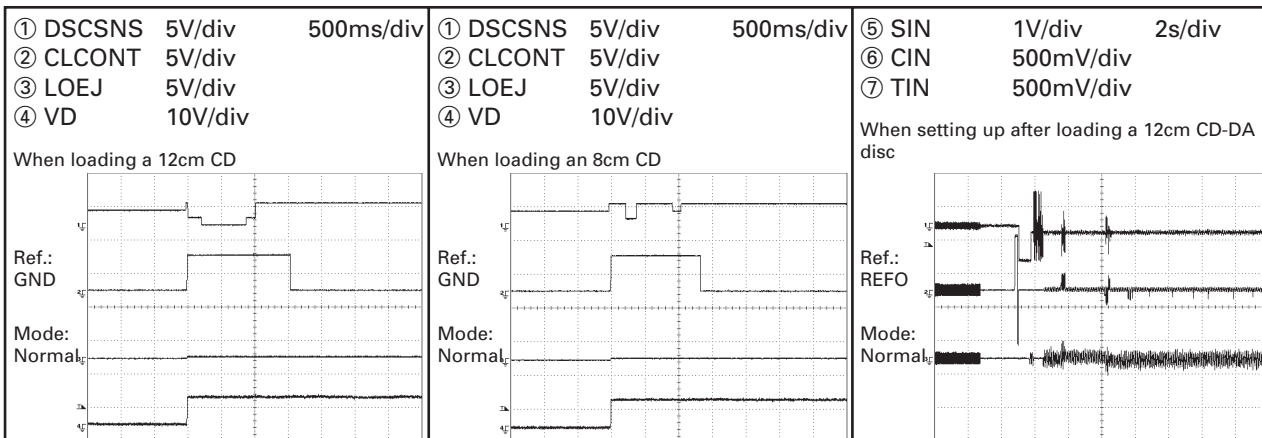
	LOAD	EJ	PLAY	OFF
CLCONT	H	H	L	L
LOEJ	L	H	L	L
CONT	L	L	H	L

NOTE1) GND ... CD LSI  
 PGND ... Actuator, Motor Driver  
 AGND ... Audio  
 These GND's are not connected to each other on PCB.  
 PGND is connected to a floating mechanism part by a screw.

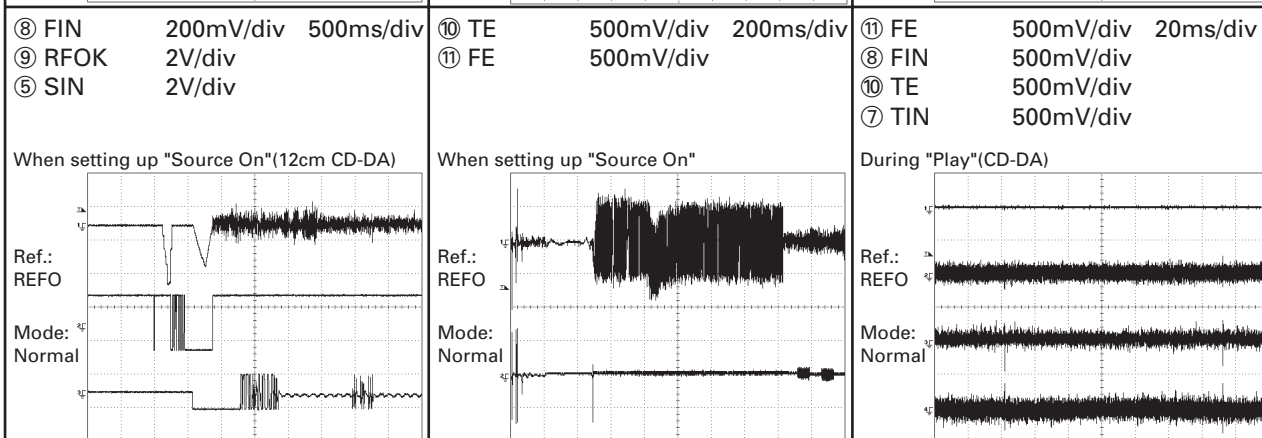
### ● Waveforms

Note : 1. The encircled numbers denote measuring points in the circuit diagram.  
2. Reference voltage REFO1(1.65V)

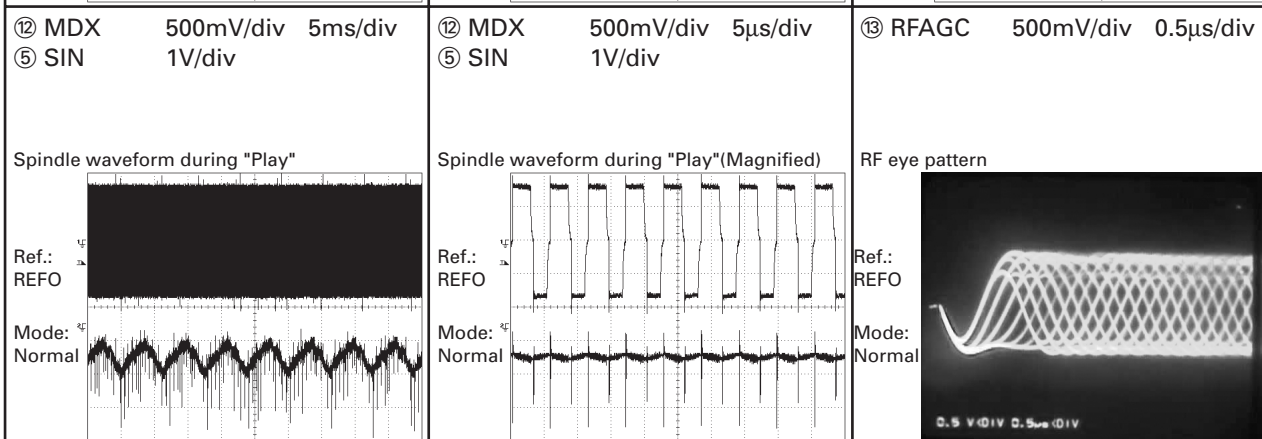
A



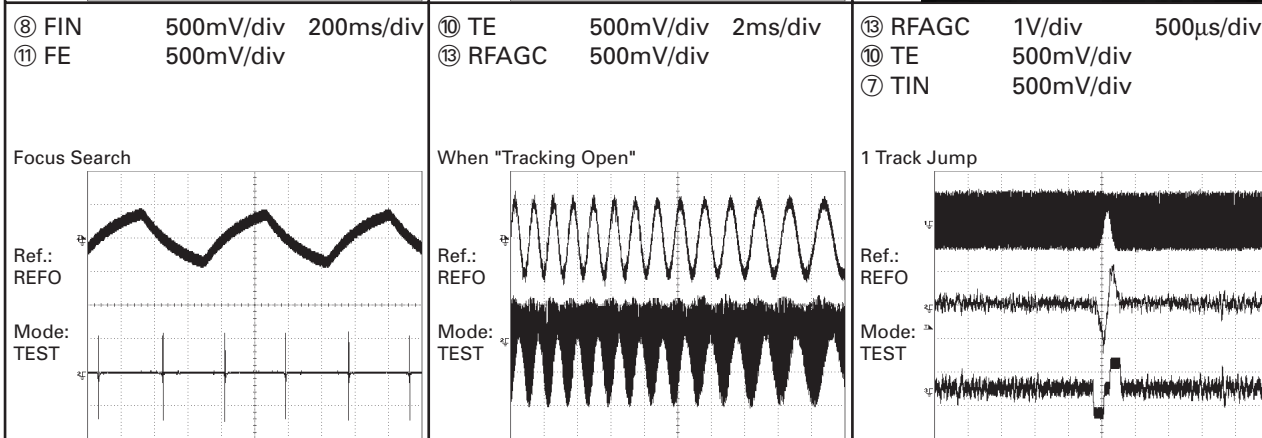
B



C

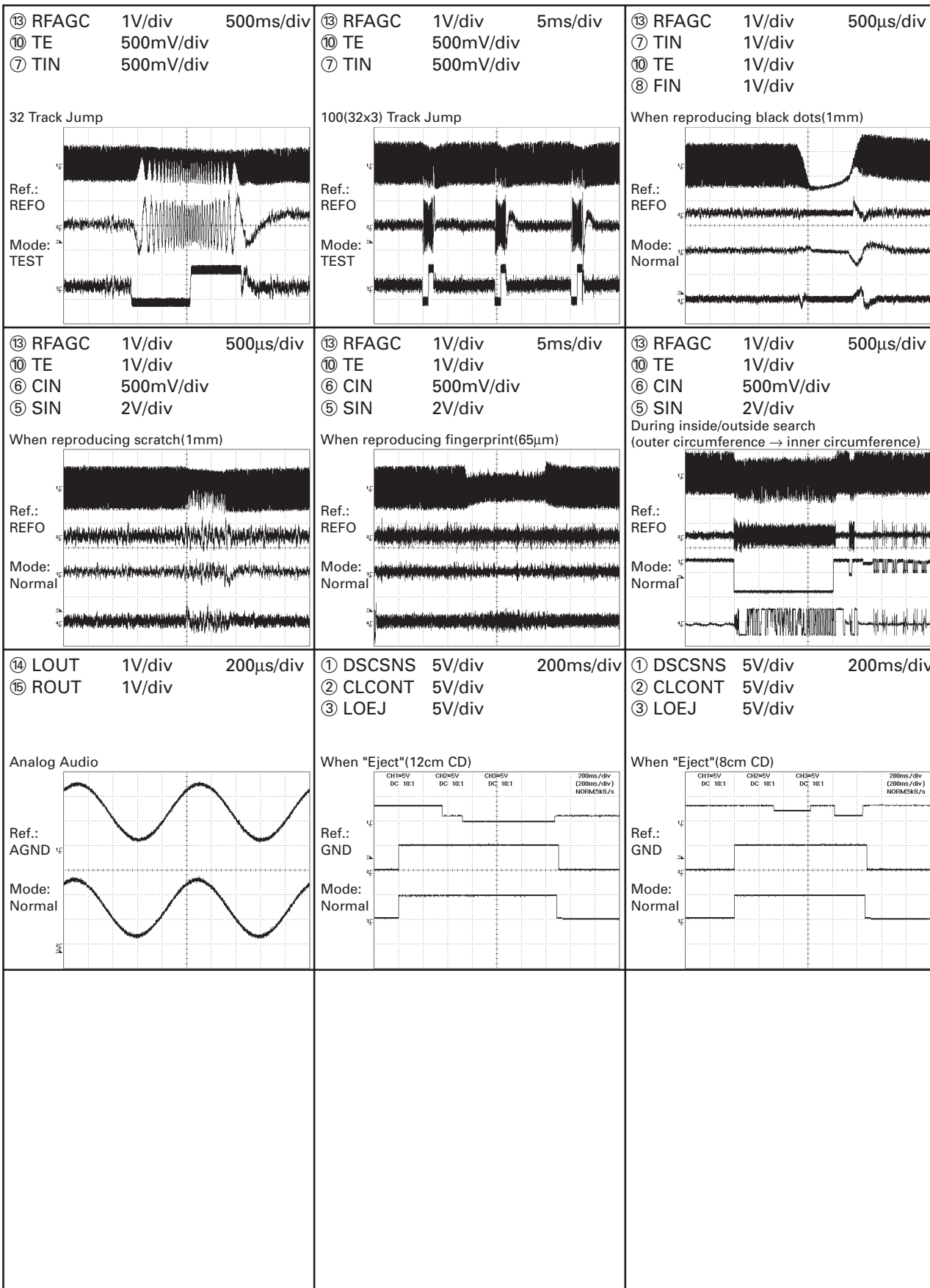


D



E

F



A  
B  
C  
D  
E  
F

# 4. PCB CONNECTION DIAGRAM

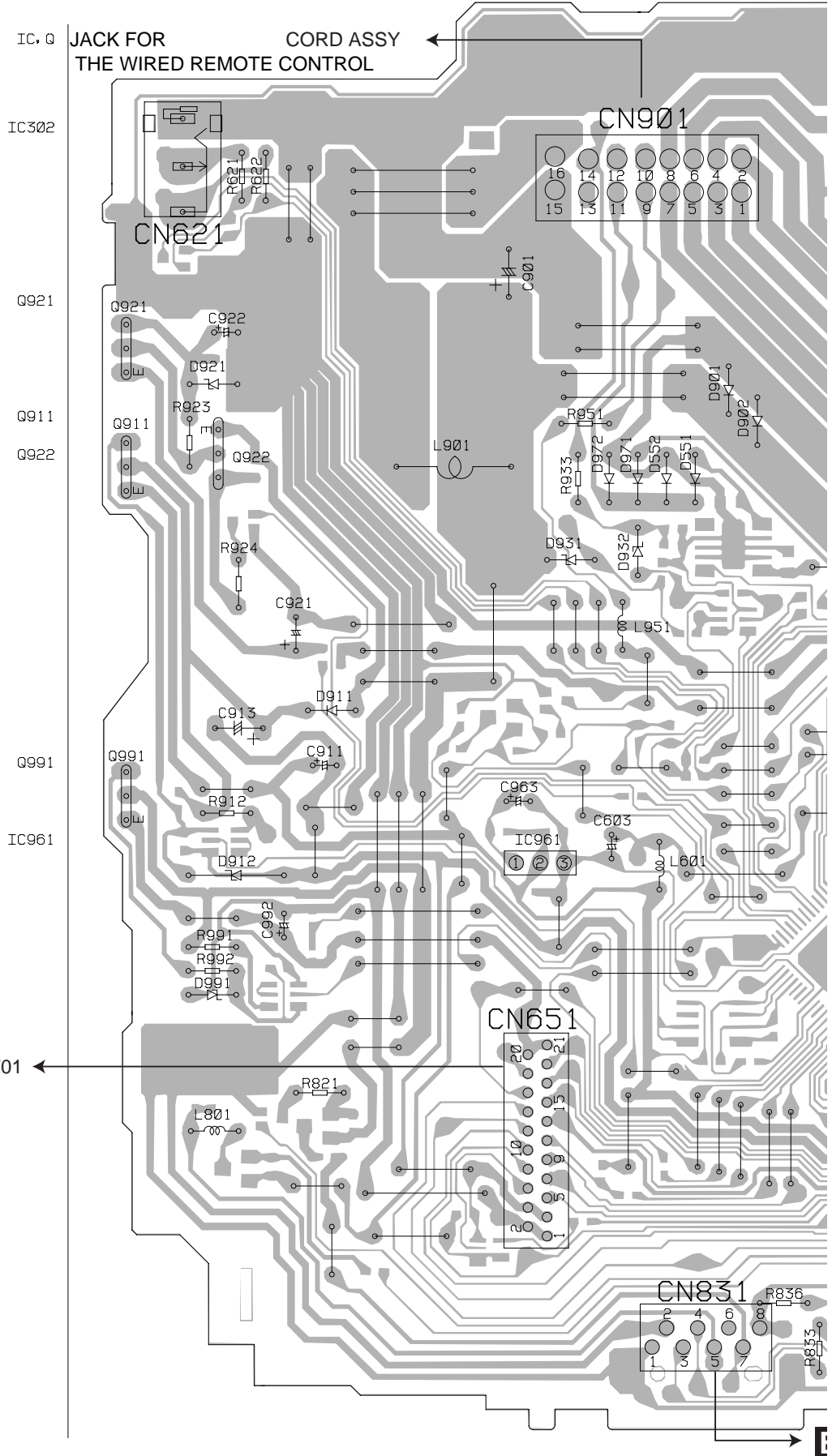
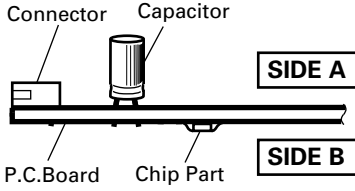
## 4.1 TUNER AMP UNIT

### A TUNER AMP UNIT

#### NOTE FOR PCB DIAGRAMS

1. The parts mounted on this PCB include all necessary parts for several destination. For further information for respective destinations, be sure to check with the schematic diagram.

2. Viewpoint of PCB diagrams

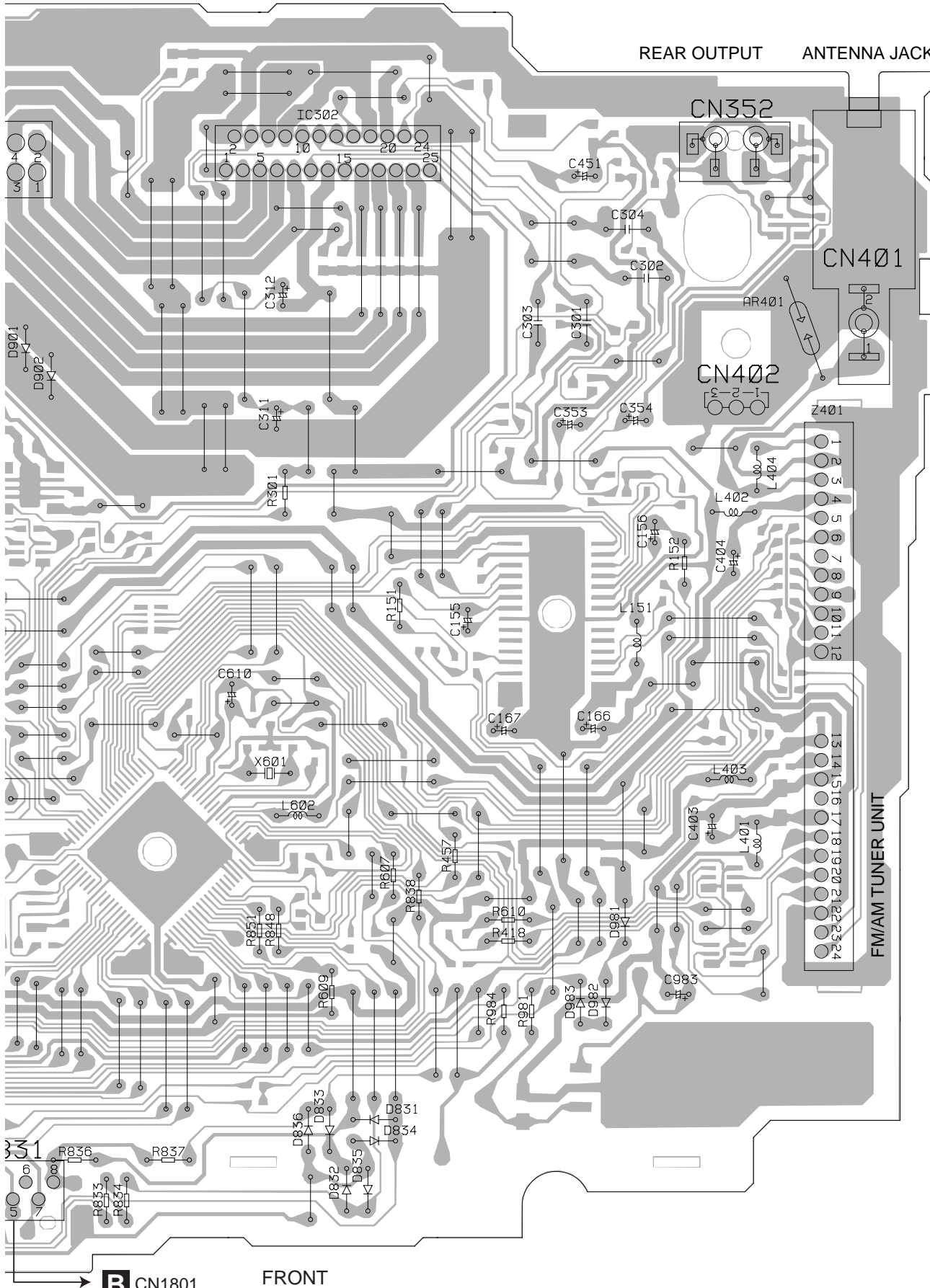


A  
B  
C  
D  
E  
F

**SIDE A**

REAR OUTPUT

ANTENNA JACK

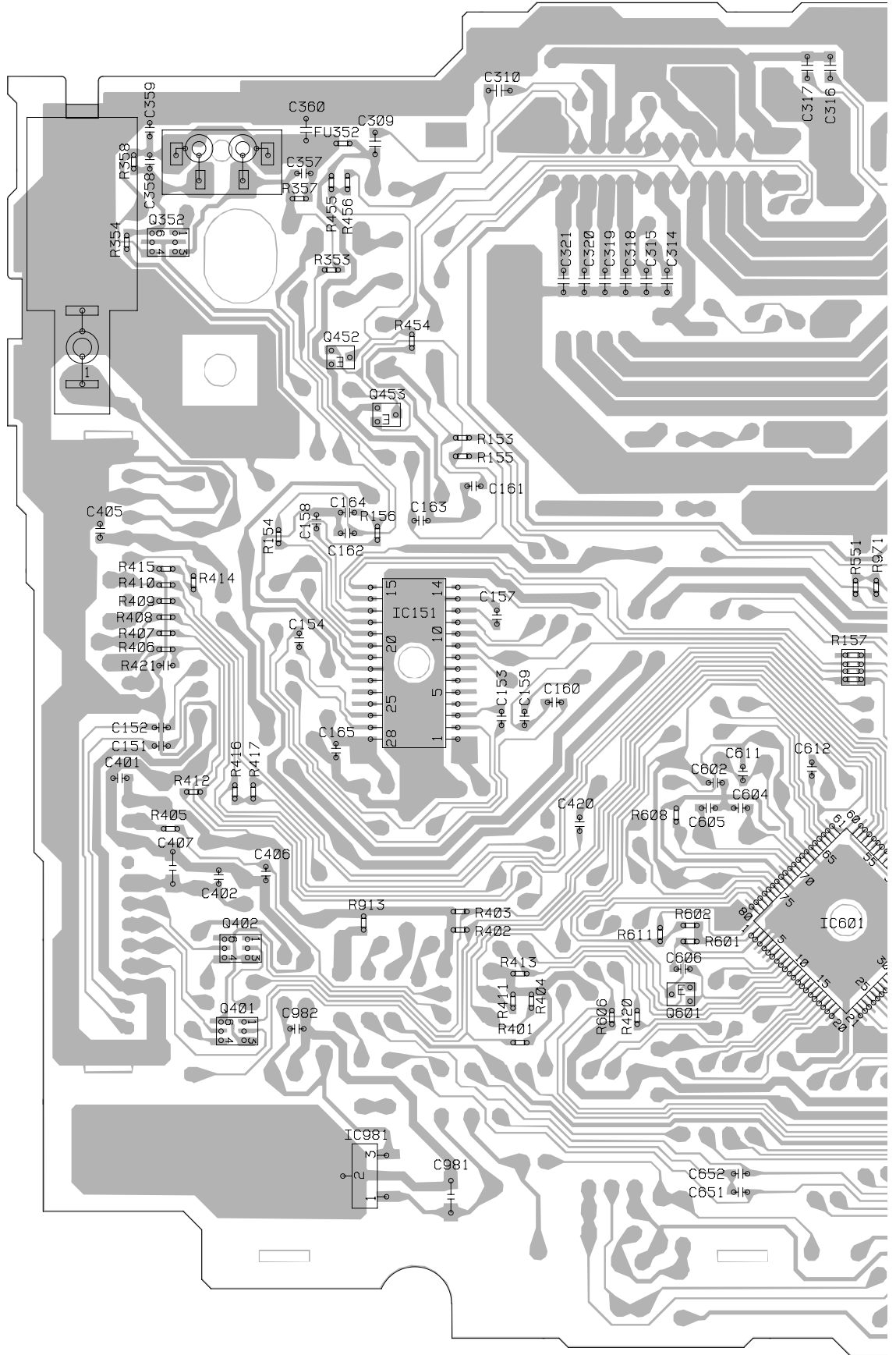


**B** CN1801

FRONT

**A**

**A** TUNER AMP UNIT



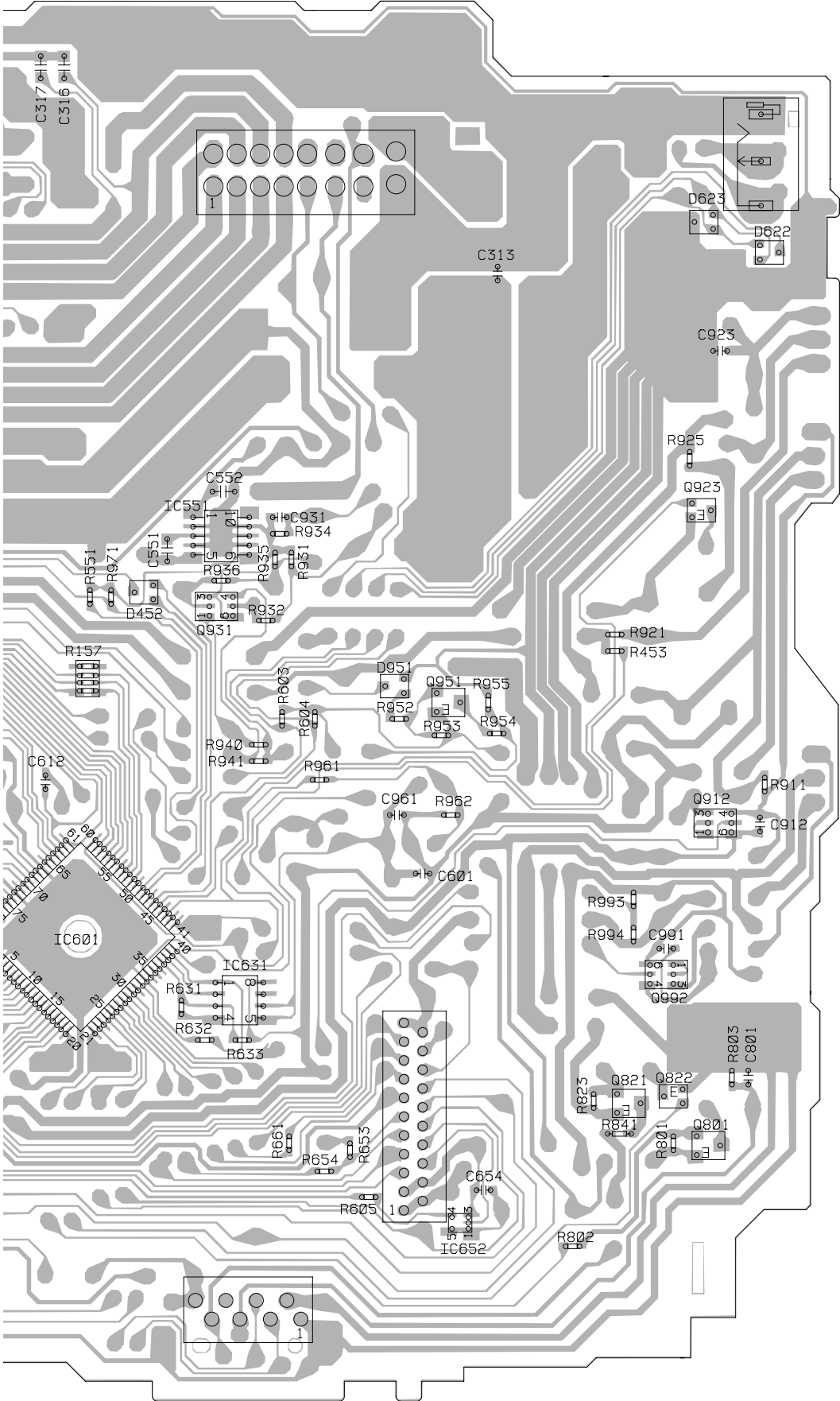
B

C

D

E

F



IC, Q

Q352

Q452

Q453

Q923  
IC551

IC151 Q931

Q951

Q912

Q402 IC601  
IC631

Q992  
Q401  
Q601

Q821 Q822

Q801

IC981

IC652

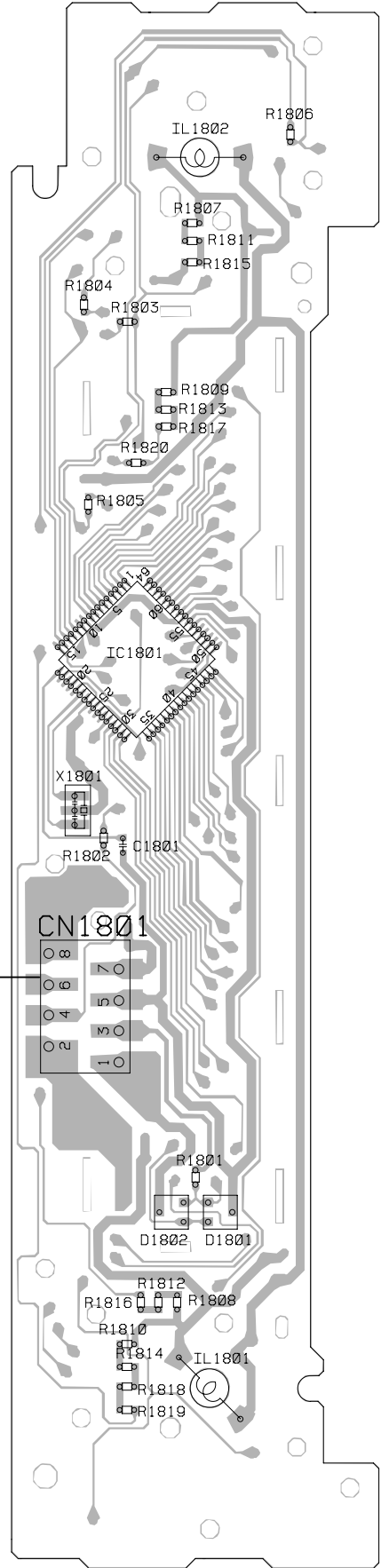
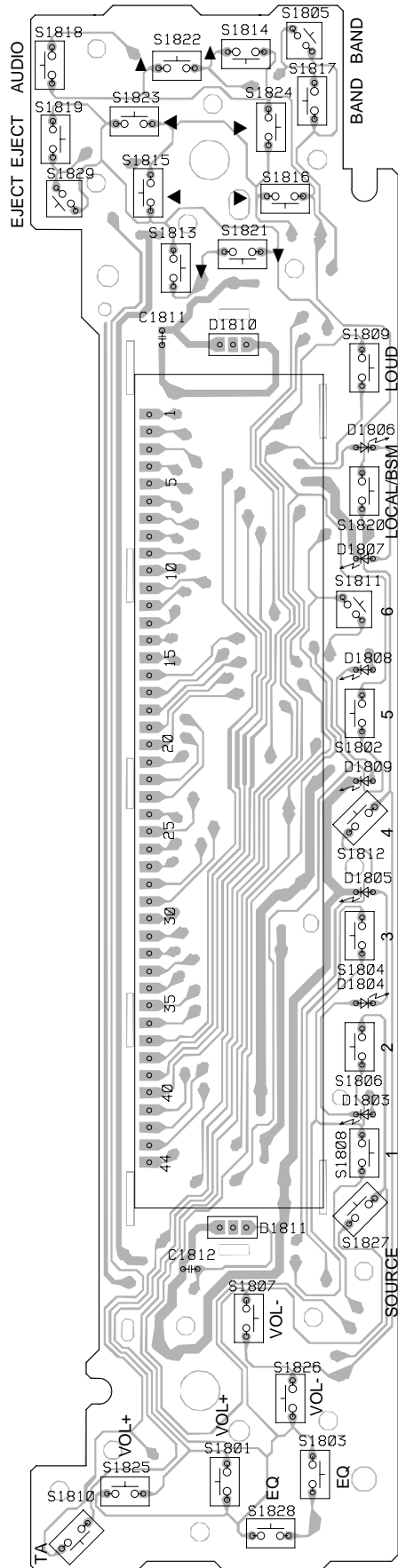
# 4.2 KEYBOARD UNIT

## B KEYBOARD UNIT

### SIDE A

## B KEYBOARD UNIT

### SIDE B



IC, Q

IC1801

A CN831

B



A

B

C

D

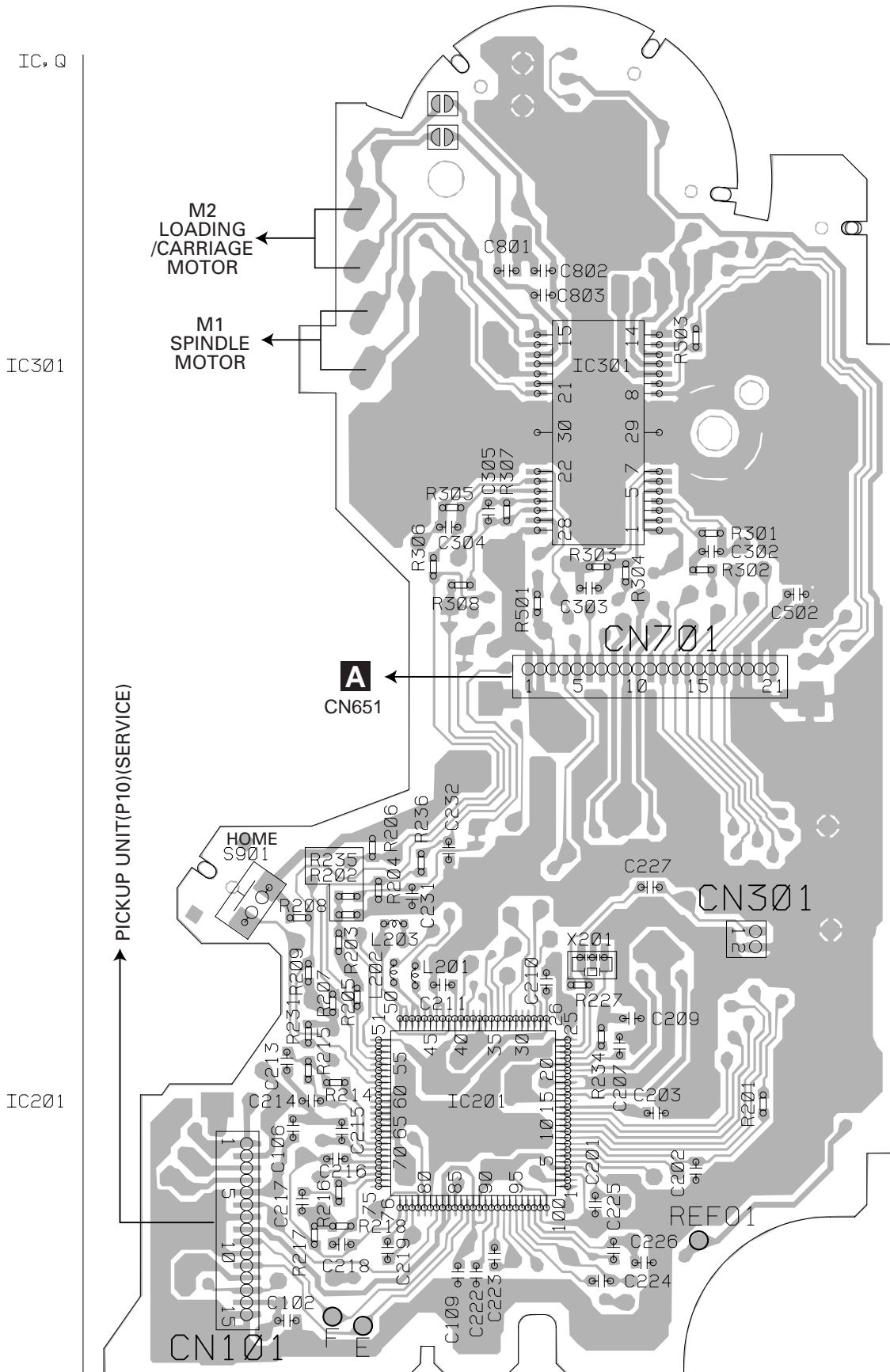
E

F

# 4.3 CD MECHANISM MODULE

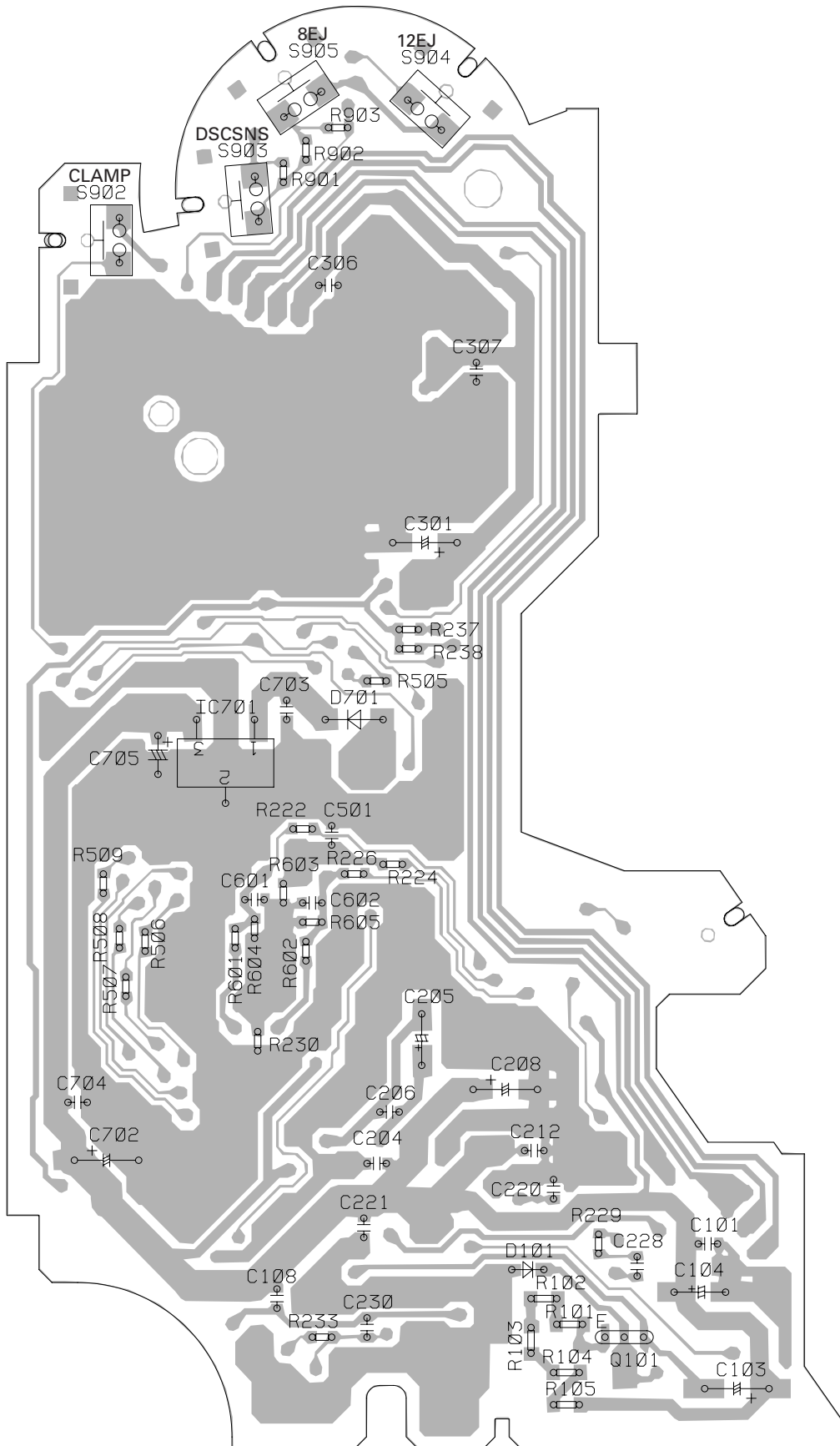
## C CD CORE UNIT(S10.1)

SIDE A



# C CD CORE UNIT(S10.1)

SIDE B



IC, Q

IC701

Q101

A  
B  
C  
D  
E  
F



# 5. ELECTRICAL PARTS LIST

## NOTE:

- Parts whose parts numbers are omitted are subject to being not supplied.
- The part numbers shown below indicate chip components.

### Chip Resistor

RS1/○S○○○○J,RS1/○○S○○○○J

### Chip Capacitor (except for CQS.....)

CKS....., CCS....., CSZS.....

### Circuit Symbol and No.

### Part No.

### Circuit Symbol and No.

### Part No.

D 932	Diode	HZS7L(A1)
D 951	Diode	DAN202U
D 981	Diode	S5688G
D 982	Diode	S5688G
D 983	Diode	S5688G
D 991	Diode	HZS9L(B1)
L 151	Inductor	LAU2R2K
L 401	Inductor	LAU1R0K
L 402	Inductor	LAU1R0K
L 404	Ferri-Inductor	LAU4R7K
L 601	Inductor	LAU1R0K
L 801	Inductor	LAU2R2K
L 901	Choke Coil 600μH	CTH1280
L 951	Inductor	LAU2R2K
X 601	Radiator 12.58291MHz	CSS1402
FU352	Fuse 3A	CEK1286
AR401	Surge Protector Fuse 10A FM/AM Tuner Unit	DSP-201M-S00B CEK1208 CWE1645

# A

Unit Number:YWM5007(DEH-1630R/XU/EW)  
Unit Number:YWM5001(DEH-1600R/XU/EW)  
Unit Number:YWM5019(DEH-1600RB/XU/EW)  
Unit Name:Tuner Amp Unit

## MISCELLANEOUS

IC 151	IC	PML003AM
IC 302	IC	TDA7386
IC 551	IC	TPD1018F
IC 601	IC	PE5329B
IC 652	IC	TC7SET08FU
IC 961	IC	S-80834CNY
IC 981	IC	NJM2391DL1-33
Q 352	Transistor	IMH3A
Q 401	Transistor	IMH1A
Q 402	Transistor	IMH1A
Q 452	Transistor	DTC124EU
Q 453	Transistor	DTA124EU
Q 801	Transistor	2SA1036K
Q 821	Transistor	2SA1036K
Q 822	Transistor	DTC114EU
Q 911	Transistor	2SD2396
Q 912	Transistor	IMD2A
Q 921	Transistor	2SD2396
Q 922	Transistor	2SB1243
Q 923	Transistor	DTC114EU
Q 931	Transistor	IMX1
Q 951	Transistor	2SA1037K
Q 991	Transistor	2SD2396
Q 992	Transistor	IMD2A
D 452	Diode	DAN202U
D 551	Diode	S5688G
D 552	Diode	S5688G
D 831	Diode	1SS133
D 832	Diode	1SS133
D 833	Diode	1SS133
D 834	Diode	1SS133
D 835	Diode	1SS133
D 836	Diode	1SS133
D 901	Diode	S5688G
D 902	Diode	S5688G
D 911	Diode	S5688G
D 912	Diode	HZS6L(B2)
D 921	Diode	HZS9L(B3)
D 931	Diode	HZS7L(C3)

## RESISTORS

R 153	RS1/16S101J
R 154	RS1/16S101J
R 155	RS1/16S101J
R 156	RS1/16S101J
R 157	RAB4C102J
R 301	RD1/4PU153J
R 353	RS1/16S821J
R 354	RS1/16S821J
R 357	RS1/16S223J
R 358	RS1/16S223J
R 401	RS1/16S223J
R 402	RS1/16S223J
R 403	RS1/16S223J
R 404	RS1/16S223J
R 405	RS1/16S681J
R 406	RS1/16S681J
R 407	RS1/16S681J
R 408	RS1/16S681J
R 409	RS1/16S681J
R 410	RS1/16S681J
R 414	RS1/16S102J
R 418	RD1/4PU221J
R 420	RS1/16S681J
R 454	RS1/16S103J
R 455	RS1/16S153J
R 456	RS1/16S221J
R 457	RD1/4PU681J

<u>Circuit Symbol and No.</u>	<u>Part No.</u>	<u>Circuit Symbol and No.</u>	<u>Part No.</u>
R 601	RS1/16S473J	C 152	CKSRYB224K16
R 603	RS1/16S103J	C 153	CKSRYB105K10
R 604	RS1/16S103J	C 154	CKSRYB105K10
		C 155	CEJQ4R7M35
R 605	RS1/16S221J		
R 606	RS1/16S104J	C 156	CEJQ4R7M35
R 607	RD1/4PU222J	C 157	CKSRYB153K50
R 608	RS1/16S0R0J	C 158	CKSRYB153K50
R 609	RD1/4PU473J	C 161	CCSRCH100D50
		C 162	CCSRCH100D50
R 610	RD1/4PU681J		
R 611	RS1/16S473J	C 163	CCSRCH100D50
R 621	RD1/4PU102J	C 164	CCSRCH100D50
R 622	RD1/4PU102J	C 165	CKSRYB104K16
R 633	RS1/16S104J	C 166	CEJQ470M10
		C 167	CEJQ100M16
R 653	RS1/16S104J		
R 654	RS1/16S102J	C 301	CFTNA224J50
R 661	RS1/16S221J	C 302	CFTNA224J50
R 801	RS1/16S153J	C 303	CFTNA224J50
R 802	RS1/16S153J	C 304	CFTNA224J50
		C 309	CKSQYB225K10
R 803	RS1/16S222J		
R 821	RD1/4PU222J	C 310	CKSQYB225K10
R 823	RS1/16S103J	C 311	CEJQ2R2M50
R 833	RD1/4PU222J	C 312	CEJQ100M16
R 834	RD1/4PU222J	C 313	CKSRYB104K16
		C 353	CEJQ2R2M50
R 836	RD1/4PU104J		
R 837	RD1/4PU103J	C 354	CEJQ2R2M50
R 838	RD1/4PU102J	C 401	CKSRYB103K50
R 841	RS1/16S1R0J	C 402	CKSRYB103K50
R 848	RD1/4PU102J	C 403	CEJQ470M6R3
		C 404	CEJQ101M10
R 851	RD1/4PU102J		
R 911	RS1/16S223J	C 405	CKSRYB103K50
R 912	RD1/4PU152J	C 420	CCSRCH470J50
R 921	RS1/16S0R0J	C 451	CEJQ330M10
R 923	RD1/4PU681J	C 551	CKSQYB103K50
		C 552	CKSQYB103K50
R 924	RD1/4PU122J		
R 925	RS1/16S103J	C 601	CKSRYB103K50
R 931	RS1/16S473J	C 604	CCSRCH200J50
R 932	RS1/16S104J	C 605	CCSRCH200J50
R 933	RD1/4PU102J	C 610	CEJQ4R7M35
		C 611	CKSRYB224K16
R 934	RS1/16S472J		
R 935	RS1/16S473J	C 612	CCSRCH470J50
R 936	RS1/16S223J	C 654	CKSRYB104K16
R 940	RS1/16S104J	C 801	CKSRYB104K16
R 941	RS1/16S104J	C 901	CCH1494
		C 911	CEJQ470M10
R 951	RD1/4PU153J		
R 952	RS1/16S472J	C 912	CKSRYB103K50
R 953	RS1/16S472J	C 913	CCH1331
R 954	RS1/16S102J	C 921	CCH1326
R 955	RS1/16S473J	C 922	CEJQ101M16
		C 923	CKSRYB103K50
R 961	RS1/16S102J		
R 962	RS1/16S822J	C 961	CKSRYB473K50
R 971	RS1/16S0R0J	C 963	CEJQ100M16
R 981	RD1/4PU1R8J	C 981	CKSYB475K10
R 991	RD1/4PU221J	C 982	CKSRYB103K50
		C 983	CEJQ220M16
R 992	RD1/4PU221J		
R 993	RS1/16S222J	C 991	CKSRYB473K50
R 994	RS1/16S472J	C 992	CEJQ101M10

**CAPACITORS**

C 151

CKSRYB224K16

**B**

Unit Number: YWM5008(DEH-1630R/XU/EW)

Circuit Symbol and No.Part No.

Unit Number:YWM5020(DEH-1600RB/XU/EW)

Unit Name:Keyboard unit

MISCELLANEOUS

IC 1801	IC	PD6340A
D 1801	Diode	MA152WK
D 1802	Diode	MA152WA
D 1803	LED	SML-310VT
D 1804	LED	SML-310VT

D 1805	LED	SML-310VT
D 1806	LED	SML-310VT
D 1807	LED	SML-310VT
D 1808	LED	SML-310VT
D 1809	LED	SML-310VT

D 1810	LED	CL-490S-WF-SD
D 1811	LED	CL-490S-WF-SD
X 1801	Ceramic Resonator 5.00MHz	CSS1547
IL 1801	Lamp 40mA 14V	CEL1662
IL 1802	Lamp 40mA 14V	CEL1662

LCD1801	LCD(DEH-1630R)	CAW1779
LCD1801	LCD(DEH-1600RB)	YAW5006

RESISTORS

R 1801	RS1/16S222J
R 1802	RS1/16S222J
R 1803	RS1/16S471J
R 1804	RS1/16S471J
R 1805	RS1/16S471J

R 1806	RS1/16S471J
R 1807	RS1/16S151J
R 1808	RS1/16S181J
R 1809	RS1/16S181J
R 1810	RS1/16S181J

R 1811	RS1/16S151J
R 1812	RS1/16S181J
R 1813	RS1/16S181J
R 1814	RS1/16S181J
R 1815	RS1/16S151J

R 1816	RS1/16S181J
R 1817	RS1/16S181J
R 1818	RS1/16S181J
R 1819	RS1/16S131J
R 1820	RS1/16S131J

CAPACITORS

C 1801	CKSRYB103K50
C 1811	CKSRYF104Z25
C 1812	CKSRYF104Z25

**B**

Unit Number:YWM5002(DEH-1600R/XU/EW)

Unit Name:Keyboard unit

MISCELLANEOUS

IC 1801	IC	PD6340A
D 1801	Diode	MA152WK
D 1802	Diode	MA152WA
D 1803	LED	SML-310PT
D 1804	LED	SML-310PT

Circuit Symbol and No.Part No.

D 1805	LED	SML-310PT
D 1806	LED	SML-310PT
D 1807	LED	SML-310PT
D 1808	LED	SML-310PT
D 1809	LED	SML-310PT

D 1810	LED	CL-490S-WF-SD
D 1811	LED	CL-490S-WF-SD
X 1801	Ceramic Resonator 5.00MHz	CSS1547
IL 1801	Lamp 40mA 14V	CEL1651
IL 1802	Lamp 40mA 14V	CEL1651

LCD1801	LCD	CAW1731
---------	-----	---------

RESISTORS

R 1801	RS1/16S222J
R 1802	RS1/16S222J
R 1803	RS1/16S471J
R 1804	RS1/16S471J
R 1805	RS1/16S471J

R 1806	RS1/16S471J
R 1807	RS1/16S151J
R 1808	RS1/16S181J
R 1809	RS1/16S181J
R 1810	RS1/16S181J

R 1811	RS1/16S151J
R 1812	RS1/16S181J
R 1813	RS1/16S181J
R 1814	RS1/16S181J
R 1815	RS1/16S151J

R 1816	RS1/16S151J
R 1817	RS1/16S151J
R 1818	RS1/16S151J
R 1819	RS1/16S131J
R 1820	RS1/16S131J

CAPACITORS

C 1801	CKSRYB103K50
C 1811	CKSRYF104Z25
C 1812	CKSRYF104Z25

**C**

Unit Number:CWX2947

Unit Name:CD CORE UNIT(S10.1)

MISCELLANEOUS

IC 201	IC	UPD63712AGC
IC 301	IC	BA5835FP
IC 701	IC	NJM2391DL1-33
Q 101	Transistor	2SB1132
D 101	Diode	1SS355

D 701	Diode	1SR154-400
X 201	Ceramic Resonator 16.934MHz	CSS1603
S 901	Switch(HOME)	CSN1051
S 902	Switch(CLAMP)	CSN1051
S 903	Spring Switch(DSCSNS)	CSN1052

S 904	Switch(12EJ)	CSN1051
S 905	Switch(8EJ)	CSN1051

RESISTORS

<u>Circuit Symbol and No.</u>	<u>Part No.</u>	<u>Circuit Symbol and No.</u>	<u>Part No.</u>
R 101	RS1/10S1R5J	C 212	CKSRYB104K16
R 102	RS1/10S1R5J	C 213	CKSRYB332K50
R 103	RS1/10S1R5J	C 214	CKSRYB473K25
R 104	RS1/10S1R5J	C 215	CKSRYB104K16
R 105	RS1/10S1R5J	C 216	CKSRYB103K25
		C 217	CCSRCH560J50
R 201	RS1/16S102J		
R 202	RS1/16S1002D	C 218	CCSRCH5R0C50
R 203	RS1/16S1002D	C 219	CKSRYB104K16
R 204	RS1/16S1002D	C 220	CKSRYB104K16
R 205	RS1/16S1002D	C 221	CKSRYB104K16
		C 222	CKSRYB103K25
R 206	RS1/16S1002D		
R 207	RS1/16S1002D	C 223	CCSRCH680J50
R 208	RS1/16S1002D	C 224	CCSRCH470J50
R 209	RS1/16S1002D	C 225	CKSRYB682K50
R 214	RS1/16S103J	C 231	CKSRYB102K50
		C 232	CKSRYB102K50
R 215	RS1/16S393J		
R 216	RS1/16S122J	C 301	100µF/16V CCH1504
R 217	RS1/16S562J	C 302	CCSRCH221J50
R 218	RS1/16S472J	C 303	CCSRCH221J50
R 234	RS1/16S0R0J	C 304	CKSRYB472K50
		C 305	CKSRYB103K25
R 235	RS1/16S103J		
R 236	RS1/16S103J	C 306	CKSRYB104K16
R 301	RS1/16S183J	C 501	CKSRYB103K25
R 302	RS1/16S822J	C 502	CKSRYB103K25
R 303	RS1/16S183J	C 702	100µF/16V CCH1504
		C 703	CKSRYB104K16
R 304	RS1/16S822J		
R 305	RS1/16S183J	C 705	10µF/6.3V CCH1470
R 306	RS1/16S183J		
R 307	RS1/16S183J		
R 308	RS1/16S183J		
R 501	RS1/16S102J		
R 503	RS1/16S102J	M 1	Pickup Unit(P10)(Service) CXX1647
R 505	RS1/16S102J	M 2	Motor Unit(SPINDLE) CXB6007
R 506	RS1/16S221J		Motor Unit(LOADING/CARRIAGE)CXB8933
R 507	RS1/16S221J		
R 508	RS1/16S221J		
R 509	RS1/16S221J		
R 601	RS1/16S101J		
R 602	RS1/16S101J		
R 603	RS1/16S0R0J		
R 901	RS1/16S104J		
R 902	RS1/16S473J		
R 903	RS1/16S273J		

### Miscellaneous Parts List

M 1	Pickup Unit(P10)(Service)	CXX1647
M 2	Motor Unit(SPINDLE)	CXB6007
	Motor Unit(LOADING/CARRIAGE)	CXB8933

### CAPACITORS

C 101		CKSRYB104K16
C 102		CKSRYB104K16
C 103	100µF/16V	CCH1504
C 104	47µF/6.3V	CCH1506
C 108		CKSRYB104K16
C 109		CKSRYB104K16
C 201		CKSRYB104K16
C 202		CKSRYB471K50
C 205	22µF/6.3V	CCH1507
C 206		CKSRYB103K25
C 207		CKSRYB104K16
C 209		CKSRYB104K16
C 210		CKSRYB104K16
C 211		CKSRYB104K16

## 6. ADJUSTMENT

### 6.1 CD ADJUSTMENT

#### 1) Cautions on adjustments

• In this product the single voltage (3.3V) is used for the regulator. The reference voltage is the REFO1 (1.65V) instead of the GND.

If you should mistakenly short the REFO1 with the GND during adjustment, accurate voltage will not be obtained, and the servo's misoperation will apply excessive shock to the pickup. To avoid such problems:

- Do not mix up the REFO1 with the GND when connecting the (-) probe of measuring instruments. Especially on an oscilloscope, avoid connecting the (-) probe for CH1 to the GND.
- In many cases, measuring instruments have the same potential as that for the (-) probe. Be sure to set the measuring instruments to the floating state.
- If you have mistakenly connected the REFO1 to the GND, turn off the regulator or the power immediately.

• Before mounting and removing filters or leads for adjustment, be sure to turn off the regulator.

• For stable circuit operation, keep the mechanism operating for about one minute or more after the regulator is turned on.

• In the test mode, any software protections will not work. Avoid applying any mechanical or electrical shock to the mechanism during adjustment.

• The RFI and RFO signals with a wide frequency range are easy to oscillate. When observing the signals, insert a resistor of 1k ohms in series.

• The load and eject operation is not guaranteed with the mechanism upside down. If the mechanism is blocked due to mistaken eject operation, reset the product or turn off and on the ACC to restore it.

#### 2) Test mode

This mode is used to adjust the CD mechanism module.

• To enter the test mode.

While pressing the 4 and 6 keys at the same time, reset.

• To exit from the test mode.

Turn off the ACC and back up.

#### Notes:

a. During ejection, do not press any other keys than the EJECT key until the loaded disc is ejected.

b. If you have pressed the (→) key or (←) key during focus search, turn off the power immediately to protect the actuator from damage caused by the lens stuck.

c. For the TR jump modes except 100TR, the track jump operation will continue even if the key is released.

d. For the CRG move and 100TR jump modes, the tracking loop will be closed at the same time when the key is released.

e. When the power is turned off and on, the jump mode is reset to the single TR (91), the RF amp gain is set to 0dB, and the auto-adjustment values are reset to the default settings.



## 6.2 CHECKING THE GRATING AFTER CHANGING THE PICKUP UNIT



### • Note :

The grating angle of the PU unit cannot be adjusted after the PU unit is changed. The PU unit in the CD mechanism module is adjusted on the production line to match the CD mechanism module and is thus the best adjusted PU unit for the CD mechanism module. Changing the PU unit is thus best considered as a last resort. However, if the PU unit must be changed, the grating should be checked using the procedure below.

### • Purpose :

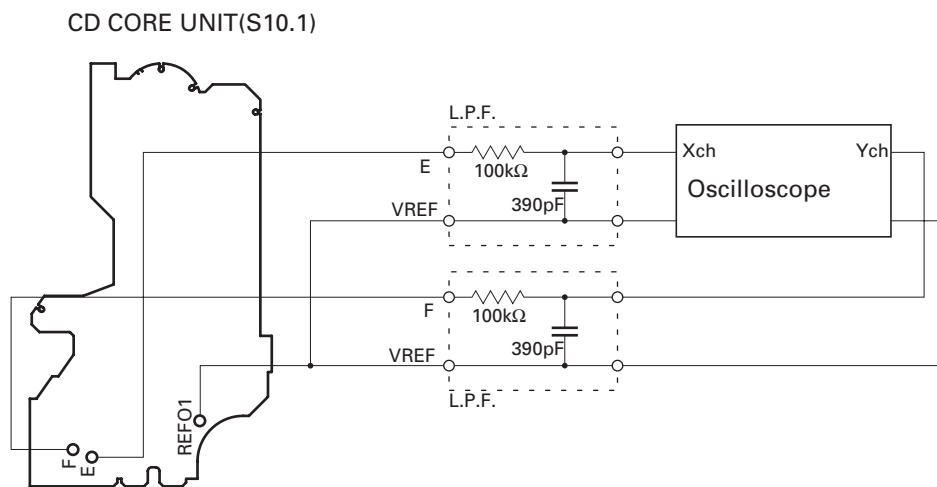
To check that the grating is within an acceptable range when the PU unit is changed.

### • Symptoms of Mal-adjustment :

If the grating is off by a large amount symptoms such as being unable to close tracking, being unable to perform track search operations, or taking a long time for track searching.

### • Method :

- |                       |                            |
|-----------------------|----------------------------|
| • Measuring Equipment | • Oscilloscope, Two L.P.F. |
| • Measuring Points    | • E, F, REFO1              |
| • Disc                | • ABEX TCD-782             |
| • Mode                | • TEST MODE                |



### • Checking Procedure

1. In test mode, load the disc and switch the 3V regulator on.
2. Using the → and ← buttons, move the PU unit to the innermost track.
3. Press key 3 to close focus, the display should read "91". Press key 2 to implement the tracking balance adjustment the display should now read "81". Press key 3. The display will change, returning to "81" on the fourth press.
4. As shown in the diagram above, monitor the LPF outputs using the oscilloscope and check that the phase difference is within  $75^\circ$ . Refer to the photographs supplied to determine the phase angle.
5. If the phase difference is determined to be greater than  $75^\circ$  try changing the PU unit to see if there is any improvement. If, after trying this a number of times, the grating angle does not become less than  $75^\circ$  then the mechanism should be judged to be at fault.

### • Note

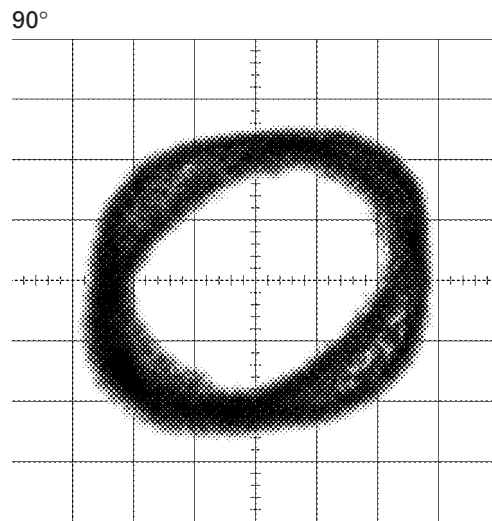
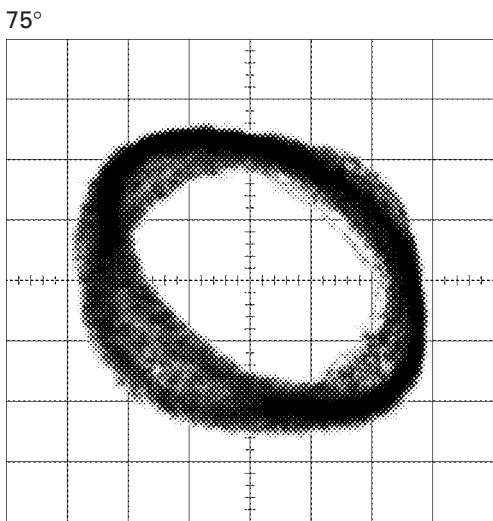
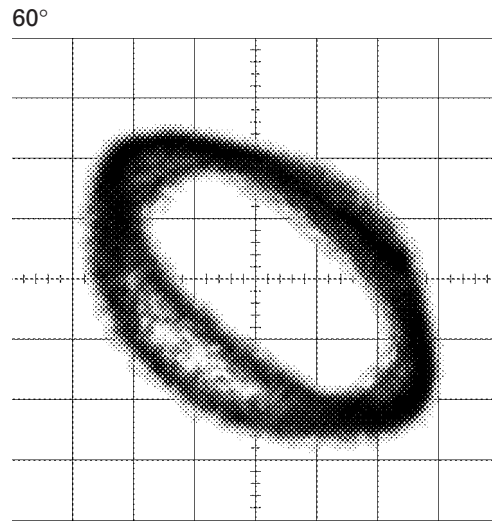
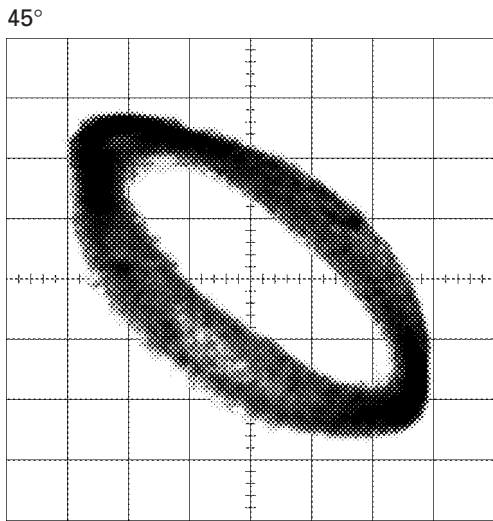
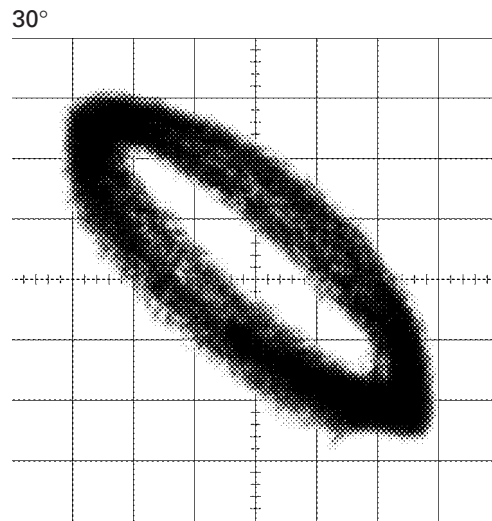
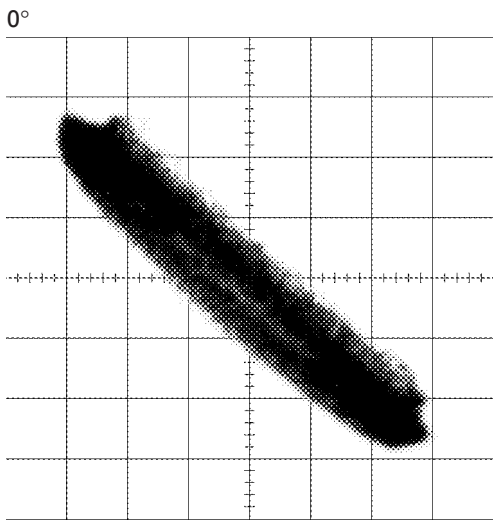
Because of eccentricity in the disc and a slight misalignment of the clamping center the grating waveform may be seen to "wobble" ( the phase difference changes as the disc rotates). The angle specified above indicates the average angle.

### • Hint

Reloading the disc changes the clamp position and may decrease the "wobble".

### Grating waveform

Ech → Xch 20mV/div, AC  
Fch → Ych 20mV/div, AC



## 6.3 ERROR MODE

### ● Error Messages

If a CD is not operative or stopped during operation due to an error, the error mode is turned on and cause(s) of the error is indicated with a corresponding number. This arrangement is intended at reducing nonsense calls from the users and also for facilitating trouble analysis and repair work in servicing.

#### (1) Basic Indication Method

1) When SERRORM is selected for the CSMOD (CD mode area for the system), error codes are written to DMIN (minutes display area) and DSEC (seconds display area). The same data is written to DMIN and DSEC. DTNO remains in blank as before.

#### 2) Head unit display examples

Depending on display capability of LCD used, display will vary as shown below. xx contains the error number.

8-digit display	6-digit display	4-digit display
ERROR-xx	ERR-xx	E-xx

#### (2) Error Code List

Code	Class	Displayed error code	Description of the code and potential cause(s)
10	Electricity	Carriage Home NG SERVO LSI Com- munication Error	CRG can't be moved to inner diameter. CRG can't be moved from inner diameter. → Failure on home switch or CRG move mechanism. Communication error between microcomputer and SERVO LSI.
11	Electricity	Focus Servo NG	Focusing not available. → Stains on rear side of disc or excessive vibrations on REWRITABLE.
12	Electricity	Spindle Lock NG Subcode NG	Spindle not locked. Sub-code is strange (not readable). → Failure on spindle, stains or damages on disc, or excessive vibrations. A disc not containing CD-R data is found. Turned over disc are found, though rarely. CD signal error.
17	Electricity	Setup NG	AGC protection doesn't work. Focus can be easily lost. → Damages or stains on disc, or excessive vibrations on REWRITABLE.
30	Electricity	Search Time Out	Failed to reach target address. → CRG tracking error or damages on disc.
44	Electricity	ALL Skip	Skip setting for all track. (CD-R/RW)
50	Mechanism	CD On Mech Error	Mechanical error during CD ON. → Defective loading motor, mechanical lock and mechanical sensor.
A0	System	Power Supply NG	Power (VD) is ground faulted. → Failure on SW transistor or power supply (failure on connector).

Remarks: Mechanical errors are not displayed (because a CD is turned off in these errors).

Unreadable TOC does not constitute an error. An intended operation continues in this case.

Upper digits of an error code are subdivided as shown below:

1x: Setup relevant errors, 3x: Search relevant errors, Ax: Other errors.

# 7. GENERAL INFORMATION

## 7.1 DIAGNOSIS

### 7.1.1 DISASSEMBLY

#### ● Removing the Case (not shown)

1. Remove the Case.

#### ● Removing the CD Mechanism Module (Fig.1)

**1** Remove the four screws.

Disconnect the connector and then remove the CD Mechanism Module.

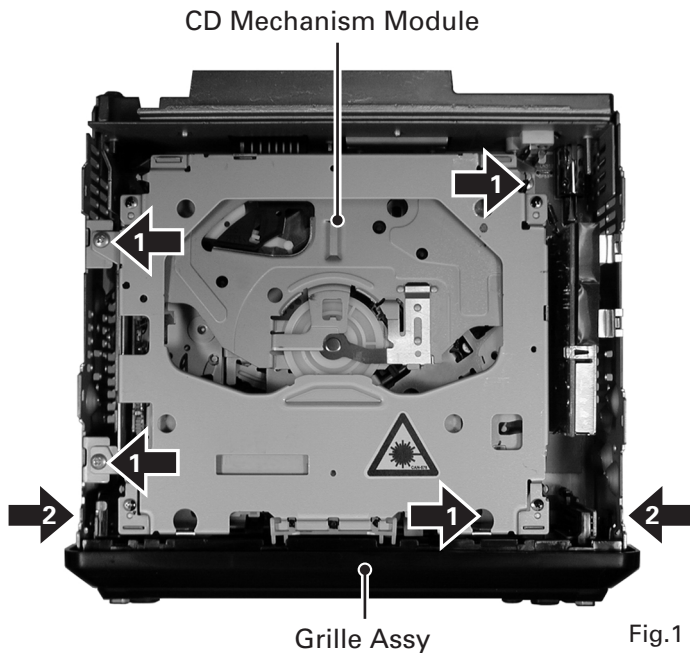


Fig.1

#### ● Removing the Tuner Amp Unit (Fig.2)

**1** Remove the screw.

**2** Remove the three screws.

**3** Straighten the tabs at three locations indicated.

**4** Remove the screw and then remove the Tuner Amp Unit.

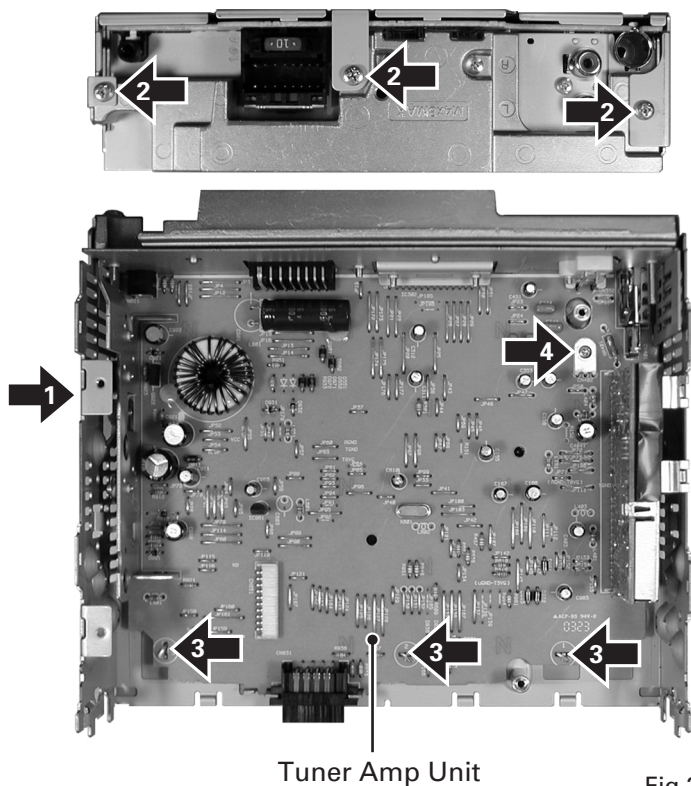


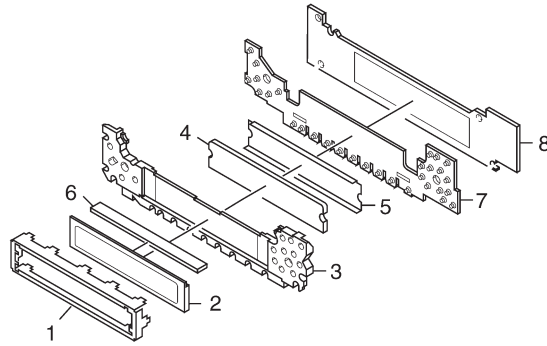
Fig.2

### ● How to assemble Keyboard Unit

1. Assemble them in order from "1" to "8". (See the figure below.)
2. After that, bend the crows (7 in total) until they get the right angles with the marks printed on "8".

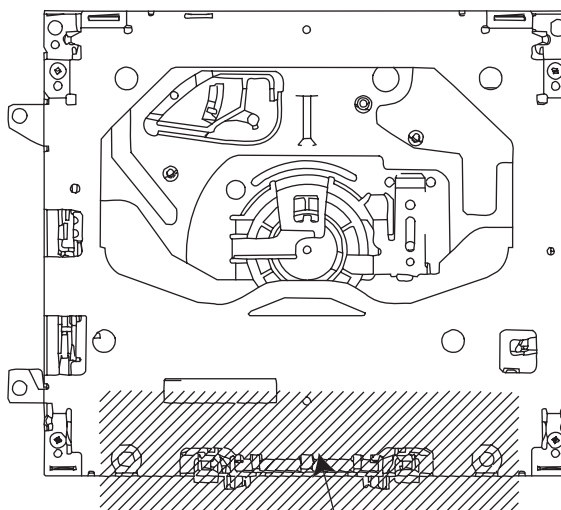
Note) If "5" is not set collectly, defective contact may occur on "6".

To avoid this problem, hold "5" using "7" just before putting "8".



● **How to hold the Mechanism Unit**

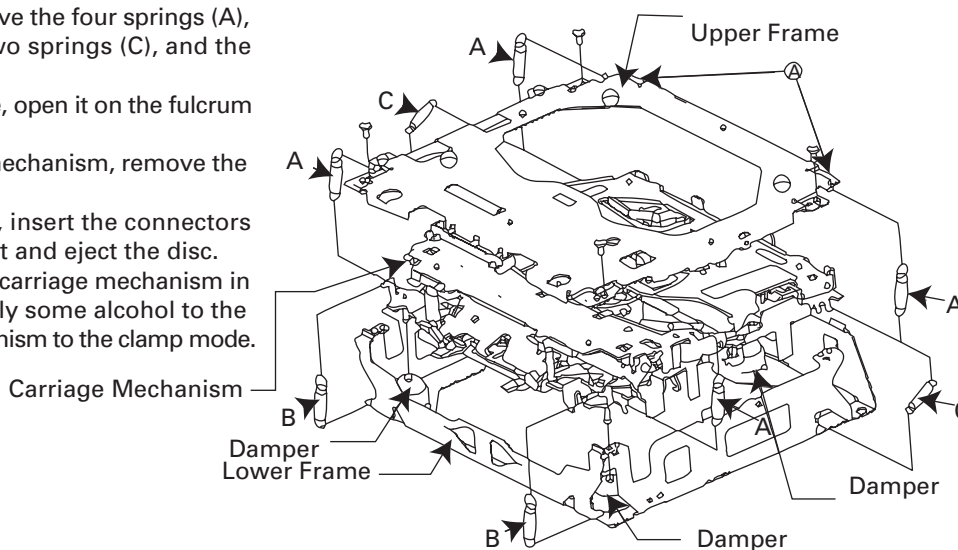
- 1. Hold the top and bottom frame.
- 2. Do not squeeze top frame's front portion too tight, because it is fragile.



Do not squeeze.

● **Removing the Upper and Lower Frames**

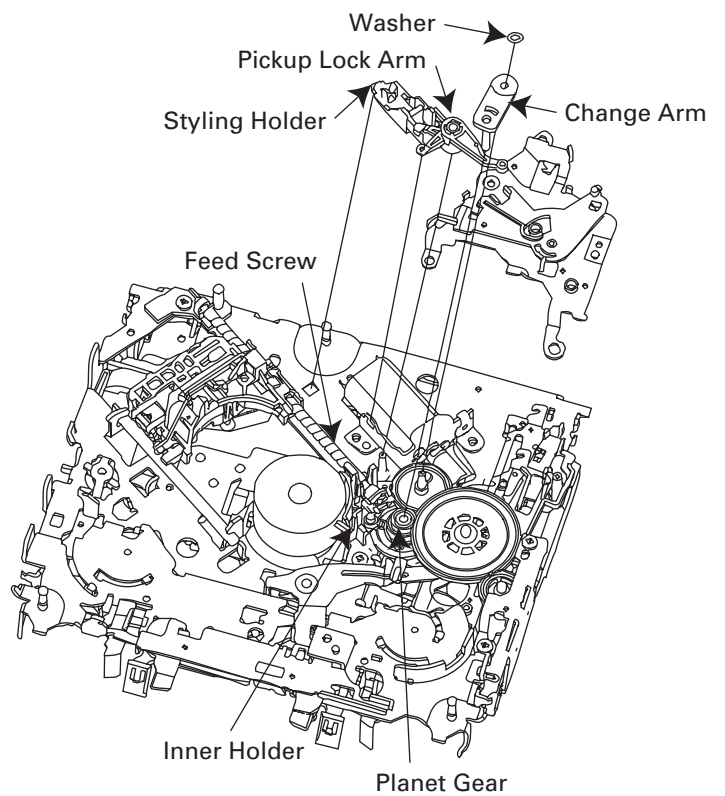
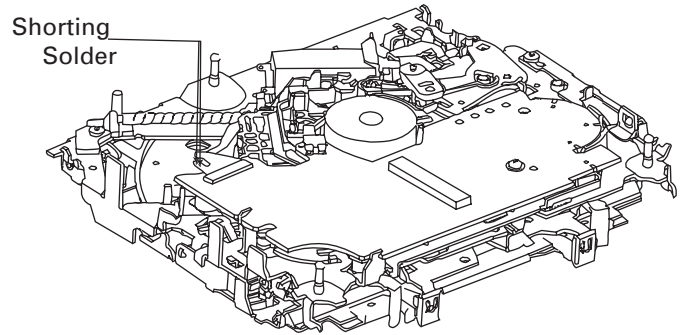
- 1. With a disc clamped, remove the four springs (A), the two springs (B), the two springs (C), and the four screws.
  - 2. To remove the upper frame, open it on the fulcrum A.
  - 3. While lifting the carriage mechanism, remove the three dampers.
  - 4. With the frames removed, insert the connectors coming from the main unit and eject the disc.
- Caution: Before installing the carriage mechanism in the frames, be sure to apply some alcohol to the dampers and set the mechanism to the clamp mode.



### ● Removing the Pickup Unit

1. Apply shorting solder to the Pickup flexible cable. Disconnect the cable.
2. Set the mechanism to the clamp mode.
3. Remove the lead wires from the inner holder.
4. Remove the washer, styling holder, change arm, and pickup lock arm.
5. While releasing from the hook of the inner holder, lift the end of the feed screw.

Caution: In assembling, move the planet gear to the load/eject position before setting the feed screw in the inner holder.



### 7.1.2 CONNECTOR FUNCTION DESCRIPTION

A

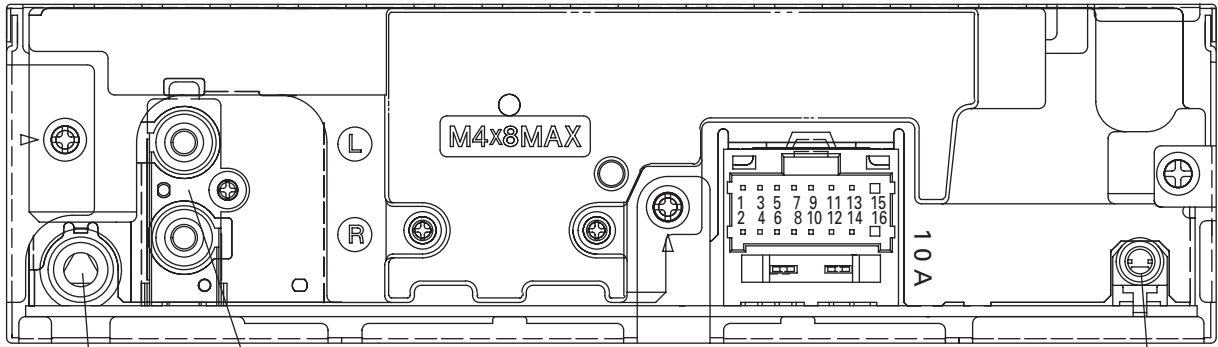
B

C

D

E

F



ANTENNA JACK

REAR OUTPUT

JACK FOR THE WIRED REMOTE CONTROL

Pin No.		Pin No.	
1	FR+	9	MUTE
2	RR+	10	-
3	FR-	11	B.REMOTE
4	RR-	12	-
5	FL+	13	-
6	RL+	14	ACC
7	FL-	15	GND
8	RL-	16	B.UP



## 7.2 PARTS

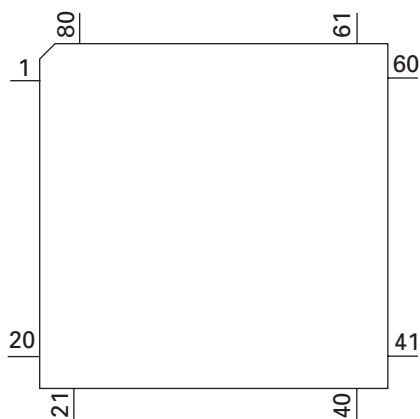
### 7.2.1 IC

#### ● Pin Functions(PE5329B)

Pin No.	Pin Name	I/O	Function and Operation
1	MODEL1		Model port 1
2,3	NC		Not used
4	AVSS		A/D GND
5,6	NC		Not used
7	AVREF1		A/D converter reference voltage
8	KYDT	I	Key data input
9	DPDT	O	Display data output
10	NC		Not used
11	TUNPDI	I	PLL IC data input
12	TUNPDO	O	PLL IC data output
13	TUNPCK	O	PLL IC clock output
14	PCL	O	Clock adjustment output
15	TESTIN	I	Test program mode input
16	XSI	I	Serial data input
17	XSO	O	Serial data output
18	XSCK	O	Serial data clock output
19,20	NC		Not used
21	SWVDD	O	Keyboard unit power supply control output
22	ILMPW	O	Illumination power supply control output
23	NC		Not used
24	XRST	O	CD LSI reset output
25	XA0	O	CD LSI identification control signal output
26	XSTB	O	CD LSI strobe output
27	CLAMSW	O	Disc clamp switch output (CD)
28	CONT	O	Servo driver power supply control output
29	LOEJ	O	CD load motor LOAD/EJECT direction exchange output
30	CLCONT	O	Driver input select output
31	NC		Not used
32	DALMON	O	Stand-by output
33	VSS1		GND
34	TELIN	O	Telephone mute output
35,36	NC		Not used
37	ROMDATA	O	ROM collection data output
38,39	NC		Not used
40	RECIEVE		During RDS data reception output
41	VDCONT	O	VD control output
42	NC		Not used
43	SYSPW	O	System power supply control output
44	NC		Not used
45	PEE	O	Beep tone output
46	KEY2	I	Key data input (Remote control)
47	NC		Not used
48	MUTE	O	System mute output
49,50	NC		Not used
51	VST	O	Strobe pulse output for electronic volume
52	VDT	O	Data output for electronic volume
53	VCK	O	Clock output for electronic volume
54	NC		Not used
55	TUNPCE2	O	EEPROM chip enable output 2
56	TUNPCE1	O	EEPROM chip enable output 1
57	RDT	O	RDS demodulation data input
58	RDSLK	I	RDS LK signal input
59	RDS57K	I	RDS 57kHz pulse count input
60	RESET	I	Reset input
61	LDET	I	PLL lock sense input
62	RCK	I	RDS demodulation clock input
63	ASENS	I	ACC sense input

Pin No.	Pin Name	I/O	Function and Operation
64	BSENS	I	Back up sense input
65	DSSENS	I	Grille detach sense input
66	INTRQ	I	ATAPI HOST interrupt request input
67	VSS0		GND
68	VDD1		Power supply
69	X2		Crystal oscillator connection pin
70	X1		Crystal oscillator connection pin
71	IC(VPP)		Connect to GND
72	NC		Not used
73	XT1		Connect to GND
74	VDD0		Power supply
75	AVDD		Positive power supply terminal for analog circuit
76	SL	I	SD level input from tuner
77	NC		Not used
78	VDSSENS	I	VD power supply voltage sense input
79	DISCSSENS	I	CD DISC sense input
80	STRKEY1		Key data (Remote control)

\* PE5329B



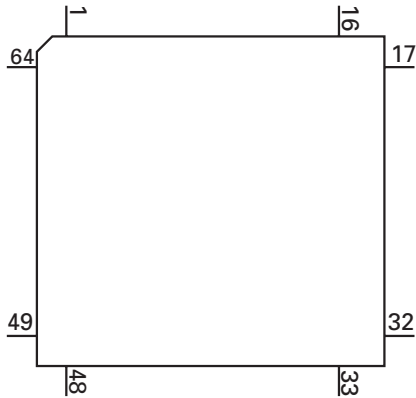
IC's marked by \* are MOS type.

Be careful in handling them because they are very liable to be damaged by electrostatic induction.

### ● Pin Functions(PD6340A)

Pin No.	Pin Name	I/O	Function and Operation
1-5	SEG4-0	O	LCD segment output
6-9	COM3-0	O	LCD common output
10	VLCD		LCD drive power supply
11-14	KST3-0	O	Key strobe output
15,16	KDT0,1	I	Key data input (analogue input)
17	REW	I	Remote control reception input
18	DPDT	I	Display data input
19	NC		Not used
20	KYDT	O	Key data output
21	MODA		GND
22	X0		Crystal oscillator connection pin
23	X1		Crystal oscillator connection pin
24	VSS		GND
25,26	KDT2,3	I	Key data input
27	NC		Not used
28	KST4	O	Key strobe output
29-32	NC		Not used
33-55	SEG35-13	O	LCD segment output
56	VDD		Power supply
57-64	SEG12-5	O	LCD segment output

\* PD6340A

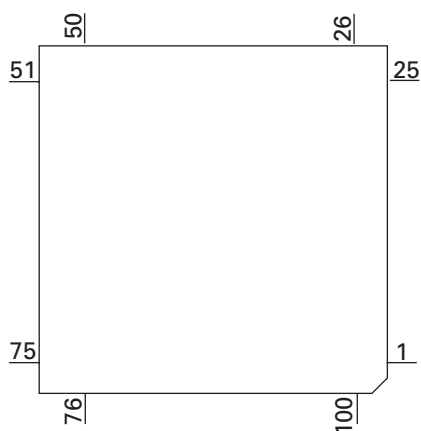


## ● Pin Functions(UPD63712AGC)

Pin No.	Pin Name	I/O	Function and Operation
1	LD	O	Output of LD
2	PD	I	Input of PD
3	PN	I	Assignment of pickup polarity
4	AVDD		Power supply for the analog system
5	DGND		Ground for digital circuits
6	RFOK	O	Output of RFOK
7	INTQ	O	Interruption signals to the external microcomputer
8	RST	I	Input of reset
9	A0	I	Command/Parameter discrimination signal input
10	STB	I	Data strobe signal input
11	SCK	I	Serial data clock input
12	SO	O	Serial data output
13	SI	I	Serial data input
14	DVDD		Power supply for digital circuits
15	DAVDD		Power supply for DAC
16	ROUT	O	Output of audio for the right channel
17	DAGND		GND for DAC
18	REGC		Connected to the capacitor for band gap
19	DAGND		GND for DAC
20	LOUT	O	Output of audio for the left channel
21	DAVDD		Power supply for DAC
22	XVDD		Power supply for the crystal oscillator
23	XTAL	O	Connected to the crystal oscillator
24	XTAL	I	Connected to the crystal oscillator
25	XGND		Ground for the crystal oscillator
26	DVDD		Power supply for digital circuits
27	C1D1	O	Information on error correction
28	C1D2	O	Information on error correction
29	C2D1	O	Information on error correction
30	C2D2	O	Information on error correction
31	C2D3	O	Information on error correction
32	LOCK	O	Output of LOCK
33	MIRR	O	MIRR signal
34	HOLD	O	HOLD signal
35	PLCK	O	Output of PLCK
36	C16M	O	Output of 16.9344MHz
37	DGND		Ground for digital circuits
38	TX	O	DAI output
39	EMPH	O	Pre-emphasis information output
40	FLAG	O	The flag for which output sound data cannot be corrected is outputted
41	DVDD		Power supply for digital circuits
42	LIMIT	I	Signal is inputted when the register can be read
43	XTALEN	I	Permission to oscillate
44	DGND		Ground for digital circuits
45	DIN	I	Input of audio data
46	DOUT	O	Output of audio data
47	SCKIN	I	Clock input for audio data
48	SCKO	O	Clock output for audio data
49	LRCKIN	I	Input of LRCK for audio data
50	LRCK	O	Output LRCK for audio data
51	DVDD		Power supply for digital circuits
52	FD+	O	Output of focus drive PWM
53	FD-	O	Output of focus drive PWM
54	TD+	O	Output of tracking drive PWM
55	TD-	O	Output of tracking drive PWM
56	SD+	O	Output of thread drive PWM
57	SD-	O	Output of thread drive PWM
58	MD+	O	Output of spindle drive PWM
59	MD-	O	Output of spindle drive PWM
60	DGND		Ground for digital circuits

Pin No.	Pin Name	I/O	Function and Operation
61	TESTEN	I	Connected to GND
62-66	TEST4-0	I	Connected to GND
67	ADGND		GND for DAC
68	EFM	O	Output of EFM signals
69	ASY	I	Input of asymmetry
70	ADVDD		Power supply for DAC
71	RFI	I	Input of RF
72, 73	EQ2, 1		Equalizer 2, 1
74	RF-	I	Reversal input of RF
75	RF2-	I	Reversal input of RF2
76	AGCO	O	Output of RF
77	AGCI	I	Input of AGC
78	RFO	O	Output of RF
79	ATEST	O	Analog tests
80	C3T		Connection to the capacitor for detecting 3T
81	AGND		Ground for the analog system
82	A	I	Input of A
83	C	I	Input of C
84	B	I	Input of B
85	D	I	Input of D
86	F	I	Input of F
87	E	I	Input of E
88	VREFIN	I	Photo-detector input bias voltage
89	AVDD		Power supply for the analog system
90	REFOUT	O	Output of reference voltage
91	REFC		Connected to the capacitor for output of REFOUT
92	FE-	I	Reversal input of FE
93	FEO	O	Output of FE
94	ADCIN	I	TEST
95	TE-	I	Reversal input of TE
96	TEO	O	Output of TE
97	TE2	O	TE2
98	TEC	I	TEC
99	AGND		Ground for the analog system
100	PWMSW	I	Servo PWM mode switching

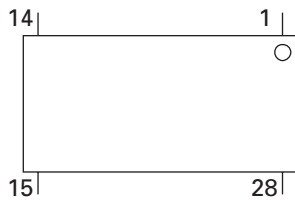
\* UPD63712AGC



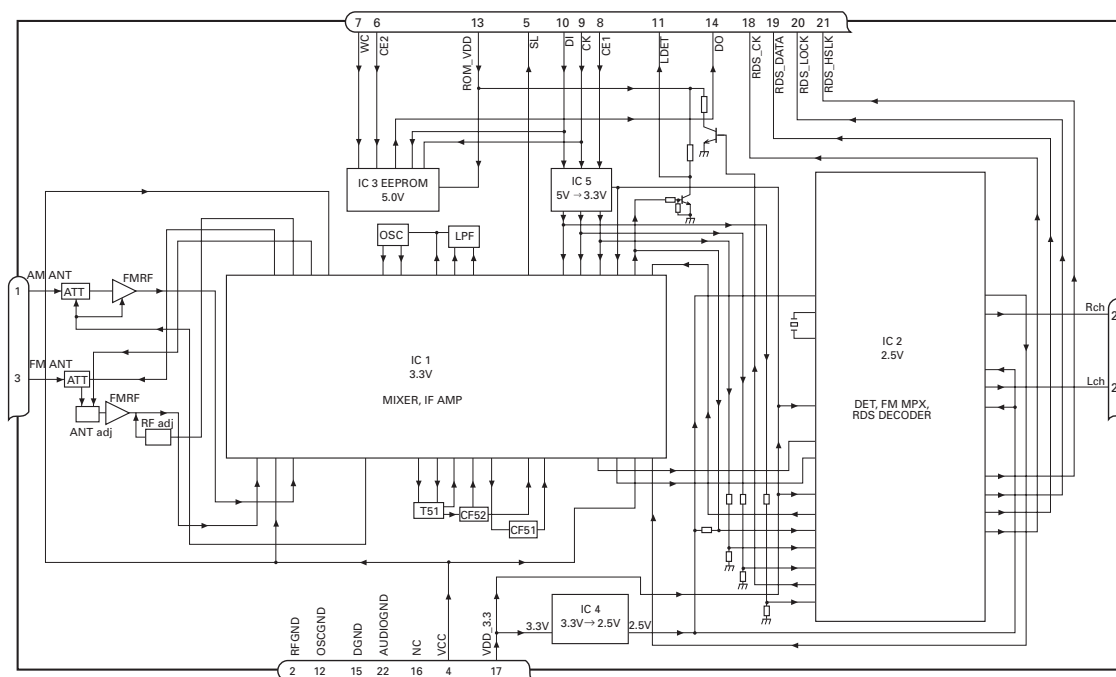
## ● Pin Functions(BA5835FP)

Pin No.	Pin Name	Function and Operation
1	VR	Input pin for reference voltage
2	OPIN2(+)	Input pin for non-inverting input for CH2 preamplifier
3	OPIN2(-)	Input pin for inverting input for CH2 preamplifier
4	OPOUT2	Output pin for CH2 preamplifier
5	OPIN1(+)	Input pin for non-inverting input for CH1 preamplifier
6	OPIN1(-)	Input pin for inverting input from CH1 preamplifier
7	OPOUT1	Output pin for CH1 preamplifier
8	GND	Ground pin
9	MUTE	Mute control pin
10	POWVCC1	Power supply pin for CH1, CH2, and CH3 at "Power" stage
11	VO1(-)	Driver CH1 - Negative output
12	VO1(+)	Driver CH2 - Positive output
13	VO2(-)	Driver CH2 - Negative output
14	VO2(+)	Driver CH2 - Positive output
15	VO3(+)	Driver CH2 - Positive output
16	VO3(-)	Driver CH2 - Negative output
17	VO4(+)	Driver CH4 - Positive output
18	VO4(-)	Driver CH4 - Negative output
19	POWVCC2	Power supply pin for CH4 at "Power" stage
20	GND	Ground pin
21	CNT	Control pin
22	LDIN	Loading input
23	OPOUTSL	Output pin for preamplifier for thread
24	OPINLSL	Input pin for preamplifier for thread
25	OPOUT3	CH3 preamplifier output pin
26	OPIN3(-)	Input pin for inverting input for CH3 preamplifier
27	OPIN3(+)	Input pin for non-inverting input for CH3 preamplifier
28	PREVCC	PreVcc

BA5835FP



## ● FM/AM Tuner Unit



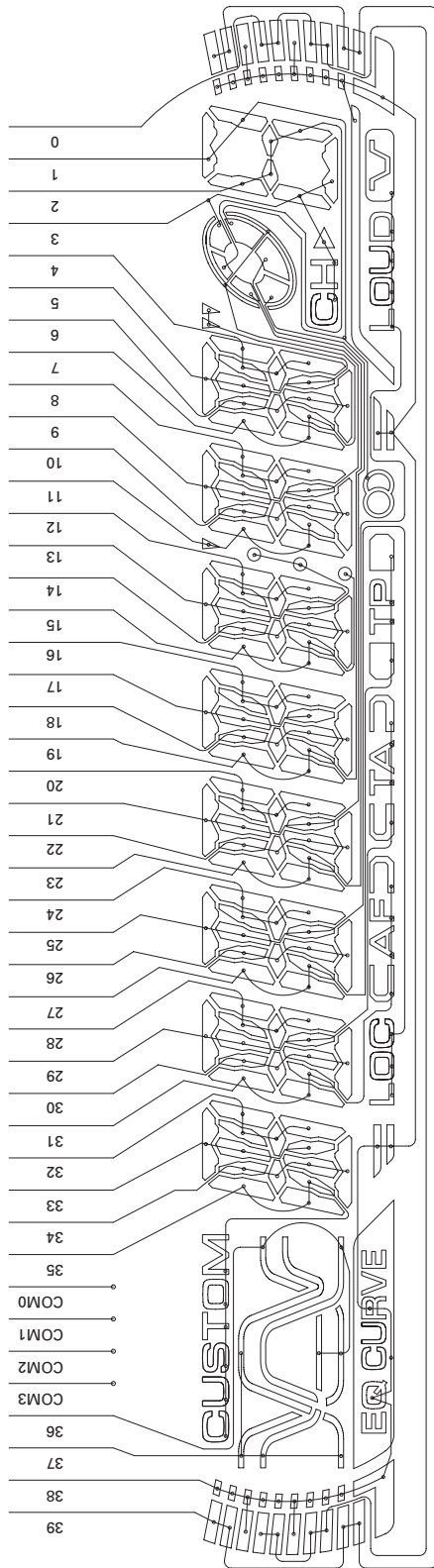
No.	Symbol	I/O	Explain	
1	AMANT	I	AM antenna input	AM antenna input high impedance AMANT pin is connected with an all antenna by way of 4.7 $\mu$ H. (LAU type inductor) A series circuit including an inductor and a resistor is connected with RF ground for the countermeasure against the ham of power transmission line.
2	RFGND		RF ground	Ground of antenna block
3	FMANT	I	FM antenna input	Input of FM antenna 75 $\Omega$ Surge absorber(DSP-201M-S00B) is necessary.
4	VCC		power supply	The power supply for analog block. D.C 8.4V $\pm$ 0.3V
5	SL	O	signal level	Output of FM/AM signals level
6	CE2	I	chip enable-2	Chip enable for EEPROM "Low" active
7	WC	I	write control	You can write EEPROM, when EEPROM write control is "Low". Ordinary non connection
8	CE1	I	chip enable-1	Chip enable for AF•RF "High" active
9	CK	I	clock	Clock
10	DI	I	data in	Data input
11	LDET	O	lock detector	"Low" active
12	OSCGND		osc ground	Ground of oscillator block
13	ROM_VDD		power supply	Power supply for EEPROM pin 13 is connected with a power supply of micro computer.
14	DO	O	data out	Data output
15	DGND		digital ground	Ground of digital block
16	NC		non connection	Not used
17	VDD_3.3		power supply	The power supply for digital block. 3.3V $\pm$ 0.2V
18	RDS_CK	O	RDS clock	Output of RDS clock(2.5V)
19	RDS_DATA	O	RDS data	Output of RDS data(2.5V)
20	RDS_LOCK	O	RDS lock	Output unit "High" active(2.5V) (RDS_LOCK turns over by the external transistor. "Low" active)
21	RDS_HSLK	O	RDS high speed lock	Output unit "High" active(2.5V)(RDS_HSLK turns over by the external transistor. "Low" active)
22	AUDIOGND		audio ground	Ground of audio block
23	L ch	O	L channel output	FM stereo "L-ch" signal output or AM audio output
24	R ch	O	R channel output	FM stereo "R-ch" signal output or AM audio output

### 7.2.2 DISPLAY

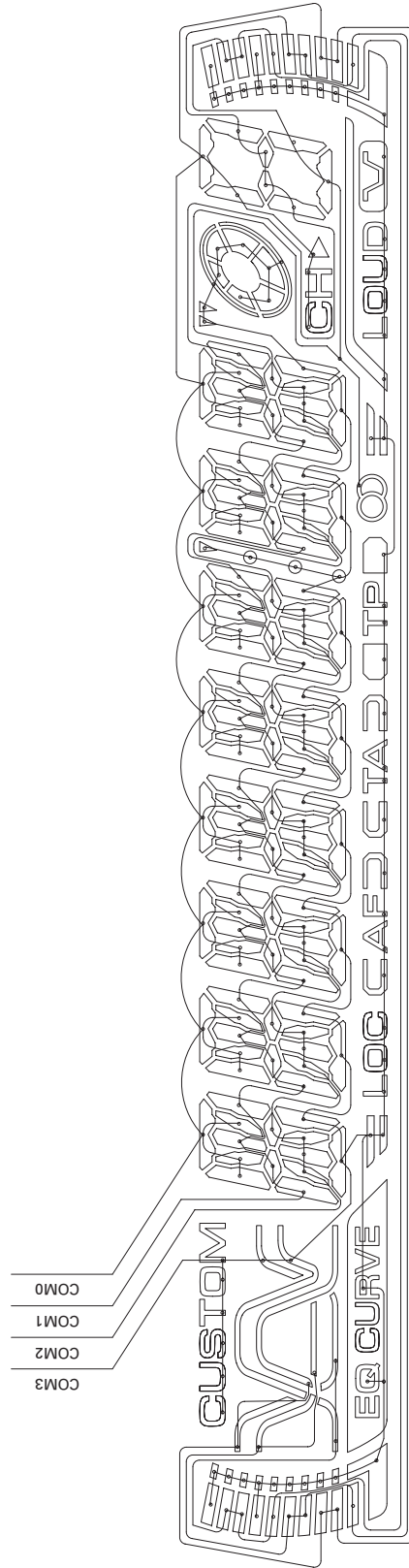
● LCD(CAW1779(DEH-1630R/XU/EW), CAW1731(DEH-1600R/XU/EW))

A  
B  
C  
D  
E  
F

SEGMENT

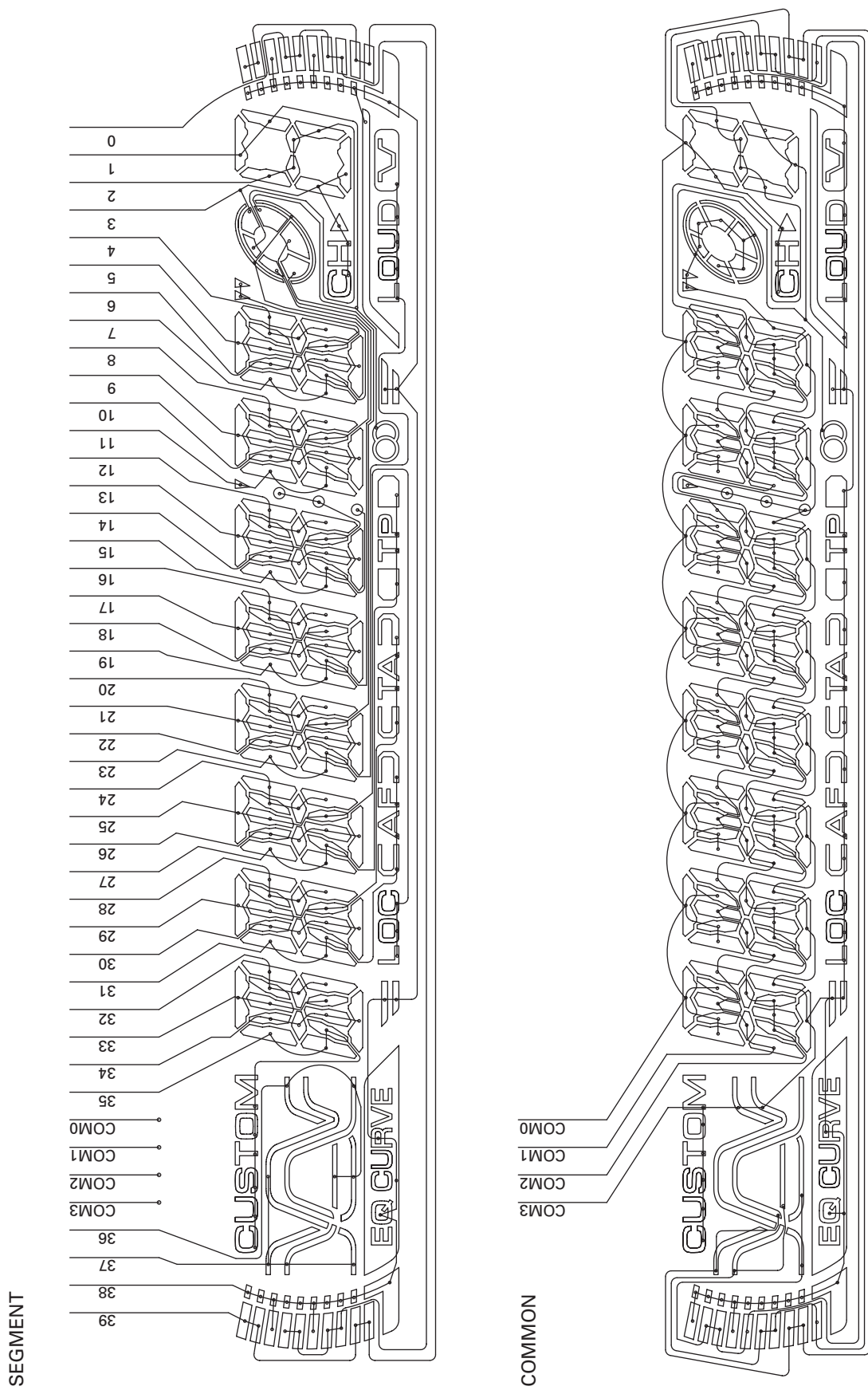


COMMON





● LCD(YAW5006(DEH-1600RB/XU/EW))

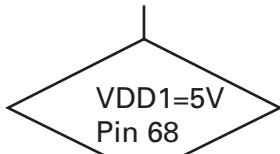


A  
B  
C  
D  
E  
F

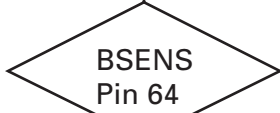
### 7.3 OPERATIONAL FLOW CHART

A

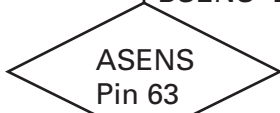
Power ON



B

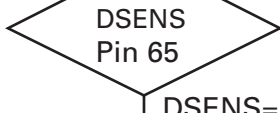


BSENS=L



ASENS=L

C

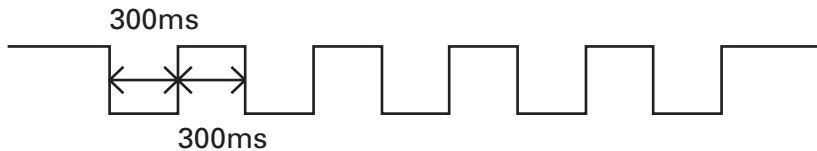
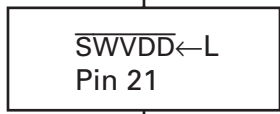


DSENS=L

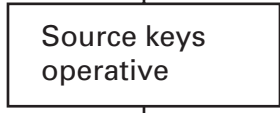


Starts communication with Grille microcomputer.

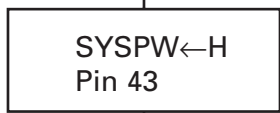
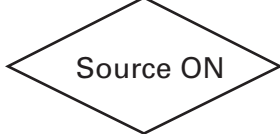
D



In case of the above signal, the communication with Grille microcomputer may fail.  
 If the time interval is not 300msec, the oscillator may be defective.



E



Completes power-on operation.(After that, proceed to each source operation.)

F

# 7.4 CLEANING



Before shipping out the product, be sure to clean the following portions by using the prescribed cleaning tools:

Portions to be cleaned	Cleaning tools
CD pickup lenses	Cleaning liquid : GEM1004 Cleaning paper : GED-008

A

B

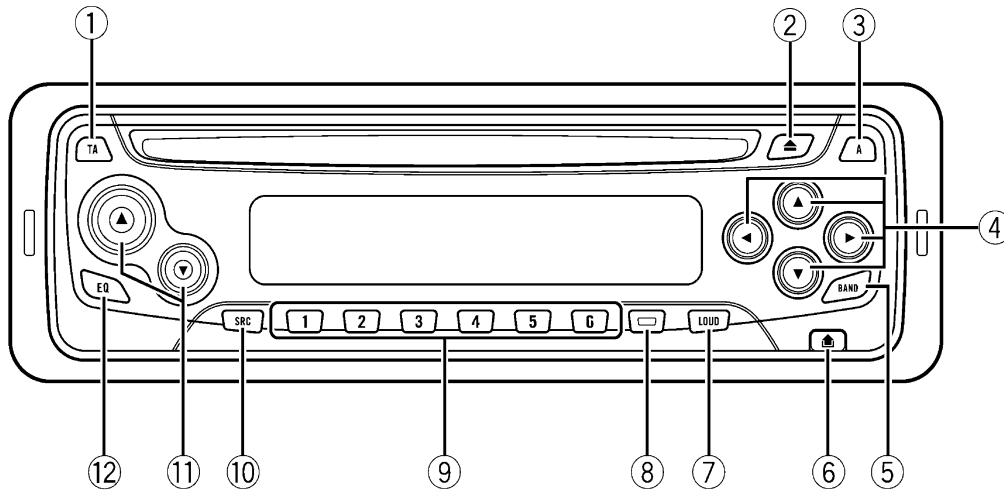
C

D

E

F

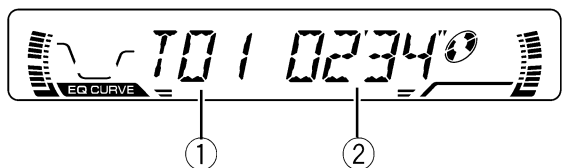
# 8. OPERATIONS



## Head unit

- ① **TA button**  
Press to turn traffic announcements function on or off.
- ② **EJECT button**  
Press to eject a CD from your built-in CD player.
- ③ **AUDIO button**  
Press to select various sound quality controls.
- ④ **▲/▼/◀/▶ buttons**  
Press to do manual seek tuning, fast forward, reverse and track search controls. Also used for controlling functions.
- ⑤ **BAND button**  
Press to select among two FM and MW/LW bands and cancel the control mode of functions.
- ⑥ **DETACH button**  
Press to remove the front panel from the head unit.
- ⑦ **LOUDNESS button**  
Press to turn loudness on or off.
- ⑧ **LOCAL/BSM button**  
Press to turn local function on or off. Press and hold to turn BSM function on or off.
- ⑨ **1-6 buttons**  
Press for preset tuning.
- ⑩ **SOURCE button**  
This unit is turned on by selecting a source. Press to cycle through all of the available sources.
- ⑪ **VOLUME button**  
Press to increase or decrease the volume.
- ⑫ **EQ button**  
Press to select various equalizer curves.

## Playing a CD



### ① Track number indicator

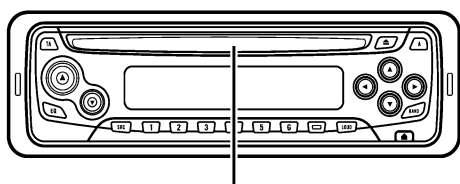
Shows the track currently playing.

### ② Play time indicator

Shows the elapsed playing time of the current track.

### 1 Insert a CD into the CD loading slot.

Playback will automatically start.



CD loading slot

- You can eject a CD by pressing **EJECT**.

### 2 After a CD has been inserted, press **SOURCE** to select the built-in CD player.

### 3 Use **VOLUME** to adjust the sound level.

### 4 To perform fast forward or reverse, press and hold **◀** or **▶**.

### 5 To skip back or forward to another track, press **◀** or **▶**.

Pressing **▶** skips to the start of the next track. Pressing **◀** once skips to the start of the current track. Pressing again will skip to the previous track.



#### Notes

- The built-in CD player plays one, standard, 12-cm or 8-cm (single) CD at a time. Do not use an adapter when playing 8-cm CDs.

- Do not insert anything other than a CD into the CD loading slot.
- If you cannot insert a disc completely or if after you insert a disc the disc does not play, check that the label side of the disc is up. Press **EJECT** to eject the disc, and check the disc for damage before inserting the disc again.
- If the built-in CD player does not operate properly, an error message such as **ERROR-11** may be displayed.

## Repeating play

Repeat play lets you hear the same track over again.

### 1 Press 5 to turn repeat play on.

**RPT** appears in the display. The track currently playing will play and then repeat.

### 2 Press 5 to turn repeat play off.

The track currently playing will continue to play and then play the next track.



#### Note

If you perform track search or fast forward/reverse, repeat play is automatically cancelled.

## Pausing CD playback

Pause lets you temporarily stop playback of the CD.

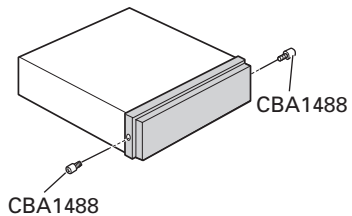
### 1 Press 6 to turn pause on.

**PAUSE** appears in the display. Play of the current track pauses.

### 2 Press 6 to turn pause off.

Play will resume at the same point that you turned pause on.

A



### About the fixing screws for the front panel

Fixing screw

If you do not operate the Removing and Attaching the Front Panel Function, use the supplied fixing screws and fix the front panel to this unit.

B

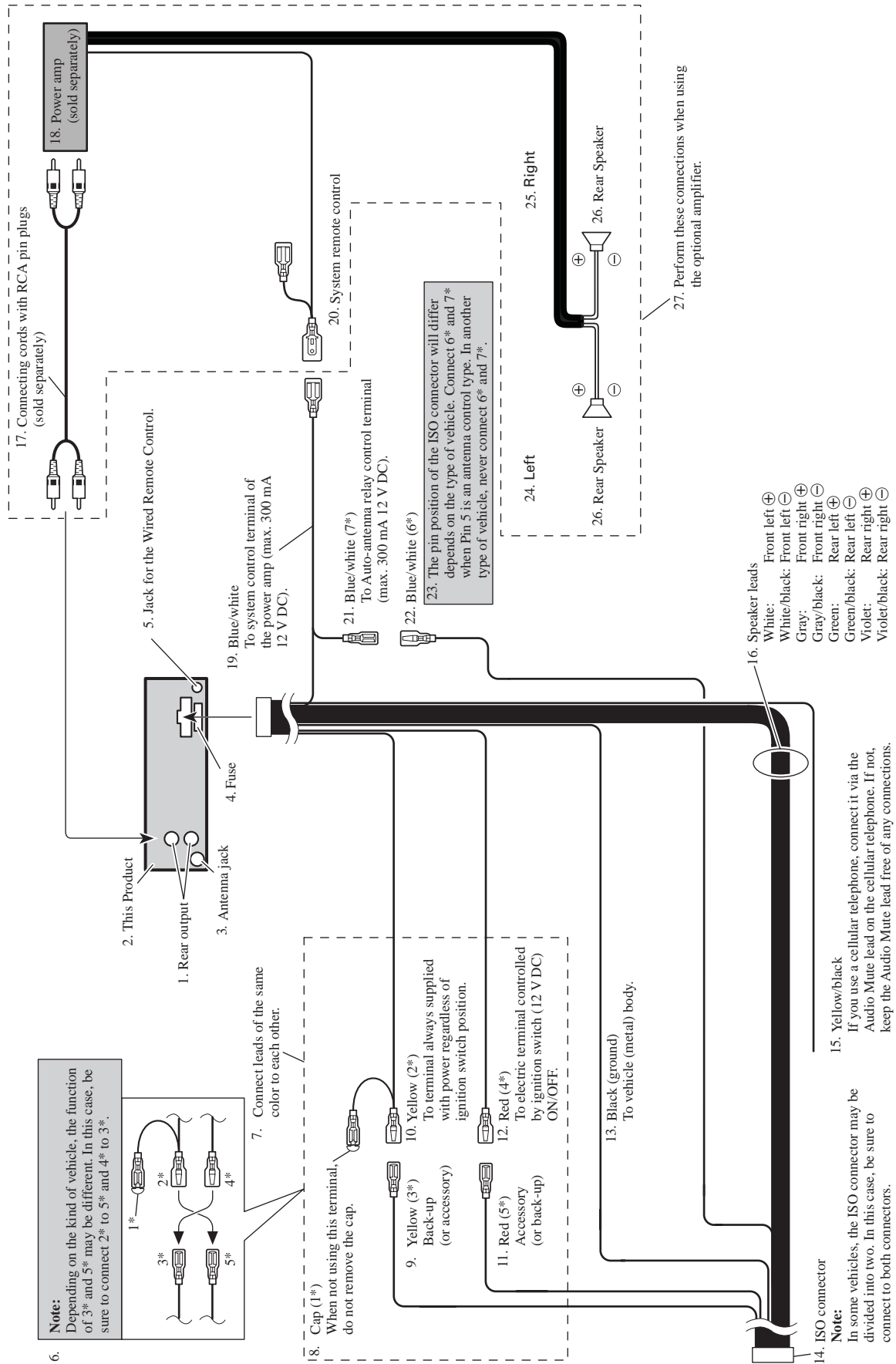
C

D

E

F

# CONNECTION DIAGRAM



## Free Manuals Download Website

<http://myh66.com>

<http://usermanuals.us>

<http://www.somanuals.com>

<http://www.4manuals.cc>

<http://www.manual-lib.com>

<http://www.404manual.com>

<http://www.luxmanual.com>

<http://aubethermostatmanual.com>

Golf course search by state

<http://golfingnear.com>

Email search by domain

<http://emailbydomain.com>

Auto manuals search

<http://auto.somanuals.com>

TV manuals search

<http://tv.somanuals.com>