

**Pioneer** *sound.vision.soul*

**DVD-R/RW DRIVE UNIT**  
**GRAVEUR DE DVD-R/RW**  
**DVD-R/RW REKORDEREINHEIT**  
**DVD-R/RW ドライブユニット**

**DVD-R7322**

Operating Instructions  
Mode d'emploi  
Bedienungsanleitung  
取扱説明書



This product complies with the EMC Directives (89/336/EEC, 92/31/EEC) and CE Marking Directive (93/68/EEC).

Ce produit est conforme aux directives relatives à la compatibilité électromagnétique (89/336/CEE, 92/31/CEE) et à la directive CE relative aux marquages (93/68/CEE).

Dieses Produkt entspricht den EMV-Richtlinien (89/336/EEC, 92/31/EEC) und CE-Markierungsrichtlinien (93/68/EEC).

Questo prodotto è conforme alle direttive EMC (89/336/CEE, 92/31/CEE) e alla direttiva sul marchio CE (93/68/CEE).

Dit produkt voldoet aan de EMC-richtlijnen (89/336/EEC en 92/31/EEC) en de CE-markeringsrichtlijn (93/68/EEC).

Denna produkt uppfyller föreskrifterna i EMC-direktiv (89/336/EEC, 92/31/EEC) och CE-märkningsdirektiv (93/68/EEC).

Este producto cumple con las Directivas EMC (89/336/CEE, 92/31/CEE) y Directiva de Marcación CE (93/68/CEE).

Este produto cumpre com as Directivas EMC (89/336/CEE, 92/31/CEE) e Directiva da Marcação CE (93/68/CEE).

Dette produkt er i overensstemmelse med direktiverne vedrørende elektromagnetisk kompatibilitet (89/336/EEC, 92/31/EEC) og CE-direktivet vedrørende mærkning (93/68/EEC).

### **WARNING!**

Om apparaten används på annat sätt än i denna bruksanvisning specificerats, kan användaren utsättas för osynlig laserstrålning som överskrider gränsen för laserklass 1.

### **ADVARSEL:**

Usynlig laserstråling ved åbning når sikkerhedsafbrydere er ude af funktion. Undgå udsættelse for stråling.

### **VAROITUS!**

Laitten käyttäminen muulla kuin tässä käyttöohjeessa mainitulla tavalla saattaa altistaa käyttäjän turvallisuusluokan 1 ylittävälle näkymättömälle lasersäteilylle.



**LASER DIODE** – This product contains a laser diode. To assure continued safety, **DO NOT** remove any covers or attempt to gain access to the inside of the product.

### **CAUTION:**

USE OF CONTROLS OR ADJUSTMENTS OR PERFORMANCE OF PROCEDURES OTHER THAN THOSE SPECIFIED HEREIN MAY RESULT IN HAZARDOUS RADIATION EXPOSURE.

### **CAUTION:**

USE OF OPTICAL INSTRUMENTS WITH THIS PRODUCT WILL INCREASE EYE HAZARD.

This equipment has been tested and found to comply with the limits for a Class A digital device, pursuant to Part 15 of the FCC Rules. These limits are designed to provide reasonable protection against harmful interference when the equipment is operated in a commercial environment. This equipment generates, uses, and can radiate radio frequency energy and, if not installed and used in accordance with the instruction manual, may cause harmful interference to radio communications. Operation of this equipment in a residential area is likely to cause harmful interference in which case the user will be required to correct the interference at his own expense.

**[For Canadian model]**

This Class A digital apparatus complies with Canadian ICES-003.

**[Pour le modèle Canadien]**

Cet appareil numérique de la Classe A est conforme à la norme NMB-003 du Canada.

**Information to User**

Alteration or modifications carried out without appropriate authorization may invalidate the user's right to operate the equipment.

**警告使用者:**

這是甲類的資訊產品，在居住的環境中使用時，可能會造成射頻干擾，在這種情況下，使用者會被要求採取某些適當的對策。

**사용자안내문**

A 급 기기

이 기기는 업무용으로 전자파 적합성  
 목록한 기기 이오니 판매자 또는 사  
 용자는이 점을 주의하시기 바라며 만  
 약 잘못 판매 또는 구입하였을 때에  
 는 가정용으로 교환하시기 바랍니다.

**FOR ENGLAND**

**Warning**

This is a class A product. In a domestic environment this product may cause radio interference in which cause the user may be required to take adequate measures.

**FOR FRANCE**

**Attention**

Ce produit est de classe A. Dans un environnement domestique, il peut entraîner des interférences et l'utilisateur peut alors être amené à prendre les mesures qui s'imposent.

**FOR GERMANY**

**Warnung**

Dies ist ein Produkt der Klasse A. In einer häuslichen Umgebung kann dieses Produkt Störgeräusche (Funkstörungen) verursachen. In diesem Fall kann es erforderlich sein, geeignete Maßnahmen zu ergreifen.

**FOR ITALY**

**Avvertenza**

Questo è un prodotto di classe A. In ambiente domestico, questo prodotto può provocare interferenze radio per le quali l'utente deve adottare contromisure adeguate.

**FOR SPAIN**

**Advertencia**

Éste es un producto de clase A. En un entorno doméstico, este producto Puede causar radiointerferencias internas que obliguen al usuario a tomar las medidas adecuadas.

**FOR PORTUGAL**

**Aviso**

Este produto pertence à classe A. Quando num ambiente doméstico este produto pode provocar rádio interferências para as quais o utilizador pode ter que tomar medidas adequadas.

**FOR BELGIUM AND NETHERLANDS**

**Waarschuwing**

Dit is een product dat tot klasse A behoort. In woningen kan dit product radiostoringen veroorzaken. In voorkomend geval moet de gebruiker gepaste maatregelen nemen.

**FOR DENMARK**

**Advarsel**

Dette er et klasse A-produkt, som kan forårsage radiointerferens ved brug i hjemmet. Hvis det er tilfældet, kan brugeren blive nødt til tage passende forholdsregler.

**FOR SWEDEN**

**Varning**

Det här är en klass A-produkt. I hemmiljö kan radiostörningar uppstå och användaren bör då vidta lämpliga åtgärder.

Thank you for buying this Pioneer product.

Please read through these operating instructions so you will know how to operate your model properly.

This product is an optional drive designed for exclusive use as the 700-disc changers, models DRM-7000. This means that this unit cannot be used alone or connected to other equipment than specified.

Pioneer may not be held liable for the loss of any data or any other direct or indirect damage suffered as the result of the use or breakdown of this product. It is strongly recommended that regular backups be taken of all critical data.

**WARNING:** THE APPARATUS IS NOT WATERPROOFS, TO PREVENT FIRE OR SHOCK HAZARD, DO NOT EXPOSE THIS APPLIANCE TO RAIN OR MOISTURE AND DO NOT PUT ANY WATER SOURCE NEAR THIS APPARATUS, SUCH AS VASE, FLOWER POT, COSMETICS CONTAINER AND MEDICINE BOTTLE ETC.

## IMPORTANT

### CAUTION

This product contains a laser diode of higher class than 1. To ensure continued safety, do not remove any covers or attempt to gain access to the inside of the product.  
Refer all servicing to qualified personnel.

For pluggable equipment the socket-outlet shall be installed near the equipment and shall be easily accessible.

The following caution label appears on your unit.

Location: on top of the cover

**CLASS 1 LASER PRODUCT  
LASER KLASSE 1**

## For U.S. model

INFORMATION COMPLYING DHHS RULES IS MARKED ON THE TOP COVER AS FOLLOWS:



**DANDER – VISIBLE AND INVISIBLE LASER RADIATION WHEN OPEN.  
AVOID DIRECT EXPOSURE TO BEAM.**

### IMPORTANT NOTICE:

RECORD THE MODEL NUMBER AND SERIAL NUMBER OF THIS EQUIPMENT BELOW. THE NUMBERS ARE ON THE TOP PANEL.

**MODEL NO.** DVD-R7322

**SERIAL NO.** \_\_\_\_\_

KEEP THESE NUMBERS FOR FUTURE USE.

*The Generation of Acoustical Noise Is Less Than 70dB.(ISO7779/DIN45635)*

## IMPORTANT



The lightning flash with arrowhead symbol, within an equilateral triangle, is intended to alert the user to the presence of uninsulated "dangerous voltage" within the product's enclosure that may be of sufficient magnitude to constitute a risk of electric shock to persons.

### CAUTION

**RISK OF ELECTRIC SHOCK  
DO NOT OPEN**

**CAUTION:  
TO PREVENT THE RISK OF ELECTRIC SHOCK, DO NOT REMOVE COVER (OR BACK). NO USER-SERVICEABLE PARTS INSIDE. REFER SERVICING TO QUALIFIED SERVICE PERSONNEL.**



The exclamation point within an equilateral triangle is intended to alert the user to the presence of important operating and maintenance (servicing) instructions in the literature accompanying the appliance.

# SAFETY INSTRUCTIONS

---

To ensure your personal safety and to maximize the full operating potential of your Drive, read and follow these safety precautions:

**READ INSTRUCTIONS** - Read all safety and operating instructions before the Drive is operated.

**RETAIN INSTRUCTIONS** - Retain the safety and operating instructions for future reference.

**FOLLOW INSTRUCTIONS** - Follow all operating and use instructions.

**HEED WARNINGS** - All warnings must be adhered to.

**ENVIRONMENT** - Please do not use the unit at places with much dust, high temperature, or high humidity. Never turn off the power to the unit or allow it to become subjected to shocks or vibrations during operation.

**WATER AND MOISTURE - DO NOT** use this product near water.

**OBJECT AND LIQUID ENTRY** - Never push objects of any kind into this product. Touching dangerous voltage points may cause a short resulting in fire or electric shock. Do not spill liquid of any kind on this product.

**CONDENSATION** - Beware of the formation of condensation on the drive. In the event condensation collects when installing the drive, disconnect the power source and allow all moisture to dry before installing the unit.

**SERVICING** - Do not attempt to repair this product yourself. Opening or removing covers may expose you to dangerous voltage or other hazards. Refer all servicing to qualified service personnel.

**When using the DVD-R7322, please make sure that the recording of the material in question does not violate any copyright laws.**

The DVD-R7322 has been developed and is produced exclusively for commercial use. It is necessary to obtain the authorization of copyright owners and owners of related rights when using the DVD-R7322 to record copyrighted materials. Note that the recording of copyrighted materials without the authorization of the owners of related rights may result in the person or persons performing the recording to be subjected to prosecution. Also note that in such cases PIONEER may not be held liable for any damages resulting as a result of disputes between copyright holders and persons recording copyrighted materials.

## SAFETY INSTRUCTIONS

---

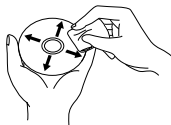
### Disc-related

#### ■ Recommended Discs

- For stable recording and playback, always use a recommended brand of disc.
- For specific disc recommendations, consult your dealer or the Pioneer website.
- Avoid touching or scratching the signal surface (shiny side) of the disc
- Hold the disc by the edges or by the center hold and one edge



- Do not affix paper or labels to the disc
- Discard warped or cracked discs as they may cause damage to the drive
- Avoid specially shaped discs such as hearts or polygons
- Remove dust or lint from the disc with a soft cloth by wiping from the inside to the outside edge rather than in a circular motion
- Do not use record-cleaning or anti-static agents as the solutions may cause damage to a disc



### Discs for Recording

#### ■ When data cannot be recorded or errors occur during recording:

- Are you using a recommended brand of disc?
- Has a sufficiently large writing area been secured?
- Are you using a disc that has already been finalized (closed to further recording)?
- Has the disc been inserted correctly with its label side facing up and writing side down?
- Is the disc dirty or scratched?

#### ■ The device cannot read a disc that has been recorded.

- Are you using a recommended brand of disc?
- Is an unwritten disc installed?
- Is the disc dirty or scratched?
- It is possible that condensation has formed on the optical components or on the disc. (Wait 1 to 2 hours before attempting to use the device again.)

\* For other issues, consult the operating instructions accompanying your application software.

## INSTALLATION-RELATED PRECAUTION

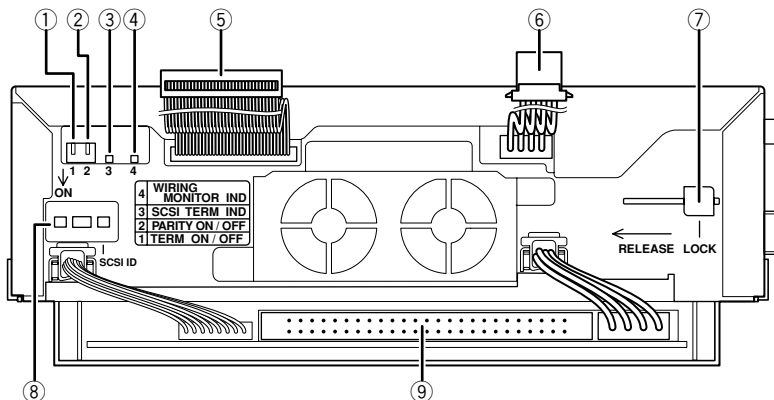
---

Be sure to remember the following points during the installation of your DVD-R7322.

- A maximum of four DVD-R7322s can be connected to the "DRM-7000" 700-disc changer.
- The DVD-R7322 may not be used together in conjunction with a "DRM-PW701" power supply unit.
- This drive may be installed in drive bays 1 to 8.

# A HARDWARE TOUR

## REAR VIEW



### ① SCSI termination switch

This switch is used to turn the drive's internal SCSI termination switch on and off. Note that this switch is set on at the time of shipment.

### ② Parity Switch

Use to set SCSI parity check function ON/OFF. Note that this switch is set on at the time of shipment.

### ③ Termination indicator

When the drive is installed in a changer and its power cable has been connected, this indicator lights up if the drive's SCSI termination switch has been turned on.

### ④ Wiring monitor indicator

**Meaning of indicator when indicator is lit up:**

- Indicates that a disc has been inserted into the drive.
- This indicator also lights up when the drive is installed in a changer and its power cable has been connected.

**Meaning of indicator when indicator flashes in 2-second intervals:**

- This indicator flashes in 2-second intervals when the drive is installed in a changer and its changer interface cable has been connected.

**Meaning of indicator when indicator flashes in 0.5-second intervals:**

- This indicator flashes in 0.5-second intervals

when the drive in question has been specified as the drive to be swapped during the swapping of drives.

### ⑤ Changer interface cable

This cable must be connected to the changer interface connector located in the changer.

### ⑥ Power cable

This cable must be connected to the power inlet located in the changer.

### ⑦ Lock lever

When a drive is to be removed from the changer, flip the lock lever to the released position and then pull the drive out from the changer.

### ⑧ SCSI ID switch

Use to set the SCSI ID. Press the protruding tab at left to increment numbers, and press the tab at right to decrement numbers. Factory default setting is "0".

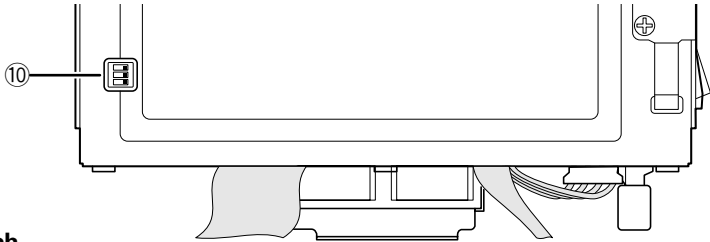
### ⑨ SCSI interface connector

This connector must be connected to the SCSI cable provided with the changer or to an add-on SCSI cable.

**NOTE:**

*Be careful not to allow any part of your body to come into contact with connector pins, as doing so may result in faulty connections or damage from static electricity.*

### TOP VIEW



#### 10 Function switch

ON OFF



This switch is used to check the device before shipment, and its setting should never be changed.

- Set OFF at the time of shipping from the plant.

## TO INSTALL THE DRIVE

---

For instructions on how to open the access doors, see the operating instructions for the DRM-7000 disc changer.

Before installation, be sure to specify the following settings at the rear of each drive to be installed.

#### ● SCSI ID assignment

Specify the SCSI IDs to be used so as to ensure that the same SCSI ID is not assigned by more than one drive on the same SCSI bus.

#### ● Termination

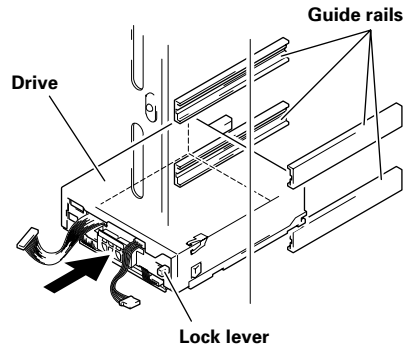
Set the termination switch of the last drive in the SCSI chain to the ON position.

### Warning about static electricity

Always be sure never to touch the contacts or ports when operating drives.

Also be sure to touch a metallic surface on the changer before installing additional drives to the changer.

1. When inserting a drive, be sure to place the drive on the changer guide rails and push the drive in until the lock lever on the drive shifts to the locked position. Maybe you can hear a clicking sound then.

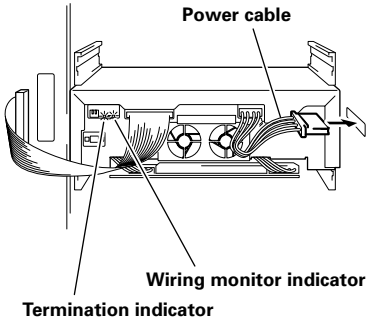


When a drive is to be removed from the changer, flip the lock lever to the released position and then pull the drive out from the changer.



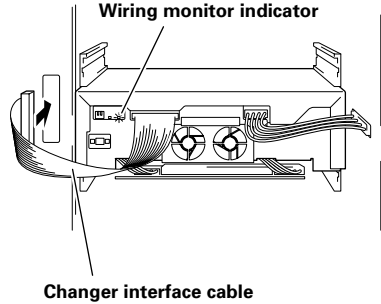
**2. Connect the power cable.**

- When the power cable has been connected, the wiring monitor indicator on the rear of the drives (orange) will light up.
- When the termination switch of the drive is set to on, the termination indicator (green) will light up.



**3. Connect the changer interface cable.**

- When the changer interface cable has been connected, the wiring monitor indicators will flash at two-second intervals.



**NOTE:**

Connect the changer interface cable to the connector corresponding to the bay in which the drives have been installed. (Note that labels are affixed to connectors indicating the corresponding bay number.) Note that it is extremely important to do this, as connecting the changer interface cable to a neighboring bay will result in damage to discs and the disc transport mechanism.

**4. Connect SCSI cables.**

The way in which SCSI cables should be connected differs depending on how the changer is to be configured. For further information on how to connect SCSI cables, see the operating instructions for the DRM-7000 disc changer.

**ABOUT REGION CODES**

Region codes are part of the DVD standard. There is a Region number located within one or all of the components required for DVD-VIDEO playback.

The region code on the DVD-R7322 can be changed **ONLY 5** times, including the 1st setting. Please be aware that the 5th change will be PERMANENT. Therefore please use caution when changing the region code.

**NOTE:**

The method of changing the Region number will vary depending on the Decoder/ Operating System used.

# SPECIFICATIONS

---

## [Supported Formats]

### Writing format

DVD-R for general Ver.2.0	Disc at Once, Border at Once, Packet Write
DVD-RW Ver.1.1	Disc at Once, Border at Once, Packet Write
CD-R	Disc at Once, Track at Once, Session at Once, Packet Write (Variable Packet / Fixed Packet)

### Reading format

DVD-ROM, DVD-Video
DVD-R (for General / Authoring 3.95 GBytes, 4.7 GBytes)
DVD-RW Ver.1.1
CD-ROM Mode 1
CD-ROM XA Mode 2 (form 1, form 2)
CD-R, CD-RW, CD-DA, CD-Extra, Video-CD

\* DVD-RAMs cannot be reading and writing.

## [Writing/Reading speed]

### Writing Speed

DVD-R	X2 (CLV), X1 (CLV)
DVD-RW	X1 (CLV)
CD-R	X8 (CLV), X4 (CLV)

### Reading Speed (max.)

DVD-ROM (single)	X4 (CAV)
DVD-ROM (dual)	X2 (CLV)
DVD-R	X2 (CLV)
DVD-RW	X2 (CLV)
CD-ROM	X24 (CAV)
CD-R	X16 (CAV)
CD-RW	X16 (CAV)

## [Reading Performance]

### Data transmission speed (Sustained)

DVD-ROM (single)	max. 5540 KBytes/sec
DVD-ROM (dual)	2770 KBytes/sec
DVD-R	2770 KBytes/sec
DVD-RW	2770 KBytes/sec
CD-ROM	max. 3600 KBytes/sec
CD-R	max. 2400 KBytes/sec
CD-RW	max. 2400 KBytes/sec

Note that the transmission speed may vary depending on the state (e.g., the existence of scratches) of the disc being used.

Access time (Random average)	
DVD-ROM (single)	typ. 200 ms
DVD-ROM (dual)	typ. 280 ms
DVD-R/RW	typ. 280 ms
CD-ROM	typ. 180 ms
CD-R/RW	typ. 260 ms

**[Data buffer capacity]**

2.0 MBytes (writing)  
512 KBytes (reading)

**[Interface]**

SCSI-2 (Fast SCSI)

**[Others]**

Power supply	DC +12 V, 1.0 A DC +5 V, 1.5 A
External dimensions	187.9 (W) x 74.4 (H) x 263.5 (D) mm 7-3/8 (W) x 2-15/16 (H) x 10-3/8 (D) in.
Weight	2.4 kg (5.3 lb)
Operation temperature	+5 °C to +35 °C (+41 °F to +95 °F) (when used together with changer)
Operation humidity	5 % to 85 % (no condensation) (when used together with changer)
Storage temperature	-40 °C to +60 °C (-40 °F to +140 °F)
Storage humidity	5 % to 90 % (no condensation)

- Discs recorded on this unit may not playback properly on players or drives which do not support the same media format.
- Specifications and design subject to possible modifications without notice, due to improvements.

Nous vous remercions de l'achat de ce produit Pioneer.  
Pour savoir comment fonctionne ce modèle, veuillez lire attentivement ce mode emploi.  
Ce produit est un lecteur disponible en option, destiné à un usage exclusif avec les changeurs à 700 disques (modèles DRM-7000). Cela signifie que vous ne pouvez pas utiliser cet appareil seul ou raccordé à un matériel non spécifié.  
Pioneer ne pourra en aucun cas être tenu pour responsable des pertes de données ou autres dommages directs ou indirects subis par suite de l'utilisation ou d'une panne de ce produit. Il est fortement recommandé d'effectuer des sauvegardes régulières de toutes les données critiques.

**ATTENTION:** CET APPAREIL N'EST PAS IMPERMEABLE, AFIN DE PREVENIR TOUT RISQUE DE CHOC ELECTRIQUE OU DE DEBUT D'ENCENDIE, NE PAS EXPOSER CET APPAREIL A L'HUMIDITE OU A LA PLUIE ET NE PLACER AUPRES DE LUI AUCUNE SOURCE D'EAU, TELS QUE VASES, POTS DE FLEUR, COSMETIQUES, FLACONS DE MEDICAMENTS, ETC.

*La production de bruits acoustiques est inférieure à 70 dB. (ISO7779/DIN45635)*

## IMPORTANT



Ce symbole de l'éclair, placé dans un triangle équilatéral, a pour but d'attirer l'attention de l'utilisateur sur la présence, à l'intérieur du coffret de l'appareil, de "tensions dangereuses" non isolées d'une grandeur suffisante pour représenter un risque d'électrocution pour les êtres humains.

**ATTENTION**  
**DANGER D'ELECTROCUTION**  
**NE PAS OUVRIR**

**ATTENTION:**  
POUR EVITER TOUT RISQUE D'ELECTROCUTION, NE PAS ENLEVER LE COUVERCLE (NI LE PANNEAU ARRIERE). AUCUNE PIECE REPARABLE PAR L'UTILISATEUR NE SE TROUVE A L'INTERIEUR. CONFIER TOUT ENTRETIEN A UN PERSONNEL QUALIFIE UNIQUEMENT.



Ce point d'exclamation, placé dans un triangle équilatéral, a pour but d'attirer l'attention de l'utilisateur sur la présence, dans les documents qui accompagnent l'appareil, d'explications importantes du point de vue de l'exploitation ou de l'entretien.

## ATTENTION

Ce produit renferme une diode à laser d'une catégorie supérieure à 1. Pour garantir une sécurité constante, ne pas retirer les couvercles ni essayer d'accéder à l'intérieur de l'appareil. Pour toute réparation, s'adresser à un personnel qualifié.

L'étiquette d'avertissement suivante apparaît sur votre appareil.

Emplacement: sur le dessus du couvercle.

**CLASS 1 LASER PRODUCT**  
**LASER KLASSE 1**

Dans le cas d'appareils enfichables, la prise doit être facilement accessible et placée le plus près possible de l'appareil.

# INSTRUCTIONS DE SECURITE

---

Pour garantir votre sécurité personnelle et obtenir le maximum de votre lecteur, lire et suivre ces consignes de sécurité:

**LIRE LES INSTRUCTIONS** - Lire toutes les instructions de sécurité et d'utilisation avant d'actionner le lecteur.

**CONSERVER LES INSTRUCTIONS** - Garder les instructions de sécurité et d'utilisation pour une future référence.

**SUIVRE LES INSTRUCTIONS** - Suivre toutes les instructions de fonctionnement et d'utilisation.

**ATTENTION AUX AVERTISSEMENTS** - Observer tous les avertissements.

**ENVIRONNEMENT** - Ne pas utiliser cet appareil dans des endroits avec beaucoup de poussière, une température ou une humidité élevée. Ne jamais mettre l'appareil hors tension ou l'exposer à des chocs ou des vibrations lorsqu'il est en fonctionnement.

**EAU ET HUMIDITE - NE PAS** utiliser ce produit à proximité d'eau.

**PENETRATION D'OBJETS ET DE LIQUIDES** - Ne jamais enfoncer d'objet d'aucune sorte dans ce produit. Le contact avec des points de tension dangereux peut provoquer un court-circuit, entraînant un incendie ou une secousse électrique. Ne pas verser de liquide d'aucune sorte sur ce produit.

**CONDENSATION** - Attention à la formation d'une condensation sur le lecteur.

Si une condensation s'est formée à l'installation du lecteur, le débrancher de la source d'alimentation et laisser s'évaporer l'humidité avant d'installer l'appareil.

**ENTRETIEN** - Ne pas essayer de réparer soi-même ce produit. L'ouverture ou le retrait des capots peut vous exposer à une tension dangereuse ou d'autres dangers. Pour tout entretien, demander à un personnel d'entretien qualifié.

**Avant d'utiliser le DVD-R7322, assurez-vous que l'enregistrement des matériaux en question ne constitue pas une infraction à des droits d'auteur.**

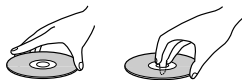
Le DVD-R7322 a été développé et est fabriqué pour un usage commercial. Il est nécessaire d'obtenir l'autorisation des détenteurs des droits d'auteur et des droits afférents lorsque vous utilisez le DVD-R7322 pour enregistrer des matériaux protégés par les droits précités.

Notez bien que l'enregistrement de matériaux protégés par le droit d'auteur sans autorisation des détenteurs des droits afférents expose la personne ou les personnes qui effectuent l'enregistrement à des poursuites judiciaires. Veuillez également noter que, dans de tels cas, il sera impossible de se retourner contre PIONEER afin d'obtenir des dommages et intérêts résultant d'un litige entre les détenteurs des droits d'auteur et les personnes qui auraient enregistré des matériaux protégés par ces droits.

### Précautions relatives aux disques

#### ■ Disques recommandés

- Pour la stabilité de l'enregistrement et de la lecture, utilisez uniquement les marques de disque recommandées.
- Pour connaître les recommandations spécifiques des disques, consultez votre revendeur ou la page d'accueil de Pioneer.
- Evitez de toucher ou de griffer la surface du disque sur laquelle sont enregistrés les signaux (surface brillante).
- Saisissez le disque par les bords ou par le centre et un bord.



- Ne collez pas de papier ou d'étiquette sur le disque.

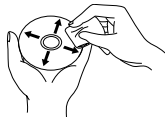
- Jetez les disques fissurés ou voilés, car ils peuvent endommager le lecteur.



- Evitez les disques de forme spéciale, notamment ceux en forme de coeur ou de polygone.



- Eliminez la poussière ou les peluches du disque à l'aide d'un linge doux en frottant de l'intérieur vers l'extérieur et non en effectuant un mouvement circulaire.



- N'utilisez jamais de produit de nettoyage pour disque ou d'agent antistatique, car ces solutions peuvent endommager le disque.

### Disques pour l'enregistrement

#### ■ Il s'avère impossible d'enregistrer des données ou des erreurs surviennent pendant l'enregistrement:

- Utilisez-vous une marque de disque recommandée ?
- La zone d'écriture sécurisée est-elle suffisamment grande ?
- Utilisez-vous un disque déjà finalisé (protégé contre toute écriture supplémentaire) ?
- Le disque a-t-il été inséré correctement, étiquette vers le haut et face à graver vers le bas ?
- Le disque est-il sale ou rayé ?

#### ■ L'appareil ne parvient pas à lire un disque qui a été enregistré.

- Utilisez-vous une marque de disque recommandée ?
- Le disque utilisé n'est-il pas vierge ?
- Le disque est-il sale ou rayé ?
- Il arrive parfois que de la condensation se forme sur les composants optiques ou le disque. (Dans ce cas, patientez une ou deux heures avant d'utiliser à nouveau l'appareil.)

\* Pour les autres problèmes, consultez le mode d'emploi qui accompagne votre logiciel d'application.

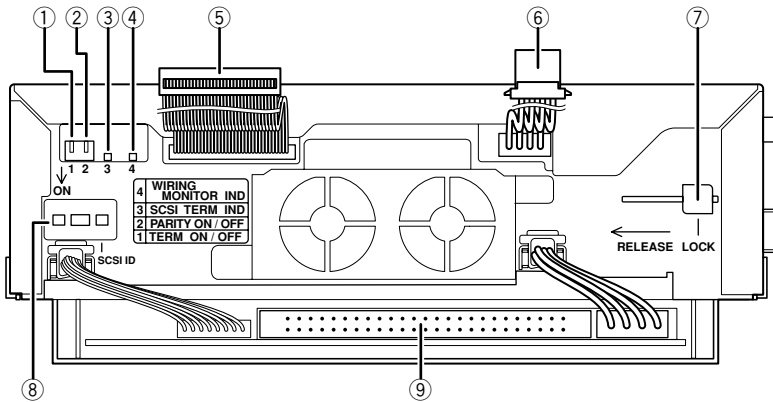
## PRECAUTIONS D'INSTALLATIONS

Veillez prendre en considération les points suivants lors de l'installation de votre DVD-R7322 :

- Quatre DVD-R7322 maximum peuvent être connectés au changeur 700 disques "DRM-7000".
- Le DVD-R7322 ne peut pas être utilisé avec un module d'alimentation "DRM-PW701".
- Ce lecteur ne peut être installé que dans les emplacements de lecteur 1 à 8.

# TOUR DU MATERIEL

## VUE DE DERRIERE



### ① Commutateur de terminaison SCSI

Ce commutateur sert à activer et désactiver la terminaison SCSI interne du lecteur. Notez que la terminaison est activée au départ de l'usine.

### ② Commutateur de parité

Il permet de mettre la fonction de contrôle de parité SCSI en service et hors service (ON/OFF). Le réglage en usine est "en service" (ON).

### ③ Voyant de terminaison

Lorsque le lecteur est installé dans un changeur et le câble d'alimentation est raccordé, ce voyant s'allume si la terminaison SCSI du lecteur a été activée.

### ④ Voyant de contrôle de câblage

**Lorsque ce voyant est allumé, cela signifie que:**

- Un disque a été introduit dans le lecteur.
- Le lecteur est installé dans le changeur et son câble d'alimentation a été raccordé.

**Lorsque le voyant clignote toutes les 2 secondes, cela signifie que:**

- Le lecteur est installé dans le changeur et son câble d'interface changeur a été raccordé.

**Lorsque le voyant clignote toutes les demies secondes, cela signifie que:**

- Le lecteur en question a été spécifié comme le lecteur devant être échangé pendant une opération d'échange de lecteurs.

### ⑤ Câble d'interface changeur

Ce câble doit être raccordé au connecteur interne de l'interface changeur.

### ⑥ Câble d'alimentation

Ce câble doit être raccordé à la prise de courant du changeur.

### ⑦ Levier de verrouillage

Lorsqu'un lecteur doit être enlevé du changeur, mettez le levier sur la position déverrouillée et retirez le lecteur du changeur.

### ⑧ Commutateurs de code d'identification SCSI

Il permet de régler le code d'identification SCSI. Appuyez sur l'onglet de gauche pour augmenter les chiffres ou appuyez sur l'onglet de droite pour les diminuer. Le réglage par défaut a été effectué sur "0" en usine.

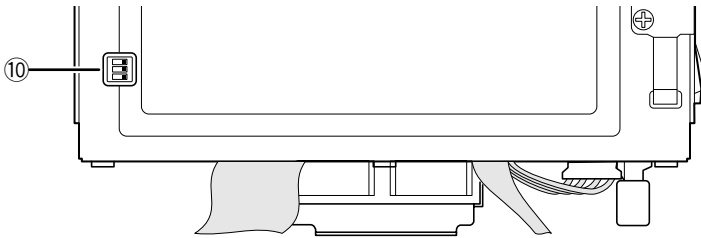
### ⑨ Connecteur d'interface SCSI

Ce connecteur doit être raccordé au câble SCSI fourni avec le changeur ou à un câble SCSI acheté en option.

#### REMARQUE:

*Ne touchez pas aux broches du connecteur sous peine de détériorer la qualité du raccordement ou d'endommager le connecteur par l'électricité statique.*

## VUE D'EN HAUT



## ⑩ Commutateur de fonction

ON OFF



Ce commutateur sert à vérifier l'appareil avant son expédition. Ne changez jamais sa position.

- OFF au départ de l'usine.

## POUR INSTALLER LE LECTEUR

Pour savoir comment ouvrir les portes d'accès, reportez-vous au mode d'emploi du changeur de disque DRM-7000.

Avant toute installation, assurez-vous d'effectuer les réglages suivants à l'arrière de chaque lecteur à installer.

- **Attribution de codes d'identification SCSI**

Spécifiez les codes d'identification SCSI à utiliser de façon à ce que le même code d'identification SCSI ne soit pas attribué à plus d'un lecteur raccordé au même bus SCSI.

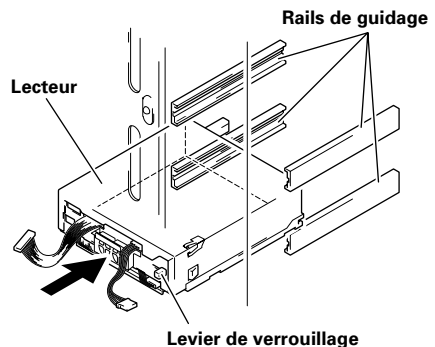
- **Terminaison**

Réglez le commutateur de terminaison du dernier lecteur de la chaîne SCSI sur ON (activée).

### Avertissement concernant l'électricité statique

Assurez-vous de ne jamais toucher les contacts ou les ports en manipulant les lecteurs. Assurez-vous de toucher une des surfaces métalliques du changeur avant d'ajouter des lecteurs au changeur.

1. Lorsque vous introduisez un lecteur, posez-le sur les rails de guidage du changeur et appuyez jusqu'à ce que le levier de verrouillage du lecteur s'enclenche en position verrouillé. Il se peut que vous entendiez un léger clic.



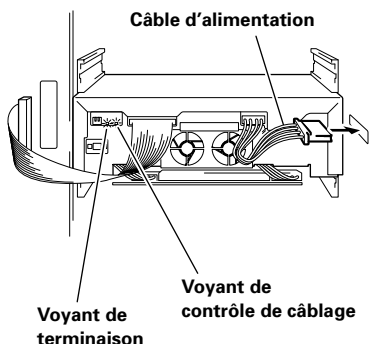
Lorsque vous devez enlever un lecteur du changeur, mettez le levier sur la position déverrouillée et retirez le lecteur du changeur.



## POUR INSTALLER LE LECTEUR

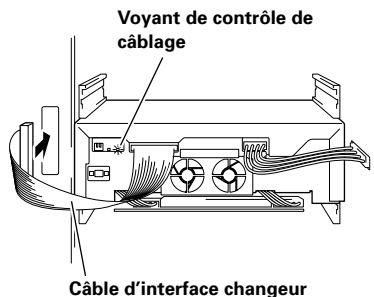
### 2. Raccordez le câble d'alimentation.

- Lorsque le câble d'alimentation est raccordé, le voyant de contrôle de câblage à l'arrière du lecteur (orange) s'allume.
- Lorsque le commutateur de terminaison du lecteur est activé, le voyant de terminaison (vert) s'allume.



### 3. Raccordez le câble d'interface changeur.

- Lorsque le câble d'interface changeur est raccordé, les voyants de contrôle de câblage clignotent toutes les deux secondes.



#### REMARQUE:

Raccordez le câble d'interface changeur au connecteur qui correspond à la baie dans laquelle les lecteurs ont été installés. (Notez que des étiquettes ont été collées aux connecteurs, indiquant le numéro de baie correspondant.) Ceci est très important, car si vous raccordez le câble d'interface changeur à une baie voisine, vous endommagerez les disques et le mécanisme de transport de disque.

### 4. Raccordez les câbles SCSI.

La façon de raccorder les câbles SCSI dépend de la configuration du changeur. Pour de plus amples informations sur le raccordement de câbles SCSI, reportez-vous au mode d'emploi du changeur de disque DRM-7000.

## A PROPOS DES CODES REGIONAUX

Les codes régionaux sont couverts par la norme DVD. Un code régional figure dans un ou plusieurs composants nécessaires à la lecture des disques DVD-VIDEO.

Le code régional du DVD-R7322 peut être modifié 5 fois **SEULEMENT** (premier réglage compris). N'oubliez donc pas que la cinquième modification devient DEFINITIVE. Soyez donc particulièrement vigilant lorsque vous modifiez le code régional.

#### REMARQUE:

Le mode de modification du code régional dépend du décodeur/système d'exploitation utilisé.

# FICHE TECHNIQUE

---

## [Formats supportés]

### Enregistrement

DVD-R pour Général ver 2,0	Disque at Once, Bord at Once, Ecriture de paquet
DVD-RW ver 1,1	Disque at Once, Bord at Once, Ecriture de paquet
CD-R	Disque at Once, Bord at Once, Session at Once, Ecriture de paquet (Paquet Variable/Paquet Fixe)

### Lecture

DVD-ROM, DVD-Vidéo
DVD-R (pour Général/pour Création 3,95 Go, 4,7 Go)
DVD-RW ver 1.1
CD-ROM Mode 1
CD-ROM XA Mode 2 (forme 1, forme 2)
CD-R, CD-RW, CD-DA, CD-Extra, Vidéo-CD

\*Ne supporte pas l'enregistrement ou la lecture de DVD-RAM.

## [Vitesses d'enregistrement/lecture]

### Vitesses d'enregistrement

DVD-R	X2 (CLV), X1 (CLV)
DVD-RW	X1 (CLV)
CD-R	X8 (CLV), X4 (CLV)

### Vitesses de lecture maximum

DVD-ROM (simple)	X4 (CAV)
DVD-ROM (double)	X2 (CLV)
DVD-R	X2 (CLV)
DVD-RW	X2 (CLV)
CD-ROM	X24 (CAV)
CD-R	X16 (CAV)
CD-RW	X16 (CAV)

## [Performances lecture]

### Vitesse de transmission des données (continue)

DVD-ROM (simple):	max. 5540 Ko/sec.
DVD-ROM (double):	2770 Ko/sec.
DVD-R:	2770 Ko/sec.
DVD-RW:	2770 Ko/sec.
CD-ROM:	max. 3600 Ko/sec.
CD-R:	max. 2400 Ko/sec.
CD-RW:	max. 2400 Ko/sec.

\* Les taux de transmission peuvent différer en fonction de l'état du disque utilisé (égratignures, etc.).

Temps d'accès (Accès aléatoire moyen)

DVD-ROM (simple): typ 200 mS  
 DVD-ROM (double): typ 280 mS  
 DVD-R/RW: typ 280 mS  
 CD-ROM: typ 180 mS  
 CD-R/RW: typ 260 mS

**[Capacité du tampon de données]**

2,0 Mo (écriture)  
 512 Ko (lecture)

**[Interface]**

SCSI-2 (Fast SCSI)

**[Divers]**

Alimentation

CC +12 V, 1,0 A  
 CC +5 V, 1,5 A

Dimensions externes

187,9 (L) x 74,4 (H) x 263,5 (P) mm

Poids

2,4 kg

Température de fonctionnement

+5 °C à +35 °C (en utilisation avec le changeur)

Humidité de fonctionnement

5 % à 85 % (sans condensation)

(en utilisation avec le changeur)

Température de rangement

-40 °C à +60 °C

Humidité de rangement

5 % à 90 % (sans condensation)

- Il est possible que des disques gravés par cet appareil ne soient pas lus correctement sur des lecteurs ou des platines qui ne supportent pas le même format média.
- Aux fins d'amélioration, les caractéristiques techniques et la conception sont susceptibles de modification sans préavis.

**Français**

Vielen Dank für den Kauf dieses Pioneer-Produkts.

Bitte lesen Sie diese Bedienungsanleitung sorgfältig durch, um sich mit der Bedienung des Geräts vertraut zu machen.

Dieses Produkt ist ein optionales Laufwerk, das nur bei 700-Disc-Wechsler der Reihe DRM-7000 eingesetzt werden kann. Dieses Laufwerk kann also nicht als selbständiges Gerät betrieben werden oder an andere als die angegebenen Geräte angeschlossen werden.

Pioneer haftet nicht für den Verlust von Daten oder andere direkte oder indirekte Schäden, die in Folge des Gebrauchs oder Ausfalls dieses Produkts entstanden sind. Es wird dringend empfohlen, regelmäßige Sicherungskopien von wichtigen Daten zu erstellen.

**WARNUNG:** DIESES GERÄT IST NICHT WASSERUNDURCHLÄSSIG. UM EINEN BRAND ODER STROMSCHLAG ZU VERMEIDEN, DIESES GERÄT NICHT REGEN ODER FEUCHTIGKEIT AUSSETZEN UND KEINEN BEHÄLTER MIT WASSER, WIE VASEN, BLUMENTÖPFE, KOSMETIKBEHÄLTER UND MEDIZINFLASCHEN, IN DER NÄHE DIESES GERÄTS STELLEN.

*Das Geräuschaufkommen beträgt weniger als 70 dB. (ISO 7779/DIN 45635)*

**Warnung:**

Dieses Produkt entspricht dem EMV-Standard der Klasse A. Produkte dieser Klasse sind nur für den industriellen Einsatz geeignet und dürfen in Wohn- und Gewerbegebieten nicht ohne ausreichende Entstörungsmaßnahmen betrieben werden.

**WICHTIG**



Das Blitzsymbol in einem Dreieck weist den Nutzer darauf hin, dass eine Berührung Gefahr mit nicht isolierten Teilen im Geräteinneren, die eine gefährliche Spannung führen, besteht. Die Spannung kann so hoch sein, dass sie die Gefahr eines elektrischen Schlags bei Personen birgt.



**ACHTUNG:**  
UM SICH NICHT DER GEFAHR EINES ELEKTRISCHEN SCHLAGS AUSZusetzen, DÜRFEN SIE NICHT DEN DECKEL (ODER DIE RÜCKSEITE) ENTFERNEN, IM GERÄTEINNEREN BEFINDEN SICH KEINE VOM NUTZER REPARIERBARE TEILE. ÜBERLASSEN SIE REPARATUREN DEM QUALIFIZIERTEN KUNDENDIENST.



Ein Ausrufungszeichen in einem Dreieck weist den Nutzer auf wichtige Bedienungs- und Wartungsanweisungen in den Dokumenten hin, die dem Gerät beiliegen.

**VORSICHT**

Dieses Gerät enthält eine Laserdiode mit einer höheren Klasse als 1. Um einen stets sicheren Betrieb zu gewährleisten, weder irgendwelche Abdeckungen entfernen, noch versuchen, sich zum Geräteinneren Zugang zu verschaffen. Alle Wartungsarbeiten sollten qualifiziertem Kundendienstpersonal überlassen werden.

Das nachstehende Hinweisschild befindet sich am Gerät.

Anbringstelle: auf der Deckeloberseite.



Bei Geräten mit Steckern sollte sich der Ausgangsstecker nahe dem anderen Gerät befinden und einfach zugänglich sein.

# SICHERHEITSANWEISUNGEN

---

Um Ihre eigene Sicherheit sicherzustellen, und um die volle Funktion Ihres DVD-R/RW-Laufwerks zu maximieren, lesen Sie diese Sicherheitsvorschriften bitte sorgfältig durch:

**LESEN SIE DIE ANLEITUNGSSCHRITTE** - Vor der Inbetriebnahme des DVD-R/RW-Laufwerks sind alle Sicherheits- und Betriebsanleitungen durchzulesen.

**AUFBEWAHRUNGSHINWEISE** - Bewahren Sie die Sicherheits- und Betriebsanleitungen für zukünftige Benutzung griffbereit auf.

**BEFOLGUNG DER ANLEITUNGSSCHRITTE** - Befolgen Sie bitte alle Bedienungs- und Handhabungshinweise.

**BEACHTUNG ALLER WARNUNGEN** - Sämtliche Warnhinweise müssen sorgfältig beachtet werden.

**BETRIEBSBEDINGUNGEN** - Betreiben Sie das Gerät nicht an Orten, wo starkes Staubaufkommen, hohe Temperaturen und hohe Luftfeuchtigkeiten vorherrschen. Schalten Sie keinesfalls die Netzspannungsversorgung zum Gerät aus, und vermeiden Sie, dass das Gerät Stößen und Vibrationen während des Betriebs ausgesetzt wird.

**WASSER UND FEUCHTIGKEIT** - Betreiben Sie das Gerät NIEMALS in unmittelbarer Nähe von Wasser!

**EINDRINGEN VON FLÜSSIGKEITEN UND FREMDKÖRPERN** - Niemals Fremdkörper in das Geräteinnere eindringen lassen. Das Berühren von unter Spannung stehenden Kontakten kann zu einem Kurzschluß führen, was einen Brand oder Stromschlag auslösen kann. Vorsicht, damit keine Flüssigkeiten auf dem Gerät verschüttet werden.

**KONDENSATION** - Unter bestimmten Umgebungsbedingungen kann es zu Kondensatbildung auf dem Laufwerk kommen. Falls Kondensatbildung während der Installation des Laufwerks auftritt, trennen Sie das Netzkabel von der Netzsteckdose und lassen Sie die Feuchtigkeit verdunsten, bevor Sie das Gerät installieren.

**WARTUNG** - Nicht den Versuch unternehmen, das Gerät selbst zu reparieren! Das Öffnen oder Entfernen von Abdeckungen kann einen Stromschlag sowie andere Gefahren auslösen. Überlassen Sie sämtliche Wartungsarbeiten unserem qualifizierten Kundendienstpersonal.

## **Die Aufzeichnung des jeweiligen Materials mit dem DVD-R7322 darf keine Urheberrechte verletzen.**

Der DVD-R7322 wurde ausschließlich zur kommerziellen Nutzung entwickelt und hergestellt. Wenn mit dem DVD-R7322 urheberrechtlich geschützte Materialien aufgezeichnet werden sollen, muß die Genehmigung von den Inhabern der Urheberrechte und abgeleiteten Rechte eingeholt werden. Die Aufzeichnung von urheberrechtlich geschützten Materialien ohne die Genehmigung von den Inhabern der jeweiligen Rechte kann dazu führen, daß die Person bzw. die Personen, welche die Aufzeichnung ausführen, strafrechtlich verfolgt werden. In solchen Fällen kann PIONEER nicht für Schäden haftbar gemacht werden, die aus Rechtsstreitigkeiten zwischen den Inhabern der Urheberrechte und den Personen, die urheberrechtlich geschützte Materialien aufzeichnen, resultieren.

## SICHERHEITSSANWEISUNGEN

---

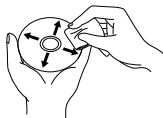
### In Bezug auf die Platte

#### ■ Empfohlene Discs

- Verwenden Sie ausschließlich Discs empfohlener Fabrikate, um eine stabile Aufnahme- und Wiedergabeleistung zu gewährleisten.
- Ihr Fachhändler kann Ihnen geeignete Discs empfehlen, und diesbezügliche Informationen sind auch vom Pioneer-Website erhältlich.
- Zu vermeiden ist das Berühren oder Zerkratzen der Signalfäche (glänzende Seite) der Platte
- Die Platte entweder an den Rändern oder im Loch in der Mitte und am Rand fassen



- Auf der Platte dürfen weder Papier noch Etiketten angebracht werden
- Keine gewölbten oder rissigen Platten verwenden (da diese das Laufwerk beschädigen könnten)
- Keine Platten mit Spezialformen, wie z.B. Herzen oder Vierecke, verwenden
- Staub oder Flusen mit einem weichen Lappen von der Platte entfernen, indem man diese von innen nach außen (statt in kreisförmigen Bewegungen) abwischt



- Keine Schallplattenreinigungs- oder antistatischen Mittel verwenden, da diese die Platte beschädigen könnten

### Discs für Aufnahme

#### ■ Wenn Daten nicht aufgezeichnet werden können oder während der Aufzeichnung Fehler auftreten:

- Wird eine Disc eines empfohlenen Fabrikats verwendet?
- Wurde ein hinreichend großer Schreibbereich gesichert?
- Wird eine Disc eine bereits finalisierte Disc verwendet (auf der keine weitere Aufzeichnung möglich ist)?
- Wurde die Platte richtig eingeführt, mit der Etikettenseite nach oben und der zu beschreibenden Seite nach unten?
- Ist die Platte schmutzig oder verkratzt?

#### ■ Das Gerät kann eine aufgezeichnete Platte nicht lesen.

- Wird eine Disc eines empfohlenen Fabrikats verwendet?
- Wird eine nicht beschriebene Platte benutzt?
- Ist die Platte schmutzig oder verkratzt?
- Es ist möglich, dass sich auf den optischen Komponenten oder auf der Platte Kondensation gebildet hat. Warten Sie deshalb 1 bis 2 Stunden, bevor Sie versuchen, das Gerät erneut zu benutzen.

\* Weitere Informationen finden Sie in der Dokumentation Ihres Anwendungsprogramms.

## VORSICHTSMAßNAHMEN BEI DER INSTALLATION

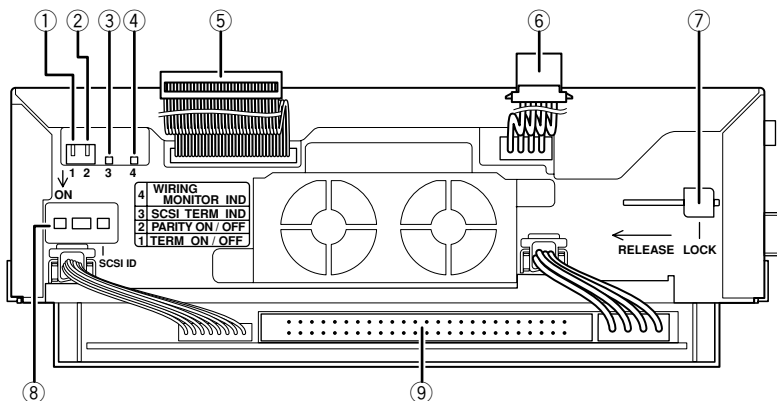
---

Beachten Sie bei der Installation des DVD-R7322 folgende Punkte:

- Es können maximal vier DVD-R7322s an den "DRM-7000" 700-Disc-Wechsler angeschlossen werden.
- Der DVD-R7322 kann nicht zusammen mit dem Netzteil "DRM-PW701" verwendet werden.
- Dieses Laufwerk darf nur in die Laufwerkfächer 1 bis 8 eingebaut werden.

# BESCHREIBUNG DER HARDWARE

## ANSICHT DER RÜCKSEITE



### ① SCSI-Abschluß-Schalter

Mit diesem Schalter wird der interne SCSI-Abschlußschalter ein- und ausgeschaltet. Werkseitig ist dieser Schalter eingeschaltet.

### ② Paritätsschalter

Mit diesem Schalter wird die Funktion für SCSI-Paritätsprüfung ein- und ausgeschaltet. Die werkseitige Voreinstellung ist "ON" (Ein).

### ③ Anzeige des Abschlusses

Wenn ein Laufwerk in den Wechsler eingebaut ist und dessen Spannungsversorgungskabel angeschlossen ist, leuchtet diese Anzeige bei eingeschaltetem SCSI-Abschlußschalter des Laufwerks.

### ④ Verkabelungsüberwachungsanzeige

**Die leuchtende Anzeige bedeutet folgendes:**

- In das Laufwerk wurde eine Disc eingesetzt.
- Das Laufwerk wurde in einen Wechsler eingebaut und das Laufwerk-Spannungsversorgungskabel wurde angeschlossen.

**Das Blinken der Anzeige in 2-Sekunden-Intervallen bedeutet folgendes:**

- Das Laufwerk wurde in einen Wechsler eingebaut, und dessen Wechsler-Schnittstellenkabel wurde angeschlossen.

**Das Blinken der Anzeige in 0,5-Sekunden-Intervallen bedeutet folgendes:**

- Das betreffende Laufwerk wurde als das auszutauschende Laufwerk angegeben.

### ⑤ Wechsler-Schnittstellenkabel

Dieses Kabel muß an den internen Wechsler-Schnittstellenanschluß angeschlossen werden.

### ⑥ Netzkabel

Diese Kabel muß an die Netzspannungsbuchse, die sich im Wechsler befindet, angeschlossen werden.

### ⑦ Blockierhebel

Wenn ein Laufwerk aus dem Wechsler entfernt werden soll, lösen Sie den Blockierhebel, und ziehen Sie das Laufwerk aus dem Wechsler.

### ⑧ SCSI-ID-Schalter

Mit diesem Schalter wird die SCSI-Kennnummer eingestellt. Um die Kennnummer zu erhöhen, drücken Sie auf die Lasche links, um sie zu verringern, drücken Sie auf die Lasche rechts. Die werkseitige Voreinstellung ist "0".

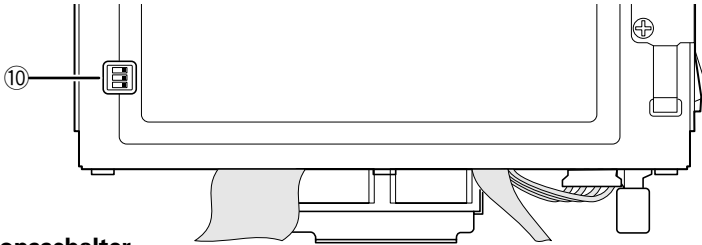
### ⑨ SCSI-Schnittstellenbuchse

An diese Buchse muß das dem Wechsler beiliegende SCSI-Kabel angeschlossen werden, oder ein Zubehörkabel.

#### **HINWEIS:**

Die Anschlußstifte dürfen Sie auf keinen Fall berühren. Die Folge wären möglicherweise fehlerhafte Verbindungen oder Beschädigungen aufgrund statischer Elektrizität.

### ANSICHT VON OBEN



#### 10 Funktionsschalter

ON OFF



Mit diesem Schalter wird das Gerät vor der Lieferung überprüft. Diese Schaltereinstellung darf nicht geändert werden.

- Ist werkseitig aktiviert (OFF).

## INSTALLATION DES LAUFWERKS

Anweisungen zum Öffnen der Türen finden Sie in der Bedienungsanleitung für den Disc-Wechsler DRM-7000.

Vor dem Einsetzen müssen Sie die folgenden Einstellungen auf der Rückseite eines jeden zu installierenden Laufwerks festlegen.

#### ● SCSI-ID-Zuweisung

SCSI-IDs fest, wobei Sie die gleiche SCSI-ID nur für jeweils ein Laufwerk an einem SCSI-Bus vergeben dürfen.

#### ● Abschluß

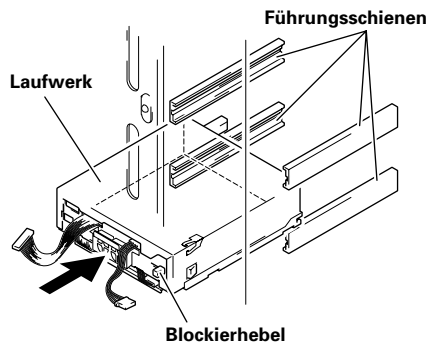
Bei dem letzten Laufwerk in der SCSI-Kette schalten Sie den Schalter TERM auf die Position ON.

### Warnung vor elektrostatischer Aufladung

Beim Betrieb von Laufwerken dürfen Sie niemals die Kontakte oder Anschlüsse berühren.

Fassen Sie eine metallische Oberfläche des Wechslers an, bevor Sie zusätzliche Laufwerke in den Wechsler einbauen.

1. Setzen Sie das Laufwerk auf die Führungsschienen des Wechslers, und schieben Sie das Laufwerk hinein, bis der Blockierhebel des Laufwerks einrastet. Möglicherweise hören Sie ein Klickgeräusch.

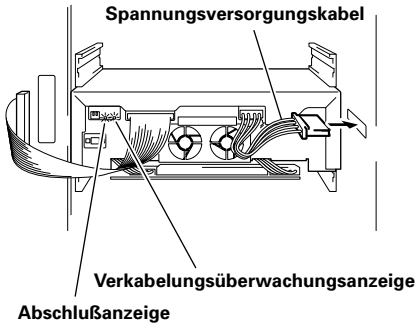


Wenn ein Laufwerk aus dem Wechsler entfernt werden soll, lösen Sie den Blockierhebel, und ziehen Sie das Laufwerk aus dem Wechsler.



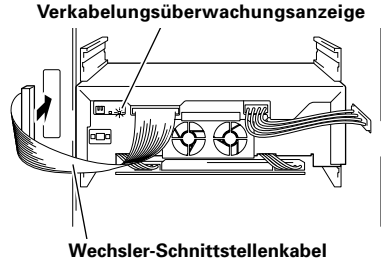
## 2. Schließen Sie das Spannungsversorgungskabel an.

- Nachdem das Spannungsversorgungskabel angeschlossen wurde, leuchtet die Verkabelungsüberwachungsanzeige (Orange) auf der Laufwerk-Rückseite auf.
- Wenn beim Laufwerk der Schalter für den Abschluß eingeschaltet ist, leuchtet die Abschlußanzeige (Grün) auf.



## 3. Schließen Sie das Wechsler-Schnittstellenkabel an.

- Nachdem das Wechsler-Schnittstellenkabel angeschlossen wurde, blinken die Verkabelungsüberwachungsanzeigen in 2-Sekunden-Intervallen.



### HINWEIS:

Achten Sie darauf, das Wechsler-Schnittstellenkabel mit dem Anschluß zu verbinden, der dem Fach entspricht, in welches die Laufwerke eingebaut wurden. (Die Anschlüsse sind mit den zugehörigen Fachnummern beschriftet.) Dies ist äußerst wichtig, da der Anschluß des Wechsler-Schnittstellenkabels an ein benachbartes Fach zur Beschädigung von Discs und des Disc-Transportmechanismus führen kann.

## 4. SCSI-Kabel anschließen.

Wie die SCSI-Kabel angeschlossen werden müssen, hängt von der jeweiligen Konfiguration des Wechslers ab. Anweisungen zum Anschließen von SCSI-Kabeln finden Sie in der Bedienungsanleitung für den Disc-Wechsler DRM-7000.

# WISSENSWERTES ÜBER REGIONALCODES

Regionalcodes sind Teil des DVD-Standards. Innerhalb einer oder aller für DVD-VIDEO-Wiedergabe erforderlichen Komponenten befindet sich eine Regionalnummer.

Der Regionalcode auf dem DVD-R7322 kann **NUR** 5mal geändert werden, einschließlich der 1. Einstellung. Denken Sie bitte daran, dass die 5. Änderung PERMANENT ist und lassen Sie deshalb bei der Änderung des Regionalcodes Vorsicht walten.

### HINWEIS:

Die Methode zur Änderung der Regionalnummer ist je nach verwendetem Decoder/Betriebssystem unterschiedlich.

# TECHNISCHE DATEN

---

## [Unterstützte Formate]

### Aufnahme

DVD-R for General ver 2.0	Disc at Once, Border at Once, Packet Write
DVD-RW ver 1.1	Disc at Once, Border at Once, Packet Write
CD-R	Disc at Once, Track at Once, Session at Once, Packet Write (variables/fixiertes Packet)

### Wiedergabe

DVD-ROM, DVD-Video
DVD-R (for General/for Authoring 3.95 GB, 4,7 GB)
DVD-RW ver1.1
CD-ROM Mode1
CD-ROM XA Mode2 (form1, form2)
CD-R, CD-RW, CD-DA, CD-Extra, Video-CD

\* Die Aufnahme und Wiedergabe von DVD-RAM-Discs wird nicht unterstützt.

## [Aufzeichnungs-/Wiedergabegeschwindigkeiten]

### Aufzeichnungsgeschwindigkeiten

DVD-R	2x (CLV), 1x (CLV)
DVD-RW	1x (CLV)
CD-R	8x (CLV), 4x (CLV)

### Maximale Wiedergabegeschwindigkeiten

DVD-ROM (einseitig)	4x (CAV)
DVD-ROM (doppelseitig)	2x (CLV)
DVD-R	2x (CLV)
DVD-RW	2x (CLV)
CD-ROM	24x (CAV)
CD-R	16x (CAV)
CD-RW	16x (CAV)

## [Wiedergabe Leistung]

### Datenübertragungsgeschwindigkeit (Dauerbetrieb)

DVD-ROM (einseitig)	max. 5.540 KBytes/s
DVD-ROM (doppelseitig)	2.770 KBytes/s
DVD-R	2.770 KBytes/s
DVD-RW	2.770 KBytes/s
CD-ROM	max. 3.600 KBytes/s
CD-R	max. 2.400 KBytes/s
CD-RW	max. 2.400 KBytes/s

\* Die tatsächlich erzielte Übertragungsgeschwindigkeit richtet sich nach dem Zustand der jeweils verwendeten Disc (Kratzer usw.)

**Zugriffszeiten (mittlere wahlfreie Zugriffsrate)**

DVD-ROM (einseitig):	200 ms (typ.)
DVD-ROM (doppelseitig):	280 ms (typ.)
DVD-R/RW:	280 ms (typ.)
CD-ROM:	180 ms (typ.)
CD-R/RW:	260 ms (typ.)

**[Datenpuffer-Kapazität]**

2,0 MBytes (Schreiben)  
512 KBytes (Lesen)

**[Schnittstelle]**

SCSI-2 (Schnelle SCSI)

**[Sonstiges]**

Spannungsversorgung (Mit eingebautem Abschlußteil)	Gleichstrom +12 V, 1,0 A Gleichstrom +5 V, 1,5 A
Außenabmessungen	187,9 (B) x 74,4 (H) x 263,5 (T) mm
Gewicht	2,4 kg
Betriebstemperatur	+5 °C bis +35 °C (bei Einsatz zusammen mit Wechsler)
Betriebsluftfeuchtigkeit	5 % bis 85 % (keine Kondensation) (bei Einsatz zusammen mit Wechsler)
Lagertemperatur	-40 °C bis +60 °C
Lagerluftfeuchtigkeit	5 % bis 90 % (keine Kondensation)

- Discs, die mit diesem Gerät bespielt wurden, können u.U. nicht einwandfrei mit einem Player oder Laufwerk abgespielt werden, wenn das Abspielgerät nicht mit dem betreffenden Datenträgerformat kompatibel ist.
- Technische Änderungen zum Zweck der Produktverbesserung ohne vorherige Bekanntmachung vorbehalten.



このたびは、パイオニアの製品をお買い求めいただきまして、まことにありがとうございます。本機の機能を十分に発揮させて効果的にご利用いただくために、この取扱説明書を本機ご使用の前に最後まで必ずお読みください。

本機は700枚ディスクチェンジャー「DRM-7000」専用のオプションドライブです。本機単体での使用および他の機器への取り付けはできません。

本機の使用により、または故障により生じたデータの損失ならびに、その他直接・間接の損害につきましては、当社は一切の責任を負いかねますので、あらかじめご了承ください。重要なデータに関しては、万に備えてバックアップ（複製）を行ってください。

## 使用上の注意

---

本機を操作する前に、必ずこの取扱説明書をお読みください。

お読みになった後は、必ず保管してください。使用中にわからないことや不具合が生じたとき、きつとお役に立ちます。

ホコリの多い場所や、高温・多湿の場所では使用しないでください。

動作中に衝撃や振動を加えたり、電源スイッチを切らないでください。

異物や水が入らないよう注意してください。

結露に注意してください。特にインストール時に結露させてしまった場合は、必ず電源を切った状態で放置し、完全に乾くまでインストール作業は行わないでください。

内部点検や改造はお止めください。

ご使用中に本機から異常な音やにおいがしたときは、必ず電源を切ってから、点検を受けてください。

本機（型番：DVD-R7322）のご使用にあたっては、各国の著作権法に抵触しないようご注意ください。

本機は業務用途専用に開発・製造されております。

本機を使用して著作物の記録を行う場合には、各著作権者・著作隣接権者の許諾を得る必要があります。

各権利者の許諾なくして著作物の記録を行った場合には、処罰の対象となる場合があります。（この場合の権利者とのトラブルについては、弊社は一切の責任を負いかねます。）

### ディスクについてのご注意

#### 推奨ディスクについて

- 安定した記録・再生のために推奨ディスクをご使用ください。
- 推奨ディスクについては販売店または弊社ホームページにてご確認ください。

#### ディスクの取り扱い

ディスクに傷や指紋、ほこりが付くとデータの記録や再生ができなくなります。以下に示すことをよく読んで取り扱ってください。

- ディスクを持つときは信号面（光沢面）に触らないようにしてください。両端をはさむようにして持つか、中央の孔と端をはさんでください。



- ディスクに紙やシールなどを貼らないでください。
- ひびが入っていたり、反ったディスクは使用しないでください。（ディスクは高速回転するために危険です）
- 規格外のディスクを使用しないでください。使用した場合、本機および他の機器に悪影響をおよぼす場合があります。



- 特殊な形のディスク（ハート形や六角形等）を使用しないでください。故障の原因となることがあります。



- ディスクが汚れていたらディスクの内側から外側に向かって柔らかい布で拭いてください。円周に沿って拭かないでください。



- レコードスプレーや帯電防止剤は使用できません。また、ベンジンやシンナーなどの揮発性の薬品をかけると表面が侵されることがあるので使用しないでください。

### 記録用ディスクについて

データを記録できない / 記録中にエラーになる

- 推奨ディスクを使用していますか？
- 記録できるエリアは十分確保されていますか？
- ディスクファイナライズ（これ以上記録できないようにすること）したディスクを使用していますか？
- ディスクはレーベル面を上、記録面を下にして正しくセットしましたか？
- ディスクが汚れたり、傷ついたりしていませんか？

記録したディスクが読めない

- 推奨ディスクを使用していますか？
- 未記録のディスクを使用していませんか？
- ディスクが汚れたり、傷ついたりしていませんか？
- 光学部品およびディスクが結露していることも考えられるので、1～2時間程度放置してから使用してみてください。

その他、記録に関しては、ご使用のアプリケーションソフトのマニュアルをご参照ください。

## 設置上の注意

本機を設置する際には、以下の点に注意してください。

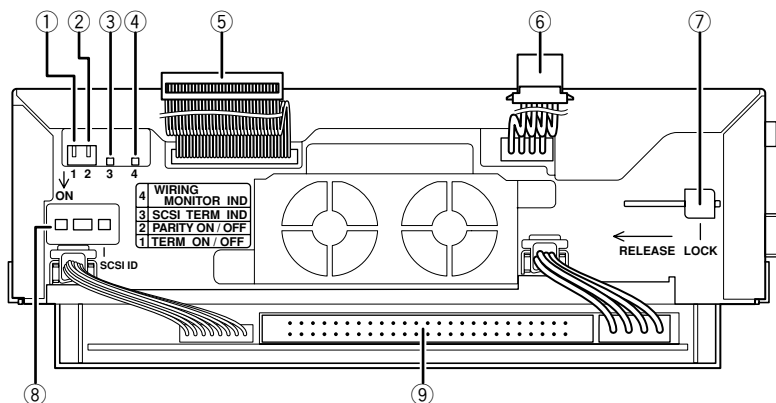
本機を700枚ディスクチェンジャー「DRM-7000」に搭載できる台数は最大4台までです。

本機は増設電源ユニット「DRM-PW701」との併用はできません。

本機が設置可能なリアベイNo.はNo.1からNo.8です。

# 各部の名称とはたらき

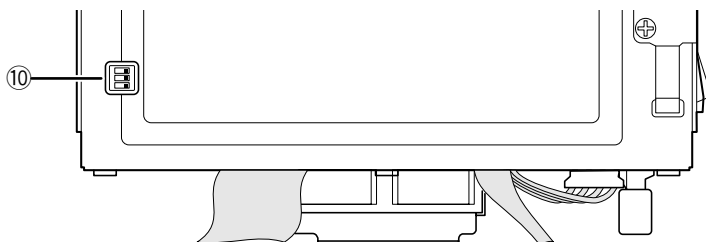
## 後面部



- ① SCSI ターミネートスイッチ  
ドライブ内蔵の SCSI ターミネータの ON/OFF を設定します。  
出荷時は「ON」に設定してあります。
- ② パリティスイッチ  
SCSI パリティチェック機能の ON/OFF を設定します。  
出荷時は「ON」に設定してあります。
- ③ ターミネートインジケータ  
ドライブをチェンジャーに装着し、電源用ケーブルを接続したとき、ドライブの SCSI ターミネートスイッチが ON であれば点灯します。
- ④ ワイヤリングモニタインジケータ  
点灯：
  - ディスクがドライブ内にあるとき。
  - ドライブをチェンジャーに装着し、電源用ケーブルを接続したとき。2 秒周期で点滅：
  - ドライブをチェンジャーに装着し、チェンジャーインタフェースケーブルを接続したとき。0.5 秒周期で点滅：
  - チェンジャーの「ドライブ交換ガイド機能」で、交換するドライブに指定されたとき。
- ⑤ チェンジャーインタフェースケーブル  
チェンジャー内部のチェンジャーインタフェースコネクタに接続します。
- ⑥ 電源用ケーブル  
チェンジャー内部の電源コネクタに接続します。
- ⑦ ロックレバー  
ドライブをチェンジャーから取り外すときは、ロックレバーを「RELEASE」側に倒しながらドライブを引き抜きます。
- ⑧ SCSI ID スイッチ  
ドライブの SCSI ID を設定します。  
右側の突起を押すと数字がダウンし、左側の突起を押すと数字がアップします。  
出荷時は「0」に設定してあります。
- ⑨ SCSI インタフェースコネクタ  
チェンジャーに付属の SCSI ケーブルまたはオプションの SCSI ケーブルと接続します。

ご注意：  
コネクタの端子部に触らないでください。  
接触不良や静電気破壊の原因となります。

## 上面部



### ⑩ ファンクションスイッチ

ON OFF



このスイッチは工場出荷時の検査に使用します。設定を変えないでください。

- 工場出荷時はスイッチはOFFになっています。

## ドライブの取り付けかた

---

ドアの開け方については700枚ディスクチェンジャー「DRM-7000」の取扱説明書をご参照ください。

取り付ける前に、ドライブの後面で以下の設定をしてください。

- SCSI-ID の設定  
同一のSCSIバス上で、SCSI-ID が重複しないようにしてください。
- ターミネートスイッチの設定  
SCSIバスの終端となるドライブのターミネートスイッチはONにしてください。

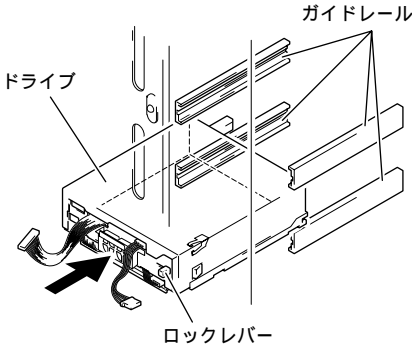
### 静電気に関する注意

ドライブを取り扱う場合、各コネクタ端子部分には絶対に触れないでください。

また、チェンジャーにドライブを追加する場合は身体の一部をチェンジャー本体の金属部に接触させてから行ってください。



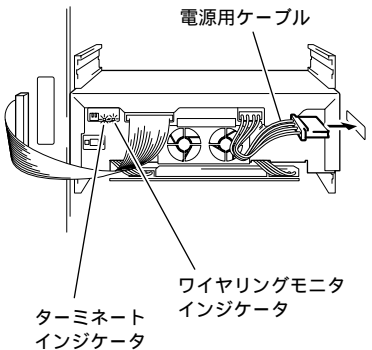
1. チェンジャーのガイドレールにドライブを載せ、カチッと音がし、ロックレバーが「LOCK」側に倒れるまで押し込みます。



ドライブをチェンジャーから取り外すときは、ロックレバーを「RELEASE」側へ倒しながら引き抜きます。

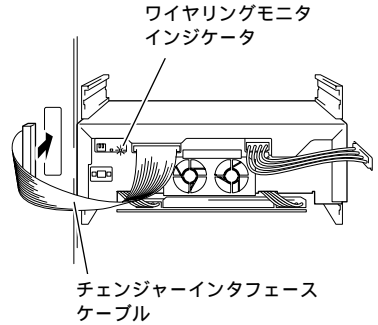
2. 電源用ケーブルを接続します。

- ワイヤリングモニタインジケータが点灯します。
- ターミネートスイッチがON のときには、ターミネートインジケータも点灯します。



3. チェンジャーインタフェースケーブルを接続します。

- ワイヤリングモニタインジケータが2秒周期で点滅します。



ご注意：

チェンジャーインタフェースケーブルは、ドライブを取り付けたベイに対応するコネクタに接続してください。(コネクタには対応するベイ番号のラベルが貼ってあります。誤って隣接するコネクタに接続した場合、ディスクを破損することがあります。)

4. SCSI インタフェースケーブルを接続します。

SCSI ケーブルの配線は、チェンジャーをどのような構成にするかによって異なります。詳しくは700枚ディスクチェンジャー「DRM-7000」の取扱説明書をご参照ください。

# リージョン（地域）コードについて

---

地域コードは、DVD 規格の一部です。

DVD ビデオディスク及び DVD ビデオプレーヤには発売地域ごとに再生可能な地域コードが設けられており、ディスクとプレーヤの地域コードが一致しなければ再生は行えません。

このドライブの地域コードの変更は（初回の設定を含め）5 回しか行えません（5 回目の変更が最終の地域コードとして固定されます）ので、変更を行う際には十分に注意してください。

\* 地域コードの変更（設定）方法は、使用するデコーダや OS 等により異なります。

## 仕 様

---

### 【対応フォーマット】

#### 記録フォーマット

DVD-R for general Ver.2.0	Disc at Once, Border at Once, Packet Write
DVD-RW Ver.1.1	Disc at Once, Border at Once, Packet Write
CD-R	Disc at Once, Track at Once, Session at Once, Packet Write (Variable Packet / Fixed Packet)

#### 再生フォーマット

DVD-ROM, DVD-Video
DVD-R (for General / for Authoring 3.95GB, 4.7GB)
DVD-RW Ver.1.1
CD-ROM Mode 1
CD-ROM XA Mode 2 (form 1, form 2)
CD-R, CD-RW, CD-DA, CD-Extra, Video-CD

DVD-RAM は記録 / 再生共に対応していません。

### 【記録・再生速度】

#### 記録速度

DVD-R	X2 (CLV), X1 (CLV)
DVD-RW	X1 (CLV)
CD-R	X8 (CLV), X4 (CLV)

#### 最大再生速度

DVD-ROM (シングル)	X4 (CAV)
DVD-ROM (デュアル)	X2 (CLV)
DVD-R	X2 (CLV)
DVD-RW	X2 (CLV)
CD-ROM	X24 (CAV)
CD-R	X16 (CAV)
CD-RW	X16 (CAV)

## 【再生性能】

データ転送速度 (サステイン)	
DVD-ROM (シングル)	max. 5540KB/sec
DVD-ROM (デュアル)	2770KB/sec
DVD-R	2770KB/sec
DVD-RW	2770KB/sec
CD-ROM	max. 3600KB/sec
CD-R	max. 2400KB/sec
CD-RW	max. 2400KB/sec

使用するディスクの状態 (キズ等) によっては転送速度が低下します。

## アクセスタイム (ランダム平均値)

DVD-ROM (シングル)	typ. 200ms
DVD-ROM (デュアル)	typ. 280ms
DVD-R/RW	typ. 280ms
CD-ROM	typ. 180ms
CD-R/RW	typ. 260ms

## 【データバッファ容量】

2.0MB (記録時)
512KB (再生時)

## 【インターフェイス】

SCSI-2 (Fast SCSI)

## 【その他】

電源 (内蔵ターミネータ使用時)	DC +12 V, 1.0 A DC +5 V, 1.5 A
外形寸法	187.9(幅) × 74.4(高さ) × 263.5(奥行き) mm
質量 (重量)	2.4 kg
動作温度	+5 ~ +35 (チェンジャーの動作環境における規定)
動作湿度	5% ~ 85% (結露のないこと) (チェンジャーの動作環境における規定)
保存温度	-40 ~ +60
保存湿度	5% ~ 90% (結露のないこと)

- 本機で記録したディスクは、そのメディアの再生に対応しているプレーヤー、ドライブ以外では正しく再生されない場合があります。
- 仕様および外観は改良のため予告なく変更する場合があります。

## AFTER-SALES SERVICE FOR PIONEER PRODUCTS

Please contact the dealer or distributor from where you purchased the product for its after-sales service (including warranty conditions) or any other information. In case the necessary information is not available, please contact the Pioneer's subsidiaries (regional service headquarters) listed below:

PLEASE DO NOT SHIP YOUR PRODUCT TO THE COMPANIES at the addresses listed below for repair without advance contact, for these companies are not repair locations.

### AMERICA

**PIONEER ELECTRONICS (USA) INC.**  
**CUSTOMER SUPPORT DIVISION**  
P.O. BOX 1760, LONG BEACH, CA 90801-1760, U.S.A.

### EUROPE

PIONEER EUROPE NV  
EUROPEAN SERVICE DIVISION  
HAVEN 1087, KEETBERGLAAN 1, B-9120 MELSELE, BELGIUM

### ASEAN

PIONEER ELECTRONICS ASIACENTRE PTE. LTD.  
SERVICE DEPARTMENT  
253, ALEXANDRA ROAD #04-01 SINGAPORE 159936

### JAPAN AND OTHERS

PIONEER CORPORATION (HEAD OFFICE)  
CUSTOMER SUPPORT CENTER  
4-1, MEGURO 1-CHOME, MEGURO-KU, TOKYO 153-8654 JAPAN

この取扱説明書は再生紙を使用しています。

Published by Pioneer Corporation.  
Copyright © 2001 Pioneer Corporation.  
All rights reserved.

© 2001 パイオニア株式会社 禁無断転載

**パイオニア株式会社** ☎ 153-8654 東京都目黒区目黒1丁目4番1号

**PIONEER CORPORATION** 4-1, Meguro 1-Chome, Meguro-ku, Tokyo 153-8654, Japan

**PIONEER ELECTRONICS (USA) INC. Laser Optical Systems Division:**

2265 East 220th Street, Long Beach, CA 90810, U.S.A. TEL: 1-310-952-2111

**PIONEER EUROPE NV Multimedia Division:**

PIONEER House, Hollybush Hill, STOKE POGES, SLOUCH SL2 4QP U.K. TEL: 44-1753-789-789

**PIONEER ELECTRONICS OF CANADA, INC. Industrial Products Department:**

300 Allstate Parkway, Markham, Ontario L3R 0P2, Canada TEL: 1-905-479-4411

**PIONEER ELECTRONICS AUSTRALIA PTY. LTD.**

178-184 Boundary Road, Braeside, Victoria 3195, Australia TEL: 61-39-586-6300

**PIONEER ELECTRONICS ASIACENTRE PTE. LTD.**

253 Alexandra Road #04-01, Singapore 159936 TEL: 65-472-1111

## Free Manuals Download Website

<http://myh66.com>

<http://usermanuals.us>

<http://www.somanuals.com>

<http://www.4manuals.cc>

<http://www.manual-lib.com>

<http://www.404manual.com>

<http://www.luxmanual.com>

<http://aubethermostatmanual.com>

Golf course search by state

<http://golfingnear.com>

Email search by domain

<http://emailbydomain.com>

Auto manuals search

<http://auto.somanuals.com>

TV manuals search

<http://tv.somanuals.com>