

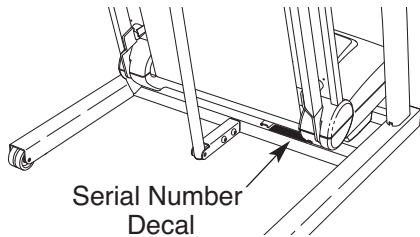
PRO-FORM[®]

980 AUDIO TRAINER

Model No. PCTL12009.0

Serial No. _____

Write the serial number in the space above for reference.



USER'S MANUAL

QUESTIONS?

If you have questions, or if parts are damaged or missing, **PLEASE CONTACT OUR CUSTOMER SERVICE DEPARTMENT DIRECTLY.**

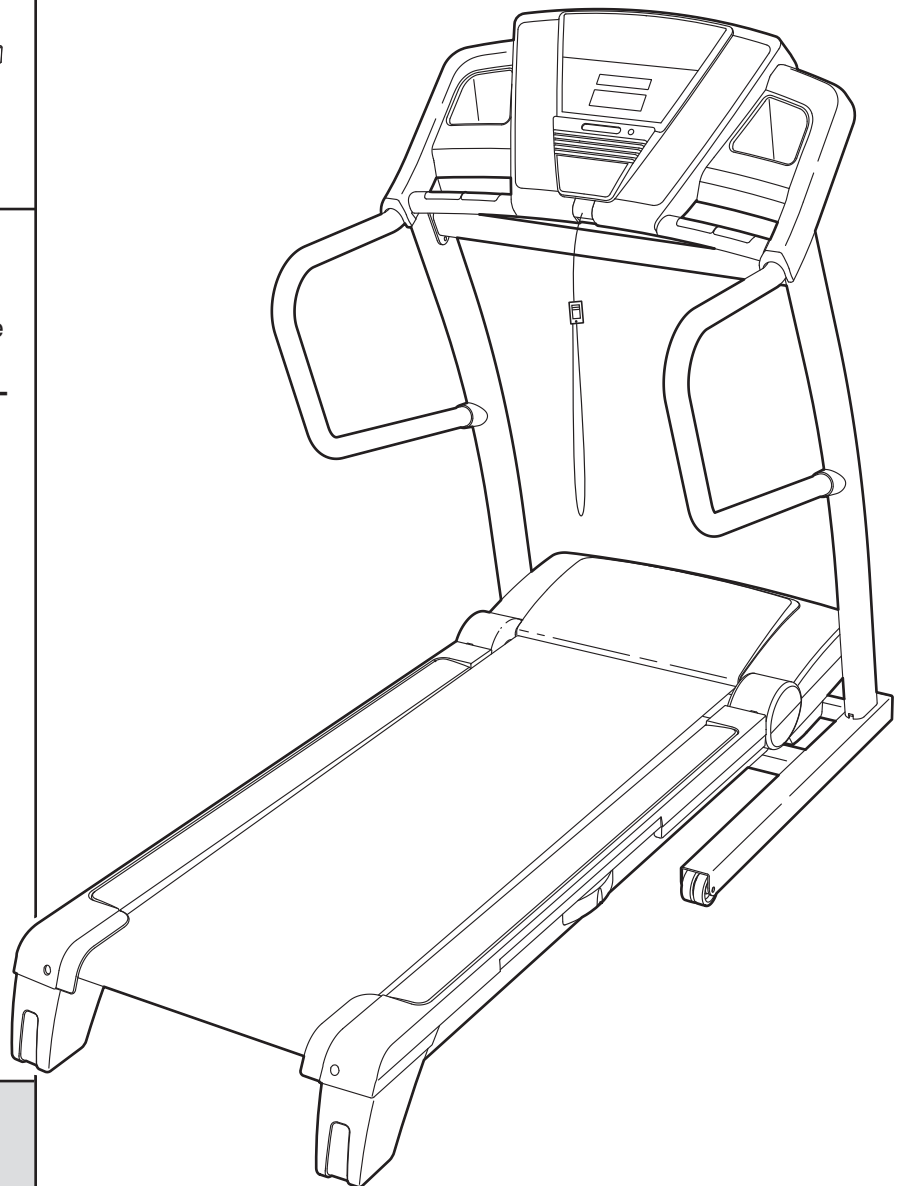
CALL TOLL-FREE:

1-888-936-4266

Mon.–Fri., 7:30 until 16:30 ET
(excluding holidays)

OR E-MAIL US:

customerservice@iconcanada.ca



CAUTION

Read all precautions and instructions in this manual before using this equipment. Save this manual for future reference.

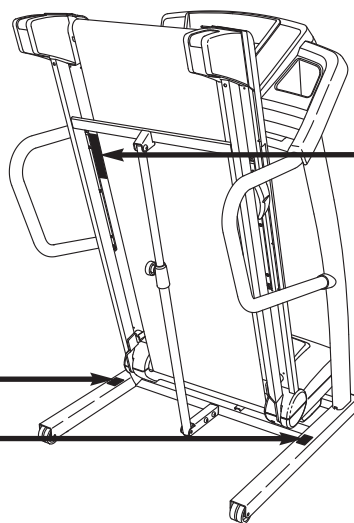
www.proform.com

TABLE OF CONTENTS





WARNING DECAL PLACEMENT2
IMPORTANT PRECAUTIONS3
BEFORE YOU BEGIN5
ASSEMBLY6
OPERATION AND ADJUSTMENT13
HOW TO FOLD AND MOVE THE TREADMILL20
TROUBLESHOOTING22
EXERCISE GUIDELINES25
PART LIST26
EXPLODED DRAWING28
ORDERING REPLACEMENT PARTSBack Cover
LIMITED WARRANTYBack Cover

WARNING DECAL PLACEMENT

This drawing shows the locations of the warning decals. **If a decal is missing or illegible, call the telephone number on the front cover of this manual and request a free replacement decal. Apply the decal in the location shown.**
 Note: The decals may not be shown at actual size.



▲WARNING:
 Protect yourself and others from risk of serious injury. Read the user's manual and :

-  •Stand only on the side rails when starting or stopping treadmill.
- Change speed in small increments.
- Hold handrails to prevent falling, and always wear the safety clip while operating treadmill.
- Stop if you feel faint, dizzy, or short of breath.
- Fully engage storage latch before treadmill is moved or stored.
- Reduce incline to its lowest level before folding treadmill into storage position.
-  •Never allow children on or around treadmill.
- Remove key when not in use.
-  •Keep clothing, fingers, and hair away from moving belt.
- Never try to adjust or fix the belt while it is moving.
-  •Always wear athletic shoes while operating treadmill.

IMPORTANT PRECAUTIONS

⚠ WARNING: To reduce the risk of serious injury, read all important precautions and instructions in this manual and all warnings on your treadmill before using your treadmill. ICON assumes no responsibility for personal injury or property damage sustained by or through the use of this product.

1. Before beginning any exercise program, consult your physician. This is especially important for persons over age 35 or persons with pre-existing health problems.
2. It is the responsibility of the owner to ensure that all users of this treadmill are adequately informed of all warnings and precautions.
3. Use the treadmill only as described.
4. Place the treadmill on a level surface, with at least 8 ft. (2.4 m) of clearance behind it and 2 ft. (0.6 m) on each side. Do not place the treadmill on any surface that blocks air openings. To protect the floor or carpet from damage, place a mat under the treadmill.
5. Keep the treadmill indoors, away from moisture and dust. Do not put the treadmill in a garage or covered patio, or near water.
6. Do not operate the treadmill where aerosol products are used or where oxygen is being administered.
7. Keep children under age 12 and pets away from the treadmill at all times.
8. The treadmill should be used only by persons weighing 325 lbs. (147 kg) or less.
9. Never allow more than one person on the treadmill at a time.
10. Wear appropriate exercise clothes when using the treadmill. Do not wear loose clothes that could become caught in the treadmill. Athletic support clothes are recommended for both men and women. *Always wear athletic shoes. Never use the treadmill with bare feet, wearing only stockings, or in sandals.*
11. When connecting the power cord (see page 13), plug the power cord into a surge suppressor (not included) and plug the surge suppressor into a grounded circuit capable of carrying 15 or more amps. No other appliance should be on the same circuit. Do not use an extension cord.
12. Use only a single-outlet surge suppressor that meets all of the specifications described on page 13. To purchase a surge suppressor call the telephone number on the front cover of this manual.
13. Failure to use a properly functioning surge suppressor could result in damage to the control system of the treadmill. If the control system is damaged, the walking belt may slow, accelerate, or stop unexpectedly, which may result in a fall and serious injury.
14. Keep the power cord and the surge suppressor away from heated surfaces.
15. Never move the walking belt while the power is turned off. Do not operate the treadmill if the power cord or plug is damaged, or if the treadmill is not working properly. (See TROUBLESHOOTING on page 22 if the treadmill is not working properly.)
16. Read, understand, and test the emergency stop procedure before using the treadmill (see HOW TO TURN ON THE POWER on page 15).
17. Never start the treadmill while you are standing on the walking belt. Always hold the handrails while using the treadmill.
18. The treadmill is capable of high speeds. Adjust the speed in small increments to avoid sudden jumps in speed.
19. The pulse sensor is not a medical device. Various factors, including the user's movement, may affect the accuracy of heart rate readings. The pulse sensor is intended only as an exercise aid in determining heart rate trends in general.

20. Never leave the treadmill unattended while it is running. Always remove the key, unplug the power cord, and switch the reset/off circuit breaker to the off position when the treadmill is not in use. (See the drawing on page 5 for the location of the circuit breaker.)
21. Do not attempt to raise, lower, or move the treadmill until it is properly assembled. (See ASSEMBLY on page 6, and HOW TO FOLD AND MOVE THE TREADMILL on page 20.) You must be able to safely lift 45 lbs. (20 kg) to raise, lower, or move the treadmill.
22. When folding or moving the treadmill, make sure that the storage latch is holding the frame securely in the storage position.
23. Never insert any object into any opening on the treadmill.
24. Inspect and properly tighten all parts of the treadmill regularly.
25. **DANGER:** Always unplug the power cord immediately after use, before cleaning the treadmill, and before performing the maintenance and adjustment procedures described in this manual. Never remove the motor hood unless instructed to do so by an authorized service representative. Servicing other than the procedures in this manual should be performed by an authorized service representative only.
26. This treadmill is intended for in-home use only. Do not use this treadmill in a commercial, rental, or institutional setting.
27. Over exercising may result in serious injury or death. If you feel faint or if you experience pain while exercising, stop immediately and cool down.

SAVE THESE INSTRUCTIONS

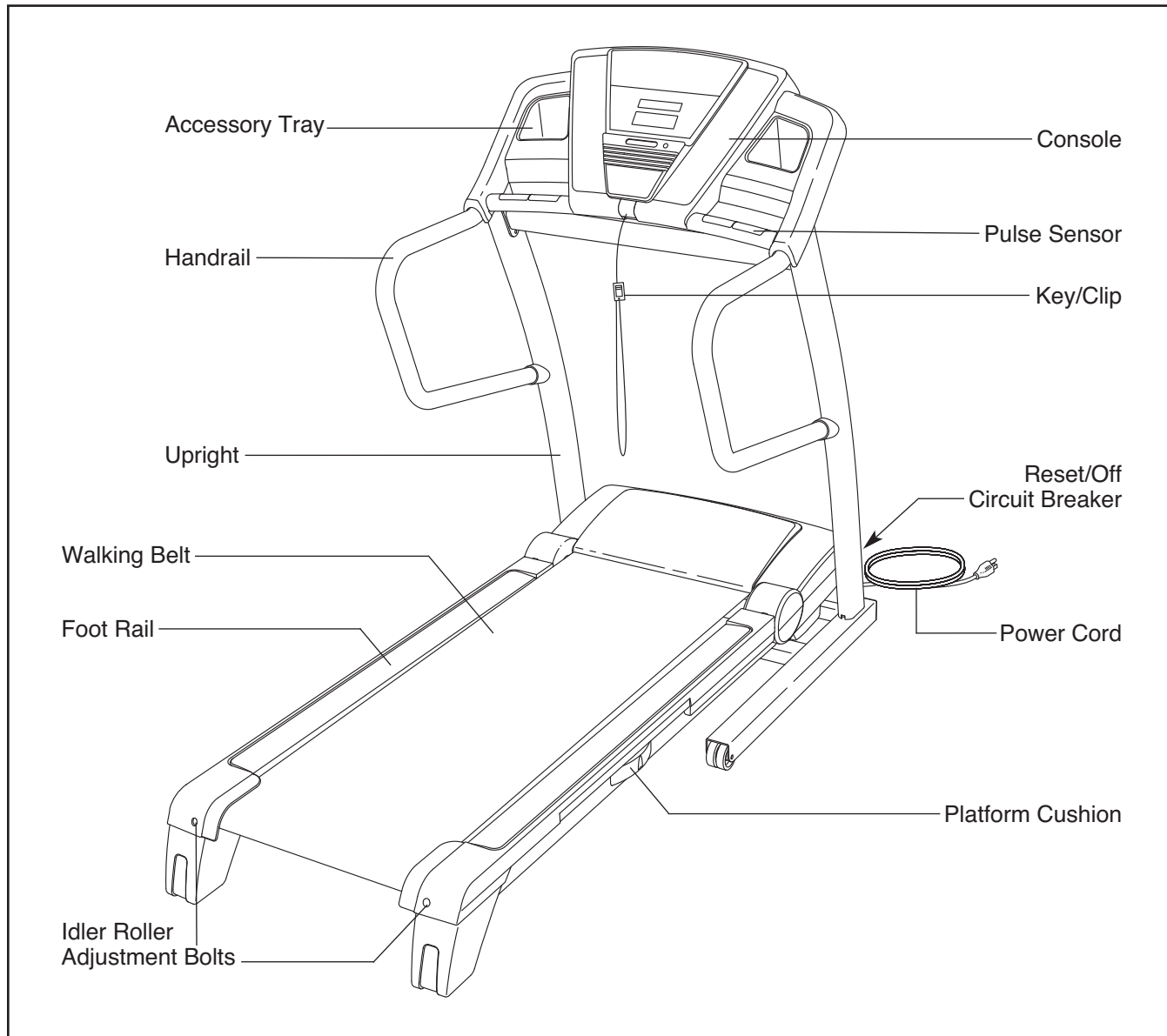
BEFORE YOU BEGIN

Thank you for selecting the revolutionary PROFORM® 980 AUDIO TRAINER treadmill. The 980 AUDIO TRAINER treadmill offers an impressive selection of features designed to make your workouts at home more enjoyable and effective. And when you're not exercising, the unique treadmill can be folded up, requiring less than half the floor space of other treadmills.

For your benefit, read this manual carefully before using the treadmill. If you have questions after read-

ing this manual, please see the front cover of this manual. To help us assist you, note the product model number and serial number before contacting us. The model number and the location of the serial number decal are shown on the front cover of this manual.

Before reading further, please familiarize yourself with the parts that are labeled in the drawing below.

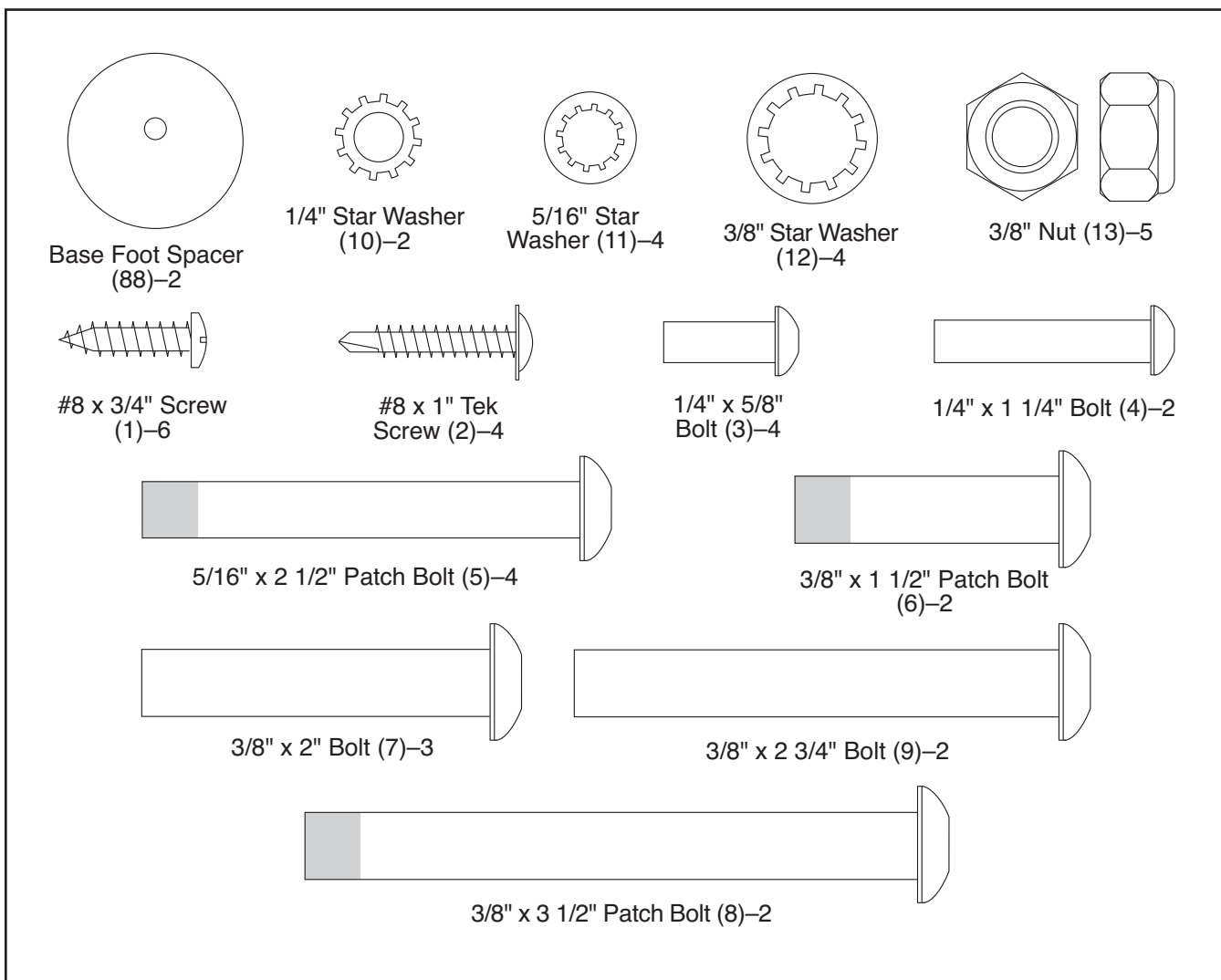


ASSEMBLY

Assembly requires two persons. Set the treadmill in a cleared area and remove all packing materials. **Do not dispose of the packing materials until assembly is completed.** Note: The underside of the treadmill walking belt is coated with high-performance lubricant. During shipping, some lubricant may be transferred to the top of the walking belt or the shipping carton. This is normal and does not affect treadmill performance. If there is lubricant on top of the walking belt, simply wipe off the lubricant with a soft cloth and a mild, non-abrasive cleaner.

Assembly requires the included hex keys  and your own Phillips screwdriver , adjustable wrench , needlenose pliers , scissors , and rubber mallet .

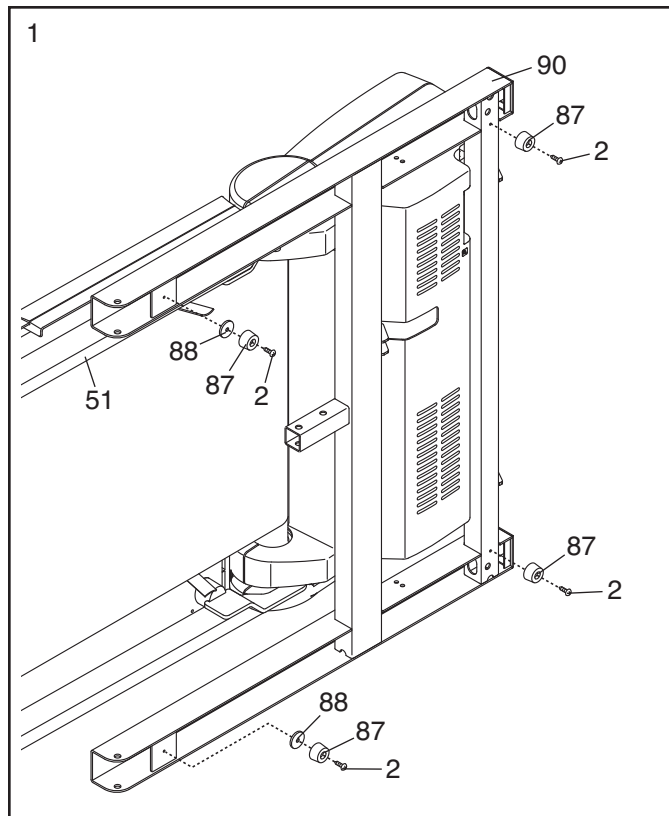
Use the drawings below to identify the assembly hardware. The number in parentheses below each drawing is the key number of the part, from the PART LIST near the end of this manual. The number after the parentheses is the quantity needed for assembly. **Note: If a part is not in the hardware kit, check to see if it is preattached to one of the parts to be assembled. To avoid damaging plastic parts, do not use power tools for assembly. Extra hardware may be included.**



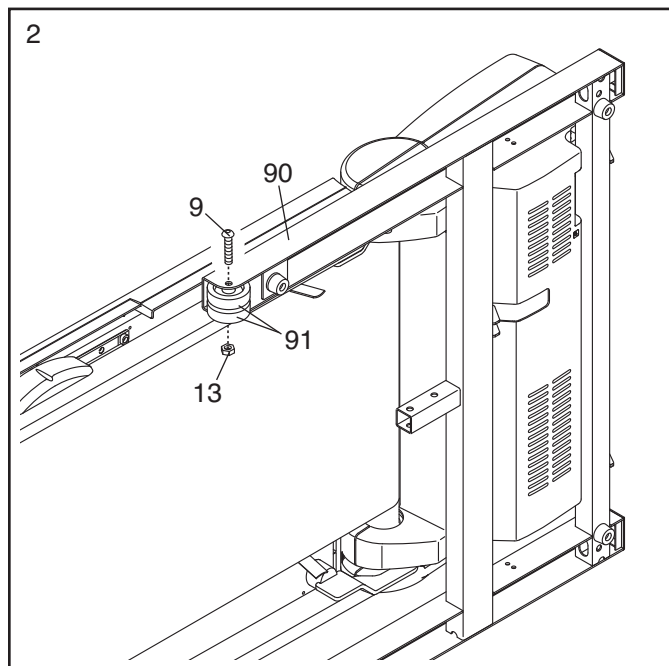
1. **Make sure that the power cord is unplugged.**

With the help of a second person, carefully tip the treadmill onto its left side. Partially fold the Frame (51) so that the treadmill is more stable; **do not fully fold the Frame yet.**

Attach two Base Feet (87) to the Base (90) in the locations shown with two #8 x 1" Tek Screws (2) and two Base Foot Spacers (88). Then, attach two Base Feet (87) with only two #8 x 1" Tek Screws (2).

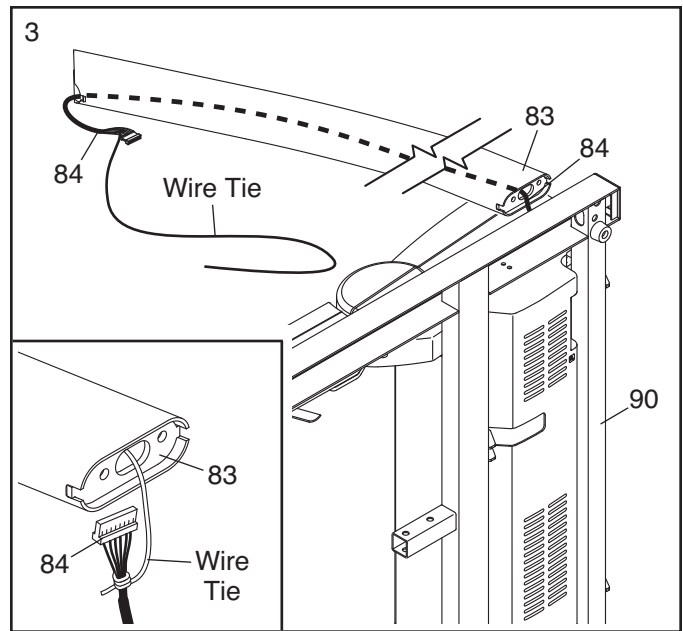


2. Attach two Wheels (91) to the Base (90) with a 3/8" x 2 3/4" Bolt (9) and a 3/8" Nut (13). **Do not overtighten the Nut; the Wheels must turn freely.**

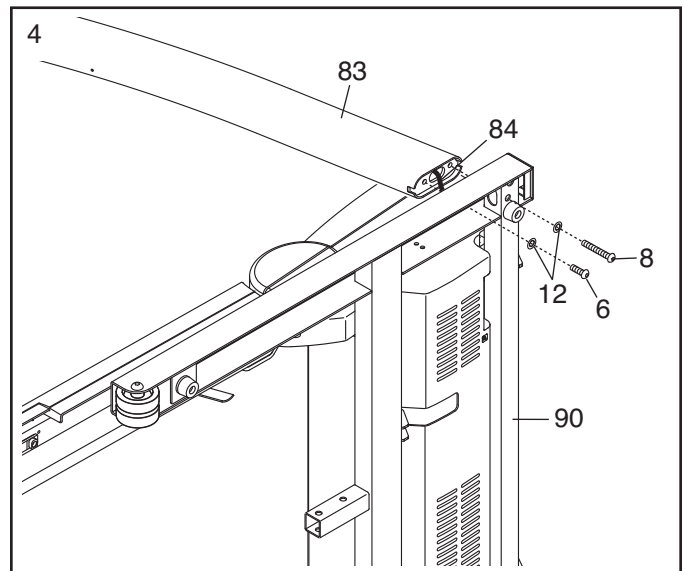


- Identify the Right Upright (83), which is marked with a "Right" sticker.

Have a second person hold the Right Upright (83) near the Base (90). **See the inset drawing.** Tie the wire tie in the Right Upright securely around the end of the Wire Harness (84). Then, pull the other end of the wire tie until the Wire Harness is routed completely through the Right Upright.

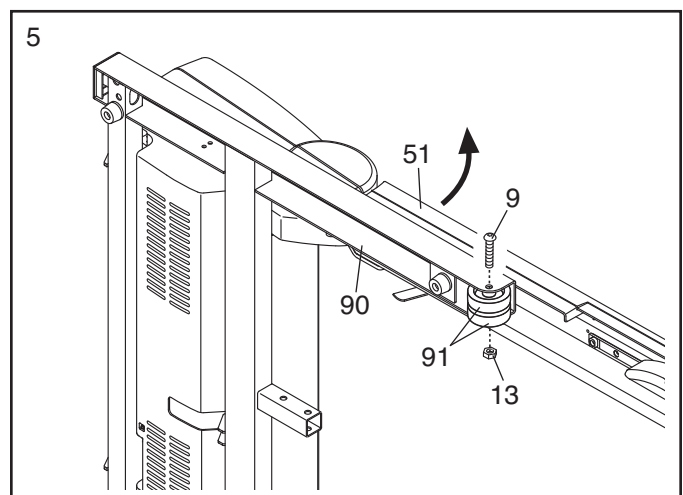


- Attach the Right Upright (83) to the Base (90) with a 3/8" x 3 1/2" Patch Bolt (8), a 3/8" x 1 1/2" Patch Bolt (6), and two 3/8" Star Washers (12) in the indicated locations. **Be careful not to pinch the Wire Harness (84).** Partially tighten the Patch Bolts until the heads of the Patch Bolts touch the Base; **do not fully tighten the Patch Bolts yet.**



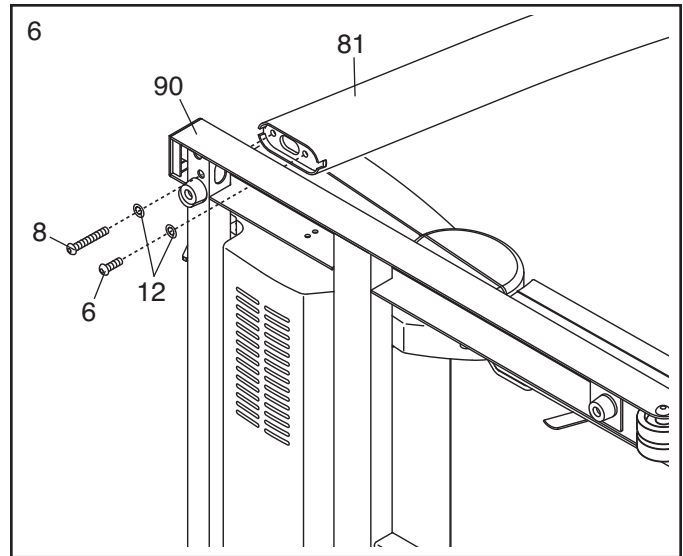
- With the help of a second person, carefully tip the treadmill onto its right side. Partially fold the Frame (51) so the treadmill is more stable; **do not fully fold the Frame yet.**

Attach two Wheels (91) to the Base (90) with a 3/8" x 2 3/4" Bolt (9) and a 3/8" Nut (13). **Do not overtighten the Nut; the Wheels must turn freely.**

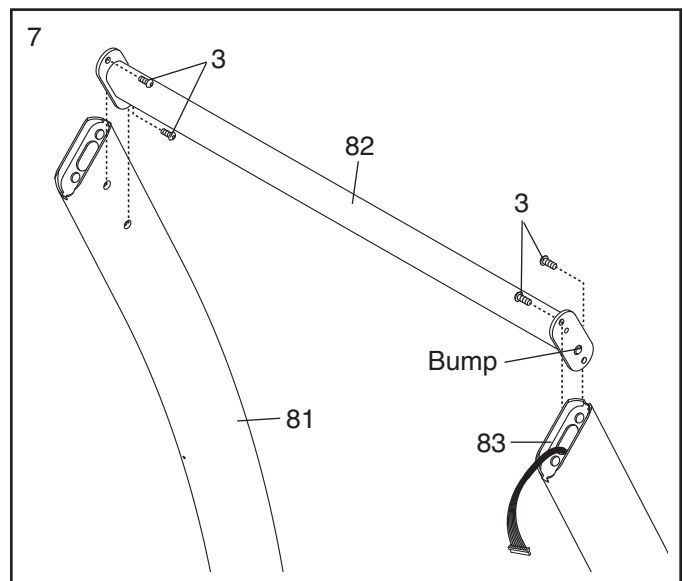


6. Attach the Left Upright (81) to the Base (90) with a 3/8" x 3 1/2" Patch Bolt (8), a 3/8" x 1 1/2" Patch Bolt (6), and two 3/8" Star Washers (12) in the indicated locations. Partially tighten the Patch Bolts until the heads of the Patch Bolts touch the Base; **do not fully tighten the Patch Bolts yet.**

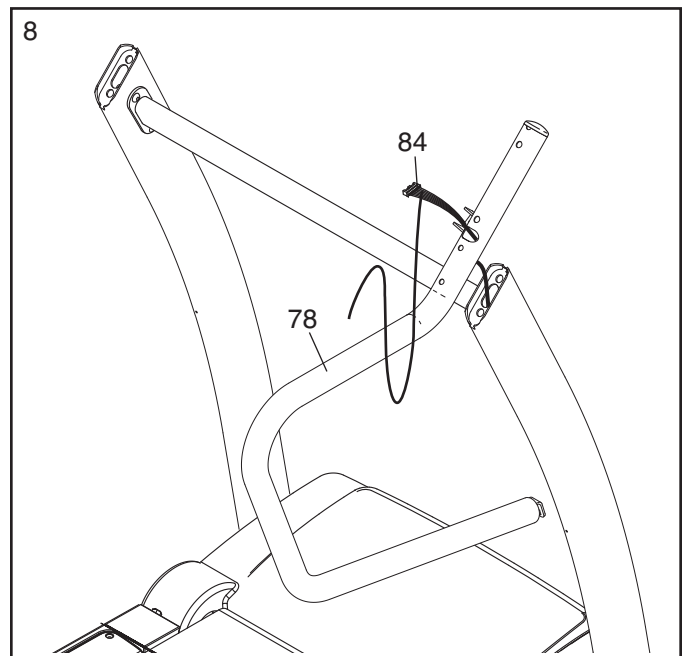
With the help of a second person, tip the treadmill so that the Base (90) is flat on the floor.



7. Orient the Crossbar (82) so that the indicated bump is in the position shown. Attach the Crossbar to the Uprights (81, 83) with four 1/4" x 5/8" Bolts (3); **do not tighten the Bolts yet.** Note: The bump will go into a hole in the Right Upright.



8. Identify the Right Handrail (78), which is marked with a sticker. Insert the end of the Wire Harness (84) into the hole in the bottom of the Right Handrail and out of the hole in the top.

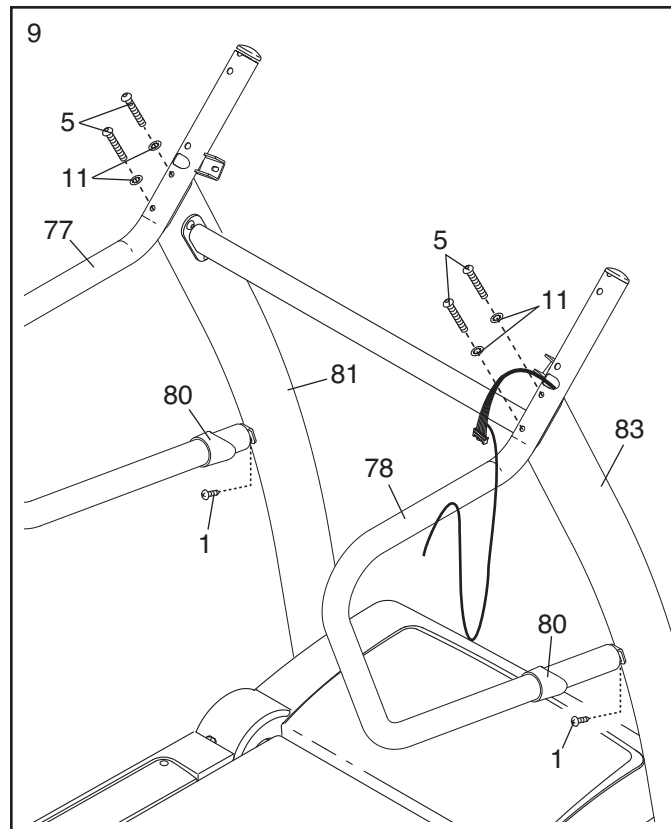


9. Slide the two Handrail Caps (80) onto the lower ends of the Left Handrail (77) and the Right Handrail (78) as shown.

Attach the Handrails (77, 78) to the Uprights (81, 83) with two #8 x 3/4" Screws (1), four 5/16" x 2 1/2" Patch Bolts (5), and four 5/16" Star Washers (11).

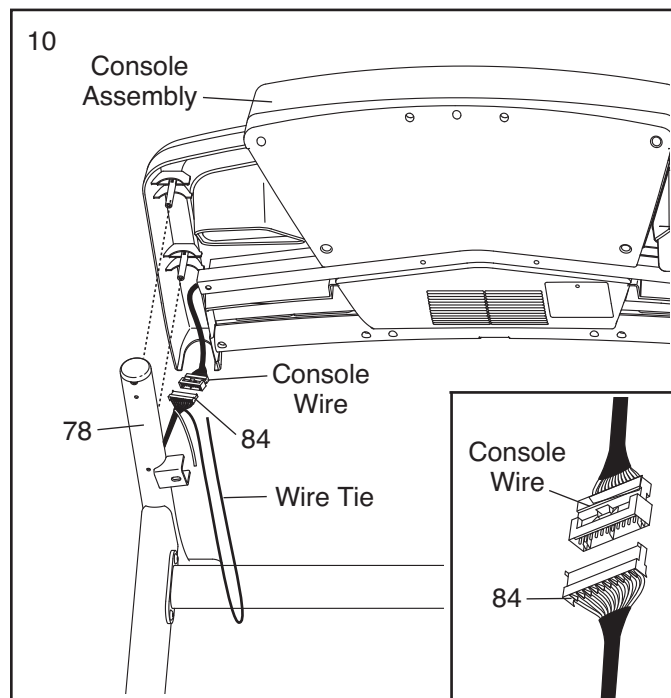
Orient the Handrail Caps (80) as shown. Slide the Handrail Caps against the Uprights (81, 83).

Firmly tighten the four 5/16" x 2 1/2" Patch Bolts (5).



10. Have a second person hold the console assembly near the Right Handrail (78). Connect the Wire Harness (84) to the console wire. **See the inset drawing. The connectors should slide together easily and snap into place.** If they do not, turn one connector and try again. **IF THE CONNECTORS ARE NOT CONNECTED PROPERLY, THE CONSOLE MAY BE DAMAGED WHEN YOU TURN ON THE POWER.** Next, remove the wire tie from the Wire Harness. Insert the connectors and the excess wire into the Right Handrail.

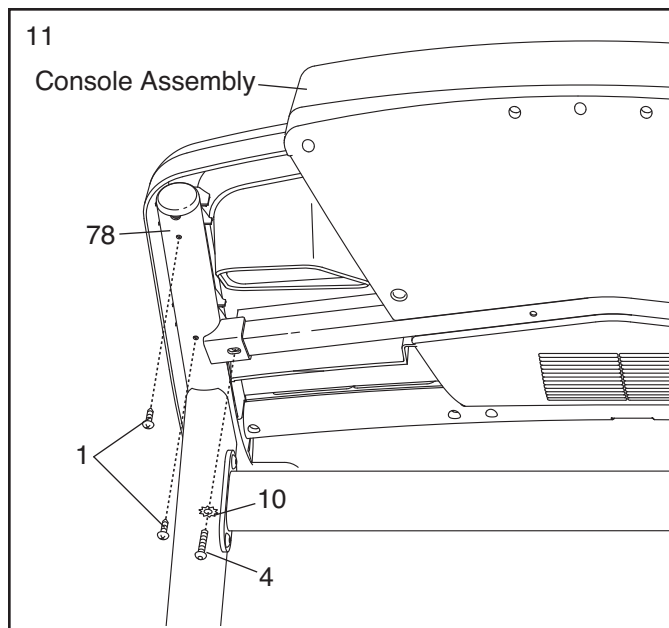
Set the console assembly on the Right Handrail (78) and the Left Handrail (not shown). **Be careful not to pinch the wires.**



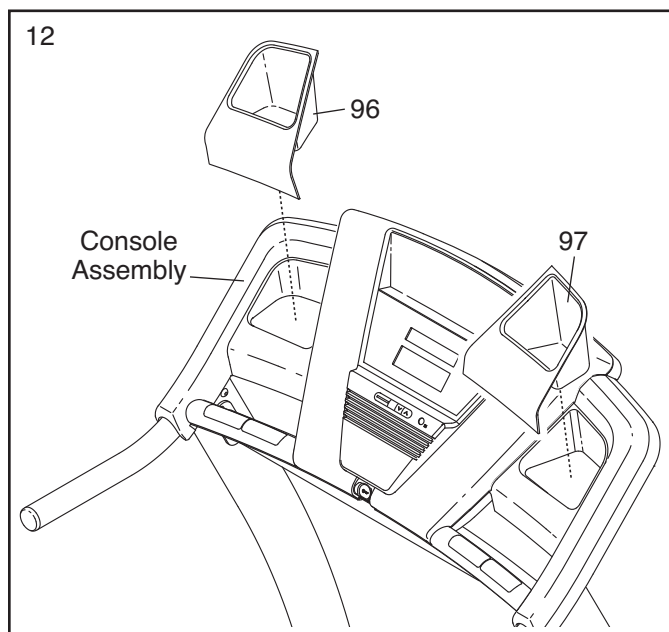
11. **Be careful not to pinch the wires in the Right Handrail (78).**

Attach the console assembly to the Right Handrail (78) with two #8 x 3/4" Screws (1), a 1/4" x 1 1/4" Bolt (4), and a 1/4" Star Washer (10). **Repeat this step on the left side of the console assembly. Start all four Screws and both Bolts before tightening any of them.**

See step 7. Tighten the four 1/4" x 5/8" Bolts (3).



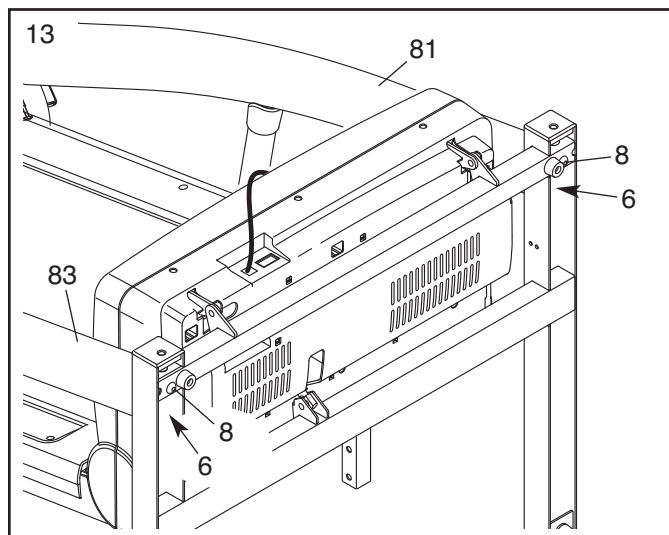
12. If necessary, press the Left Accessory Tray (96) and the Right Accessory Tray (97) into the console assembly.



13. Carefully lower the Uprights (81, 83).

Tighten the two 3/8" x 1 1/2" Patch Bolts (6) and the two 3/8" x 3 1/2" Patch Bolts (8).

Raise the Uprights (81, 83).



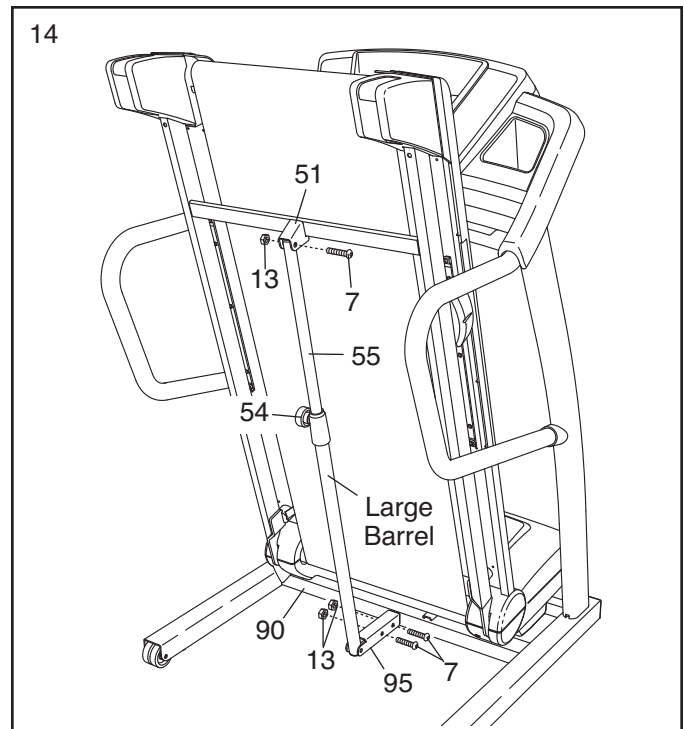
14. Raise the Frame (51) to the position shown. **Have a second person hold the Frame until this step is completed.**

Orient the Storage Latch (55) so that the large barrel and the Latch Knob (54) are in the positions shown.

Remove the tie from the upper end of the Storage Latch (55). Attach the upper end of the Storage Latch to the bracket on the Frame (51) with a 3/8" x 2" Bolt (7) and a 3/8" Nut (13).

Attach the Latch Bracket (95) to the bracket on the Base (90) with two 3/8" x 2" Bolts (7) and two 3/8" Nuts (13). Note: It may be necessary to move the Frame (51) back and forth to align the Latch Bracket with the bracket on the Base.

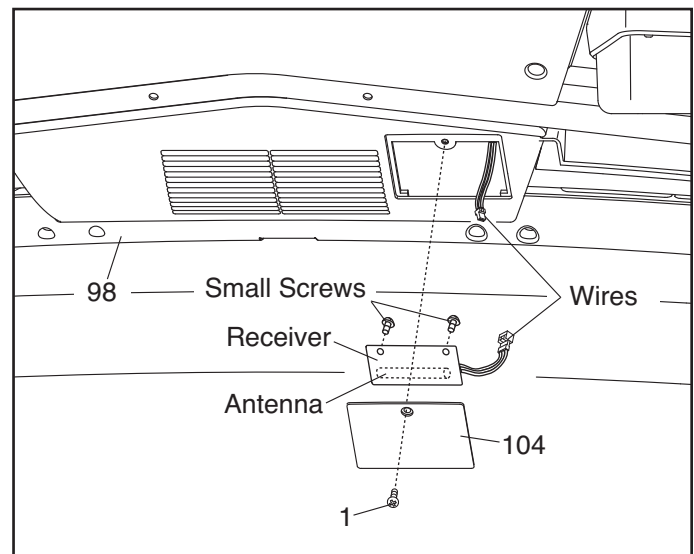
Lower the Frame (51) (see HOW TO LOWER THE TREADMILL FOR USE on page 21).



15. **Make sure that all parts are properly tightened before you use the treadmill.** If there are sheets of clear plastic on the treadmill decals, remove the plastic. To protect the floor or carpet, place a mat under the treadmill. Note: Extra hardware may be included. Keep the included hex keys in a secure place; one of the hex keys is used to adjust the walking belt (see pages 23 and 24).

If you purchase the optional chest pulse sensor (see page 19), follow the steps below to install the receiver included with the chest pulse sensor.

1. **Make sure that the power cord is unplugged.** Remove the indicated #8 x 3/4" Screw (1) and the Access Door (104) from the Console Base (98).
2. Connect the wire on the receiver to the indicated wire extending from the Console Base (98). **Hold the receiver so the antenna is oriented as shown and is facing the Console Base.** Attach the receiver to the plastic posts on the Access Door (104) with the included small screws.
3. **Be careful not to pinch the wires.** Reattach the Access Door (104) with the #8 x 3/4" Screw (1). Discard the other wires included with the receiver.



OPERATION AND ADJUSTMENT

THE PRE-LUBRICATED WALKING BELT

Your treadmill features a walking belt coated with high-performance lubricant. **IMPORTANT: Never apply silicone spray or other substances to the walking belt or the walking platform. Such substances will deteriorate the walking belt and cause excessive wear.**

HOW TO PLUG IN THE POWER CORD

⚠ DANGER: Improper connection of the equipment-grounding conductor can result in an increased risk of electric shock. Check with a qualified electrician or serviceman if you are in doubt as to whether the product is properly grounded. Do not modify the plug provided with the product—if it will not fit the outlet, have a proper outlet installed by a qualified electrician.

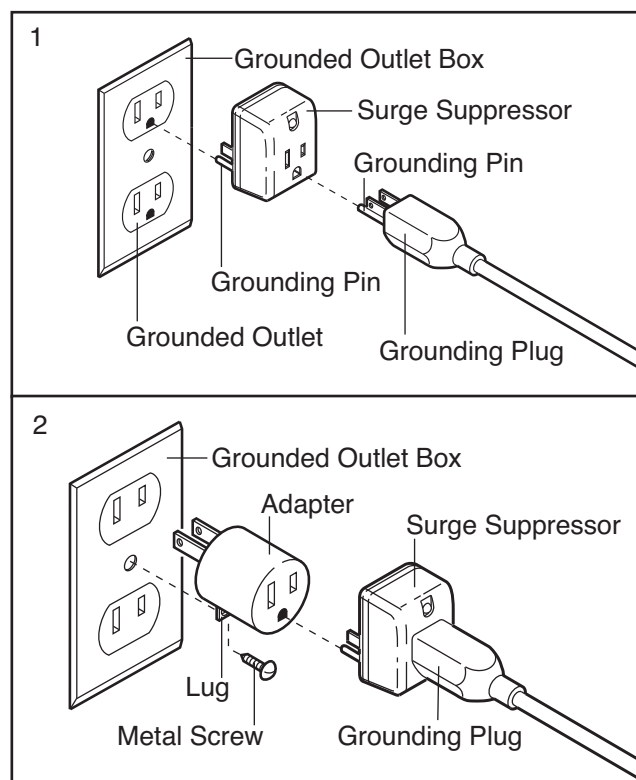
Your treadmill, like any other type of sophisticated electronic equipment, can be seriously damaged by sudden voltage changes in your home's power. Voltage surges, spikes, and noise interference can result from weather conditions or from other appliances being turned on or off. **To decrease the possibility of your treadmill being damaged, always use a surge suppressor with your treadmill (see drawing 1 at the right). To purchase a surge suppressor call the telephone number on the front cover of this manual.**

Use only a single-outlet surge suppressor that is UL 1449 listed as a transient voltage surge suppressor (TVSS). The surge suppressor must have a UL suppressed voltage rating of 400 volts or less and a minimum surge dissipation of 450 joules. The surge suppressor must be electrically rated for 120 volts AC and 15 amps. There must be a monitoring light on the surge suppressor to indicate whether it is functioning properly. Failure to use a properly functioning surge suppressor could result in damage to the control system of the treadmill. If the control system is damaged, the walking belt may slow, accelerate, or stop unexpectedly, which may result in a fall and serious injury.

This product must be grounded. If it should malfunction or break down, grounding provides a path of least resistance for electric current to reduce the risk of electric shock. This product is equipped with a cord having

an equipment-grounding conductor and a grounding plug. **Plug the power cord into a surge suppressor, and plug the surge suppressor into an appropriate outlet that is properly installed and grounded in accordance with all local codes and ordinances. IMPORTANT: The treadmill is not compatible with GFCI-equipped outlets.**

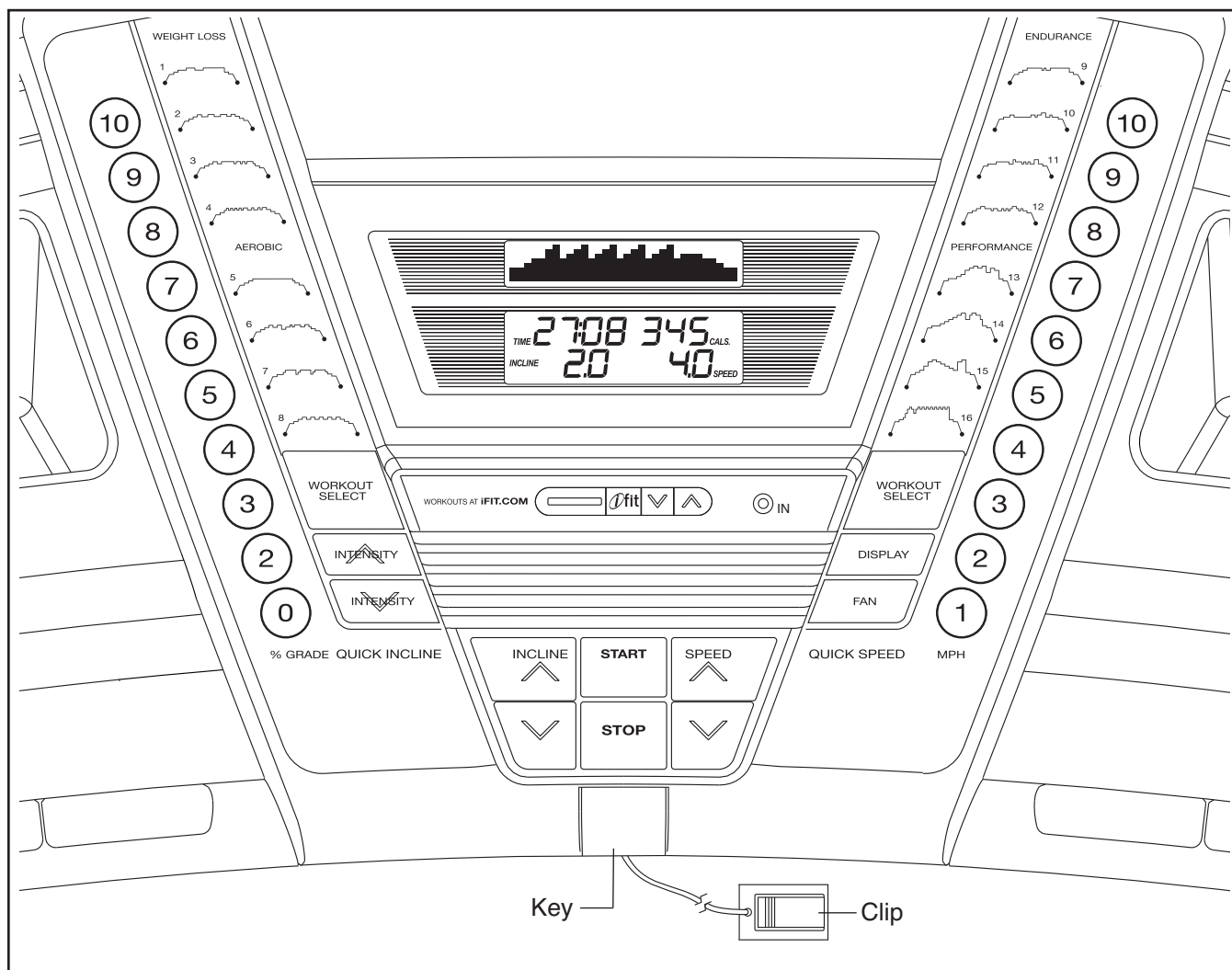
This product is for use on a nominal 120-volt circuit, and has a grounding plug that looks like the plug illustrated in drawing 1 below. A temporary adapter that looks like the adapter illustrated in drawing 2 may be used to connect the surge suppressor to a 2-pole receptacle as shown in drawing 2 if a properly grounded outlet is not available.



The temporary adapter should be used only until a properly grounded outlet (drawing 1) can be installed by a qualified electrician.

The green-colored rigid ear, lug, or the like extending from the adapter must be connected to a permanent ground such as a properly grounded outlet box cover. Whenever the adapter is used it must be held in place by a metal screw. **Some 2-pole receptacle outlet box covers are not grounded. Contact a qualified electrician to determine if the outlet box cover is grounded before using an adapter.**

CONSOLE DIAGRAM



FEATURES OF THE CONSOLE

The treadmill console offers a selection of features designed to make your workouts more effective. When the manual mode of the console is selected, the speed and incline of the treadmill can be changed with the touch of a button. As you exercise, the console will display continuous exercise feedback. You can even measure your heart rate using the built-in pulse sensor or the optional chest pulse sensor (see page 19).

The console features sixteen preset workouts—four weight loss workouts, four aerobic workouts, four endurance workouts, and four performance workouts. Each workout automatically controls the speed and incline of the treadmill as it guides you through an effective exercise session.

The console also features the new iFit interactive workout system. The iFit system enables the console to accept iFit interactive workout cards containing workouts

designed to help you achieve specific fitness goals. For example, lose unwanted pounds with the 8-week Weight Loss workout, or train for a long-distance run with the Marathon workout. iFit workouts automatically control the treadmill while the voice of a personal trainer coaches you and through every step of your workout. iFit cards are available separately. **To purchase iFit cards at any time, go to www.iFit.com or call the telephone number on the front cover of this manual. iFit cards are also available at select stores.**

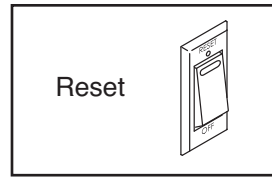
Whether you select the manual mode or a workout, you can listen to your favorite workout music or audio books with the console's premium stereo sound system.

To turn on the power, see page 15. To use the manual mode, see page 15. To use a preset workout, see page 17. To use an iFit workout, see page 18. To use the stereo sound system, see page 18. To use the information mode, see page 19.

HOW TO TURN ON THE POWER

IMPORTANT: If the treadmill has been exposed to cold temperatures, allow it to warm to room temperature before turning on the power. If you do not do this, you may damage the console displays or other electrical components.

Plug in the power cord (see page 13). Next, locate the reset/off circuit breaker on the treadmill frame near the power cord. Switch the circuit breaker to the reset position.



IMPORTANT: The console features a display demo mode, designed to be used if the treadmill is displayed in a store. If the displays light as soon as you plug in the power cord and switch the reset/off circuit breaker to the reset position, the demo mode is turned on. To turn off the demo mode, hold down the Stop button for a few seconds. If the displays remain lit, see THE INFORMATION MODE on page 19 to turn off the demo mode.

Next, stand on the foot rails of the treadmill. Find the clip attached to the key (see the drawing on page 14) and slide the clip onto the waistband of your clothes. Then, insert the key into the console. After a moment, the displays will light. **IMPORTANT:** In an emergency situation, the key can be pulled from the console, causing the walking belt to slow to a stop. Test the clip by carefully taking a few steps backward; if the key is not pulled from the console, adjust the position of the clip.

IMPORTANT: If there are sheets of clear plastic on the console, remove the plastic. To prevent damage to the walking platform, wear clean athletic shoes while using the treadmill. The first time you use the treadmill, observe the alignment of the walking belt, and center the walking belt if necessary (see page 24).

Note: The console can display speed and distance in either miles or kilometers. To find out which unit of measurement is selected or to change the unit of measurement, see THE INFORMATION MODE on page 19. Note: For simplicity, all instructions in this section refer to miles.

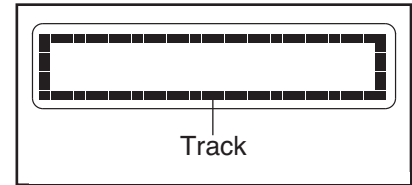
HOW TO USE THE MANUAL MODE

1. Insert the key into the console.

See HOW TO TURN ON THE POWER at the left.

2. Select the manual mode.

When the key is inserted, the manual mode will be selected. If you have selected a work-



out, press any of the workout buttons repeatedly until a track appears in the display.

3. Start the walking belt.

To start the walking belt, press the Start button, the Speed increase button, or one of the numbered Quick Speed buttons.

If you press the Start button or the Speed increase button, the walking belt will begin to move at 1 mph. As you exercise, change the speed of the walking belt as desired by pressing the Speed increase and decrease buttons. Each time you press a button, the speed setting will change by 0.1 mph; if you hold down a button, the speed setting will change in increments of 0.5 mph.

If you press one of the numbered Quick Speed buttons, the walking belt will gradually change speed until it reaches the selected speed setting.

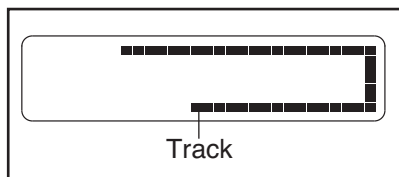
To stop the walking belt, press the Stop button. The time will begin to flash in the display. To restart the walking belt, press the Start button, the Speed increase button, or one of the numbered Quick Speed buttons.

4. Change the incline of the treadmill as desired.

To change the incline of the treadmill, press the Incline increase and decrease buttons or one of the numbered Quick Incline buttons. Each time you press the Incline increase or decrease button, the incline will change by 0.5%. If you press one of the numbered Quick Incline buttons, the treadmill will adjust to the selected incline setting. **Note:** After you press the buttons, it may take a moment for the treadmill to reach the selected incline setting.

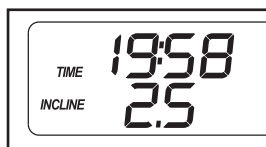
5. Follow your progress with the displays.

When the manual mode is selected, the upper display will show a track



that represents 1/4 mile (402 meters). As you walk or run, indicators will appear in succession around the track until the entire track appears. The track will then disappear and the indicators will again begin to appear in succession.

The left side of the lower display will show the elapsed time, the distance that you have walked or run, and the incline level of the treadmill. Press the Display button to view the time or the distance. **Note:** When a preset workout is selected, the display will show the time remaining in the workout instead of the elapsed time.



The right side of the lower display will show the approximate number of calories you have burned, the speed of the walking belt, and your pace in minutes per mile. Press the Display button to view the speed or the pace. The right side of the display will also show your heart rate when you use the handgrip pulse sensor or the optional chest pulse sensor.



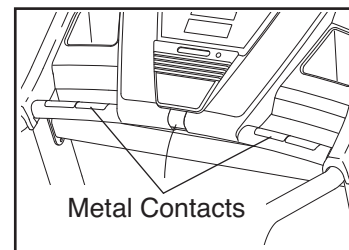
To reset the display, press the Stop button, remove the key, and then reinsert the key.

6. Measure your heart rate if desired.

Note: If you use the handgrip pulse sensor and the optional chest pulse sensor at the same

time, the console will not display your heart rate accurately. For information on the optional chest pulse sensor, see page 19.

Before using the handgrip pulse sensor, remove the sheets of clear plastic from the metal contacts. In addition, make sure that your hands are clean.



To measure your heart rate, **stand on the foot rails** and place your hands on the metal contacts—**avoid moving your hands**. When your pulse is detected, the heart symbol in the display will begin to flash each time your heart beats, one or two dashes will appear, and then your heart rate will be shown. **For the most accurate heart rate reading, continue to hold the contacts for at least 15 seconds.**

7. Turn on the fan if desired.

The fan features high, low, and auto speed settings. Press the Fan button repeatedly to select a fan speed or to turn off the fan. When the auto mode is selected, the speed of the fan will automatically increase and decrease as the speed of the walking belt increases and decreases. **Note:** If the fan is on when the walking belt is stopped, the fan will turn off automatically after a few minutes. The auto mode can only be selected while the walking belt is moving.

8. When you are finished exercising, remove the key from the console.

Step onto the foot rails, press the Stop button, and **adjust the incline of the treadmill to the lowest setting. The incline must be at the lowest setting or you may damage the treadmill when you fold it to the storage position.** Next, remove the key from the console and put it in a secure place.

When you are finished using the treadmill, switch the reset/off circuit breaker to the "off" position and unplug the power cord. **IMPORTANT: If you do not do this, the treadmill's electrical components may wear prematurely.**

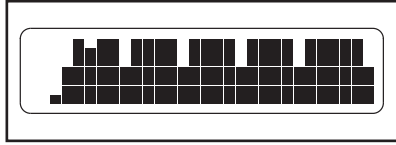
HOW TO USE A PRESET WORKOUT

1. Insert the key into the console.

See HOW TO TURN ON THE POWER on page 15.

2. Select one of the preset workouts.

To select one of the sixteen preset workouts, press the Workout Select button repeatedly until the desired workout appears in the upper display.



As each preset workout is selected, the maximum speed setting and the maximum incline setting of the workout will flash in the lower display for a few seconds. In addition, the duration of the workout will appear in the display and a profile of the speed settings of the workout will scroll across the upper display.

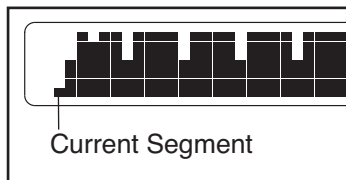


3. Start the walking belt.

Press the Start button or the Speed increase button to start the workout. A moment after you press the button, the treadmill will automatically adjust to the first speed and incline settings for the workout. Hold the handrails and begin walking.

Each workout is divided into one-minute segments. One speed setting and one incline setting are programmed for each segment. Note: The same speed setting and/or incline setting may be programmed for consecutive segments.

During the workout, the profile will show your progress. The flashing segment of the profile rep-



resents the current segment of the workout. The height of the flashing segment indicates the speed setting for the current segment. At the end of each segment, a series of tones will sound. If a different speed and/or incline setting is programmed for the next segment of the workout, the new speed and/or incline setting will flash in the display to alert you. The treadmill will then automatically adjust to the speed and/or incline setting for the next segment.

The workout will continue in this way until the last segment of the profile flashes in the display and the last segment ends. The walking belt will then slow to a stop.

If the speed or incline setting for the current segment is too high or too low, you can manually override the setting by pressing the speed or incline buttons; **however, when the current segment of the workout ends, the treadmill will automatically adjust to the Speed and Incline settings for the next segment.**

To change the intensity level of the entire program, press the Intensity increase and decrease buttons.

To stop the workout at any time, press the Stop button. To restart the workout, press the Start button or the Speed increase button. The walking belt will begin to move at 1 mph. When the next segment of the workout begins, the treadmill will automatically adjust to the speed and incline settings for that segment.

4. Follow your progress with the displays.

See step 5 on page 16.

5. Measure your heart rate if desired.

See step 6 on page 16.

6. Turn on the fan if desired.

See step 7 on page 16.

7. When you are finished exercising, remove the key from the console.

See step 8 on page 16.

HOW TO USE AN IFIT WORKOUT

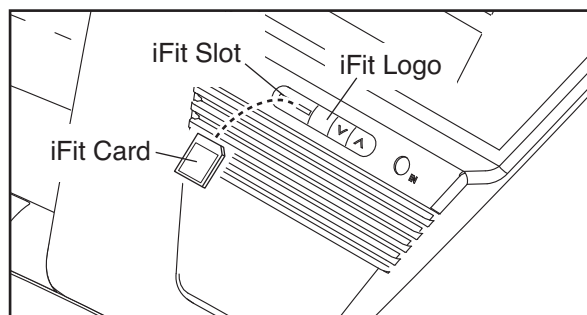
To purchase iFit cards at any time, go to www.iFit.com or call the telephone number on the front cover of this manual. iFit cards are also available at select stores.

1. Insert the key into the console.

See HOW TO TURN ON THE POWER on page 15.

2. Insert an iFit card and select a workout.

To use an iFit workout, insert an iFit card into the iFit slot; make sure that the iFit card is oriented so the metal contacts are face-down and are inserted into the iFit slot. When the iFit card is properly inserted, the iFit logo will light.



Next, select an iFit workout by pressing the iFit increase and decrease buttons next to the iFit slot. When an iFit workout is selected, the maximum speed setting and the maximum incline setting of the workout will flash in the lower display for a few seconds. In addition, the duration of the workout will appear in the display and a profile of the speed settings of the workout will scroll across the upper display.

Each iFit workout is divided into several one-minute segments. One speed setting and one incline setting are programmed for each segment. Note: The same speed and/or incline setting may be programmed for consecutive segments.

3. Start the walking belt.

Press the Start button or the Speed increase button to start the workout. A moment after you press the button, the treadmill will automatically adjust to the first speed and incline settings of the workout. Hold the handrails and begin walking.

During the workout, a personal trainer will guide you through the workout. You can select an audio setting for your personal trainer (see THE INFORMATION MODE on page 19).

If the speed or incline setting for the current segment is too high or too low, you can manually override the setting by pressing the Speed or Incline buttons; **however, when the next segment begins, the treadmill will automatically adjust to the speed and incline settings for the next segment.**

To stop the workout at any time, press the Stop button. To restart the workout, press the Start button or the Speed increase button. The walking belt will begin to move. When the next segment of the workout begins, the treadmill will automatically adjust to the speed and incline settings for the next segment.

4. Follow your progress with the displays.

See step 5 on page 16.

5. Turn on the fan if desired.

See step 7 on page 16.

6. When you are finished exercising, remove the key from the console.

See step 8 on page 16.

CAUTION: Always remove iFit cards from the iFit slot when you are not using them.

HOW TO USE THE STEREO SOUND SYSTEM

To play music or audio books through the console's stereo speakers, you must connect your MP3 player, CD player, or other personal audio player to the console through the audio jack.

To use the audio jack, locate the audio wire and plug it into the audio jack. Then, plug the audio wire into a jack on your MP3 player, CD player, or other personal audio player. **Make sure that the audio wire is fully inserted.**

Next, press the Play button on your MP3 player, CD player, or other personal audio player. Adjust the volume on your personal audio player.

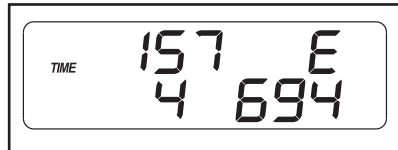
If you are using a personal CD player and the CD skips, set the CD player on the floor or another flat surface instead of on the console.

THE INFORMATION MODE

The console features an information mode that keeps track of treadmill usage information. The information mode also allows you to select miles or kilometers as the unit of measurement and to turn on and turn off the demo mode.

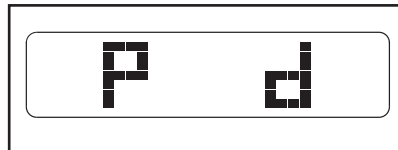
To select the information mode, hold down the Stop button, insert the key into the console, and then release the Stop button. When the information mode is selected, the following information will appear in the display:

The upper left corner of the lower display will show the number of hours that the treadmill has



been operated. The lower right corner of the display will show the total number of miles or kilometers that the walking belt has moved. In addition, an "E" for English miles or an "M" for metric kilometers will appear in the upper right corner of the display. To change the unit of measurement, press the Speed increase button. The lower left corner of the display will show the volume level. To change the volume level, press the Incline increase button.

The console features a display demo mode, designed to be used if the treadmill is displayed



in a store. While the demo mode is turned on, the console will function normally when you plug in the power cord, switch the reset/off circuit breaker to the reset position, and insert the key into the console. However, when you remove the key, the displays will remain lit, although the buttons will not function. If the demo mode is turned on, a "d" will appear in the upper display while the information mode is selected. To turn on or turn off the demo mode, press the Speed decrease button.

You can select an audio setting if desired. When you use an iFit card, a personal trainer will guide you through your workouts. If a "P" appears in the upper display, the personal trainer will give you detailed instructions. If no "P" appears, your personal trainer will

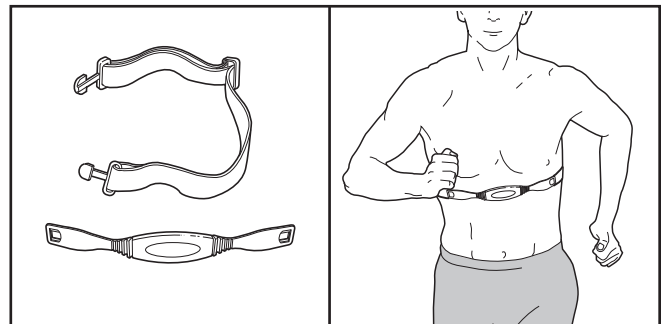
simply guide you through your iFit workouts. To change the audio setting, press the Incline decrease button.

To exit the information mode, remove the key from the console.

THE OPTIONAL CHEST PULSE SENSOR

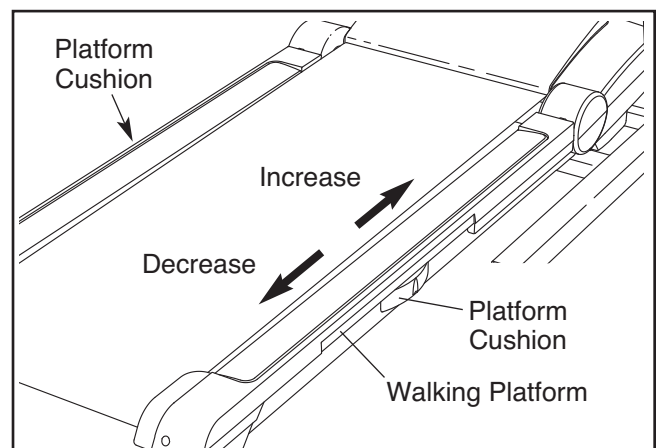
An optional chest pulse sensor offers hands-free operation as it tracks your heart rate during your workouts.

To purchase the optional chest pulse sensor, call the telephone number on the front cover of this manual.



HOW TO ADJUST THE CUSHIONING SYSTEM

Remove the key from the console and unplug the power cord. The treadmill features a cushioning system that reduces the impact as you walk or run on the treadmill. To increase the firmness of the walking platform, step off the treadmill and slide the platform cushions toward the front of the treadmill. To decrease the firmness, step off the treadmill and slide the platform cushions toward the back of the treadmill. **Note: Make sure that both cushions are set at the same firmness level. The faster you run on the treadmill, or the more you weigh, the firmer the walking platform should be.**



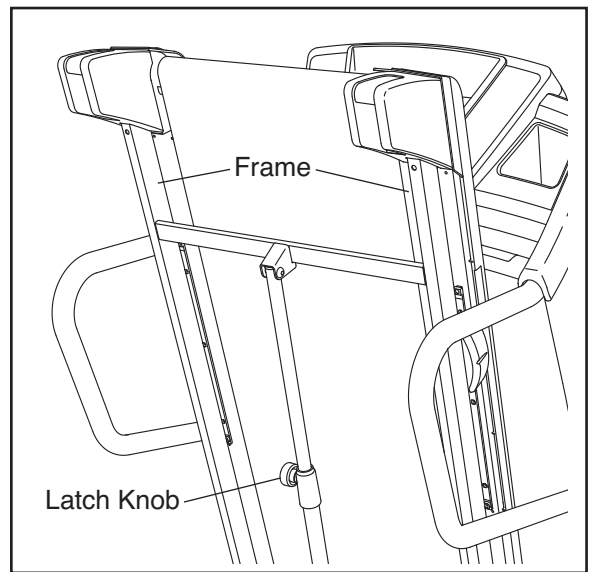
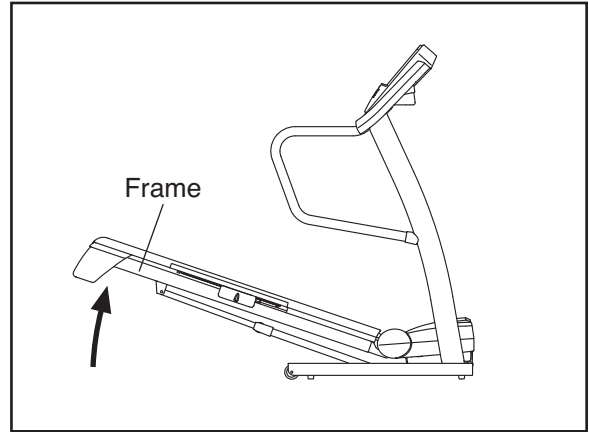
HOW TO FOLD AND MOVE THE TREADMILL

HOW TO FOLD THE TREADMILL FOR STORAGE

Before folding the treadmill, adjust the incline to the lowest position. If you do not do this, you may damage the treadmill when you fold it. Remove the key and unplug the power cord. **CAUTION:** You must be able to safely lift 45 lbs. (20 kg) to raise, lower, or move the treadmill.

1. Hold the metal frame firmly in the location shown by the arrow at the right. **CAUTION:** To decrease the possibility of injury, do not lift the frame by the plastic foot rails. Make sure to bend your legs and keep your back straight as you raise the frame. Raise the frame about halfway to the vertical position.
2. Raise the frame until the latch knob locks into the storage position. **Make sure that the latch knob is locked in the storage position.**

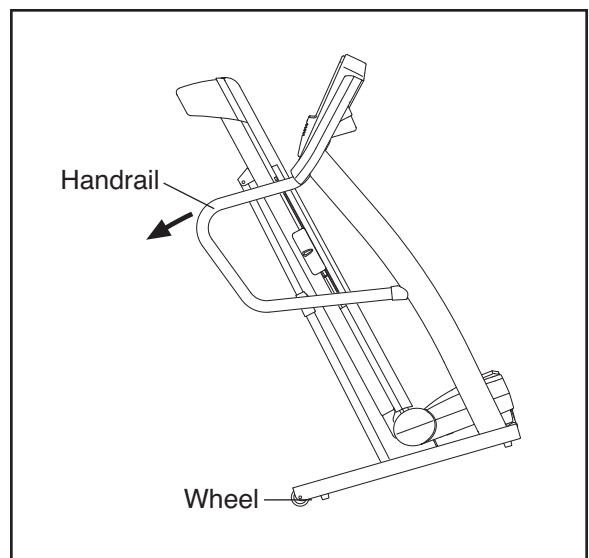
To protect the floor or carpet from damage, place a mat under the treadmill. Keep the treadmill out of direct sunlight. Do not leave the treadmill in the storage position in temperatures above 85° F (30° C).



HOW TO MOVE THE TREADMILL

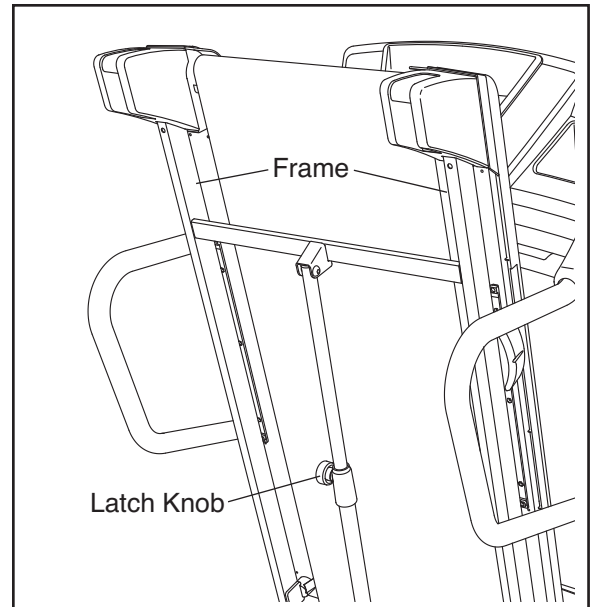
Before moving the treadmill, convert the treadmill to the storage position as described above. **Make sure that the latch knob is locked in the storage position.**

1. Hold a handrail and place one foot against one of the wheels.
2. Tip the treadmill back until it rolls freely on the wheels. Carefully move the treadmill to the desired location. **Never move the treadmill without tipping it back. To reduce the risk of injury, use extreme caution while moving the treadmill. Do not attempt to move the treadmill over an uneven surface.**
3. Place one foot against a wheel, and carefully lower the treadmill until it is resting in the storage position.

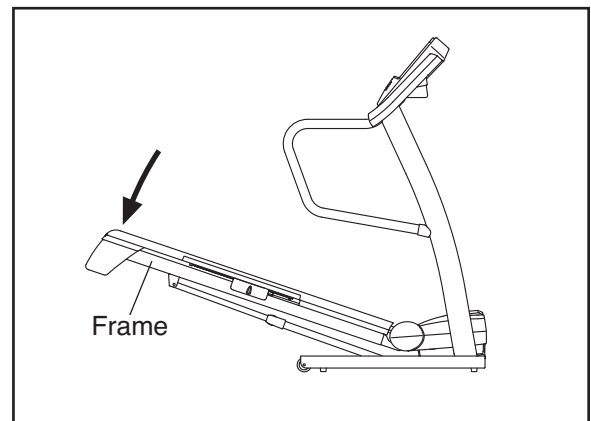


HOW TO LOWER THE TREADMILL FOR USE

1. Hold the upper end of the treadmill with your right hand. Pull the latch knob to the left and hold it. It may be necessary to push the frame forward as you pull the knob to the left. Pivot the frame downward and release the latch knob.



2. Hold the metal frame firmly with both hands and lower it to the floor. **CAUTION: Do not grip only the plastic foot rails or drop the frame to the floor. Bend your legs and keep your back straight.**



TROUBLESHOOTING

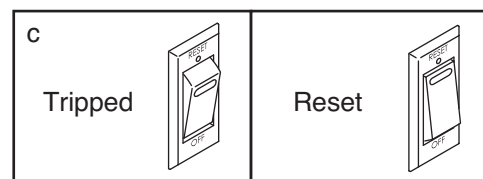
Most treadmill problems can be solved by following the steps below. Find the symptom that applies, and follow the steps listed. If further assistance is needed, please see the front cover of this manual.

PROBLEM: The power does not turn on

SOLUTION: a. Make sure that the power cord is plugged into a surge suppressor, and that the surge suppressor is plugged into a properly grounded outlet (see page 13). Use only a single-outlet surge suppressor that meets all of the specifications described on page 13. **IMPORTANT: The treadmill is not compatible with GFCI-equipped outlets.**

b. After the power cord has been plugged in, make sure that the key is inserted into the console.

c. Check the reset/off circuit breaker located on the treadmill frame near the power cord. If the switch protrudes as shown, the circuit breaker has tripped. To reset the circuit breaker, wait for five minutes and then press the switch back in.



PROBLEM: The power turns off during use

SOLUTION: a. Check the reset/off circuit breaker (see the drawing above). If the circuit breaker has tripped, wait for five minutes and then press the switch back in.

b. Make sure that the power cord is plugged in. If the power cord is plugged in, unplug it, wait for five minutes, and then plug it back in.

c. Remove the key from the console. Reinsert the key into the console.

d. If the treadmill still will not run, please see the front cover of this manual.

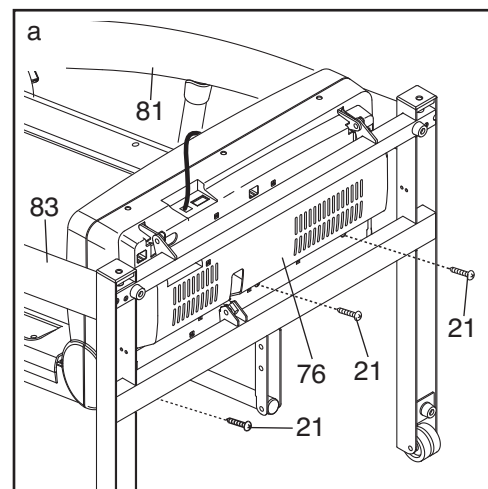
PROBLEM: The console displays remain lit when you remove the key from the console

SOLUTION: a. The console features a display demo mode, designed to be used if the treadmill is displayed in a store. If the displays remain lit when you remove the key, the demo mode is turned on. To turn off the demo mode, hold down the Stop button for a few seconds. If the displays are still lit, see THE INFORMATION MODE on page 19 to turn off the demo mode.

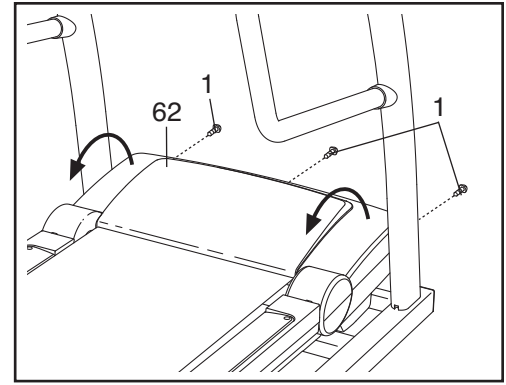
PROBLEM: The displays of the console do not function properly

SOLUTION: a. Remove the key from the console and **UNPLUG THE POWER CORD**. With the help of a second person, carefully tip the Uprights (81, 83) down. There may be three #8 x 2" Screws (21) in the bottom of the Belly Pan (76). If there are, remove them. Note: A Phillips screwdriver with a shaft at least 5 in. (13 cm) long is required.

Then, raise the Uprights (81, 83).

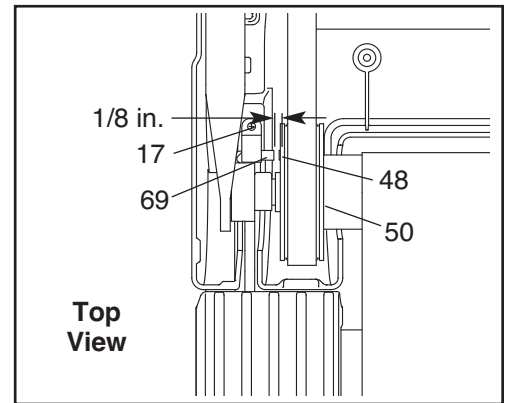


Remove the three #8 x 3/4" Screws (1) and carefully pivot the Motor Hood (62) off.



Locate the Reed Switch (69) and the Magnet (48) on the left side of the Pulley (50). Turn the Pulley until the Magnet is aligned with the Reed Switch. **Make sure that the gap between the Magnet and the Reed Switch is about 1/8 in. (3 mm).** If necessary, loosen the #8 x 3/4" Clamp Screw (17), move the Reed Switch slightly, and then retighten the Screw.

Reattach the Hood (not shown). Reattach the #8 x 2" Screws (not shown) if necessary. Run the treadmill for a few minutes to check for a correct speed reading.



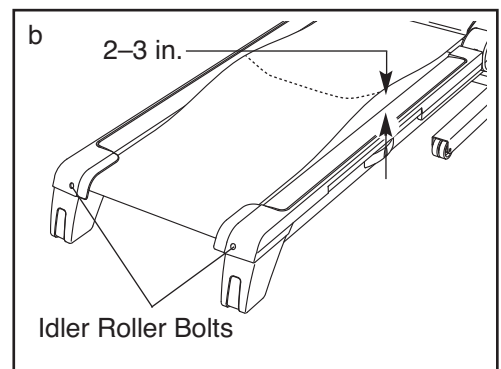
PROBLEM: The incline of the treadmill does not change correctly

SOLUTION: a. With the key in the console, press one of the Incline buttons. **While the incline is changing, remove the key.** After a few seconds, re-insert the key. The treadmill will automatically rise to the maximum incline level and then return to the minimum level. This will recalibrate the incline system.

PROBLEM: The walking belt slows when walked on

SOLUTION: a. Use only a single-outlet surge suppressor that meets all of the specifications described on page 13.

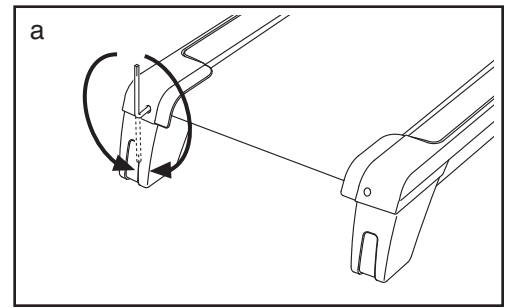
b. If the walking belt is overtightened, treadmill performance may decrease and the walking belt may become damaged. Remove the key and **UNPLUG THE POWER CORD.** Using the hex key, turn both idler roller bolts counterclockwise, 1/4 of a turn. When the walking belt is properly tightened, you should be able to lift each edge of the walking belt 2 to 3 in. (5 to 7 cm) off the walking platform. Be careful to keep the walking belt centered. Then, plug in the power cord, insert the key, and run the treadmill for a few minutes. Repeat until the walking belt is properly tightened.



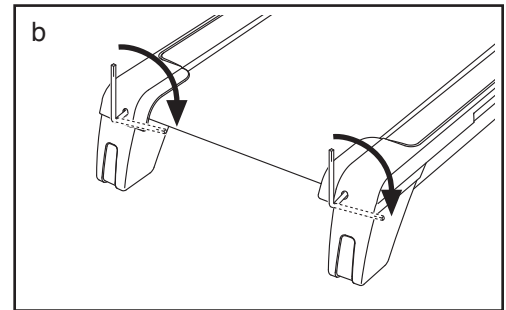
c. If the walking belt still slows when walked on, see the front cover of this manual.

PROBLEM: The walking belt is off-center or slips when walked on

SOLUTION: a. **If the walking belt is off-center**, first remove the key and **UNPLUG THE POWER CORD**. **If the walking belt has shifted to the left**, use the hex key to turn the left idler roller bolt clockwise 1/2 of a turn; **if the walking belt has shifted to the right**, turn the bolt counterclockwise 1/2 of a turn. Be careful not to overtighten the walking belt. Then, plug in the power cord, insert the key, and run the treadmill for a few minutes. Repeat until the walking belt is centered.



b. **If the walking belt slips when walked on**, first remove the key and **UNPLUG THE POWER CORD**. Using the hex key, turn both idler roller bolts clockwise, 1/4 of a turn. When the walking belt is correctly tightened, you should be able to lift each edge of the walking belt 2 to 3 in. (5 to 7 cm) off the walking platform. Be careful to keep the walking belt centered. Then, plug in the power cord, insert the key, and carefully walk on the treadmill for a few minutes. Repeat until the walking belt is properly tightened.



EXERCISE GUIDELINES

⚠️ WARNING: Before beginning this or any exercise program, consult your physician. This is especially important for persons over age 35 or persons with pre-existing health problems.

The pulse sensor is not a medical device. Various factors may affect the accuracy of heart rate readings. The pulse sensor is intended only as an exercise aid in determining heart rate trends in general.

These guidelines will help you to plan your exercise program. For detailed exercise information, obtain a reputable book or consult your physician. Remember, proper nutrition and adequate rest are essential for successful results.

EXERCISE INTENSITY

Whether your goal is to burn fat or to strengthen your cardiovascular system, exercising at the proper intensity is the key to achieving results. You can use your heart rate as a guide to find the proper intensity level. The chart below shows recommended heart rates for fat burning and aerobic exercise.

165	155	145	140	130	125	115	♥♥
145	138	130	125	118	110	103	♥
125	120	115	110	105	95	90	♥
<hr/>							
20	30	40	50	60	70	80	

To find the proper intensity level, find your age at the bottom of the chart (ages are rounded off to the nearest ten years). The three numbers listed above your age define your “training zone.” The lowest number is the heart rate for fat burning, the middle number is the heart rate for maximum fat burning, and the highest number is the heart rate for aerobic exercise.

Burning Fat—To burn fat effectively, you must exercise at a low intensity level for a sustained period of time. During the first few minutes of exercise, your body uses *carbohydrate calories* for energy. Only after the first few minutes of exercise does your body begin to use stored *fat calories* for energy. If your goal is to burn fat, adjust the intensity of your exercise until your heart rate is near the lowest number in your training zone. For maximum fat burning, exercise with your heart rate near the middle number in your training zone.

Aerobic Exercise—If your goal is to strengthen your cardiovascular system, you must perform aerobic exercise, which is activity that requires large amounts of oxygen for prolonged periods of time. For aerobic exercise, adjust the intensity of your exercise until your heart rate is near the highest number in your training zone.

WORKOUT GUIDELINES

Warming Up—Start with 5 to 10 minutes of stretching and light exercise. A warm-up increases your body temperature, heart rate, and circulation in preparation for exercise.

Training Zone Exercise—Exercise for 20 to 30 minutes with your heart rate in your training zone. (During the first few weeks of your exercise program, do not keep your heart rate in your training zone for longer than 20 minutes.) Breathe regularly and deeply as you exercise—never hold your breath.

Cooling Down—Finish with 5 to 10 minutes of stretching. Stretching increases the flexibility of your muscles and helps to prevent post-exercise problems.

EXERCISE FREQUENCY

To maintain or improve your condition, complete three workouts each week, with at least one day of rest between workouts. After a few months of regular exercise, you may complete up to five workouts each week, if desired. Remember, the key to success is to make exercise a regular and enjoyable part of your everyday life.

PART LIST—Model No. PCTL12009.0

R0110A

To locate the parts listed below, see the EXPLODED DRAWING near the end of this manual.

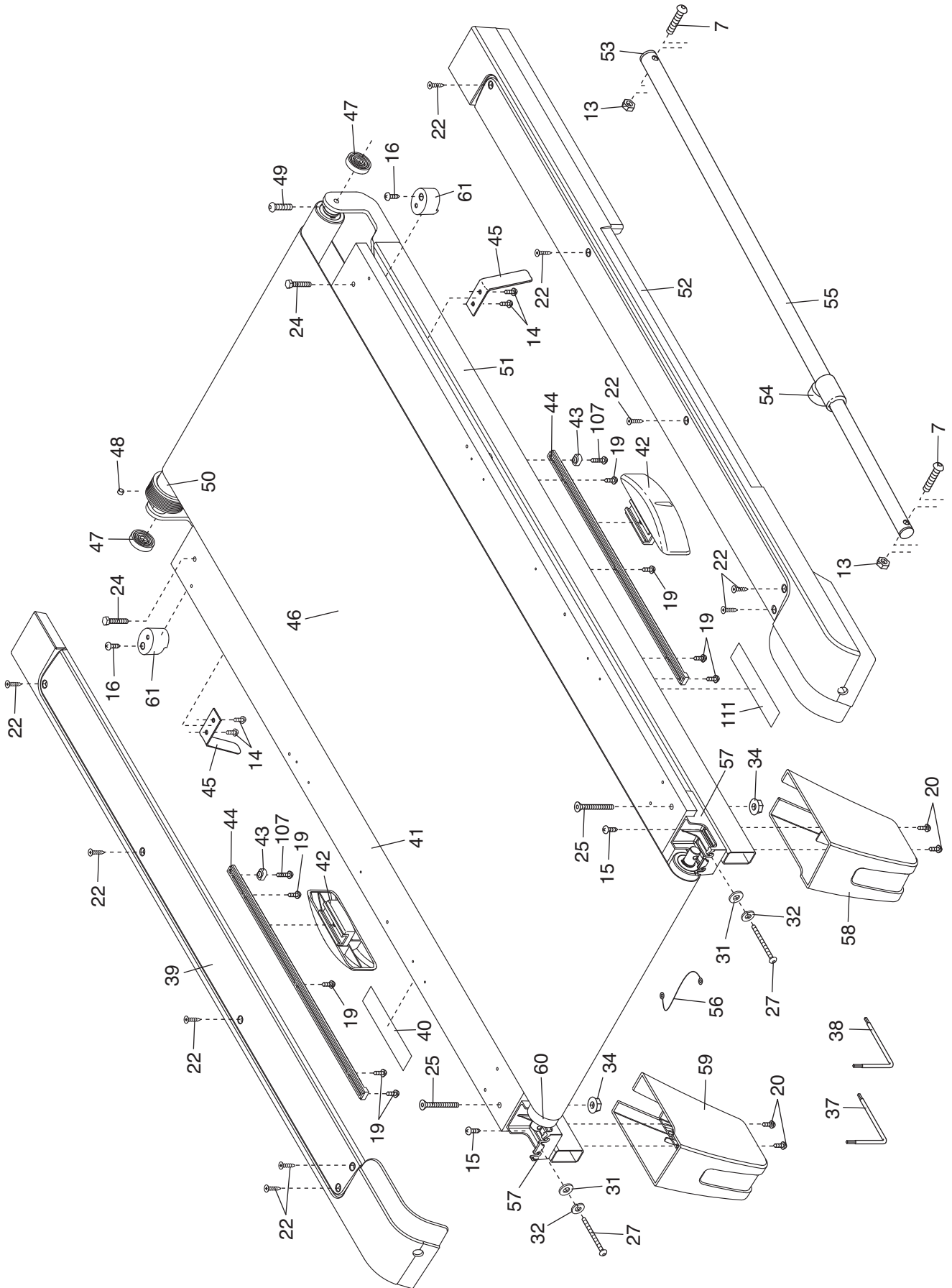
Key No.	Qty.	Description	Key No.	Qty.	Description
1	24	#8 x 3/4" Screw	51	1	Frame
2	4	#8 x 1" Tek Screw	52	1	Right Foot Rail
3	4	1/4" x 5/8" Bolt	53	1	Latch Cap
4	2	1/4" x 1 1/4" Bolt	54	1	Latch Knob
5	4	5/16" x 2 1/2" Patch Bolt	55	1	Storage Latch
6	2	3/8" x 1 1/2" Patch Bolt	56	1	Idler Roller Ground Wire
7	4	3/8" x 2" Bolt	57	2	Idler Roller Bracket
8	2	3/8" x 3 1/2" Patch Bolt	58	1	Right Rear Foot
9	2	3/8" x 2 3/4" Bolt	59	1	Left Rear Foot
10	2	1/4" Star Washer	60	1	Idler Roller
11	4	5/16" Star Washer	61	2	Front Isolator
12	4	3/8" Star Washer	62	1	Motor Hood
13	6	3/8" Nut	63	1	Hood Accent
14	4	#8 x 1/2" Belt Guide Screw	64	1	Lift Frame
15	8	#8 x 1/2" Screw	65	3	Cable Tie
16	4	#8 x 1/2" Controller Screw	66	1	Motor Belt
17	1	#8 x 3/4" Clamp Screw	67	1	Drive Motor
18	5	#8 x 3/4" Tek Screw	68	1	Lift Frame Ground Wire
19	8	#8 x 3/4" Track Screw	69	1	Reed Switch
20	4	#8 x 1 3/4" Screw	70	1	Reed Switch Clamp
21	3	#8 x 2" Screw	71	1	Controller
22	10	#12 x 1" Screw	72	1	Controller Ground Wire
23	2	Motor Bolt	73	1	Power Cord
24	2	1/4" x 1 1/4" Frame Bolt	74	1	Power Cord Grommet
25	2	5/16" x 4 1/4" Bolt	75	1	Reset/Off Circuit Breaker
26	2	3/8" x 1" Bolt	76	1	Belly Pan
27	2	Idler Roller Bolt	77	1	Left Handrail
28	2	3/8" x 3/4" Bolt	78	1	Right Handrail
29	1	3/8" x 1 1/2" Bolt	79	2	Upper Handrail Cap
30	1	3/8" x 1 3/4" Bolt	80	2	Handrail Cap
31	2	1/4" Flat Washer	81	1	Left Upright
32	2	1/4" Lock Washer	82	1	Crossbar
33	4	3/8" Jam Nut	83	1	Right Upright
34	2	5/16" Flange Nut	84	1	Wire Harness
35	3	Hood Clip	85	1	Incline Motor Spacer
36	4	U-nut	86	1	Incline Motor
37	1	Hex Key	87	4	Base Foot
38	1	5/32" Hex Key	88	2	Base Foot Spacer
39	1	Left Foot Rail	89	2	Caution Decal
40	1	Warning Decal	90	1	Base
41	1	Walking Platform	91	4	Wheel
42	2	Platform Cushion	92	4	15 1/2" Wire Tie
43	2	Cushion Stop	93	8	8" Tie
44	2	Cushion Track	94	2	Releasable Tie
45	2	Belt Guide	95	1	Latch Bracket
46	1	Walking Belt	96	1	Left Accessory Tray
47	2	Frame Spacer	97	1	Right Accessory Tray
48	1	Magnet	98	1	Console Base
49	1	1/4" x 1" Bolt	99	1	Audio Wire
50	1	Drive Roller/Pulley	100	1	Console

Key No.	Qty.	Description	Key No.	Qty.	Description
101	1	Wire Tie	108	2	Base Cap
102	1	Key/Clip	109	1	Console Ground Wire
103	2	#8 x 1 1/2" Crossbar Screw	110	1	Console Fan
104	1	Access Door	111	1	French Warning Decal
105	1	Incline Motor Wire	*	–	4" White Wire, M/F
106	1	Console Crossbar	*	–	User's Manual
107	2	#8 x 1" Screw			

Note: Specifications are subject to change without notice. For information about ordering replacement parts, see the back cover of this manual. *These parts are not illustrated.

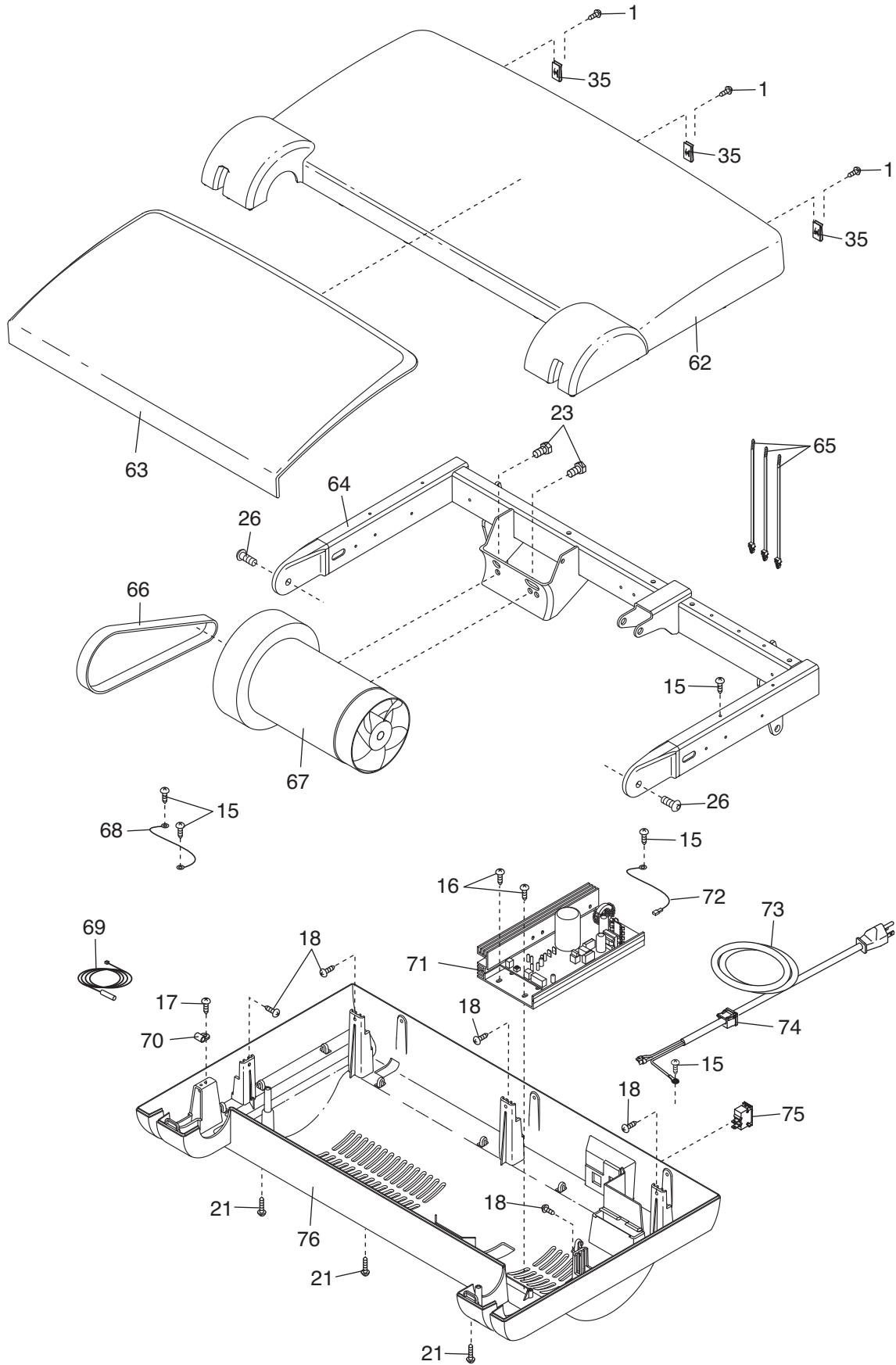
EXPLODED DRAWING A—Model No. PCTL12009.0

R0110A



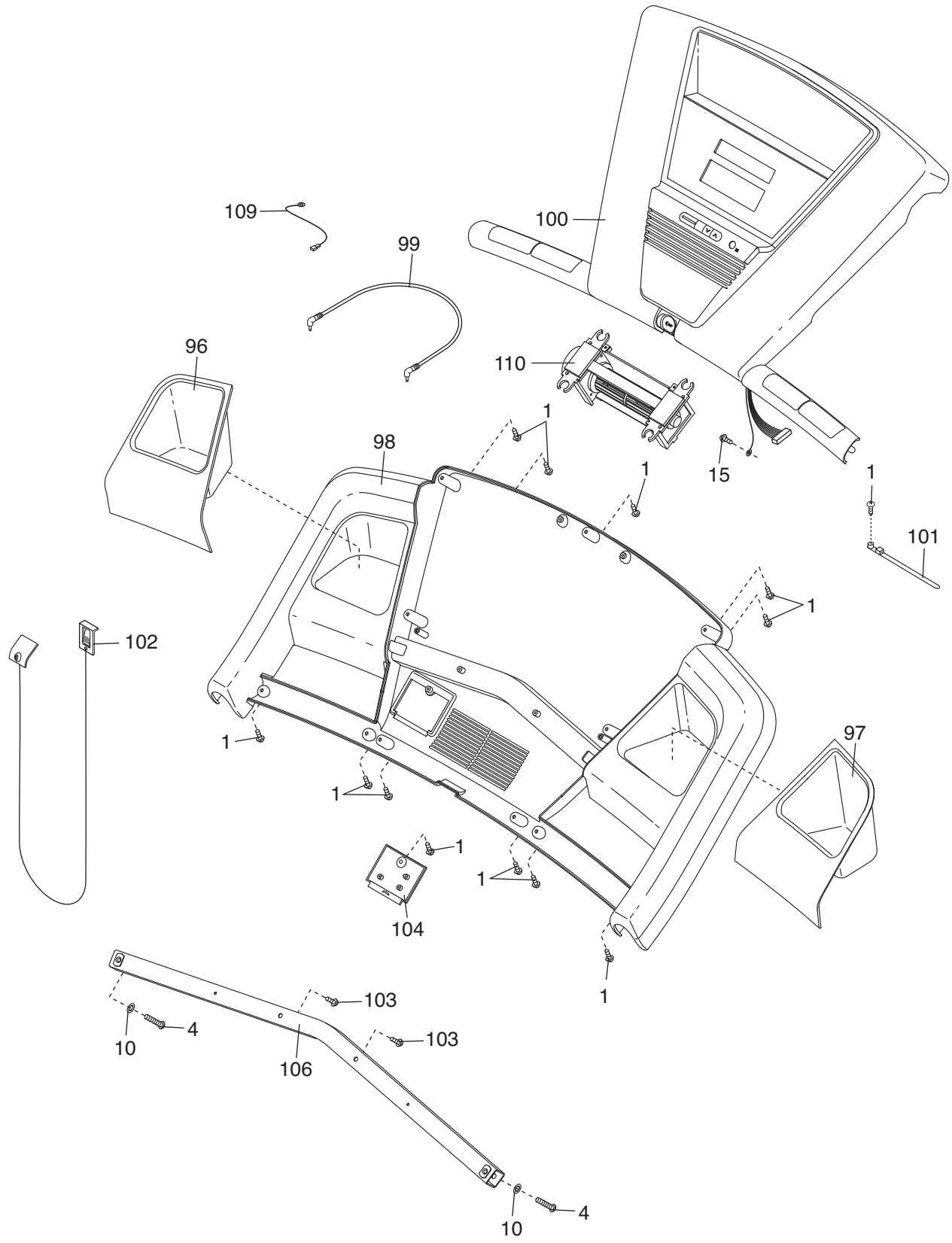
EXPLODED DRAWING B—Model No. PCTL12009.0

R0110A



EXPLODED DRAWING D—Model No. PCTL12009.0

R0110A



ORDERING REPLACEMENT PARTS

To order replacement parts, please see the front cover of this manual. To help us assist you, be prepared to provide the following information when contacting us:

- the model number and serial number of the product (see the front cover of this manual)
- the name of the product (see the front cover of this manual)
- the key number and description of the replacement part(s) (see the PART LIST and the EXPLODED DRAWING near the end of this manual)

LIMITED WARRANTY

ICON of Canada, Inc. (ICON) warrants this product to be free from defects in workmanship and material, under normal use and service conditions. The frame and drive motor are warranted for a lifetime. Parts and labor are warranted for one (1) year from the date of purchase.

This warranty extends only to the original purchaser. ICON's obligation under this warranty is limited to repairing or replacing, at ICON's option, the product through one of its authorized service centers. All repairs for which warranty claims are made must be preauthorized by ICON. This warranty does not extend to any damage to a product caused by or attributable to freight damage, abuse, misuse, improper or abnormal usage, or repairs not provided by an ICON authorized service center; products used for commercial or rental purposes; or products used as store display models. No other warranty beyond that specifically set forth above is authorized by ICON.

ICON is not responsible or liable for indirect, special, or consequential damages arising out of or in connection with the use or performance of the product; damages with respect to any economic loss, loss of property, loss of revenues or profits, loss of enjoyment or use, or costs of removal or installation; or other consequential damages of whatsoever nature. Some provinces do not allow the exclusion or limitation of incidental or consequential damages. Accordingly, the above limitation may not apply to you.

The warranty extended hereunder is in lieu of any and all other warranties, and any implied warranties of merchantability or fitness for a particular purpose are limited in their scope and duration to the terms set forth herein. Some provinces do not allow limitations on how long an implied warranty lasts. Accordingly, the above limitation may not apply to you.

This warranty gives you specific legal rights. You may also have other rights that vary from province to province.

ICON of Canada, Inc., 900 de l'Industrie, St. Jérôme, QC J7Y 4B8

Free Manuals Download Website

<http://myh66.com>

<http://usermanuals.us>

<http://www.somanuals.com>

<http://www.4manuals.cc>

<http://www.manual-lib.com>

<http://www.404manual.com>

<http://www.luxmanual.com>

<http://aubethermostatmanual.com>

Golf course search by state

<http://golfingnear.com>

Email search by domain

<http://emailbydomain.com>

Auto manuals search

<http://auto.somanuals.com>

TV manuals search

<http://tv.somanuals.com>