

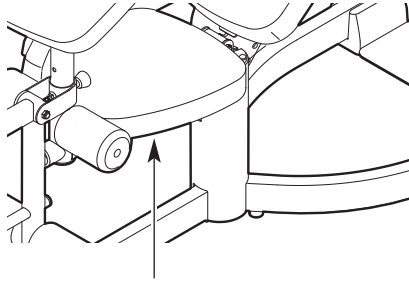
# PRO-FORM<sup>®</sup>

## FUSION 3.0 XT

Model No. PFBE3006.0

Serial No. \_\_\_\_\_

Write the serial number in the space above for reference.



Serial Number Decal (under seat)

### QUESTIONS?

As a manufacturer, we are committed to providing complete customer satisfaction. If you have questions, or if a part is damaged or missing, PLEASE CONTACT OUR CUSTOMER SERVICE DEPARTMENT DIRECTLY.

CALL TOLL-FREE:

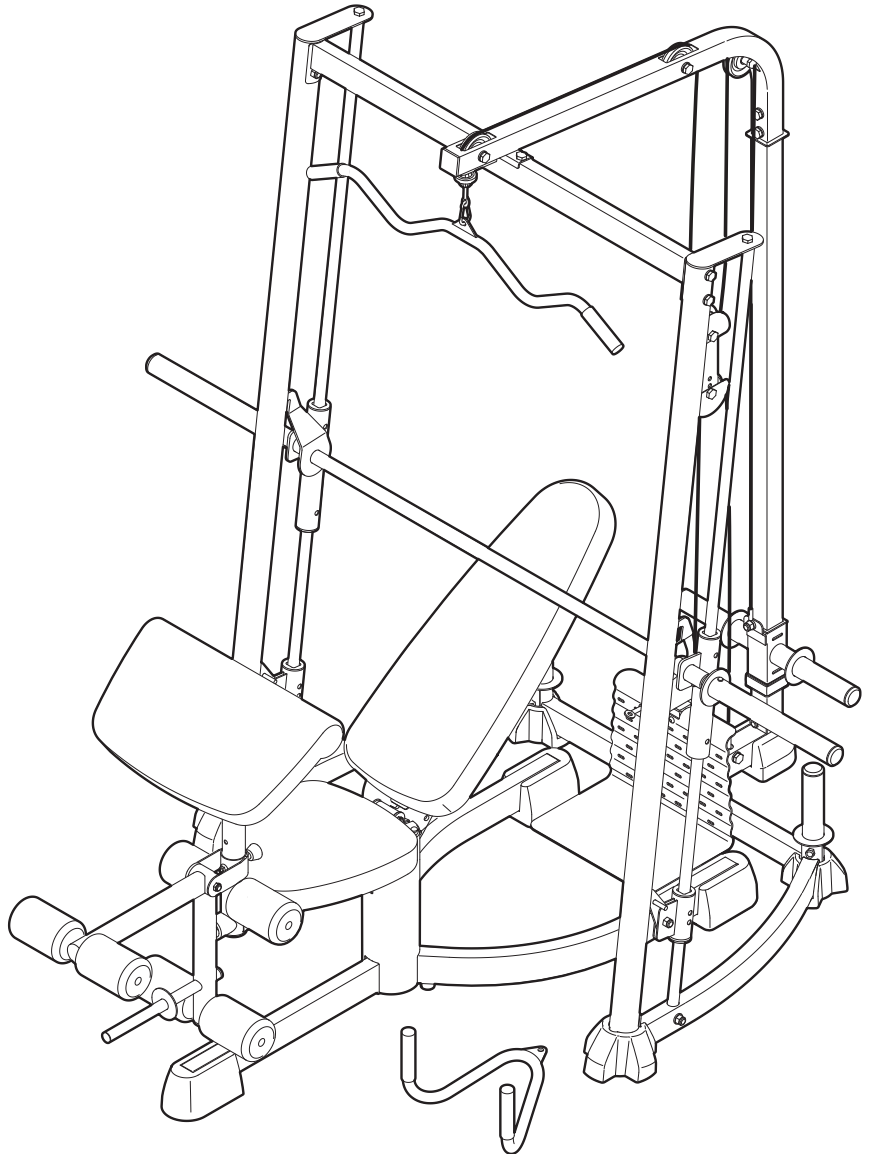
**1-888-533-1333**

Mon.–Fri., 6 a.m.–6 p.m. MST

ON THE WEB:

[www.proformservice.com](http://www.proformservice.com)

## USER'S MANUAL



### CAUTION

Read all precautions and instructions in this manual before using this equipment. Save this manual for future reference.



Visit our website at

[www.proform.com](http://www.proform.com)

new products, prizes,  
fitness tips, and much more!

# TABLE OF CONTENTS

WARNING DECAL PLACEMENT .....	2
IMPORTANT PRECAUTIONS .....	3
BEFORE YOU BEGIN .....	4
ASSEMBLY .....	5
ADJUSTMENTS .....	14
CABLE DIAGRAM .....	17
EXERCISE GUIDELINES .....	18
ORDERING REPLACEMENT PARTS .....	Back Cover
LIMITED WARRANTY .....	Back Cover

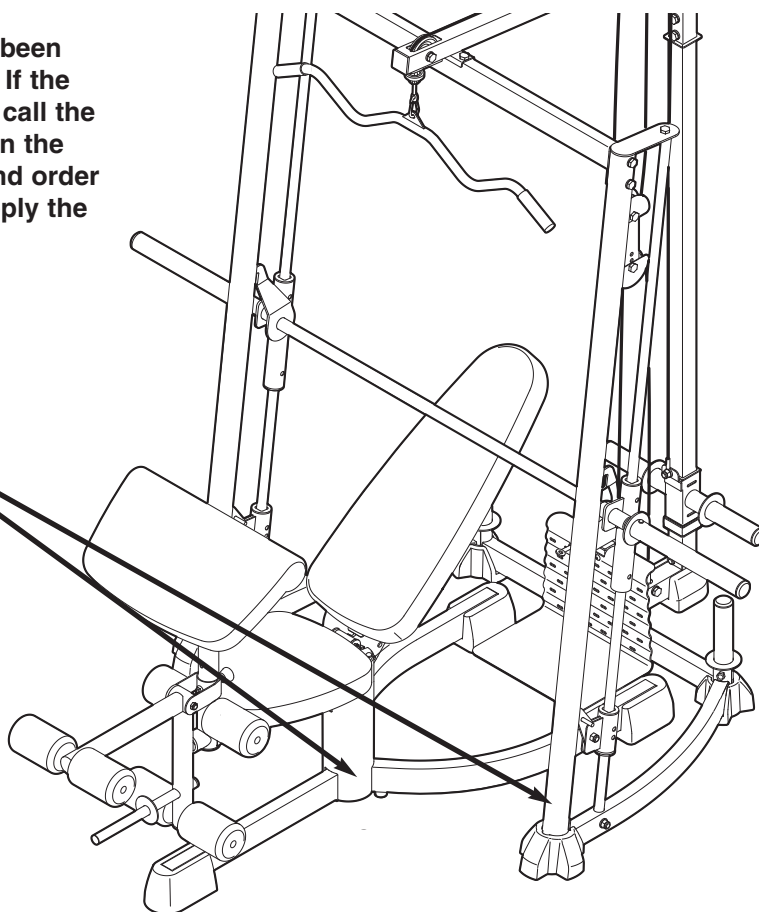
Note: A PART IDENTIFICATION CHART and a PART LIST/EXPLODED DRAWING are attached in the center of this manual. Remove the PART IDENTIFICATION CHART and PART LIST/EXPLODED DRAWING before beginning assembly.

## WARNING DECAL PLACEMENT

The decal shown below has been placed on the weight bench. If the decal is missing or illegible, call the toll-free telephone number on the front cover of this manual and order a free replacement decal. Apply the decal in the location shown.

### **▲ WARNING**

- Misuse of this machine may result in serious injury.
- Read user's manual prior to use and follow all warnings and instructions.
- Do not allow children on or around machine.
- Keep body, clothing, and hair free and clear of all moving parts.
- Replace label if damaged, illegible, or removed.



# IMPORTANT PRECAUTIONS

**⚠️ WARNING:** To reduce the risk of serious injury, read the following important precautions before using the weight bench.

1. Read all instructions in this manual and all warnings on the weight bench before using the weight bench. Use the weight bench only as described in this manual.
2. It is the responsibility of the owner to ensure that all users of the weight bench are adequately informed of all precautions.
3. The weight bench is intended for home use only. Do not use the weight bench in any commercial, rental, or institutional setting.
4. Keep the weight bench indoors, away from moisture and dust. Place the weight bench on a level surface, with a mat beneath it to protect the floor or carpet. Make sure that there is enough clearance around the weight bench to mount, dismount, and use the weight bench.
5. Inspect and properly tighten all parts regularly. Replace any worn parts immediately.
6. Keep hands and feet away from moving parts.
7. Keep children under 12 and pets away from the weight bench at all times.
8. Always wear athletic shoes for foot protection while exercising.
9. The weight bench is designed to support a maximum user weight of 300 pounds and a maximum total weight of 610 pounds. Do not place more than 310 pounds on the barbell. Do not place more than 150 pounds on the leg lever or the weight carriage. Note: The weight bench does not include weights.
10. Always make sure that the backrest knob is fully inserted into the backrest frame before exercising.
11. Make sure that the cables remain on the pulleys at all times. If the cables bind as you are exercising, stop immediately and make sure that the cables are on the pulleys. Replace the cables at least every two years.
12. Always set both barbell stops at the same height.
13. Make sure that the set screws attaching the barbell adapters are properly tightened each time the adapters are used.
14. Always place an equal amount of weight on each side of the weight carriage or the barbell.
15. Always secure weights with the weight clips when they are mounted on the weight carriage or the barbell.
16. Always lower the weight carriage in a controlled manner; never let the weight carriage drop.
17. Always remove the lat bar when performing an exercise that does not require the use of the lat bar.
18. Always move the bench out of the way when performing an exercise that does not require the bench.
19. If you feel pain or dizziness while exercising, stop immediately and cool down.

**⚠️ WARNING:** Before beginning this or any exercise program, consult your physician. This is especially important for persons over the age of 35 or persons with pre-existing health problems. Read all instructions before using. ICON assumes no responsibility for personal injury or property damage sustained by or through the use of this product.

# BEFORE YOU BEGIN

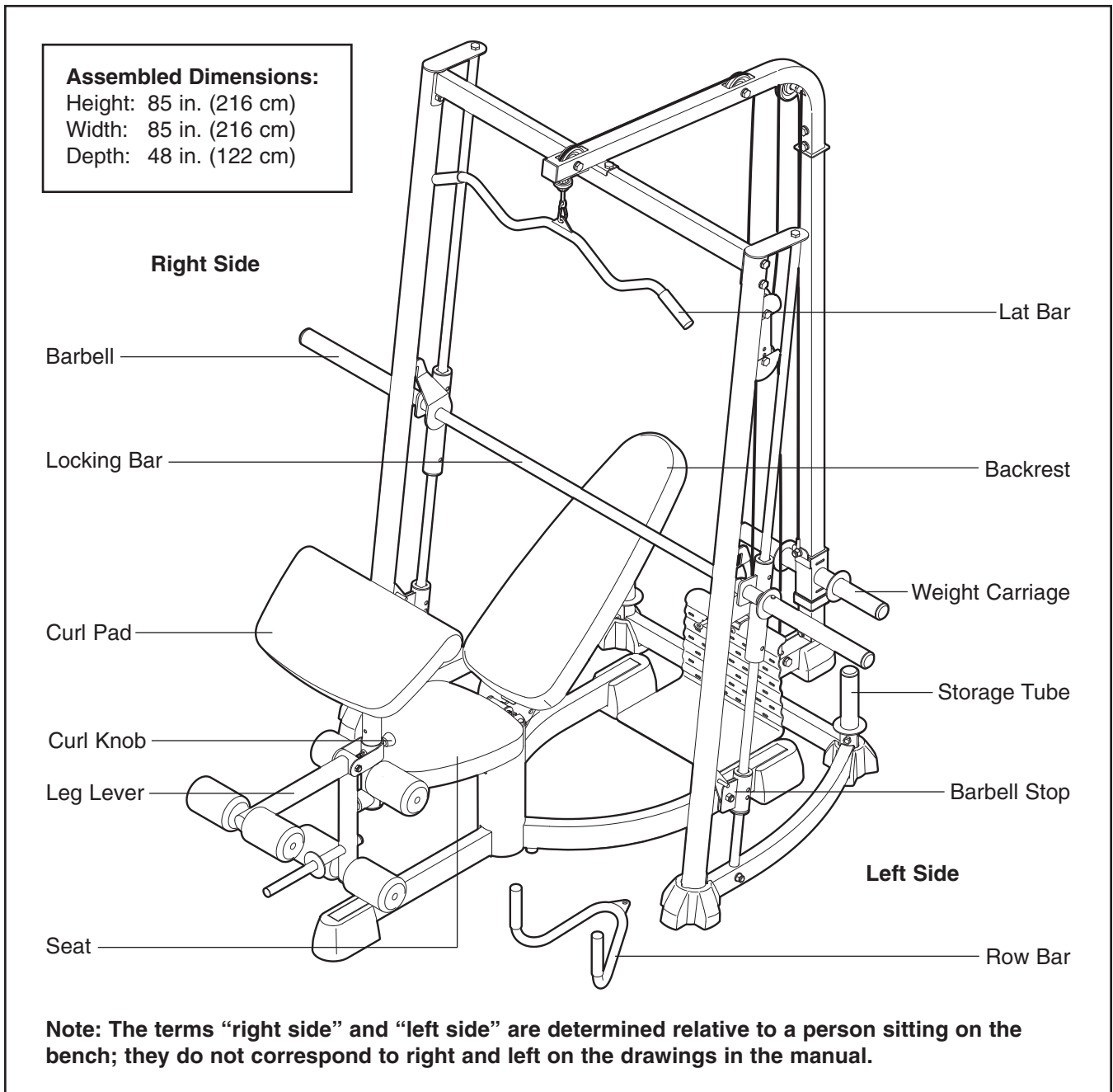
Thank you for selecting the versatile PROFORM® FUSION 3.0 XT weight bench. The FUSION 3.0 XT weight bench is designed to help develop every major muscle group of the body. Whether your goal is to tone your body, build dramatic muscle size and strength, or improve your cardiovascular system, the weight bench will help you to achieve the specific results you want.

**For your benefit, read this manual carefully before using the weight bench.** If you have questions after reading this manual, please see the front cover of this manual. To help us assist you, please note the product

model number and serial number before contacting us. The model number is PFBE3006.0. The serial number can be found on a decal attached to the weight bench (see the front cover of this manual).

**To avoid a registration fee for any service needed under warranty, you must register the weight bench at [www.proformservice.com/registration](http://www.proformservice.com/registration).**

Before reading further, please review the drawing below and familiarize yourself with the parts that are labeled.



# ASSEMBLY

## Make Assembly Easier




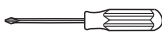
Everything in this manual is designed to ensure that the weight bench can be assembled successfully by anyone. Most people find that by setting aside plenty of time, assembly will go smoothly.

**Before beginning assembly, carefully read the following information and instructions:**

- To hire an authorized service technician to assemble the weight bench, call toll-free 1-800-445-2480.
- Assembly requires two persons.
- Make sure that there is enough clearance to walk around the weight bench as you assemble it.
- Place all parts in a cleared area and remove the packing materials. Do not dispose of the packing materials until assembly is completed.

- As you assemble the weight bench, make sure all parts are oriented as shown in the drawings.
- Tighten all parts as you assemble them, unless instructed to do otherwise.
- **For help identifying small parts, use the PART IDENTIFICATION CHART.**

In addition to the included hex key and grease packet, the following tools (not included) are required for assembly:

- Two adjustable wrenches 
- One rubber mallet 
- One standard screwdriver 
- One Phillips screwdriver 

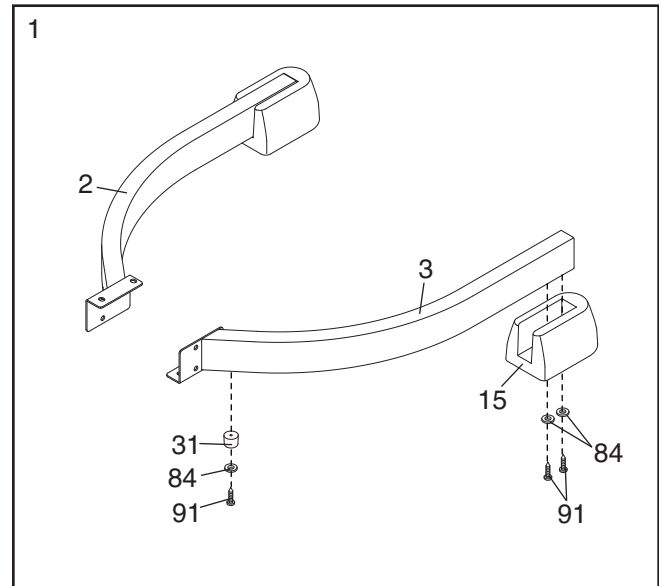
Assembly will be more convenient if you have a socket set, a set of open-end or closed-end wrenches, or a set of ratchet wrenches.

1. **Before beginning assembly, make sure you understand the information in the box above.**

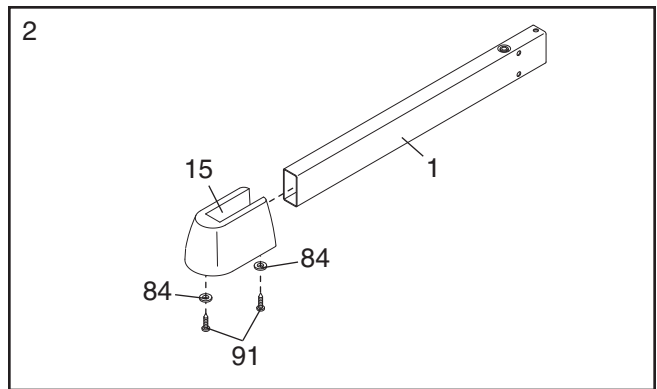
Make sure that the Left Seat Base (3) is oriented as shown. Attach a Seat Base Bumper (31) to the Left Seat Base with an M4 x 16mm Self-tapping Screw (91) and an M4 Washer (84).

Attach a Bench Foot (15) to the Left Seat Base (3) with two M4 x 16mm Self-tapping Screws (91) and two M4 Washers (84).

**Repeat this step with the Right Seat Base (2). Make sure that the Right Seat Base is oriented as shown.**

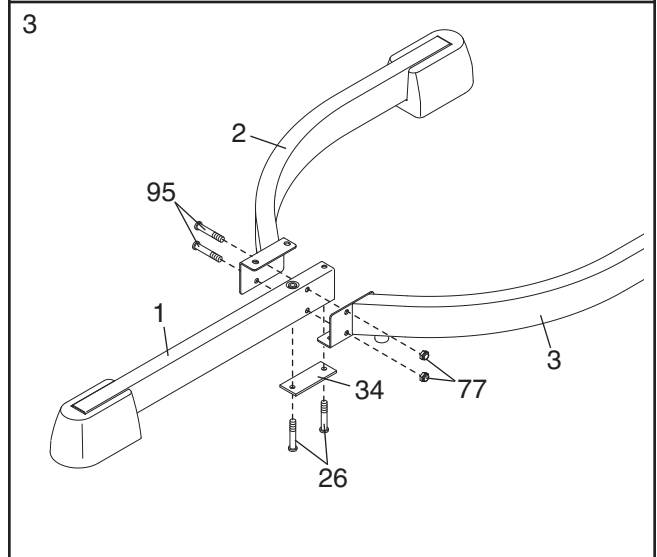


2. Attach the remaining Bench Foot (15) to the Center Seat Base (1) with two M4 x 16mm Self-tapping Screws (91) and two M4 Washers (84).

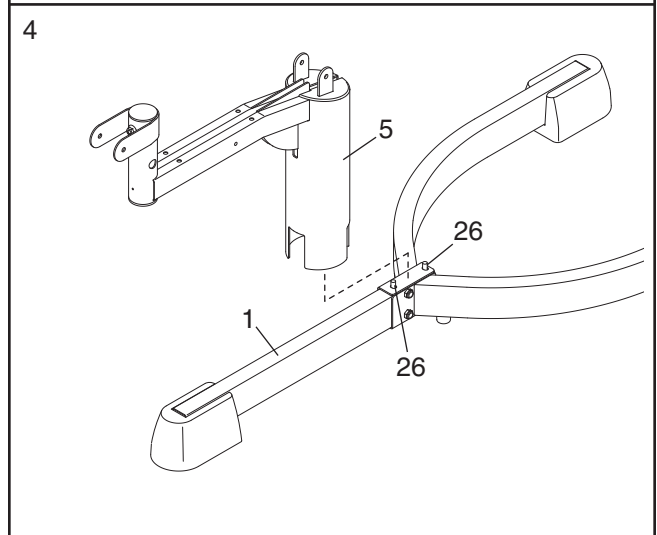


3. Insert two M10 x 100mm Screws (26) up through the Base Plate (34), the Center Seat Base (1), and the Right and Left Seat Bases (2, 3).

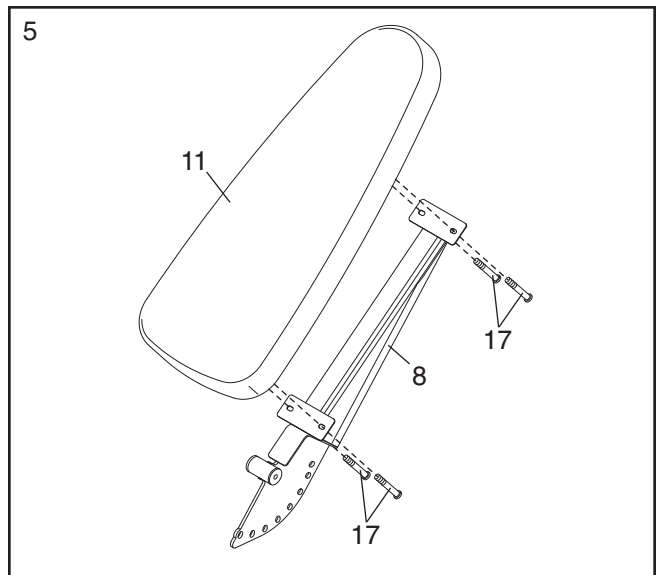
Attach the Right and Left Seat Bases (2, 3) to the Center Seat Base (1) with two M10 x 58mm Button Bolts (95) and two M10 Nylon Locknuts (77).



4. Attach the Seat Frame (5) to the Center Seat Base (1) with the indicated two M10 x 100mm Screws (26).

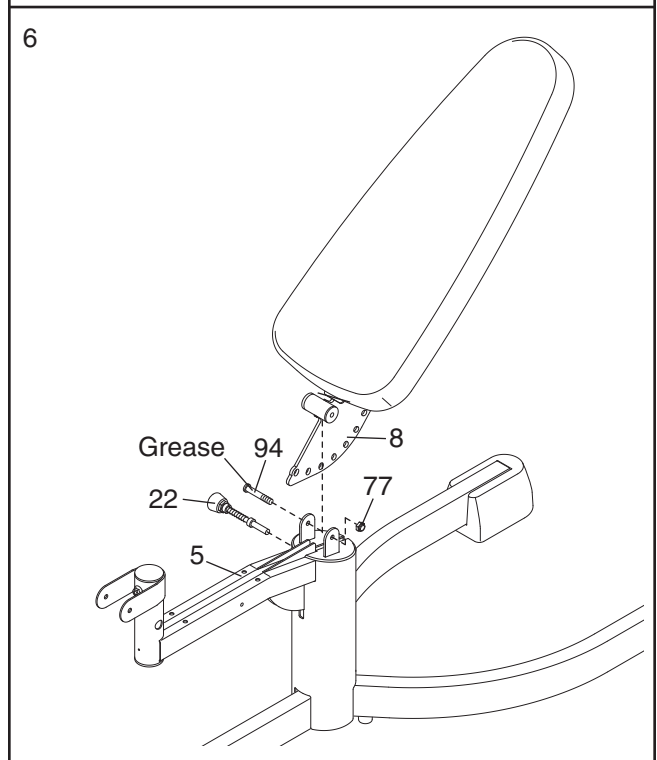


5. Attach the Backrest (11) to the Backrest Frame (8) with four M6 x 25mm Button Screws (17).



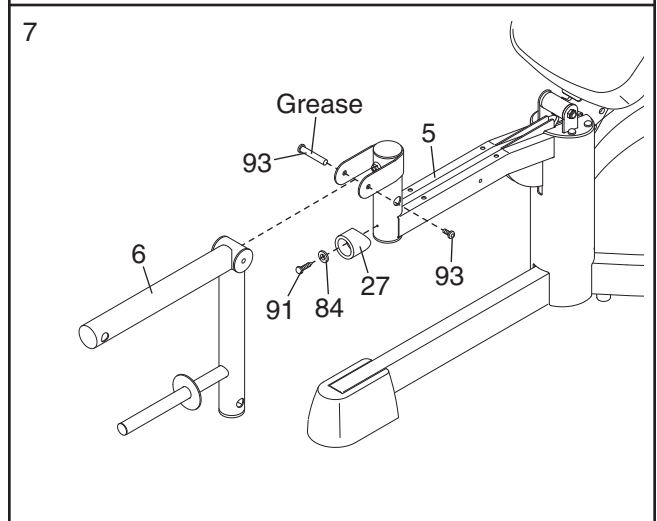
6. Apply a small amount of the included grease to an M10 x 87mm Button Bolt (94). Attach the Backrest Frame (8) to the Seat Frame (5) with the Button Bolt and an M10 Nylon Locknut (77). **Do not overtighten the Nylon Locknut; the Backrest Frame should pivot easily.**

Engage the Backrest Knob (22) into one of the holes in the Backrest Frame (8), and fully tighten the Backrest Knob into the Seat Frame (5).

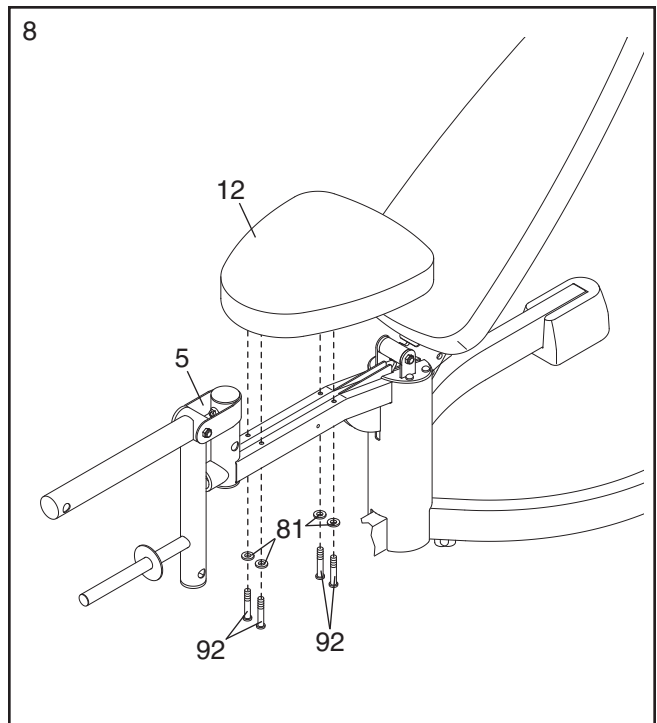


7. Attach the Seat Bumper (27) to the Seat Frame (5) with an M4 x 16mm Self-tapping Screw (91) and an M4 Washer (84).

Apply grease to the barrel of an M10 x 70mm Bolt Set (93). Attach the Leg Lever (6) to the Seat Frame (5) with the Bolt Set. **Make sure that the barrel of the Bolt Set is inserted through both sides of the bracket on the Seat Frame. Do not overtighten the Bolt Set; the Leg Lever must pivot easily.**

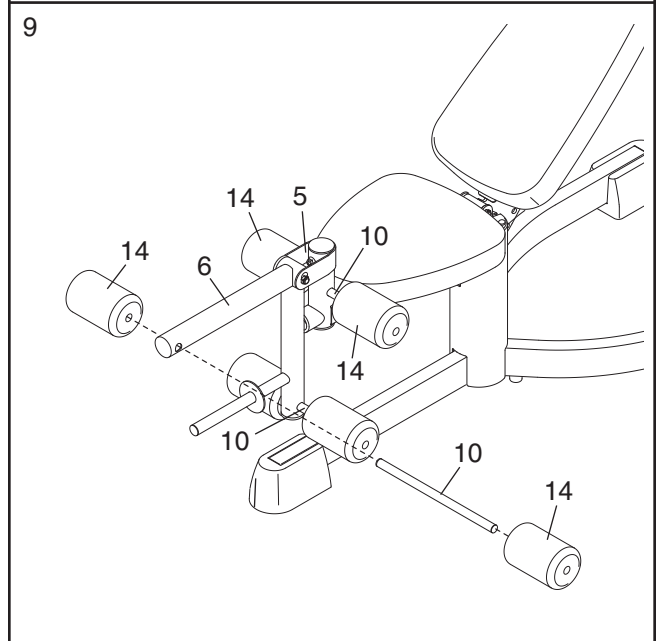


8. Attach the Seat (12) to the Seat Frame (5) with four M6 x 72mm Button Screws (92) and four M6 Washers (81).

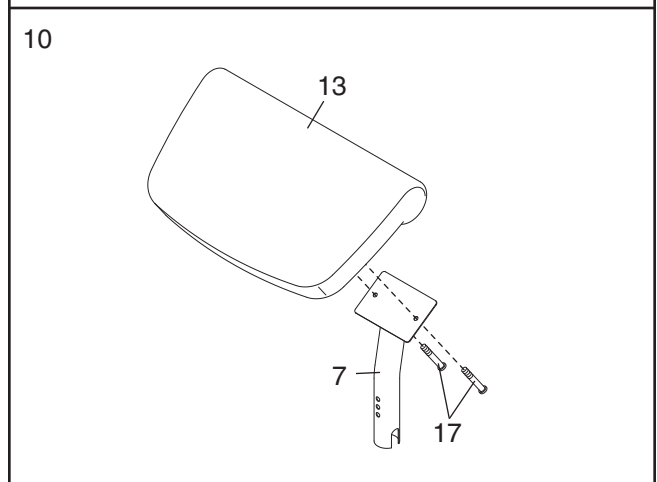


9. Insert a Pad Tube (10) into the Leg Lever (6). Slide two Foam Pads (14) onto the Pad Tube.

**Assemble the other two Pad Tubes (10) to the Leg Lever (6) and the Seat Frame (5) in the same manner.**



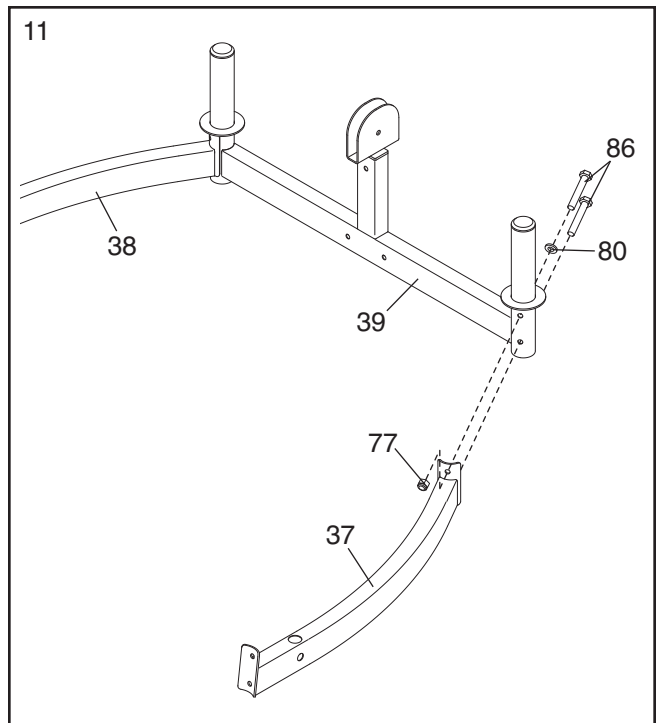
10. Attach the Curl Pad (13) to the Curl Post (7) with two M6 x 25mm Button Screws (17).



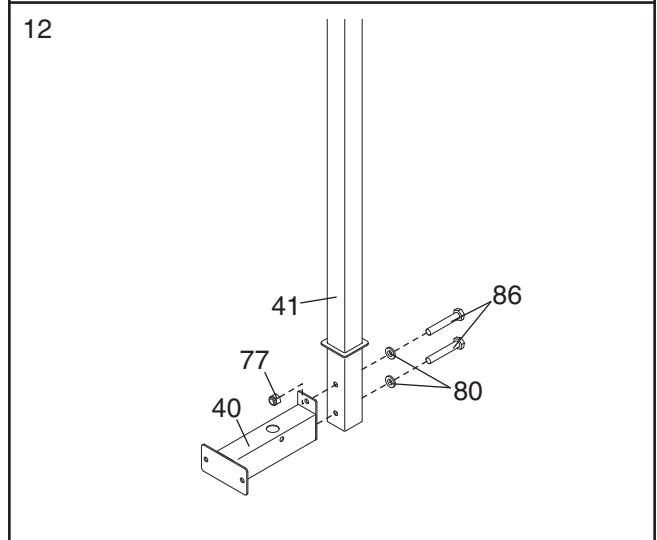


11. Attach the Left Rack Base (37) to the Center Rack Base (39) with two M10 x 67mm Bolts (86), an M10 Washer (80), and an M10 Nylon Locknut (77). **Do not tighten the Bolts yet.**

**Repeat this step with the Right Rack Base (38).**

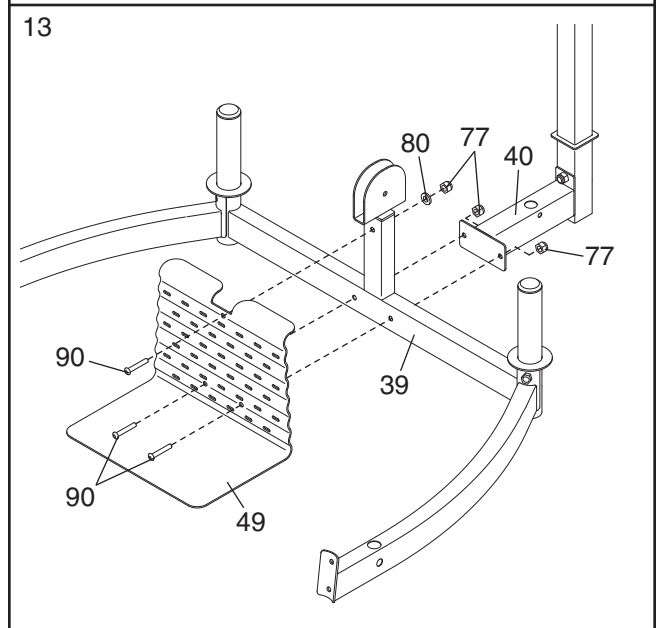


12. Attach the Rear Rack Base (40) to the Rear Upright (41) with two M10 x 67mm Bolts (86), two M10 Washers (80), and an M10 Nylon Locknut (77). **Do not tighten the Bolts yet.**



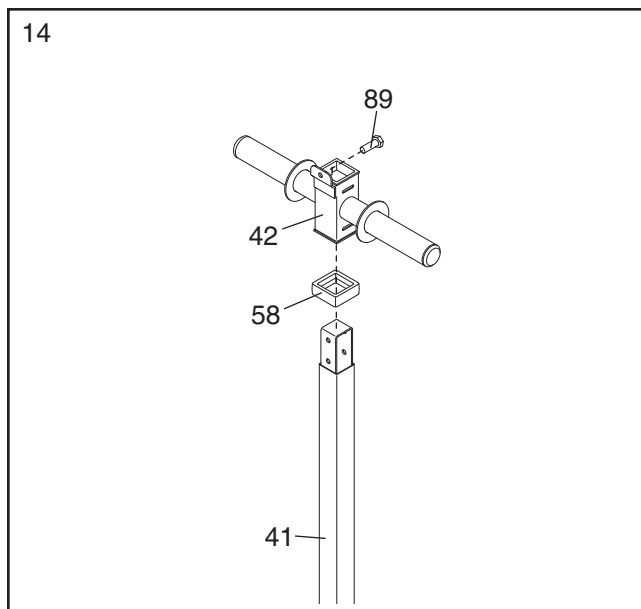
13. Attach the Foot Plate (49) and the Rear Rack Base (40) to the Center Rack Base (39) with two M10 x 63mm Button Bolts (90) and two M10 Nylon Locknuts (77). **Do not tighten the Nylon Locknuts yet.**

Attach the Foot Plate (49) to the Center Rack Base (39) with an M10 x 63mm Button Bolt (90), an M10 Washer (80), and an M10 Nylon Locknut (77). **Do not tighten the Nylon Locknut yet.**



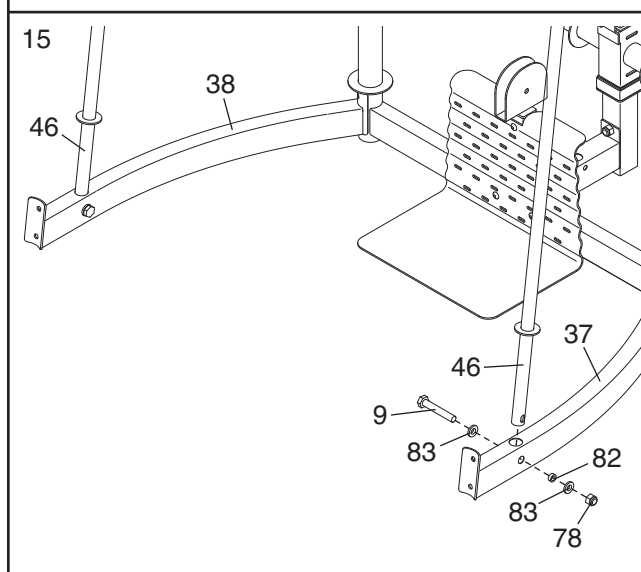
14. Insert an M10 x 20mm Bolt (89) into the Weight Carriage (42) from the side shown.

Slide the Weight Carriage Stop (58) onto the Rear Upright (41). Then, slide the Weight Carriage (42) onto the Rear Upright.



15. Attach a Guide Rod (46) to the Left Rack Base (37) with an M8 x 53mm Bolt (9), two M8 Washers (83), an 11mm x 8mm Spacer (82), and an M8 Nylon Locknut (78). **Do not tighten the Nylon Locknut yet.**

**Attach a Guide Rod (46) to the Right Rack Base (38) in the same manner.**

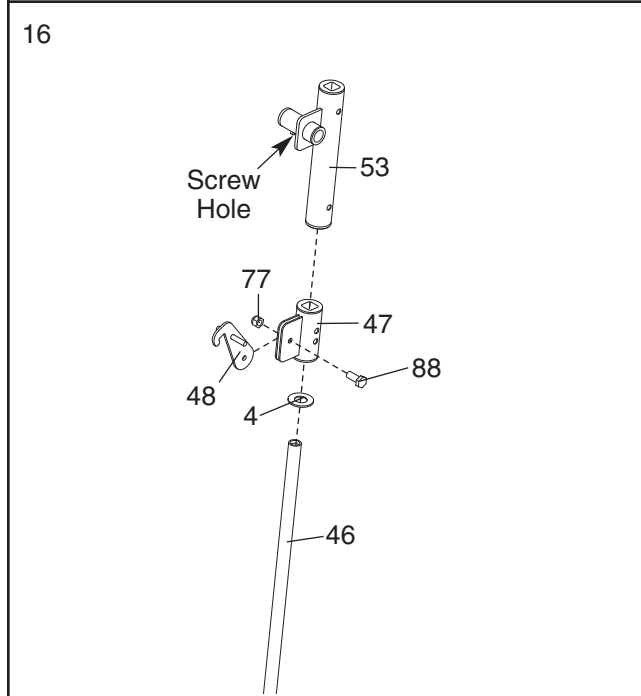


16. Attach a Barbell Stop Hook (48) to a Barbell Stop (47) with an M10 x 25mm Bolt (88) and an M10 Nylon Locknut (77). **Do not tighten the Nylon Locknut yet; the Stop Hook should pivot easily.**

Slide a Bumper (4) and the Barbell Stop (47) onto the right Guide Rod (46).

Identify the Right Barbell Guide (53) by the location of the screw hole. Slide the Right Barbell Guide onto the right Guide Rod (46).

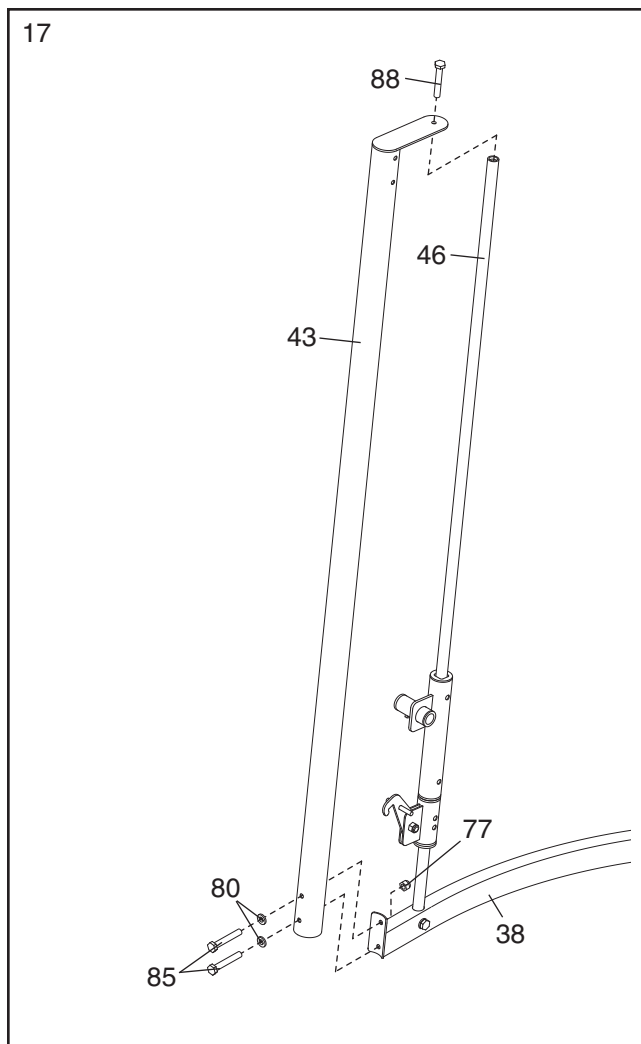
**Repeat this step with the left Guide Rod (not shown).**



17. Attach a Front Upright (43) to the Right Rack Base (38) with two M10 x 82mm Bolts (85), two M10 Washers (80), and an M10 Nylon Locknut (77). **Do not tighten the Bolts yet.**

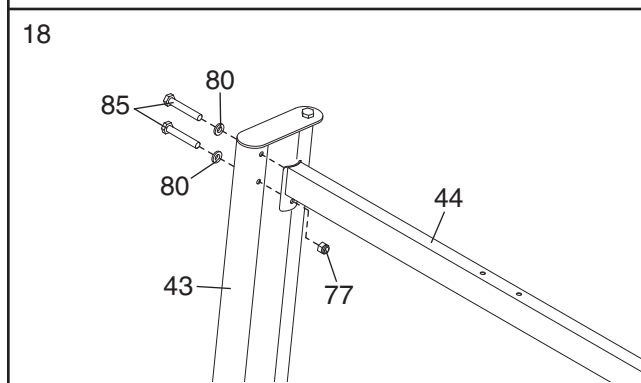
Attach the Front Upright (43) to the right Guide Rod (46) with an M10 x 25mm Bolt (88).

**Repeat this step with the other Front Upright (not shown).**



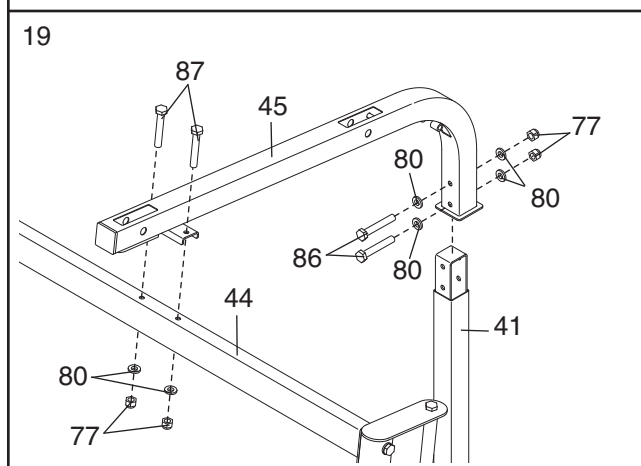
18. Attach the Cross Frame (44) to the right Front Upright (43) with two M10 x 82mm Bolts (85), two M10 Washers (80), and an M10 Nylon Locknut (77). **Do not tighten the Bolts yet.**

**Repeat this step with the left Front Upright (not shown).**

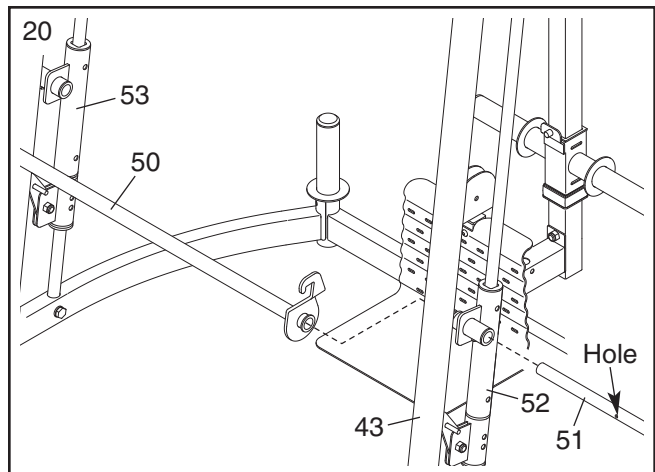


19. Attach the Top Frame (45) to the Rear Upright (41) with two M10 x 67mm Bolts (86), four M10 Washers (80), and two M10 Nylon Locknuts (77). **Do not tighten the Nylon Locknuts yet.**

Attach the Top Frame (45) to the Cross Frame (44) with two M10 x 78mm Bolts (87), two M10 Washers (80), and two M10 Nylon Locknuts (77). **Do not tighten the Nylon Locknuts yet.**



20. Orient the Locking Bar (50) as shown. Slide the Barbell (51) through the Left Barbell Guide (52), the Locking Bar, and the Right Barbell Guide (53). **Make sure that the Barbell is centered in the Barbell Guides.** Engage the Locking Bar into the Uprights (43) at the lowest position.



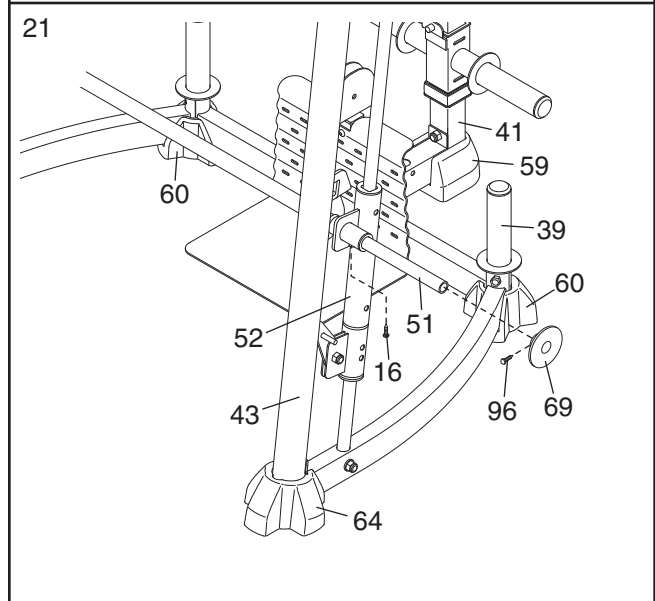
21. Hand tighten an M8 x 20mm Button Screw (16) into the Left Barbell Guide (52).

Slide a Weight Stop (69) onto the Barbell (51). Hand tighten an M6 x 15mm Button Screw (96) into the Weight Stop. **Make sure that the Button Screw is tightened enough to engage the hole (see drawing 20) in the Barbell.**

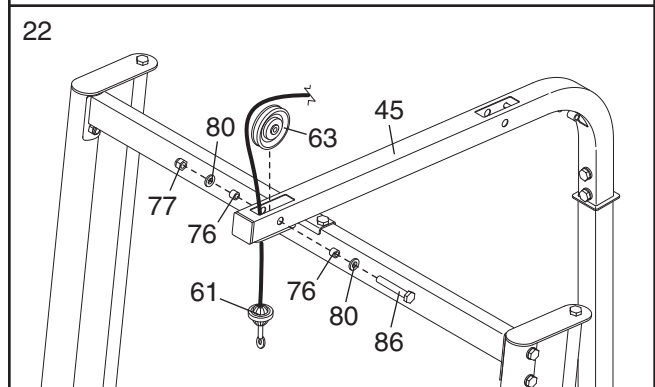
**Repeat this step on the other side of the Barbell (51).**

**Tighten the Button Screws used in this step, and the Bolts and Nylon Locknuts used in steps 11–15 and 17–19.**

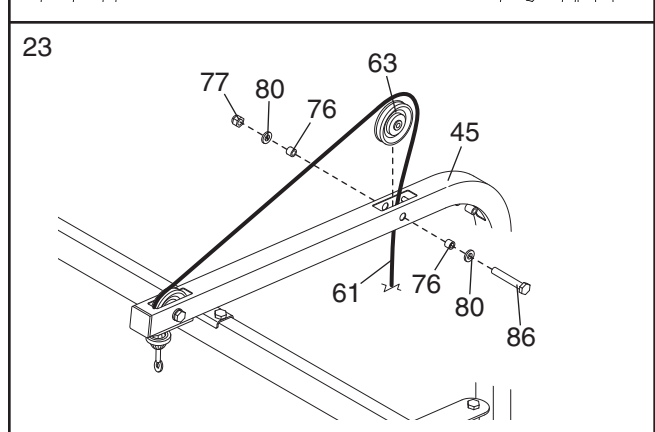
Press two Center Base Feet (60) onto the Center Rack Base (39). Press the Rear Upright Foot (59) onto the Rear Upright (41). Press two Front Upright Feet (64) onto the Front Uprights (43).



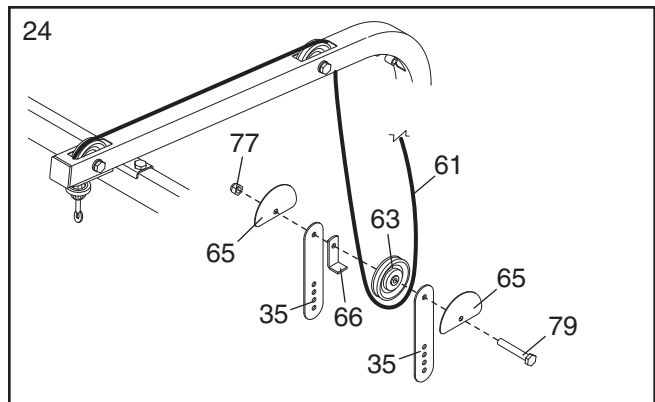
22. Route a Cable (61) up through the Top Frame (45) and over a Pulley (63). Attach the Pulley inside the Top Frame with an M10 x 67mm Bolt (86), two M10 Washers (80), two 16mm x 12.5mm Spacers (76), and an M10 Nylon Locknut (77).



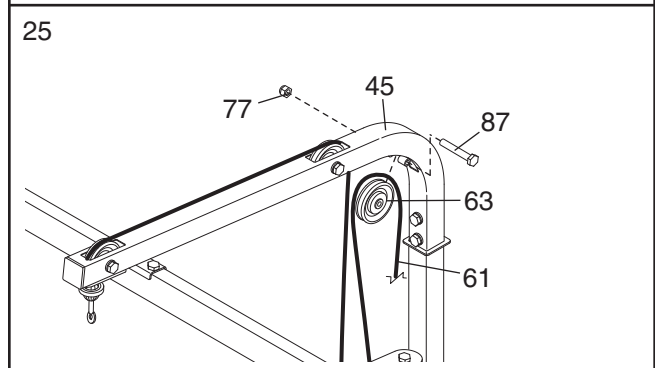
23. Route the Cable (61) over a Pulley (63) and down through the Top Frame (45). Attach the Pulley inside the Top Frame with an M10 x 67mm Bolt (86), two M10 Washers (80), two 16mm x 12.5mm Spacers (76), and an M10 Nylon Locknut (77).



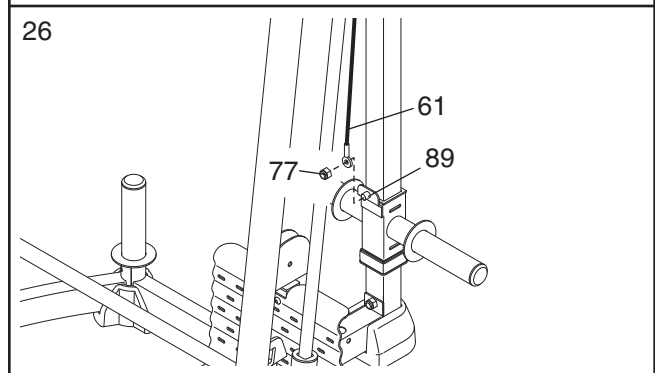
24. Route the Cable (61) under a Pulley (63). Attach the Pulley, a Cable Trap (66), and two Half Finger Guards (65) to the two Pulley Plates (35) with an M10 x 50mm Bolt (79) and an M10 Nylon Locknut (77). **Make sure that the Cable Trap is oriented to hold the Cable in the groove of the Pulley.**



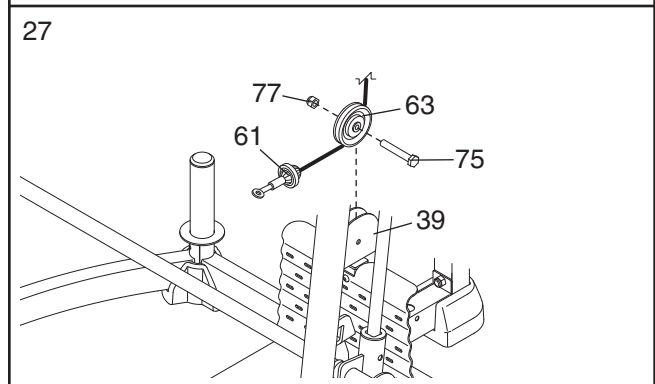
25. Route the Cable (61) over a Pulley (63). Attach the Pulley inside the Top Frame (45) with an M10 x 78mm Bolt (87) and an M10 Nylon Locknut (77).



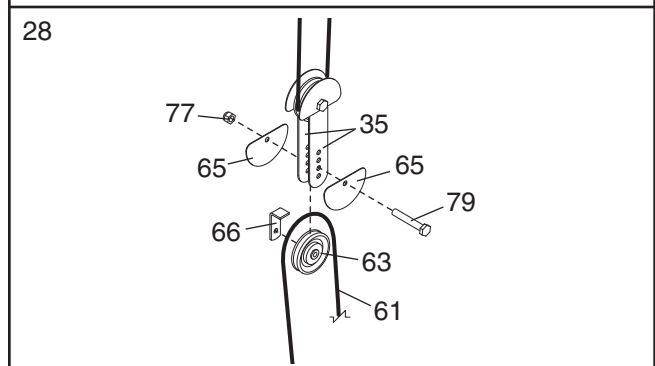
26. Attach the Cable (61) to the M10 x 20mm Bolt (89) with an M10 Nylon Locknut (77). **Make sure that the Cable can pivot easily on the Bolt.**



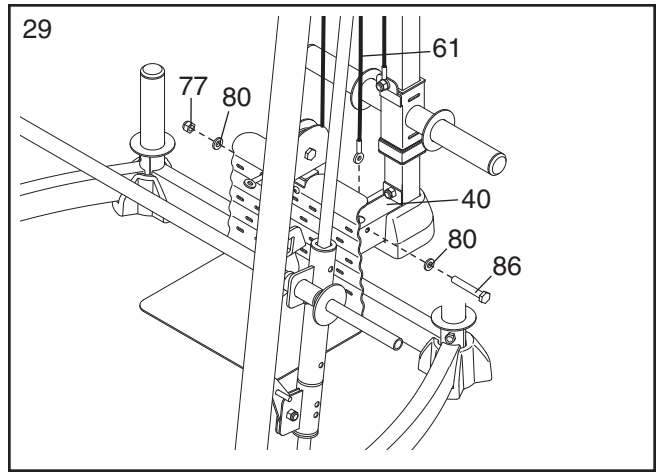
27. Route the second Cable (61) under a Pulley (63). Attach the Pulley to the Center Rack Base (39) with an M10 x 45mm Bolt (75) and an M10 Nylon Locknut (77).



28. Route the Cable (61) over a Pulley (63). Attach the Pulley, a Cable Trap (66), and two Half Finger Guards (65) to the two Pulley Plates (35) at the indicated hole with an M10 x 50mm Bolt (79) and an M10 Nylon Locknut (77). **Make sure that the Cable Trap is oriented to hold the Cable in the groove of the Pulley.**



29. Attach the Cable (61) to the Rear Rack Base (40) with an M10 x 67mm Bolt (86), two M10 Washers (80), and an M10 Nylon Locknut (77).



30. Make sure that all parts are properly tightened. The use of the remaining parts will be explained in ADJUSTMENTS starting below.

## ADJUSTMENTS

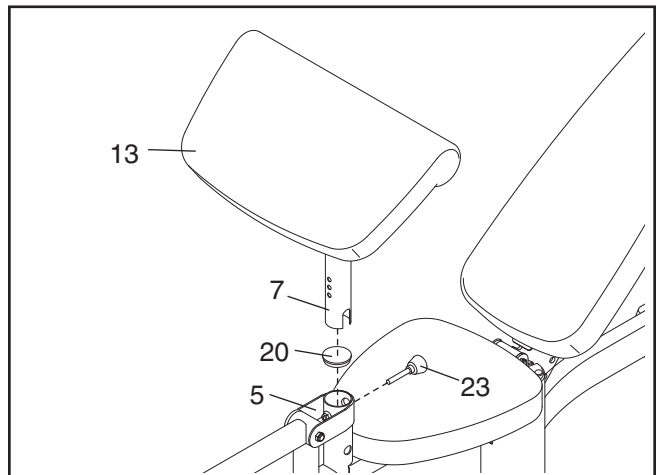
This section explains how to adjust the weight bench. See the EXERCISE GUIDELINES on page 18 for important information about how to get the most benefit from your exercise program. Also, refer to the accompanying exercise guide to see the correct form for each exercise.

Make sure all parts are properly tightened each time the weight bench is used. Replace any worn parts immediately. The weight bench can be cleaned with a damp cloth and a mild, non-abrasive detergent. Do not use solvents.

### ATTACHING THE CURL PAD

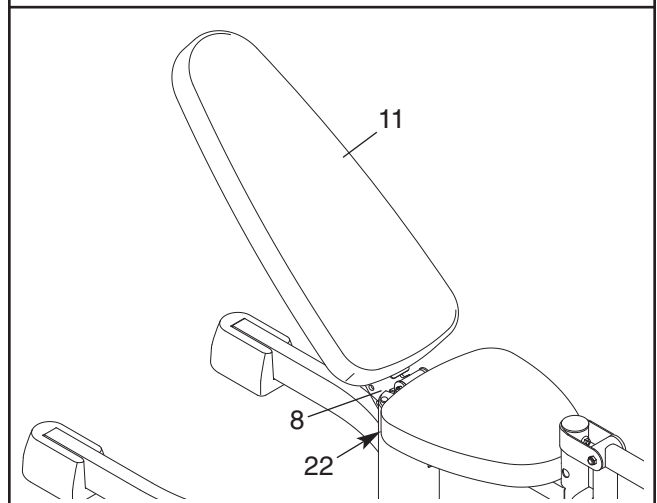
Remove the 56mm Round Cap (20) from the Seat Frame (5). Secure the Curl Post (7) in the Seat Frame with the Curl Knob (23).

Replace the 56mm Round Cap (20) into the Seat Frame (5) when the Curl Pad (13) is not being used.



### ADJUSTING THE BACKREST

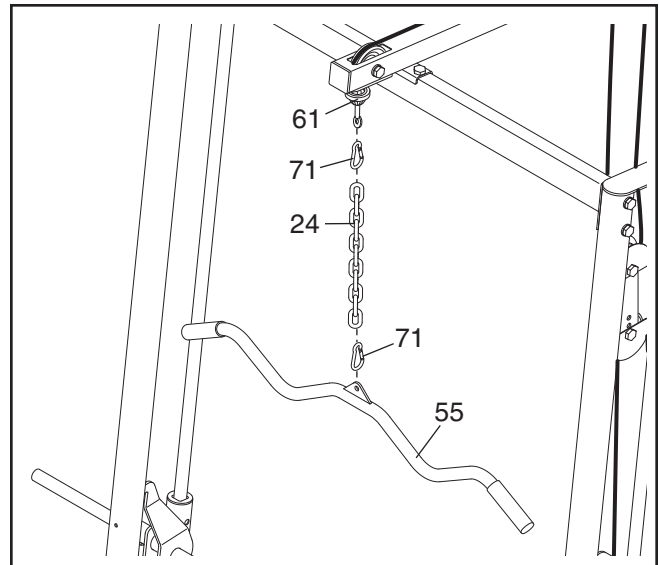
Hold the top of the Backrest (11) with one hand and pull out the Backrest Knob (22). Move the Backrest to the desired position and reengage the Knob into the Backrest Frame (8).



## ATTACHING ACCESSORIES

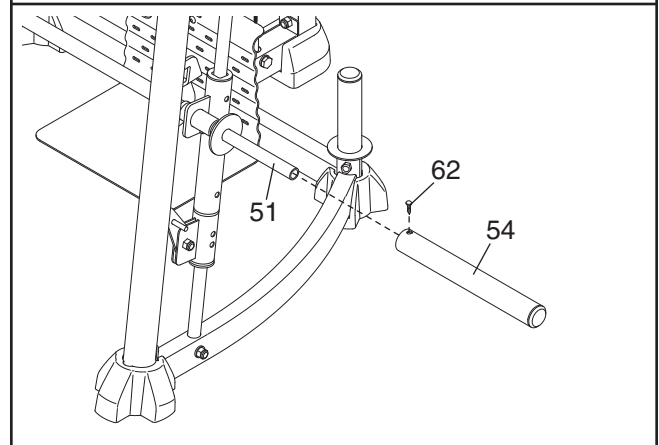
The Lat Bar (55) can be attached to a Cable (61) with a Cable Clip (71). For some exercises the Chain (24) should be attached between the Cable and the Lat Bar with two Cable Clips.

The other accessories can be attached to the Cables (61) in the same manner.



## ATTACHING THE BARBELL ADAPTERS

Slide a Barbell Adapter (54) onto the Barbell (51) and secure it in place with an M8 x 10mm Set Screw (62). Repeat this process on the other side of the Barbell.

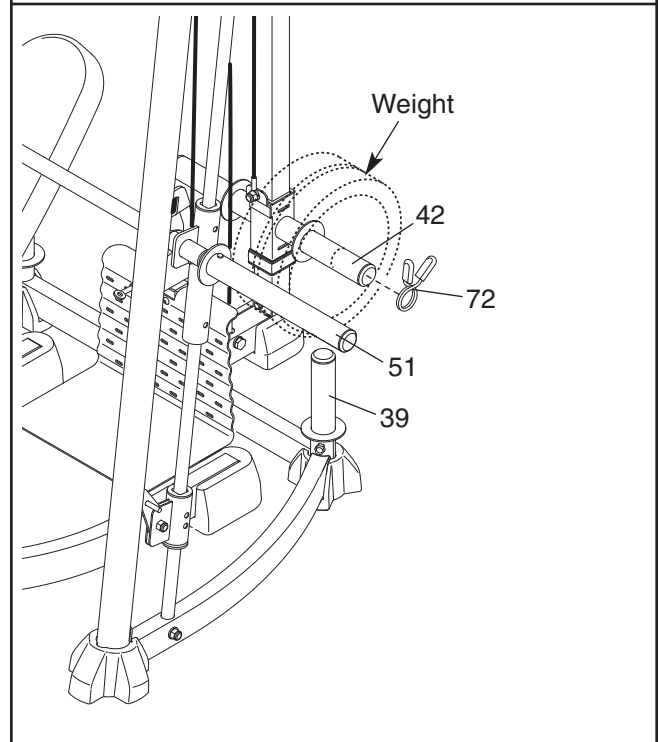


## ADDING WEIGHT

Slide the desired amount of weight (not included) onto the Weight Carriage (42). Secure the weight with the Spring Clips (72).

Add weight to the Barbell (51) or the Leg Lever (not shown) in the same manner.

Weights can be stored on the Center Rack Base (39) when they are not being used.



**⚠ WARNING:** Always place an equal amount of weight on each side of the Weight Carriage (42) or the Barbell (51). Do not place more than 150 pounds on the Weight Carriage or the Leg Lever (not shown). Do not place more than 310 pounds on the Barbell.

## ADJUSTING THE BARBELL STOPS

Hold the handle on a Barbell Stop Hook (48) and disengage the Barbell Stop Hook from the Front Upright (43). Move the Barbell Stop (47) to the lowest point you want the Barbell (51) to go to during the exercise. Reengage the Hook into the Upright. Repeat with the other Barbell Stop.

**⚠ WARNING:** Always set both Barbell Stops (47) at the same height.

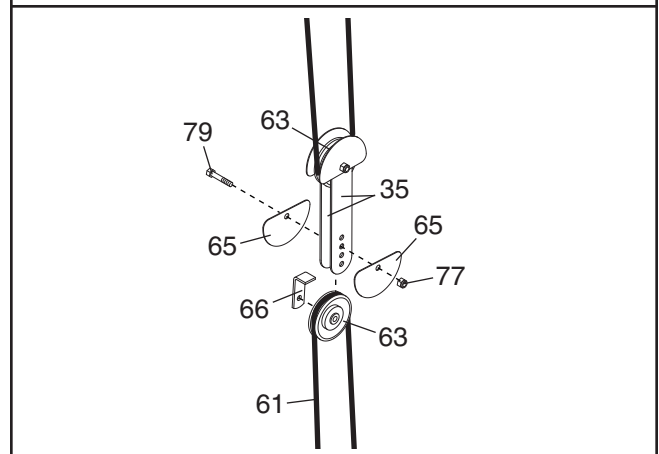
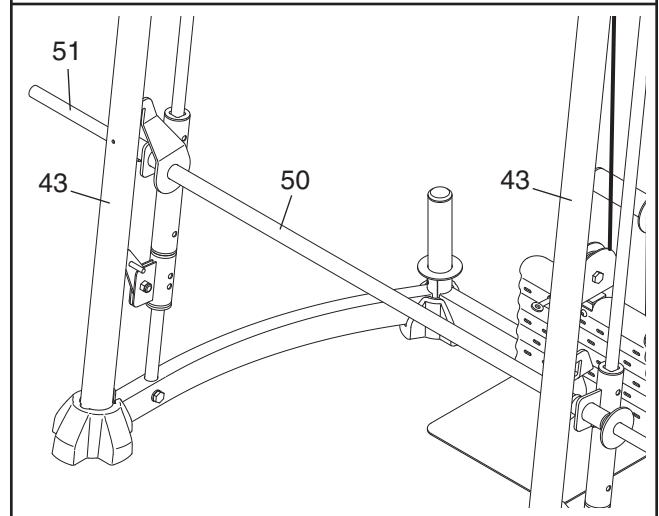
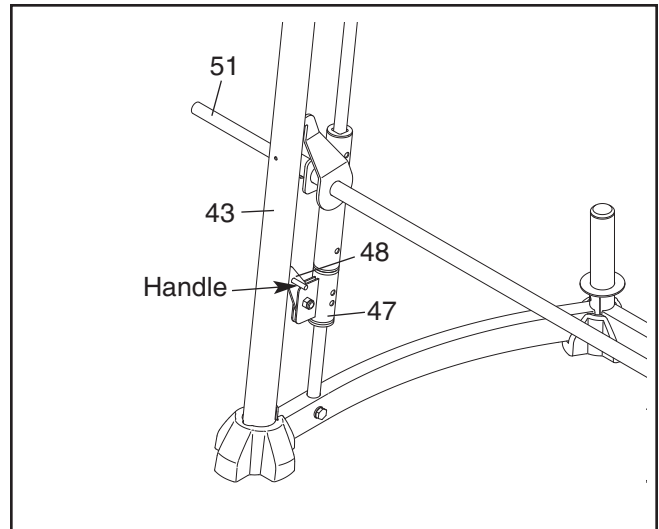
## USING THE BARBELL

First, attach the desired amount of weight to the Barbell (51) (see ADDING WEIGHT on the previous page). Next, adjust the barbell stops (see ADJUSTING THE BARBELL STOPS above). Finally, lift the Locking Bar (50) and disengage it from the Front Uprights (43). When finished with the exercise, reengage the Locking Bar into the Uprights.

## ADJUSTING THE CABLE

Woven cable, the type of cable used on your weight rack, can stretch slightly when it is first used. Slack can be removed from the Cable (61) by moving the lower Pulley (63) closer to the upper Pulley (63).

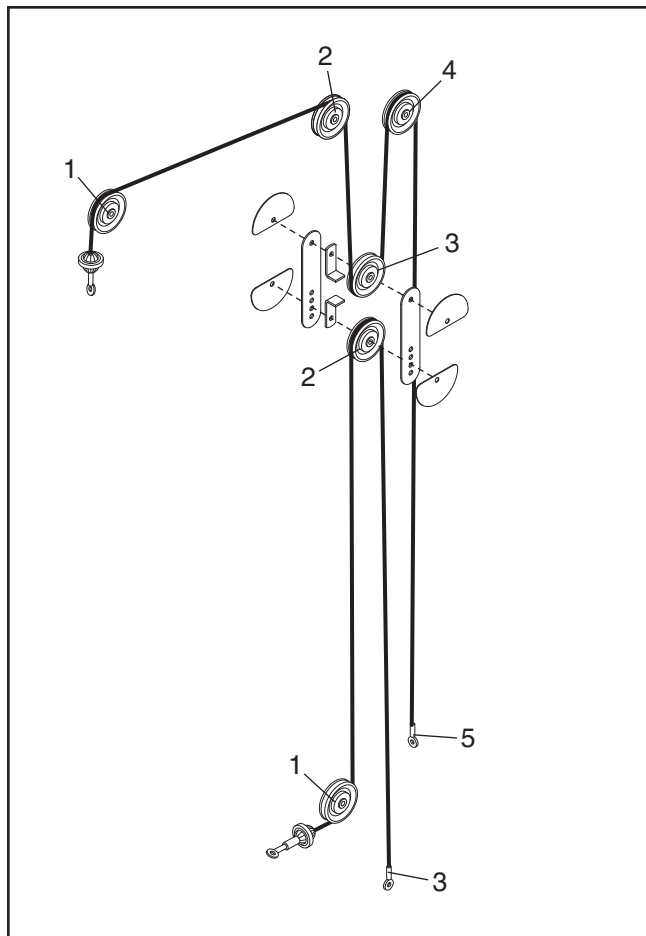
Remove the M10 x 50mm Bolt (79) from the Pulley (63), the two Pulley Plates (35), the two Half Finger Guards (65), the Cable Trap (66), and the M10 Nylon Locknut (77). Reattach the Pulley, Cable Trap, and Finger Guards at a higher set of holes in the Pulley Plates with the Bolt and Nylon Locknut.





# CABLE DIAGRAM

The cable diagram shows the proper routing of the cables. Use the diagram to make sure that the cables and the cable traps have been assembled correctly. If the cables have not been correctly routed, the weight bench will not function properly and damage may occur. The numbers show the correct route for each cable. **Make sure that the cable traps do not touch or bind the cables.**



---

# EXERCISE GUIDELINES

## THE FOUR BASIC TYPES OF WORKOUTS

### Muscle Building

To increase the size and strength of your muscles, push them close to their maximum capacity. Your muscles will adapt and grow as you progressively increase the intensity of your exercise. You can adjust the intensity level of an individual exercise in two ways:

- by changing the amount of weight used
- by changing the number of repetitions or sets performed. (A “repetition” is one complete cycle of an exercise, such as one sit-up. A “set” is a series of repetitions.)

The proper amount of weight for each exercise depends upon the individual user. You must gauge your limits and select the amount of weight that is right for you. Begin with 3 sets of 8 repetitions for each exercise you perform. Rest for 3 minutes after each set. When you can complete 3 sets of 12 repetitions without difficulty, increase the amount of weight.

### Toning

You can tone your muscles by pushing them to a moderate percentage of their capacity. Select a moderate amount of weight and increase the number of repetitions in each set. Complete as many sets of 15 to 20 repetitions as possible without discomfort. Rest for 1 minute after each set. Work your muscles by completing more sets rather than by using high amounts of weight.

### Weight Loss

To lose weight, use a low amount of weight and increase the number of repetitions in each set. Exercise for 20 to 30 minutes, resting for a maximum of 30 seconds between sets.

### Cross Training

Cross training is an efficient way to get a complete and well-balanced fitness program. An example of a balanced program follows:

- Plan strength training workouts on Monday, Wednesday, and Friday.
- Plan 20 to 30 minutes of aerobic exercise, such as running on a treadmill or riding on an elliptical exerciser or exercise cycle, on Tuesday and Thursday.
- Rest from both strength training and aerobic exercise for at least one full day each week to give your body time to regenerate.

The combination of strength training and aerobic exercise will reshape and strengthen your body, plus develop your heart and lungs.

## PERSONALIZING YOUR EXERCISE PROGRAM

Determining the exact length of time for each workout, as well as the number of repetitions or sets completed, is an individual matter. It is important to avoid overdoing it during the first few months of your exercise program. You should progress at your own pace and be sensitive to your body’s signals. If you experience pain or dizziness at any time while exercising, stop immediately and begin cooling down. Find out what is wrong before continuing. Remember that adequate rest and a proper diet are important factors in any exercise program.

### WARMING UP

Begin each workout with 5 to 10 minutes of stretching and light exercise to warm up. Warming up prepares your body for more strenuous exercise by increasing circulation, raising your body temperature and delivering more oxygen to your muscles.

### WORKING OUT

Each workout should include 6 to 10 different exercises. Select exercises for every major muscle group, emphasizing areas that you want to develop most. To give balance and variety to your workouts, vary the exercises from session to session.

Schedule your workouts for the time of day when your energy level is the highest. Each workout should be followed by at least one day of rest. Once you find the schedule that is right for you, stick with it.

### EXERCISE FORM

Maintaining proper form is an essential part of an effective exercise program. This requires moving through the full range of motion for each exercise, and moving only the appropriate parts of the body. Exercising in an uncontrolled manner will leave you feeling exhausted. On the exercise guide accompanying this manual you will find photographs showing the correct form for several exercises, and a list of the muscles affected. Refer to the muscle chart on the next page to find the names of the muscles.

The repetitions in each set should be performed smoothly and without pausing. The exertion stage of each repetition should last about half as long as the return stage. Proper breathing is important. Exhale during the exertion stage of each repetition and inhale during the return stroke. Never hold your breath.

Rest for a short period of time after each set. The ideal resting periods follow:

- Rest for three minutes after each set for a muscle building workout.
- Rest for one minute after each set for a toning workout.
- Rest for 30 seconds after each set for a weight loss workout.

Plan to spend the first couple of weeks familiarizing yourself with the equipment and learning the proper form for each exercise.

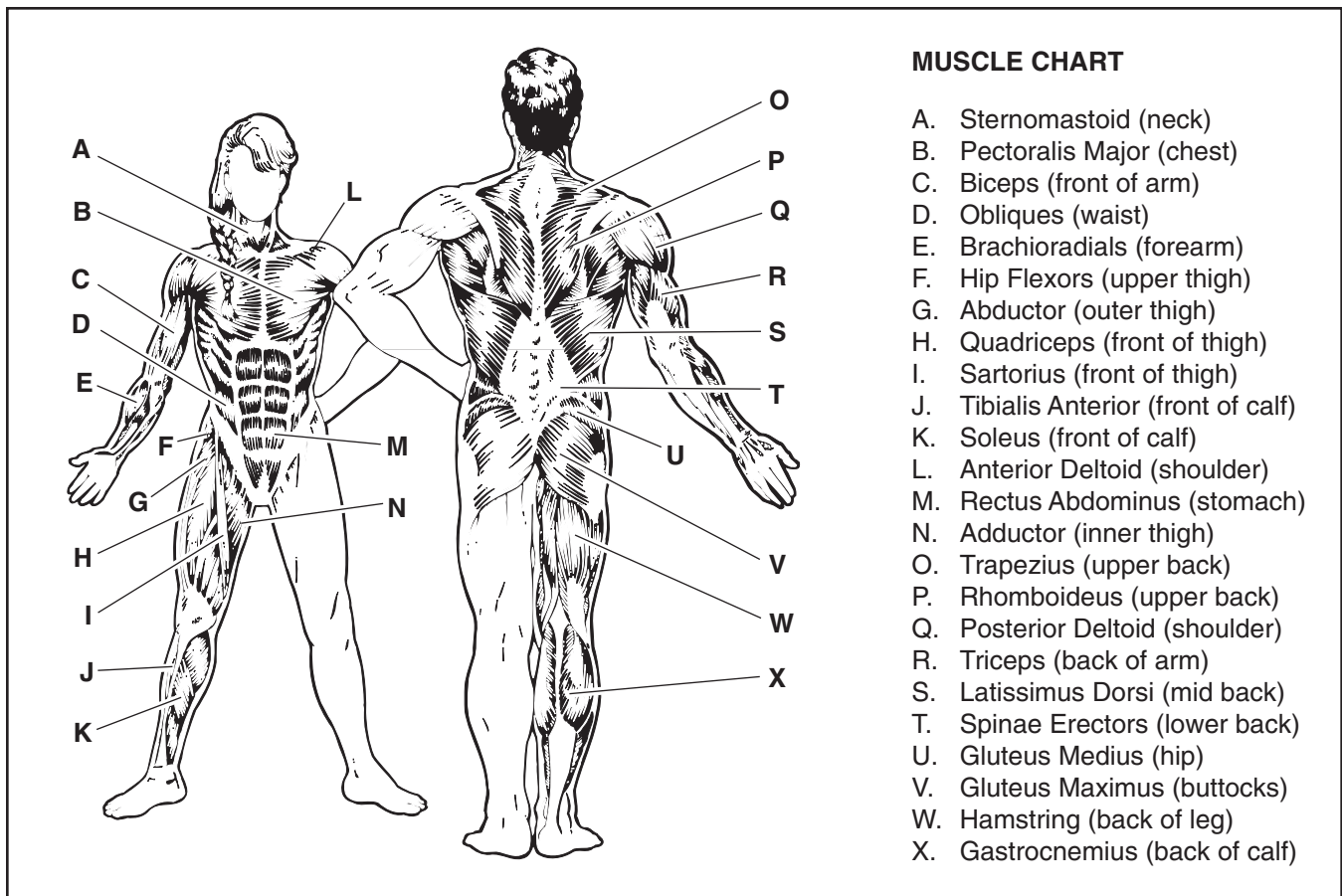
### COOLING DOWN

End each workout with 5 to 10 minutes of stretching. Include stretches for both your arms and legs. Move

slowly as you stretch and do not bounce. Ease into each stretch gradually and go only as far as you can without strain. Stretching at the end of each workout is an effective way to increase flexibility.

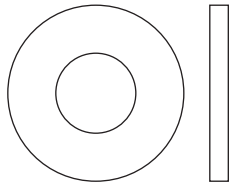
### STAYING MOTIVATED

For motivation, keep a record of each workout. List the date, the exercises performed, the resistance used, and the numbers of sets and repetitions completed. Record your weight and key body measurements at the end of every month. Remember, the key to achieving the greatest results is to make exercise a regular and enjoyable part of your everyday life.

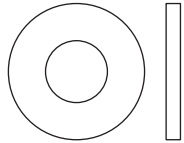


# PART IDENTIFICATION CHART

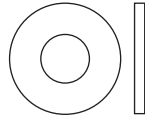
Refer to the drawings below to identify small parts used in assembly. The number in parentheses by each drawing is the key number of the part, from the PART LIST in the center of this manual. **Note: Some small parts may have been preassembled. If a part is not in the parts bag, check to see if it has been preassembled. If a part is missing, call toll-free 1-888-533-1333.**



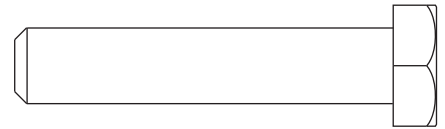
M10 Washer (80)



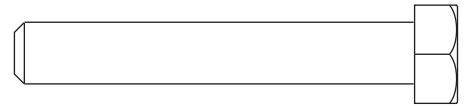
M8 Washer (83)



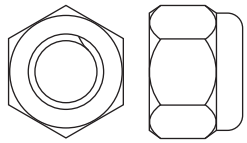
M6 Washer (81)



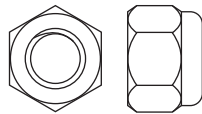
M10 x 50mm Bolt (79)



M8 x 53mm Bolt (9)



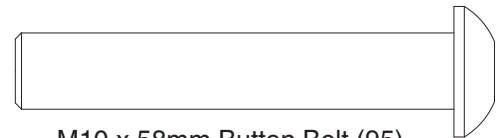
M10 Nylon Locknut (77)



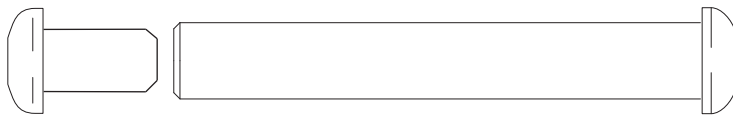
M8 Nylon Locknut (78)



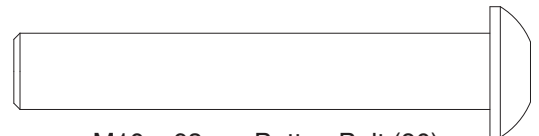
M4 Washer (84)



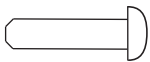
M10 x 58mm Button Bolt (95)



M10 x 70mm Bolt Set (93)



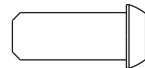
M10 x 63mm Button Bolt (90)



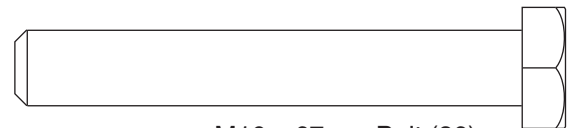
M4 x 16mm Self-tapping Screw (91)



M8 x 10mm Set Screw (62)



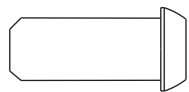
M6 x 15mm Button Screw (96)



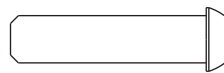
M10 x 67mm Bolt (86)



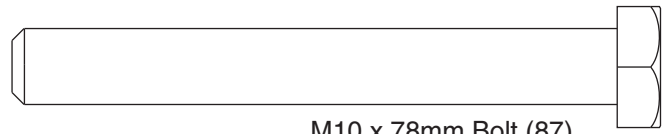
M6 x 72mm Button Screw (92)



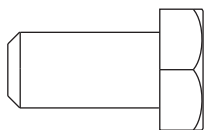
M8 x 20mm Button Screw (16)



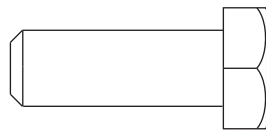
M6 x 25mm Button Screw (17)



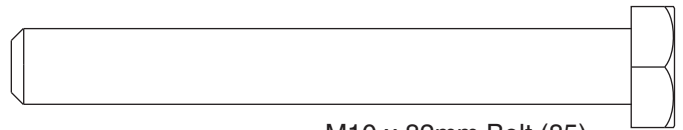
M10 x 78mm Bolt (87)



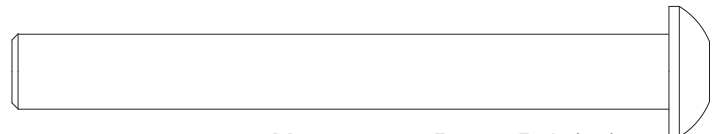
M10 x 20mm Bolt (89)



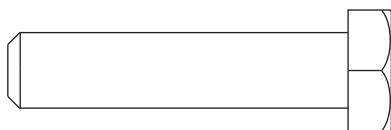
M10 x 25mm Bolt (88)



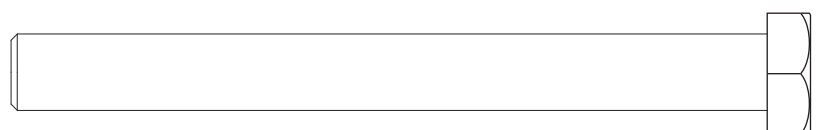
M10 x 82mm Bolt (85)



M10 x 87mm Button Bolt (94)



M10 x 45mm Bolt (75)



M10 x 100mm Screw (26)

# PART LIST—Model No. PFBE3006.0

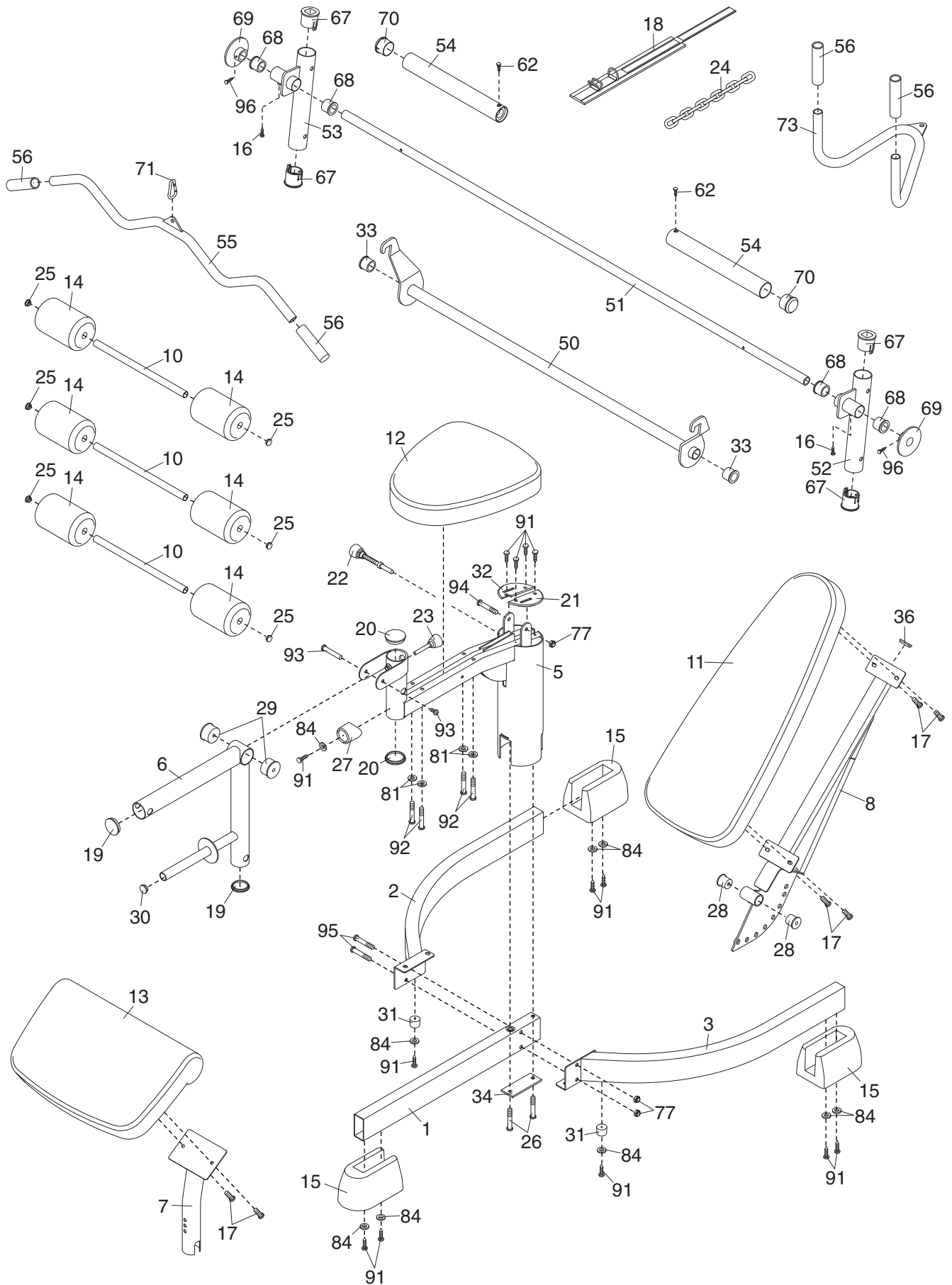
R0706A

Key No.	Qty.	Description	Key No.	Qty.	Description
1	1	Center Seat Base	51	1	Barbell
2	1	Right Seat Base	52	1	Left Barbell Guide
3	1	Left Seat Base	53	1	Right Barbell Guide
4	2	Bumper	54	2	Barbell Adapter
5	1	Seat Frame	55	1	Lat Bar
6	1	Leg Lever	56	4	Handgrip
7	1	Curl Post	57	2	Weight Carriage Bushing
8	1	Backrest Frame	58	1	Weight Carriage Stop
9	2	M8 x 53mm Bolt	59	1	Rear Upright Foot
10	3	Pad Tube	60	2	Center Base Foot
11	1	Backrest	61	2	Cable
12	1	Seat	62	2	M8 x 10mm Set Screw
13	1	Curl Pad	63	6	Pulley
14	6	Foam Pad	64	2	Front Upright Foot
15	3	Bench Foot	65	4	Half Finger Guard
16	2	M8 x 20mm Button Screw	66	2	Cable Trap
17	6	M6 x 25mm Button Screw	67	8	Barbell Guide Bushing
18	1	Ankle Strap	68	4	Barbell Bushing
19	2	50mm Round Cap	69	2	Weight Stop
20	2	56mm Round Cap	70	6	48mm Round Inner Cap
21	1	Left Seat Cap	71	2	Cable Clip
22	1	Backrest Knob	72	2	Spring Clip
23	1	Curl Knob	73	1	Row Bar
24	1	Chain	74	1	50mm Square Inner Cap
25	6	19mm Round Cap	75	1	M10 x 45mm Bolt
26	2	M10 x 100mm Screw	76	4	16mm x 12.5mm Spacer
27	1	Seat Bumper	77	27	M10 Nylon Locknut
28	2	Backrest Frame Bushing	78	2	M8 Nylon Locknut
29	2	Leg Lever Bushing	79	2	M10 x 50mm Bolt
30	1	48mm Thin Round Cap	80	25	M10 Washer
31	2	Seat Base Bumper	81	4	M6 Washer
32	1	Right Seat Cap	82	2	11mm x 8mm Spacer
33	2	Locking Bar Bushing	83	4	M8 Washer
34	1	Base Plate	84	9	M4 Washer
35	2	Pulley Plate	85	8	M10 x 82mm Bolt
36	1	25mm x 50mm Cap	86	11	M10 x 67mm Bolt
37	1	Left Rack Base	87	3	M10 x 78mm Bolt
38	1	Right Rack Base	88	4	M10 x 25mm Bolt
39	1	Center Rack Base	89	1	M10 x 20mm Bolt
40	1	Rear Rack Base	90	3	M10 x 63mm Button Bolt
41	1	Rear Upright	91	13	M4 x 16mm Self-tapping Screw
42	1	Weight Carriage	92	4	M6 x 72mm Button Screw
43	2	Front Upright	93	1	M10 x 70mm Bolt Set
44	1	Cross Frame	94	1	M10 x 87mm Button Bolt
45	1	Top Frame	95	2	M10 x 58mm Button Bolt
46	2	Guide Rod	96	2	M6 x 15mm Button Screw
47	2	Barbell Stop	#	1	User's Manual
48	2	Barbell Stop Hook	#	4	Hex Key
49	1	Foot Plate	#	1	Grease Pack
50	1	Locking Bar	#	1	Exercise Guide

Note: “#” indicates a non-illustrated part. Specifications are subject to change without notice. See the back cover of this manual for information about ordering replacement parts.

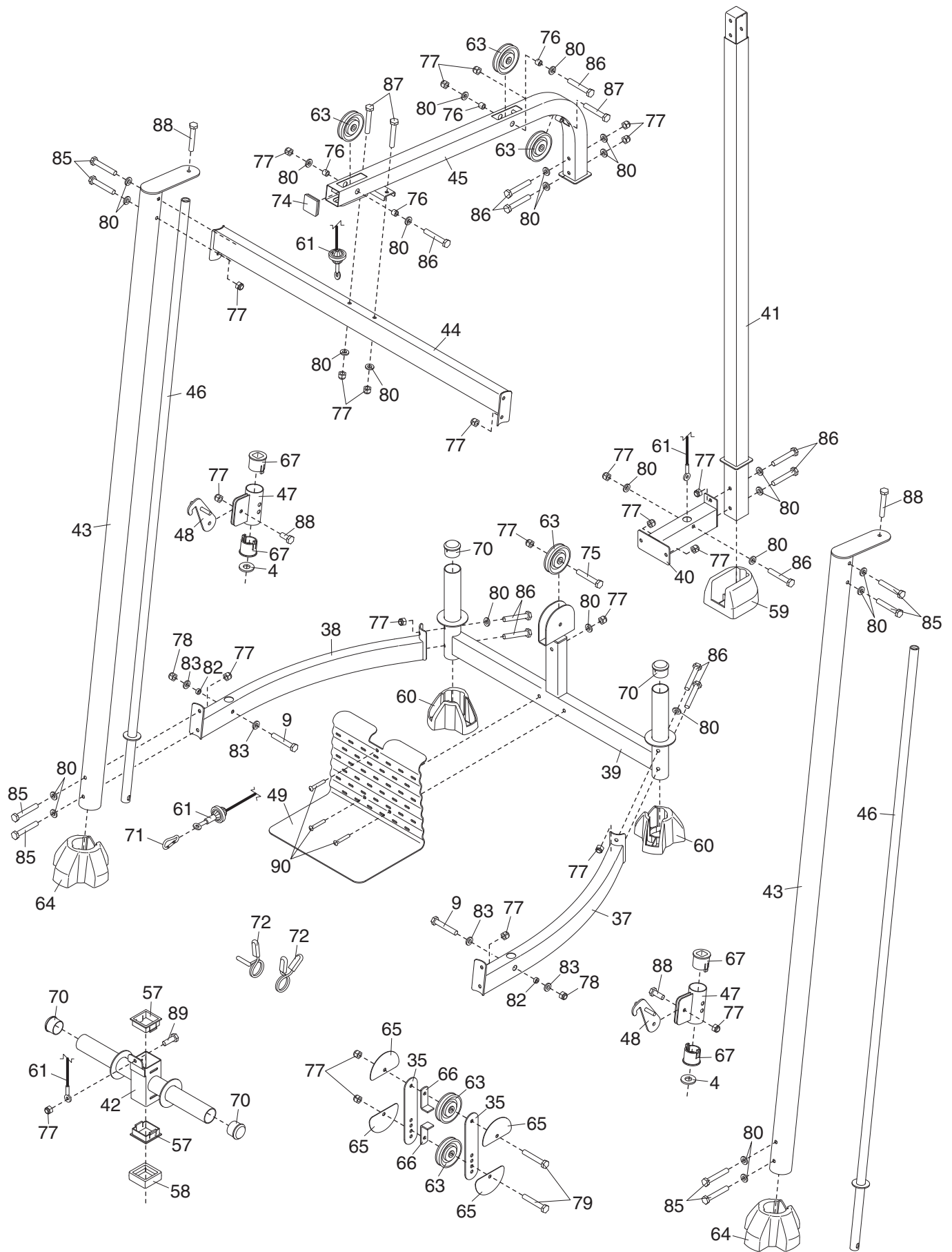
# EXPLODED DRAWING—Model No. PFBE3006.0

R0706A



# EXPLODED DRAWING—Model No. PFBE3006.0

R0706A



---

# ORDERING REPLACEMENT PARTS

To order replacement parts, please see the front cover of this manual. To help us assist you, please be prepared to give the following information:

- the MODEL NUMBER of the product (PFBE3006.0)
- the NAME of the product (PROFORM FUSION 3.0 XT weight bench)
- the SERIAL NUMBER of the product (see the front cover of this manual)
- the KEY NUMBER and DESCRIPTION of the part(s) (see the PART LIST and the EXPLODED DRAWING attached in the center of this manual)

## LIMITED WARRANTY

ICON Health & Fitness, Inc. (ICON), warrants this product to be free from defects in workmanship and material, under normal use and service conditions, for a period of ninety (90) days from the date of purchase. This warranty extends only to the original purchaser. ICON's obligation under this warranty is limited to replacing or repairing, at ICON's option, the product through one of its authorized service centers. All repairs for which warranty claims are made must be preauthorized by ICON. If the product is shipped to a service center, freight charges to and from the service center will be the customer's responsibility. For in-home service, the customer will be responsible for a minimal trip charge. This warranty does not extend to any product or damage to a product caused by or attributable to freight damage, abuse, misuse, improper or abnormal usage or repairs not provided by an ICON authorized service center; products used for commercial or rental purposes; or products used as store display models. No other warranty beyond that specifically set forth above is authorized by ICON.

ICON is not responsible or liable for indirect, special or consequential damages arising out of or in connection with the use or performance of the product or damages with respect to any economic loss, loss of property, loss of revenues or profits, loss of enjoyment or use, costs of removal or installation or other consequential damages of whatsoever nature. Some states do not allow the exclusion or limitation of incidental or consequential damages. Accordingly, the above limitation may not apply to you.

The warranty extended hereunder is in lieu of any and all other warranties and any implied warranties of merchantability or fitness for a particular purpose is limited in its scope and duration to the terms set forth herein. Some states do not allow limitations on how long an implied warranty lasts. Accordingly, the above limitation may not apply to you.

This warranty gives you specific legal rights. You may also have other rights which vary from state to state.

**ICON HEALTH & FITNESS, INC., 1500 S. 1000 W., LOGAN, UT 84321-9813**



## Free Manuals Download Website

<http://myh66.com>

<http://usermanuals.us>

<http://www.somanuals.com>

<http://www.4manuals.cc>

<http://www.manual-lib.com>

<http://www.404manual.com>

<http://www.luxmanual.com>

<http://aubethermostatmanual.com>

Golf course search by state

<http://golfingnear.com>

Email search by domain

<http://emailbydomain.com>

Auto manuals search

<http://auto.somanuals.com>

TV manuals search

<http://tv.somanuals.com>