

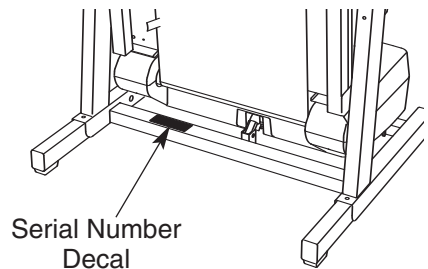
PRO-FORM[®]

CROSSWALK 425 X



Model No. PMTL32706.0

Serial No. _____

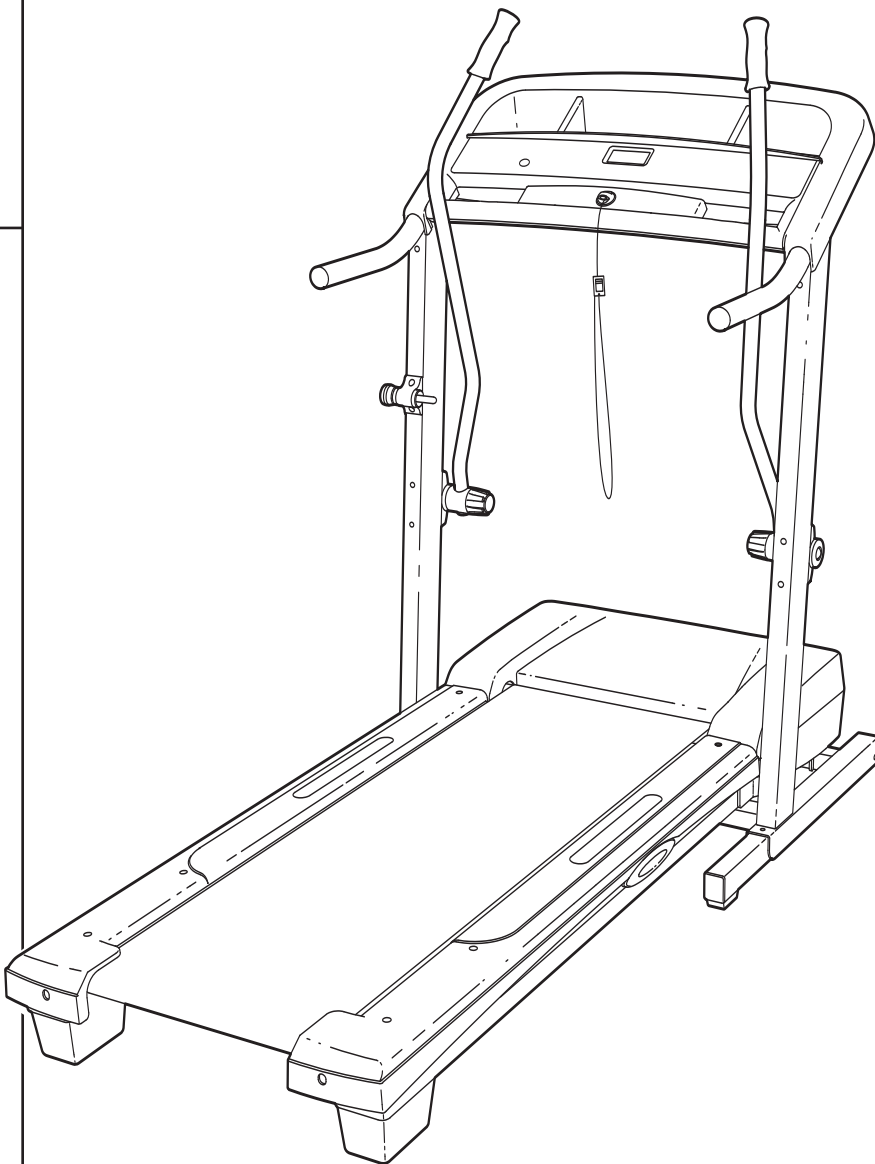


USER'S MANUAL

QUESTIONS?

As a manufacturer, we are committed to providing complete customer satisfaction.

If you have questions, or if there are missing or damaged parts, please contact the establishment where you purchased the treadmill.



CAUTION

Read all precautions and instructions in this manual before using this equipment. Save this manual for future reference.



Visit our website at

www.proform.com

new products, prizes,
fitness tips, and much more!



TABLE OF CONTENTS

IMPORTANT PRECAUTIONS	3
BEFORE YOU BEGIN	5
ASSEMBLY	6
OPERATION AND ADJUSTMENT	10
HOW TO FOLD AND MOVE THE TREADMILL	16
TROUBLESHOOTING	18
CONDITIONING GUIDELINES	20
PART LIST	23
EXPLODED DRAWING	24
ORDERING REPLACEMENT PARTS	Back Cover

IMPORTANT PRECAUTIONS

⚠ WARNING: To reduce the risk of burns, fire, electric shock, or injury to persons, read the following important precautions and information before operating the treadmill.

1. It is the responsibility of the owner to ensure that all users of this treadmill are adequately informed of all warnings and precautions.
2. Use the treadmill only as described.
3. Place the treadmill on a level surface, with at least eight feet of clearance behind it and two feet on each side. Do not place the treadmill on any surface that blocks air openings. To protect the floor or carpet from damage, place a mat under the treadmill.
4. Keep the treadmill indoors, away from moisture and dust. Do not put the treadmill in a garage or covered patio, or near water.
5. Do not operate the treadmill where aerosol products are used or where oxygen is being administered.
6. Keep children under the age of 12 and pets away from the treadmill at all times.
7. The treadmill should be used only by persons weighing 250 pounds or less.
8. Never allow more than one person on the treadmill at a time.
9. Wear appropriate exercise clothes while using the treadmill. Do not wear loose clothes that could become caught in the treadmill. Athletic support clothes are recommended for both men and women. *Always wear athletic shoes; never use the treadmill with bare feet, wearing only stockings, or in sandals.*
10. When connecting the power cord (see page 10), plug the power cord into a surge suppressor (not included) and plug the surge suppressor into a grounded circuit capable of carrying 15 or more amps. No other appliance should be on the same circuit. Do not use an extension cord.
11. Use only a single-outlet surge suppressor that meets all of the specifications described on page 10. To purchase a surge suppressor, please call the telephone number on the warranty card accompanying this manual, or see your local electronics store.
12. Failure to use a properly functioning surge suppressor could result in damage to the control system of the treadmill. If the control system is damaged, the walking belt may change speed, accelerate, or stop unexpectedly, which may result in a fall and serious injury.
13. Keep the power cord and the surge suppressor away from heated surfaces.
14. Never move the walking belt while the power is turned off. Do not operate the treadmill if the power cord or plug is damaged, or if the treadmill is not working properly. (See TROUBLESHOOTING on page 18 if the treadmill is not working properly.)
15. Read, understand, and test the emergency stop procedure before using the treadmill (see HOW TO TURN ON THE POWER on page 11).
16. Never start the treadmill while you are standing on the walking belt. Always hold the handrails or the upper body arms while using the treadmill.
17. The treadmill is capable of high speeds. Adjust the speed in small increments to avoid sudden jumps in speed.
18. The pulse sensor is not a medical device. Various factors, including the user's movement, may affect the accuracy of heart rate readings. The pulse sensor is intended only as an exercise aid in determining heart rate trends in general.
19. Never leave the treadmill unattended while it is running. Always remove the key and unplug the power cord when the treadmill is not in use.
20. Do not attempt to raise, lower, or move the treadmill until it is properly assembled. (See ASSEMBLY on page 6, and HOW TO FOLD AND MOVE THE TREADMILL on page 16.) You must be able to safely lift 45 pounds (20 kg) to raise, lower, or move the treadmill.
21. When folding or moving the treadmill, make sure that the storage latch is fully closed.

22. Inspect and properly tighten all parts of the treadmill regularly.

23. Never insert any object into any opening.

24. **DANGER:** Always unplug the power cord immediately after use, before cleaning the treadmill, and before performing the maintenance and adjustment procedures described in this manual. Never remove the

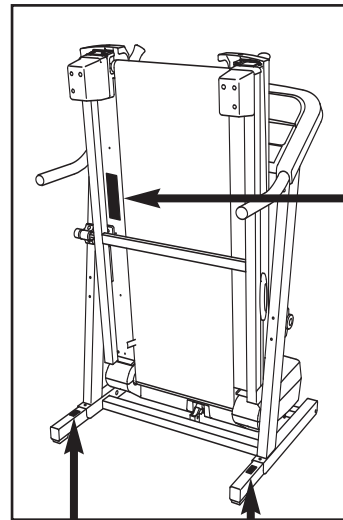
motor hood unless instructed to do so by an authorized service representative. Servicing other than the procedures in this manual should be performed by an authorized service representative only.

25. This treadmill is intended for in-home use only. Do not use this treadmill in a commercial, rental, or institutional setting.

⚠ WARNING: Before beginning this or any exercise program, consult your physician. This is especially important for persons over the age of 35 or persons with pre-existing health problems. Read all instructions before using. ICON assumes no responsibility for personal injury or property damage sustained by or through the use of this product.


SAVE THESE INSTRUCTIONS


The decals shown here have been placed on the treadmill. If a decal is missing or illegible, contact the establishment where you purchased the treadmill and order a free replacement decal. Apply the decal in the location shown. Note: The decals are not shown at actual size.




⚠ CAUTION
KEEP HANDS AND FEET AWAY FROM THIS AREA WHILE THE TREADMILL IS IN OPERATION.

⚠ WARNING:
Protect yourself and others from risk of serious injury. Read the user's manual and :

-  •Stand only on the side rails when starting or stopping treadmill.
- Change speed in small increments.
- Hold handrails to prevent falling, and always wear the safety clip while operating treadmill.
- Stop if you feel faint, dizzy, or short of breath.
- Fully engage storage latch before treadmill is moved or stored.
- Reduce incline to its lowest level before folding treadmill into storage position.

-  •Never allow children on or around treadmill.
- Remove key when not in use.

-  •Keep clothing, fingers, and hair away from moving belt.
- Never try to adjust or fix the belt while it is moving.
- Always wear athletic shoes while operating treadmill.

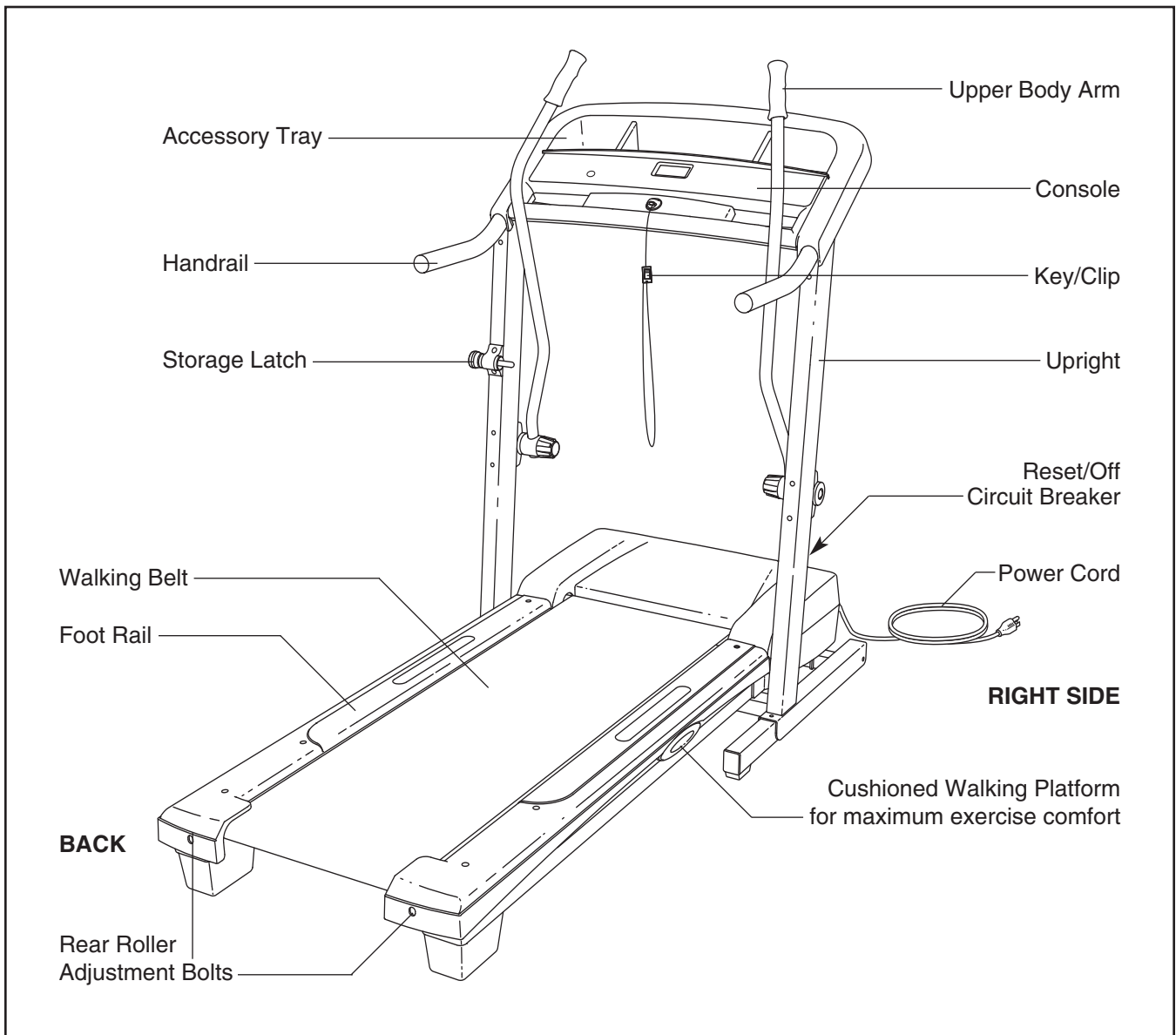
BEFORE YOU BEGIN

Thank you for selecting the new PROFORM® CROSSWALK 425 X treadmill. The CROSSWALK 425 X treadmill combines advanced technology with innovative design to help you get the most from your exercise in the convenience of your home. And when you're not exercising, the CROSSWALK 425 X treadmill can be folded up, requiring less than half the floor space of other treadmills.

For your benefit, read this manual carefully before using the treadmill. If you have questions after read-

ing this manual, please contact the establishment where you purchased the treadmill. To help us assist you, please note the product model number and serial number before calling. The model number of the treadmill is PMTL32706.0. The serial number can be found on a decal attached to the treadmill (see the front cover of this manual for the location).

Before reading further, please review the drawing below and familiarize yourself with the labeled parts.

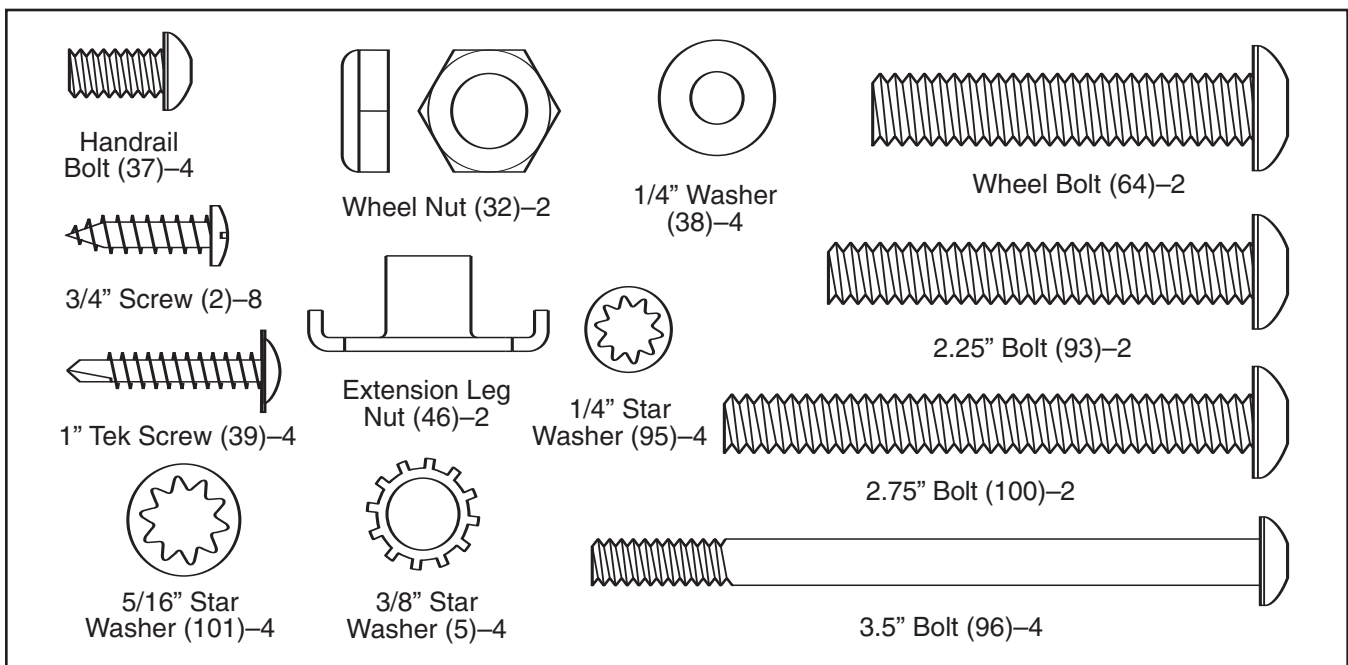


ASSEMBLY

Assembly requires two persons. Set the treadmill in a cleared area and remove all packing materials. Do not dispose of the packing materials until assembly is completed. Note: The underside of the treadmill walking belt is coated with high-performance lubricant. During shipping, a small amount of lubricant may be transferred to the top of the walking belt or the shipping carton. This is a normal condition and does not affect treadmill performance. If there is lubricant on top of the walking belt, simply wipe off the lubricant with a soft cloth and a mild, non-abrasive cleaner.

Assembly requires the included hex keys  **and your own phillips screwdriver** , **rubber mallet** , **and adjustable wrench** .

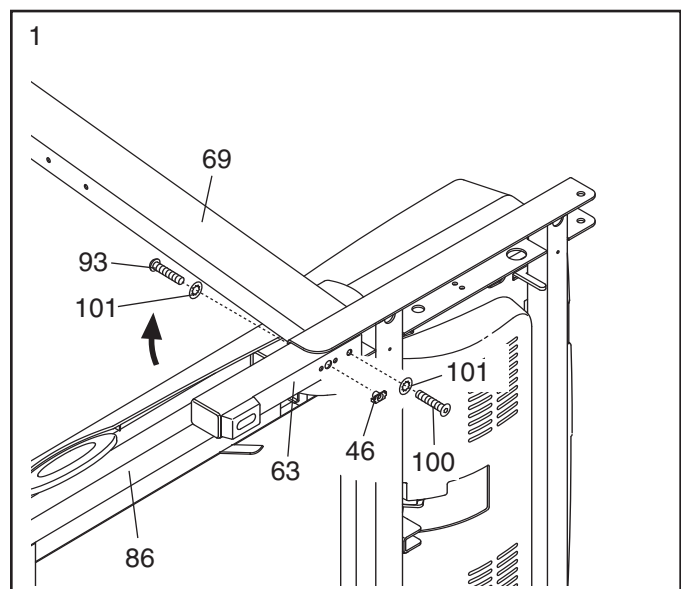
Use the drawings below to identify the assembly hardware. The number in parentheses below each drawing is the key number of the part, from the PART LIST on page 23. The number after the parentheses shows the quantity needed for assembly. Note: If a part is not in the parts bag, check to see if it is preattached to one of the parts to be assembled. **To avoid damaging plastic parts, do not use power tools for assembly.**



1. Make sure that the power cord is unplugged.

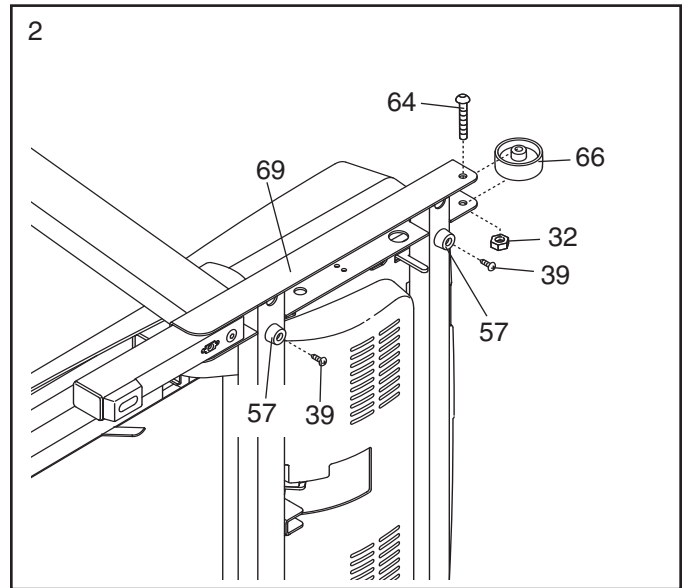
With the help of a second person, carefully tip the treadmill onto its left side as shown. Partially fold the Frame (86) so the treadmill is more stable. **Do not fully fold the frame until the treadmill is completely assembled.**

Insert an Extension Leg (63) into the base of the Uprights (69). Hold an Extension Leg Nut (46) in the bottom of the Extension Leg, and thread a 2.25" Bolt (93) with a 5/16" Star Washer (101) into the top of the Extension Leg. Next, thread a 2.75" Bolt (100) with a 5/16" Star Washer into the bottom of the Extension leg. **Firmly tighten the Bolts.**



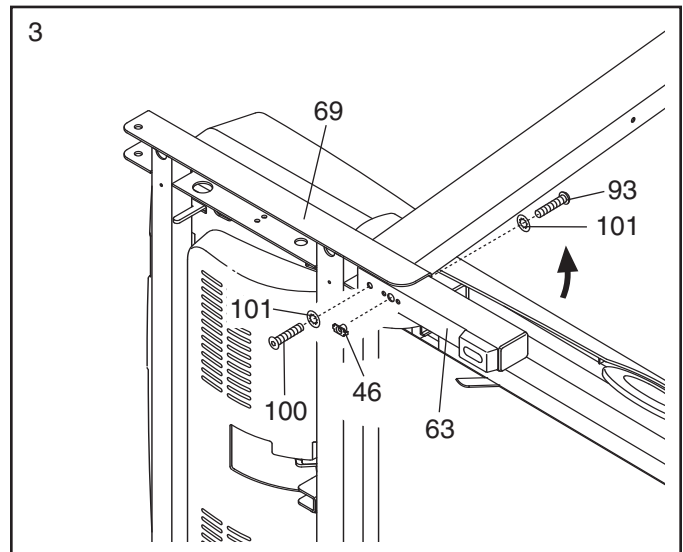
2. Attach two Round Base Pads (57) to the base of the right Upright (69) with two 1" Tek Screws (39).

Attach a Wheel (66) to the base of the right Upright (69) with a Wheel Bolt (64) and a Wheel Nut (32) as shown. **Do not overtighten the Wheel Bolt;** the Wheel should turn freely.



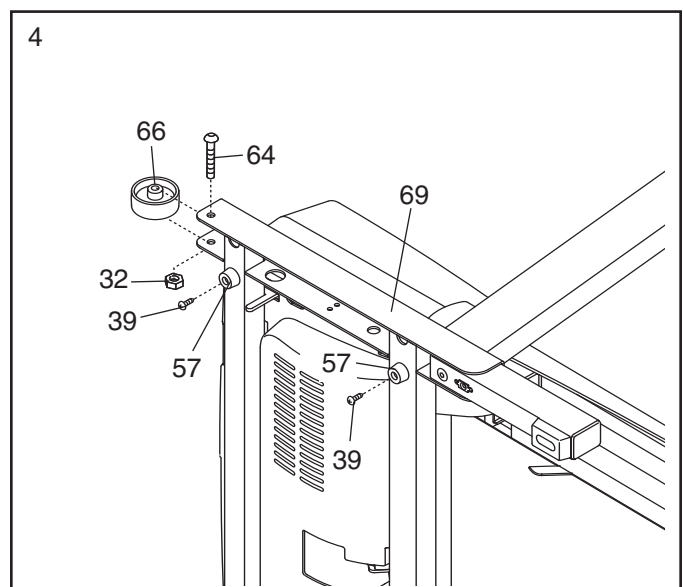
3. With the help of a second person, carefully tip the treadmill onto its right side. **Do not fully fold the frame until the treadmill is completely assembled.**

Insert the other Extension Leg (63) into the base of the Uprights (69). Hold an Extension Leg Nut (46) in the bottom of the Extension Leg, and thread a 2.25" Bolt (93) with a 5/16" Star Washer (101) into the top of the Extension Leg. Next, thread a 2.75" Bolt (100) with a 5/16" Star Washer (101) into the bottom of the Extension leg. **Firmly tighten the Bolts.**



4. Attach two Round Base Pads (57) to the base of the left Upright (69) with two 1" Tek Screws (39).

Attach a Wheel (66) to the base of the left Upright (69) with a Wheel Bolt (64) and a Wheel Nut (32) as shown. **Do not overtighten the Wheel Bolt;** the Wheel should turn freely.



- Set the Console (43) face down on a soft surface to avoid scratching the Console. Next, set one of the Handrails (71) on the Console as shown. Attach the Handrail with three 3/4" Screws (2). **Make sure that the console wire is not pinched. Start all three Screws before tightening any of them. Do not overtighten the Screws.**

Then, attach the other Handrail (not shown) to the other side of the Console (43) as described above.

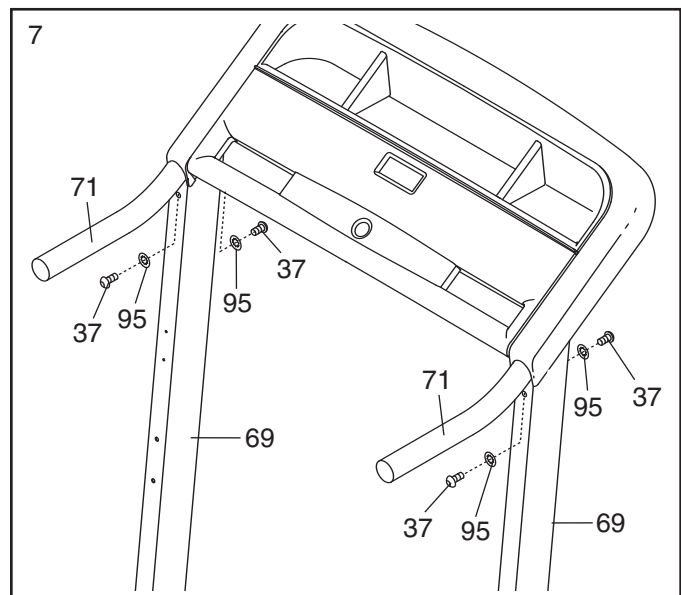
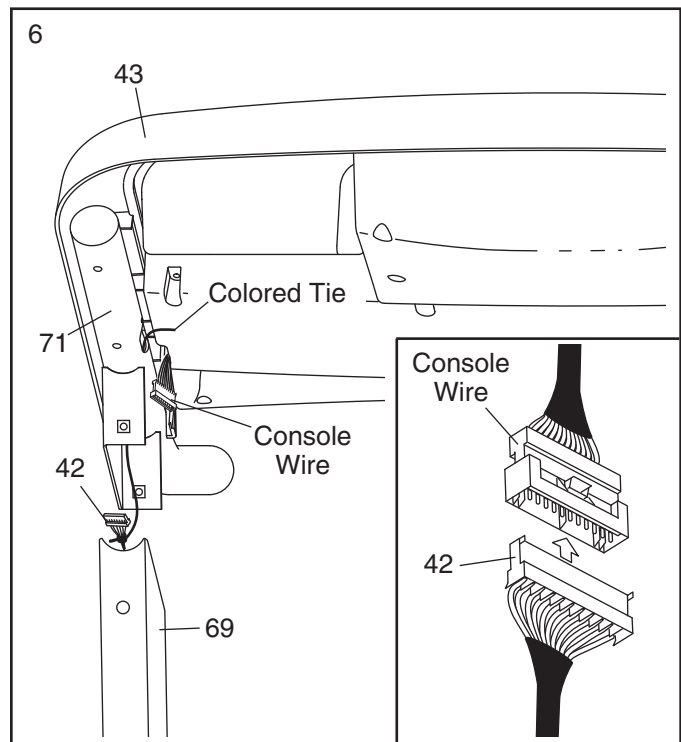
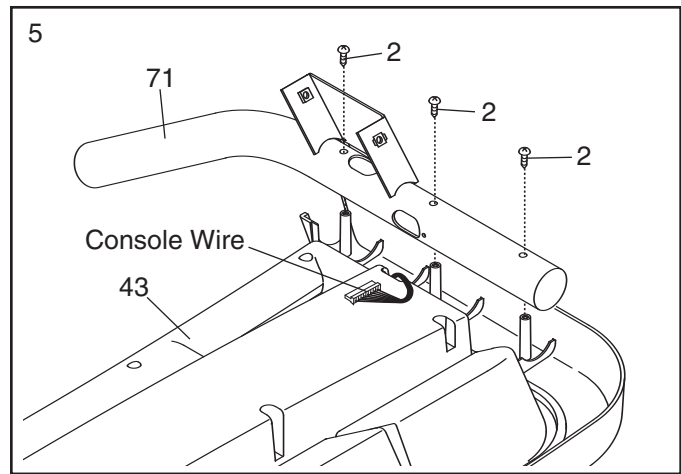
With the help of a second person, raise the Uprights (not shown) to the vertical position.

- Remove the plastic tie securing the Wire Harness (42) to the right Upright (69). Insert the colored tie on the Wire Harness up through the large holes in the right Handrail (71) as shown. Then, pull the Wire Harness up through the holes.

Next, set the Handrails (71) with the Console (43) on the Uprights (69). **Make sure that the Wire Harness (42) and the console wire are not pinched.** Untie and discard the colored wire.

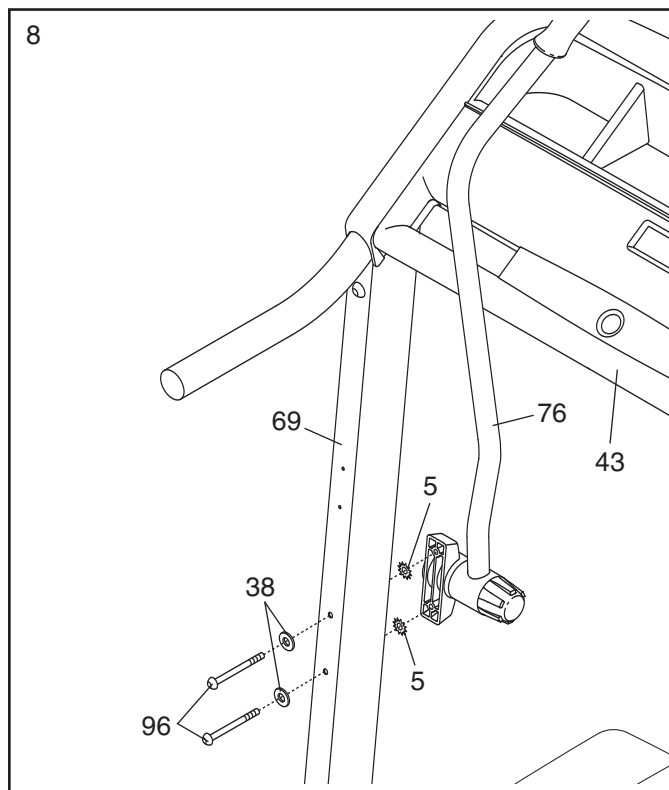
Then, connect the Wire Harness (42) to the console wire. **Make sure to connect the connectors properly (see the inset drawing). The connectors should slide together easily and snap into place.** If the connectors do not slide together easily and snap into place, turn one connector and try again. **IF THE CONNECTORS ARE NOT CONNECTED PROPERLY, THE CONSOLE MAY BE DAMAGED WHEN THE POWER IS TURNED ON.** Insert the connectors and the excess wire into the Console (43).

- Tighten the four Handrail Bolts (37) with the four 1/4" Star Washers (95) into the Uprights (69) and the Handrails (71). **Start all four Handrail Bolts before tightening any of them.**



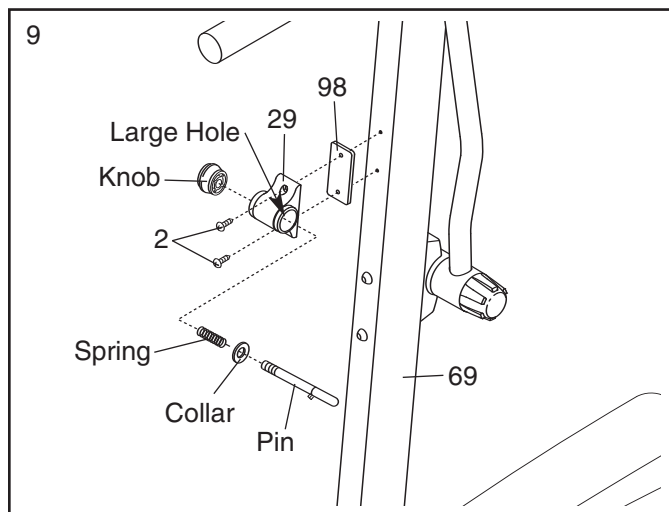
8. Attach the Left Upper Body Arm (76) to the left Upright (69) with two 3.5" Bolts (96), two 1/4" Washers (38), and two 3/8" Star Washers (5) as shown. **Make sure that the Left Upper Body Arm is on the indicated side of the Console (43).**

Attach the Right Upper Body Arm (not shown) to the right Upright (not shown) in the same way.



9. Attach the Latch Housing (29) and the Latch Spacer (98) to the left Upright (69) with two 3/4" Screws (2). **Make sure that the large hole in the Latch Housing is on the side shown. Do not overtighten the Screws.**

Remove the knob from the pin. Make sure that the collar and the spring are on the pin as shown. Insert the pin into the Latch Housing (29), and tighten the knob back onto the pin.



10. **Make sure that all parts are properly tightened before you use the treadmill.** Note: Extra hardware may be included. Keep the included hex keys in a secure place; the large hex key is used to adjust the walking belt (see page 19). To protect the floor or carpet, place a mat under the treadmill.

OPERATION AND ADJUSTMENT

THE PRE-LUBRICATED WALKING BELT

Your treadmill features a walking belt coated with high-performance lubricant. **IMPORTANT: Never apply silicone spray or other substances to the walking belt or the walking platform. Such substances will deteriorate the walking belt and cause excessive wear.**

HOW TO PLUG IN THE POWER CORD

⚠ DANGER: Improper connection of the equipment-grounding conductor can result in an increased risk of electric shock. Check with a qualified electrician or serviceman if you are in doubt as to whether the product is properly grounded. Do not modify the plug provided with the product—if it will not fit the outlet, have a proper outlet installed by a qualified electrician.

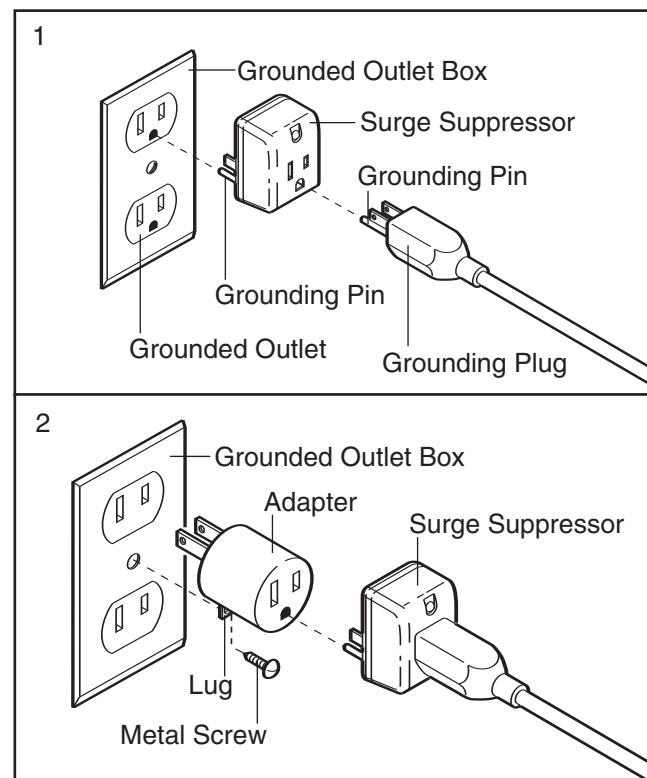
Your treadmill, like any other type of sophisticated electronic equipment, can be seriously damaged by sudden voltage changes in your home's power. Voltage surges, spikes, and noise interference can result from weather conditions or from other appliances being turned on or off. **To decrease the possibility of your treadmill being damaged, always use a surge suppressor with your treadmill (see drawing 1 at the right).** To purchase a surge suppressor, please contact the establishment where you purchased the treadmill.

Use only a single-outlet surge suppressor that is UL 1449 listed as a transient voltage surge suppressor (TVSS). The surge suppressor must have a UL suppressed voltage rating of 400 volts or less and a minimum surge dissipation of 450 joules. The surge suppressor must be electrically rated for 120 volts AC and 15 amps. There must be a monitoring light on the surge suppressor to indicate whether it is functioning properly. Failure to use a properly functioning surge suppressor could result in damage to the control system of the treadmill. If the control system is damaged, the walking belt may change speed, accelerate or stop unexpectedly, which may result in a fall and serious injury.

This product must be grounded. If it should malfunction or break down, grounding provides a path of least resistance for electric current to reduce the risk of electric shock. This product is equipped with a cord having

an equipment-grounding conductor and a grounding plug. **Plug the power cord into a surge suppressor, and plug the surge suppressor into an appropriate outlet that is properly installed and grounded in accordance with all local codes and ordinances. Important: The treadmill is not compatible with GFCI-equipped outlets.**

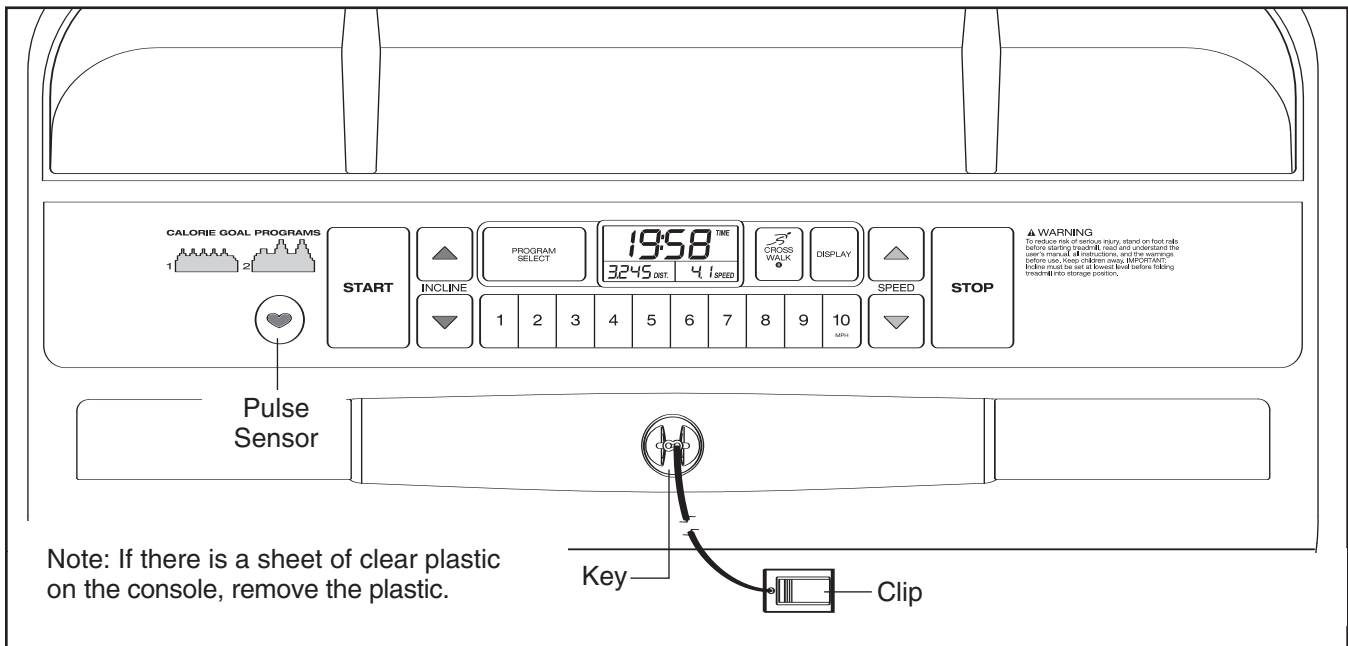
This product is for use on a nominal 120-volt circuit, and has a grounding plug that looks like the plug illustrated in drawing 1 below. A temporary adapter that looks like the adapter illustrated in drawing 2 may be used to connect the surge suppressor to a 2-pole receptacle as shown in drawing 2 if a properly grounded outlet is not available.



The temporary adapter should be used only until a properly grounded outlet (drawing 1) can be installed by a qualified electrician.

The green-colored rigid ear, lug, or the like extending from the adapter must be connected to a permanent ground such as a properly grounded outlet box cover. Whenever the adapter is used it must be held in place by a metal screw. **Some 2-pole receptacle outlet box covers are not grounded. Contact a qualified electrician to determine if the outlet box cover is grounded before using an adapter.**

CONSOLE DIAGRAM



FEATURES OF THE CONSOLE

The treadmill console offers a selection of features designed to make your workouts more effective. During each workout, you can change the speed and incline of the treadmill with the touch of a button. As you exercise, the console will display continuous exercise feedback; you can even measure your heart rate using the built-in pulse sensor.

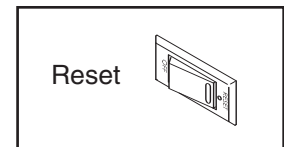
Calorie Goal Programs

As you walk or run on the treadmill, the console will display the approximate number of calories you have burned. If desired, you can set a goal to burn either 300 or 400 calories in a 30-minute workout, and the console will count the calories you burn until you reach your goal.

To use the manual mode of the console, follow the steps beginning on page 12. **To use a calorie goal program**, see page 13.

HOW TO TURN ON THE POWER

Plug in the power cord (see page 10). Next, locate the reset/off circuit breaker on the treadmill frame near the power cord. Make sure that the circuit breaker is in the “reset” position.



Next, stand on the foot rails of the treadmill. Locate the clip attached to the key (see the drawing above), and slide the clip securely onto the waistband of your clothes. Then, insert the key into the console. After a moment, the displays will light. **Important: In an emergency situation, the key can be pulled from the console, causing the walking belt to slow to a stop. Test the clip by carefully taking a few steps backward; if the key is not pulled from the console, adjust the position of the clip.**

Note: To prevent damage to the walking platform, always wear clean shoes while using the treadmill.

HOW TO USE THE MANUAL MODE

1 Insert the key into the console.

See HOW TO TURN ON THE POWER on page 11.

2 Select the manual mode.

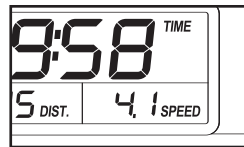
When the key is inserted, the manual mode will be selected. If you have selected a program, reselect the manual mode by pressing the Program Select button once or twice, until only zeros appear in the displays.



3 Start the walking belt.

To start the walking belt, press the Start button, the Speed increase button, or one of the ten numbered buttons.

If the Start button or the Speed increase button is pressed, the walking belt will begin to move at 1 mph. As you exercise, change the speed of the walking belt as desired by pressing the Speed increase and decrease buttons. Each time a button is pressed, the speed setting will change by 0.1 mph; if a button is held down, the speed setting will change in increments of 0.5 mph. Note: After the buttons are pressed, it may take a moment for the walking belt to reach the selected speed setting.



If one of the ten numbered buttons is pressed, the walking belt will gradually increase in speed until it reaches the selected speed setting.

To stop the walking belt, press the Stop button. The time will begin to flash in one of the displays. To restart the walking belt, press the Start button, the Speed increase button, or one of the ten numbered buttons.

4 Change the incline of the treadmill as desired.

To change the incline of the treadmill, press the Incline increase or decrease button until the desired incline level is reached.

5 Follow your progress with the displays.

The lower left display—As you exercise, the lower left display can show the elapsed time and the distance that you have walked or run.



The lower right display—The lower right display can show the speed of the walking belt and the approximate number of calories that you have burned. The display also shows your heart rate when you use the pulse sensor (see step 6).

When you use the treadmill's upper body arms, press the CROSS WALK button so the indicator on the button is lit. The console will then include your upper body exercise as it counts the approximate number of calories you have burned.

The upper display—The upper display can show the elapsed time, the distance that you have walked or run, the speed of the walking belt, or the approximate number of calories you have burned. Press the Display button repeatedly until the upper display shows the information that you are most interested in viewing.

Note: While information is shown in the upper display, the same information will not be shown in the lower left or right display.

To reset the displays, press the Stop button, remove the key, and then reinsert the key.

Note: The console can display speed and distance in either kilometers or miles. To see which unit of measurement is selected, first remove the key, hold down the Stop button, and then reinsert the key into the console; after you hear a tone, release the Stop button. An "M" for metric kilometers or an "E" for English miles will appear in the lower right display. Press the Speed increase button to change the unit of measurement if desired. When the desired unit of measurement is selected, remove the key and then reinsert it.



6 Measure your heart rate if desired.

To measure your heart rate, **stand on the foot rails** and place your left thumb on the pulse sensor (see the drawing at the top of page 11). **Do not press too hard, or the circulation in your thumb will be restricted and your pulse may not be detected.** When your pulse is detected, a heart-shaped indicator in the lower right display will flash each time your heart beats, one or two dashes will appear, and then your heart rate will be shown. **For the most accurate heart rate reading, hold your thumb on the pulse sensor for at least 15 seconds.**

If the displayed heart rate appears to be too high or too low, or if your heart rate is not displayed, lift your thumb for a few seconds, and then reposition your thumb on the pulse sensor. Remember to stand still while measuring your heart rate.

7 When you are finished, remove the key.

Step onto the foot rails, press the Stop button, and **adjust the incline of the treadmill to the lowest setting. The incline must be at the lowest setting or the treadmill will become damaged when it is folded to the storage position.** Next, remove the key from the console and put it in a secure place. Note: If the displays remain lit, the console is in the “demo” mode. See page 14 and turn off the demo mode.

Switch the reset/off circuit breaker to the “off” position and unplug the power cord.

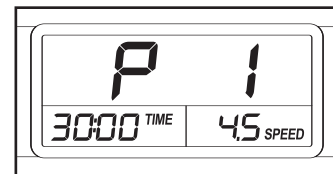
HOW TO USE A CALORIE GOAL PROGRAM

1 Insert the key into the console.

See HOW TO TURN ON THE POWER on page 11.

2 Select a calorie goal program.

To select a calorie goal program, press the Program Select button once or twice. “P 1” or “P 2” will appear in the upper display for a few seconds, and then the calorie goal will appear in the upper display for a few seconds.



When a calorie goal program is selected, the maximum speed setting of the program will flash in one of the displays. Each program lasts for 30 minutes.

3 Press the Start button to start the program.

A moment after the button is pressed, the walking belt will gradually increase in speed until it reaches the first speed setting of the program.

To change the speed of the walking belt or the incline of the treadmill at any time during the program, press the Speed or Incline buttons. Note: If you change the speed of the walking belt, you may not reach your calorie goal.

4 Follow your progress with the displays.

See step 5 on page 12.

5 Measure your heart rate if desired.

See step 6 at the left.

6 When you are finished exercising, remove the key from the console.

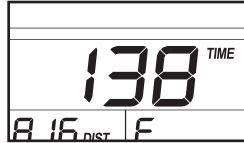
See step 7 at the left.

THE INFORMATION MODE/DEMO MODE

The console features an information mode that keeps track of treadmill usage information and allows you to select a unit of measurement for the console.

To select the information mode, insert the key into the console while holding down the Stop button, and then release the Stop button. When the information mode is selected, the following information will be shown:

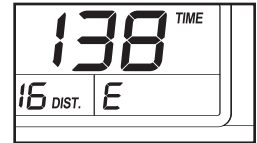
The upper display will show the total number of hours that the treadmill has been used.



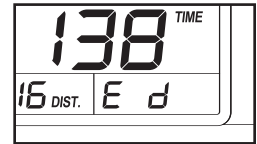
The lower left display will show the total number of miles (or kilometers) that the walking belt has moved.



An “E” (for English) or an “M” (for metric) will appear in the lower right display. Press the Speed increase button to change the unit of measurement, if desired.



IMPORTANT: If a “d” appears in the lower right display, the console is in the “demo” mode. This mode is intended to be used only when a treadmill is displayed in a store. When the console is in the demo mode, the power cord can be plugged in, the key can be removed from the console, and the displays will remain lit; the buttons will not operate. **If a “d” appears when the information mode is selected, press the Speed decrease button so the “d” disappears.**

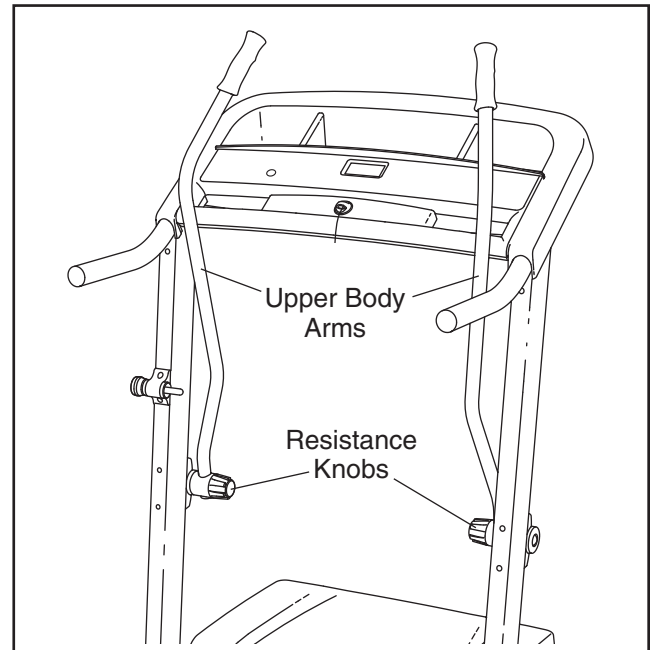


To exit the information mode, remove the key from the console.

HOW TO USE THE UPPER BODY ARMS

As you walk on the treadmill, you can hold the handrails or use the upper body arms. To exercise your arms, shoulders, and back for a total body workout, move the upper body arms forward and back as you walk on the treadmill.

To vary the intensity of your upper body exercise, the resistance of the upper body arms can be adjusted. To increase the resistance, turn the resistance knobs clockwise; to decrease the resistance, turn the knobs counterclockwise.

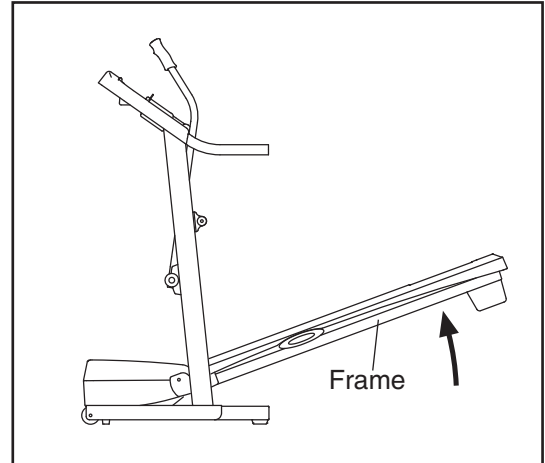


HOW TO FOLD AND MOVE THE TREADMILL

HOW TO FOLD THE TREADMILL FOR STORAGE

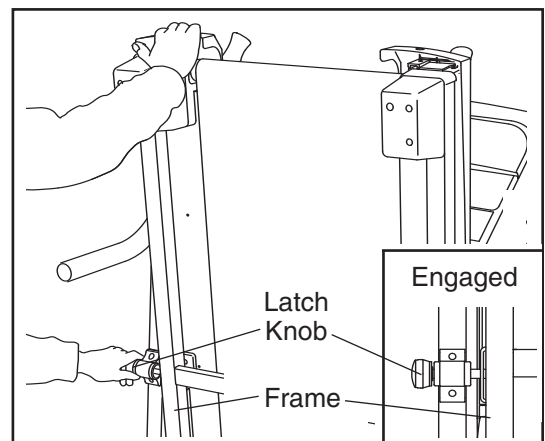
Before folding the treadmill, adjust the incline to the lowest position. If this is not done, the treadmill may be permanently damaged. Next, unplug the power cord. **CAUTION:** You must be able to safely lift 45 pounds (20 kg) to raise, lower, or move the treadmill.

1. Hold the metal frame firmly in the location shown by the arrow at the right. **CAUTION:** To decrease the possibility of injury, do not lift the frame by the plastic foot rails. Make sure to bend your legs and keep your back straight. As you raise the frame, make sure to lift with your legs rather than with your back. Raise the frame about halfway to the vertical position.



2. Move your right hand to the position shown and hold the treadmill firmly. Using your left hand, pull the latch knob to the left and hold it. Raise the frame until the hole in the frame is aligned with the latch pin. Slowly release the latch knob; make sure that the latch pin is fully inserted into the hole in the frame.

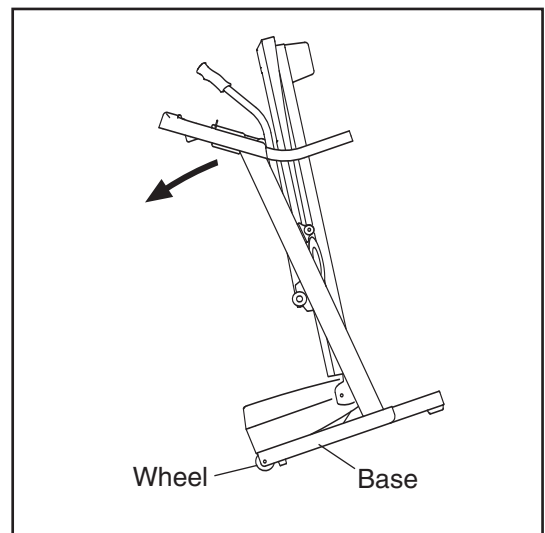
To protect the floor or carpet from damage, place a mat under the treadmill. Keep the treadmill out of direct sunlight. Do not leave the treadmill in the storage position in temperatures above 85° Fahrenheit.



HOW TO MOVE THE TREADMILL

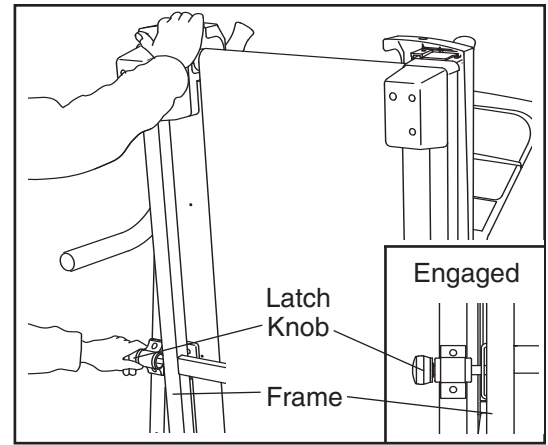
Before moving the treadmill, convert the treadmill to the storage position as described above. **Make sure that the latch pin is fully inserted into the hole in the frame.**

1. Hold the upper ends of the handrails, and place one foot against one of the wheels.
2. Tilt the treadmill backward until it rolls freely on the wheels. Carefully move the treadmill to the desired location. **To reduce the risk of injury, use extreme caution while moving the treadmill. Do not move the treadmill over an uneven surface.**
3. Place one foot against one of the wheels, and carefully lower the treadmill until it is resting in the storage position.

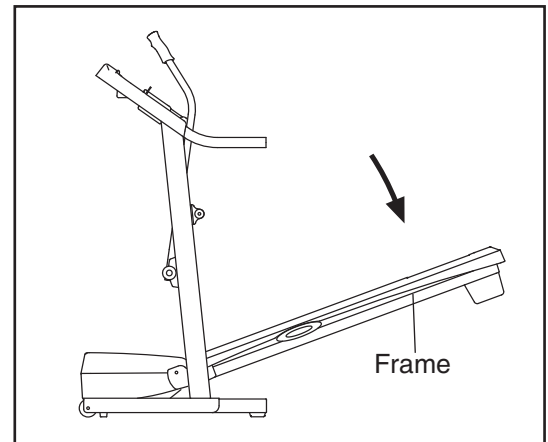


HOW TO LOWER THE TREADMILL FOR USE

1. Hold the treadmill with your right hand as shown. Pull the latch knob to the left and hold it. Pivot the frame downward until it is past the latch pin.



2. Hold the metal frame firmly with both hands, and lower it to the floor. **CAUTION: To decrease the possibility of injury, do not lower the frame by gripping only the plastic foot rails. Do not drop the frame to the floor. Make sure to bend your legs and keep your back straight.**



TROUBLESHOOTING

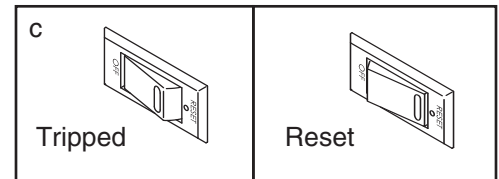
Most treadmill problems can be solved by following the steps below. Find the symptom that applies, and follow the steps listed. If further assistance is needed, please contact the establishment where you purchased the treadmill.

PROBLEM: The power does not turn on

SOLUTION: a. Make sure that the power cord is plugged into a surge suppressor, and that the surge suppressor is plugged into a properly grounded outlet (see page 10). Use only a single-outlet surge suppressor that meets all of the specifications described on page 10. Important: The treadmill is not compatible with GFCI-equipped outlets.

b. After the power cord has been plugged in, make sure that the key is inserted into the console.

c. Check the reset/off circuit breaker located on the treadmill frame near the power cord. If the switch protrudes as shown, the circuit breaker has tripped. To reset the circuit breaker, wait for five minutes and then press the switch back in.



PROBLEM: The power turns off during use

SOLUTION: a. Check the circuit breaker located on the treadmill frame near the power cord (see the drawing above). If the circuit breaker has tripped, wait for five minutes and then press the switch back in.

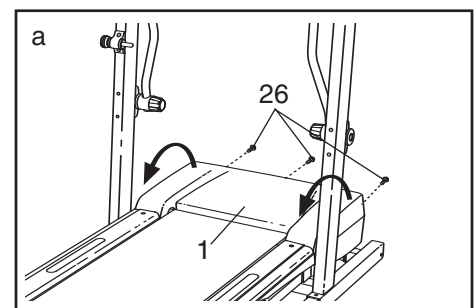
b. Make sure that the power cord is plugged in. If the power cord is plugged in, unplug it, wait for five minutes, and then plug it back in.

c. Remove the key from the console. Reinsert the key into the console.

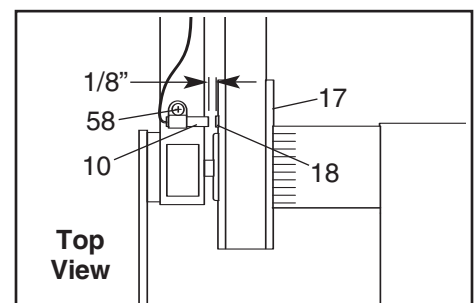
d. If the treadmill still will not run, please contact the establishment where you purchased the treadmill.

PROBLEM: The displays of the console do not function properly

SOLUTION: a. Remove the key from the console and **UNPLUG THE POWER CORD**. Remove the Screws (26) from the Hood (1), and carefully pivot the Hood off.



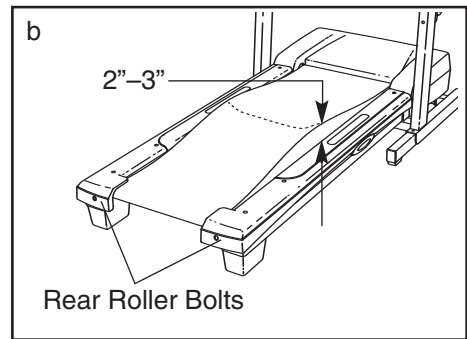
Locate the Reed Switch (10) and the Magnet (18) on the left side of the Pulley (17). Turn the Pulley until the Magnet is aligned with the Reed Switch. **Make sure that the gap between the Magnet and the Reed Switch is about 1/8"**. If necessary, loosen the Screw (2), move the Reed Switch slightly, and then retighten the Screw. Reattach the Hood (not shown), and run the treadmill for a few minutes to check for a correct speed reading.



PROBLEM: The walking belt slows when walked on

SOLUTION: a. Use only a single-outlet surge suppressor that meets all of the specifications described on page 10.

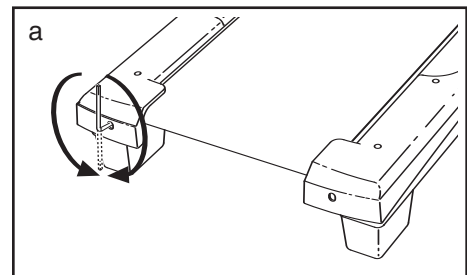
- b. If the walking belt is overtightened, treadmill performance may decrease and the walking belt may become damaged. Remove the key and **UNPLUG THE POWER CORD**. Using the hex key, turn both rear roller bolts counterclockwise, 1/4 of a turn. When the walking belt is properly tightened, you should be able to lift each edge of the walking belt 2 to 3 inches off the walking platform. Be careful to keep the walking belt centered. Then, plug in the power cord, insert the key, and run the treadmill for a few minutes. Repeat until the walking belt is properly tightened.



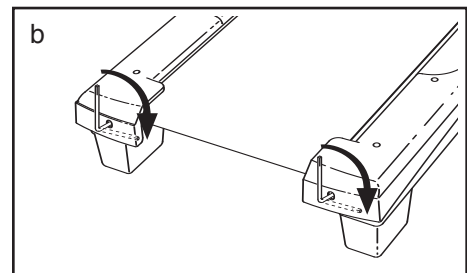
- c. If the walking belt still slows when walked on, please contact the establishment where you purchased the treadmill.

PROBLEM: The walking belt is off-center or slips when walked on

SOLUTION: a. If the walking belt is off-center, first remove the key and **UNPLUG THE POWER CORD**. **If the walking belt has shifted to the left**, use the hex key to turn the left rear roller bolt clockwise 1/2 of a turn; **if the walking belt has shifted to the right**, turn the left bolt counterclockwise 1/2 of a turn. Be careful not to overtighten the walking belt. Then, plug in the power cord, insert the key, and run the treadmill for a few minutes. Repeat until the walking belt is centered.

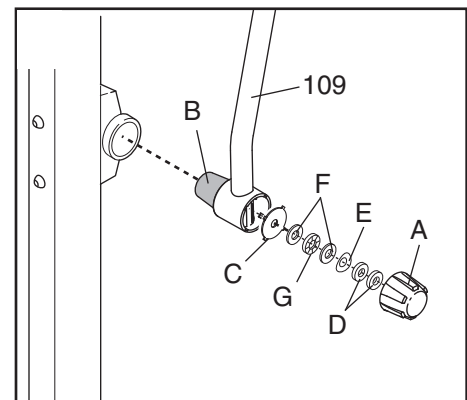


- b. If the walking belt slips when walked on, first remove the key and **UNPLUG THE POWER CORD**. Using the hex key, turn both rear roller bolts clockwise, 1/4 of a turn. When the walking belt is correctly tightened, you should be able to lift each edge of the walking belt 2 to 3 inches off the walking platform. Be careful to keep the walking belt centered. Then, plug in the power cord, insert the key, and carefully walk on the treadmill for a few minutes. Repeat until the walking belt is properly tightened.



PROBLEM: The upper body arms squeak during use

SOLUTION: a. (Note: Correcting this problem requires a small amount of white marine grease, available at hardware stores.) Turn the Resistance Knob (A) counterclockwise and remove it. Next, remove the Resistance Cone (B) and the Upper Body Arm (109), along with the Resistance Plate (C), Washers (D), Spring Washer (E), Thrust Washers (F), and Thrust Bearing (G). (Note: If the Resistance Plate [C] comes out of the Resistance Cone [B], press it back in.) Apply a **thin layer** of white marine grease to the outer surface of the Resistance Cone (B). Then, reattach all parts in the order shown at the right.



CONDITIONING GUIDELINES

⚠️ WARNING: Before beginning this or any exercise program, consult your physician. This is especially important for individuals over the age of 35 or individuals with pre-existing health problems.

The pulse sensor is not a medical device. Various factors, including the user's movement, may affect the accuracy of heart rate readings. The pulse sensor is intended only as an exercise aid in determining heart rate trends in general.

The following guidelines will help you to plan your exercise program. For more detailed exercise information, obtain a reputable book or consult your physician.

EXERCISE INTENSITY

Whether your goal is to burn fat or to strengthen your cardiovascular system, the key to achieving the desired results is to exercise with the proper intensity. The proper intensity level can be found by using your heart rate as a guide. The chart below shows recommended heart rates for fat burning and aerobic exercise.

♥	165	155	145	140	130	125	115
♥	145	138	130	125	118	110	103
♥	125	120	115	110	105	95	90
	20	30	40	50	60	70	80

To find the proper heart rate for you, first find your age near the bottom of the chart (ages are rounded off to the nearest ten years). Next, find the three numbers above your age. The three numbers define your "training zone." The lower two numbers are recommended heart rates for fat burning; the higher number is the recommended heart rate for aerobic exercise.

Fat Burning

To burn fat effectively, you must exercise at a relatively low intensity level for a sustained period of time. During the first few minutes of exercise, your body uses easily accessible *carbohydrate calories* for energy. Only after the first few minutes does your body begin to use stored *fat calories* for energy. If your goal

is to burn fat, adjust the speed and incline of the treadmill until your heart rate is near the lowest number in your training zone.

For maximum fat burning, adjust the speed and incline of the treadmill until your heart rate is near the middle number in your training zone.

Aerobic Exercise

If your goal is to strengthen your cardiovascular system, your exercise must be "aerobic." Aerobic exercise is activity that requires large amounts of oxygen for prolonged periods of time. This increases the demand on the heart to pump blood to the muscles, and on the lungs to oxygenate the blood. For aerobic exercise, adjust the speed and incline of the treadmill until your heart rate is near the highest number in your training zone.

WORKOUT GUIDELINES

Each workout should include the following three parts:

A Warm-up—Start each workout with 5 to 10 minutes of stretching and light exercise. A proper warm-up increases your body temperature, heart rate and circulation in preparation for exercise.

Training Zone Exercise—After warming up, increase the intensity of your exercise until your pulse is in your training zone for 20 to 60 minutes. (During the first few weeks of your exercise program, do not keep your pulse in your training zone for longer than 20 minutes.) Breathe regularly and deeply as you exercise—never hold your breath.

A Cool-down—Finish each workout with 5 to 10 minutes of stretching to cool down. This will increase the flexibility of your muscles and will help prevent post-exercise problems.

EXERCISE FREQUENCY

To maintain or improve your condition, complete three workouts each week, with at least one day of rest between workouts. After a few months, you may complete up to five workouts each week if desired. The key to success is to make exercise a regular and enjoyable part of your everyday life.

SUGGESTED STRETCHES

The correct form for several basic stretches is shown at the right. Move slowly as you stretch—never bounce.

1. Toe Touch Stretch

Stand with your knees bent slightly and slowly bend forward from your hips. Allow your back and shoulders to relax as you reach down toward your toes as far as possible. Hold for 15 counts, then relax. Repeat 3 times. Stretches: Hamstrings, back of knees and back.

2. Hamstring Stretch

Sit with one leg extended. Bring the sole of the opposite foot toward you and rest it against the inner thigh of your extended leg. Reach toward your toes as far as possible. Hold for 15 counts, then relax. Repeat 3 times for each leg. Stretches: Hamstrings, lower back and groin.

3. Calf/Achilles Stretch

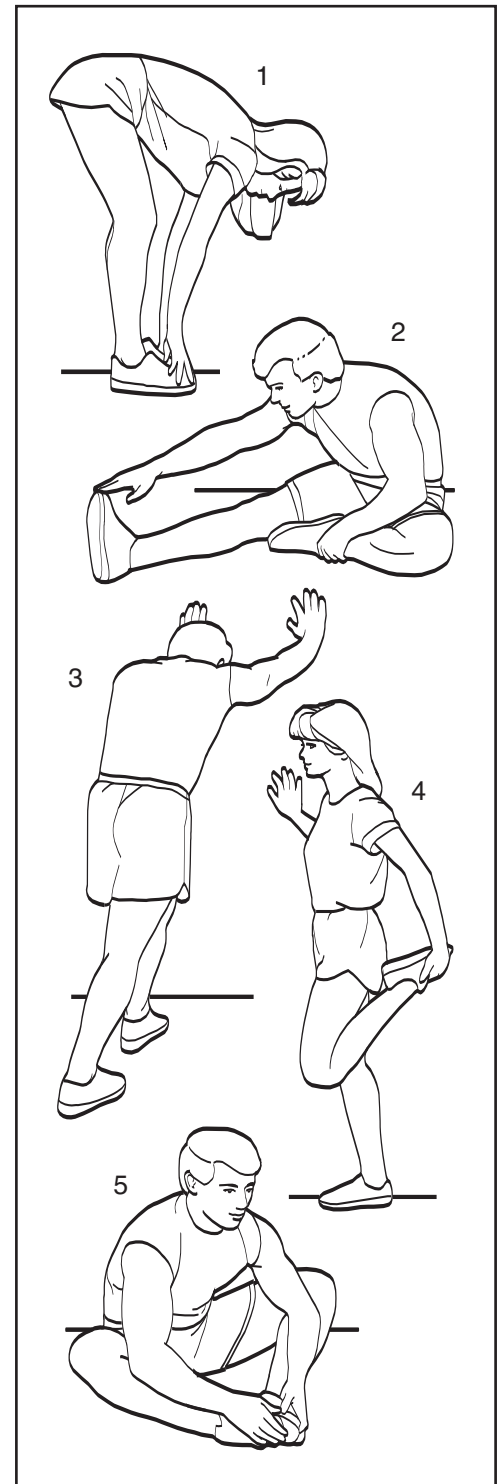
With one leg in front of the other, reach forward and place your hands against a wall. Keep your back leg straight and your back foot flat on the floor. Bend your front leg, lean forward and move your hips toward the wall. Hold for 15 counts, then relax. Repeat 3 times for each leg. To cause further stretching of the achilles tendons, bend your back leg as well. Stretches: Calves, achilles tendons and ankles.

4. Quadriceps Stretch

With one hand against a wall for balance, reach back and grasp one foot with your other hand. Bring your heel as close to your buttocks as possible. Hold for 15 counts, then relax. Repeat 3 times for each leg. Stretches: Quadriceps and hip muscles.

5. Inner Thigh Stretch

Sit with the soles of your feet together and your knees outward. Pull your feet toward your groin area as far as possible. Hold for 15 counts, then relax. Repeat 3 times. Stretches: Quadriceps and hip muscles.



NOTES

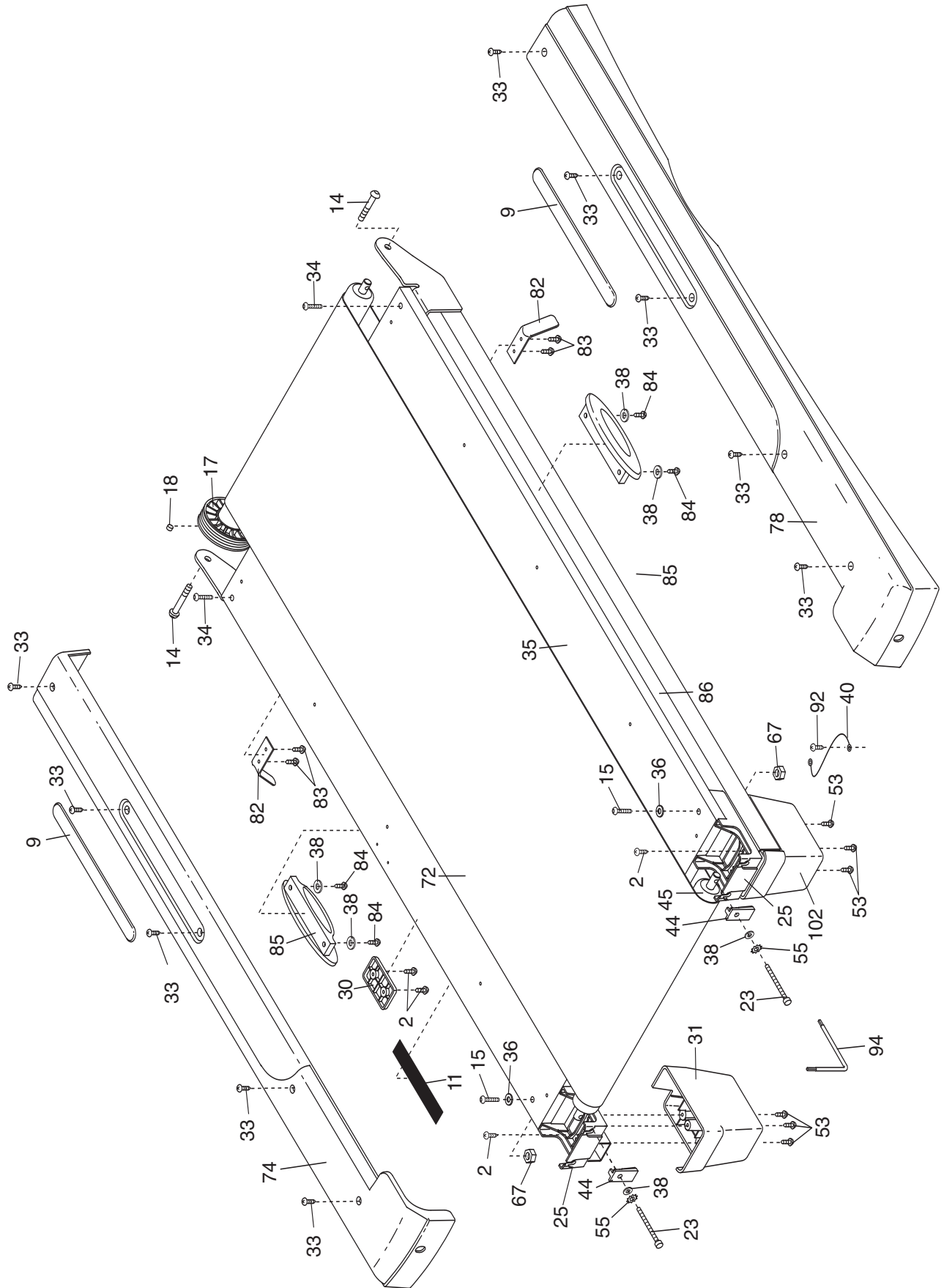
PART LIST—Model No. PMTL32706.0

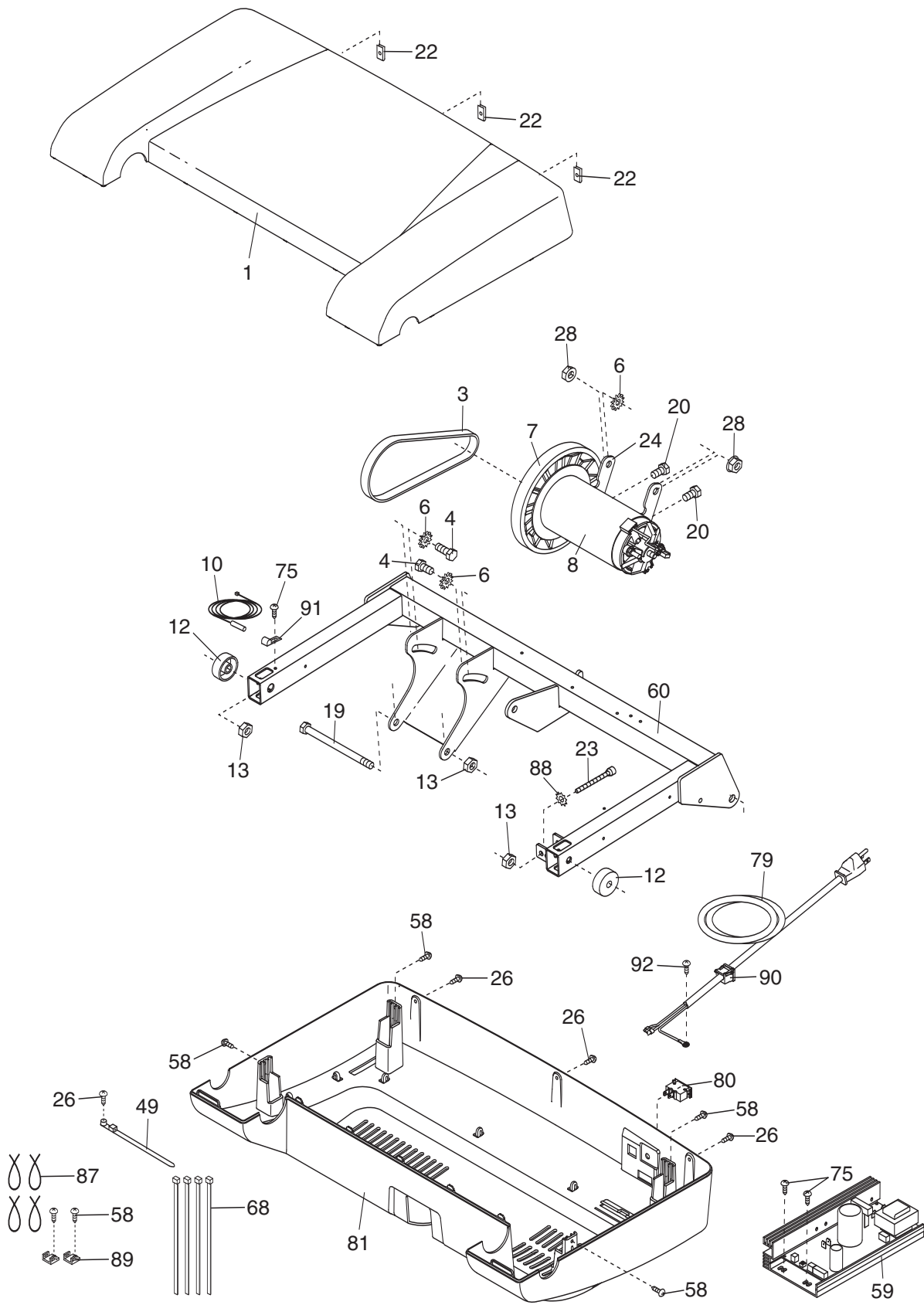
R0606A

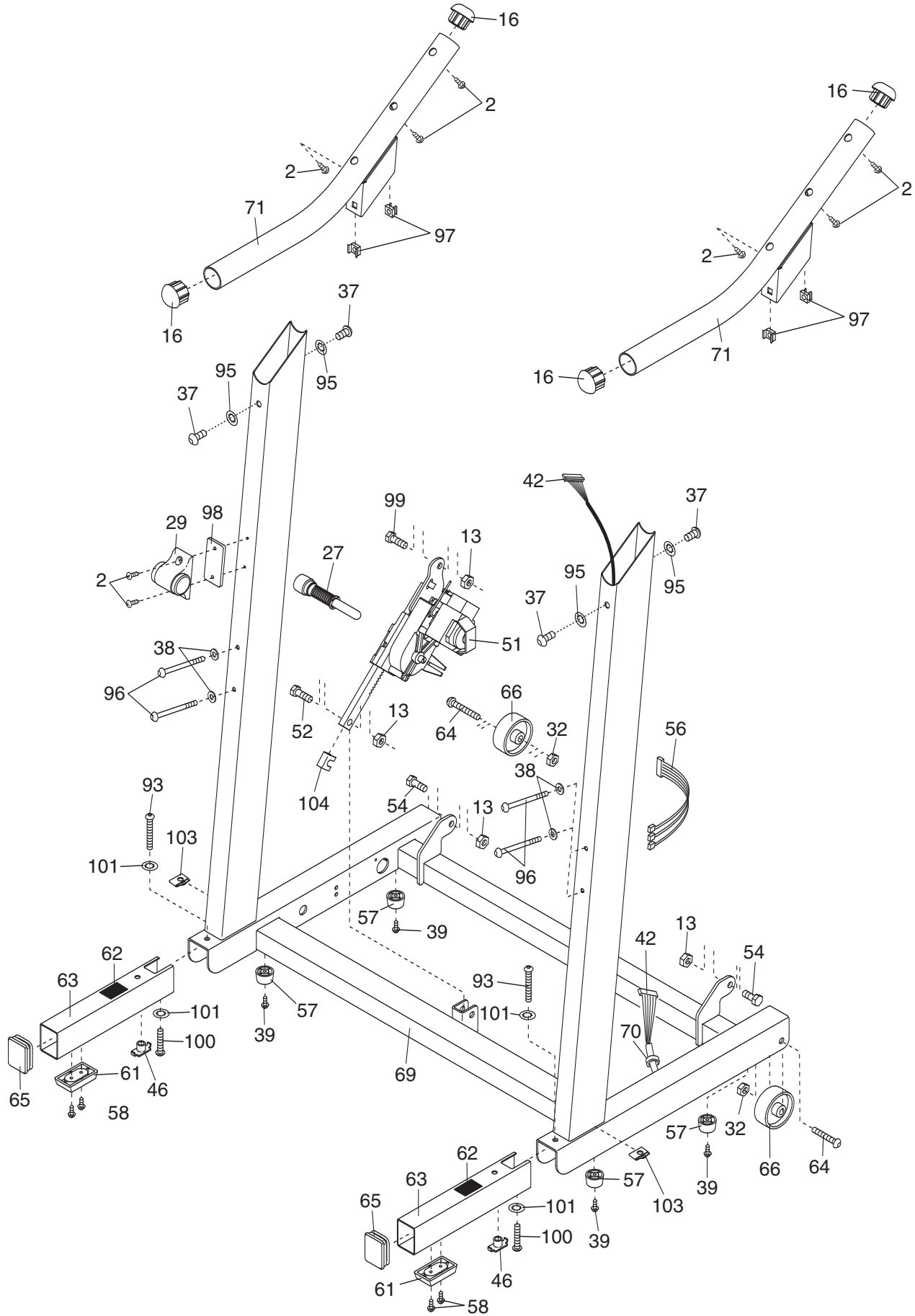
Key No.	Qty.	Description	Key No.	Qty.	Description	Key No.	Qty.	Description
1	1	Hood	40	1	Ground Wire	78	1	Right Foot Rail
2	22	3/4" Screw	41	2	Resistance Assembly	79	1	Power Cord Assembly
3	1	Motor Belt	42	1	Wire Harness	80	1	Reset/Off
4	2	Motor Tension Bolt	43	1	Console			Circuit Breaker
5	4	3/8" Star Washer	44	2	Rear Roller Plate	81	1	Belly Pan
6	3	Motor Star Washer	45	1	Rear Roller	82	2	Belt Guide
7	1	Flywheel	46	2	Extension Leg Nut	83	4	Belt Guide Screw
8	1	Drive Motor	47	1	Console Base	84	4	Isolator Screw
9	2	Foot Rail Cover	48	2	Upper Body Arm	85	2	Isolator Cushion
10	1	Reed Switch			Insert	86	1	Frame
11	1	Latch Warning Decal	49	1	Wire Clamp	87	2	Releasable Tie
12	2	Frame Spacer	50	1	Key/Clip	88	1	Front Roller
13	5	Frame Pivot	51	1	Incline Motor			Star Washer
		Nut/Motor Nut	52	1	Incline Motor Bolt,	89	2	Cable Tie Clamp
14	2	Frame Pivot Bolt			Lower	90	1	Power Cord Grommet
15	2	Walking Platform	53	6	Rear Foot Screw/ Screw, Rear	91	1	Sensor Clip
16	4	Handrail Endcap	54	2	Incline Pivot Bolt	92	2	Ground Wire Screw
17	1	Front Roller/Pulley	55	2	Rear Roller	93	2	2.25" Bolt
18	1	Magnet			Lock Washer	94	1	Hex Key
19	1	Motor Pivot Bolt	56	1	Motor Controller Wire	95	4	1/4" Star Washer
20	2	Motor Bracket Bolt	57	4	Round Base Pad	96	4	3.5" Bolt
21	1	Right Upper Body	58	10	3/4" Tek Screw	97	4	Cage Nut
		Arm w/Grip	59	1	Controller	98	1	Latch Spacer
22	3	Hood Clip	60	1	Lift Frame	99	1	Incline Motor Bolt, Upper
23	3	Roller Adjustment Bolt	61	2	Extension Leg Pad	100	2	2.75" Bolt
24	1	Motor Mount Bracket	62	2	Caution Decal	101	4	5/16" Star Washer
25	2	Rear Roller Bracket	63	2	Extension Leg	102	1	Right Rear Foot
26	3	Hood Screw	64	2	Wheel Bolt	103	2	U-nut
27	1	Latch Assembly	65	2	Base Endcap	104	1	Stop Bracket
28	2	Motor Tension Nut	66	2	Wheel	105	1	Console Lens
29	1	Latch Housing	67	2	Nut	#	1	1 4" Black Wire, M/F
30	1	Latch Catch	68	4	8" Cable Tie	#	1	8" Green Wire, F/R
31	1	Left Rear Foot	69	1	Upright	#	1	4" Blue Wire, 2F
32	2	Wheel Nut	70	1	Grommet	#	1	4" Red Wire, M/F
33	10	Foot Rail Screw	71	2	Handrail	#	1	User's Manual
34	2	Walking Platform	72	1	Walking Belt			
		Screw, Front	73	2	1/4" Star Washer			# These parts are not illustrated
35	1	Walking Platform	74	1	Left Foot Rail			
36	2	Platform Washer	75	2	Silver Ground Screw			
37	4	Handrail Bolt	76	1	Left Upper Body			
38	6	1/4" Washer			Arm w/Grip			
39	4	1" Tek Screw	77	2	Hand Grip			

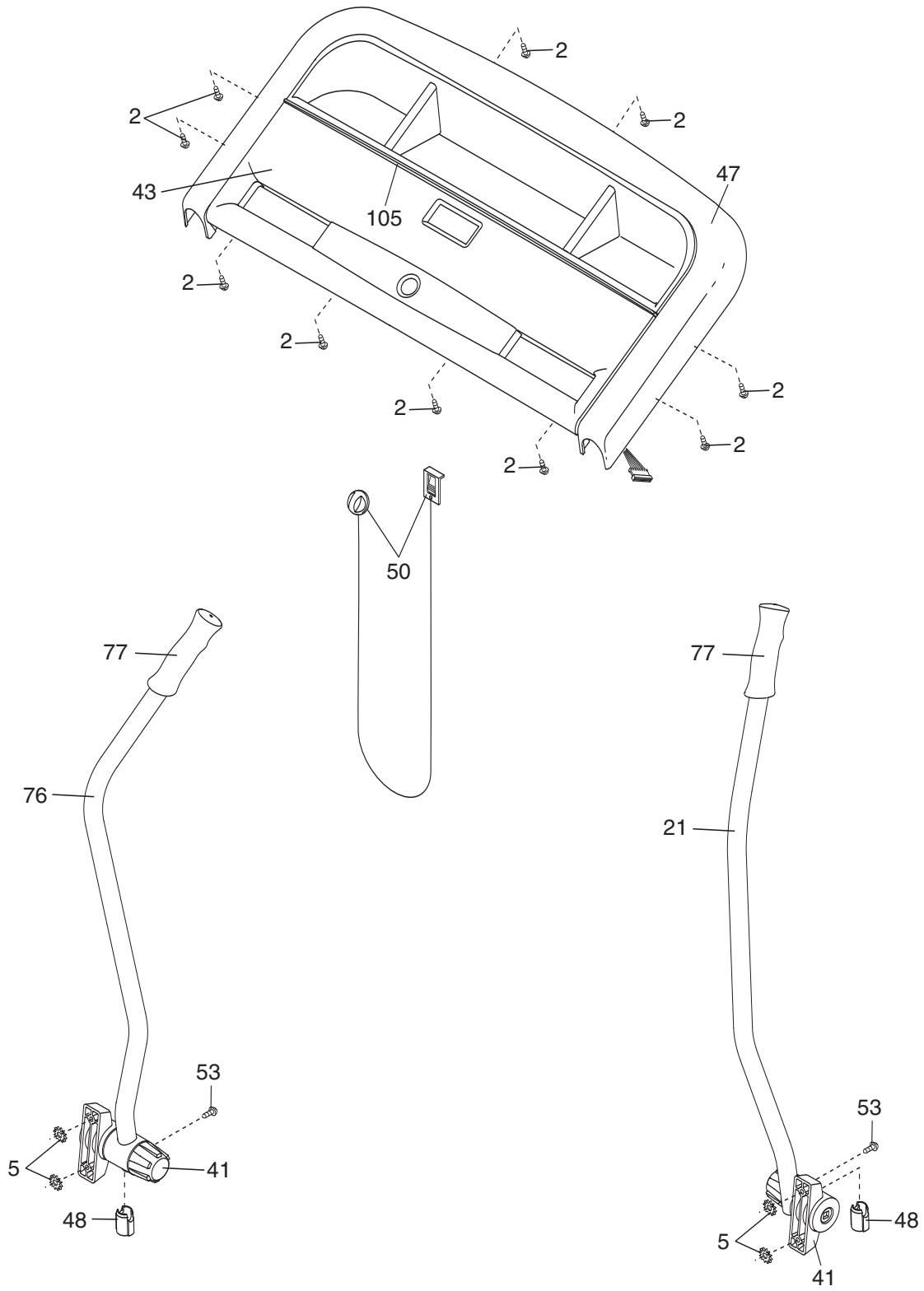
EXPLODED DRAWING—Model No. PMTL32706.0

R0606A









HOW TO ORDER REPLACEMENT PARTS

To order replacement parts, please contact the establishment where you purchased the treadmill. When calling, please be prepared to provide the following information:

- the MODEL NUMBER of the product (PMTL32706.0)
- the NAME of the product (PROFORM CROSSWALK 425 X treadmill)
- the SERIAL NUMBER of the product (see the front cover of this manual)
- the KEY NUMBER AND DESCRIPTION OF THE PART(S) (see the EXPLODED DRAWING and the PART LIST on pages 23 to 27)

Free Manuals Download Website

<http://myh66.com>

<http://usermanuals.us>

<http://www.somanuals.com>

<http://www.4manuals.cc>

<http://www.manual-lib.com>

<http://www.404manual.com>

<http://www.luxmanual.com>

<http://aubethermostatmanual.com>

Golf course search by state

<http://golfingnear.com>

Email search by domain

<http://emailbydomain.com>

Auto manuals search

<http://auto.somanuals.com>

TV manuals search

<http://tv.somanuals.com>