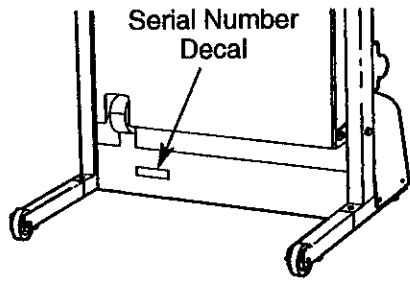


# PRO-FORM 495 LS CROSSWALK

Model No. 831.291710

Serial No. \_\_\_\_\_



EXERCISE  
EQUIPMENT

QUESTIONS

HELPLINE!

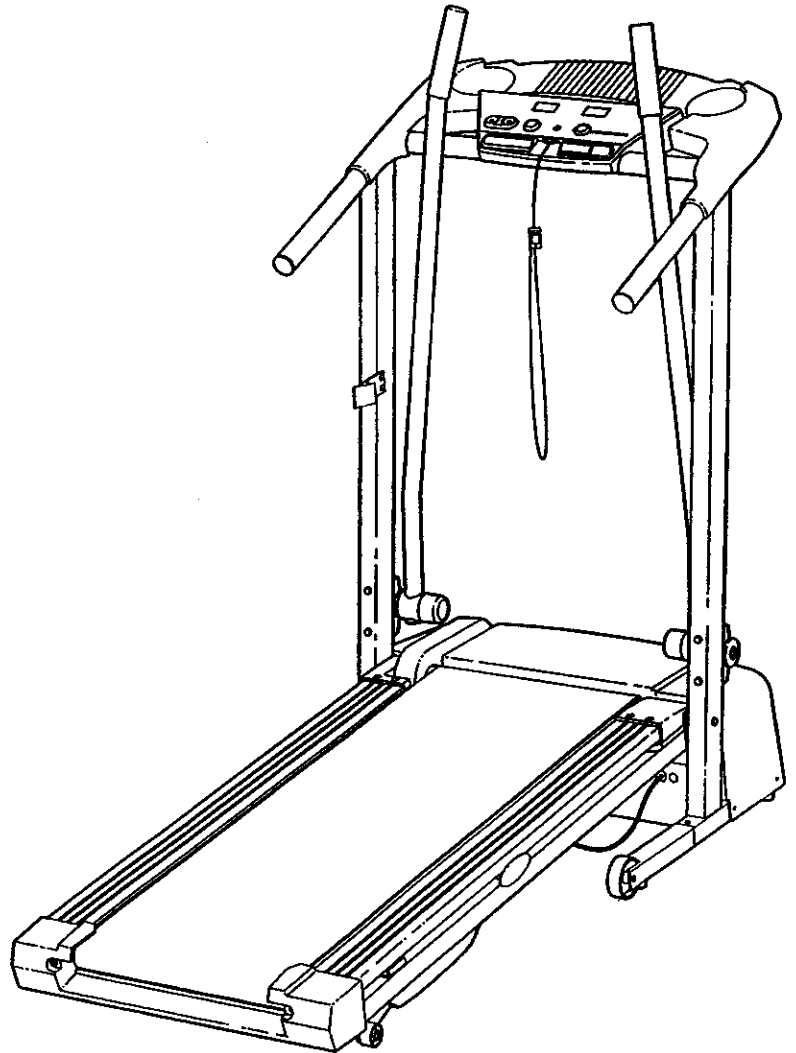
1-800-736-6879

SEARS, ROEBUCK AND CO.  
HOFFMAN ESTATES, IL 60179

## CAUTION

Read all precautions and instructions in this manual before using this equipment. Save this manual for future reference.

## USER'S MANUAL



Visit our website at

[www.proform.com](http://www.proform.com)

*new products, prizes,  
fitness tips, and much more!*

# TABLE OF CONTENTS

IMPORTANT PRECAUTIONS .....	2
BEFORE YOU BEGIN .....	4
ASSEMBLY .....	5
OPERATION AND ADJUSTMENT .....	7
HOW TO FOLD AND MOVE THE TREADMILL .....	10
TROUBLESHOOTING .....	12
CONDITIONING GUIDELINES .....	14
ORDERING REPLACEMENT PARTS .....	Back Cover
FULL 90 DAY WARRANTY .....	Back Cover

Note: An EXPLODED DRAWING and a PART LIST are attached in the center of this manual. Save the EXPLODED DRAWING and PART LIST for future reference.

## IMPORTANT PRECAUTIONS

**⚠ WARNING:** To reduce the risk of burns, fire, electric shock, or injury to persons, read the following important precautions and information before operating the treadmill.

1. It is the responsibility of the owner to ensure that all users of this treadmill are adequately informed of all warnings and precautions.
2. Use the treadmill only as described.
3. Place the treadmill on a level, hard, dry surface with a minimum of clearance from both sides and wheels on each side. Do not place the treadmill on a surface that blocks any air openings. To protect the floor or carpet from damage, place a mat under the treadmill.
4. Keep the treadmill indoors, away from moisture and dust. Do not put the treadmill in a garage or covered patio, or near water.
5. Do not operate the treadmill where aerosol products are used or where oxygen is being administered.
6. Keep children under the age of 12 and pets away from the treadmill at all times.
7. The treadmill should be used only by persons weighing 250 pounds or less.
8. Never allow more than one person on the treadmill at a time.
9. Wear appropriate exercise clothes when using the treadmill. Do not wear loose clothes that could become caught in the treadmill. Attach shoelaces to the heel of the shoe. Do not use the treadmill with hair ties. *Never use the treadmill with hair ties. Hair ties are not designed for use on the treadmill.*
10. When connecting the power cord (see page 7), plug the power cord into a surge suppressor (not included) and plug the surge suppressor into a grounded circuit capable of carrying 10 or more amps. No other appliance should be on the same circuit. Do not use an extension cord.
11. Use only a single-outlet surge suppressor that meets all of the specifications described on page 8. To purchase a surge suppressor, see your local SEARS or call 1-800-366-7278 and order part number 146748.
12. Failure to use a properly functioning surge suppressor could result in damage to the control system of the treadmill. If the control system is damaged, the walking belt may change speed or stop unexpectedly, which may result in a fall and serious injury.
13. Keep the power cord and the surge suppressor away from heated surfaces.

14. Never move the walking belt while the power is turned on. Do not operate the treadmill if the power cord or plug is damaged or if the treadmill is not working properly. (See **BEFORE YOU BEGIN** on page 4 if the treadmill is not working properly.)

15. Never start the treadmill while you are standing on the walking belt. Always hold the handrails or upper body arms while using the treadmill.

16. The treadmill is capable of high speeds. Adjust the speed in small increments to avoid sudden jumps in speed.

17. Never leave the treadmill unattended while it is running. Always remove the key and unplug the power cord when the treadmill is not in use.

18. Do not attempt to raise, lower, or move the treadmill until it is properly assembled. (See **ASSEMBLY** on page 5, and **HOW TO FOLD AND MOVE THE TREADMILL** on page 10.)

You must be able to safely lift 45 pounds (20 kg) to raise, lower, or move the treadmill.

19. When folding or moving the treadmill, make sure that the storage latch is fully closed.

20. Inspect and properly tighten all parts of the treadmill regularly.

21. Never insert any object into any opening.

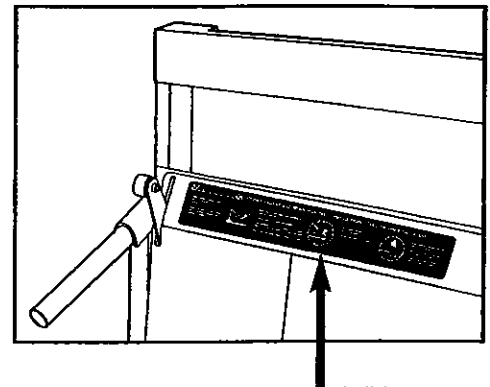
22. **DANGER:** Always unplug the power cord immediately after use, before cleaning the treadmill, and before performing the maintenance and adjustment procedures described in this manual. Never remove the motor hood unless instructed to do so by an authorized service representative. Servicing other than the procedures in this manual should be performed by an authorized service representative only.

23. This treadmill is intended for in-home use only. Do not use this treadmill in a commercial, rental, or institutional setting.

**WARNING:** Before beginning this or any exercise program, consult your physician. This is especially important for persons over the age of 35 or persons with pre-existing health problems. Read all instructions before using. SEARS assumes no responsibility for personal injury or property damage sustained by or through the use of this product.

## SAVE THESE INSTRUCTIONS

The decals shown have been placed on your treadmill. If a decal is missing, or if it is not legible, please call our toll-free **HELPLINE** to order a free replacement decal (see the front cover of this manual). Apply the decal in the location shown.



Note: The decal is shown at 38% of actual size.

**WARNING:** Protect yourself and others from risk of serious injury. Read the user's manual and:

- Fully extend the handrails before the treadmill is started.
- Hold on to the handrails or upper body arms while using the treadmill.
- Do not use the treadmill if you are dizzy, have a headache, or are taking medication that affects your balance.
- Do not use the treadmill if you are pregnant.
- Do not use the treadmill if you are under the influence of alcohol or drugs.
- Do not use the treadmill if you are wearing loose clothing or jewelry.
- Do not use the treadmill if you are wearing shoes that are not designed for walking on a treadmill.
- Do not use the treadmill if you are wearing shoes that are not designed for walking on a treadmill.

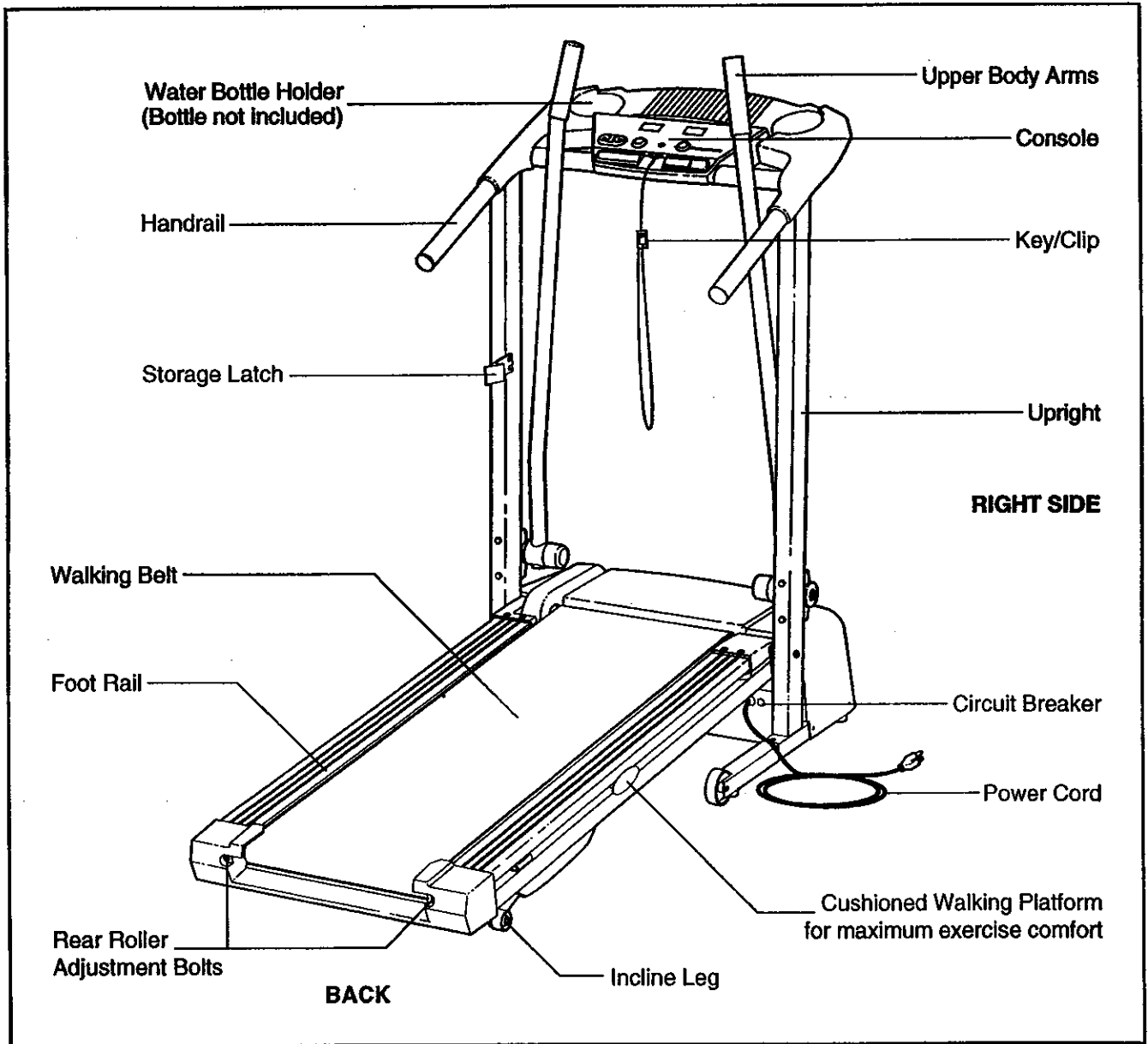
# BEFORE YOU BEGIN

Congratulations for selecting the new PROFORM® CROSSWALK 495 LS treadmill. The CROSSWALK 495 LS treadmill combines advanced technology with innovative design to help you get the most from your exercise in the convenience and privacy of your home. And when you're not exercising, the unique CROSSWALK 495 LS can be folded up, requiring less than half the floor space of other treadmills.

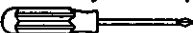

For your benefit, read this manual carefully before using the treadmill. If you have questions after read-

ing this manual, please call our toll-free HELPLINE at 1-800-736-6879, Monday through Saturday, 7 a.m. until 7 p.m. Central Time (excluding holidays). To help us assist you, please note the product model number and serial number before calling. The model number of the treadmill is 831.291710. The serial number can be found on a decal attached to the treadmill (see the front cover of this manual for the location).

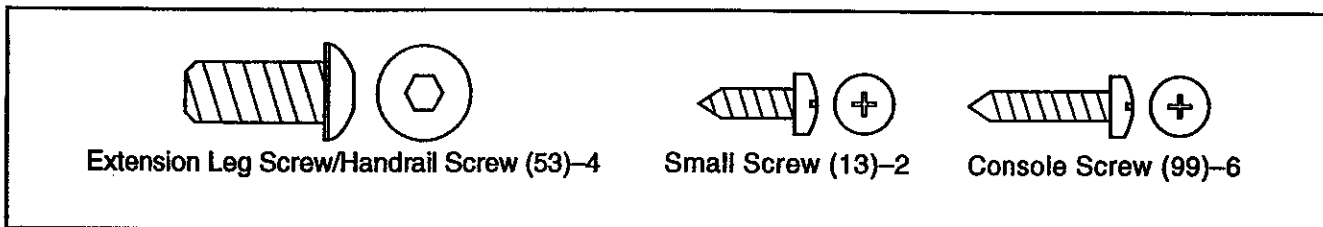
Before reading further, please familiarize yourself with the parts that are labeled in the drawing below.



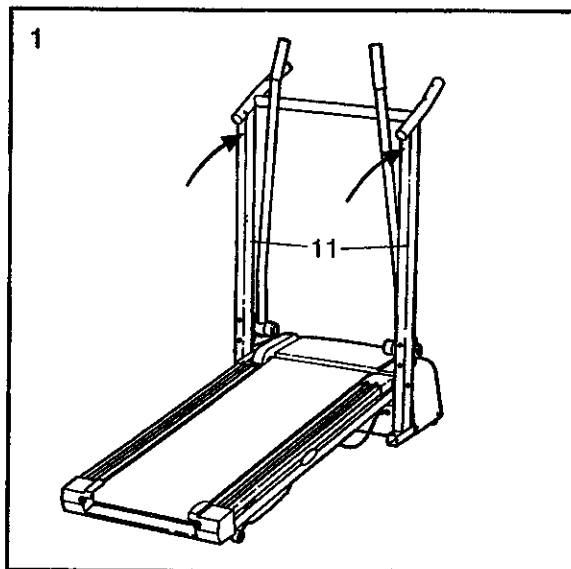
# ASSEMBLY

**Assembly requires two people.** Set the treadmill in a cleared area and remove all packing materials. Do not dispose of the packing materials until assembly is completed. **Assembly requires the included allen wrench and your own phillips screwdriver**  **and wire cutters** 

Note: The underside of the treadmill walking belt is coated with high-performance lubricant. During shipping, a small amount of lubricant may be transferred to the top of the walking belt or the shipping carton. This is a normal condition and does not affect treadmill performance. If there is lubricant on top of the walking belt, simply wipe off the lubricant with a soft cloth and a mild, non-abrasive cleaner.

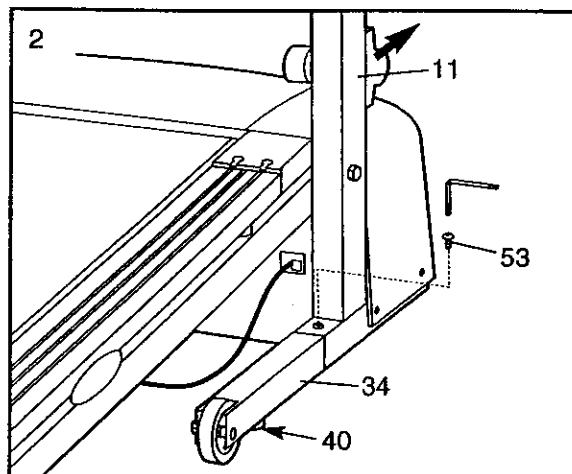


1. With the help of a second person, carefully raise the Uprights (11) until the treadmill is in the position shown.



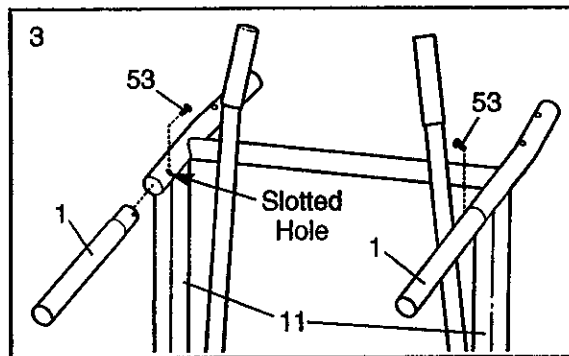
2. Insert one of the Extension Legs (34) into the treadmill as shown. (Note: It may be helpful to tip the Uprights [11] in the direction shown by the arrow as you insert the Extension Leg.) Make sure that the Base Pad (40) is on the indicated side of the Extension Leg. Attach the Extension Leg with an Extension Leg Screw (53). **Make sure to push on the head of the Extension Leg Screw while tightening it.**

Attach the other Extension Leg (34) in the same way.



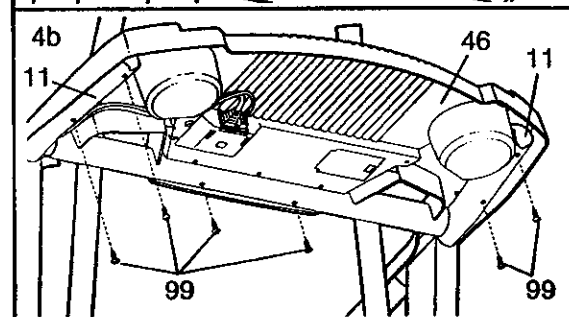
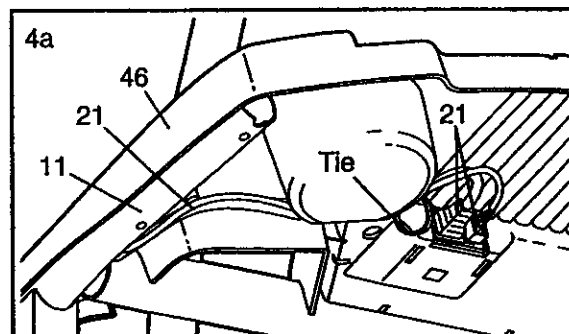
3. Remove the Handrail Screw (53) from one of the Handrails (1). Insert the Handrail into the tube at the top of the left Upright (11), and align the hole in the Handrail with the slotted hole in the Upright. Loosely thread the Handrail Screw into the Handrail, rotate the Handrail until the Screw is touching one end of the slotted hole, and then fully tighten the Screw.

Attach the other Handrail (1) to the right Upright (11) in the same way.

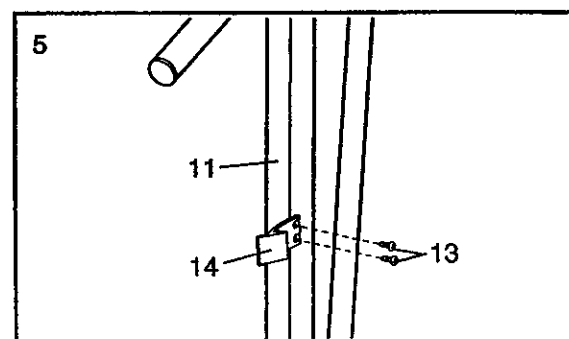


4. Place the Console Base (46) on the tubes on the Uprights (11). Pull out just enough of the two Wires (21) to connect them to the connectors in the Console Base. Make a loop with the indicated plastic tie around the Wires and insert the end through the tie holder on the bottom of the Console Base. Plug the Wire that has a red connector into the corresponding connector in the Console Base. **The connectors should fit together without being forced; if they do not, rotate the connector on the Wire and then plug it in.** Next, plug the other Wire into the other connector in the Console Base. **Important: Make sure that both Wires are fully inserted.** **WARNING: Do not disconnect or connect the Wires while the treadmill power cord is plugged in.** Pull the plastic tie tight and cut off the end.

Refer to drawing 4b. Thread six Console Screws (99) into the Uprights (11) and the Console Base (46). After all six Console Screws have been started, **tighten the Screws until they are snug; do not overtighten the Screws.**



5. Attach the Storage Latch (14) to the left Upright (11) with two Small Screws (13). **Be careful not to overtighten the Latch Screws.**



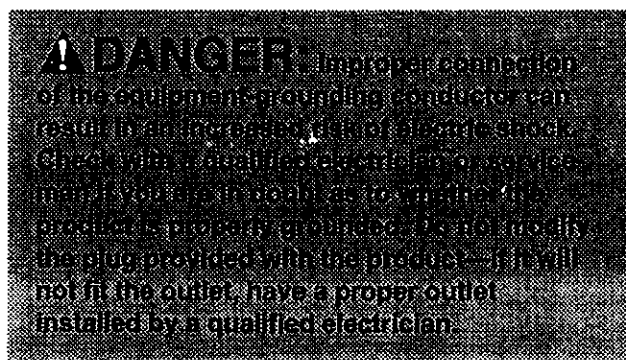
6. **Make sure that all parts are properly tightened before you use the treadmill.** Keep the included allen wrench in a secure place. The allen wrench is used to adjust the walking belt (see page 13). To protect the floor or carpet, place a mat under the treadmill.

# OPERATION AND ADJUSTMENT

## THE PERFORMANT LUBE™ WALKING BELT

Your treadmill features a walking belt coated with PERFORMANT LUBE™, a high-performance lubricant. **IMPORTANT: Never apply silicone spray or other substances to the walking belt or the walking platform. Such substances will deteriorate the walking belt and cause excessive wear.**

## HOW TO PLUG IN THE POWER CORD



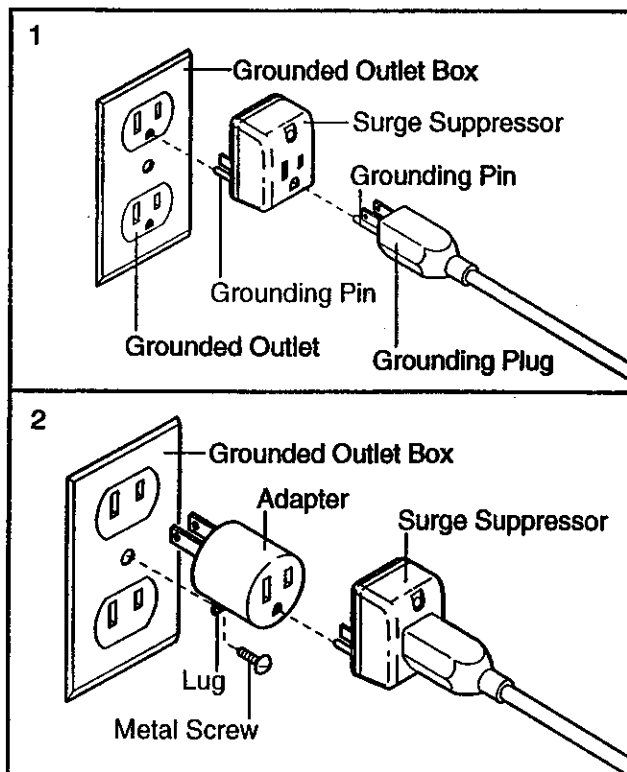
Your treadmill, like any other type of sophisticated electronic equipment, can be seriously damaged by sudden voltage changes in your home's power. Voltage surges, spikes, and noise interference can result from weather conditions or from other appliances being turned on or off. **To decrease the possibility of your treadmill being damaged, always use a surge suppressor with your treadmill (see drawing 1 at the right). To purchase a surge suppressor, see your local SEARS or call toll-free 1-800-366-7278 and order part number 146148.**

**Use only a single-outlet surge suppressor that is UL 1449 listed as a transient voltage surge suppressor (TVSS). The surge suppressor must have a UL suppressed voltage rating of 400 volts or less and a minimum surge dissipation of 450 joules. The surge suppressor must be electrically rated for 120 volts AC and 15 amps. There must be a monitoring light on the surge suppressor to indicate whether it is functioning properly. Failure to use a properly functioning surge suppressor could result in damage to the control system of the treadmill. If the control system is damaged, the walking belt may change speed or stop unexpectedly, which may result in a fall and serious injury.**

**This product must be grounded.** If it should malfunction or break down, grounding provides a path of least resistance for electric current to reduce the risk of electric shock. This product is equipped with a cord having

an equipment-grounding conductor and a grounding plug. **Plug the power cord into a surge suppressor, and plug the surge suppressor into an appropriate outlet that is properly installed and grounded in accordance with all local codes and ordinances. Important: The treadmill is not compatible with GFCI-equipped outlets.**

This product is for use on a nominal 120-volt circuit, and has a grounding plug that looks like the plug illustrated in drawing 1 below. A temporary adapter that looks like the adapter illustrated in drawing 2 may be used to connect the surge suppressor to a 2-pole receptacle as shown in drawing 2 if a properly grounded outlet is not available.



The temporary adapter should be used only until a properly grounded outlet (drawing 1) can be installed by a qualified electrician.

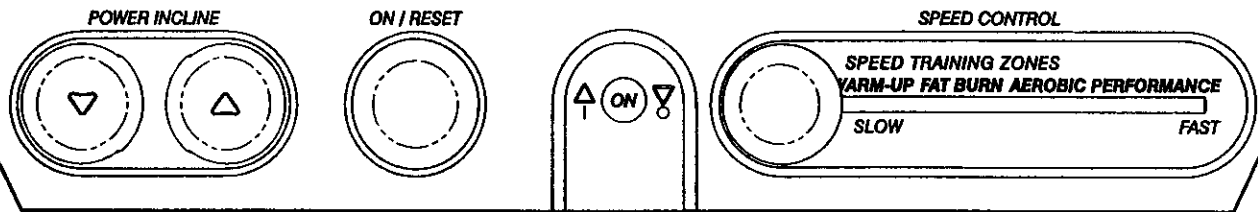
The green-colored rigid ear, lug, or the like extending from the adapter must be connected to a permanent ground such as a properly grounded outlet box cover. Whenever the adapter is used it must be held in place by a metal screw. **Some 2-pole receptacle outlet box covers are not grounded. Contact a qualified electrician to determine if the outlet box cover is grounded before using an adapter.**

## CONSOLE DIAGRAM

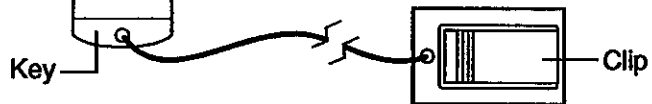
KEY  
ON /  
RESET BUTTON  
RESET, THEN  
SET SPEED



**▲ WARNING**  
risk of serious injury  
before starting  
read and understand  
manual, all instructions  
the warnings below  
Keep children away



Note: If there is a thin sheet of clear plastic on the console, remove it.

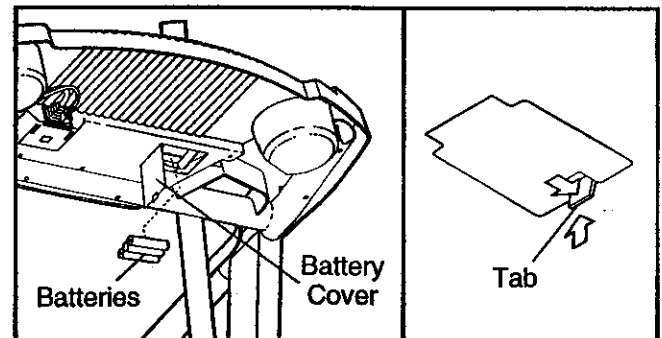


**▲ CAUTION:** Before operating the console, read the following precautions.

- Do not stand on the walking belt when turning on the power.
- Always wear the clip (see the drawing above) while using the treadmill. When the key is removed from the console, the walking belt will stop.
- Adjust the speed in small increments.
- The training zones marked above the speed control are general guidelines only. See page 14 for more information.
- To reduce the possibility of electric shock, keep the console dry. Avoid spilling liquids on the console and use only a sealable water bottle.

## BATTERY INSTALLATION

The console requires two or three "AA" batteries (not included). Alkaline batteries are recommended. Open the battery cover as shown in the drawing at the upper right. Insert the batteries into the battery compartment, making sure that the negative (-) ends of the batteries are touching the springs in the battery compartment.



Close the battery cover, push up on the battery cover tab, and then push the tab forward as shown in the inset drawing. Make sure that the tab locks into place.

## STEP-BY-STEP CONSOLE OPERATION

Before operating the console, make sure that the power cord is properly plugged in (see page 7).

Stand on the foot rails of the treadmill. Find the clip attached to the key (see the drawing at the top of this page), and slide the clip onto the waistband of your clothes. Next, insert the key into the console. **Test the clip by carefully taking a few steps backward until the key is pulled from the console.** If the key is not pulled from the console, adjust the position of the clip as needed.

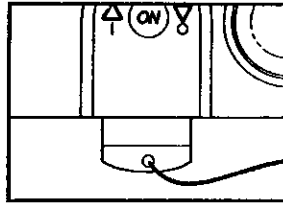


Follow the steps below to operate the console.

**1** Insert the key fully into the power switch.

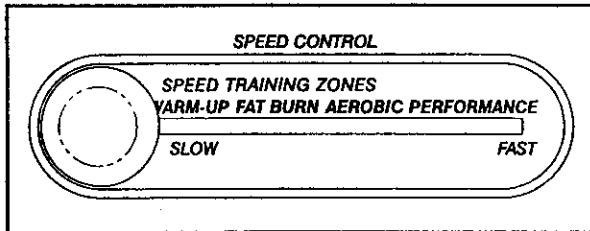
Inserting the key will not turn on the displays. The displays will turn on when the ON/RESET button is pressed or when the walking belt is started.

Note: If you just installed batteries, the displays will already be on.



**2** Reset the speed control and start the walking belt.

Slide the speed control fully to the left to the reset position. Note: Each time the walking belt is stopped, the speed control must be moved to the reset position before the walking belt can be restarted.



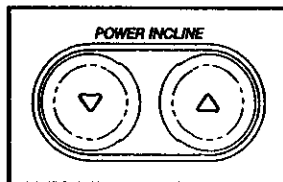
Next, slowly slide the speed control to the right until the walking belt begins to move at slow speed. Carefully step onto the walking belt and begin exercising. Change the speed of the walking belt as desired by sliding the speed control.

To stop the walking belt, step onto the foot rails and slide the speed control to the reset position.

Note: During the first few minutes that the treadmill is used, inspect the alignment of the walking belt and align it if necessary (see page 13).

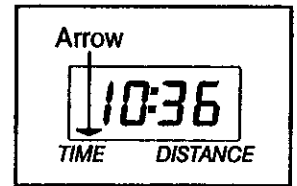
**3** Adjust the incline of the treadmill as desired.

To change the incline of the treadmill, press the increase or decrease button until the desired incline level is reached.

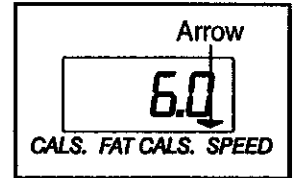


**4** Monitor your progress with the two displays.

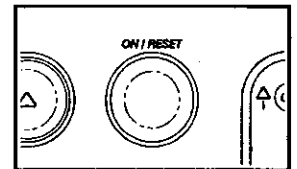
**TIME/DISTANCE display**—This display shows the elapsed time and the distance that you have walked or run, in miles. Every few seconds, the display will change from one number to the other, as shown by the arrows in the display.



**CALS/FAT CALS/ SPEED display**—This display shows the approximate numbers of calories and fat calories you have burned. (See FAT BURNING on page 14.) In addition, the display shows the speed of the walking belt, in miles per hour. Every few seconds, the display will change from one number to the next, as shown by the arrows in the display.



To reset the displays at any time, press the ON/RESET button. Note: The console can display speed and distance in either miles or kilometers. To change the unit of measurement, hold down the ON/RESET button for five seconds.



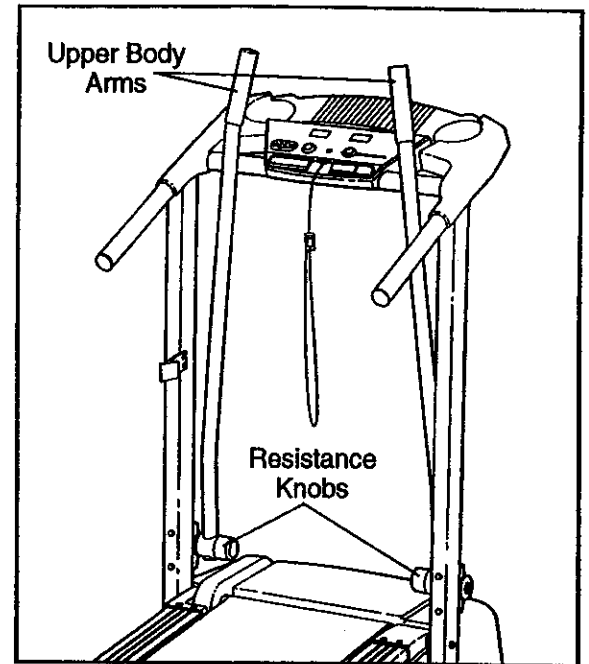
**5** When you are finished exercising, stop the walking belt and remove the key.

Step onto the foot rails, slide the speed control to the reset position, and remove the key from the console. The displays will turn off a few minutes after the key is removed. Note: Any time that the walking belt is stopped and the ON/RESET button is not pressed for a few minutes, the displays will automatically turn off to conserve the batteries.

## HOW TO USE THE UPPER BODY ARMS

As you exercise on the treadmill, you can hold either the handrails or the upper body arms. The upper body arms are designed to exercise your arms, shoulders, and back for a total body workout. Hold one upper body arm with each hand, and move them forward and back as you walk on the treadmill.

To vary the intensity of your upper body exercise, the resistance of the upper body arms can be adjusted. To increase the resistance, turn the resistance knobs clockwise; to decrease the resistance, turn the knobs counterclockwise.



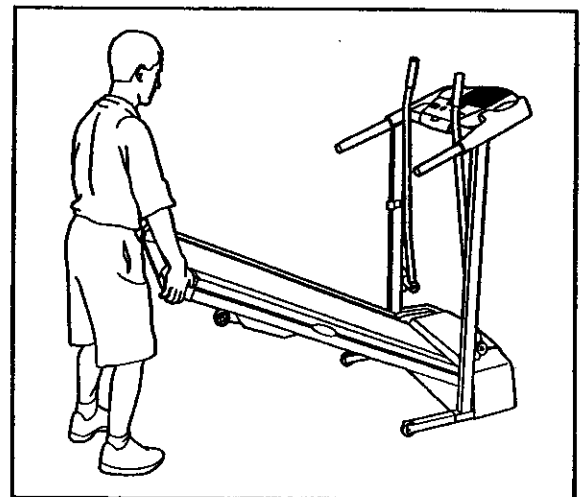
## HOW TO FOLD AND MOVE THE TREADMILL

### HOW TO FOLD THE TREADMILL FOR STORAGE

Before folding the treadmill, unplug the power cord.

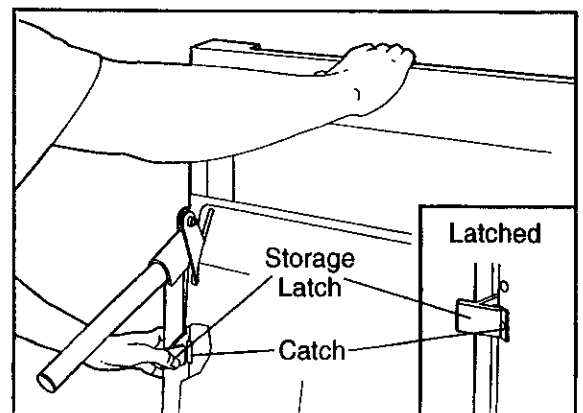
**CAUTION:** You must be able to safely lift 45 pounds (20 kg) in order to raise, lower, or move the treadmill.

1. Hold the treadmill with your hands in the locations shown at the right. To decrease the possibility of injury, bend your legs and keep your back straight. As you raise the treadmill, make sure to lift with your legs rather than your back. Raise the treadmill about halfway to the vertical position.



2. Move your right hand to the position shown and hold the treadmill firmly. Press out on the storage latch. Raise the treadmill until the storage latch closes over the catch. Make sure that the storage latch is fully closed over the catch.

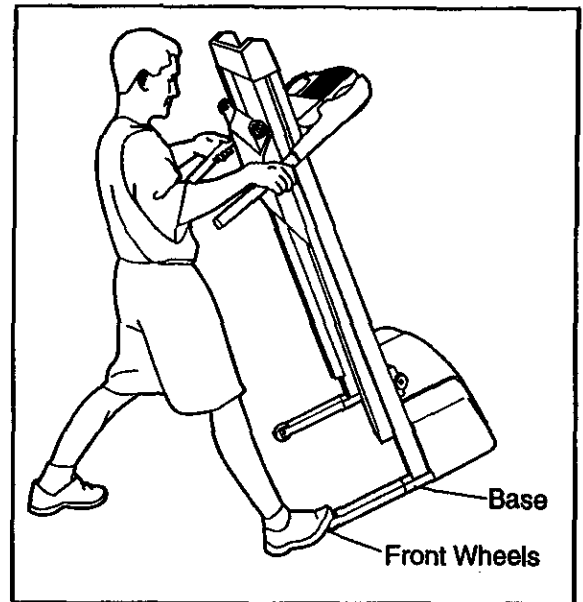
To protect the floor or carpet from damage, place a mat under the treadmill. Keep the treadmill out of direct sunlight. Do not leave the treadmill in the storage position in temperatures above 85° Fahrenheit.



## HOW TO MOVE THE TREADMILL

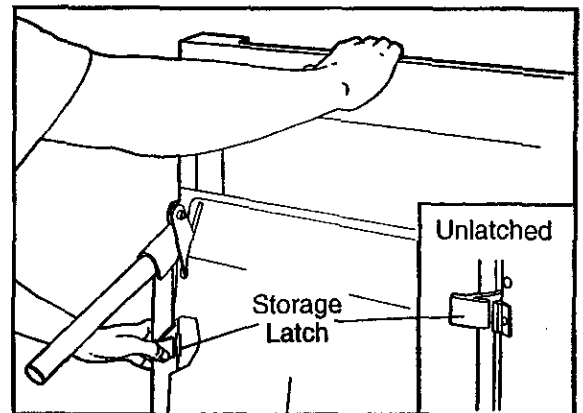
Before moving the treadmill, convert the treadmill to the storage position as described on page 10. **Make sure that the storage latch is fully closed over the catch.**

1. Hold the upper ends of the handrails. Place one foot on the base as shown.
2. Tilt the treadmill back until it rolls freely on the front wheels. Carefully move the treadmill to the desired location. **To reduce the risk of injury, use extreme caution while moving the treadmill. Do not move the treadmill over an uneven surface.**
3. Place one foot on the base, and carefully lower the treadmill until it is resting in the storage position.

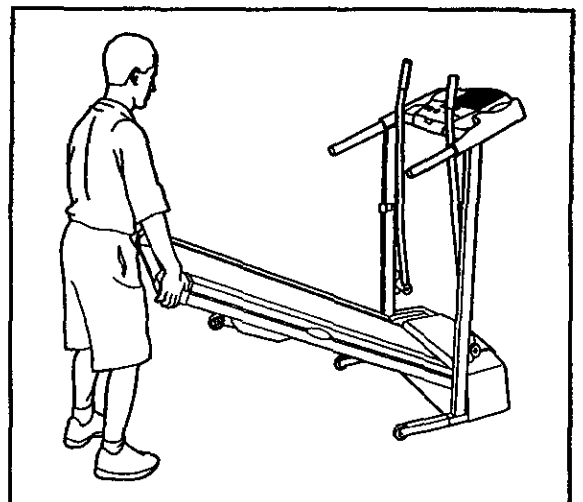


## HOW TO LOWER THE TREADMILL FOR USE

1. Hold the upper end of the treadmill with your right hand as shown. Using your left thumb, press the storage latch and hold it. Pivot the treadmill until the frame and foot rail are past the storage latch.



2. Hold the treadmill firmly with both hands, and lower the treadmill to the floor. **Do not drop the treadmill frame to the floor. To decrease the possibility of injury, bend your legs and keep your back straight.**



# TROUBLESHOOTING

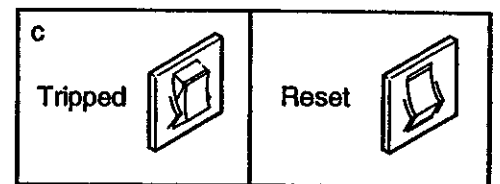
Most treadmill problems can be solved by following the simple steps below. Find the symptom that applies, and follow the steps listed. If further assistance is needed, call our toll-free HELPLINE at 1-800-736-6879, Monday through Saturday, 7 a.m. until 7 p.m. Central Time (excluding holidays).

**PROBLEM:** The power does not turn on

**SOLUTION:** a. Make sure that the power cord is plugged into a surge suppressor, and that the surge suppressor is plugged into a properly grounded outlet (see page 7). Use only a single-outlet surge suppressor that meets all of the specifications described on page 7. Important: The treadmill is not compatible with GFCI-equipped outlets.

b. After the power cord has been plugged in, make sure that the key is fully inserted into the console.

c. Check the circuit breaker located on the treadmill frame near the power cord. If the switch protrudes as shown, the circuit breaker has tripped. To reset the circuit breaker, wait for five minutes and then press the switch back in.



**PROBLEM:** The power turns off during use

**SOLUTION:** a. Check the circuit breaker located on the treadmill frame near the power cord (see the drawing above). If the circuit breaker has tripped, wait for five minutes and then press the switch back in.

b. Make sure that the power cord is plugged in. If the power cord is plugged in, unplug it, wait for five minutes, and then plug it back in.

c. Remove the key from the console. Reinsert the key fully into the console.

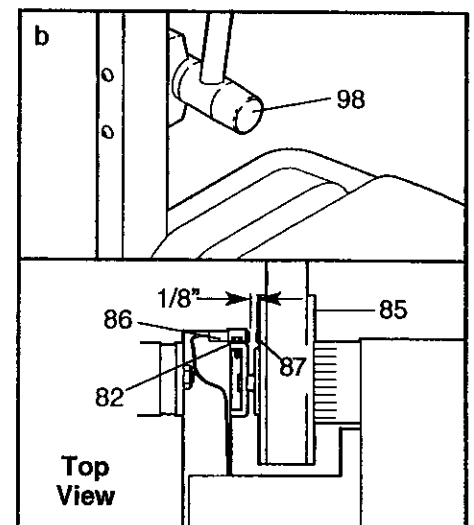
d. If the treadmill still will not run, please call our toll-free HELPLINE.

**PROBLEM:** The displays of the console do not function properly

**SOLUTION:** a. Check the batteries in the console. If the batteries need to be replaced, see BATTERY INSTALLATION on page 8. Most problems are the result of drained batteries.

b. Remove the key from the console and **UNPLUG THE POWER CORD**. Remove the Resistance Knob (98) from the left Upright. Remove the screws from the hood, and carefully remove the hood.

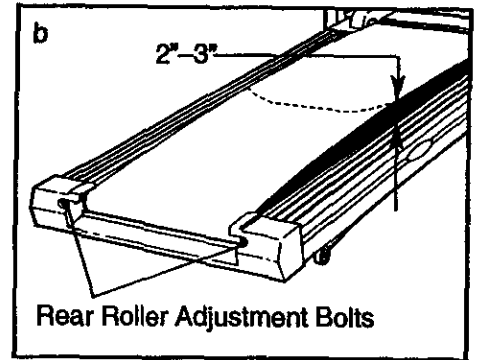
Locate the Reed Switch (86) and the Magnet (87) on the left side of the Pulley (85). Turn the Pulley until the Magnet is aligned with the Reed Switch. **Make sure that the gap between the Magnet and the Reed Switch is about 1/8".** If necessary, loosen the Screw (82) and move the Reed Switch slightly. Retighten the Screw. Re-attach the hood, and run the treadmill for a few minutes to check for a correct speed reading. Reattach the Resistance Knob.



**PROBLEM: The walking belt slows when walked on**

**SOLUTION:** a. Use only a single-outlet surge suppressor that meets all of the specifications described on page 7.

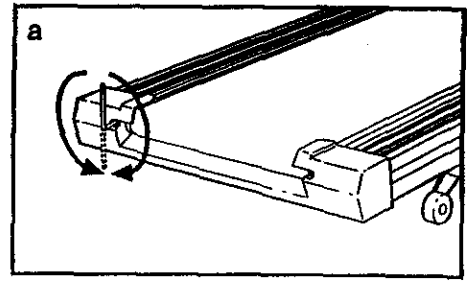
b. If the walking belt is overtightened, treadmill performance may decrease and the walking belt may become damaged. Remove the key and **UNPLUG THE POWER CORD**. Using the allen wrench, turn both rear roller adjustment bolts counterclockwise, 1/4 of a turn. When the walking belt is properly tightened, you should be able to lift each side of the walking belt 2 to 3 inches off the walking platform. Be careful to keep the walking belt centered. Plug in the power cord, insert the key and run the treadmill for a few minutes. Repeat until the walking belt is properly tightened.



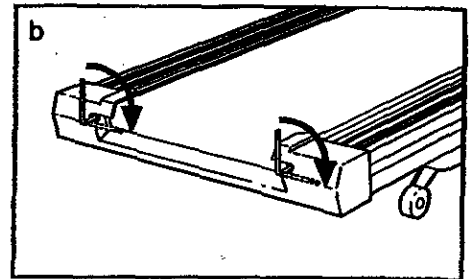
c. If the walking belt still slows when walked on, please call our toll-free HELPLINE.

**PROBLEM: The walking belt is off-center or slips when walked on**

**SOLUTION:** a. If the walking belt is off-center, first remove the key and **UNPLUG THE POWER CORD**. If the walking belt has shifted to the left, use the allen wrench to turn the left rear roller bolt clockwise 1/2 of a turn; if the walking belt has shifted to the right, turn the bolt counterclockwise 1/2 of a turn. Be careful not to overtighten the walking belt. Plug in the power cord, insert the key and run the treadmill for a few minutes. Repeat until the walking belt is centered.

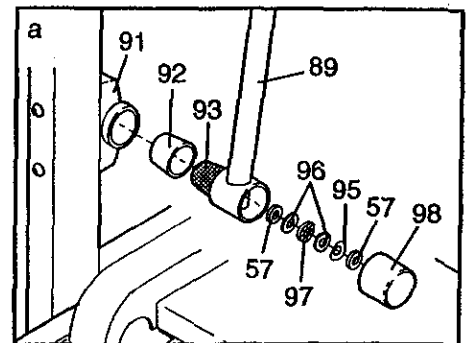


b. If the walking belt slips when walked on, first remove the key and **UNPLUG THE POWER CORD**. Using the allen wrench, turn both rear roller bolts clockwise, 1/4 of a turn. When the walking belt is correctly tightened, you should be able to lift each side of the walking belt 2 to 3 inches off the walking platform. Be careful to keep the walking belt centered. Plug in the power cord, insert the key and carefully walk on the treadmill for a few minutes. Repeat until the walking belt is properly tightened.



**PROBLEM: ONE OF THE UPPER BODY ARMS SQUEAKS DURING USE**

**SOLUTION:** a. Correcting this problem requires a small amount of white marine grease, available at most hardware stores. Turn the Resistance Knob (98) counterclockwise until it can be removed. Remove the Resistance Cone (93) and the Upper Body Arm (89), along with the 3/8" Washers (57), Spring Washer (95), Thrust Washers (96), and Thrust Bearing (97). (Note: If the Resistance Sleeve [92] comes out of the Resistance Bracket [91], press it back in.) Apply a thin layer of white marine grease to the outer surface of the Resistance Cone (93). Reattach all parts in the order shown at the right.



# CONDITIONING GUIDELINES

**⚠ WARNING:** Before beginning this or any exercise program, consult your physician. This is especially important for individuals over the age of 35 or individuals with pre-existing health problems.

The following guidelines will help you to plan your exercise program. For more detailed exercise information, obtain a reputable book or consult your physician.

## EXERCISE INTENSITY

Whether your goal is to burn fat or to strengthen your cardiovascular system, the key to achieving the desired results is to exercise with the proper intensity. The proper intensity level can be found by using your heart rate as a guide. The chart below shows recommended heart rates for fat burning and aerobic exercise.

HEART RATE TRAINING ZONE			
	MIN BPM		MAX BPM
AGE	Fat Burn	Max Burn	Aerobic
20	125	145	165
30	120	138	155
40	115	130	145
50	110	125	140
60	105	118	130
70	95	110	125
80	90	103	115

To find the proper heart rate for you, first find your age on the left side of the chart (ages are rounded off to the nearest ten years). Next, find the three numbers to the right of your age. The three numbers are your "training zone." The lower two numbers are recommended heart rates for fat burning; the higher number is the recommended heart rate for aerobic exercise.

### Fat Burning

To burn fat effectively, you must exercise at a relatively low intensity level for a sustained period of time. During the first few minutes of exercise, your body uses easily accessible *carbohydrate calories* for energy. Only after the first few minutes does your body begin to use stored *fat calories* for energy. If your goal is to burn fat, adjust the speed and incline of the treadmill until your heart rate is near one of the lower two numbers in your

training zone. It may also be helpful to set the speed control on the console to **FAT BURN** to help you maintain the proper intensity level. (See page 9.)

### Aerobic Exercise

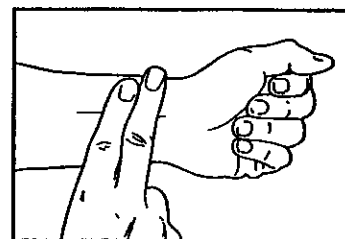
If your goal is to strengthen your cardiovascular system, your exercise must be "aerobic." Aerobic exercise is activity that requires large amounts of oxygen for prolonged periods of time. This increases the demand on the heart to pump blood to the muscles, and on the lungs to oxygenate the blood. For aerobic exercise, adjust the speed and incline of the treadmill until your heart rate is near the highest number in your training zone. It may also be helpful to set the speed control on the console to **AEROBIC** to help you maintain the proper intensity level. (See page 9.)

### High Performance Athletic Conditioning

If your goal is high performance athletic conditioning, set the speed control on the console to **PERFORMANCE** to help you maintain the proper intensity level. (See page 9.) Note: During the first few weeks of your exercise program, keep your heart rate near the low end of your training zone.

## HOW TO MEASURE YOUR HEART RATE

To measure your heart rate, stop exercising and place two fingers on your wrist as shown. Take a six-second heartbeat count, and multiply the result by ten to find your heart rate.



(A six-second count is used because your heart rate drops quickly when you stop exercising.) If your heart rate is too high or too low, adjust the speed or incline of the treadmill accordingly.

## WORKOUT GUIDELINES

A well-rounded workout includes the following three important parts:

### A Warm-up

Start each workout with 5 to 10 minutes of stretching and light exercise. A proper warm-up increases your body temperature, heart rate, and circulation in preparation for exercise.

## Training Zone Exercise

After warming up, increase the intensity of your exercise until your pulse is in your training zone for 20 to 60 minutes. (During the first few weeks of your exercise program, do not keep your pulse in your training zone for longer than 20 minutes.) Breathe regularly and deeply as you exercise—never hold your breath.

## A Cool-down

Finish each workout with 5 to 10 minutes of stretching

to cool down. This will increase the flexibility of your muscles and will help to prevent post-exercise problems.

## EXERCISE FREQUENCY

To maintain or improve your condition, complete three workouts each week, with at least one day of rest between workouts. After a few months, you may complete up to five workouts each week if desired. The key to success is to make exercise a regular and enjoyable part of your everyday life.

## SUGGESTED STRETCHES

The correct form for several basic stretches is shown at the right. Move slowly as you stretch—never bounce.

### 1. Toe Touch Stretch

Stand with your knees bent slightly and slowly bend forward from your hips. Allow your back and shoulders to relax as you reach down toward your toes as far as possible. Hold for 15 counts, then relax. Repeat 3 times. Stretches: Hamstrings, back of knees, and back.

### 2. Hamstring Stretch

Sit with one leg extended. Bring the sole of the opposite foot toward you and rest it against the inner thigh of your extended leg. Reach toward your toes as far as possible. Hold for 15 counts, then relax. Repeat 3 times for each leg. Stretches: Hamstrings, lower back, and groin.

### 3. Calf/Achilles Stretch

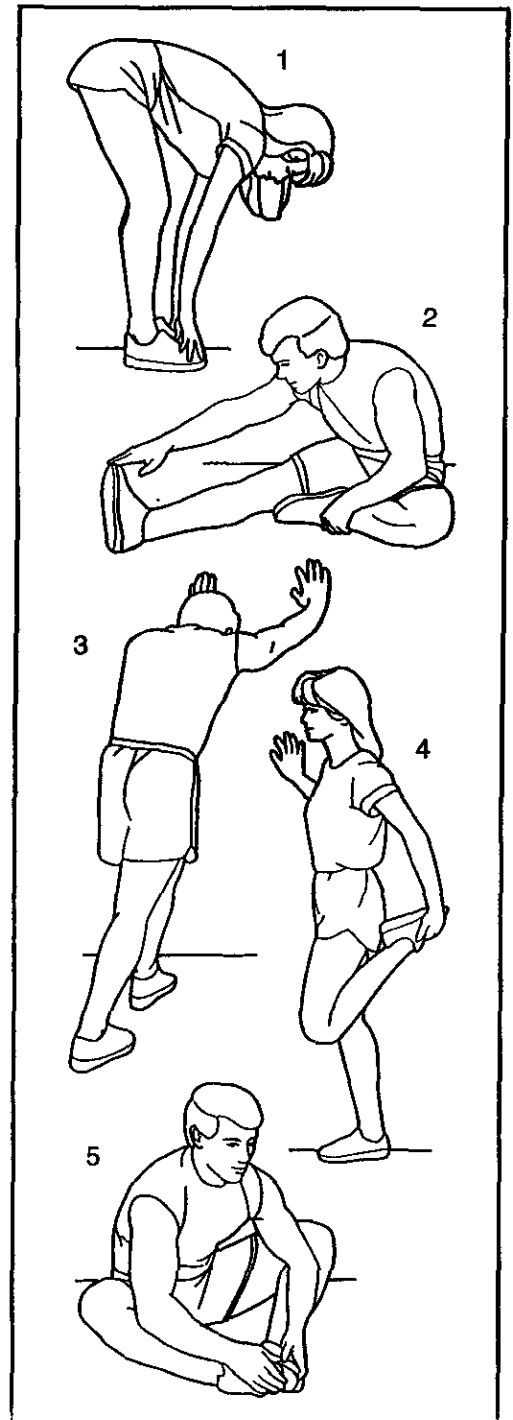
With one leg in front of the other, reach forward and place your hands against a wall. Keep your back leg straight and your back foot flat on the floor. Bend your front leg, lean forward and move your hips toward the wall. Hold for 15 counts, then relax. Repeat 3 times for each leg. To cause further stretching of the achilles tendons, bend your back leg as well. Stretches: Calves, achilles tendons, and ankles.

### 4. Quadriceps Stretch

With one hand against a wall for balance, reach back and grasp one foot with your other hand. Bring your heel as close to your buttocks as possible. Hold for 15 counts, then relax. Repeat 3 times for both legs. Stretches: Quadriceps and hip muscles.

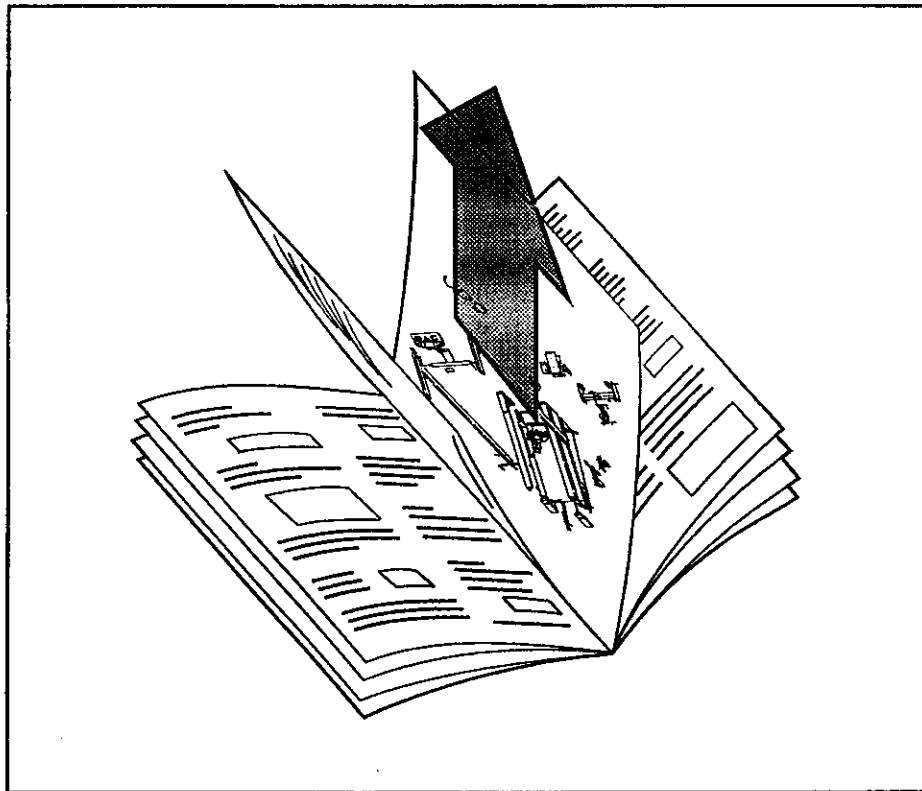
### 5. Inner Thigh Stretch

Sit with the soles of your feet together and your knees outward. Pull your feet toward your groin area as far as possible. Hold for 15 counts, then relax. Repeat 3 times. Stretches: Quadriceps and hip muscles.



**REMOVE THIS EXPLODED DRAWING AND PART LIST FROM THE MANUAL**

**Save this EXPLODED DRAWING and PART LIST for future reference.**



Note: Specifications are subject to change without notice. For information about ordering replacement parts, see the back cover of the User's Manual.



# PART LIST—Model No. 831.291710

R0502A

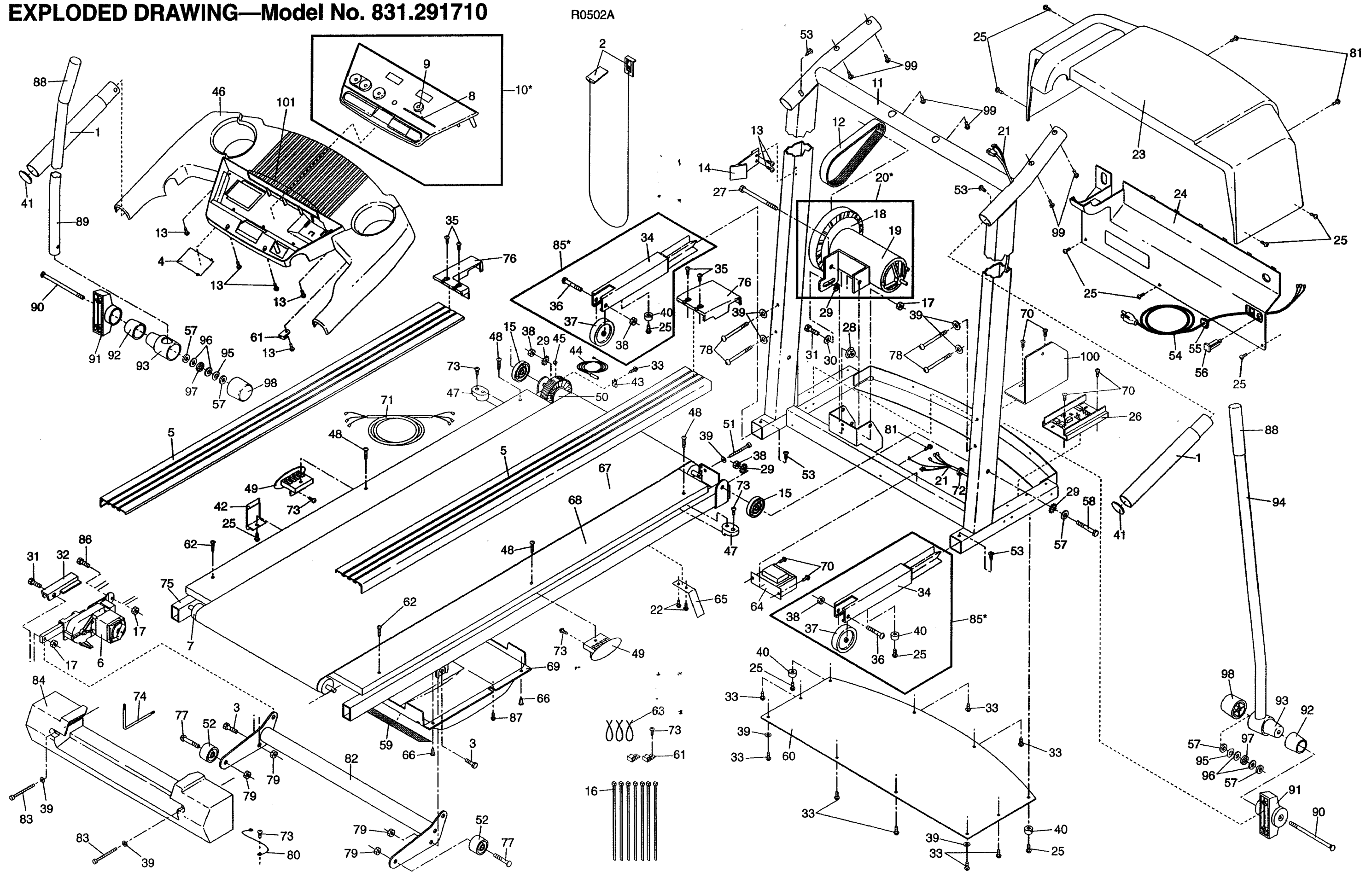
Key No.	Qty.	Description	Key No.	Qty.	Description
1	2	Handrail	55	1	Power Cord Grommet
2	1	Key/Clip	56	1	Circuit Breaker
3	2	Incline Leg Pivot Bolt	57	6	3/8" Washer
4	1	Battery Cover	58	2	Frame Pivot Bolt
5	2	Foot Rail	59	1	Latch Decal
6	1	Lift Motor	60	1	Motor Belly Pan
7	1	Rear Roller	61	2	Cable Tie Clamp
8	1	Speed Potentiometer	62	2	Rear Platform Screw
9	1	Speed Control Knob	63	3	Releasable Tie
10*	1	Console Assembly	64	1	Choke
11	1	Upright Base	65	2	Belt Guide
12	1	Motor Belt	66	4	Belly Pan Fastener
13	4	Small Screw	67	1	Walking Belt
14	1	Storage Latch	68	1	Walking Platform
15	2	Frame Pivot Spacer	69	1	Belly Pan
16	7	8" Cable Tie	70	8	Electronics Screw
17	3	Motor Nut	71	1	Incline Wire Harness
18	1	Pulley/Flywheel/Fan	72	1	Upright Grommet
19	1	Motor	73	5	Isolator Screw
20*	1	Motor/Pulley/Flywheel/Fan	74	1	Allen Wrench
21	1	Wire Harness	75	1	Frame
22	4	Belt Guide Screw	76	2	Front Endcap
23	1	Motor Hood	77	2	Incline Wheel Bolt
24	1	Hood Shield	78	4	Resistance Bracket Bolt
25	12	Screw	79	4	Incline Wheel Nut
26	1	Controller	80	1	Ground Wire
27	1	Motor Swivel Bolt	81	2	Hood Screw (Front)
28	1	Motor Tension Nut	82	1	Incline Leg
29	5	Small Star Washer	83	2	Rear Roller Adj. Bolt
30	1	Motor Tension Washer	84	1	Rear Endcap
31	2	Motor Tension Bolt	85*	2	Extension Leg Assembly
32	1	Incline Stop Bracket	86	1	Incline Motor Bolt
33	9	Belly Pan/Clip/Handrail Screw	87	2	Belly Pan Screw
34	2	Extension Leg	88	2	Foam Grip
35	4	Endcap Screw	89	1	Left Upper Body Arm w/Foam Grip
36	2	Wheel Bolt	90	2	Resistance Bolt
37	2	Wheel	91	2	Resistance Bracket
38	6	Wheel Nut/Lift Nut	92	2	Resistance Sleeve
39	9	Washer	93	2	Resistance Cone
40	4	Base Pad	94	1	Right Upper Body Arm w/Foam Grip
41	2	Handrail Cap	95	2	Spring Washer
42	1	Latch Catch	96	4	Thrust Washer
43	1	Reed Switch Clip	97	2	Thrust Bearing
44	1	Reed Switch	98	2	Resistance Knob
45	1	Magnet	99	6	Console Screw/Latch Screw
46	1	Console Base	100	1	Motor Belt Shield
47	2	Front Isolator	101	1	Book Rack
48	4	Platform Screw	102	4	Star Washer
49	2	Isolator	#	1	4" Red Wire, M/F
50	1	Front Roller/Pulley	#	1	14" White Wire, Pigtail
51	1	Front Roller Adj. Bolt	#	1	4" Blue Wire, M/F
52	2	Incline Wheel	#	1	User's Manual
53	4	Extension Leg Screw/Handrail Screw			
54	1	Power Cord			

\* Includes all parts shown in the box

# These parts are not illustrated

# EXPLODED DRAWING—Model No. 831.291710

R0502A



# SEARS

Model No. 831.291710

## QUESTIONS?

If you find that:

- you need help assembling or operating the PROFORM CROSSWALK 495 LS treadmill
- a part is missing
- or you need to schedule repair service

call our toll-free HELPLINE

**1-800-736-6879**

Monday–Saturday, 7 am–7 pm  
Central Time (excluding holidays)

## REPLACEMENT PARTS

If parts become worn and need to be replaced, call the following toll-free number

**1-800-FON-PART**  
**(1-800-366-7278)**

The model number and serial number of your PROFORM® CROSSWALK 495 LS treadmill are listed on a decal attached to the frame. See the front cover of this manual to find the location of the decal.

All replacement parts are available for immediate purchase or special order when you visit your nearest SEARS Service Center. To request service or to order parts by telephone, call the toll-free numbers listed at the left.

When requesting help or service, or ordering parts, please be prepared to provide the following information:

- The NAME OF THE PRODUCT (PROFORM® CROSSWALK 495 LS treadmill)
- The MODEL NUMBER OF THE PRODUCT (831.291710)
- The KEY NUMBER AND DESCRIPTION OF THE PART (see the EXPLODED DRAWING and PART LIST in the center of this manual)

## FULL 90 DAY WARRANTY

For 90 days from the date of purchase, if failure occurs due to defect in material or workmanship in this SEARS TREADMILL EXERCISER, contact the nearest SEARS Service Center throughout the United States and SEARS will repair or replace the TREADMILL EXERCISER, free of charge.

This warranty does not apply when the TREADMILL EXERCISER is used commercially or for rental purposes.

This warranty gives you specific legal rights, and you may also have other rights which vary from state to state.

**SEARS, ROEBUCK AND CO., DEPT. 817WA, HOFFMAN ESTATES, IL 60179**

## Free Manuals Download Website

<http://myh66.com>

<http://usermanuals.us>

<http://www.somanuals.com>

<http://www.4manuals.cc>

<http://www.manual-lib.com>

<http://www.404manual.com>

<http://www.luxmanual.com>

<http://aubethermostatmanual.com>

Golf course search by state

<http://golfingnear.com>

Email search by domain

<http://emailbydomain.com>

Auto manuals search

<http://auto.somanuals.com>

TV manuals search

<http://tv.somanuals.com>