

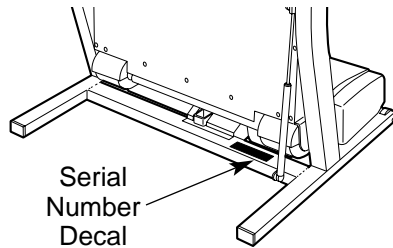
PRO-FORM[®] 630DS

USER'S MANUAL

Model No. PCTL63090

Serial No. _____

Find the serial number in the location shown below. Write the serial number in the space above for reference.



QUESTIONS?

As a manufacturer, we are committed to providing complete customer satisfaction. If you have questions, or if there are missing or damaged parts, we will guarantee you complete satisfaction through direct assistance from our factory.

TO AVOID UNNECESSARY DELAYS, PLEASE CALL DIRECT TO OUR TOLL-FREE CUSTOMER SERVICE DEPARTMENT. The trained technicians on our Customer Hot Line will provide immediate assistance, free of charge to you.

CUSTOMER SERVICE DEPARTMENT:

1-888-936-4266

Mon.–Fri., 8 a.m.–6:30 p.m. EST
(excluding holidays)

CAUTION

Read all precautions and instructions in this manual before using this equipment. Save this manual for future reference.

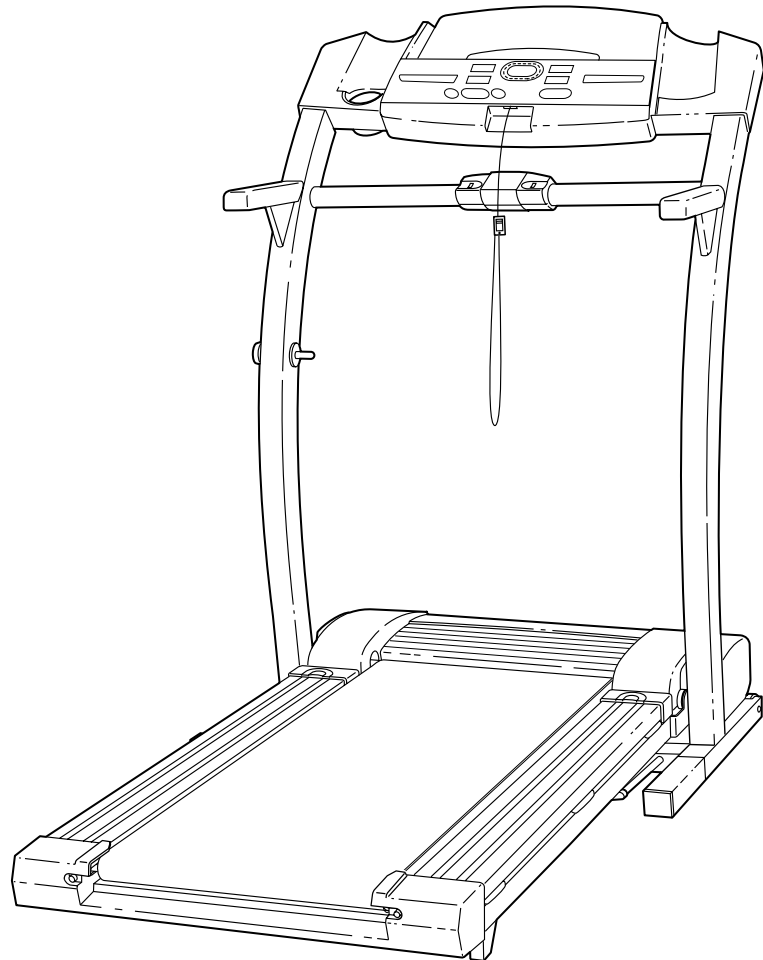


TABLE OF CONTENTS

IMPORTANT PRECAUTIONS	2
BEFORE YOU BEGIN	4
ASSEMBLY	5
OPERATION AND ADJUSTMENT	7
HOW TO FOLD AND MOVE THE TREADMILL	14
TROUBLE-SHOOTING	15
CONDITIONING GUIDELINES	17
PART LIST	18
LIMITED WARRANTY	19
ORDERING REPLACEMENT PARTS	Back Page

Note: An EXPLODED DRAWING is attached in the center of this manual.

IMPORTANT PRECAUTIONS

⚠ WARNING: To reduce the risk of burns, fire, electric shock, or injury to persons, read the following important precautions and information before operating the treadmill.

1. It is the responsibility of the owner to ensure that all users of this treadmill are adequately informed of all warnings and precautions.
2. Use the treadmill only as described in this manual.
3. Place the treadmill on a level surface, with at least eight feet of clearance behind it. Do not place the treadmill on any surface that blocks air openings. To protect the floor or carpet from damage, place a mat under the treadmill.
4. Keep the treadmill indoors, away from moisture and dust. Do not put the treadmill in a garage or covered patio, or near water.
5. Do not operate the treadmill where aerosol products are used or where oxygen is being administered.
6. Keep children under the age of 12 and pets away from the treadmill at all times.
7. The treadmill should not be used by persons weighing more than 250 pounds (114 kgs).
8. Never allow more than one person on the treadmill at a time.
9. Wear appropriate exercise clothing when using the treadmill. Do not wear loose clothing that could become caught in the treadmill. Athletic support clothes are recommended for both men and women. *Always wear athletic shoes. Never use the treadmill with bare feet, wearing only stockings, or in sandals.*
10. When connecting the power cord (see HOW TO PLUG IN THE POWER CORD on page 7), plug the power cord into a surge protector (not included) and plug the surge protector into a grounded circuit capable of carrying 15 or more amps. No other appliance should be on the same circuit.
11. Use only a CUL-listed surge protector, rated at 15 amps, with a 14-gauge cord of five feet or less in length. Do not use an extension cord.
12. Keep the power cord and the surge suppressor away from heated surfaces.
13. Never move the walking belt while the power is turned off. Do not operate the treadmill if the power cord or plug is damaged, or if the treadmill is not working properly. (See BEFORE YOU BEGIN on page 4 if the treadmill is not working properly.)
14. Never start the treadmill while you are standing on the walking belt. Always hold the handrails while using the treadmill.
15. The treadmill is capable of high speeds. Adjust the speed in small increments to avoid sudden jumps in speed.
16. The pulse sensor is not a medical device. Various factors, including the user's movement, may affect the accuracy of heart rate readings. The pulse sensor is intended only as an exercise aid in determining heart rate trends in general.
17. Never leave the treadmill unattended while it is running. Always remove the key, unplug the power cord and move the on/off switch to the off position when the treadmill is not in use. (See the drawing on page 4 for the location of the on/off switch.)
18. Do not attempt to raise, lower, or move the treadmill until it is properly assembled. (See ASSEMBLY on page 5, and HOW TO FOLD AND MOVE THE TREADMILL on page 14.) You must be able to safely lift 45 pounds (20 kg) in order to raise, lower, or move the treadmill.
19. Do not change the incline of the treadmill by placing objects under the treadmill.
20. When folding or moving the treadmill, make sure that the storage latch is fully closed.

21. When using i-Fit.com CD's and videos, an electronic "chirping" sound will alert you when the speed and/or incline of the treadmill is about to change. Always listen for the "chirp" and be prepared for speed and/or incline changes. In some instances, the speed and/or incline may change before the personal trainer describes the change.

22. When using i-Fit.com CD's and videos, you can manually override the speed and incline settings at any time by pressing the speed and incline buttons. However, when the next "chirp" is heard, the speed and/or incline will change to the next settings of the CD or video program.

23. Always remove i-Fit.com CD's and videos from your CD player or VCR when you are not using them.

24. Inspect and tighten all parts of the treadmill regularly.

25. Never insert or drop any object into any opening.

26. **DANGER:** Always unplug the power cord immediately after use, before cleaning the treadmill, and before performing the maintenance and adjustment procedures described in this manual. Never remove the motor hood unless instructed to do so by an authorized service representative. Servicing other than the procedures in this manual should be performed by an authorized service representative only.

27. This treadmill is intended for in-home use only. Do not use this treadmill in any commercial, rental, or institutional setting.

⚠ WARNING: Before beginning this or any exercise program, consult your physician. This is especially important for persons over the age of 35 or persons with pre-existing health problems. Read all instructions before using. SEARS assumes no responsibility for personal injury or property damage sustained by or through the use of this product.

SAVE THESE INSTRUCTIONS

The decals shown below have been placed on your treadmill. If a decal is missing, or if it is not legible, please call our toll-free Customer Service Department toll free to order a free replacement decal (see the back cover of this manual). Apply the decal in the location shown.

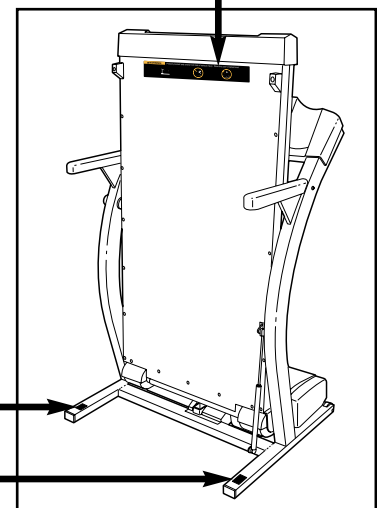
⚠ WARNING: Protect yourself and others from risk of serious injury. Read the user's manual and:

- Fully engage storage latch before treadmill is moved or stored.
- Reduce incline to lowest level before folding treadmill into storage position.
- Stand only on side rails when starting or stopping treadmill.
- Change speed in small increments.
- Hold handrails to prevent falling, and always wear the safety clip while operating treadmill.
- Stop if you feel faint, dizzy, or short of breath.
- Never allow children on or around treadmill.
- Remove key when not in use.
- Keep clothing, fingers, and hair away from moving belt.
- Never try to adjust or fix the belt while it is moving.
- Always wear athletic shoes while operating treadmill.





Note: This decal is shown at 38% of actual size.



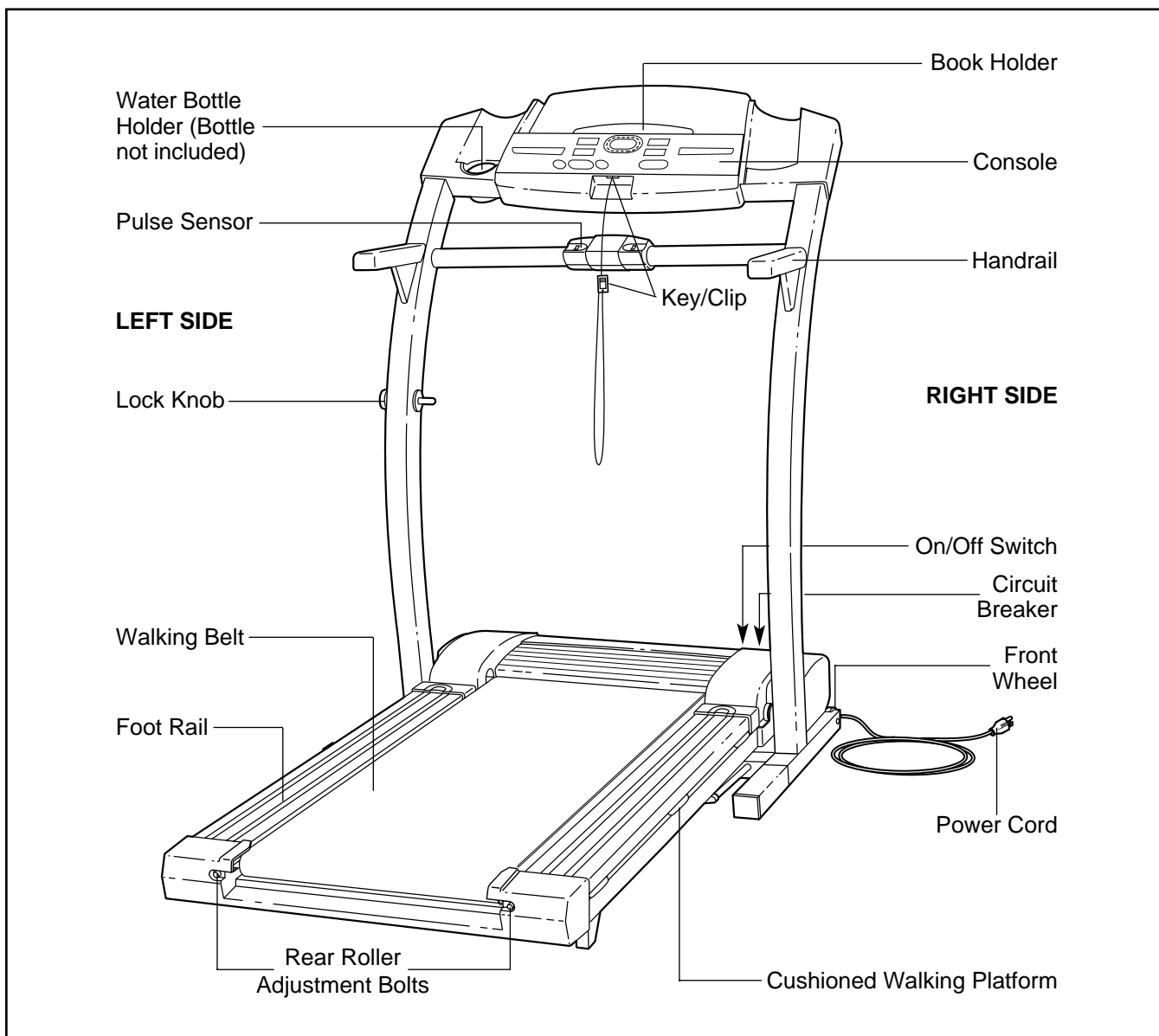
BEFORE YOU BEGIN

Thank you for selecting the revolutionary PROFORM® 630DS treadmill. The 630DS treadmill combines advanced technology with innovative design to help you get the most from your exercise program in the convenience and privacy of your home. And when you're not exercising, the unique 630DS can be folded up, requiring less than half the floor space of other treadmills.

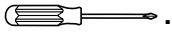
For your benefit, read this manual carefully before using the treadmill. If you have additional questions, please call our Customer Service Department toll-free

at **1-888-936-4266**, Monday through Thursday, 6 a.m. until 6:30 p.m. (excluding holidays). To help us assist you, please note the product model number and serial number before calling. The model number of the treadmill is PCTL63090. The serial number can be found on a decal attached to the treadmill (see the front cover of this manual for the location).

Before reading further, please review the drawing below and familiarize yourself with the parts that are labeled.



ASSEMBLY

Assembly requires two people. Set the treadmill in a cleared area and remove all packing materials. Do not dispose of the packing materials until assembly is completed. **Assembly requires the included allen wrench and your own phillips screwdriver** .

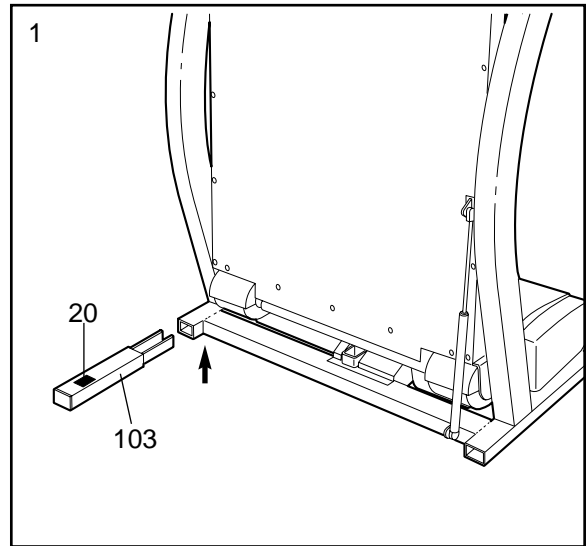
Note: The underside of the treadmill walking belt is coated with high-performance lubricant. During shipping, a small amount of lubricant may be transferred to the top of the walking belt or the shipping carton. This is a normal condition and does not affect treadmill performance. If there is lubricant on top of the walking belt, simply wipe off the lubricant with a soft cloth and a mild, non-abrasive cleaner.

1. With the help of a second person, carefully raise the treadmill to the upright position.

While a second person tips the treadmill to one side and holds it, insert one of the Extension Legs (103) into the treadmill as shown. Make sure that the Extension Leg is turned so the Warning Decal (20) is on the top.

Next, tip the treadmill to the other side and insert the other Extension Leg (not shown) in the same way. Lower the side of the treadmill so that both Extension Legs (103) are resting flat on the floor.

See HOW TO LOWER THE TREADMILL FOR USE on page 14.

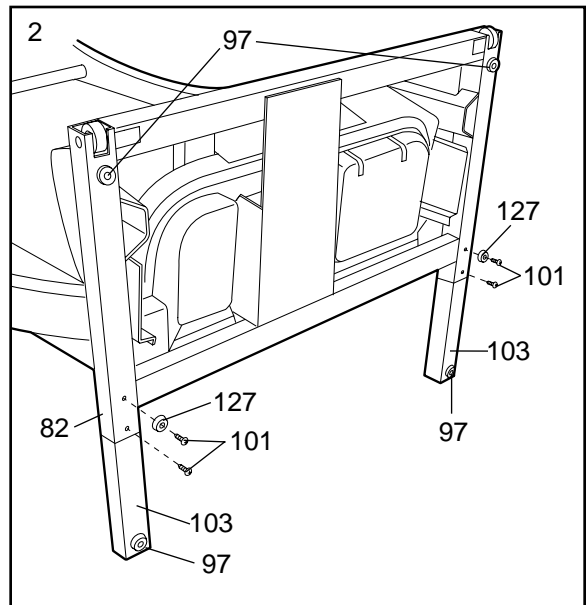


2. With the help of a second person, carefully tip the Uprights (82) down as shown. **Make sure that the Extension Legs (103) remain in the Uprights.**

Attach each Extension Leg (103) with two long Screws (101) and a Thin Base Pad (127) as shown.

With the help of a second person, carefully tip the Uprights (82) back to the vertical position.

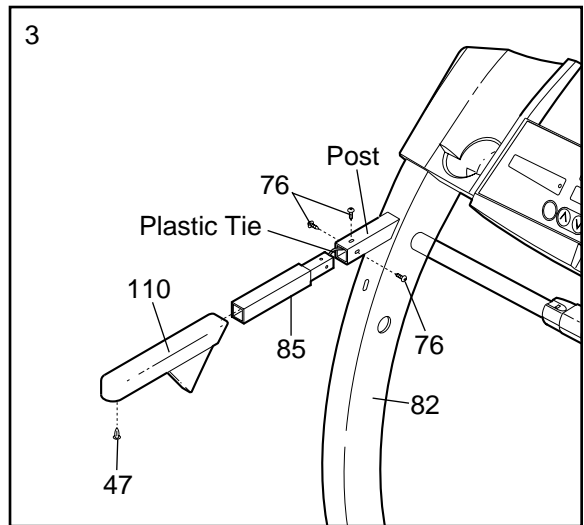
Note: One replacement Thin Base Pad (127) and Spacer (not shown) are included. If a Thin Base Pad (127) becomes worn and needs to be replaced, use the replacement Base Pad. If a Thick Base Pad (97) needs to be replaced, use the replacement Base Pad with the Spacer.



3. Locate the plastic tie in the post on the left Upright (82). Hold a Handrail Extension (85) in the position shown. Insert the plastic tie into the Handrail Extension as you insert the Handrail Extension into the post. Attach the Handrail Extension with three Screws (76). **Be careful to avoid damaging the pulse wire. The pulse wire is used with the optional chest pulse sensor (see page 14).**

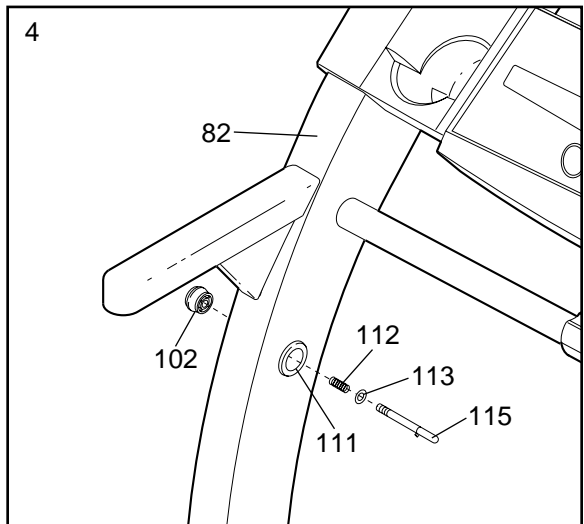
Slide a Handrail Foam Grip (110) onto the Handrail Extension (85). If it is difficult to slide on the Foam Grip, place a small amount of warm water and dish soap in the Foam Grip. Press a Plastic Fastener (47) into the Handrail Foam Grip.

Attach the other Handrail Extension and Handrail Foam Grip to the right Upright (not shown). Note: There is not a pulse wire in the right Upright.



4. Make sure that the Lock Knob Sleeve (111) is fully inserted into the left Upright (82).

Remove the Lock Knob (102) from the Lock Pin (115). Make sure that the Lock Pin Collar (113) and the Spring (112) are on the Lock Pin. Insert the Lock Pin into the left Upright (82) and tighten the Lock Knob onto it.

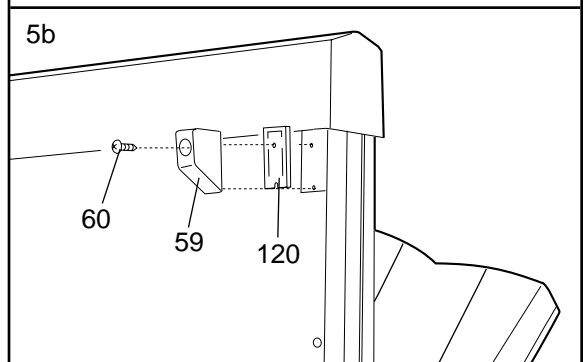
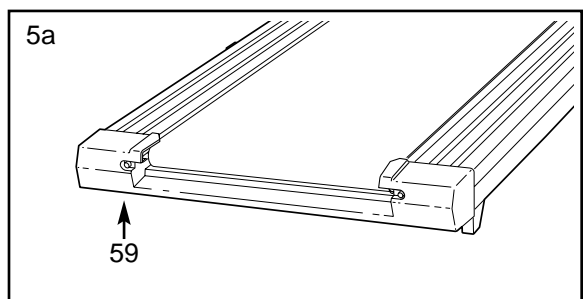


5. Refer to figure 6a. Look at the left Rear Foot (59) at the back of the treadmill. If the left Rear Foot touches the floor, go to step 7. If there is a space between the left Rear Foot and the floor, follow the instructions below.

Hold the treadmill firmly with both hands, and raise the treadmill to the storage position as described on page 19.

Refer to figure 6b. Using a phillips screwdriver, remove the Rear Foot Screw (60), the Rear Foot (59) Rear Foot Spacer (120) from the right side. Reattach the right Rear Foot with the Screw. Hold the treadmill firmly with both hands, and lower the treadmill as described on page 19.

Check the left Rear Foot again (not shown). If the left Rear Foot is still off the floor, raise the treadmill and remove the left Rear Foot. Snap the Rear Foot Spacer (120) onto the left Rear Foot and reattach the Rear Foot and Spacer to the treadmill. Carefully lower the treadmill.



6. **Make sure that all parts are tightened before you use the treadmill.** Keep the included allen wrench in a secure place. The allen wrench is used to adjust the walking belt (see page 17). To protect the floor or carpet from damage, place a mat under the treadmill.

OPERATION AND ADJUSTMENT

THE PERFORMANT LUBE™ WALKING BELT

Your treadmill features a walking belt coated with PERFORMANT LUBE™, a high-performance lubricant. **Important: Never apply silicone spray or other substances to the walking belt or the walking platform. They will deteriorate the walking belt and cause excessive wear.**

HOW TO PLUG IN THE POWER CORD

⚠ DANGER: Improper connection of the equipment-grounding conductor can result in an increased risk of electric shock. Check with a qualified electrician or serviceman if you are in doubt as to whether the product is properly grounded. Do not modify the plug provided with the product—if it will not fit the outlet, have a proper outlet installed by a qualified electrician.

Your treadmill, like any other type of sophisticated electronic equipment, can be seriously damaged by sudden voltage changes in your home's power. Voltage surges, spikes, and noise interference can result from weather conditions or from other appliances being turned on or off.

To decrease the possibility of your treadmill being damaged, always use a surge protector (not included) with your treadmill.

Surge protectors are sold at most hardware stores and department stores. Use only a CUL-listed surge protector, rated at 15 amps, with a 14-gauge cord of five feet or less in length.

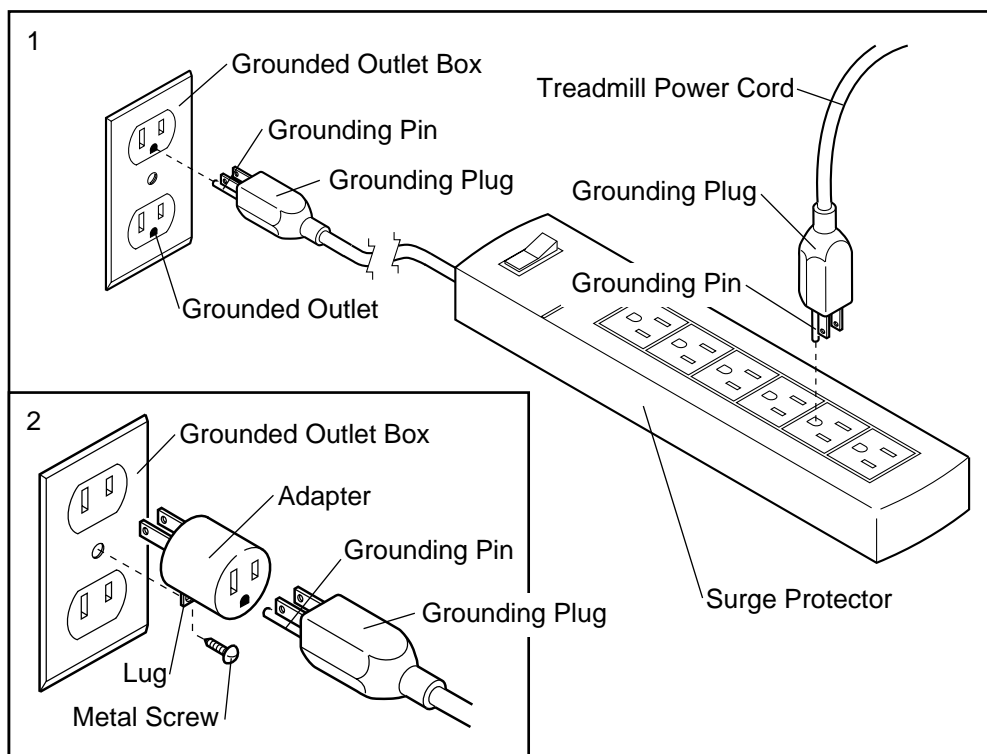
This product must be grounded. If it should malfunction or break down, grounding provides a path of least resistance for electric current to reduce the risk of

electric shock. This product is equipped with a cord having an equipment-grounding conductor and a grounding plug. **Plug the power cord into a surge protector, and plug the surge protector into an appropriate outlet that is properly installed and grounded in accordance with all local codes and ordinances.**

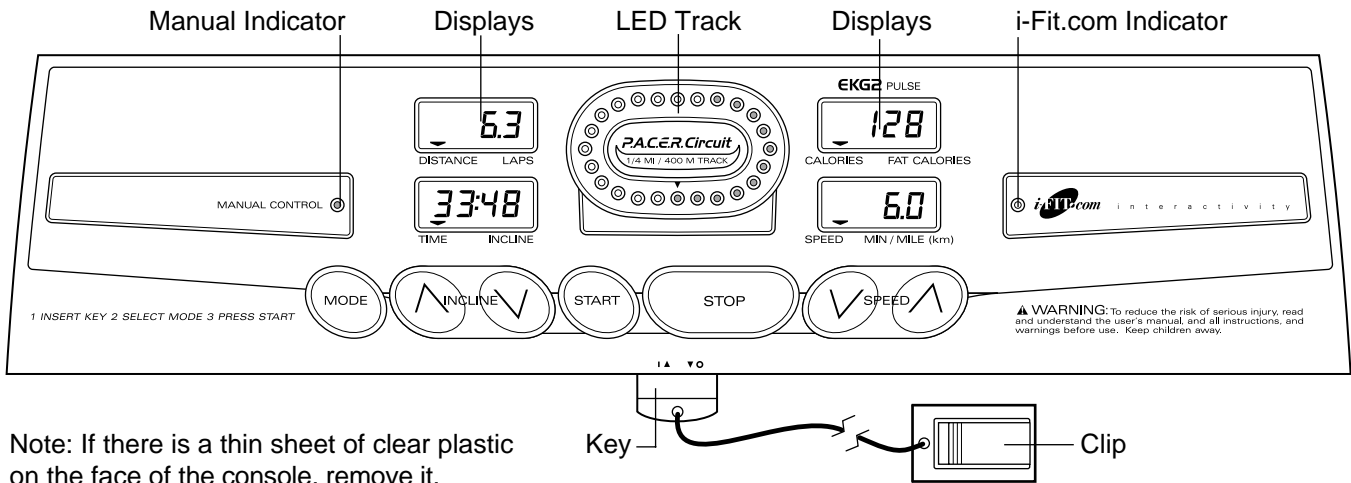
This product is for use on a nominal 120-volt circuit, and has a grounding plug that looks like the plug illustrated in drawing 1 below. A temporary adapter that looks like the adapter illustrated in drawing 2 may be used to connect the surge protector to a 2-pole receptacle as shown in drawing 2 if a properly grounded outlet is not available.

The temporary adapter should be used only until a properly grounded outlet (drawing 1) can be installed by a qualified electrician.

The green-colored rigid ear, lug, or the like extending from the adapter must be connected to a permanent ground such as a properly grounded outlet box cover. Whenever the adapter is used it must be held in place by a metal screw. **Some 2-pole receptacle outlet box covers are not grounded. Contact a qualified electrician to determine if the outlet box cover is grounded before using an adapter.**



CONSOLE DIAGRAM



Note: If there is a thin sheet of clear plastic on the face of the console, remove it.

CAUTION: Before operating the console, read the following precautions.

- Do not stand on the walking belt when turning on the power.
- Always wear the clip (see the drawing above) while operating the treadmill.
- Adjust the speed in small increments in order to avoid sudden jumps in speed.
- To reduce the possibility of electric shock, keep the console dry. Avoid spilling liquids on the console and place only a sealed water bottle in the water bottle holder.

FEATURES OF THE CONSOLE

The treadmill console offers an impressive array of features designed to help you get the most from your exercise program. When the manual mode of the console is selected, the speed and incline of the treadmill can be controlled with a touch of a button. As you exercise, four displays will provide continuous exercise feedback. You can even measure your heart rate using the built-in pulse sensor.

The console also features revolutionary i-Fit.com interactive technology. This breakthrough technology is like having a personal trainer right in your home. Using the included audio cable, you can connect the treadmill to your home stereo, portable stereo, or computer, and

play special i-Fit.com CD's (one CD is included). These CD's interactively control the speed and incline of the treadmill while a personal trainer coaches you through each step of your workout. High-energy music provides added motivation. Each CD features two different 30-minute workout programs designed by certified personal trainers.

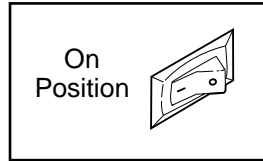
In addition, you can connect the treadmill to your VCR and TV and play i-Fit.com videocassettes (not included). These unique videocassettes offer the same benefits as i-Fit.com CD's, but add the excitement and motivation of working out with a group and an instructor—the hottest new trend at health clubs.

By plugging an optional upgrade module into the console, you can add virtually endless options to your treadmill. The upgrade module enables you to connect the treadmill to your home computer and log on to www.i-fit.com, our powerful internet site to be launched October 1, 1999. By accessing www.i-fit.com, you can download a large selection of workout programs that match your specific exercise goals, access CD and video workouts via the internet, participate in live web-cast workouts, and watch exercise demonstrations via web video conferences. You can even chat live with your personal trainer and get individual fitness instruction.

For information about other optional accessories, see page 13.

STEP-BY-STEP CONSOLE OPERATION

Before operating the console, make sure that the on/off switch near the power cord is in the on position. Next, make sure that the key is removed from the console and the power cord is properly plugged in (see HOW TO PLUG IN THE POWER CORD on page 7).



When you are ready to begin exercising, step onto the foot rails of the treadmill. Find the clip attached to the key (see the drawing on page 8), and slide the clip onto the waistband of your clothing.

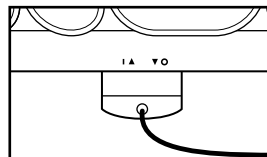
To use the manual mode, follow the steps below and on page 11. To use i-Fit.com CD's or videocassettes (not included), refer to page 11. To use other i-Fit.com technology, see page 13.

Note: The console can display speed and distance in either miles or kilometers (see SPEED/MIN-MILE DISPLAY on page 11). For simplicity, all instructions in this manual refer to miles.

HOW TO USE THE MANUAL MODE

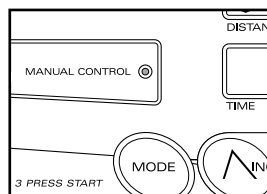
1 Insert the key fully into the console.

When the key is inserted, the four displays and various indicators on the console will light.



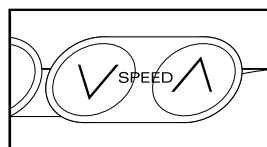
2 Select the manual mode.

When the key is inserted, the manual mode will automatically be selected. If the i-Fit.com indicator is lit, press the MODE button to select the manual mode.



3 Press the START button or the SPEED Δ button to start the walking belt.

A moment after the button is pressed, the walking belt will begin to move at 1 mph. Hold the handrails and carefully

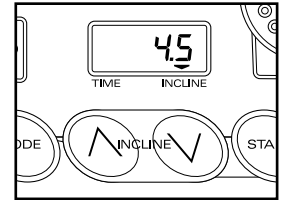


begin walking. As you exercise, change the speed of the walking belt as desired by pressing the SPEED buttons.

To stop the walking belt, press the STOP button. The TIME/INCLINE display will begin to flash. To restart the walking belt, press the START button or the SPEED Δ button.

4 Change the incline of the treadmill as desired.

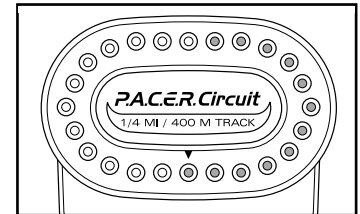
To vary the intensity of your exercise, change the incline of the treadmill by pressing the INCLINE buttons. Each time one of the buttons is pressed, the incline will change by 0.5%. The incline range is 1.5% to 12%. Note: When one of the INCLINE buttons is pressed, the TIME/INCLINE display will show the incline setting for seven seconds. After the buttons are pressed, it may take a moment for the treadmill to reach the selected incline setting.



5 Follow your progress with the LED track and the four displays.

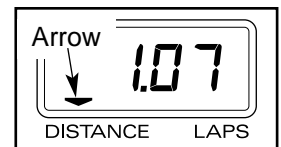
The LED Track—

The LED track represents a distance of 1/4 mile. As you exercise, the indicators around the track will light one at a time until you have completed 1/4 mile. A new lap will then begin.



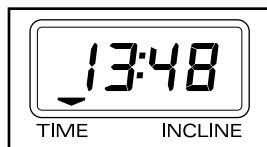
DISTANCE/LAPS display—

This display shows the distance that you have walked or run and the number of laps you have completed (one lap equals 1/4 mile). The display will alternate between one number and the other every seven seconds, as shown by the arrows in the display.



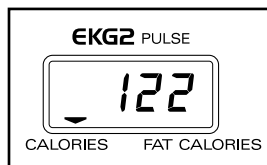
TIME/INCLINE

display—This display shows the elapsed time and the incline level of the treadmill. The incline level will be shown for seven seconds each time the incline is adjusted.



CALORIES/FAT CALORIES/PULSE

display—This display shows the approximate numbers of *calories* and *fat calories* you have burned (see FAT BURNING on page 17). Every seven seconds, the display will change from one number to the other, as shown by the arrows in the display. This display will also show your heart rate when the pulse sensor is used (see step 6 on this page).

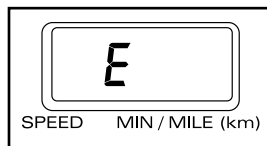


SPEED/MIN-MILE

display—This display shows the speed of the walking belt and your current pace (pace is measured in *minutes per mile*). Every seven seconds, the display will change from one number to the other, as shown by the arrows in the display.



Note: The SPEED/MIN-MILE display can show speed in either miles per hour or kilometers per hour. To determine which unit of measurement is selected, hold down the STOP button while inserting the key into the console. An “E,” for english miles, or an “M,” for metric kilometers, will appear in the display. Press the SPEED Δ button to change the unit of measurement. When the desired unit of measurement is selected, remove and then reinsert the key.

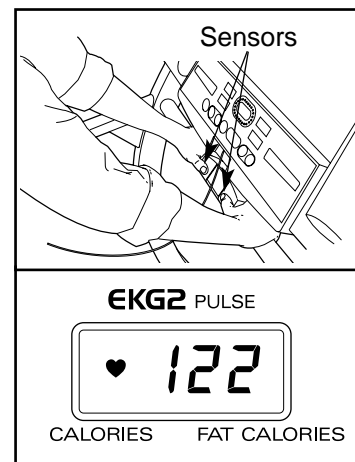


To reset the displays, press the STOP button to stop the walking belt and then press the STOP button again.

6 Measure your pulse, if desired.

Note: When using the pulse sensor, make sure that your hands are clean. The pulse sensor should also be kept clean with a damp cloth and mild detergent.

To measure your pulse, stand on the foot rails and place **both thumbs** on the pulse sensors as shown. **Do not press too hard, or the circulation in your thumbs will be restricted and your pulse will not be detected.**

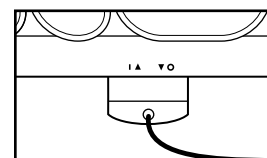


Next, wait until the heart-shaped indicator in the CALORIES/FAT CALORIES/PULSE display flashes **steadily**. After a few seconds, three dashes will appear in the display and your pulse will be shown. Hold your thumbs on the sensor for another 15 seconds for the most accurate reading.

If the displayed pulse appears to be too high or too low, or if your pulse is not displayed, lift your thumbs off the sensors and allow the display to reset. Then, place your thumbs on the sensors as described above. Try the pulse sensor several times until you become familiar with it. Remember to stand still while measuring your pulse.

7 When you are finished exercising, remove the key.

Step onto the foot rails, press the STOP button, and remove the key from the console. Keep the key in a secure place.



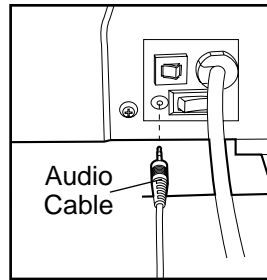
Note: If the displays and various indicators on the console remain lit after the key is removed, the console is in the “demo” mode. Refer to page 13 and turn off the demo mode.

When you are finished using the treadmill, move the on/off switch near the power cord to the off position.

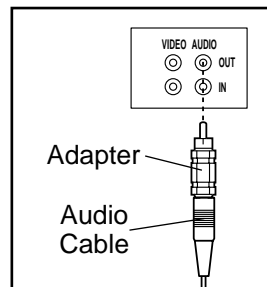
HOW TO USE I-FIT.COM CD'S AND VIDEOS

To use i-Fit.com CD's, you must first connect the treadmill to your home stereo, portable stereo, or computer with CD player. To do this, follow steps A to D below.

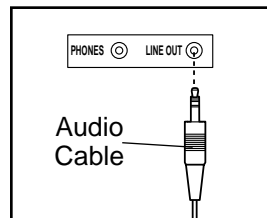
- A. Plug one end of the included audio cable into the jack near the treadmill power cord. **Make sure that the audio cable is fully plugged in and that it is not wrapped around the power cord.**



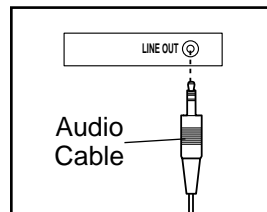
- B. To connect the treadmill to a home stereo, plug the other end of the audio cable into the included adapter and plug the adapter into a LINE OUT or an AUDIO OUT jack on the stereo.



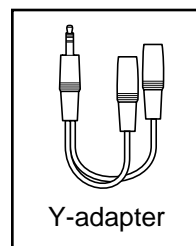
- C. To connect the treadmill to a portable stereo, plug the other end of the audio cable into a LINE OUT or an AUDIO OUT jack on the portable stereo.



- D. To connect the treadmill to a computer, plug the other end of the audio cable into a LINE OUT or an AUDIO OUT jack on the computer.



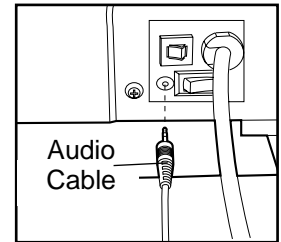
Note: Depending on the model of your stereo or computer, the jacks may be labeled differently. If the jacks are already used or if you need to connect the audio cable to a SPEAKER jack or a HEADPHONE jack, you must purchase a Y-adaptor at your local electronics store.



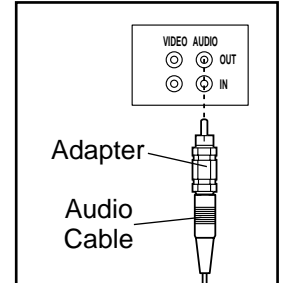
CAUTION: You must be able to hear the audio through speakers or headphones in order to use i-Fit.com CD's or videos.

To use i-Fit.com videos, you must connect the treadmill to your VCR or TV. To do this, follow steps A to C below.

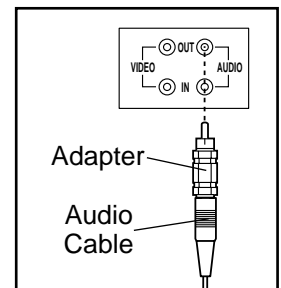
- A. Plug one end of the included audio cable into the jack near the treadmill power cord. **Make sure that the audio cable is fully plugged in and that it is not wrapped around the power cord.**



- B. To connect the treadmill to a VCR, plug the other end of the audio cable into the included adapter and plug the adapter into an AUDIO OUT jack on the VCR.



- C. To connect the treadmill to a TV, plug the other end of the audio cable into the included adapter and plug the adapter into an AUDIO OUT jack on the TV.

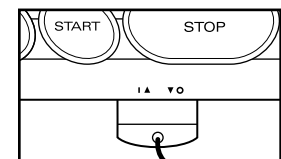


Note: If your VCR is connected to a home stereo, you may connect the audio cable to the home stereo as described in step B at the left. Remember, **you must be able to hear the audio through speakers or headphones in order to use i-Fit.com CD's or videos.**

When the audio cable is properly connected, make sure that the on/off switch near the treadmill power cord is in the on position. Next, make sure that the power cord is properly plugged in. Follow the steps below to use an i-Fit.com CD or video. **Note:** The instructions included in the CD case describe how to use the CD with a variety of PROFORM treadmills. Some instructions may not apply to this treadmill.

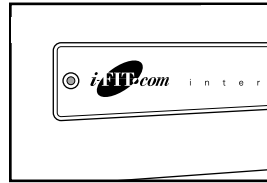
- 1** Insert the key fully into the console.

When the key is inserted, the four displays and various indicators on the console will light.



2 Press the MODE button.

When the key is inserted, the manual mode will automatically be selected. To use an i-Fit.com CD or video, press the MODE button. The i-Fit.com indicator will light.



3 Insert the i-Fit.com CD or video.

If you are using an i-Fit.com CD, insert the CD into your CD player. If you are using an i-Fit.com video, insert the video into your VCR.

4 Press the PLAY button on your CD player or VCR.

A moment after the button is pressed, your personal trainer will begin guiding you through your workout. Simply follow your personal trainer's instructions.

During the CD or video program, an electronic "chirping" sound will alert you when the speed and/or incline of the treadmill is about to change. **CAUTION: Always listen for the "chirp" and be prepared for speed and/or incline changes. In some instances, the speed and/or incline may change before the personal trainer describes the change.**

If the speed or incline settings are too high or too low, you can manually override the settings at any time by pressing the SPEED or INCLINE buttons on the console. However, **when the next "chirp" is heard, the speed and/or incline will change to the next settings of the CD or video program.**

To stop the program at any time, press the STOP button on the console. The TIME/INCLINE display will begin to flash. To restart the program, press the START button again. After a moment, the walking belt will begin to move at 1 mph. **When the next "chirp" is heard, the speed and incline will change to the next settings of the CD or video program.** The program can also be stopped by pressing the STOP button on your CD player or VCR.

When the CD or video program is completed, the walking belt will stop and the TIME/INCLINE display will begin to flash. Note: To use another CD or video program, press the STOP button or remove the key and go to step 1 on page 12.

Note: If the speed or incline of your treadmill does not change when a "chirp" is heard, make sure that the i-Fit.com indicator is lit and the TIME/INCLINE display is not flashing. Next, adjust the volume of your CD player or VCR. If the volume is too high or too low, the console may not detect the signals from your CD player or VCR. In addition, make sure that the audio cable is properly connected. If you are using your portable CD player and the CD skips, set the CD player on the floor or another surface instead of on the console.

5 Follow your progress with the LED track and the four displays.

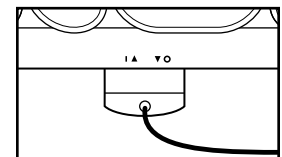
See step 5 on page 10.

6 Measure your pulse, if desired.

See step 6 on page 11.

7 When the i-Fit.com CD or video is finished, remove the key.

Step onto the foot rails and remove the key from the console. Keep the key in a secure place.



Note: If the displays and various indicators on the console remain lit after the key is removed, the console is in the "demo" mode. Refer to page 14 and turn off the demo mode.

CAUTION: Always remove i-Fit.com CD's and videos from your CD player or VCR when you are finished using them.

When you are finished using the treadmill, move the on/off switch near the power cord to the off position.

HOW TO USE OTHER I-FIT.COM TECHNOLOGY

By adding the optional upgrade module to the console, you can add virtually endless options to your treadmill. To purchase the upgrade module, visit your local department store or sporting goods store or go to www.i-fit.com.

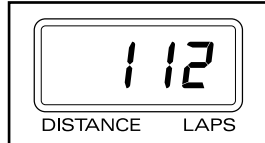
Instructions for using other i-Fit.com options will be included with the upgrade module. In addition, **make sure to explore www.i-fit.com to learn more about how you can get the most from i-Fit.com technology!**

THE INFORMATION MODE

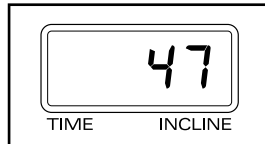
The console features an information mode that keeps track of the total number of hours that the treadmill has been operated and the total number of miles that the walking belt has moved. The information mode also allows you to switch the console from miles per hour to kilometers per hour.

To select the information mode, hold down the STOP button while inserting the key into the console. When the information mode is selected, the following information will be shown:

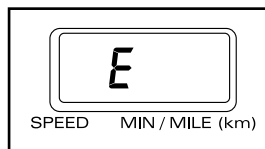
The DISTANCE/LAPS display will show the total number of miles that the walking belt has moved.



The TIME/INCLINE display will show the total number of hours the treadmill has been used.



An "E," for english miles, or an "M," for metric kilometers, will appear in the SPEED/ MIN-MILE display. Press the SPEED Δ button to change the unit of measurement.



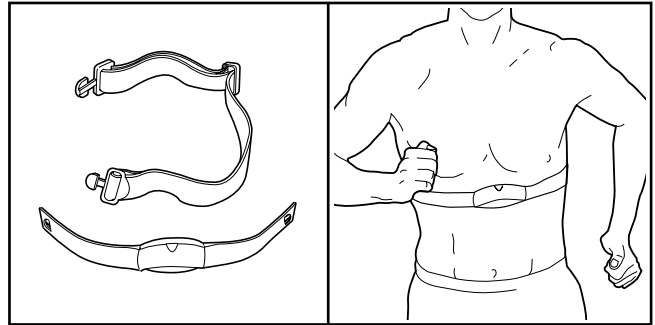
IMPORTANT: The CALORIES/FAT CALORIES/PULSE display should be blank. If a "d" appears in the display, the console is in the "demo" mode. This mode is intended to be used only when a treadmill is displayed in a store. When the console is in the demo mode, the power cord can be plugged in, the key can be removed from the console, and the displays and indicators on the console will automatically light in a preset sequence, although the buttons on the console will not operate. **If a "d" appears in the CALORIES/FAT CALORIES/ PULSE display when the information mode is selected, press the SPEED ∇ button so the CALORIES/ FAT CALORIES/PULSE display is blank.**



To exit the information mode, remove the key from the console.

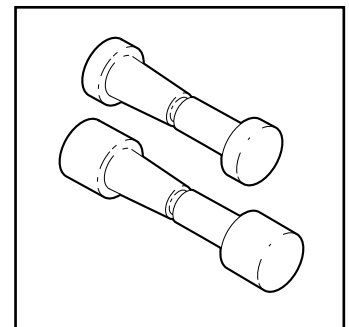
OPTIONAL CHEST PULSE SENSOR

An optional chest pulse sensor adds even more features to the console. The chest pulse sensor offers hands-free operation and continuously monitors your heart rate during your workouts. **To purchase the optional chest pulse sensor, call the toll-free telephone number listed on the back cover of this manual.**



OPTIONAL HAND WEIGHTS

Optional hand weights let you include upper-body exercise in your workouts. The hand weights fit into convenience holders in the console. **To purchase the optional hand weights, call the toll-free telephone number listed on the back cover of this manual.**

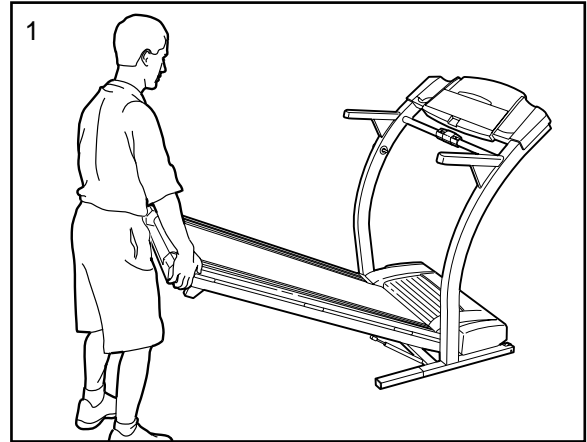


HOW TO FOLD AND MOVE THE TREADMILL

HOW TO FOLD THE TREADMILL FOR STORAGE

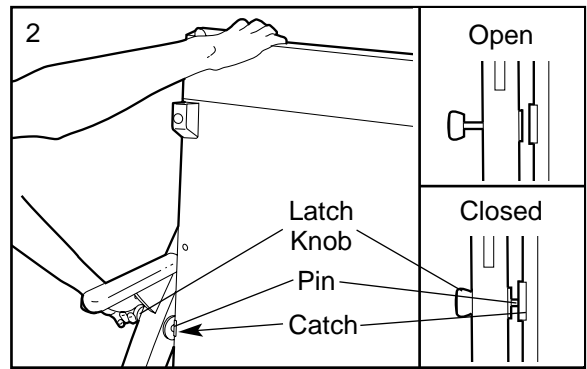
Before folding the treadmill, adjust the incline to the lowest position. If this is not done, the treadmill may be permanently damaged. Next, unplug the power cord. **CAUTION: You must be able to safely lift 45 pounds (20 kg) in order to raise, lower, or move the treadmill.**

1. Hold the treadmill with your hands in the locations shown at the right. **CAUTION: To decrease the possibility of injury, bend your legs and keep your back straight. As you raise the treadmill, make sure to lift with your legs rather than your back.** Raise the treadmill about halfway to the vertical position.



2. Move your right hand to the position shown and hold the treadmill firmly. Using your left hand, pull the latch knob to the left and hold it. Raise the treadmill until the latch pin is aligned with the hole in the catch. Insert the latch pin into the catch. **Make sure that the latch pin is fully inserted into the catch.**

To protect the floor or carpet from damage, place a mat under the treadmill. Keep the treadmill out of direct sunlight. Do not leave the treadmill in the storage position in temperatures above 85° Fahrenheit.



HOW TO MOVE THE TREADMILL

Before moving the treadmill, convert the treadmill to the storage position as described above. **Make sure that the storage latch is closed fully over the catch.**

1. Hold the handrails as shown and place one foot against a wheel.
2. Tilt the treadmill back until it rolls freely on the front wheels. Carefully move the treadmill to the desired location. **Never move the treadmill without tipping it back. To reduce the risk of injury, use extreme caution while moving the treadmill. Do not attempt to move the treadmill over an uneven surface.**
3. Place one foot on the base, and carefully lower the treadmill until it is resting in the storage position.



HOW TO LOWER THE TREADMILL FOR USE

1. Refer to drawing 2 above. Hold the treadmill with your right hand as shown. Using your left hand, pull the latch knob to the left and hold it. Pivot the treadmill down until the frame is past the pin. Slowly release the latch knob.
2. Refer to drawing 1. Hold the treadmill firmly with both hands, and lower the treadmill to the floor. **CAUTION: To decrease the possibility of injury, bend your legs and keep your back straight.**

TROUBLE-SHOOTING

Most treadmill problems can be solved by following the steps below. Find the symptom that applies, and follow the steps listed. If further assistance is needed, please call our Customer Service Department toll-free at 1-888-936-4266, Monday through Friday, 6 a.m. until 6:30 p.m Eastern Time (excluding holidays).

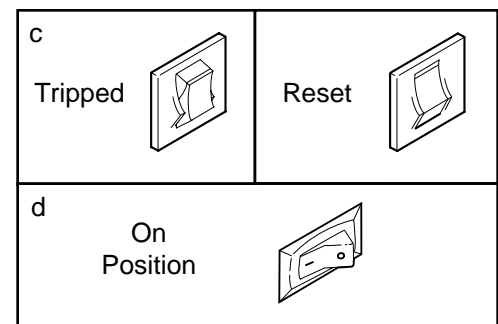
PROBLEM: The power does not turn on

SOLUTION: a. Make sure that the power cord is plugged into a surge protector, and that the surge protector is plugged into a properly grounded outlet. (See HOW TO PLUG IN THE POWER CORD on page 7.) Use only a CUL-listed surge protector, rated at 15 amps, with a 14-gauge cord of five feet or less in length.

b. After the power cord has been plugged in, make sure that the key is fully inserted into the console. See step 1 on page 9.

c. Check the circuit breaker located on the treadmill near the power cord. If the switch protrudes as shown, the circuit breaker has tripped. To reset the circuit breaker, wait for five minutes and then press the switch back in.

d. Check the on/off switch located on the treadmill near the power cord. The switch must be in the on position.



PROBLEM: The power turns off during use

SOLUTION: a. Check the circuit breaker located on the treadmill frame near the power cord (see 1. c. above). If the circuit breaker has tripped, wait for five minutes and then press the switch back in.

b. Make sure that the power cord is plugged in.

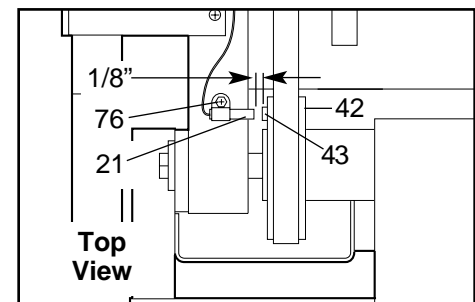
c. Remove the key from the console. Reinsert the key fully into the console. See step 1 on page 9.

d. Make sure that the on/off switch is in the on position.

e. If the treadmill still will not run, please call our Customer Service Department.

PROBLEM: The speed display on the console does not function properly

SOLUTION: a. Remove the key from the console and **unplug the power cord**. Remove the screws from the hood and carefully remove the hood. Locate the Reed Switch (21) and the Magnet (43) on the left side of the Pulley (42). Turn the Pulley until the Magnet is aligned with the Reed Switch. **Make sure that the gap between the Magnet and the Reed Switch is about 1/8"**. If necessary, loosen the Reed Switch Screw (76) and move the Reed Switch slightly. Retighten the Screw. Re-attach the hood, and run the treadmill for a few minutes to check for a correct speed reading.



PROBLEM: The pulse display on the console does not function properly

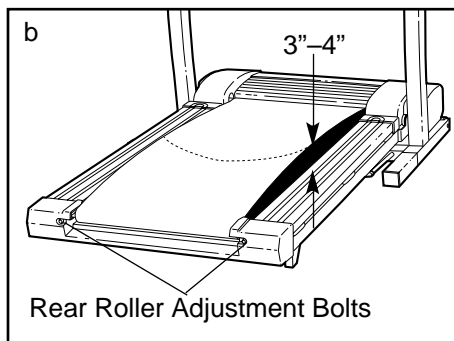
SOLUTION: a. Wash your hands prior to using the pulse sensor. Clean the sensor with a damp cloth and a little dish soap.

b. Make sure that there is not a bright light or direct sunlight shining directly on the pulse sensor.

PROBLEM: The walking belt slows when walked on

SOLUTION: a. Use only a UL-listed surge protector, rated at 15 amps, with a 14-gauge cord of five feet or less in length.

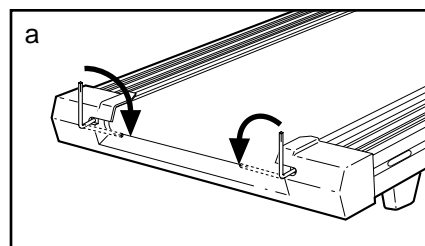
b. If the walking belt is overtightened, treadmill performance may decrease and the walking belt may become damaged. Remove the key and **UNPLUG THE POWER CORD**. Using the allen wrench, turn both rear roller adjustment bolts counterclockwise, 1/4 of a turn. When the walking belt is properly tightened, you should be able to lift each side of the walking belt 3 to 4 inches (7 to 10 cm) off the walking platform. Be careful to keep the walking belt centered. Plug in the power cord, insert the key and run the treadmill for a few minutes. Repeat until the walking belt is properly tightened.



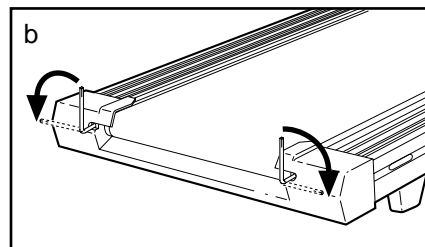
c. If the walking belt still slows when walked on, please call our customer service department.

PROBLEM: The walking belt is off-center

SOLUTION: a. **If the walking belt has shifted to the left**, first remove the key and **UNPLUG THE POWER CORD**. Using the allen wrench, turn the left rear roller adjustment bolt clockwise, and the right bolt counterclockwise, 1/4 of a turn each. Be careful not to overtighten the walking belt. Plug in the power cord, insert the key and run the treadmill for a few minutes. Repeat until the walking belt is centered.

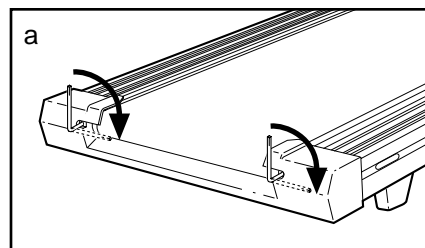


b. **If the walking belt has shifted to the right**, first remove the key and **UNPLUG THE POWER CORD**. Using the allen wrench, turn the left rear roller adjustment bolt counterclockwise, and the right bolt clockwise, 1/4 of a turn each. Be careful not to overtighten the walking belt. Plug in the power cord, insert the key and run the treadmill for a few minutes. Repeat until the walking belt is centered.



PROBLEM: The walking belt slips when walked on

SOLUTION: a. If the walking belt slips when walked on, first remove the key and **UNPLUG THE POWER CORD**. Using the allen wrench, turn both rear roller adjustment bolts clockwise, 1/4 of a turn. When the walking belt is correctly tightened, you should be able to lift each side of the walking belt 3 to 4 inches (7 to 10 cm) off the walking platform. Be careful to keep the walking belt centered. Plug in the power cord, insert the key and carefully walk on the treadmill for a few minutes. Repeat until the walking belt is properly tightened.



PROBLEM: The incline of the treadmill does not change correctly or does not change when i-Fit.com CD's and videos are played

SOLUTION: a. With the key inserted in the console, press one of the INCLINE buttons. **While the incline is changing, remove the key.** After a few seconds, re-insert the key. The treadmill will automatically rise to the maximum incline level and then return to the minimum level. This will recalibrate the incline.

CONDITIONING GUIDELINES

⚠ WARNING: Before beginning this or any exercise program, consult your physician. This is especially important for individuals over the age of 35 or individuals with pre-existing health problems.

The pulse sensor is not a medical device. Various factors, including your movement, may affect the accuracy of heart rate readings. The sensor is intended only as an exercise aid in determining heart rate trends in general.

The following guidelines will help you to plan your exercise program. Remember—these are general guidelines only. For more detailed exercise information, obtain a reputable book or consult your physician.

EXERCISE INTENSITY

Whether your goal is to burn fat or to strengthen your cardiovascular system, the key to achieving the desired results is to exercise with the proper intensity. The proper intensity level can be found by using your heart rate as a guide. The chart below shows recommended heart rates for fat burning and aerobic exercise.

AEROBIC	165	155	145	140	130	125	115
MAX FAT BURN	145	138	130	125	118	110	103
FAT BURN	125	120	115	110	105	95	90
Age	20	30	40	50	60	70	80

To find the proper heart rate for you, first find your age near the bottom of the chart (ages are rounded off to the nearest ten years). Next, find the three numbers above your age. The three numbers define your “training zone.” The lower two numbers are recommended heart rates for fat burning; the higher number is the recommended heart rate for aerobic exercise.

To measure your heart rate during exercise, use the pulse sensor on the console. If your heart rate is too high or too low, adjust the speed and incline of the treadmill.

Fat Burning

To burn fat effectively, you must exercise at a relatively low intensity level for a sustained period of time.

During the first few minutes of exercise, your body uses easily accessible *carbohydrate calories* for energy. Only after the first few minutes does your body begin to use stored *fat calories* for energy. If your goal is to burn fat, adjust the speed and incline of the treadmill until your heart rate is near the lowest number in your training zone.

For maximum fat burning, adjust the speed and incline of the treadmill until your heart rate is near the middle number in your training zone.

Aerobic Exercise

If your goal is to strengthen your cardiovascular system, your exercise must be “aerobic.” Aerobic exercise is activity that requires large amounts of oxygen for prolonged periods of time. This increases the demand on the heart to pump blood to the muscles, and on the lungs to oxygenate the blood. For aerobic exercise, adjust the speed and incline of the treadmill until your heart rate is near the highest number in your training zone.

WORKOUT GUIDELINES

Each workout should include the following three parts:

A Warm-up—Start each workout with 5 to 10 minutes of stretching and light exercise. A proper warm-up increases your body temperature, heart rate and circulation in preparation for exercise.

Training Zone Exercise—After warming up, increase the intensity of your exercise until your pulse is in your training zone for 20 to 60 minutes. (During the first few weeks of your exercise program, do not keep your pulse in your training zone for longer than 20 minutes.) Breathe regularly and deeply as you exercise—never hold your breath.

A Cool-down—Finish each workout with 5 to 10 minutes of stretching to cool down. This will increase the flexibility of your muscles and will help prevent post-exercise problems.

Exercise Frequency

To maintain or improve your condition, complete three workouts each week, with at least one day of rest between workouts. After a few months, you may complete up to five workouts each week if desired.

The key to success is to make exercise a regular and enjoyable part of your everyday life.

PART LIST—Model No. PCTL63090

R0700A

To locate the parts listed below, refer to the EXPLODED DRAWING attached in the center of this manual.

Key No.	Qty.	Description	Key No.	Qty.	Description	Key No.	Qty.	Description
1	1	Motor Belt	47	14	Plastic Fastener	96	1	Incline Motor Shield
2	1	Pulley/Flywheel/Fan	48	1	Shield	97	4	Base Pad
3	4	Motor Nut	49	2	Belt Guide	98	1	12" Audio Wire
4*	1	Motor/Pulley/ Flywheel/ Fan	50	1	Book Holder	99	1	Upright Grommet
			51	1	Front Belly Pan	100	1	Allen Wrench
5	1	Incline Motor Bolt	52	1	Power Supply w/Clips	101	11	Long Screw
6	1	Plastic Incline Motor Spacer	53	4	Cable Tie Clamp	102	1	Lock Knob
			54	4	Releasable Cable Tie	103	2	Extension Leg
7	1	Incline Motor	55	1	Walking Belt	104	2	Extension Leg Cap
8	1	Stop Bracket	56	1	20" Wire Harness	105	1	Shock
9	1	Small Nut	57	1	Rear Roller	106	1	Choke
10	2	Star Washer	58	2	Rear Isolator	107	2	Pulse Bar Bolt
11	1	Optic Switch	59	2	Rear Foot	108	2	Pulse Bar Washer
12	1	Frame	60	1	Rear Foot Screw	109	1	Pulse Bar
13	1	Small Bolt	61	1	Ground Wire	110	2	Handrail Foam Grip
14	1	Incline Optic Disk	62	8	Ground Wire Screw	111	1	Lock Knob Sleeve
15	8	Incline Motor Nut	63	1	Belly Pan	112	1	Spring
16	4	Hood Screw	64	1	Rear Endcap	113	1	Lock Pin Collar
17	4	Plastic Stand-Off	65	2	Rear Roller Adj. Bolt	114	1	Pin Clip
18	2	Hood Bracket (short)	66	1	Motor	115	1	Lock Pin
19	1	Hood Bracket (long)	67	1	Latch Decal	116	1	Console Base Bottom
20	2	Warning Decal	68	4	Rear Platform Screw	117	2	Upright Endcap
21	1	Reed Switch	69	6	Electronics Screw	118	1	Incline Pivot Bolt
22	1	Reed Switch Clip	70	1	Latch Catch	119	11	Hood Bracket Screw/ Incline Shield Screw
23	1	Motor/Controller Wire	71	1	Walking Platform			
24	1	Controller	72	5	8" Cable Tie	120	1	Rear Foot Spacer
25	1	Electronics Bracket	73	1	Jack	121	1	I-Fit.com CD
26	1	Circuit Breaker	74	1	Motor Tension Bolt	122**	1	Hand Weight Set
27	1	Power Cord	75	1	Static Warning Decal	123**	1	Chest Pulse Sensor
28	1	Power Cord Grommet	76	14	Screw	124	1	Metal Incline Spacer
29	1	On/Off Switch	77	1	Console	125	1	Chest Pulse Wire 50"
30	1	Inlet Bracket	78	2	Handrail Screw	126	1	25" Chest Pulse Wire
31	1	Incline Leg	79	4	Long Screw	127	2	Thin Base Pad
32	2	Frame Pivot Bolt	80	1	10' I-Fit Wire	#	1	10" White Wire, 2F
33	2	Frame Pivot Spacer	81	4	Motor Star Washer	#	1	8" White Wire, 2F
34	1	Upright Wire Harness	82	1	Upright	#	1	4" White Wire, M/F
35	1	Front Roller Adj. Bolt	83	2	Incline Leg Pivot Bolt	#	1	9" Wire Harness
36	3	Roller Adj. Washer	84	2	Incline Leg Pivot Washer	#	1	8" Blue Wire, 2F
37	3	Motor Tension Nut/ Front Roller Nut	85	2	Handrail Extension	#	1	4" Blue Wire, 2F
			86	2	Wheel Bolt	#	1	4" Black Wire, 2F
38	4	Motor Bolt	87	1	Console Base	#	1	4" Green Wire, F/Ring
39	2	Cap Screw	88	1	Motor Tension Washer	#	1	8" Green Wire, F/Ring
40	1	Left Foot Rail Cap	89	10	Console/Catch Screw	#	1	8" Green Wire, 2 Ring
41	2	Foot Rail	90	1	Key/Clip	#	1	4" Red Wire, M/F
42	1	Front Roller/Pulley	91	1	Incline Motor Plate	#	1	User's Manual
43	1	Magnet	92	1	Latch Assembly			
44	4	Platform Screw	93	1	Motor Tension Spacer			
45	4	Isolator	94	1	Motor Hood			
46	10	Isolator Screw/ Console Plate	95	2	Front Wheel			

* Includes all parts shown in the box

**For more information about the optional hand weight set or chest pulse sensor, see page 14

These parts are not illustrated

LIMITED WARRANTY

ICON OF CANADA INC., (ICON), warrants this product to be free from defects in workmanship and material, under normal use and service conditions, for a period of ninety (90) days from the date of purchase. This warranty extends only to the original purchaser. ICON's obligation under this warranty is limited to replacing or repairing, at ICON's option, the product at one of its authorized service centers. All products for which warranty claim is made must be received by ICON at one of its authorized service centers with all freight and other transportation charges prepaid, accompanied by sufficient proof of purchase. All returns must be pre-authorized by ICON. This warranty does not extend to any product or damage to a product caused by or attributable to freight damage, abuse, misuse, improper or abnormal usage or repairs not provided by an ICON authorized service center, to products used for commercial or rental purposes, or to products used as store display models. No other warranty beyond that specifically set forth above is authorized by ICON.

ICON is not responsible or liable for indirect, special or consequential damages arising out of or in connection with the use or performance of the product or damages with respect to any economic loss, loss of property, loss of revenues or profits, loss of enjoyment or use, costs of removal, installation or other consequential damages of whatsoever nature. Some provinces do not allow the exclusion or limitation of incidental or consequential damages. Accordingly, the above limitation may not apply to you. The warranty extended hereunder is in lieu of any and all other warranties and any implied warranties of merchantability or fitness for a particular purpose is limited in its scope and duration to the terms set forth herein. Some provinces do not allow limitations on how long an implied warranty lasts. Accordingly, the above limitation may not apply to you.

This warranty gives you specific legal rights. You may also have other rights which vary from province to province or so specified by the retailer of your equipment.

ICON OF CANADA, 900 de l'Industrie, St. Jérôme, QC J7Y 4B8


**PLACE
STAMP
HERE**

ICON of Canada Inc.
900 de l'Industrie
St-Jérôme, Québec
Canada, J7Y 4B8

ORDERING REPLACEMENT PARTS

To order replacement parts, call our Customer Service Department toll-free at 1-888-936-4266, Monday through Friday, 8 a.m. until 6:30 p.m. Eastern Standard Time (excluding holidays). When ordering parts, please be prepared to give the following information:

- The MODEL NUMBER OF THE PRODUCT (PCTL63090)
- The NAME OF THE PRODUCT (PROFORM® 630DS treadmill)
- The SERIAL NUMBER OF THE PRODUCT (see the front cover of this manual)
- The KEY NUMBER OF THE PART(S) (see the EXPLODED DRAWING attached to the center and the PART LIST on page 18)
- The DESCRIPTION OF THE PART(S) (see the EXPLODED DRAWING attached to the center and the PART LIST on page 18).



ICON WEIDER PRO-FORM WESLO
of/du Canada Inc.

PRODUCT WARRANTY REGISTRATION

IMPORTANT: MAIL WITHIN 14 DAYS OF PURCHASE

NAME: _____ PHONE: _____

ADDRESS: _____

COUNTY: _____ POSTCODE: _____

MODEL NO. _____ SERIAL NO. _____ PURCHASE _____

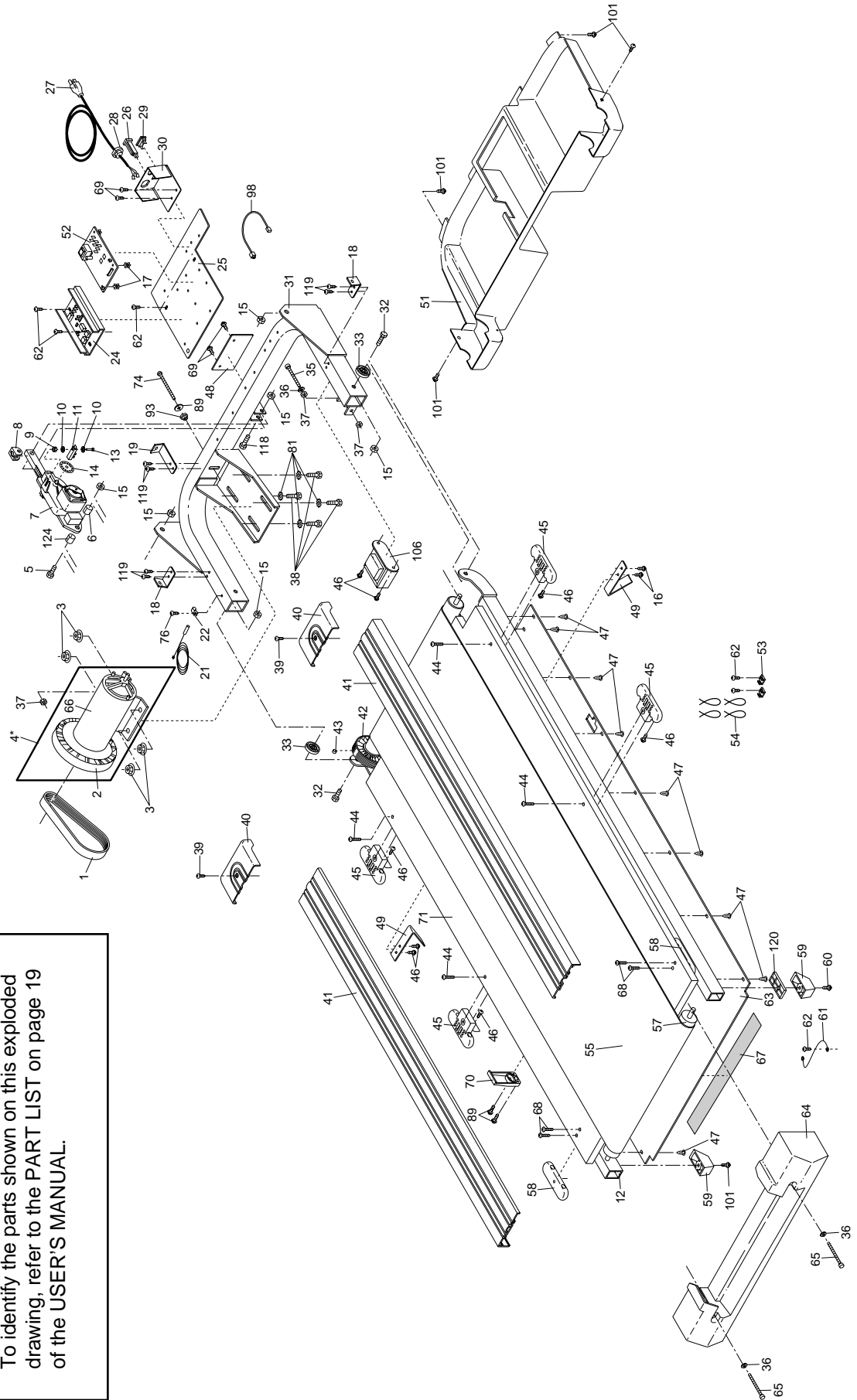
RETAILER NAME: _____ RETAILER ADDRESS: _____

<p>1) Primary user(s) of product: <input type="checkbox"/> Male <input type="checkbox"/> Female <input type="checkbox"/> Family</p> <p>2) Age of primary user: <input type="checkbox"/> 0-24 <input type="checkbox"/> 35-44 <input type="checkbox"/> 55-64 <input type="checkbox"/> 25-34 <input type="checkbox"/> 45-54 <input type="checkbox"/> 65 and over</p> <p>3) Annual household income: <input type="checkbox"/> 0-9,999 <input type="checkbox"/> 15,000-19,999 <input type="checkbox"/> 10,000-14,999 <input type="checkbox"/> 20,000+</p> <p>4) How many times a week do you exercise? <input type="checkbox"/> Less than 3 times <input type="checkbox"/> 3 times or more</p> <p>5) Have you ever purchased an ICON product before? <input type="checkbox"/> Yes <input type="checkbox"/> No</p> <p>6) Where did you first see or hear about ICON products? <input type="checkbox"/> Magazine <input type="checkbox"/> Friend/relative <input type="checkbox"/> Newspaper Ad <input type="checkbox"/> Store <input type="checkbox"/> Other</p> <p>7) What was the primary reason for purchasing this ICON product? <input type="checkbox"/> Store Employee <input type="checkbox"/> Television Ads <input type="checkbox"/> Colour <input type="checkbox"/> Electronic Features <input type="checkbox"/> Magazine Ads <input type="checkbox"/> Price <input type="checkbox"/> Product Design <input type="checkbox"/> Product Innovation <input type="checkbox"/> Other Features</p>	<p>8) Did you consider purchasing fitness equipment from another manufacturer? <input type="checkbox"/> No <input type="checkbox"/> Yes What other Manufacturer? _____</p> <p>9) Based on your impression of what you have purchased, would you buy another ICON product? <input type="checkbox"/> Yes <input type="checkbox"/> No <input type="checkbox"/> No Opinion If not, what other brand name equipment would you purchase? _____</p> <p>10) What other type of exercise equipment do you own? <input type="checkbox"/> Bicycle <input type="checkbox"/> Exercise Cycle <input type="checkbox"/> Treadmill <input type="checkbox"/> Home Gym <input type="checkbox"/> Weight Bench <input type="checkbox"/> Stepper <input type="checkbox"/> Cardio Glide <input type="checkbox"/> Other</p> <p>11) Which type of magazines do you read regularly? <input type="checkbox"/> Sports <input type="checkbox"/> Fitness <input type="checkbox"/> Motoring <input type="checkbox"/> Business <input type="checkbox"/> Computer <input type="checkbox"/> General</p> <p>12) Do you wish to be sent further bulletins about ICON products? <input type="checkbox"/> Yes <input type="checkbox"/> No</p>
---	--

THANK YOU FOR YOUR TIME

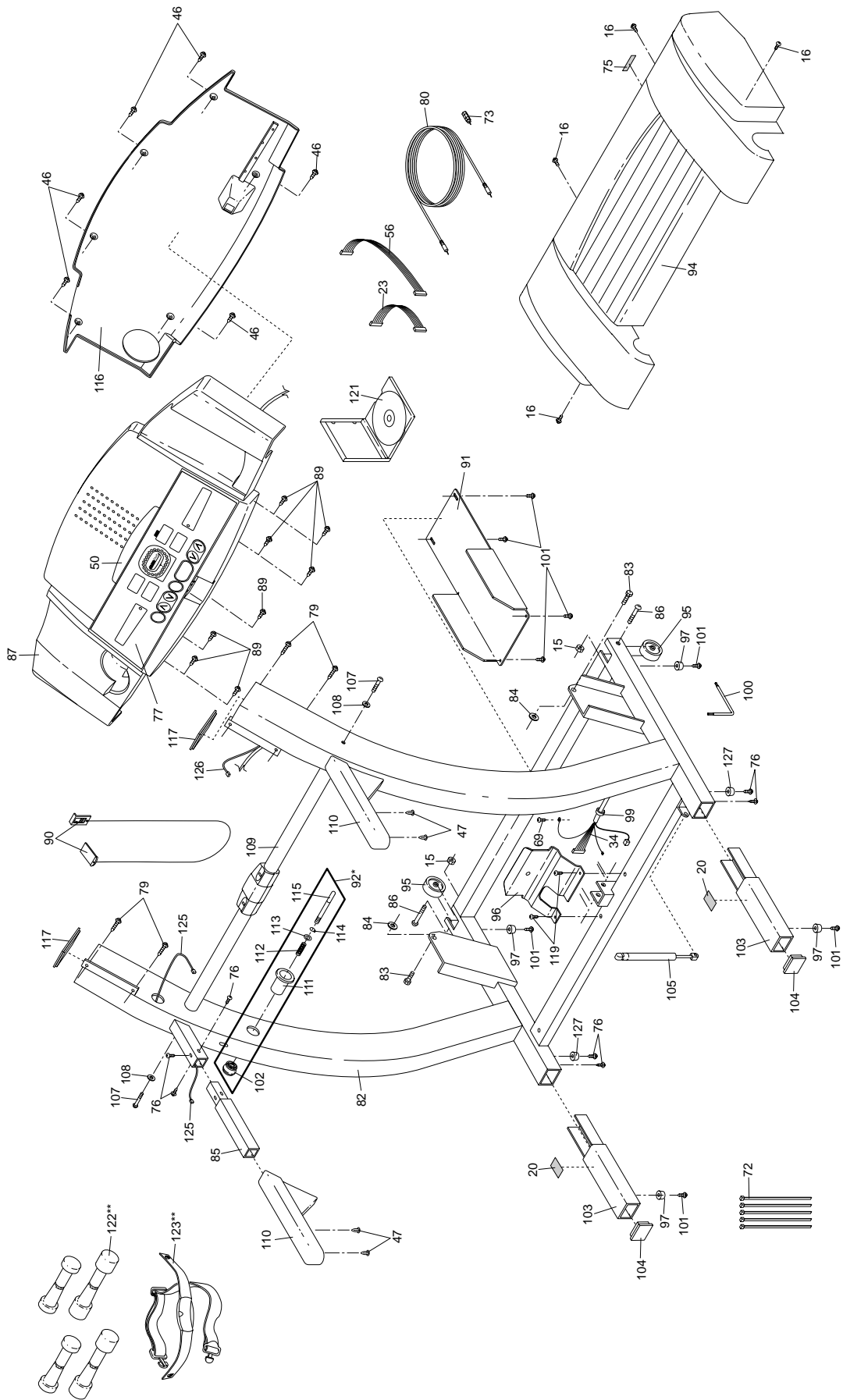
© 2000 ICON of Canada, Inc. Printed in USA

PROFORM® is a registered trademark of ICON Health & Fitness, Inc.



REMOVE THIS EXPLODED DRAWING FROM THE USER'S MANUAL. SAVE THE EXPLODED DRAWING FOR FUTURE REFERENCE.

To identify the parts shown on this exploded drawing, refer to the PART LIST on page 19 of the USER'S MANUAL.



Free Manuals Download Website

<http://myh66.com>

<http://usermanuals.us>

<http://www.somanuals.com>

<http://www.4manuals.cc>

<http://www.manual-lib.com>

<http://www.404manual.com>

<http://www.luxmanual.com>

<http://aubethermostatmanual.com>

Golf course search by state

<http://golfingnear.com>

Email search by domain

<http://emailbydomain.com>

Auto manuals search

<http://auto.somanuals.com>

TV manuals search

<http://tv.somanuals.com>