

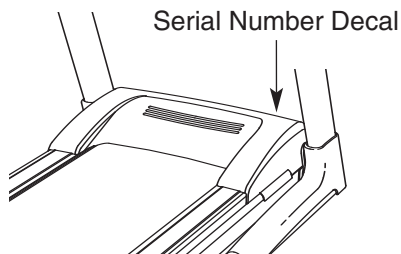
# PRO-FORM®

## PERSPECTIVE ES

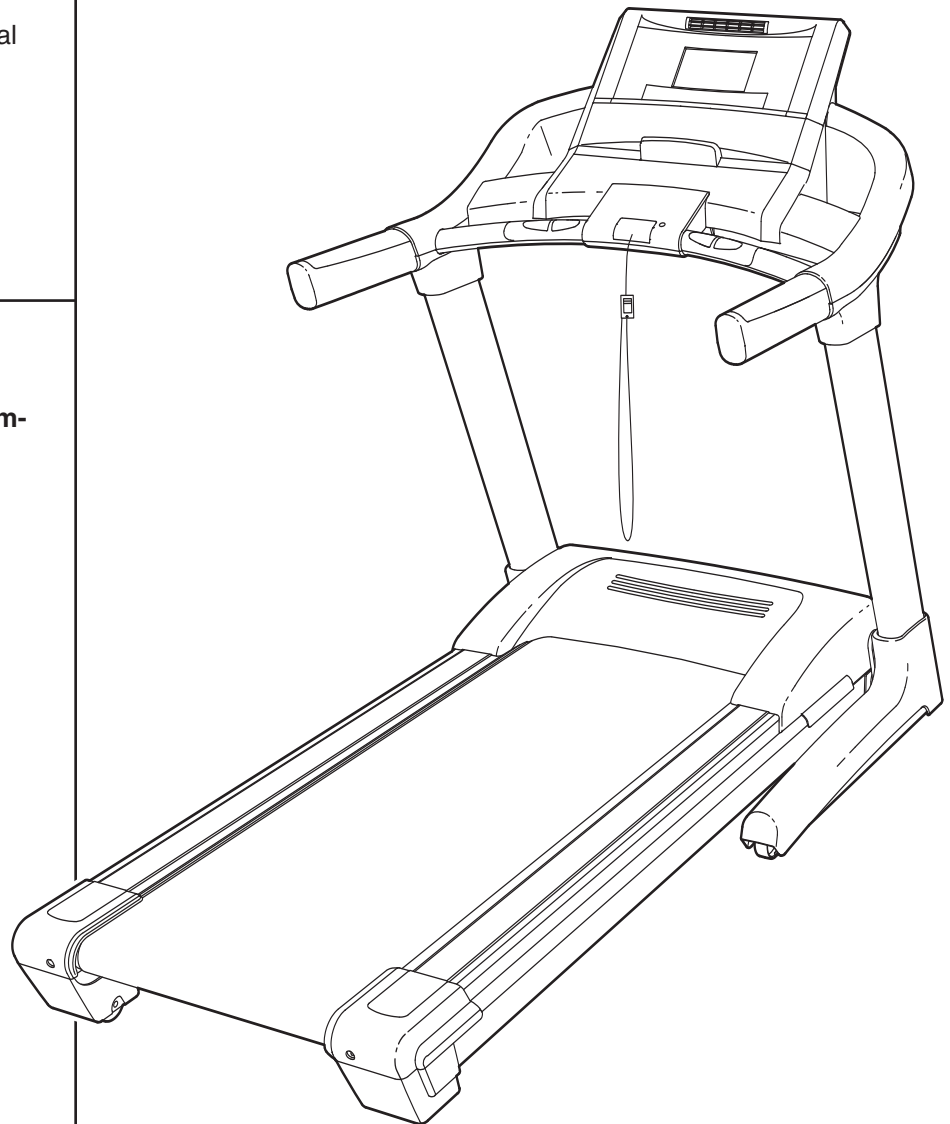
Model No. PFTL99806.2

Serial No. \_\_\_\_\_

Find the serial number in the location shown below. Write the serial number in the space above for reference.



## USER'S MANUAL



### QUESTIONS?

As a manufacturer, we are committed to providing complete customer satisfaction. If you have questions, or if parts are damaged or missing, PLEASE CONTACT OUR CUSTOMER SERVICE DEPARTMENT DIRECTLY.

CALL TOLL-FREE:

**1-888-533-1333**

Mon.-Fri., 6 a.m.-6 p.m. MST

ON THE WEB:

[www.proformservice.com](http://www.proformservice.com)

### CAUTION

Read all precautions and instructions in this manual before using this equipment. Save this manual for future reference.



Visit our website at

**[www.proform.com](http://www.proform.com)**

new products, prizes,  
fitness tips, and much more!

# **PRO-FORM<sup>®</sup>** **PERSPECTIVE ES**

---

## **TABLE OF CONTENTS**

|  |            |
|--|------------|
| IMPORTANT PRECAUTIONS .....              | .3         |
| BEFORE YOU BEGIN .....                   | .6         |
| ASSEMBLY .....                           | .7         |
| OPERATION AND ADJUSTMENT .....           | .13        |
| HOW TO FOLD AND MOVE THE TREADMILL ..... | .21        |
| TROUBLESHOOTING .....                    | .22        |
| CONDITIONING GUIDELINES .....            | .25        |
| PART LIST .....                          | .26        |
| ORDERING REPLACEMENT PARTS .....         | Back Cover |
| LIMITED WARRANTY .....                   | Back Cover |

Note: An EXPLODED DRAWING is attached in the center of this manual.

# IMPORTANT PRECAUTIONS

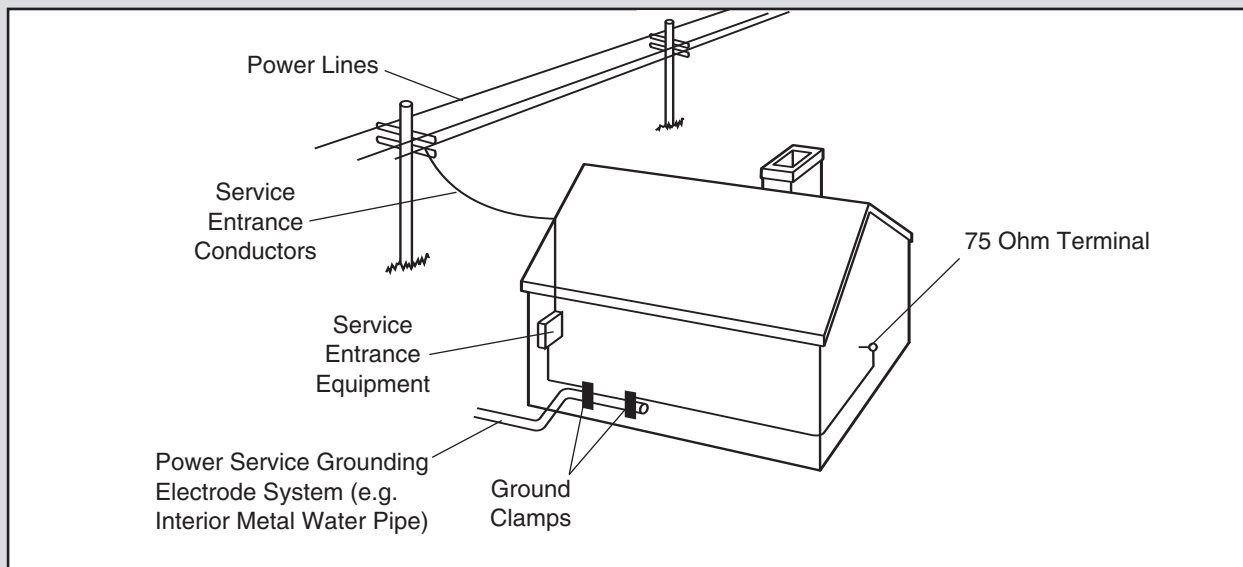
**⚠️ WARNING:** To reduce the risk of burns, fire, electric shock, or injury to persons, read the following important precautions and information before operating the treadmill.

1. It is the responsibility of the owner to ensure that all users of this treadmill are adequately informed of all warnings and precautions.
2. Use the treadmill only as described.
3. Place the treadmill on a level surface, with at least eight feet of clearance behind it and two feet on each side. Do not place the treadmill on any surface that blocks air openings. To protect the floor or carpet from damage, place a mat under the treadmill.
4. Keep the treadmill indoors, away from moisture and dust. Do not put the treadmill in a garage or covered patio, or near water.
5. Do not operate the treadmill where aerosol products are used or where oxygen is being administered.
6. Keep children under the age of 12 and pets away from the treadmill at all times.
7. The treadmill should not be used by persons weighing more than 350 pounds.
8. Never allow more than one person on the treadmill at a time.
9. Wear appropriate exercise clothes when using the treadmill. Do not wear loose clothes that could become caught in the treadmill. Athletic support clothes are recommended for both men and women. *Always wear athletic shoes. Never use the treadmill with bare feet, wearing only stockings, or in sandals.*
10. When connecting the power cord (see page 13), plug the power cord into a surge suppressor (not included) and plug the surge suppressor into a grounded circuit capable of carrying 15 or more amps. No other appliance should be on the same circuit. Do not use an extension cord.
11. Use only a single-outlet surge suppressor that meets all of the specifications described on page 13. To purchase a surge suppressor, see your local PROFORM dealer or call the toll-free telephone number on the front cover of this manual and order part number 146148, or see your local electronics store.
12. Failure to use a properly functioning surge suppressor could result in damage to the control system of the treadmill. If the control system is damaged, the walking belt may change speed, accelerate, or stop unexpectedly, which may result in a fall and serious injury.
13. Keep the power cord and the surge suppressor away from heated surfaces.
14. Never move the walking belt while the power is turned off. Do not operate the treadmill if the power cord or plug is damaged, or if the treadmill is not working properly. (See TROUBLESHOOTING on page 22 if the treadmill is not working properly.)
15. Read, understand, and test the emergency stop procedure before using the treadmill (see HOW TO TURN ON THE POWER on page 15).
16. Never start the treadmill while you are standing on the walking belt. Always hold the handrails while using the treadmill.
17. The treadmill is capable of high speeds. Adjust the speed in small increments to avoid sudden jumps in speed.
18. The pulse sensor is not a medical device. Various factors, including the user's movement, may affect the accuracy of heart rate readings. The pulse sensor is intended only as an exercise aid in determining heart rate trends in general.
19. Never leave the treadmill unattended while it is running. Always remove the key, unplug the power cord, and switch the reset/off circuit breaker to the "off" position when the treadmill is not in use. (See the drawing on page 6 for the location of the reset/off circuit breaker.)
20. Do not attempt to raise, lower, or move the treadmill until it is properly assembled. (See ASSEMBLY on page 7, and HOW TO FOLD AND MOVE THE TREADMILL on page 21.) You must be able to safely lift 45 pounds (20 kg) to raise, lower, or move the treadmill.

21. Do not change the incline of the treadmill by placing objects under the treadmill.
22. When folding or moving the treadmill, make sure that the frame is held securely by the pin on the latch knob.
23. Inspect and properly tighten all parts of the treadmill regularly.
24. Never insert or drop any object into any opening.
25. **DANGER:** Always unplug the power cord immediately after use, before cleaning the treadmill, and before performing the maintenance and adjustment procedures described in this manual. Never remove the motor hood unless instructed to do so by an authorized service representative. Servicing other than the procedures in this manual should be performed by an authorized service representative only.
26. The treadmill is intended for in-home use only. Do not use the treadmill in any commercial, rental, or institutional setting.

27. To reduce the risk of electric shock, do not remove the cover or the back of the television. There are no user serviceable parts inside. Refer servicing to qualified service personnel.
28. To protect the treadmill and TV during lightning storms, unplug the power cord from the wall outlet and disconnect the cable system. This will prevent damage due to lightning and power line surges.
29. Upon completion of any service or repairs to the treadmill or the television, ask the service technician to perform safety checks to confirm that the unit is in proper operating condition.

**Note to CATV system installer:** This reminder is provided to call the CATV system installer's attention to Article 820-40 of the NEC that provides guidelines for proper grounding and, in particular, specifies that the cable ground shall be connected to the grounding system of the building, as close to the point of cable entry as practical.



**⚠ WARNING:** Before beginning this or any exercise program, consult your physician. This is especially important for persons over the age of 35 or persons with pre-existing health problems. Read all instructions before using. ICON assumes no responsibility for personal injury or property damage sustained by or through the use of this product.

## SAVE THESE INSTRUCTIONS

### ⚠ WARNING:

Protect yourself and others from risk of serious injury. Read the user's manual and :



- Stand only on the side rails when starting or stopping treadmill.

- Change speed in small increments.

- Hold handrails to prevent falling, and always wear the safety clip while operating treadmill.

- Stop if you feel faint, dizzy, or short of breath.

- Fully engage storage latch before treadmill is moved or stored.

- Reduce incline to its lowest level before folding treadmill into storage position.



- Never allow children on or around treadmill.

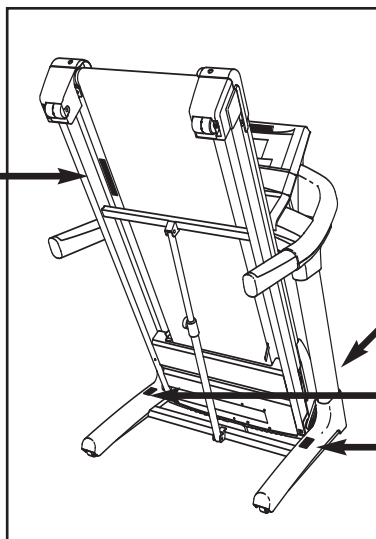
- Remove key when not in use.



- Keep clothing, fingers, and hair away from moving belt.

- Never try to adjust or fix the belt while it is moving.

- Always wear athletic shoes while operating treadmill.



The decals shown here have been placed on the treadmill. If a decal is missing or illegible, call the toll-free telephone number on the front cover of this manual and order a free replacement decal. Apply the decal in the location shown. Note: The decals may not be shown at actual size.

### ⚠ CAUTION

KEEP HANDS AND FEET AWAY FROM THIS AREA WHILE THE TREADMILL IS IN OPERATION.

# BEFORE YOU BEGIN

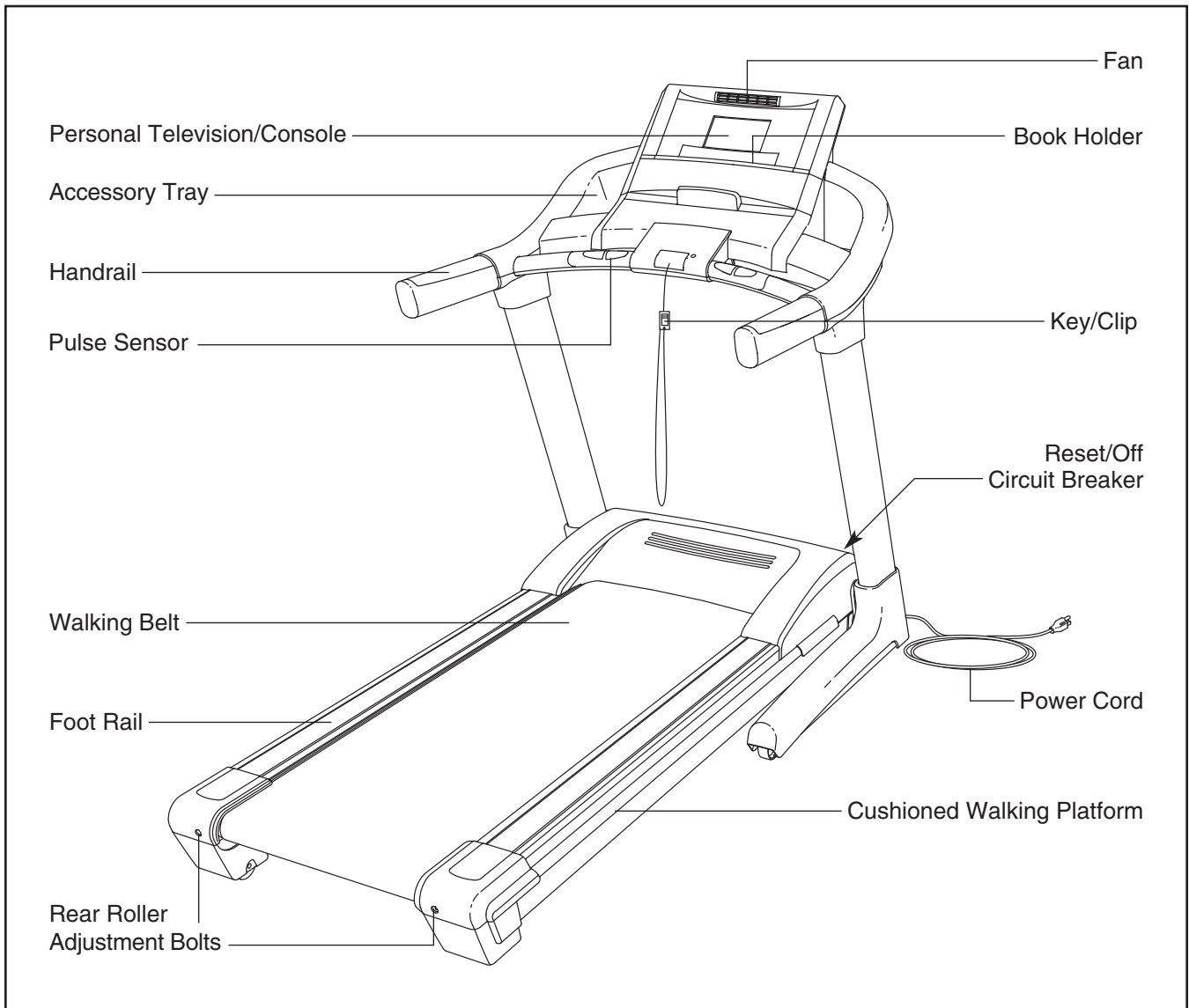
Thank you for selecting the revolutionary PROFORM™ PERSPECTIVE ES treadmill. The PERSPECTIVE ES treadmill offers an impressive selection of features designed to make your workouts at home more enjoyable and effective. And when you're not exercising, the unique PERSPECTIVE ES treadmill can be folded up, requiring less than half the floor space of other treadmills.

**For your benefit, read this manual carefully before you use the treadmill.** If you have questions after reading this manual, please see the front cover of this

manual. To help us assist you, note the product model number and serial number before calling. The model number of the treadmill is PFTL99806.2. The serial number can be found on a decal attached to the treadmill (see the front cover of this manual for the location).

**To avoid a registration fee for any service needed under warranty, you must register the treadmill at [www.proformservice.com/registration](http://www.proformservice.com/registration).**

Before reading further, please review the drawing below and familiarize yourself with the labeled parts.





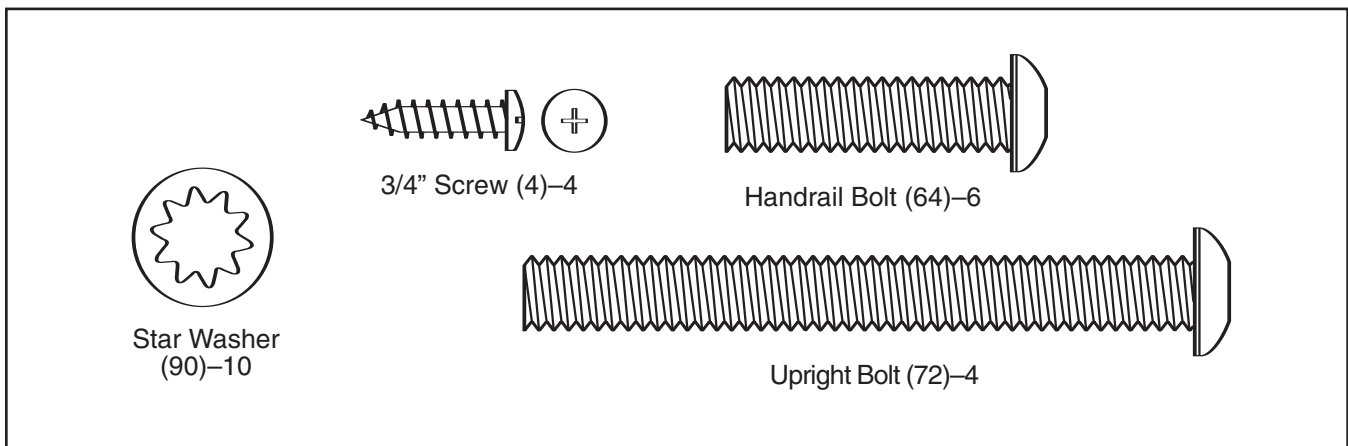
# ASSEMBLY

To hire an authorized service technician to assemble the treadmill, call toll-free 1-800-445-2480.

**Assembly requires two persons.** Set the treadmill in a cleared area and remove all packing materials. **Do not dispose of the packing materials until assembly is completed.**

Note: The underside of the treadmill walking belt is coated with high-performance lubricant. During shipping, a small amount of lubricant may be transferred to the top of the walking belt or the shipping carton. This is a normal condition and does not affect treadmill performance. If there is lubricant on top of the walking belt, simply wipe off the lubricant with a soft cloth and a mild, non-abrasive cleaner.

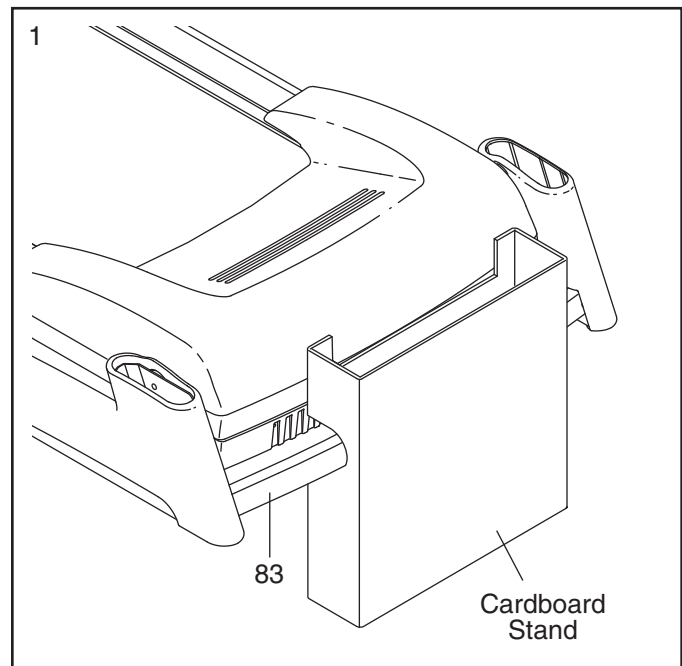
Assembly requires the included hex key  and your own Phillips screwdriver . For help identifying the assembly hardware, see the drawings below. The number in parentheses below each drawing is the key number of the part, from the PART LIST on pages 26 and 27. The number following the parentheses is the quantity needed for assembly. **Note: Some small parts may have been preassembled. If a part is not in the parts bag, check to see if it has been preassembled. To avoid damaging plastic parts, do not use power tools for assembly.**



## 1. Make sure that the power cord is unplugged.

With the help of a second person, raise the front of the treadmill and insert the crossbar on the Base (83) into the cutout in the cardboard stand as shown. **Have the second person hold the treadmill to prevent it from moving forward or backward until assembly step 2 is completed.**

**⚠ WARNING:** Serious injury may occur if the treadmill moves forward or backward and falls off the cardboard stand. A second person must hold the treadmill until assembly step 2 is completed to prevent the treadmill from moving, tipping, or falling.



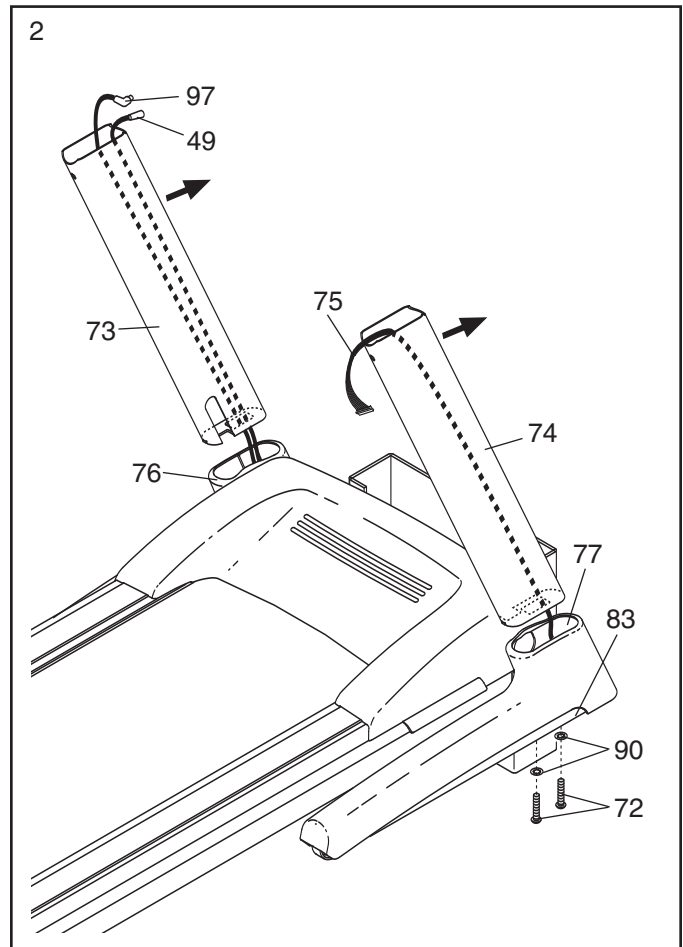
- Identify the Left Upright (73) and the Right Upright (74). Hold the Right Upright near the Right Base Cover (77) as shown. Insert the Upright Wire Harness (75) up through the rectangular hole in the bottom of the Right Upright and out of the top of the Right Upright.

Gently pull up on the Upright Wire Harness (75) as you set the Right Upright (74) on the Base (83) inside the Right Base Cover (77). **Be careful not to pinch the Upright Wire Harness.**

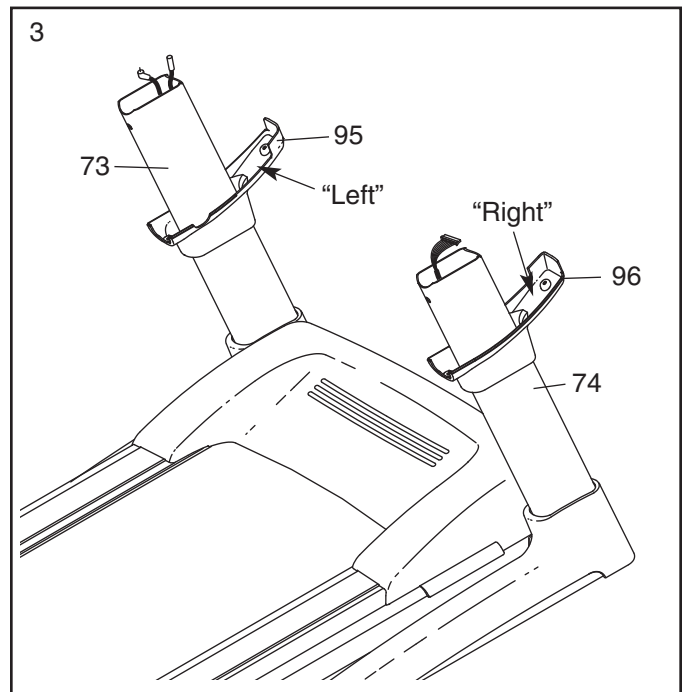
Attach the Right Upright (74) to the Base (83) with two Upright Bolts (72) and two Star Washers (90). Note: It may be necessary to tip the tops of the Uprights forward slightly as you thread the Upright Bolts (72) into the Uprights. **Do not tighten the Bolts yet.**

Hold the Left Upright (73) near the Left Base Cover (76), and insert the TV Cable (49) and the AV Cable (97) up through the rectangular hole in the bottom of the Left Upright and out of the top of the Left Upright. Attach the Left Upright to the Base (83) with two Upright Bolts and two Star Washers (not shown). **Do not tighten the Bolts yet.**

With the help of a second person, lower the treadmill off the cardboard stand.



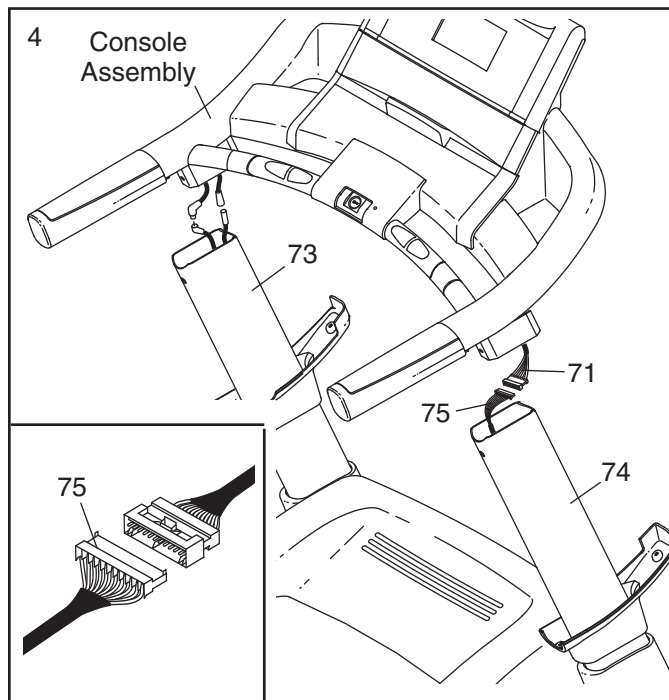
- Identify the Right Upright Sleeve (96) and the Left Upright Sleeve (95). Slide the Right Upright Sleeve onto the Right Upright (74) and the Left Upright Sleeve onto the Left Upright (73).





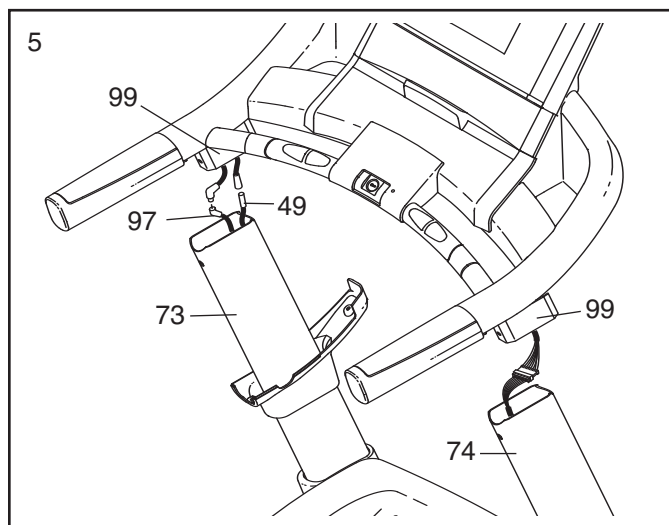
4. With the help of a second person, hold the console assembly near the Uprights (73, 74).

Connect the Upright Wire Harness (75) to the Console Wire Harness (71). **Make sure to connect the connectors properly (see the inset drawing). The connectors should slide together easily and snap into place.** If they do not, turn one connector and try again. **IF THE CONNECTORS ARE NOT CONNECTED PROPERLY, THE CONSOLE MAY BE DAMAGED WHEN THE POWER IS TURNED ON.**

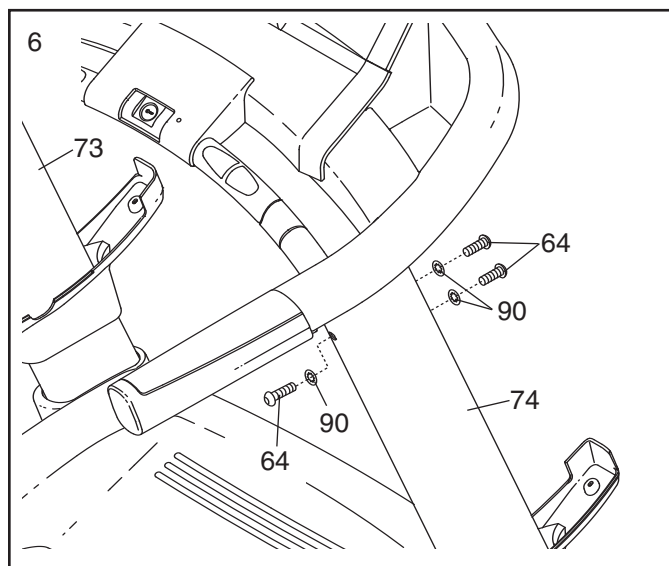


5. Connect the TV Cable (49) and the AV Cable (97) to the cables extending from the console assembly. Then, insert the connectors down into the Uprights (73, 74).

Next, insert the brackets on the Handrails (99) into the Right Upright (74) and the Left Upright (73). **Make sure that no wires are pinched.**

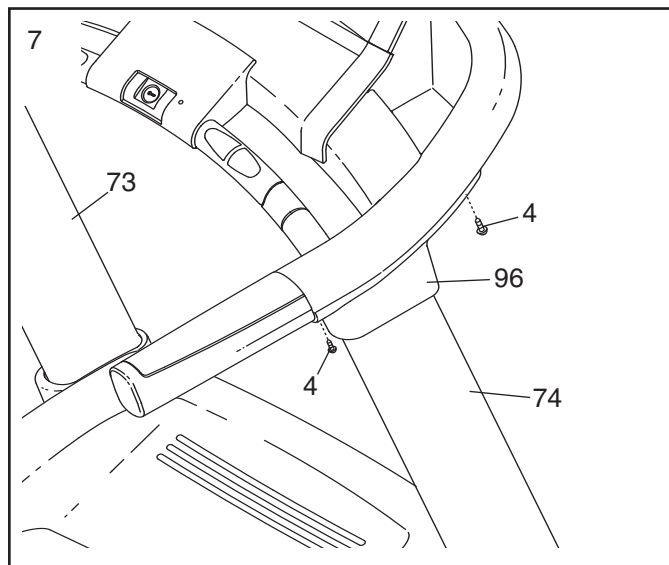


6. Finger tighten three Handrail Bolts (64) with three Star Washers (90) into the Right Upright (74). Next, finger tighten three Handrail Bolts with three Star Washers (not shown) into the Left Upright (73). Then, firmly tighten the six Handrail Bolts.



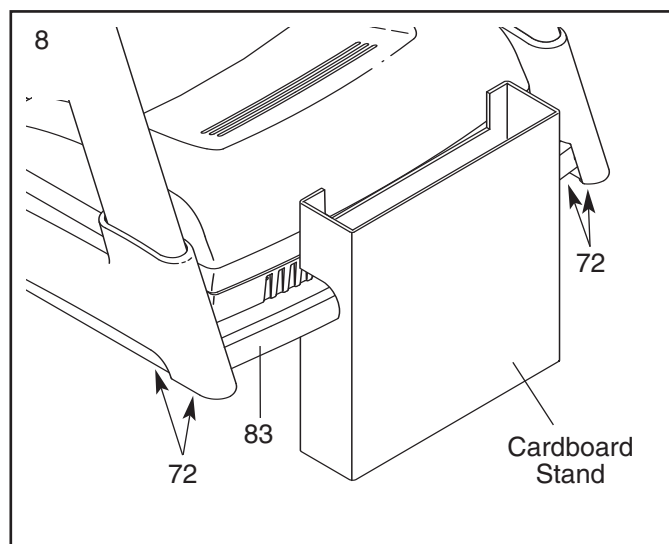
7. Slide the Right Upright Sleeve (96) up against the console assembly. Attach the Right Upright Sleeve with two 3/4" Screws (4).

Attach the Left Upright Sleeve (not shown) to the Left Upright (73) as described above.

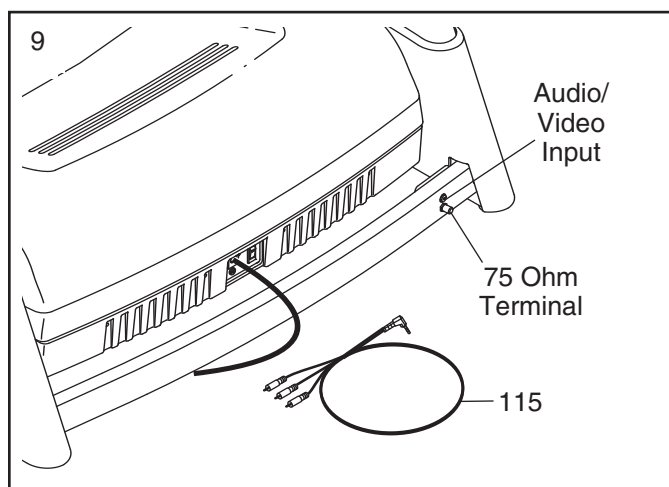


8. With the help of a second person, raise the front of the treadmill and insert the crossbar on the Base (83) into the cutout in the cardboard stand as shown. **Have the second person hold the treadmill to prevent it from moving forward or backward.**

Firmly tighten the four Upright Bolts (72). With the help of a second person, lower the treadmill off the cardboard stand.



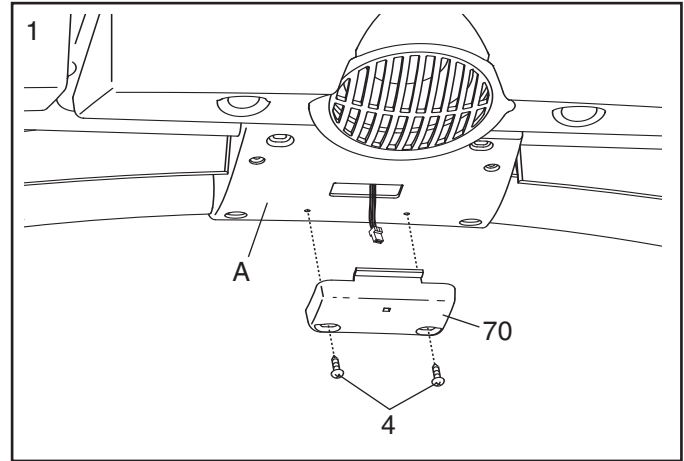
9. Note the location of the 75 ohm terminal and the audio/video input jack on the treadmill. For the television to operate, the included Audio/Video Wire Harness (115) and your DVD player or VCR must be connected to the audio/video input jack on the treadmill, a personal audio/video player must be connected to the audio/video jack on the console, or a CATV cable must be connected to the 75 ohm terminal (see page 12).



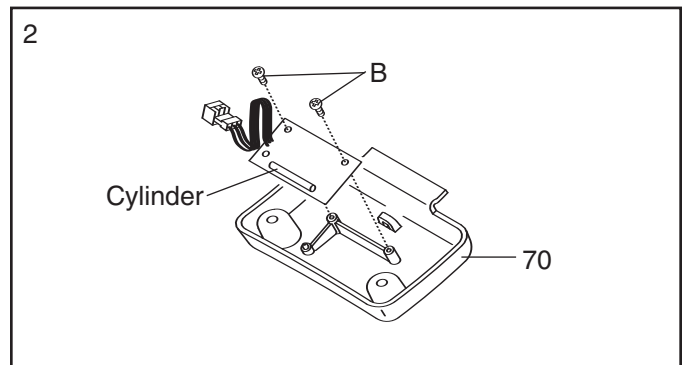
10. **Make sure that all parts are properly tightened before you use the treadmill.** Keep the included hex key in a secure place; the hex key is used to adjust the walking belt (see page 23). **To protect the floor or carpet from damage, place a mat under the treadmill.**

If you purchase the optional chest pulse sensor (see page 20), follow the steps below to install the receiver included with the chest pulse sensor.

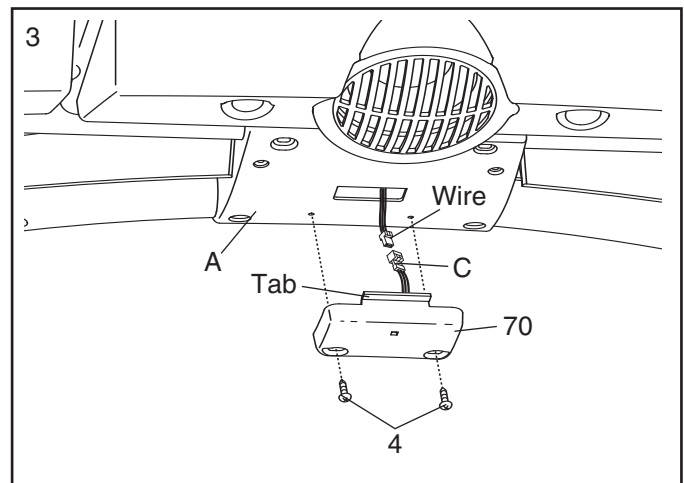
1. **Make sure that the power cord is unplugged.** Remove the indicated 3/4" Screws (4) from the Pulse Receiver Cover (70) on the back of the Console Assembly (A).



2. **Next, hold the receiver so the small cylinder is oriented as shown.** Attach the receiver to the Pulse Receiver Cover (70) with the two included Small Screws (B).



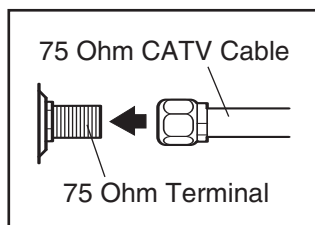
3. Connect the Wire (C) on the receiver to the wire extending from the Console Assembly (A). **Make sure that no wires are pinched.** Reattach the Pulse Receiver Cover (70) to the Console Assembly with the two 3/4" Screws (4). Discard the other wires included with the receiver.



**Before operating the television, you must connect a 75 ohm CATV cable to the 75 ohm terminal on the treadmill, a VCR or DVD player to the audio/video input jack, or a personal audio/video player to the audio/video jack below the television on the console.** Note: Use CATV cable to connect to an external source such as a cable box, analog cable, satellite TV box, or VCR. No CATV cable is included.

#### **HOW TO CONNECT A 75 OHM CATV CABLE**

1. Connect a 75 ohm CATV cable to the 75 ohm terminal on the treadmill frame near the power cord.



#### **HOW TO CONNECT AN EXTERNAL SOURCE USING A CATV CABLE**

1. Connect one end of a 75 ohm CATV cable to the 75 ohm output jack on your external source.
2. Plug in the power cord of your external source. See your external source's user's manual for proper grounding instructions.
3. Connect the 75 ohm CATV cable to the 75 ohm terminal on the treadmill frame near the power cord.

#### **HOW TO CONNECT A DVD PLAYER OR VCR USING THE AUDIO/VIDEO INPUT JACK**

1. Connect one end of the included Audio/Video Wire Harness (115) to your DVD player or VCR.
2. Plug in the power cord of your DVD player or VCR. See your DVD player or VCR user's manual for proper grounding instructions.
3. Connect the Audio/Video Wire Harness to the audio/video input jack on the treadmill frame near the power cord.

#### **HOW TO CONNECT A PERSONAL AUDIO/VIDEO PLAYER DIRECTLY TO THE CONSOLE**

Locate the audio/video jack below the television on the console, and plug it into a jack on your MP3 player, CD player, or personal audio/video player.

# OPERATION AND ADJUSTMENT

## THE PRE-LUBRICATED WALKING BELT

Your treadmill features a walking belt coated with high-performance lubricant. **IMPORTANT: Never apply silicone spray or other substances to the walking belt or the walking platform. Such substances will deteriorate the walking belt and cause excessive wear.**

## HOW TO PLUG IN THE POWER CORD

**⚠ DANGER:** Improper connection of the equipment-grounding conductor can result in an increased risk of electric shock. Check with a qualified electrician or serviceman if you are in doubt as to whether the product is properly grounded. Do not modify the plug provided with the product—if it will not fit the outlet, have a proper outlet installed by a qualified electrician.

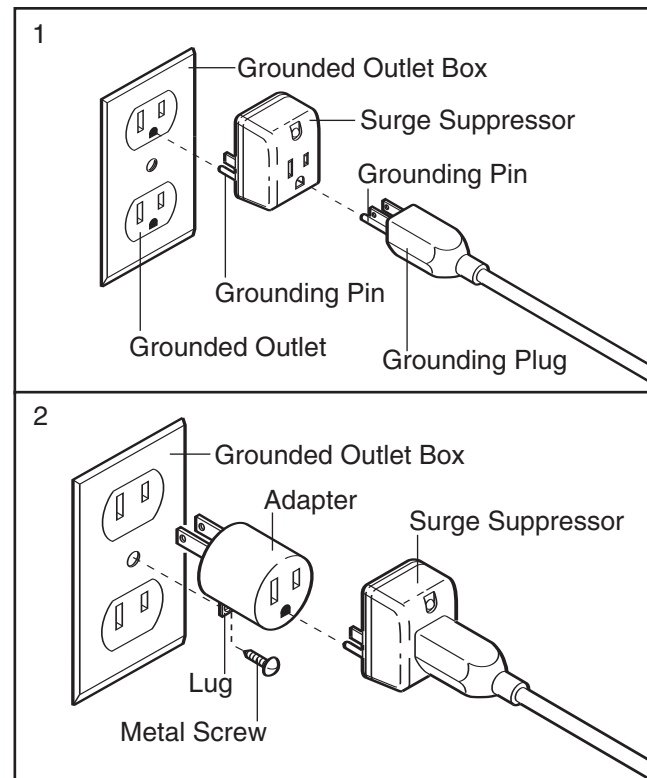
Your treadmill, like any other type of sophisticated electronic equipment, can be seriously damaged by sudden voltage changes in your home's power. Voltage surges, spikes, and noise interference can result from weather conditions or from other appliances being turned on or off. **To decrease the possibility of your treadmill being damaged, always use a surge suppressor with your treadmill (see drawing 1 at the right).** To purchase a surge suppressor, see your local PROFORM dealer or call the toll-free telephone number on the front cover of this manual and order part number 146148, or see your local electronics store.

Use only a single-outlet surge suppressor that is UL 1449 listed as a transient voltage surge suppressor (TVSS). The surge suppressor must have a UL suppressed voltage rating of 400 volts or less and a minimum surge dissipation of 450 joules. The surge suppressor must be electrically rated for 120 volts AC and 15 amps. There must be a monitoring light on the surge suppressor to indicate whether it is functioning properly. Failure to use a properly functioning surge suppressor could result in damage to the control system of the treadmill. If the control system is damaged, the walking belt may change speed, accelerate, or stop unexpectedly, which may result in a fall and serious injury.

**This product must be grounded.** If it should malfunction or break down, grounding provides a path of least resistance for electric current to reduce the risk of elec-

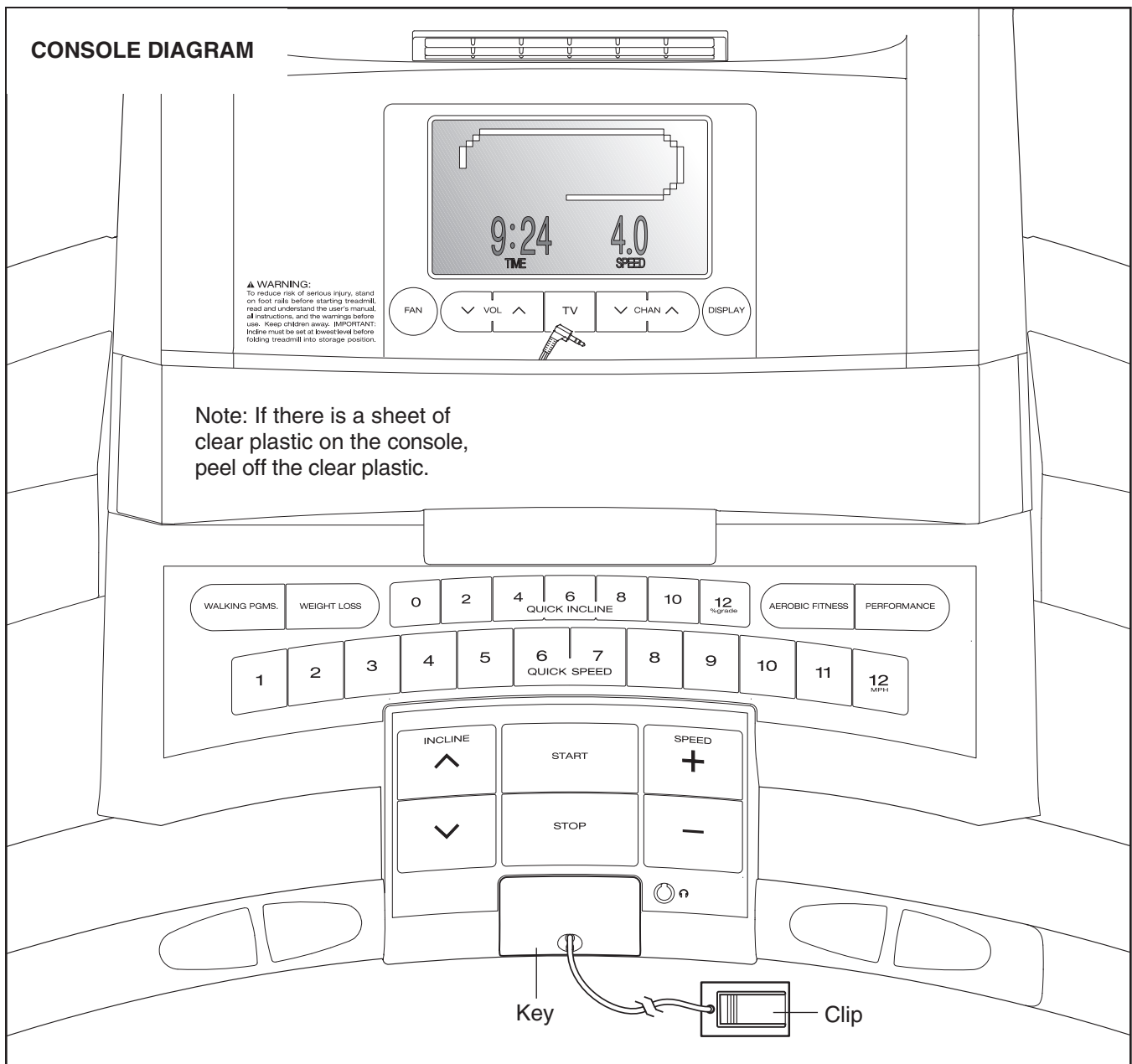
tric shock. This product is equipped with a cord having an equipment-grounding conductor and a grounding plug. **Plug the power cord into a surge suppressor, and plug the surge suppressor into an appropriate outlet that is properly installed and grounded in accordance with all local codes and ordinances. Important: The treadmill is not compatible with GFCI-equipped outlets.**

This product is for use on a nominal 120-volt circuit, and has a grounding plug that looks like the plug illustrated in drawing 1 below. A temporary adapter that looks like the adapter illustrated in drawing 2 may be used to connect the surge suppressor to a 2-pole receptacle as shown in drawing 2 if a properly grounded outlet is not available.



The temporary adapter should be used only until a properly grounded outlet (drawing 1) can be installed by a qualified electrician.

The green-colored rigid ear, lug, or the like extending from the adapter must be connected to a permanent ground such as a properly grounded outlet box cover. Whenever the adapter is used it must be held in place by a metal screw. **Some 2-pole receptacle outlet box covers are not grounded. Contact a qualified electrician to determine if the outlet box cover is grounded before using an adapter.**



## FEATURES OF THE CONSOLE

The treadmill console offers an impressive array of features designed to make your workouts more effective and enjoyable. When the manual mode of the console is selected, the speed and incline of the treadmill can be changed with the touch of a button. As you exercise, the screen will display continuous exercise feedback. You can even measure your heart rate using the handgrip pulse sensor or the optional chest pulse sensor (see page 20).

In addition, the console features twenty-eight preset programs—seven Walking programs, seven Weight Loss programs, seven Aerobic Fitness programs, and seven Performance programs. Each program automatically controls the speed and incline of the treadmill as it guides you through an effective workout.

Whether you select the manual mode or a preset program, you can enjoy the shows of your choice on the personal television while you get in shape. You can even listen to your favorite workout music or audio books with the console's premium stereo sound system.

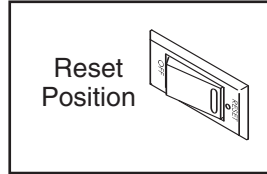
**To turn on the power**, follow the steps on page 15. **To use the manual mode**, see page 15. **To use a preset program**, see page 17. **To operate the personal television**, see page 18. **To use the stereo sound system**, see page 18.

**IMPORTANT: To prevent damage to the walking platform, wear clean athletic shoes while using the treadmill. The first time the treadmill is used, observe the alignment of the walking belt, and center the walking belt if necessary (see page 23).**

## HOW TO TURN ON THE POWER

**IMPORTANT:** If the treadmill has been exposed to cold temperatures, allow it to warm to room temperature before turning on the power. If you do not do this, the console displays or other electrical components may become damaged.

- 1** Plug in the power cord (see page 13). Next, locate the reset/off circuit breaker on the treadmill frame near the power cord. Make sure that the circuit breaker is in the reset position.



- 2** Stand on the foot rails of the treadmill. Find the clip attached to the key (see the drawing on page 14), and slide the clip securely onto the waistband of your clothes. Next, insert the key into the console. After a moment, the screen will light, and after a few seconds, the console will turn on.  
**Important:** In an emergency situation, the key can be pulled from the console, causing the walking belt to slow to a stop. Test the clip by carefully taking a few steps backward; if the key is not pulled from the console, adjust the position of the clip.

Note: To prevent damage to the walking platform, wear clean athletic shoes while using the treadmill. The first time the treadmill is used, observe the alignment of the walking belt, and center the walking belt if necessary (see page 23).

## HOW TO USE THE MANUAL MODE

- 1** Insert the key into the console.

See HOW TO TURN ON THE POWER on this page.

- 2** Select the manual mode.

Each time the key is inserted, the manual mode will be selected. If you have selected a program, press any of the program buttons (Walking Pgms., Weight Loss, Aerobic Fitness, or Performance) repeatedly until a track appears in the display.

- 3** Start the walking belt and adjust the speed.

To start the walking belt, press the Start button, the Speed + button, or one of the numbered Quick Speed buttons.

If the Start button or the Speed + button is pressed, the walking belt will begin to move at 1 mph. As you exercise, change the speed of the walking belt as desired by pressing the Speed + and – buttons. Each time a button is pressed, the speed setting will change by 0.1 mph; if a button is held down, the speed setting will change in increments of 0.5 mph. If one of the numbered Quick Speed buttons is pressed, the walking belt will gradually increase in speed until it reaches the selected speed setting.

To stop the walking belt, press the Stop button. To restart the walking belt, press the Start button, the Speed + button, or one of the numbered Quick Speed buttons.

- 4** Change the incline of the treadmill as desired.

To change the incline of the treadmill, press the Incline increase and decrease buttons or one of the numbered Quick Incline buttons.

Each time the Incline increase or decrease button is pressed, the incline will change by 0.5%. If one of the numbered Quick Incline buttons is pressed, the incline will gradually increase until it reaches the selected incline setting.

**5 Select a display mode and follow your progress with the exercise information on the screen.**

As you walk or run on the treadmill, the screen can display the following exercise information:

- The elapsed time. Note: When a program is selected, the screen will show the time remaining in the program instead of the elapsed time.
- The distance that you have walked or run. Note: The console can display distance and speed in either miles or kilometers (see HOW TO USE THE INFORMATION MODE on page 19). **For simplicity, all instructions in this section refer to miles.**
- The speed of the walking belt.
- The approximate number of calories you have burned.
- The incline level of the treadmill. Note: The incline level of the treadmill will be displayed only when you press Incline buttons.
- Your heart rate. Note: Your heart rate will be displayed only when you use the handgrip pulse sensor or the optional chest pulse sensor.
- When the manual mode is selected, the screen can show a track that represents 1/4 mile (400 meters). As you walk or run on the treadmill, the indicators around the track will appear in succession until the entire track appears. The track will then disappear and the indicators will again begin to appear in succession.

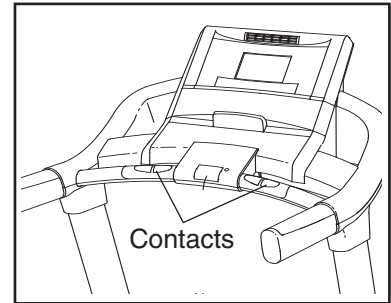
While the television is off, you can select one of two display modes—a track and some of the exercise information, or all of the exercise information. While the television is on, you can select one of three display modes—the information can be displayed on the right side of the screen, the bottom of the screen, or the information can be turned off while you watch the television. Press the Display button repeatedly to select the desired display mode.

To reset the console, press the Stop button, remove the key, and then reinsert the key.

**6 Measure your heart rate if desired.**

Note: If you use the handgrip pulse sensor and the optional chest pulse sensor at the same time, the display will not show your heart rate accurately.

To use the handgrip pulse sensor, first remove the sheets of clear plastic from the metal contacts on the handgrip pulse sensor.



Next, **stand on the foot rails** and hold the metal contacts—**avoid moving your hands**. When your pulse is detected, your heart rate will appear in the display. **For the most accurate heart rate reading, continue to hold the contacts for about 15 seconds.**

**7 Turn on the fan if desired.**

To turn on the fan at low speed, press the Fan button. To turn on the fan at high speed, press the button a second time. To turn off the fan, press the Fan button again. Note: If the fan is on when the walking belt stops, the fan will automatically turn off after a few minutes.

**8 When you are finished exercising, remove the key.**

Step onto the foot rails, press the Stop button, and **adjust the incline of the treadmill to the lowest setting. The incline must be at the lowest setting or you may damage the treadmill when you fold it to the storage position.** Next, remove the key from the console and put it in a secure place.

When you are finished using the treadmill, switch the reset/off circuit breaker to the “off” position and unplug the power cord. **IMPORTANT: If you do not do this, the treadmill’s electrical components may wear prematurely.**



## HOW TO USE A PRESET PROGRAM

### 1 Insert the key into the console.

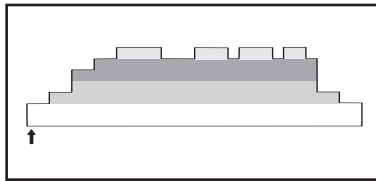
See HOW TO TURN ON THE POWER on page 15.

### 2 Select a preset program.

To select a preset program, press the Walking Programs (Walking Pgms.) button, the Weight Loss Programs (Weight Loss) button, the Aerobic Fitness Programs (Aerobic Fitness) button, or the Performance Programs (Performance) button repeatedly.

When a preset program is selected, the display will show the maximum speed setting

and the maximum incline setting of the program, and the program time. In addition, a diagram of the workout intensity settings of the program will be displayed. The arrow below the diagram will indicate your progress during your workout.

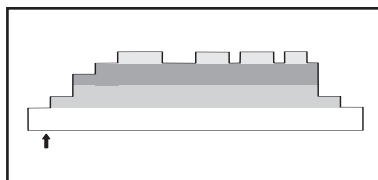


### 3 Press the Start button to start the program.

A moment after the button is pressed, the treadmill will automatically adjust to the first speed and incline settings of the program. Hold the handrails and begin walking.

Each program is divided into several one-minute segments. One speed setting and one incline setting are programmed for each segment. Note: The same speed setting and/or incline setting may be programmed for two or more consecutive segments.

When only three seconds remain in the first segment of the program, a series of tones will sound. If the speed and/or the incline of the treadmill is about to change, the new speed setting and/or incline setting will appear on the screen to alert you. When the first segment ends, the arrow below the program diagram will move one



position to the right. Note: The program diagram can only be displayed when the television is in Console mode. To select the Console mode, press the TV button repeatedly until the word "Console" appears on the screen.

When the first segment ends, the treadmill will automatically adjust to the speed and incline settings for the second segment.

The program will continue in this way until the arrow reaches the right end of the program diagram. The walking belt will then slow to a stop.

If the speed and/or incline settings of the program are too high or too low, you can override the setting by pressing the Speed or Incline buttons; however, when the next segment begins, **the treadmill will automatically adjust to the speed and incline settings for the next segment.**

To stop the program at any time, press the Stop button. To restart the program, press the Start button or the Speed + button. The walking belt will begin to move at 1 mph. When the next segment of the program begins, the treadmill will automatically adjust to the speed and incline settings for the next segment.

### 4 Select a display mode and follow your progress with the exercise information on the screen.

See step 5 on page 16.

### 5 Measure your heart rate if desired.

See step 6 on page 16.

### 6 Turn on the fan if desired.

See step 7 on page 16.

### 7 When you are finished exercising, remove the key from the console.

When the program ends, **make sure that the incline of the treadmill is at the lowest setting.** Next, remove the key from the console and put it in a safe place.

**When you are finished using the treadmill, switch the reset/off circuit breaker to the "off" position and unplug the power cord.**

## HOW TO OPERATE THE PERSONAL TELEVISION

**IMPORTANT:** Before operating the television, you must connect a 75 ohm CATV cable to the 75 ohm terminal on the treadmill, a VCR or DVD player to the three audio/video RCA jacks, or a personal audio/video player to the audio/video jack below the television on the console. See page 12 for instructions.

Follow the steps below to operate the television.

### 1 Insert the key into the console.

See HOW TO TURN ON THE POWER on page 15.

### 2 Press the TV button to select a television source or the Console mode.

When the key is inserted, the television will automatically turn on. Select a television source or the Console mode by pressing the TV button repeatedly.

If you have connected a 75 ohm CATV cable to the 75 ohm terminal on the treadmill, select the Tuner source. If you have plugged a DVD player or VCR into the three audio/video RCA jacks, select the Input 1 source. If you have plugged a personal audio/video player into the audio/video jack below the television on the console, select the MP3 source. If you do not wish to use the television, select the Console mode.

### 3 Press the Channel buttons to select the desired channel.

Note: Complete this step only if you are using analog cable. Otherwise, change channels through an external source such as your cable box or your VCR.

When the television is turned on, the screen will show the last cable channel that was selected. To

select a different channel, press the Channel (Chan) buttons. The selected cable channel number will appear on the screen for a few seconds. Note: The television is equipped with a channel memorizing function that allows you to go directly from the current channel to the next channel saved in memory. Before channels can be selected in this way, they must be saved in the television's memory. See HOW TO USE THE INFORMATION MODE on page 19.

### 4 Press the Volume buttons to adjust the volume.

When either Volume (Vol) button is pressed, the volume level indicator will appear on the screen for a few seconds.

To use earphones or headphones (not included), plug them into the headphone jack beside the key on the console.

## HOW TO USE THE STEREO SOUND SYSTEM

To play music or audio books through the console's stereo speakers, you must connect your MP3 player or CD player to the console. Locate the audio/video jack below the television on the console, and plug it into a jack on your MP3 player, CD player, or personal video player. **Make sure that the audio/video cable is fully plugged in.**

Next, press the Play button on your MP3 player, CD player, or personal video player. Then, adjust the volume on your MP3 player, CD player, or personal audio/video player. You can also adjust the volume on the console by pressing the Volume increase and decrease buttons.

If you are using a personal CD player or DVD player and the CD or DVD skips, set the CD player or DVD player on the floor or another flat surface instead of on the console.

## HOW TO USE THE INFORMATION MODE

The console features an information mode that allows you to view treadmill usage information, select a system of measurement for the console, and turn on and turn off the demo mode. The information mode also allows you to adjust the settings of the television and to save channels into the television's memory.

Follow the steps below to use the information mode.

### **1 Hold down the Stop button while inserting the key into the console.**

When the information mode is selected, the lower part of the screen will show the total number of miles or kilometers that the walking belt has moved (Distance) and the total number of hours that the treadmill has been used (Time).

In addition, the center of the display will show the word "English" for English miles or the word "Metric" for metric kilometers. Press the Speed + button to change the unit of measurement if desired.

**IMPORTANT:** If the words "Demo On" appear in the center of the display, the "demo" mode is selected. This mode is intended to be used only when a treadmill is displayed in a store. When the demo mode is selected, the power cord can be plugged in, the key can be removed from the console, and the displays on the console will automatically light in a preset sequence. The buttons on the console will not function. **If the words "Demo On" appear in the display when the information mode is selected, press the Speed – button so the words "Demo Off" appear.**

### **2 Press the TV button and adjust the brightness, contrast, color, sharpness, and/or hue of the television.**

When the TV button is pressed, the brightness level indicator will appear on the television screen. Press the Volume buttons to adjust the brightness setting if desired.

Next, press the Channel buttons until the contrast, color, sharpness, or hue level indicator appears. Adjust the settings, if desired, by pressing the Volume buttons.

### **3 Press the TV button again and add or delete channels.**

Note: Complete this step only if you are using analog cable.

After all valid cable channels available in your area have been saved into the television's memory (see step 5 on this page), you can manually add channels or delete unwanted channels.

To add or delete a cable channel, first press the Channel buttons until the desired channel number appears on the screen. Then, press the Volume increase button to add the channel, or the Volume decrease button to delete the channel. Continue this process until you have added all desired channels and deleted all unwanted channels.

### **4 Press the TV button again and select a cable connection.**

If you have connected a CATV cable, one of the three Cable settings should be selected; try all three Cable settings, if necessary, to find the optimal setting. Press the Volume increase button to select the Standard Cable setting, the Channel decrease button to select the Cable IRC setting, or the Channel increase button to select the Cable HRC setting.

### **5 Press the TV button again and save channels into the television's memory.**

When the TV button is pressed, the television will begin scanning all of the cable channels available in your area. When no cable signal is detected on a channel, the channel will be skipped. When a cable signal is detected, the channel will be saved into memory and the next channel will be selected. This process will continue until the highest channel is reached. **Do not remove the key while the television is scanning channels.**

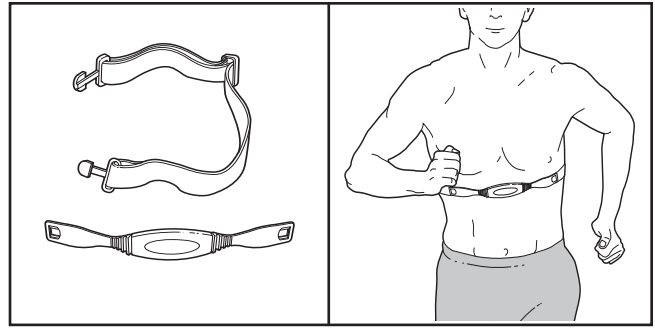
Note: If you are viewing channels through an external source such as a cable box or a VCR, the television will save only the channel used by the external source.

### **6 When you are finished using the information mode, remove the key.**

To exit the information mode at any time (except while the television is scanning channels), remove the key from the console.

## THE OPTIONAL CHEST PULSE SENSOR

An optional chest pulse sensor offers hands-free operation as it monitors your heart rate during your workouts. **To purchase the optional chest pulse sensor, call the toll-free telephone number on the front cover of this manual.**

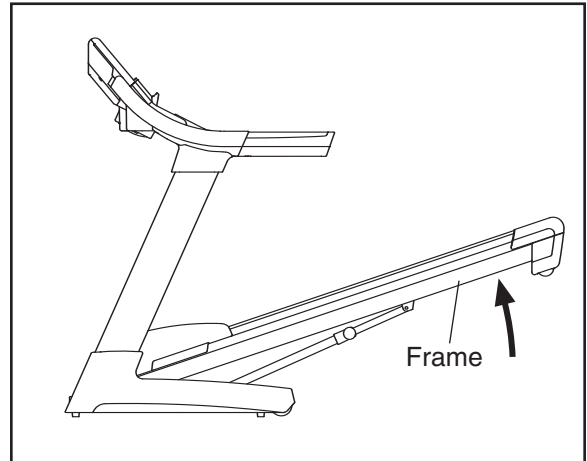


# HOW TO FOLD AND MOVE THE TREADMILL

## HOW TO FOLD THE TREADMILL FOR STORAGE

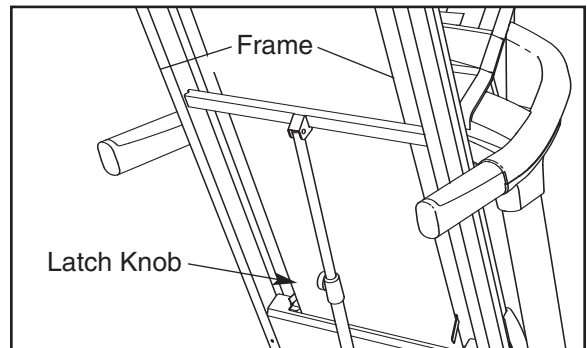
Before folding the treadmill, adjust the incline to the lowest position. If you do not do this, you may damage the treadmill when you fold it. Next, remove the key and unplug the power cord. **CAUTION:** You must be able to safely lift 45 pounds (20 kg) to raise, lower, or move the treadmill.

1. Hold the metal frame firmly in the location shown by the arrow at the right. **CAUTION:** To decrease the possibility of injury, do not lift the frame by the plastic foot rails. Bend your legs and keep your back straight as you raise the frame—do not lift with your back. Raise the frame about halfway to the vertical position.



2. Raise the frame until the latch knob locks into the storage position. **Make sure that the latch knob is locked in the storage position.**

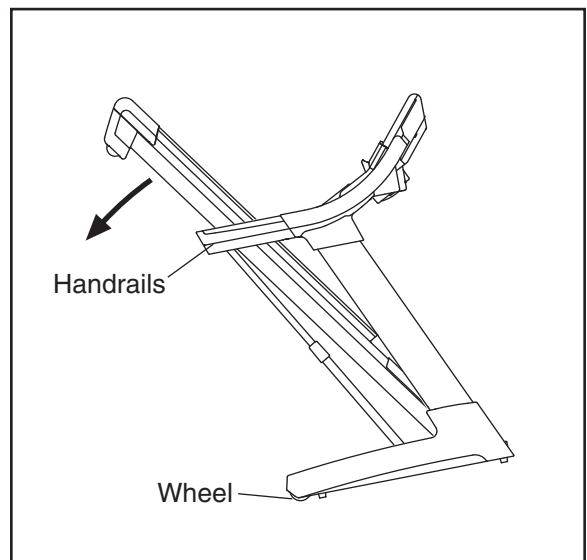
To protect the floor or carpet from damage, place a mat under the treadmill. Keep the treadmill out of direct sunlight. Do not leave the treadmill in the storage position in temperatures above 85° Fahrenheit.



## HOW TO MOVE THE TREADMILL

Before moving the treadmill, convert the treadmill to the storage position as described above. **Make sure that the latch knob is locked in the storage position.**

1. Hold the handrails and place one foot against one of the wheels.
2. Tilt the treadmill back until it rolls freely on the wheels. Carefully move the treadmill to the desired location. **Never move the treadmill without tipping it back. To reduce the risk of injury, use extreme caution while moving the treadmill. Do not attempt to move the treadmill over an uneven surface.**
3. Place one foot against one of the wheels, and carefully lower the treadmill until it is resting in the storage position.



## HOW TO LOWER THE TREADMILL FOR USE

1. Hold the upper end of the treadmill with your left hand. Pull the latch knob to the left and hold it. Pivot the frame downward and release the latch knob. Note: To release the latch knob, it may be necessary to push the frame forward as you pull the latch knob to the left.
2. **Hold the metal frame firmly with both hands, and lower it to the floor. CAUTION: To decrease the possibility of injury, do not lower the frame by gripping only the plastic foot rails. Do not drop the frame to the floor. Make sure to bend your legs and keep your back straight.**

# TROUBLESHOOTING

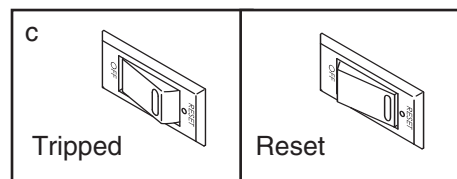
Most treadmill problems can be solved by following the steps below. Find the symptom that applies, and follow the steps listed. If further assistance is needed, please see the front cover of this manual.

## PROBLEM: The power does not turn on

**SOLUTION:** a. Make sure that the power cord is plugged into a surge suppressor, and that the surge suppressor is plugged into a properly grounded outlet (see page 13). Use only a single-outlet surge suppressor that meets all of the specifications described on page 13. Important: The treadmill is not compatible with GFCI-equipped outlets.

b. After the power cord has been plugged in, make sure that the key is inserted into the console.

c. Check the reset/off circuit breaker located on the treadmill frame near the power cord. If the switch protrudes as shown, the circuit breaker has tripped. To reset the circuit breaker, wait for five minutes and then press the switch to the reset position.



## PROBLEM: The power turns off during use

**SOLUTION:** a. Check the reset/off circuit breaker (see the drawing above). If the circuit breaker has tripped, wait for five minutes and then press the switch to the reset position.

b. Make sure that the power cord is plugged in. If the power cord is plugged in, unplug it, wait for five minutes, and then plug it back in.

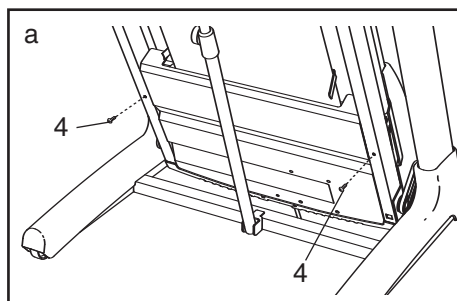
c. Remove the key from the console. Reinsert the key into the console.

d. If the treadmill still will not run, please see the front cover of this manual.

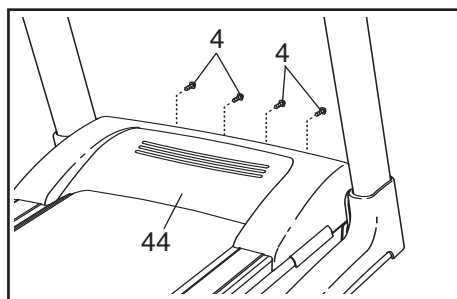
## PROBLEM: The displays of the console do not function properly

**SOLUTION:** a. Remove the key from the console and **UNPLUG THE POWER CORD**. Place the treadmill in the storage position (see HOW TO FOLD AND MOVE THE TREADMILL on page 21).

Next, remove the two indicated 3/4" Screws (4).

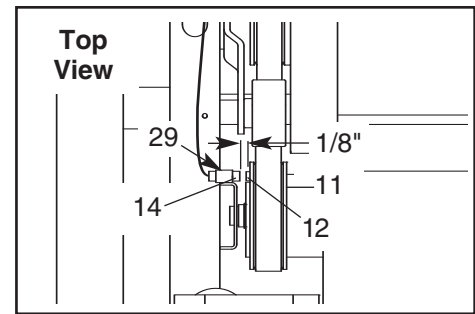


Lower the treadmill (see HOW TO LOWER THE TREADMILL FOR USE on page 21). Remove the four indicated 3/4" Screws (4), and remove the Hood (44).



Next, locate the Reed Switch (14) and the Magnet (12) on the left side of the Pulley (11). Turn the Pulley until the Magnet is aligned with the Reed Switch.

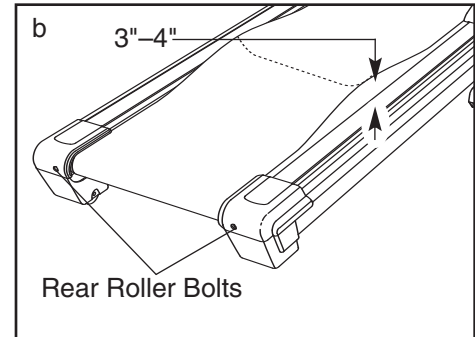
**Make sure that the gap between the Magnet and the Reed Switch is about 1/8".** If necessary, loosen the indicated Screw (29), move the Reed Switch slightly, and then retighten the Screw. Then, reattach the hood, and run the treadmill for a few minutes to check for a correct speed reading.



**PROBLEM: The walking belt slows when walked on**

**SOLUTION:** a. Use only a single-outlet surge suppressor that meets all of the specifications described on page 13.

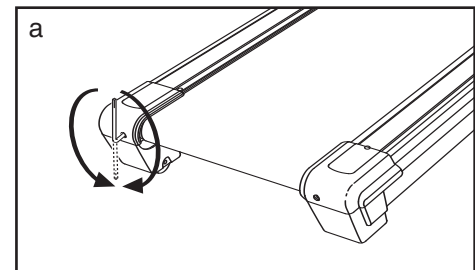
- b. If the walking belt is overtightened, treadmill performance may decrease and the walking belt may become damaged. Remove the key and **UNPLUG THE POWER CORD**. Using the hex key, turn both rear roller bolts counterclockwise, 1/4 of a turn. When the walking belt is properly tightened, you should be able to lift each edge of the walking belt 3 to 4 inches off the walking platform. Be careful to keep the walking belt centered. Then, plug in the power cord, insert the key, and run the treadmill for a few minutes. Repeat until the walking belt is properly tightened.



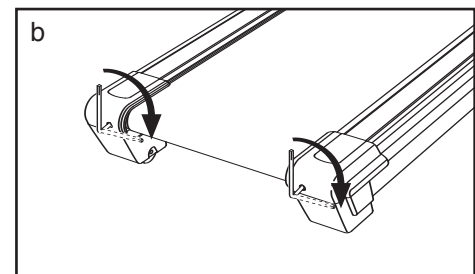
- c. If the walking belt still slows when walked on, please see the front cover of this manual.

**PROBLEM: The walking belt is off-center or slips when walked on**

**SOLUTION:** a. If the walking belt is off-center, remove the key and **UNPLUG THE POWER CORD**. **If the walking belt has shifted to the left**, use the hex key to turn the left rear roller bolt clockwise 1/2 of a turn; **if the walking belt has shifted to the right**, turn the left rear roller bolt counterclockwise 1/2 of a turn. Be careful not to overtighten the walking belt. Plug in the power cord, insert the key, and run the treadmill for a few minutes. Repeat until the walking belt is centered.



- b. If the walking belt slips when walked on, first remove the key and **UNPLUG THE POWER CORD**. Using the hex key, turn both rear roller bolts clockwise, 1/4 of a turn. When the walking belt is correctly tightened, you should be able to lift each edge of the walking belt 3 to 4 inches off the walking platform. Be careful to keep the walking belt centered. Then, plug in the power cord, insert the key, and carefully walk on the treadmill for a few minutes. Repeat until the walking belt is properly tightened.



**PROBLEM: The incline of the treadmill does not change correctly**

**SOLUTION:** a. With the key in the console, press one of the Incline buttons. **While the incline is changing, remove the key.** After a few seconds, re-insert the key. The treadmill will automatically rise to the maximum incline level and then return to the minimum level. This will recalibrate the incline system.

**PROBLEM: The latch knob will not lock into place**

**SOLUTION:** a. With the key in the console, press one of the Incline buttons. **While the incline is changing, remove the key.** After a few seconds, re-insert the key. The treadmill will automatically rise to the maximum incline level and then return to the minimum level. This will recalibrate the incline system. Check the lock knob to make sure it locks into place.

**PROBLEM: Television reception is poor**

**SOLUTION:** a. Check for the problems listed below and follow the applicable instructions.

- Ignition (black spots or horizontal streaks that appear or a picture that flutters or drifts)—Usually this is caused by interference from automobile ignition systems, neon lamps, electric drifts, or other electric appliances. Try changing the position of other electric appliances to correct the problem. Make sure that the treadmill is plugged into its own electrical circuit.
- Ghosts—Ghosts are caused by the television signal following two paths—one is the direct path and the other is reflected from tall buildings, hills, or other objects.
- Blue Screen—If the cable channel signal is weak, the picture may be of poor quality or a blue screen may appear.

Note: If one of these symptoms appears, the symptom may be caused by the local cable company signal reception.



# CONDITIONING GUIDELINES

**⚠️ WARNING:** Before beginning this or any exercise program, consult your physician. This is especially important for individuals over the age of 35 or individuals with pre-existing health problems.

The pulse sensor is not a medical device. Various factors, including your movement, may affect the accuracy of heart rate readings. The sensor is intended only as an exercise aid in determining heart rate trends in general.

The following guidelines will help you to plan your exercise program. For more detailed exercise information, obtain a reputable book or consult your physician.

## EXERCISE INTENSITY

Whether your goal is to burn fat or to strengthen your cardiovascular system, the key to achieving the desired results is to exercise with the proper intensity. The proper intensity level can be found by using your heart rate as a guide. The chart below shows recommended heart rates for fat burning and aerobic exercise.

| HEART RATE TRAINING ZONES |     |     |     |     |     |     |     |
|---------------------------|-----|-----|-----|-----|-----|-----|-----|
| AEROBIC                   | 165 | 155 | 145 | 140 | 130 | 125 | 115 |
| MAX FAT BURN              | 145 | 138 | 130 | 125 | 118 | 110 | 103 |
| FAT BURN                  | 125 | 120 | 115 | 110 | 105 | 95  | 90  |
| Age                       | 20  | 30  | 40  | 50  | 60  | 70  | 80  |

To find the proper heart rate for you, first find your age near the bottom of the chart (ages are rounded off to the nearest ten years). Next, find the three numbers above your age. The three numbers define your “training zone.” The lower two numbers are recommended heart rates for fat burning; the higher number is the recommended heart rate for aerobic exercise.

## Fat Burning

To burn fat effectively, you must exercise at a relatively low intensity level for a sustained period of time. During the first few minutes of exercise, your body uses easily accessible *carbohydrate calories* for energy. Only after the first few minutes does your body begin to use stored *fat calories* for energy. If your goal

is to burn fat, adjust the speed and incline of the treadmill until your heart rate is near the lowest number in your training zone.

For maximum fat burning, adjust the speed and incline of the treadmill until your heart rate is near the middle number in your training zone.

## Aerobic Exercise

If your goal is to strengthen your cardiovascular system, your exercise must be “aerobic.” Aerobic exercise is activity that requires large amounts of oxygen for prolonged periods of time. This increases the demand on the heart to pump blood to the muscles, and on the lungs to oxygenate the blood. For aerobic exercise, adjust the speed and incline of the treadmill until your heart rate is near the highest number in your training zone.

## WORKOUT GUIDELINES

Each workout should include the following three parts:

**A Warm-up**—Start each workout with 5 to 10 minutes of stretching and light exercise. A proper warm-up increases your body temperature, heart rate and circulation in preparation for exercise.

**Training Zone Exercise**—After warming up, increase the intensity of your exercise until your pulse is in your training zone for 20 to 60 minutes. (During the first few weeks of your exercise program, do not keep your pulse in your training zone for longer than 20 minutes.) Breathe regularly and deeply as you exercise—never hold your breath.

**A Cool-down**—Finish each workout with 5 to 10 minutes of stretching to cool down. This will increase the flexibility of your muscles and will help prevent post-exercise problems.

## EXERCISE FREQUENCY

To maintain or improve your condition, complete three workouts each week, with at least one day of rest between workouts. After a few months, you may complete up to five workouts each week if desired. The key to success is to make exercise a regular and enjoyable part of your everyday life.

# PART LIST—Model No. PFTL99806.2

R1107A

To locate the parts listed below, see the EXPLODED DRAWING attached in the center of this manual.

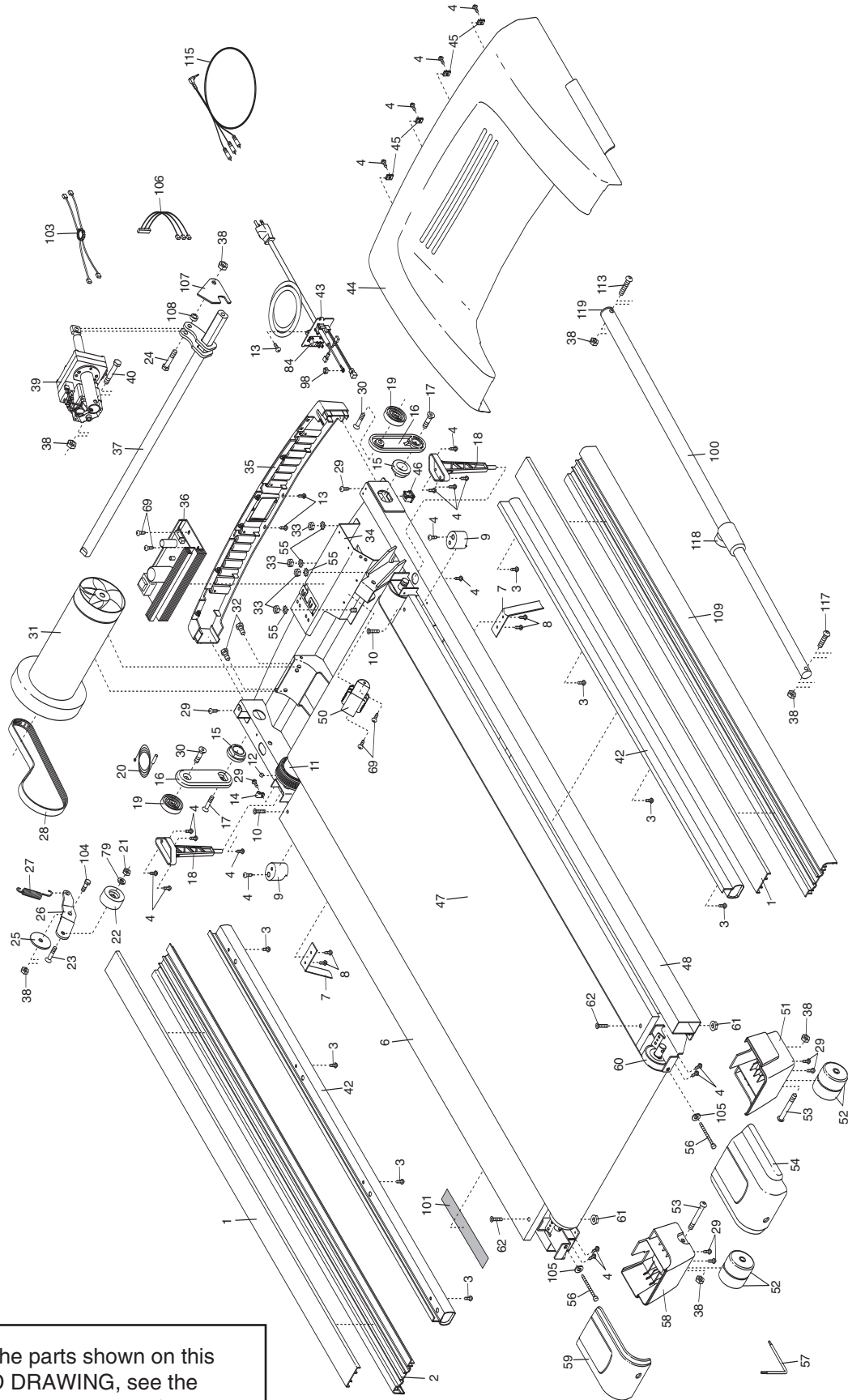
| Key No. | Qty. | Description             | Key No. | Qty. | Description                  |
|---------|------|-------------------------|---------|------|------------------------------|
| 1       | 2    | Foot Rail Cover         | 50      | 1    | Transformer                  |
| 2       | 1    | Left Foot Rail          | 51      | 1    | Right Rear Foot              |
| 3       | 8    | Isolator Screw          | 52      | 4    | Rear Wheel                   |
| 4       | 56   | 3/4" Screw              | 53      | 2    | Rear Wheel Bolt              |
| 5       | 3    | Ground Wire Screw       | 54      | 1    | Right Rear Endcap            |
| 6       | 1    | Walking Platform        | 55      | 4    | Bracket Washer               |
| 7       | 2    | Belt Guide              | 56      | 2    | Rear Roller Adj. Bolt        |
| 8       | 4    | Belt Guide Screw        | 57      | 1    | Allen Wrench                 |
| 9       | 2    | Front Isolator          | 58      | 1    | Left Rear Foot               |
| 10      | 2    | Platform Bolt, Front    | 59      | 1    | Left Rear Endcap             |
| 11      | 1    | Front Roller/Pulley     | 60      | 1    | Rear Roller                  |
| 12      | 1    | Magnet                  | 61      | 2    | Platform Nut                 |
| 13      | 17   | 1/2" Screw              | 62      | 2    | Platform Bolt, Rear          |
| 14      | 1    | Reed Switch Clip        | 63      | 1    | Console Fan                  |
| 15      | 2    | Incline Rod Bushing     | 64      | 6    | Handrail Bolt                |
| 16      | 2    | Lift Arm                | 65      | 1    | Console Base                 |
| 17      | 2    | Lift Pivot Bolt         | 66      | 1    | Console                      |
| 18      | 2    | Hood Mount              | 67      | 1    | TV Console                   |
| 19      | 2    | Lift Arm Spacer         | 68      | 1    | Static Decal                 |
| 20      | 1    | Reed Switch             | 69      | 6    | Electronics Screw            |
| 21      | 1    | Idler Wheel Nut         | 70      | 1    | Pulse Receiver Cover         |
| 22      | 1    | Idler Wheel             | 71      | 1    | Console Wire Harness         |
| 23      | 1    | Idler Wheel Bolt        | 72      | 4    | Upright Bolt                 |
| 24      | 1    | Lift Motor Bolt, Bottom | 73      | 1    | Left Upright                 |
| 25      | 1    | Idler Arm Spacer        | 74      | 1    | Right Upright                |
| 26      | 1    | Idler Arm               | 75      | 1    | Upright Wire Harness         |
| 27      | 1    | Idler Arm Spring        | 76      | 1    | Left Base Cover              |
| 28      | 1    | Motor Belt              | 77      | 1    | Right Base Cover             |
| 29      | 9    | 3/4" Tek Screw          | 78      | 4    | Base Pad Spacer              |
| 30      | 2    | Lift Pivot Bolt         | 79      | 1    | Idler Wheel Washer           |
| 31      | 1    | Drive Motor             | 80      | 4    | Console Crossbar Star Washer |
| 32      | 2    | Motor Bolt              | 81      | 4    | Base Pad                     |
| 33      | 4    | Electronic Bracket Nut  | 82      | 4    | 1" Tek Screw                 |
| 34      | 1    | Electronic Bracket      | 83      | 1    | Base                         |
| 35      | 1    | Front Endcap            | 84      | 1    | Reset/Off Circuit Breaker    |
| 36      | 1    | Controller              | 85      | 2    | Wheel Bolt                   |
| 37      | 1    | Incline Rod             | 86      | 2    | Wheel                        |
| 38      | 11   | Nut                     | 87      | 2    | Base Cover Caution Decal     |
| 39      | 1    | Lift Motor              | 88      | 4    | Console Clamp Screw          |
| 40      | 1    | Lift Motor Bolt, Top    | 89      | 1    | Key/Clip                     |
| 41      | 1    | AV Cover                | 90      | 10   | Upright Star Washer          |
| 42      | 2    | Platform Cushion        | 91      | 3    | Releasable Tie               |
| 43      | 1    | Power Cord Assembly     | 92      | 2    | Tie Clamp                    |
| 44      | 1    | Hood                    | 93      | 14   | Plastic Tie                  |
| 45      | 4    | Hood Clip               | 94      | 2    | Handrail Cover               |
| 46      | 2    | Grommet                 | 95      | 1    | Left Upright Sleeve          |
| 47      | 1    | Walking Belt            | 96      | 1    | Right Upright Sleeve         |
| 48      | 1    | Frame                   | 97      | 1    | AV Wire                      |
| 49      | 1    | TV Cable                | 98      | 1    | Ground Nut                   |

| Key No. | Qty. | Description              | Key No. | Qty. | Description         |
|---------|------|--------------------------|---------|------|---------------------|
| 99      | 1    | Handrail                 | 117     | 1    | Upper Latch Bolt    |
| 100     | 1    | Latch Assembly           | 118     | 1    | Latch Knob          |
| 101     | 1    | Latch Warning Decal      | 119     | 1    | Latch Endcap        |
| 102     | 1    | AV Wire Nut              | 120     | 1    | Left Pulse Grip     |
| 103     | 1    | Filter Wire              | 121     | 1    | Right Pulse Grip    |
| 104     | 1    | Idler Arm Bolt           | 122     | 3    | 4" Ground Wire      |
| 105     | 2    | Rear Roller Washer       | 123     | 1    | Console TV Cable    |
| 106     | 1    | Incline/Controller Wire  | 124     | 1    | Speaker Cover       |
| 107     | 1    | Incline Stop Bracket     | 125     | 1    | Speaker             |
| 108     | 1    | Stop Bracket Spacer      | 126     | 4    | Speaker Screw       |
| 109     | 1    | Right Foot Rail          | 127     | 1    | Caution Decal, Base |
| 110     | 1    | Pulse Plate              | 128     | 8    | Pulse Plate Screw   |
| 111     | 2    | TV Cable Nut             | #       | 2    | Console Jumper Wire |
| 112     | 1    | TV Cable Star Washer     | #       | 1    | 8" Blue Wire, 2 F   |
| 113     | 1    | Lower Latch Bolt         | #       | 1    | User's Manual       |
| 114     | 4    | Handrail Cover Fastener  |         |      |                     |
| 115     | 1    | Audio/Video Wire Harness |         |      |                     |
| 116     | 2    | Console Clamp            |         |      |                     |

# These parts are not illustrated

# EXPLODED DRAWING—Model No. PFTL99806.2

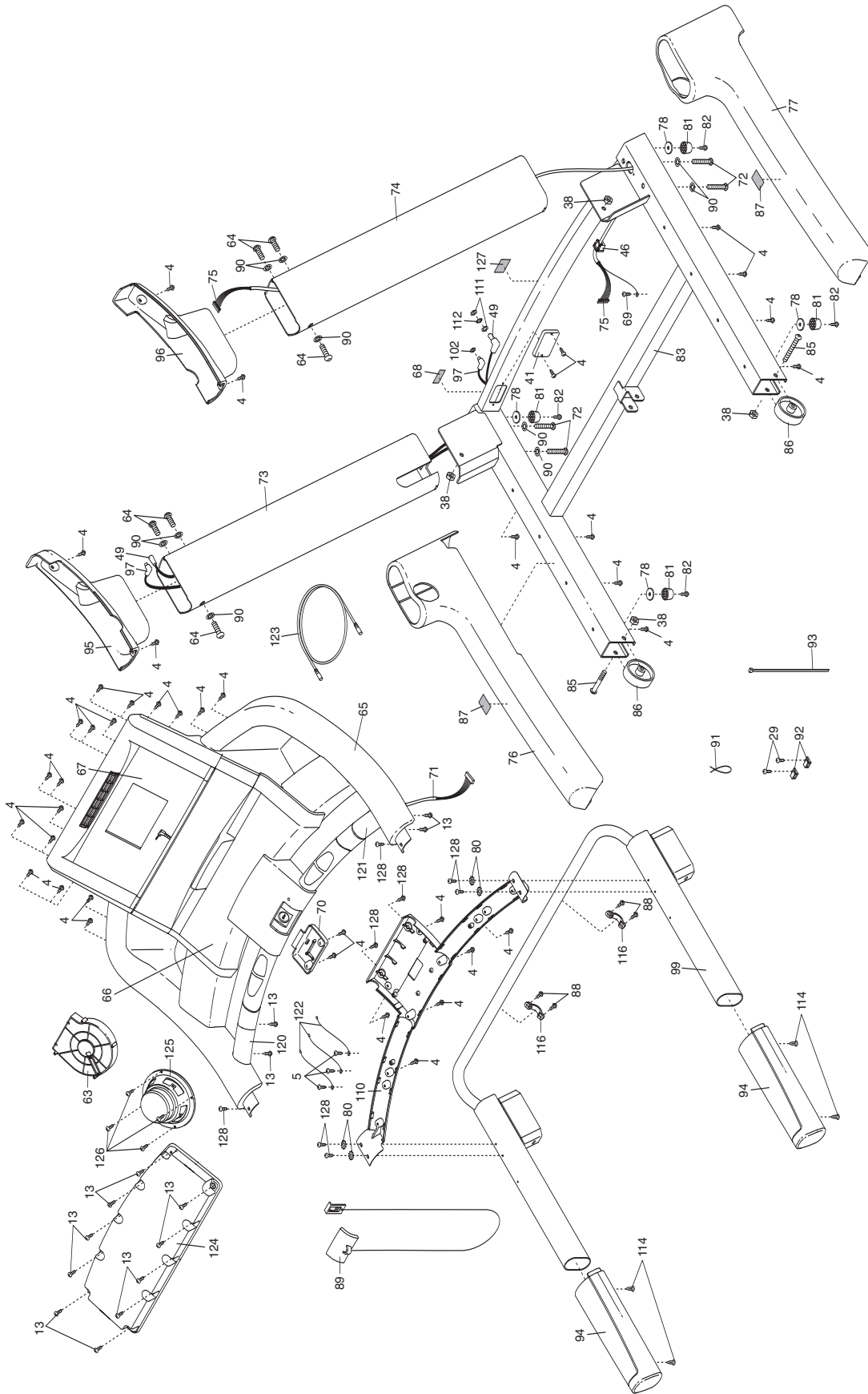
R1107A



To identify the parts shown on this EXPLODED DRAWING, see the PART LIST on pages 26 and 27.

# EXPLODED DRAWING—Model No. PFTL99806.2

R1107A



---

# ORDERING REPLACEMENT PARTS

To order replacement parts, see the front cover of this manual. When ordering parts, please be prepared to provide the following information:

- the MODEL NUMBER of the product (PFTL99806.2)
- the NAME of the product (PROFORM PERSPECTIVE ES treadmill)
- the SERIAL NUMBER of the product (see the front cover of this manual)
- the KEY NUMBER and DESCRIPTION of the part(s) (see the PART LIST on pages 26 and 27 and the EXPLODED DRAWING attached in the center of this manual)

## LIMITED WARRANTY

ICON Health & Fitness, Inc. (ICON) warrants this product to be free from defects in workmanship and material, under normal use and service conditions. The drive motor is warranted for twenty (20) years after the date of purchase. Parts and labor are warranted for one (1) year after the date of purchase.

This warranty extends only to the original purchaser. ICON's obligation under this warranty is limited to replacing or repairing, at ICON's option, the product through one of its authorized service centers. All repairs for which warranty claims are made must be pre-authorized by ICON. If the product is shipped to a service center, freight charges to and from the service center will be the customer's responsibility. For in-home service, the customer will be responsible for a minimal trip charge. This warranty does not extend to any product or damage to a product caused by or attributable to freight damage, abuse, misuse, improper or abnormal usage or repairs not provided by an ICON authorized service center; products used for commercial or rental purposes; or products used as store display models. No other warranty beyond that specifically set forth above is authorized by ICON.

ICON is not responsible or liable for indirect, special or consequential damages arising out of or in connection with the use or performance of the product or damages with respect to any economic loss, loss of property, loss of revenues or profits, loss of enjoyment or use, costs of removal or installation or other consequential damages of whatsoever nature. Some states do not allow the exclusion or limitation of incidental or consequential damages. Accordingly, the above limitation may not apply to you.

The warranty extended hereunder is in lieu of any and all other warranties and any implied warranties of merchantability or fitness for a particular purpose is limited in its scope and duration to the terms set forth herein. Some states do not allow limitations on how long an implied warranty lasts. Accordingly, the above limitation may not apply to you.

This warranty gives you specific legal rights. You may also have other rights which vary from state to state.

**ICON HEALTH & FITNESS, INC., 1500 S. 1000 W., LOGAN, UT 84321-9813**

## Free Manuals Download Website

<http://myh66.com>

<http://usermanuals.us>

<http://www.somanuals.com>

<http://www.4manuals.cc>

<http://www.manual-lib.com>

<http://www.404manual.com>

<http://www.luxmanual.com>

<http://aubethermostatmanual.com>

Golf course search by state

<http://golfingnear.com>

Email search by domain

<http://emailbydomain.com>

Auto manuals search

<http://auto.somanuals.com>

TV manuals search

<http://tv.somanuals.com>