

SPECIFICATION

GENERAL SPECIFICATIONS

Power Requirement..... 14.4V DC(10.8 to 15.6 allow)
 Current Consumption..... Less than 2.0A
 Maximun Power output..... 240WATTS
 Line output..... RMS 35W x 4 @ 4 ohm
 Dimensions(w x h x d)..... 182 x 53 x 158mm

DVD DECK SPECIFICATIONS

Format..... DVD-Video Disc (2 Layer, 2 side)
 Compact Disc
 Video System..... Standard NTSC/PAL
 Audio System..... MP3
 Loading System..... Auto Loading
 Mounting Angle..... 0 to +/-30

VIDEO SPECIFICATIONS

Video System..... 4:3 Letter Box and 4:3 Pan Scan
 Video Output level..... 1.0Vp-p 75 ohms
 Horizontal Resolution..... 500
 Video Input Terminal..... 0.5 to 2.0Vp-p 75 ohms

AUDIO SPECIFICATIONS

Maximum Output..... 2Vrms(+/-3dB)
 Frequency Response..... 20 to 20KHz
 S/N Ratio(A-vtd)..... 85dB
 Separation..... 80dB

RADIO SPECIFICATIONS

FM SECTION

Frequency range..... 87.5MHz - 107.9MHz
 Usable sensitivity..... 3uV
 I.F Frequency..... 10.7MHz

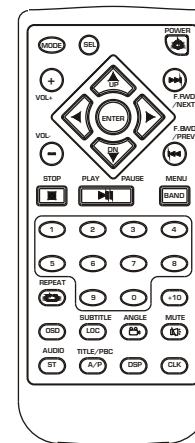
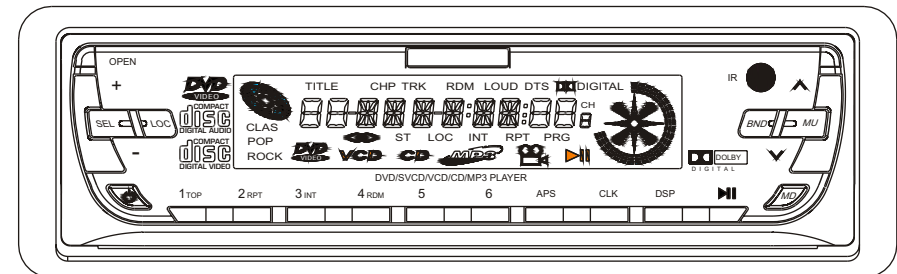
AM SECTION

Frequency..... 530KHz - 1710KHz

PYLE® plus

PLDVD188

INSTRUCTION MANUAL



Fully Compatible To All Types
Of Discs Such As DVD, VCD,
SUPER VCD, MP3, CD.

**ANTI-THEFT FLIP DOWN DETACHABLE PANEL
 CAR DVD VIDEO DIGITAL PLAYER
 AM/FM-STEREO DIGITAL PLL TUNING RADIO
 WITH INFRARED REMOTE CONTROLLER**

WARNING!

THE STAND ALONE DIGITAL MEDIA PLAYER DESIGNED FOR REAR SEAT VIEWING OF ALL KINDS OF DISCS OR LISTENING RADIO. DIGITAL VIDEO PRODUCTS ARE NOT INTENDED FOR VIEWING BY THE DRIVER WHILE THE VEHICLE IS IN MOTION SINCE SUCH USE MAY DISTRACT THE DRIVER OR INTERFERE WITH THE DRIVER'S SAFE OPERATION OF THE VEHICLE AND MAY RESULT IN SERIOUS INJURY OR DEATH.

REGION MANAGEMENT INFORMATION

This DVD player is designed and manufactured to the certain discs. The region number described on the DVD discs should correspond to the region number of this DVD player. Otherwise, this DVD player can not play this kind of discs.

The region numbers assigned in different regions

REGION NUMBERS	AREA
1	NORTH-AMERICA(U.S.A, CANADA)
2	WEST-EUROPE, NORTH-EUROPE, EGYPT, SOUTH-AFRICA, MIDDLE-EAST(EAST FROM IRAN), JAPAN
3	SOUTH-EAST ASIA(EAST FROM TAIWAN AND SOUTH COREA, WEST FROM THAILAND, SOUTH FROM INDIA)
4	MIDDLE AMERICA, SOUTH AMERICA, AUSTRALIA, NEW ZEALAND
5	EAST EUROPE, RUSSIA, MONGOLIA, INDIA, PAKISTAN, AFGHANISTAN, NORTH COREA, AFRICA(EXCEPT EGYPT AND SOUTH AFRICAN)
6	CHINA MAINLAND

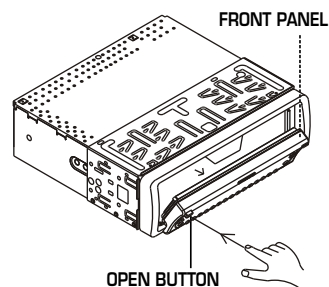
TROUBLE SHOOTING

Symptom	Cause	Solution
Power does not turn on	IR Remote not functioning.	Check the IR remote For a good battery.
DVD Disc does not insert.	Another disc is Already in unit.	Eject first DVD disc and insert another into unit.
The disc is ejected as soon as it is inserted.	The disc has been inserted Upside down.	Insert the disc with the label side up.
Sound skips or noisy.	Disc is dirty. Disc is seriously scratched or warped.	Clean the disc with a soft cloth. Replace the disc with no scratches.
Sound is bad after power is turned on.	Condensation may have formed on the Internal lens when the car is parked in a humid place.	Let dry for about one hour with the power turned on.
Error2	A DVD/CD is caught inside the deck and will not Eject.	Consul your dealer at the store of purchase.
Error3	A DVD/CD can not be played due to scratches, etc.	Replace with a non-scratched, non-warped disc.
Error6	A DVD/CD is loaded upside-Down.	Eject the disc and reload it properly.

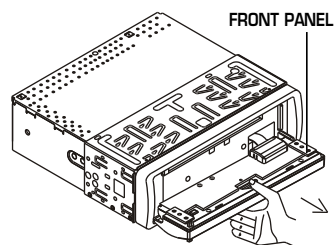
ABOUT FRONT PANEL AND PROTECTION CASE

CAUTION: Do not install the detachable panel before connecting the wire.

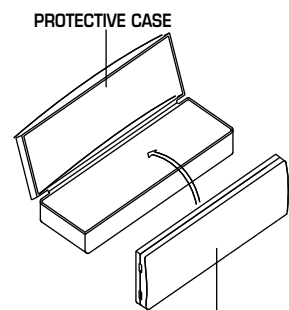
1. The unit is designed for negative terminal of the battery which is connected to the vehicle metal. Please confirm it before installation.
2. If the car interior is extremely hot, as after being parked in the sun, do not use the player until the car has been driven for a while to cool off the interior.
3. Press the OPEN button to flip down the front panel (see fig.1), then take away the front panel (see fig.2) and put it in the protective case (see fig.3) safe keeping.
4. Install the front panel back into its bracket and then push it back to the position for playing (see fig.4).



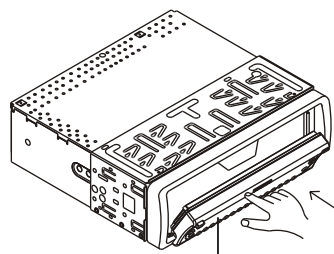
(FIG.1)



(FIG.2)



(FIG.3)



(FIG.4)

CONTENTS

WARNING.....	1
REGION MANAGEMENT INFORMATION.....	1
CONTENTS.....	2
DVD FEATURES.....	3
THE FRONT PANEL DIAGRAM.....	4
DESCRIPTION OF THE FRONT FACE AFTER TAKING OUT THE FRONT PANEL.....	4
DESCRIPTION OF THE REAR CONNECTORS.....	5
THE REMOTE CONTROLLER DIAGRAM.....	6
DESCRIPTION OF LCD ON THE FRONT PANEL.....	7
DESCRIPTION OF THE BACK OF THE FRONT PANEL.....	8
LOADING THE BATTERY IN THE REMOTE CONTROLLER.....	8
CONNECTING.....	9
GLOSSARY.....	10

SAME FUNCTION BUTTONS IN DISC OR RADIO MODE.....11

RADIO OPERATION.....12

DISC BASIC OPERATION

TO TURN ON TO PLAY.....	13
TO PAUSE THE PLAYBACK.....	14
TO STOP THE PLAYBACK.....	14
TO END PLAYING.....	15

DISC ADVANCED OPERATION

TO SELECT PLAYING CONTENTS WITH THE MENU.....	16
FAST FORWARD OR REVERSE PLAYING.....	16
TO SELECT NEXT OR LAST CHAPTER/TRACK TO PLAY.....	17
TO REPEAT PLAYING.....	17
TO CHANGE THE LANGUAGE OF THE CAPTION.....	18
TO CHECK TITLE, CHAPTER SEQUENCE NUMBER AND PLAYING TIME.....	18
USE OF PAD NUMBERS.....	19
VIEW IN DIFFERENT ANGLE.....	19
TO SELECT THE FIRST TRACK/CHAPTER TO PLAY.....	20
TO SCAN DISC.....	20
TO PLAY DISC IN RANDOM.....	20
CHANGING LANGUAGE TYPE.....	20
RESET DISTORTED PROGRAM.....	21
SETTING UP SYSTEM.....	21

INSTALLATION.....	25
CARE AND MAINTENANCE.....	27
ABOUT FRONT PANEL AND PROTECTION CASE.....	29
TROUBLE SHOOTING.....	30
SPECIFICATION.....	COVER 4

DVD FEATURES

MAIN FUNCTIONS

- * Fully compatibility/ Its fully compatible to all types of discs such as DVD, SVCD, VCD, CD, Mp3.
- * Picture with high fidelity resolution/ Horizontal resolution as high as 500dpi. It can make full use of the advantages of large screen TV based on the fidelity of normal TV.

OTHER FUNCTIONS

- * Many angles of enjoyment/ Users can enjoy the picture from different angles selected such as zoom in, side view, panorama etc.
- * Many types of picture ratio modes/ These modes enable the DVD player to suit different TV screen.

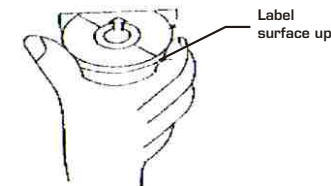
CLEANING DISCS

Before playing, clean the disc with a clean, lint-free. Flip the disc in the direction of the arrow.



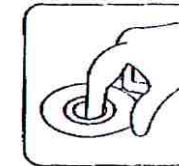
NOTE:

- . Do not use so solvents such as benzene, thinners. Commercially available cleaners or anti static spray damage the unit.
- . Insert a disc with the label surface down. Doing so may damage the unit.



NOTE:

- . Do not try to insert another disc when one has been already inserted. Doing so may damage the unit.
- . Handle the disc by its edge. And to keep the disc clean, do not touch the surface.



.Do not stick paper or tape on the disc.

.Do not expose the disc to direct sunlight or heat sources such as hot air ducts. Or leave it in a car parked in direct sunlight where there can be a considerable rise in temperature.

CARE AND MAINTENANCE

DVD CARE

- * Always handle the disc by the edges. Never touch the surface. To remove fingerprints and dust, use a soft cloth and wipe in a straight line from the center of the disc to the outside edge. (See page 28)
- * Take care of IR Remote Control. Keep the remote with your DVD cases, where it is unlikely to be lost or damaged.
- * Keep liquids away from the DVD player, including beverages and cleaning liquids. Spilling any liquid on the player can damage the electronics, resulting in an electrical shock or fire.
- * If the unit or remote control should become wet, turn off all power and let an authorized dealer clean or service the equipment.

CAUTION:

DO NOT ATTEMPT TO OPEN OR SERVICE THE UNIT OR REMOTE CONTROL. THE INTERNAL PARTS ARE NOT USER SERVICEABLE.

- * Do not use any liquid or aerosol cleaners, anti-static spray, or thinner to clean the disc surface.
- * Do not allow coins, cleaning cloths, papers and other objects to be pushed into the DVD slot, these objects could connect with a voltage point inside the unit and cause an electrical shock, or may short out parts causing unit failure or fire.

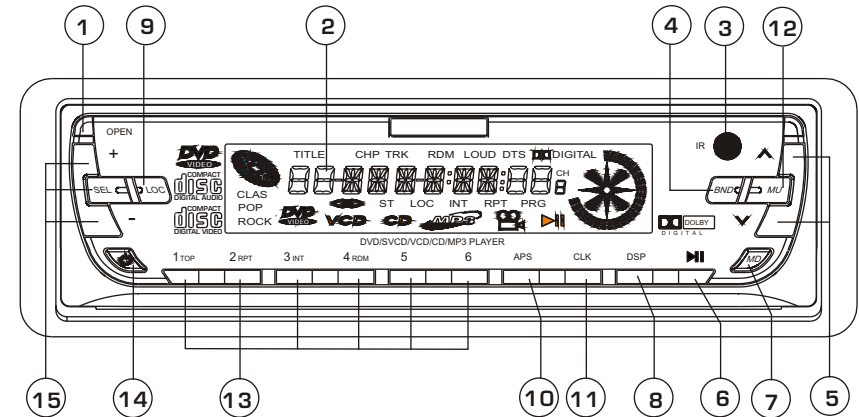
TEMPERATURE AND MOISTURE

when the inside of the vehicle is very cold and the player is used immediately, moisture may form on the disc or the optical parts and proper playback may not be possible. If moisture forms on the disc, wipe it off with a soft cloth. If moisture forms on the optical parts of the player, allow the player to sit for about one hour with power on. The condensation will disappear naturally allowing for normal operation. Please consult your nearest dealer for recommendations and service.

OPERATION PRECAUTIONS

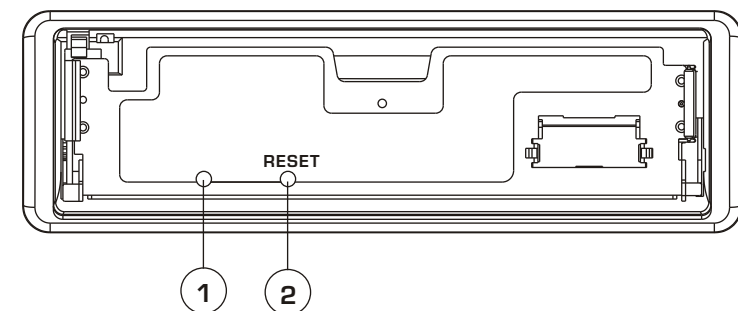
- * Do not subject the unit to direct sunlight or in extremely hot environment (e.g closed windows on a hot summer day, direct, direct path or heater vent, etc.).
- * Avoid using the unit under the following conditions:
 - After external parking on an extremely hot or cold day.
 - Near strong magnetic fields.
 - In an environment with excessive humidity, dust, or vibration (e.g off-road travel, etc.)
- * Do not directly touch the disc surface. Never stick labels on the surface of the disc or mark the surface with a pen.
- * Always place a DVD disc back into its case after use.

THE FRONT PANEL DIAGRAM



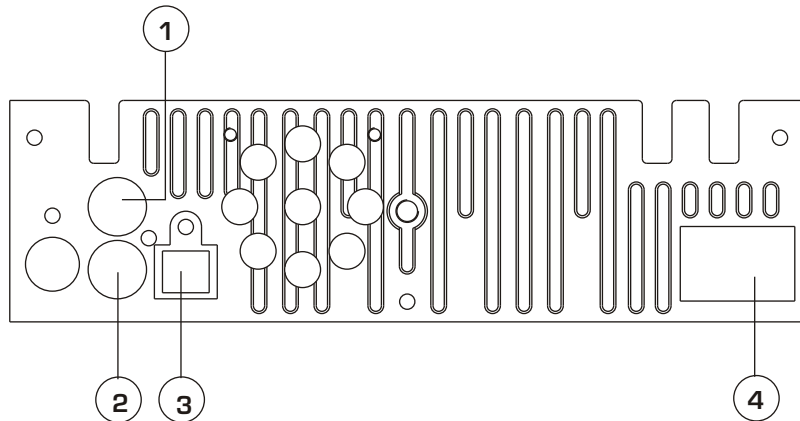
- | | |
|-----------------------------|---|
| 1. OPEN BUTTON | 9. LOCAL/DISTANCE BUTTON |
| 2. LCD SCREEN | 10. APS BUTTON |
| 3. IR REMOTE SENSOR | 11. CLOCK BUTTON |
| 4. BAND BUTTON | 12. MUTE/LCD COLOUR BUTTON |
| 5. UP(^)/DN(V) BUTTONS | 13. PRESET STATION AND TOP/RPT /INT/RDM BUTTONS |
| 6. PLAY/PAUSE BUTTON | 14. POWER BUTTON |
| 7. MODE BUTTON | 15. SOUND MODE AND LEVEL BUTTONS |
| 8. DISPLAY/SUBWOOFER BUTTON | |

DESCRIPTION OF THE FRONT FACE AFTER TAKING OUT THE FRONT PANEL



1. LED INDICATOR: Flashing when detachable panel is removed.
2. RESET BUTTON: Press it to rehabilitate the distorted program to zero.

DESCRIPTION OF THE REAR CONNECTORS



1,2. VIDEO OUTPUT (2 RCA jacks)

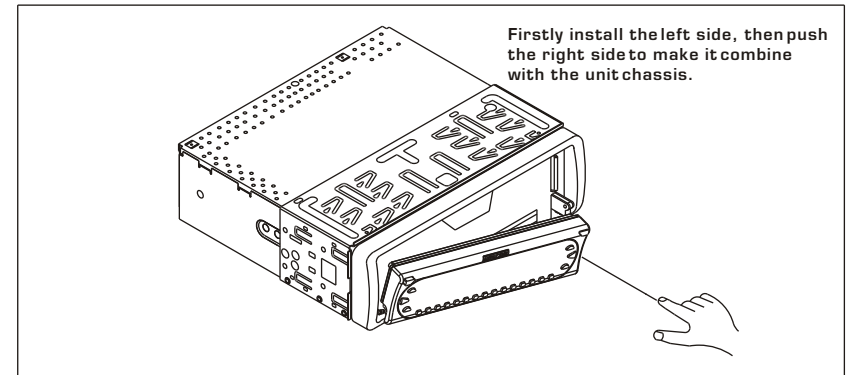
Use an video cable to connect the video output signal to the external video monitors.

3. OPTICAL DIGITAL AUDIO OUTPUT

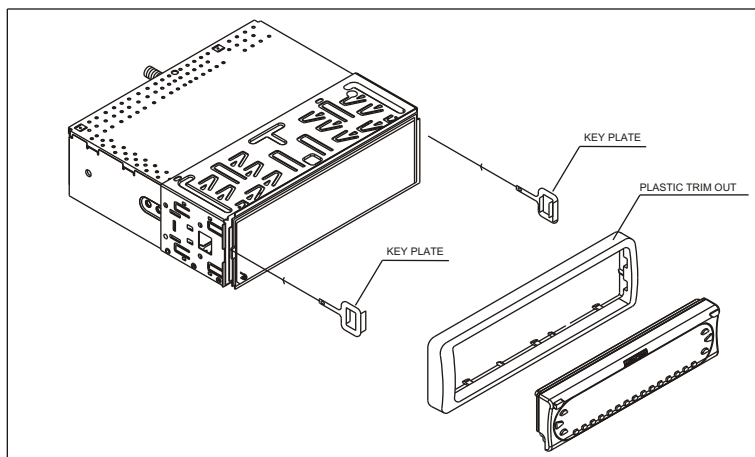
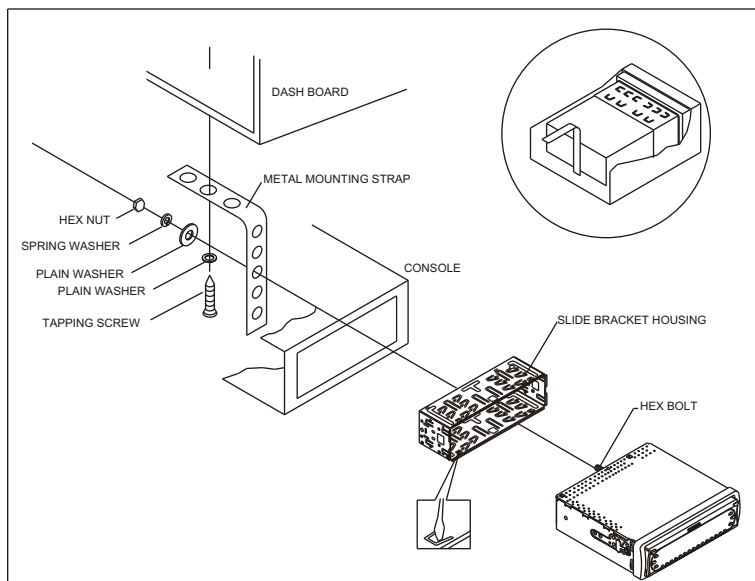
Use an optical audio cable to connect the digital audio output signal to external audio amplifier system.

4. WIRING CONNECTING SOCKET

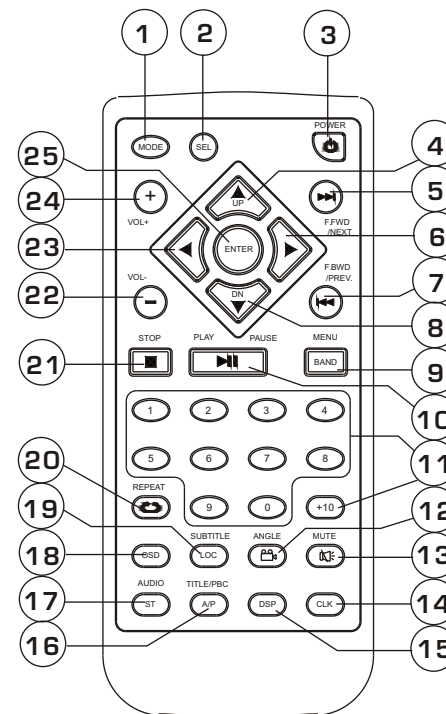
INSTALLATION



INSTALLATION



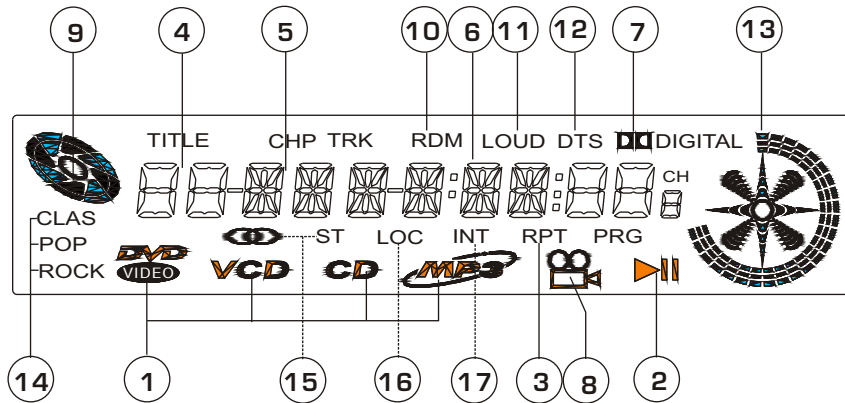
THE REMOTE CONTROLLER DIAGRAM



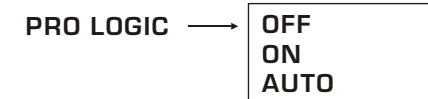
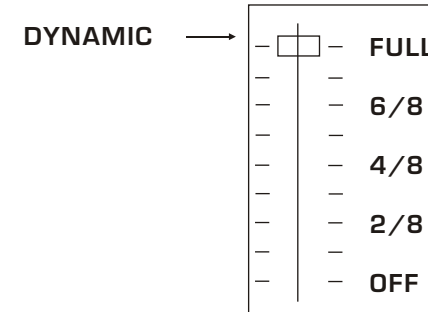
- 1. MODE BUTTON
- 2. SEL BUTTON
- 3. POWER BUTTON
- 4. JOG UP/SEEK UP BUTTON
- 5. F.FWD/NEXT BUTTON
- 6. JOG RIGHT BUTTON
- 7. F.BWD/PREV. BUTTON
- 8. JOG DN/SEEK DN BUTTON
- 9. MENU/BAND BUTTON

- 10. PLAY/PAUSE BUTTON
- 11. NUMBER/PRESET MEMORY BUTTONS
- 12. ANGLE BUTTON
- 13. MUTE/LCD COLOUR BUTTON
- 14. CLOCK BUTTON
- 15. DISPLAY/SUBWOOFER BUTTON
- 16. TITLE/PBC AND A/P BUTTON
- 17. AUDIO AND ST/MO BUTTON
- 18. OSD BUTTON
- 19. SUBTITLE AND LO/DX BUTTON
- 20. REPEAT BUTTON
- 21. STOP BUTTON
- 22. VOLUME - BUTTON
- 23. JOG LEFT BUTTON
- 24. VOLUME + BUTTON
- 25. ENTER BUTTON

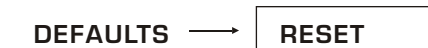
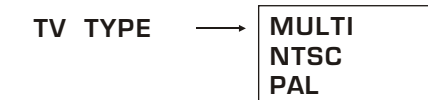
DESCRIPTION OF LCD ON THE FRONT PANEL



1. DVD/VCD/CD/MP3 indicators
2. Operating status indicators (play or pause)
3. Repeat playback indicators (single or all for DVD disc, single for VCD/CD disc, single, folder and all for MP3 disc)
4. Title number indicator
5. Chapter number indicator
6. Disc playing time indicator for DVD/VCD, track time indicator for CD/MP3.
7. Dolby digital indicator
8. Viewing in different angle indicator
9. Disc rotation indicator
10. RANDOM indicator
11. LOUDNESS indicator
12. DTS digital output indicator
13. SPECTRUM indicator
14. CLASSIC, POP and ROCK equalizer curves indicators
15. STEREO indicator
16. LOCAL station indicator
17. SCAN disc indicator



- 3). The setup items of each setup item in the PREFERENCES setup menu show like the following:



4. Press JOG button to select the setup item and then press ENTER button to make it effective.

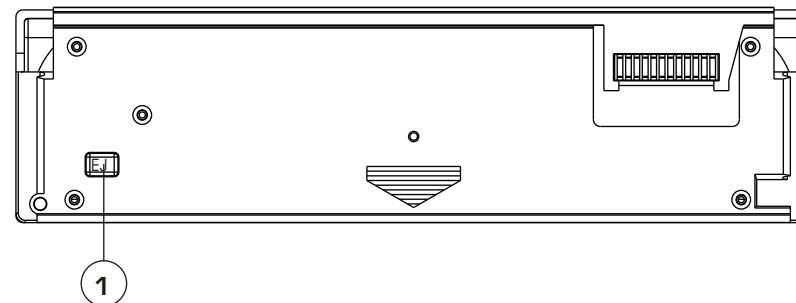
- 1). The setup items of each setup item in the **GENERAL** setup menu show like the following:

TV DISPLAY	→	NORMAL/PS NORMAL/LB WIDE
PIC MODE	→	AUTO HI-RES N-FLICKER
ANGLE MARK	→	ON OFF
OSD LANG	→	ENGLISH CHINESE
CAPTIONS	→	ON OFF
SCR SAVER	→	ON OFF

- 2). The setup items of each setup item in the **AUDIO** setup menu show like the following:

AUDIO OUT	→	ANALOG SPDIF/RAW SPDIF/PCM
OP MODE	→	LINE OUT RF REMOTE
DUAL MONO	→	STEREO L-MONO R-MONO MIX-MONO

DESCRIPTION OF THE BACK OF THE FRONT PANEL



EJECT BUTTON: Press it to eject the disc from compartment.

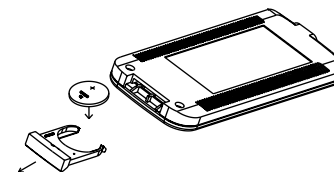
LOADING THE BATTERY IN THE REMOTE CONTROLLER

REMOTE CONTROL BASICS BATTERY REPLACEMENT

1. Remove the battery holder as the direction indicated by the arrow.
2. Replace the battery Set a new battery property with (+)side up as illustrated.
3. Insert the battery holder. Push in the holder to the original position.

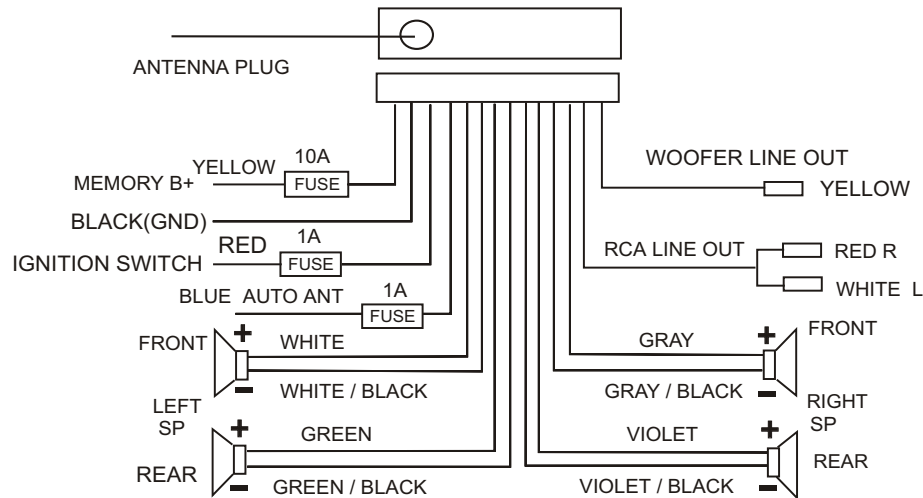
NOTE ON BATTERIES

1. Old batteries must immediately be removed and disposed.
2. Improper use of batteries may cause overheating, explosion or ignition. Resulting in injury or fire .
3. Battery leakage may cause damage to the unit.
4. Do not disassemble or short the batteries.
5. Do not throw the batteries into the fire.
6. To avoid the risk of accident, keep the batteries out of reach of children.



CONNECTING

POWER AND SPEAKERS OUTPUT



NOTE:

In spite of having any kinds of speaker system, must use 4 ohms impedance of speaker to reduce the distortion during high volume level.

2).

AUDIO SETUP

AUDIO OUT
OP MODE
DUAL MONO
DYNAMIC
PRO LOGIC
LPCM OUTPUT

MAIN PAGE
??????(display the selected item)

3).

PREFERENCES PAGE

TV TYPE
DEFAULTS

MAIN PAGE
??????(display the selected item)

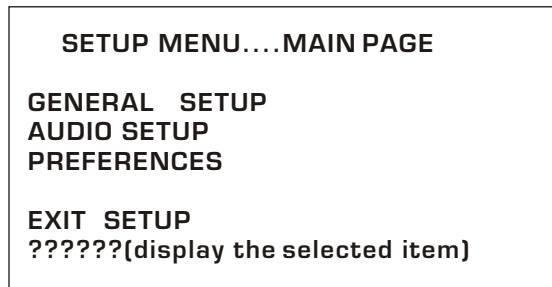
3. In one of the above setup menu, press JOG up or down button to select setup item, so the TV screen will show the setup items of the selected setup item on the right side of the selected setup item(select MAIN PAGE item and then press ENTER button to return back to SETUP MENU). These setup items menu of each one of the GENERAL, AUDIO SETUP and PREFERENCES setup items like followings:

RESET DISTORTED PROGRAM

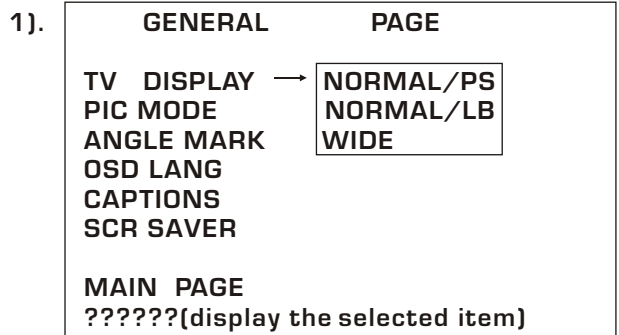
When the program of the DVD player is distorted or the disc in the slot can not be ejected, press OPEN button on the front panel to flip down the front panel from the DVD player, then take away the front panel from the DVD player and then press the RESET button on the front facet of the unit chassis to rehabilitate the distorted program to zero; finally install the front panel back to the previous position in the DVD player.

SETTING UP SYSTEM

- 1. Press MENU button on the IR remote controller to display the following settings menu on the TV screen:



- 2. Press JOG up or down button to select the SETUP item in the settings menu, then the DVD player will display the following settings menus on the TV screen (select EXIT SETUP item and then press ENTER button to exit setting menu to resume normal playback)



GLOSSARY

Title: The longest sections of a picture or a music piece or a movie etc on a DVD. Each title is assigned a title number enabling you to locate the title you want.

Track: The sections of a picture or a music piece on a VCD or CD. Each track is assigned a track number enabling you to locate the track you want.

Chapter: A complete section of a picture or a music piece on a DVD that are smaller than a title. A title is composed of several chapters. Each chapter is assigned a chapter number.

Caption: The language displayed at the bottom of the TV screen, normally the translation or the dialogue, which are also recorded on the disc.

Angle: Some DVD disc are recorded from different angles so that users can view the same scene from different angles.

SAME FUNCTION BUTTONS IN DISC OR RADIO MODE

1. **POWER BUTTON**
Press the **POWER** button on the front panel or the remote controller to turn on the unit.
2. **MODE BUTTON**
Press the **MODE** button on the front panel or the remote controller to select **DISC** or **RADIO** mode.
3. **AUDIO MODE AND LEVEL BUTTONS**
Press the **SEL** button on the front panel or the remote controller to select the audio mode such as **VOL**, **BASS**, **TREBLE**, **BALANCE** and **FADER**, then press the **+** or **-** button on the front panel or the remote controller to adjust the level of them.
4. **MUTE/LCD COLOUR (EFFECT ONLY FOR MULTI-COLOUR LCD, NO EFFECT FOR BLACK MASK LCD) BUTTON**
Press the **MUTE** button on the front panel or the remote controller to eliminate the sound immediately and the audio mute indicator on the LCD will be flashed, press it again to resume the normal playback. Press it hold for more than 2 seconds to turn on or off the **LCD FLASH**, and the LCD will show **FLASH ON** or **FLASH OFF**. When in **FLASH ON** mode, the LCD will change the LCD light colour alternatively. When finding your desired LCD flash colour, press it hold for more than 2 seconds again to select the LCD light colour and stop flashing.
5. **CLOCK DISPLAY AND ADJUSTMENT BUTTONS**
Press the **CLK** button on the front panel or the remote controller to display time on LCD. Press the **CLK** button hold for about 2 seconds to flash **HOUR**, then press the **+** or **-** button on the front panel or the remote controller to adjust **HOUR**, then press the **SEL** button to flash **MINUTE**, then press the **+** or **-** button to adjust **MINUTE**.
6. **DSP/SUBWOOFER BUTTON**
Press the **DSP** button on the front panel or the remote controller to select the preset music equalizer curves: **FLAT**, **POP**, **CLASSIC** and **ROCK**. The sound effect will be changed.
Press it for more than 2 seconds to turn on (default) or off the sub-woofer.
7. **OPEN BUTTON**
Press the **OPEN** button on the front panel to flip down the front panel from the unit, then you can insert the disc into the disc compartment or press the **EJECT** button on the back of the front panel to eject the disc or take away the front panel.
8. **IR REMOTE SENSOR**

TO SELECT THE FIRST TRACK/CHAPTER TO PLAY

1. In the state of **VCD/CD/MP3** disc playing, press the **1TOP** button on the front panel to select the first track/chapter to play. (depend on the disc used for **VCD**)
2. In the state of **DVD** disc playing, the **1TOP** button is not available.

TO SCAN DISC

1. In the state of **VCD/CD** disc playing, press the **3INT** button on the front panel to play the previous 10 seconds part of each track/chapter on disc. (depend on the disc used for **VCD**)
2. In the state of **DVD/MP3** disc playing, the **3INT** button is not available.

TO PLAY DISC IN RANDOM

1. In the state of **VCD/CD/MP3** disc playing, press the **4RDM** button on the front panel to play in random or select **DISC REP.** (depend on the disc used for **VCD**)
2. In the state of **DVD** disc playing, the **4RDM** button is not available.

CHANGING LANGUAGE TYPE

1. In the state of **DVD** disc playing, press the **AUDIO** button repeatedly on the IR remote controller to select the desired language type. (depend on the disc used)
2. In the state of **MP3** disc playing, the **AUDIO** button on the IR remote controller is not available.
3. In the state of **VCD/CD** disc playing, press the **AUDIO** button repeatedly to select **STEREO**, **MONO LEFT** and **MONO RIGHT** sound mode, no language function.

USE OF PAD NUMBERS

1. In the state of VCD disc playing, press PBC button on the IR remote controller to turn PBC function ON/OFF:
 - 1). When it is in the state of PBC ON and display the title menu on the TV screen if the disc include TITLE MENU, press one of NUMBER buttons to select the track/chapter to playback; During playing, the NUMBER buttons are not available.
 - 2). When it is in the state of PBC OFF, press one of the NUMBER buttons to select the chapter/track to playback.
 2. In the state of DVD disc playing, press TITLE button to display the title menu; then press the NUMBER button to select the chapter/track to playback.
 3. In the state of CD/MP3 disc playing, press the NUMBER button to select the chapter/track to playback.
- * +10 BUTTON: Press it once to display 1-, then press one of 1-9 NUMBER buttons to select one of the 11th-19th tracks. Press it twice to display 2-, then press one of 1-9 NUMBER buttons to select one of the 21th-29th tracks. Press one of 1-9 NUMBER button and then press +10 button to display 1- again(depend on the disc used).
- * The 1-6 digital buttons on the front panel have not the function of selecting track/chapter to playback, but the 1-4 digital buttons on the front panel have the function of TOP, RPT, INT and RDM.

VIEW IN DIFFERENT ANGLE

1. In the state of VCD/MP3/CD disc playing, the ANGLE button on the IR remote controller is not available.
2. In the state of DVD disc playing, press TITLE button on the IR remote controller to display TITLE MENU on TV screen, then select ANGLE FUNCTION item and then press ENTER button on the IR remote controller to turn into ANGLE function playing mode, then press the ANGLE button repeatedly on the IR remote controller to view in different angle.(depend on the disc used)

RADIO OPERATION

1. PRESET STATION [1-6] BUTTONS
 - A). To memorize the current frequency, press any one of the six preset buttons(1-6) on the front panel or on the remote controller hold for more than 2 seconds.
 - B). To recall the preset memory, press one of the preset buttons [1-6].
2. AS/PS BUTTON

When shortly pressing the APS button on the front panel or the A/P button on the remote controller, the radio searches for each preset station. When the field strength level is more than the threshold level of stop level, the radio is holding at that preset number for few seconds with releasing mute, and then searches again. In FM band, FM 1, FM 2 and FM 3 is checked one at a time. When long pressing the APS or A/P button (more than 1 second), the radio searches from the current frequency and checks the signal strength level until 1 cycle search is finished. And then 6 strongest stations are preset to the corresponding preset number. The AS operation is implemented in the each band of selected band. When the AS operation is finished, the radio executes the preset scan.
3. LOC BUTTON(effect only for FM)

If you find that the signal is weak and the listening effect is bad when tuning for the distance station, check whether the word LOC is displayed on LCD. If the word LOC is displayed on LCD, press the LOC button on the front panel or the remote controller to turn off LOC function, then tune for distance radio station again.

If you find that the signal is so strong that the interfere is stronger when tuning for the local station, check whether the word LOC is displayed on LCD. If the word LOC is displayed on LCD, press the LOC button to turn on LOC function, then tune for local radio station again.
4. BAND and PAL/NTSC BUTTON

In RADIO mode, press it repeatedly on the remote controller or the BND button on the front controller to select your desired radio band and word which band is selected will be displayed on LCD.

In DISC mode, press it repeatedly to select PAL or NTSC mode.
5. TUNE/SEEK UP/DOWN BUTTONS

Press UP or DN button on the remote controller or ^ or v button on the front panel to manually tune up or down for your desired station. Press them hold for more than 2 seconds to automatically tune up or down for the stronger station.
6. STEREO/MONO BUTTON

Press the ST button on the remote controller to select STEREO or MONO sound mode.

DISC BASIC OPERATION

TO TURN ON TO PLAY

1. Connect the DVD player into the video monitor and adjust the video monitor to make it to be in good state of COLOUR, BRIGHTNESS and so on.
 2. Press POWER button on the remote controller or the front panel of the DVD player to turn on the DVD player, then the DVD VIDEO will displayed on TV screen(if it is in disc mode).
 3. Press OPEN button on the front panel of the DVD player to flip down the front panel, then insert the disc in the slot with the label side upward. When the disc is inserted halfway, it is automatically pulled into the unit. At the moment, the TV screen will show DISC LOADING, then PLAY in the upper left corner and the DVD LCD will show disc rotation indicator, DVD/CD/VCD/MP3 (depend on the disc species) indicator, playing indicator(depend on disc species), title number indicator(depend on disc species), chapter number indicator(depend on disc species) and disc playing time indicator. Some discs may automatically start playback from the first chapter /track. Some discs will automatically start playback by displaying the disc title menu on TV screen.
 4. When displaying the DVD title menu on TV screen, press PLAY/ PAUSE button on IR remote controller or the front panel of the DVD player to play the defaulted first track/chapter; or press JOG buttons to select track/chapter in the DVD title menu and then press ENTER button on the IR remote controller or PLAY/PAUSE button on the IR remote controller or on the front panel of the DVD player to play the selected track/chapter.
- * When playback a double-sided DVD video disc, insert the disc with top side up. Play it back in its entirety, then take out the disc and turn it over to play the second side. (The top and back side of a DVD video disc are marked differently on different discs)

IN THE STATE OF MP3 DISC PLAYING

Press the REPEAT button on the IR remote controller or the 2RPT button on the front panel to select REPEAT ONE, FOLDER REPEAT or DISC REPEAT. Press the PLAY/PAUSE button to resume the normal playback.(The defaulted repeat mode is DISC REPEAT).

IN THE STATE OF CD DISC PLAYING

Press the REPEAT button on the IR remote controller or the 2RPT button on the front panel to select REPEAT ONE, DISC REPEAT(defaulted repeat mode).

TO CHANGE THE LANGUAGE OF THE CAPTION

In the state of DVD disc playing, press SUBTITLE button repeatedly to select the language of the caption or turn off the caption.(depend on the disc used.)

In the state of VCD/CD/MP3 disc playing, the button is not available.

TO CHECK TITLE, CHAPTER SEQUENCE NUMBER OR PLAYING TIME

1. In the state of DVD disc playing, press the OSD button repeatedly on the remote controller to display the title, chapter sequence number or different species of time about current playing disc, such as TITLE REMAIN time, CHAPTER ELAPSED time and CHAPTER REMAIN time.
2. In the state of CD disc playing, press the OSD button repeatedly on the remote controller to display the different species of time about current playing disc, such as SINGLE ELAPSED time, SINGLE REMAIN time, TOTAL ELAPSED time, TOTAL REMAIN time, then checking time OFF.
3. In the state of MP3 disc playing, press the OSD button repeatedly on the remote controller to display the different species of time about current playing disc, such as SINGLE ELAPSED time, SINGLE REMAIN time.
4. In the state of VCD disc playing:
 - 1). When in the state of PBC ON, press the OSD button repeatedly on the remote controller to display the different species of time about current playing disc, such as SINGLE ELAPSED time, SINGLE REMAIN time, and then OFF.
 - 2). When in the state of PBC OFF, press the OSD button repeatedly to display the different species of time about current playing disc, such as SINGLE ELAPSED time, SINGLE REMAIN time, TOTAL ELAPSED time, TOTAL REMAIN time, then checking time OFF.

TO SELECT NEXT OR LAST CHAPTER/TRACK TO PLAY

1. Press the F.FWD/NEXT button on the IR remote controller or the ^ button on the front panel during playback to select the next chapter/track to playback.
NOTE: PRESS THE F.FWD/NEXT OR ^BUTTON MULTIPLE TIMES TO ADVANCE MULTIPLE CHAPTERS FORWARD.
 2. Press the F.BWD/PREV. button on the IR remote controller or the v button on the front panel during playback to select the last chapter/track to playback.
NOTE: PRESS THE F.BWD/PREV. OR V BUTTON MULTIPLE TIMES TO ADVANCE MULTIPLE CHAPTERS BACKWARD.
- * The sound is muted during chapter/track forward or backward.
 - * While in chapter/track forward or backward the display status screen is activated along the top of the screen.
 - * For VCD disc, when PBC ON, the PREV. button is not available.

TO REPEAT PLAYING

IN THE STATE OF DVD DISC PLAYING

Press the REPEAT button on the IR remote controller or the 2RPT button on the front panel to select CHAPTER REPEAT, TITLE REPEAT or REPEAT OFF.

IN THE STATE OF VCD DISC PLAYING

Press PBC button on the IR remote controller to turn PBC function ON/OFF(the defaulted mode is PBC OFF):

1. When it is in the state of PBC ON, during playing, the REPEAT button on the IR remote controller or 2RPT button on the front panel are not available.
2. When it is in the state of PBC OFF, during playing, press the REPEAT button on the IR remote controller or 2RPT button on the front panel to select REPEAT ONE or REPEAT OFF.

TO PAUSE THE PLAYBACK

In the state of DVD/VCD/CD/MP3 disc playing, press the PLAY/PAUSE button on IR remote controller or the front panel of DVD player to pause the playback, press the PLAY/PAUSE button again to resume normal playback.

TO STOP THE PLAYBACK

In the state of DVD disc playing, press the STOP button once on IR remote controller to stop the playback, then press the PLAY/PAUSE button to resume the normal playback; press the STOP button twice to full stop the playback, then press the PLAY/PAUSE button to start playback from the first chapter/track of the disc.

In the state of MP3/CD disc playing, press the STOP button on IR remote controller to stop the playback. Then press the PLAY/PAUSE button to resume the normal playback.

In the state of VCD disc playing, press PBC button on the IR remote controller to turn PBC function ON/OFF:

1. When starting to turn on PBC function, it will play from the beginning of disc(it will display title menu on TV screen if the disc include title menu, then press NUMBER or NEXT button to select chapter/track to play). During playback, the STOP button is not available. (For some discs, when it is in PBC on, press STOP button to return back to title menu during playback.)
2. When starting to turn off PBC function, it will also play from the beginning of disc(it will not display title menu on TV screen even if the disc include title menu). During playback, press the STOP button to stop playback, and then press the PLAY/PAUSE button to play from the beginning of disc again.

TO END PLAYING

1. Press **OPEN** button on the front panel of the DVD player to flip down the front panel, then press **EJECT** button on the back of the front panel of DVD player to eject the disc from the slot and take away the disc.
2. Press the **POWER** button on the IR remote controller or the front panel of the DVD player to turn off the DVD player.

NOTE:

In the state of DVD/VCD/CD/MP3 disc playing, if the power button or the ignition is shut off and then turn on the power or the ignition, the DVD player will resume play at the exact spot where playback was interrupted.

NOTE:

1. If the DVD player can not convey the disc to the reading position after inserting disc into disc compartment, press **EJECT** button hold for more than about 3 seconds to make the DVD player convey the disc to the reading position.
2. If the DVD player can not eject out the disc from the disc compartment after pressing **EJECT** button shortly, press **EJECT** button hold for more than about 3 seconds to make the DVD player eject out the disc from the disc compartment.

DISC ADVANCED OPERATION

TO SELECT PLAYING CONTENTS WITH THE MENU

If the disc includes the title menu:

In the state of DVD disc playing

1. press **TITLE** button on the IR remote controller to display title menu on the TV screen.
2. Press **JOG** button on the IR remote controller to select your desired chapter/track or other icon; or press number button to select your desired chapter/track to playback.
3. Press **ENTER** button on the IR remote controller to play the selected chapter/track; or to display the subtitle menu on the TV screen, then press **JOG** button to select your desired chapter/track or other icon, then press **ENTER** button to play the selected chapter/track.

In the state of CD disc playing

The **TITLE**, **JOG** and **ENTER** buttons are disabled.

In the state of VCD disc playing, press **PBC** button to turn PBC on or off.

1. When starting to turn on PBC function, it will play from the beginning of disc till it display title menu on TV screen if the disc include title menu. For some VCD discs, when it is in PBC on, press **STOP** button to return back to title menu during playback. Then press the **NEXT** or **NUMBER** button to select track/chapter to playback.
2. When starting to turn off PBC function, it will also play from the beginning of disc, but it can not show the title menu.

In the state of MP3 disc playing:

1. After inserting the MP3 disc into the disc slot and then the title menu be showed on TV screen; then press **JOG** button to select your desired **FOLDER**, then press **ENTER** button on TV screen to display the subtitle menu on the TV screen, then press **JOG** button to select your desired track, then press **ENTER** button to play the selected track to playback.
2. During playing, the **TITLE**, **JOG** and **ENTER** buttons are not available, you can press the digital buttons to select the track to playback.

FAST FORWARD OR REVERSE PLAYING

Press the **F.FWE/NEXT** or **F.BWD/PREV.** button continuously on the IR remote controller or the **^** or **v** button on the front panel hold during normal playback to fast play forwards or backwards.

- * While in rapid preview or rapid review the display status screen in activated along the top of the screen.

Free Manuals Download Website

<http://myh66.com>

<http://usermanuals.us>

<http://www.somanuals.com>

<http://www.4manuals.cc>

<http://www.manual-lib.com>

<http://www.404manual.com>

<http://www.luxmanual.com>

<http://aubethermostatmanual.com>

Golf course search by state

<http://golfingnear.com>

Email search by domain

<http://emailbydomain.com>

Auto manuals search

<http://auto.somanuals.com>

TV manuals search

<http://tv.somanuals.com>