

# PYLE<sup>®</sup>

6.5" IN-DASH TFT LCD COLOR VIDEO MONITOR

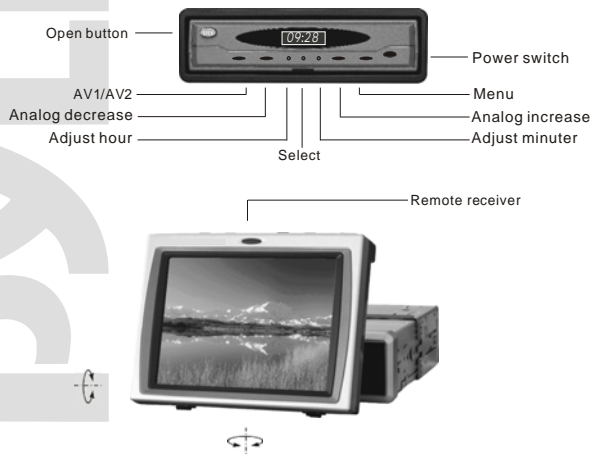
## PLVIN65



[WWW.PYLEAUDIO.COM](http://WWW.PYLEAUDIO.COM)

WARNING:  
DO NOT WATCH MONITOR WHILE  
VEHICLE IN MOTION IT CAN BE  
HAZARDOUS

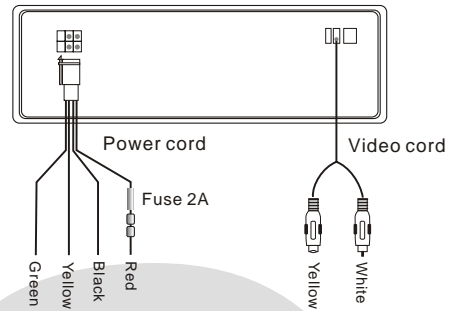
### Control Panel



### Performance Parameter

Type:TFT LCD Video Monitor  
 Built-in Clock  
 Display Size:6.5"  
 Display Format:4:3  
 Power: About 7W  
 Operation Temperature:0°C ~60°C  
 Power supply: DC 11V-14V  
 System: NTSC  
 Resolution:1048x234  
 Overall Dimension:190(L)x182(W)x50(H)mm  
 Weight:About 1900g

### Method Of Wiring



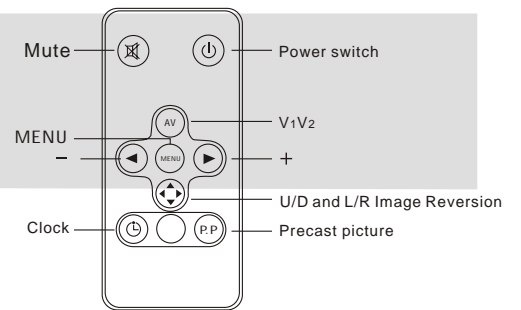
### Power Cord

Green to manual brake  
 Black to grounding  
 Yellow to ACC(+12V)  
 Red to battery +12V

### Video cord

White to video 2  
 Yellow to video 1

### Remote Control



## Free Manuals Download Website

<http://myh66.com>

<http://usermanuals.us>

<http://www.somanuals.com>

<http://www.4manuals.cc>

<http://www.manual-lib.com>

<http://www.404manual.com>

<http://www.luxmanual.com>

<http://aubethermostatmanual.com>

Golf course search by state

<http://golfingnear.com>

Email search by domain

<http://emailbydomain.com>

Auto manuals search

<http://auto.somanuals.com>

TV manuals search

<http://tv.somanuals.com>