



900Mhz Wireless Intercoms

Thank you for purchasing the 900Mhz Wireless Intercoms from **RadioShack**. With a line of site of up to 200 feet, you can use your new intercoms in large areas. You can also connect auxillary audio sources and weather radio (neither included).

RECEIVE BUSY

Lights when you receive a voice message or when you monitor a locked intercom. Flashes when channel is in use.

TALK

Hold down and speak into the **MIC**, release to listen when VOX mode turns off.

MIC

VOX

For hands-free communication, press **VOX** until the VOX level indicator lights to communicate through the intercom hands-free. Repeatedly press **VOX** to set the sensitivity level, from low, medium, to high. VOX function turns off when VOX level indicator turns off.

NOTE

In VOX mode, there is a short delay between when you start talking and intercom transmission.

NOTES

Insert the AC adapter into the DC 9V jack and a standard AC outlet to power your intercom and/or charge batteries.

- You must use a Class 2 power source that supplies regulated 9V DC and delivers at least 350 mA. Its center tip must be set to positive and its plug must fit the intercom's DC 9V jack. Using an adapter that does not meet these specifications could damage the intercoms or the adapter.
- The correct orientation for this power unit is in a vertical or floor mount position.

using ac adaptor



AC adaptor

LOCK

To monitor continuously, press until the **TRANSMIT** indicator flashes. Press **TALK** to unlock.

NOTE

When an intercom is in the LOCK mode, it cannot receive voice messages or call tones from the other intercom.

CALL

Press to sound a tone (or call) on another intercom for about three seconds.

Battery Notes:

- Use only fresh batteries of the required size and recommended type.
- Do not mix old and new batteries, different types of batteries (standard, alkaline, or rechargeable), or rechargeable batteries of different capacities.
- If you do not plan to use the intercoms with batteries for a week or more, remove the batteries. Batteries can leak chemicals that can destroy electronic parts.
- Dispose of old batteries promptly and properly. Do not burn or bury them.
- Always connect the AC adapters to the intercoms before connecting them to AC power.
- Do not attempt to charge alkaline batteries and never install non-rechargeable batteries when **RECHARGE ON/OFF** is set to ON. Nonrechargeable batteries can get hot or explode if you try to charge them.

using rechargeable batteries

To charge rechargeable batteries (not included), slide the **RECHARGE ON/OFF** switch to **ON**, install batteries, plug in the AC adapter, then turn on the intercom. Complete charging takes about 12 to 14 hours. Average charging time varies with different battery capacity.

- NiMH (1500 mAh) batteries charge in about 12 hours.
- NiCd (700 mAh) batteries charge in about 4 hours.

WARNING

You must slide the **RECHARGE ON/OFF** switch to **ON** before charging rechargeable batteries.

what's included

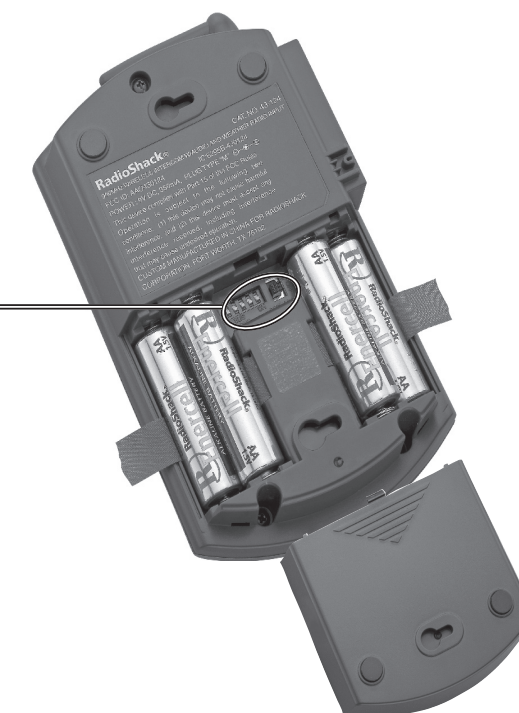
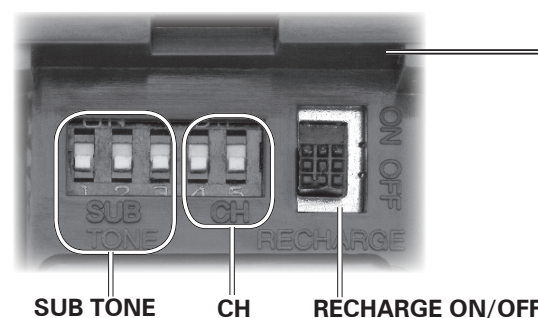
- Wireless Intercoms (2)
- AC Adapters (2)
- User's Guide

Please read this user's guide before installing, setting up and using your new product www.radioshack.com

setting the channel and sub tone

By default your two intercoms are on the same channel, but you can change your intercom channels for your system. Or, if you receive interference on a channel you selected, set each intercom to one of eight different sub tones. Complete the following to change the intercoms channel or sub tone:

- Open the battery compartment of the intercom and set the **SUB** or **CH** switches.
- Use a pointed object to set the first three switches (labeled **SUB TONE**) inside the battery compartment you want to use.



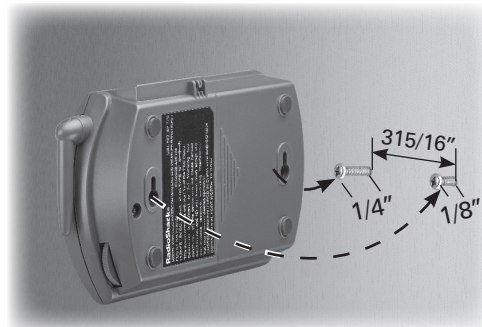
mounting the intercom

NOTES

- Be sure you install the intercoms at least 10 feet away from each other. Or, you may hear a squeal from the speakers.
- The intercoms can transmit up to 200 feet line of sight.

1. Align horizontally to position and drill two holes smaller than the screws.

2. Thread an anchor and screw (not supplied) into each hole.



3. Align the intercom's keyhole slots with the mounting screws and slide the intercom down onto it to secure.

4. Lift and rotate the antenna up so it stands vertically.

specifications

Channel Selectivity \pm 500KHz	50 dB
Squelch Threshold	20 dB SINAD
S/N at 1mV input, \pm 38KHz deviation (A-weight) (@ROP)	50 dB
10% THD Output Power	500 mW
RX Current Drain at Reference Output	140 mA
RF Power Output at 50 Ω	+3 dBm
MIC Input Sensitivity (@38 kHz Deviation)	3 mV
AUX Input Sensitivity (@38 kHz Deviation)	90 mV
Sub Tone Deviation	10 KHz
Call Tone Deviation	35 KHz
Alert Tone Deviation	35 KHz
TX Current Drain	65 mA
Battery Low Indication	4.2 V
Minimum Operation Voltage (Battery)	3.8 V
Operation Range (line of sight)	200 feet
Overall Frequency Response (-3 dB Bandwidth)	400 - 7kHz
Current Drain at Standby Mode	24 mA
Charging Time for 80%	14 hour
AUX VOX Sensitivity	25 mV
Mic VOX Sensitivity	2 mV
Weather Alarm Input Sensitivity (load current)	1mA

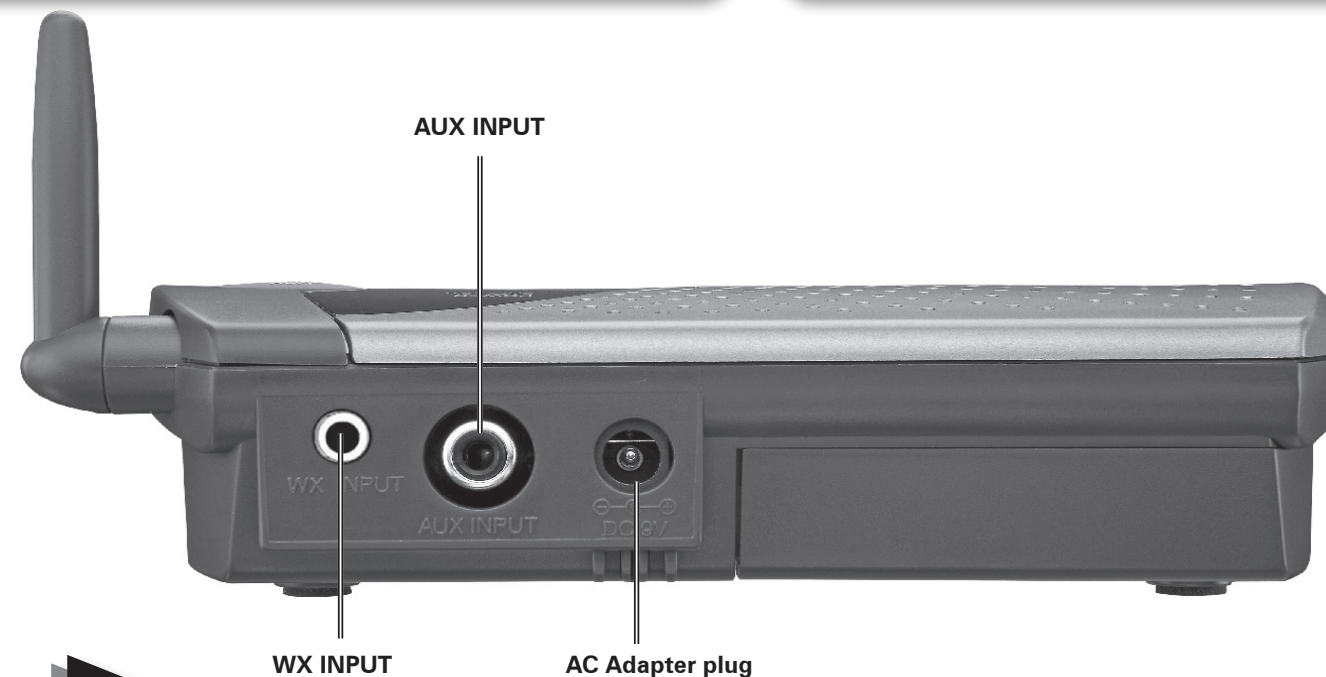
Specifications are subject to change and improvement without notice. Actual product may vary from the images found in this document.

connecting an audio source

To transmit audio to each intercom, connect **AUX INPUT** of a intercom to an audio source's output jack (such as **AUX OUT** or **TAPE OUT**) through an audio cable (not supplied). Follow the instructions in the owner's manual for your audio equipment to play audio.

- If you use the **AUX** broadcasting feature and also use the weather radio inputs, you **MUST** connect the Weather radio alarm's output to the unit that is using the **AUX** broadcasting feature. The weather radio inputs must not be connected to a unit that is **RECEIVING** the broadcast.
- Always connect the weather radio's alarm output to the intercom you frequently use to broadcast.
- If your audio sources cable does not have the appropriate connector to attach to the intercom, use an adapter available at your **RadioShack** store or at RadioShack.com.

NOTES



NOTES

The **AUX INPUT** for audio source is disabled when **VOX** mode is activated.

connecting a weather radio

To transmit weather alerts to each intercom, connect the **WX INPUT** of a intercom to your weather radio's **ALERT OUT** terminals. Follow the instructions in the owner's manual for your weather radio to create a weather alert.

- If you connect an intercom to both a weather radio and an audio source and both sources are playing at the same time, the intercom always sounds the weather alert first.
- The intercom's weather alarm will only shut off after the weather radio alerts expire or after you manually stop the weather radio alert. To avoid disturbing neighbors/pets if you are away from the weather radio, turn off the intercom or lower the volume before leaving.
- To stop the alert from a weather radio, it is recommended to manually reset the **ALERT OUT** terminal of the weather radio. For example on the **RadioShack** 12-262 weather radio, you must press the **WEATHER/SNOOZE** button twice during an alert to reset **ALERT OUT** (refer to the User's Guide for your specific weather radio model).
- The **RadioShack** Cat. No.12-262 weather radio (not supplied) has alert output terminals you can use to connect to the intercoms.

listening to an audio source

- Each intercom can broadcast from a connected audio source only when the channel to which it is set to is not being used to transmit voice from one intercom to another.
- You can only broadcast from one intercom at a time.
- Adjusting **VOLUME** on the intercoms does not change the intercom's input sensitivity.

RF Emissions Information

This equipment has been tested and found to comply with the limits for a Class B digital device, pursuant to Part 15 of the FCC Rules. These limits are designed to provide reasonable protection against harmful interference in a residential installation. This equipment generates, uses, and can radiate radio frequency energy and, if not installed and used in accordance with the instructions, may cause harmful interference to radio communications. However, there is no guarantee that interference will not occur in a particular installation. If this equipment does cause harmful interference to radio or television reception, which can be determined by turning the equipment off and on, the user is encouraged to try to correct the interference by one or more of the following measures:

- Reorient or relocate the receiving antenna.
- Increase the separation between the equipment and receiver.
- Connect the equipment into an outlet on a circuit different from that to which the receiver is connected.

Consult your local **RadioShack** store or an experienced radio/TV technician for help.

If you cannot eliminate the interference, the FCC requires that you stop using your intercom. Changes or modifications not expressly approved by **RadioShack** may cause interference and void the user's authority to operate the equipment.

Only use the antenna attached to this product. This device complies with Part 15 of the FCC Rules. Operation is subject to the following two conditions: (1) This device may not cause harmful interference, and (2) This device must accept any interference received, including interference that may cause undesired operation.

Limited 90-Day Warranty

This product is warranted by **RadioShack** against manufacturing defects in material and workmanship under normal use for ninety (90) days from the date of purchase from authorized **RadioShack** company-owned stores and authorized **RadioShack** franchisees and dealers. For complete warranty details and exclusions, check with your local **RadioShack** store.

RadioShack Customer Relations
300 RadioShack Circle Fort Worth, TX 76102
04/04

Free Manuals Download Website

<http://myh66.com>

<http://usermanuals.us>

<http://www.somanuals.com>

<http://www.4manuals.cc>

<http://www.manual-lib.com>

<http://www.404manual.com>

<http://www.luxmanual.com>

<http://aubethermostatmanual.com>

Golf course search by state

<http://golfingnear.com>

Email search by domain

<http://emailbydomain.com>

Auto manuals search

<http://auto.somanuals.com>

TV manuals search

<http://tv.somanuals.com>