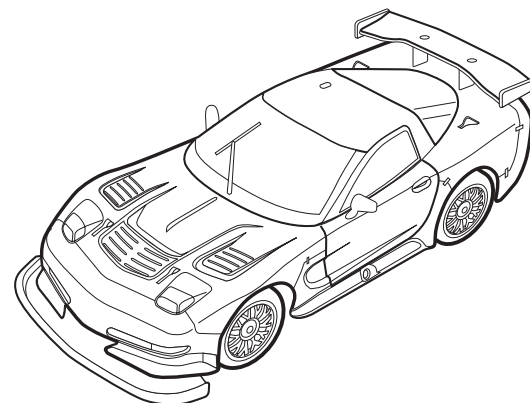


RadioShack
Corvette C5-R
 60-4360

Thank you for purchasing the RadioShack Corvette C5-R. It's spring suspension lets it handle the road in style. Built to 1/12 scale, it will dazzle your friends as it reaches speeds up to 1,000 feet per minute. Your vehicle is available in two frequencies (27 and 49 MHz) so you can race other radio-controlled vehicles.



Step One

Installing Batteries

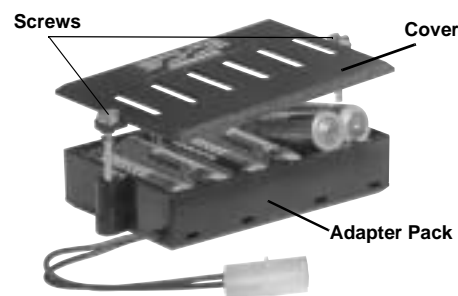
To power and operate your vehicle, you will need:

- Six AA alkaline or one 9.6V rechargeable battery pack (AA batteries, battery pack and charger not supplied, available at your local RadioShack store).
- One 9V battery (not supplied).

In the Adapter Pack

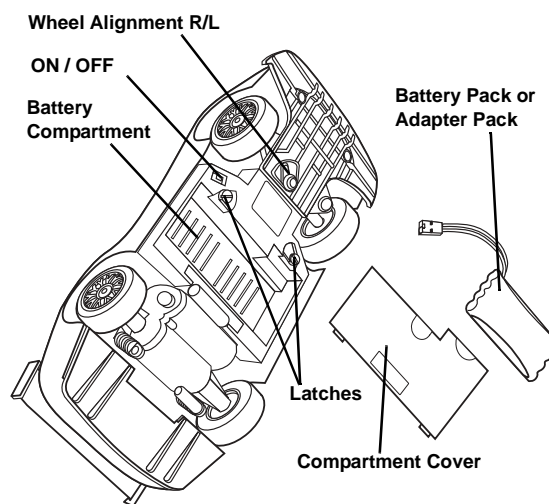
If you are using alkaline batteries to power your vehicle, you will first need to insert them into the supplied adapter pack.

1. Loosen the two screws, and then remove the adapter pack's cover.
2. Place the batteries in the adapter pack according to the polarity symbols (+ / -) marked inside.
3. Replace the cover, and secure the two screws.



In the Vehicle

1. Turn the vehicle off.
2. Remove the battery compartment's cover.
3. Place the rechargeable battery pack or adapter pack in the compartment. Situate the pack's wires in the slot on the side of the compartment, so the wiring does not rest on the battery pack.
4. Attach the pack's white plastic connector to the vehicle's matching connector. Do not force the connection. It fits only one way.
5. Replace the cover and secure the latches.

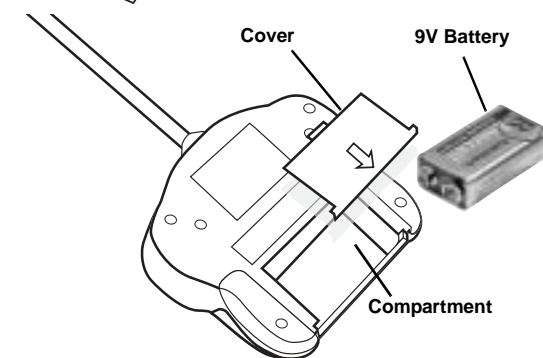


Before you can use the rechargeable battery pack, it will need to be charged.

Recharge the battery pack or replace the AA batteries if the vehicle does not run, runs slowly, or does not respond to the transmitter.

In the Transmitter

1. Turn the transmitter off.
2. Remove the battery compartment's cover.
3. Insert the 9V battery according to the polarity symbols (+ / -) marked inside.
4. Replace the cover and snap it shut.

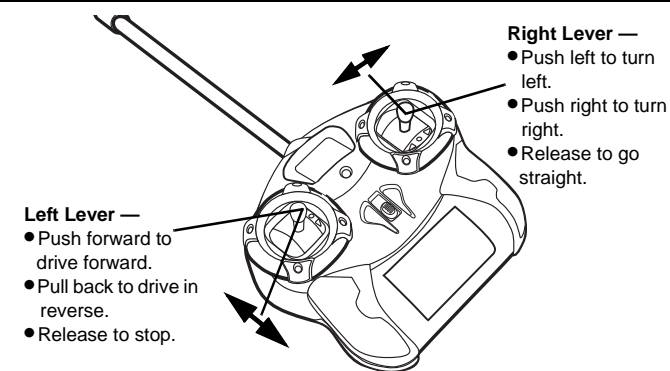


Replace the battery when the transmitter's range decreases.

Step Two

Driving the Corvette

1. Turn the vehicle and transmitter on. The transmitter's LED lights
2. Use the transmitter's levers to control the vehicle.
3. When you finish driving the Corvette, turn the vehicle and transmitter off.



Step Three

Wheel Alignment

If the vehicle does not drive in a straight line when you release the right lever, adjust the wheel alignment control on the bottom of the car. Turn the control toward L if the car is pulling to the right, or toward R if the car is pulling to the left.

Battery Notes

- Using alkaline batteries slightly decreases the vehicle's speed.
- Dispose of old batteries promptly and properly.
- Do not burn or bury batteries.
- Use only fresh batteries of the required size and recommended type.
- Do not mix old and new batteries, different types of batteries (standard, alkaline, or rechargeable), or rechargeable batteries of different capacities.
- If you do not plan to use the vehicle for several weeks, remove the batteries. Batteries can leak chemicals that can damage electronic parts.
- Do not charge or recharge the battery pack while it is in the vehicle.

Helpful Hints

- If your vehicle gets stuck under an object, immediately release the transmitter levers and retrieve the car.
- Running your vehicle continuously for long periods of time generates high heat levels. Heat causes wear and tear on the motor. To help keep heat levels down, when your vehicle's battery pack runs down, let the vehicle cool at least 10 minutes before installing a new or newly charged battery pack.
- If someone uses a CB radio nearby, it might interfere with control of the vehicle. If this happens, move the car away from the area where the CB is being operated.
- You cannot operate your vehicle near devices with transmitters that use the same frequency as your's (27 MHz or 49 MHz). Check this product's box to see which frequency your vehicle uses.
- If the vehicle moves slowly, and you just installed a fresh battery pack, check the wheel mechanisms for lint, threads, hair, or dust.

Important

The EPA certified RBRC® Battery Recycling Seal on the nickel-cadmium (Ni-Cd) battery indicates RadioShack is voluntarily participating in an industry program to collect and recycle these batteries at the end of their useful life, when taken out of service in the United States or Canada. The RBRC program provides a convenient alternative to placing used Ni-Cd batteries into the trash or the municipal waste stream, which may be illegal in your area. Please call 1-800-THE-SHACK (1-800-843-7422) for information on Ni-Cd battery recycling and disposal bans/restrictions in your area. RadioShack's involvement in this program is part of the company's commitment to preserving our environment and conserving our natural resources.



⚠ WARNINGS ⚠

- If you use alkaline batteries to power the vehicle, they will get very hot. To avoid getting burned, wait a few minutes before attempting to remove the batteries.
- Do not charge alkaline batteries. They will overheat, and explode.

What's Included

- Corvette C5-R 1/12 scale model (RX)
- Transmitter (TX)
- AA battery adapter pack
- User's Guide

The FCC Wants You to Know

This equipment has been tested and found to comply with the limits for a Class B digital device, pursuant to Part 15 of the *FCC Rules*.

These limits are designed to provide reasonable protection against harmful interference in a residential installation.

This equipment generates, uses and can radiate radio frequency energy and, if not installed and used in accordance with the instructions, may cause harmful interference to radio communications.

However, there is no guarantee that interference will not occur in a particular installation. If this equipment does cause harmful interference to radio or television reception, which can be determined by turning the equipment off and on, the user is encouraged to try to correct the interference by one or more of the following measures:

- Reorient or relocate the receiving antenna.
- Increase the separation between the equipment and receiver.
- Connect the equipment into an outlet on a circuit different from that to which the receiver is connected.
- Consult your local RadioShack store or an experienced radio/TV technician for help.

If you cannot eliminate the interference, the FCC requires that you stop using your radio-controlled vehicle.

Changes or modifications not expressly approved by RadioShack may cause interference and void the user's authority to operate the equipment.

Care

Keep this radio-controlled vehicle dry; if it gets wet, wipe it dry immediately.

Use and store the vehicle only in normal temperature environments.

Handle the vehicle and transmitter carefully; do not drop them.

Keep the vehicle and transmitter away from dust and dirt, and wipe them with a damp cloth occasionally to keep them looking new.

Service

If your radio-controlled vehicle is not performing as it should, take it to your local RadioShack store for assistance.

To locate your nearest RadioShack, use the store locator feature on RadioShack's website (www.radioshack.com), or call 1-800-The Shack (843-7422) and follow the menu options.

Modifying or tampering with the vehicle's or transmitter's internal components can cause a malfunction and might invalidate its warranty and void your FCC authorization to operate it.

Limited 90 Day Warranty

This product is warranted by RadioShack against manufacturing defects in material and workmanship under normal use for ninety (90) days from the date of purchase from RadioShack company-owned stores and authorized RadioShack franchisees and dealers. EXCEPT AS PROVIDED HEREIN, RadioShack MAKES NO EXPRESS WARRANTIES AND ANY IMPLIED WARRANTIES, INCLUDING THOSE OF MERCHANTABILITY AND FITNESS FOR A PARTICULAR PURPOSE, ARE LIMITED IN DURATION TO THE DURATION OF THE WRITTEN LIMITED WARRANTIES CONTAINED HEREIN. EXCEPT AS PROVIDED HEREIN, RadioShack SHALL HAVE NO LIABILITY OR RESPONSIBILITY TO CUSTOMER OR ANY OTHER PERSON OR ENTITY WITH RESPECT TO ANY LIABILITY, LOSS OR DAMAGE CAUSED DIRECTLY OR INDIRECTLY BY USE OR PERFORMANCE OF THE PRODUCT OR ARISING OUT OF ANY BREACH OF THIS WARRANTY, INCLUDING, BUT NOT LIMITED TO, ANY DAMAGES RESULTING FROM INCONVENIENCE, LOSS OF TIME, DATA, PROPERTY, REVENUE, OR PROFIT OR ANY INDIRECT, SPECIAL, INCIDENTAL, OR CONSEQUENTIAL DAMAGES, EVEN IF RadioShack HAS BEEN ADVISED OF THE POSSIBILITY OF SUCH DAMAGES.

Some states do not allow limitations on how long an implied warranty lasts or the exclusion or limitation of incidental or consequential damages, so the above limitations or exclusions may not apply to you. In the event of a product defect during the warranty period, take the product and the RadioShack sales receipt as proof of purchase date to any RadioShack store. RadioShack will, at its option, unless otherwise provided by law: (a) correct the defect by product repair without charge for parts and labor; (b) replace the product with one of the same or similar design; or (c) refund the purchase price. All replaced parts and products, and products on which a refund is made, become the property of RadioShack. New or reconditioned parts and products may be used in the performance of warranty service. Repaired or replaced parts and products are warranted for the remainder of the original warranty period. You will be charged for repair or replacement of the product made after the expiration of the warranty period.

This warranty does not cover: (a) damage or failure caused by or attributable to acts of God, abuse, accident, misuse, improper or abnormal usage, failure to follow instructions, improper installation or maintenance, alteration, lightning or other incidence of excess voltage or current; (b) any repairs other than those provided by a RadioShack Authorized Service Facility; (c) consumables such as fuses or batteries; (d) cosmetic damage; (e) transportation, shipping or insurance costs; or (f) costs of product removal, installation, set-up service adjustment or reinstallation.

This warranty gives you specific legal rights, and you may also have other rights which vary from state to state.
RadioShack Customer Relations, 200 Taylor Street, 6th Floor, Fort Worth, TX 76102

12/99

FCC Declaration of Conformity

This device complies with Part 15 of the *FCC Rules*. Operation is subject to the following two conditions: (1) this device may not cause harmful interference, and (2) this device must accept any interference received, including interference that may cause undesired operation.

Product:	Corvette C5-R
Model:	60-4360
Responsible Party:	RadioShack 100 Throckmorton Fort Worth, TX 76102
Phone:	817-415-3200



Optional Accessories

9V batteries are needed to power the transmitter.



AA Batteries can be used to power the vehicle.



Your Corvette will run cooler, faster and longer when you use a 9.6V NI-MH rechargeable battery pack to power the vehicle.



Your Corvette will run cooler, faster and longer when you use a 9.6V Ni-CD rechargeable battery pack (shown with charger as a combo).



This universal charger can charge both Ni-CD and NI-MH battery packs, and handle various battery capacities



These and other fine products are available at your local RadioShack store.

©2003, RadioShack Corporation.
All Rights Reserved.
RadioShack and RadioShack.com are trademarks
used by RadioShack Corporation.

60-4360
Printed in China
05A03

Free Manuals Download Website

<http://myh66.com>

<http://usermanuals.us>

<http://www.somanuals.com>

<http://www.4manuals.cc>

<http://www.manual-lib.com>

<http://www.404manual.com>

<http://www.luxmanual.com>

<http://aubethermostatmanual.com>

Golf course search by state

<http://golfingnear.com>

Email search by domain

<http://emailbydomain.com>

Auto manuals search

<http://auto.somanuals.com>

TV manuals search

<http://tv.somanuals.com>