

# XMODS™ Custom RC

## Metal Bearing Upgrade 60-8512

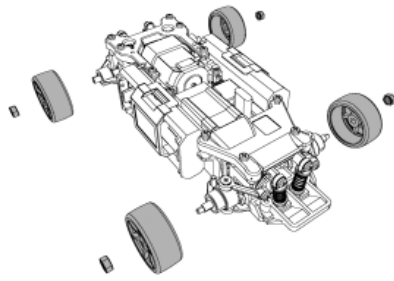
Upgrade from standard plastic bushings to metal ball bearings for reduced friction, greater precision, and better handling. Before installing, turn off your vehicle and controller and then detach the car body.

**Tip:** For best performance and fit, before installing bearings, lightly brush each shaft with fine sandpaper to remove burrs and blemishes.

### Preparing for Your Metal Bearing Upgrade

#### 1

Use the lug wrench supplied in your XMODS™ Starter Kit to detach the front **lug nuts** and **wheels**.



#### 2








Loosen and remove each damper screw and detach the **right** and **left front and rear dampers**.



#### Tips

- Carefully count and set aside screws while disassembling so you can properly reassemble your car later.
- Bearings can be fitted in place in either direction.
- Be careful that the lead solder joints inside the car do not become detached.
- You may find it useful to remove the antenna from the chassis.

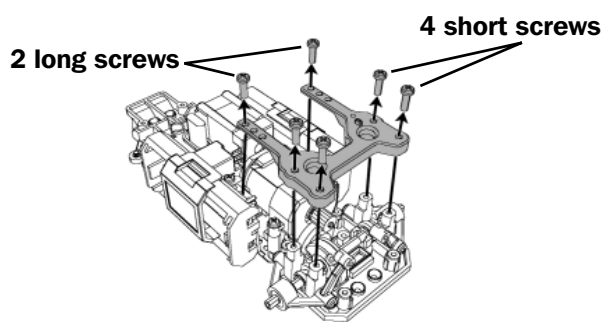
### Screw Guide (Rear of Car)

Screw							
Location	Rear Upper Deck (short)	Rear Upper Deck (long)	Motor Holders	Rear Lower Deck	Rear Support Arms	Rear Lower Deck	Rear Center Shaft Holder
Quantity	4	2	4	2	4	4	2

### Upgrading the Rear Section to Metal Bearings

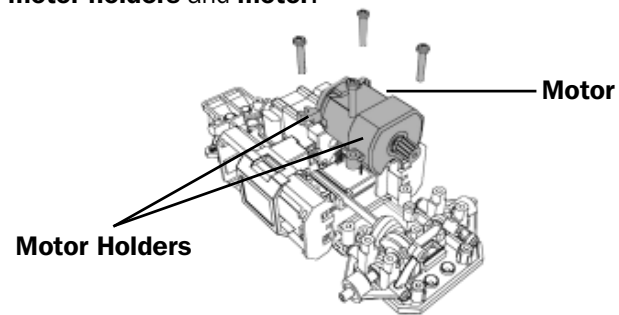
#### 1

Remove six screws (2 long, 4 short) from the **rear upper deck** to detach it.



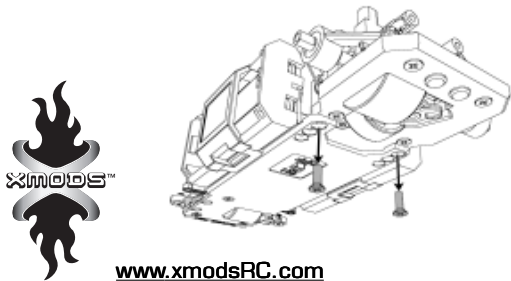
#### 2

Disconnect the **motor connector**. Remove two screws from each **motor holder** and remove the **motor holders** and **motor**.



#### 3

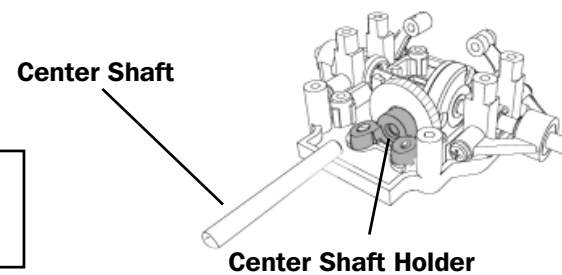
Remove two screws from the **rear lower deck**.



[www.xmodsRC.com](http://www.xmodsRC.com)

#### 4

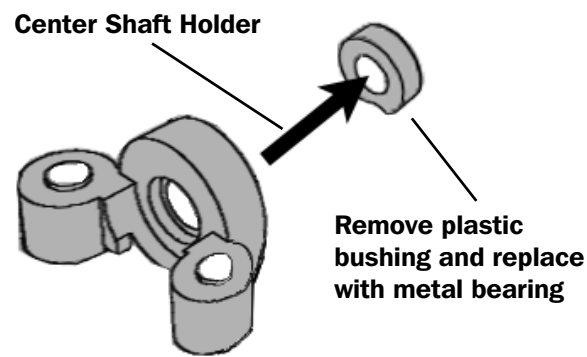
Remove the **rear lower deck** from the chassis.



**Tip:** When reassembling, align the center shaft's D-cut with the D-cut in the gear.

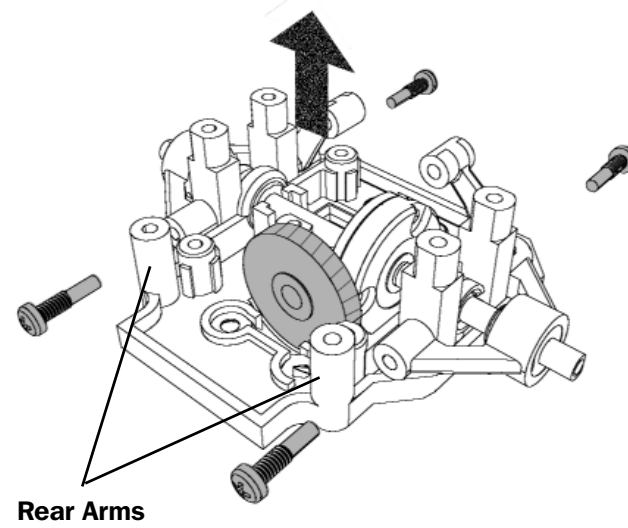
### 5

Remove the two screws beneath the chassis that secure the center shaft holder in place. Use a narrow, flat bladed screwdriver to remove the **plastic bushing** from the center shaft holder and replace it with a **metal ball bearing**.



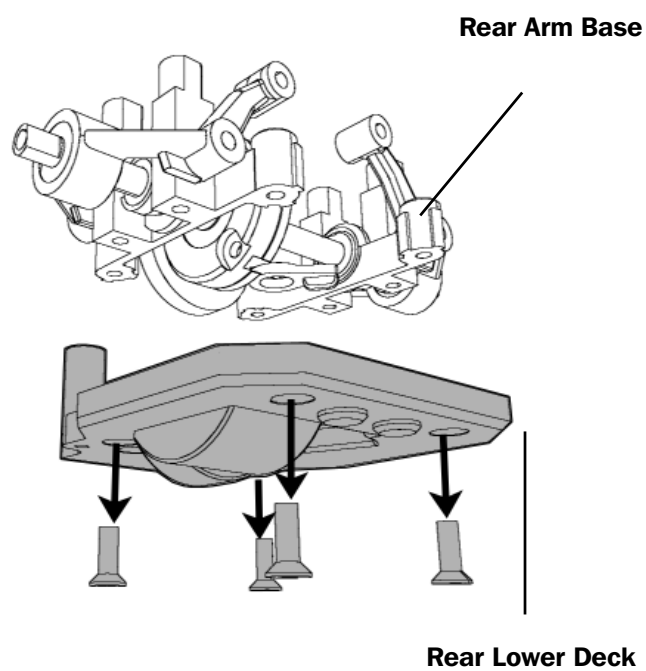
### 6

Remove the four screws from the **rear arms** to release the **rear support arms**.



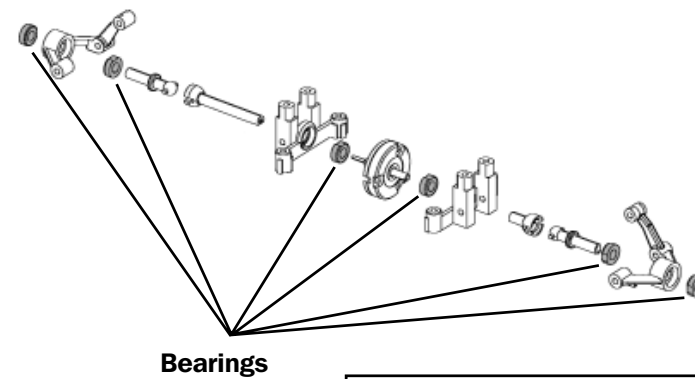
### 7

Remove the four screws from the **rear lower deck** to release the **rear arm base** and detach the **rear arms**.



### 8

Disassemble the axle to access the six **plastic bushings**. Replace each **plastic bushing** with a **metal ball bearing**.








**Tip:** When reassembling, align the axles with the D-cut in the differential gear.

### 9

This completes the installation of the rear bearings. Reassemble the rear section of the car by following Steps 1-8 in reverse order.

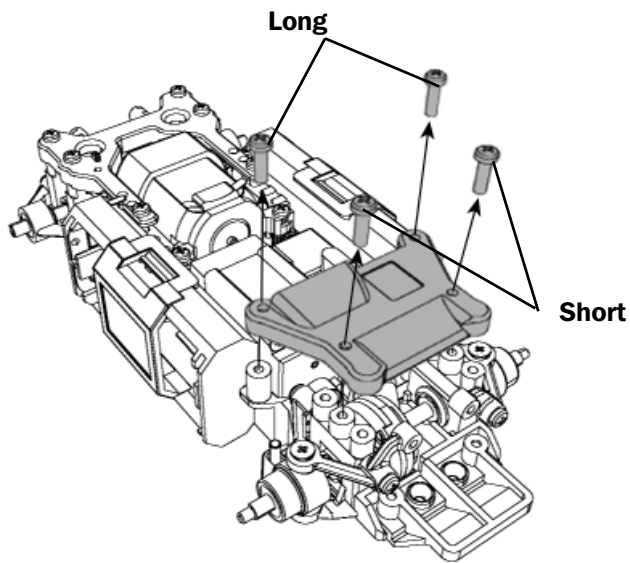


Screw Guide (Front of Car)					
<b>Screw</b>					
<b>Location</b>	Front and Rear Dampers	Front Upper Deck (long)	Front Upper Deck (short)	Left and Right Front Knuckles	Front Arm Base
<b>Quantity</b>	4	2	2	4	4

### Upgrading the Front Section to Metal Bearings

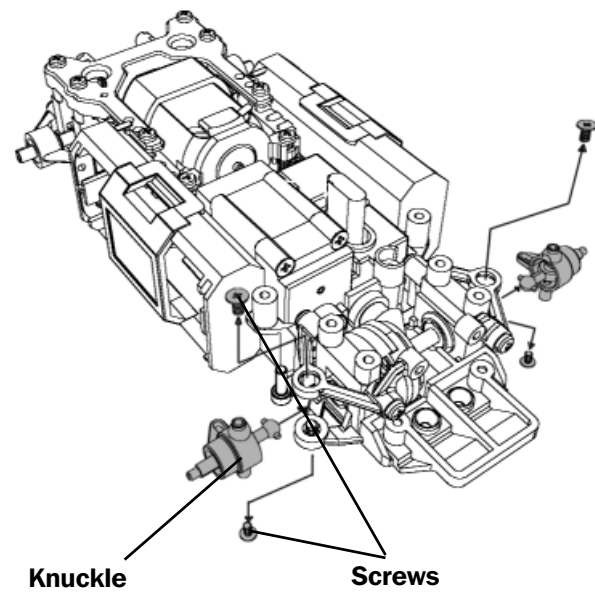
#### 1

Remove the four screws from the **front upper deck** to detach it.



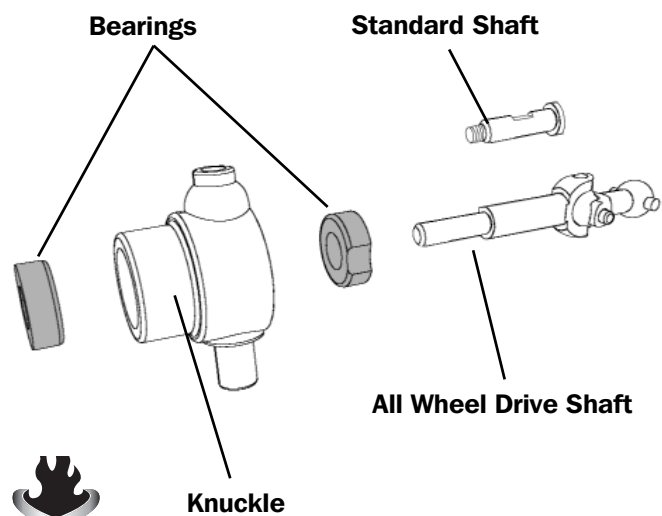
#### 2

Remove the top and bottom screws from the **left and right knuckles** to detach the knuckles.



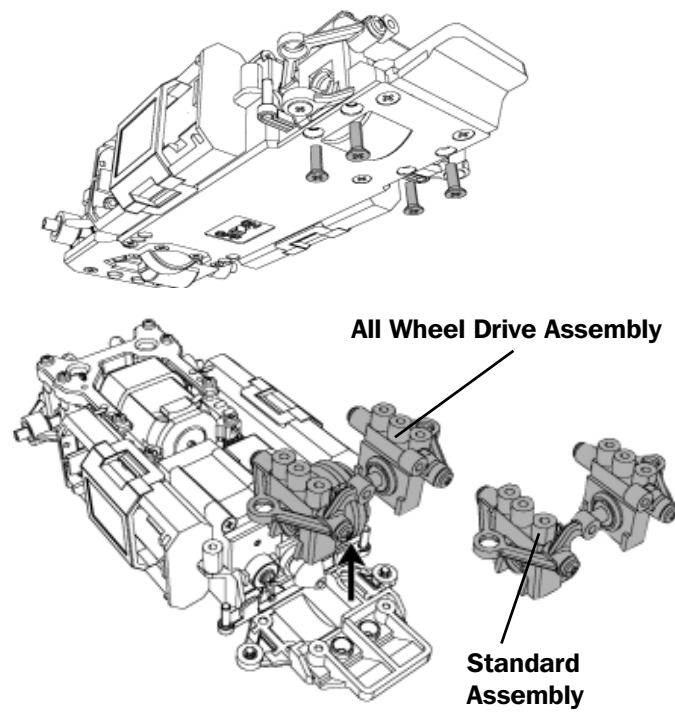
#### 3

Detach the knuckles and slide out the front axle shaft so you can remove the two **plastic bushings** from each **knuckle** and replace them with two **metal ball bearings**.



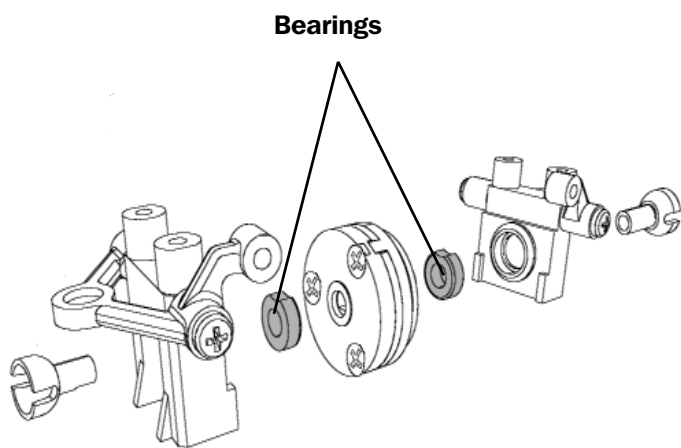
#### 4

Remove the four screws to detach the **front arm base** and the **standard** or **all wheel drive assembly**.

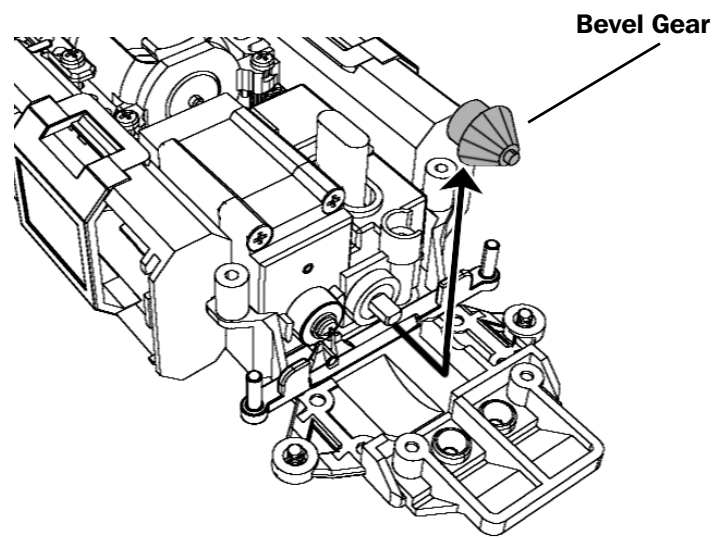


**Steps 5 and 6 apply only to cars with an all wheel drive assembly.  
If you do not have an all wheel drive assembly, proceed to Step 7.**

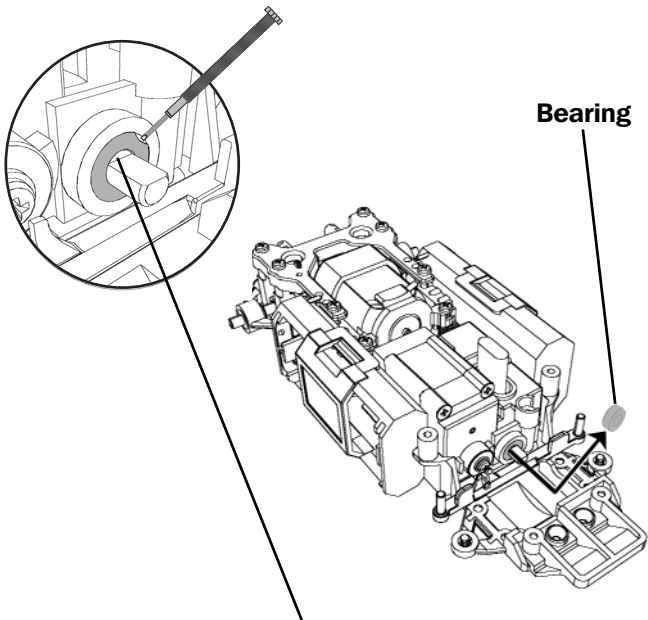
**5**  
Remove the two **plastic bushings** and replace them with two **metal ball bearings**.



**6**  
Remove the **bevel gear** by pulling forward and lifting up. Hold the center shaft in place as you remove the gear to hold it in place.



**7**  
Use a narrow, flat bladed screwdriver to gently remove the **plastic bushing** and replace it with a **metal ball bearing**.



**Tip:** When reassembling, align the center shaft's D-cut with the D-cut in the gear.



## Free Manuals Download Website

<http://myh66.com>

<http://usermanuals.us>

<http://www.somanuals.com>

<http://www.4manuals.cc>

<http://www.manual-lib.com>

<http://www.404manual.com>

<http://www.luxmanual.com>

<http://aubethermostatmanual.com>

Golf course search by state

<http://golfingnear.com>

Email search by domain

<http://emailbydomain.com>

Auto manuals search

<http://auto.somanuals.com>

TV manuals search

<http://tv.somanuals.com>