

Start Here

Quick Start 40-293

See the User's Guide for complete instructions.

AUVIO™

THE PERFORMANCE YOU NEED

80W 2-Way In Ceiling Speaker

Package contents



Speaker



Template/paint mask



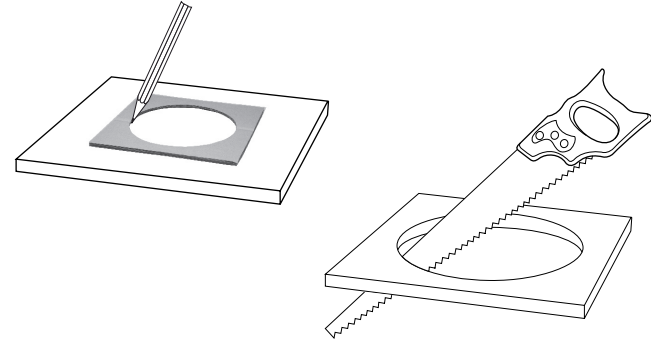
User's Guide



Quick Start

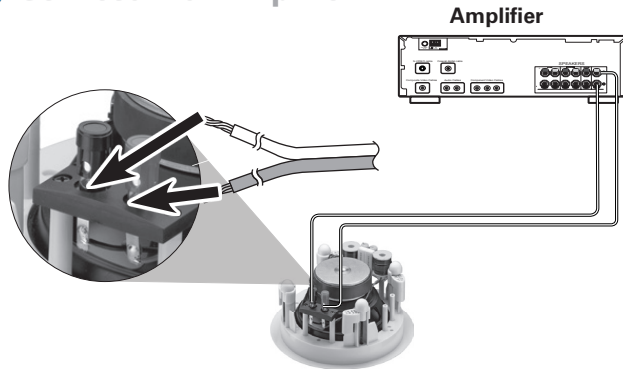
1

Prepare your Mounting Location



2

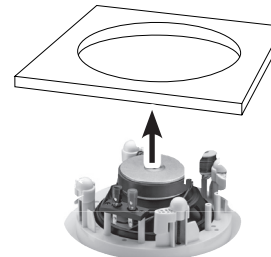
Connect with Amplifier



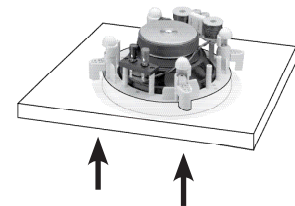
3

Install the Speaker

1. Push into hole



2. Use screws to tighten



Free Manuals Download Website

<http://myh66.com>

<http://usermanuals.us>

<http://www.somanuals.com>

<http://www.4manuals.cc>

<http://www.manual-lib.com>

<http://www.404manual.com>

<http://www.luxmanual.com>

<http://aubethermostatmanual.com>

Golf course search by state

<http://golfingnear.com>

Email search by domain

<http://emailbydomain.com>

Auto manuals search

<http://auto.somanuals.com>

TV manuals search

<http://tv.somanuals.com>