

# A/V Selector with Composite S-Video Conversion

15-1977

OWNER'S MANUAL — Please read before using this equipment.

## CONTENTS

Preparation .....	1
Placing The Selector .....	1
Connecting Devices .....	1
Operation .....	3
Manually Operating the Selector .....	3
Using the Learning Function .....	3
Using the Remote Control to Operate the Selector .....	3
Troubleshooting .....	3
Care .....	3
Service and Repair .....	4
Specifications .....	4

### ! IMPORTANT !

If an icon appears at the end of a paragraph, go to the box on that page with the corresponding icon for pertinent information.

⚠ — Warning

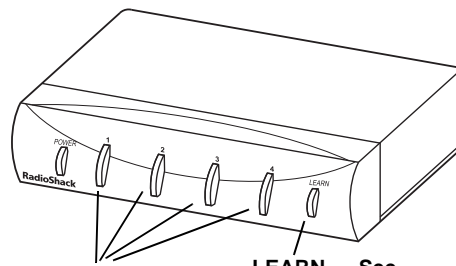
! — Important

⚡ — Caution

💡 — Hint

📄 — Note

Your RadioShack A/V Selector with Composite/S-Video Conversion is a time-saving switch box for your home audio/video system. The selector lets you connect four audio/video devices directly to your TV and VCR. Once connected, each device can be accessed with the touch of a button or remote control. This helps to avoid the need to plug and unplug each device when changing audio/video sources (for example, switching from a DVD player to a camcorder or video game system).



**Input Select Buttons 1-4 — Makes source selection easy.** **LEARN — See “Using the Learning Function” on Page 3.**

**Two Audio/Video Outputs** — let you connect up to four sources to two different TVs or stereo VCRs.

**Built-in Composite/S-Video Composite Circuit** — lets you convert composite video (RCA) to S-Video, or S-Video to composite video.

**Built-in Auto-Learning Function** — lets you operate the selector with most remote controls.

**Standard Color-Coded Phono Connectors** — make connections simple.

**Easy Push-Button Selection** — lets you quickly set the input source for each TV or VCR.

**Permanent Memory of Learned Codes** — retains learned codes, even if the AC power fails.

**S-Video Jack** — transmits the best picture for your video.

**WARNING:**  
To reduce the risk of fire or shock hazard, do not expose this product to rain or moisture.

 <b>CAUTION</b> RISK OF ELECTRIC SHOCK DO NOT OPEN	 The lightning symbol is intended to alert you to the presence of uninsulated dangerous voltage within this product's enclosure that might be of sufficient magnitude to constitute a risk of electric shock. Do not open the product's case.
<b>CAUTION: TO REDUCE THE RISK OF ELECTRIC SHOCK, DO NOT REMOVE COVER OR BACK. NO USER-SERVICEABLE PARTS INSIDE. REFER SERVICING TO QUALIFIED PERSONNEL.</b>	 The exclamation mark symbol is intended to inform you that important operating and maintenance instructions are included in the literature accompanying this product.

## PREPARATION

### PLACING THE SELECTOR

You can place the selector on almost any flat surface. For the best results, do not place it on top of a TV or other electrical appliance.!

### CONNECTING DEVICES

Use stereo audio/video cables with phono plugs (available at your local RadioShack store and online at RadioShack.com) to make all connections. For the best performance, use high-quality audio/video cables. Do not use audio cables for video. The selector's color-coded jacks make it easy to connect devices to the selector. Yellow jacks are for video, red jacks are for right audio, and white jacks are for left audio.

1. Connect the sound outputs for each device to a set of **INPUT R/L (1-4)** jacks on the back of the selector.
2. *If a device does not have an S-Video cable*, connect its video output to the selector's **INPUT V (1-4)** jack for that device.

*If the device has an S-Video cable*, connect it to the **INPUT S-VIDEO (1-4)** jack for that device.

Do not connect the device's video output to both **INPUT V (1-4)** and **INPUT S-VIDEO (1-4)** jacks.

3. *If your TV or monitor does not have an S-Video cable*, connect its video input to the selector's **OUTPUT V (1 or 2)** jack.

*If the TV or monitor has an S-Video cable*, connect it to the **OUTPUT S-VIDEO (1 or 2)** jack.

Do not connect the TV or monitor's video input to both **OUTPUT V (1-2)** and **OUTPUT S-VIDEO (1-2)** jacks.

4. Connect the TV or monitor inputs to the **OUTPUT R/L (1-2)** jacks.
5. Connect the supplied AC adapter's barrel plug to **DC 9V**, then connect the adapter's AC plug to a standard AC outlet. ⚡

### ! IMPORTANT !

If you place the selector on the top of your TV, electromagnetic interference from the TV might distort the sound from any devices connected to the selector. If this happens, move the selector away from the TV.

### ⚡ CAUTION ⚡

⚠ You must use a Class 2 power source that supplies 9V DC and delivers 500 mA. Its center tip must be set to negative and its plug must fit the selector's **DC 9V** jack. The supplied adapter meets these specifications. Using an adapter that does not meet these specifications could damage the selector or the adapter.

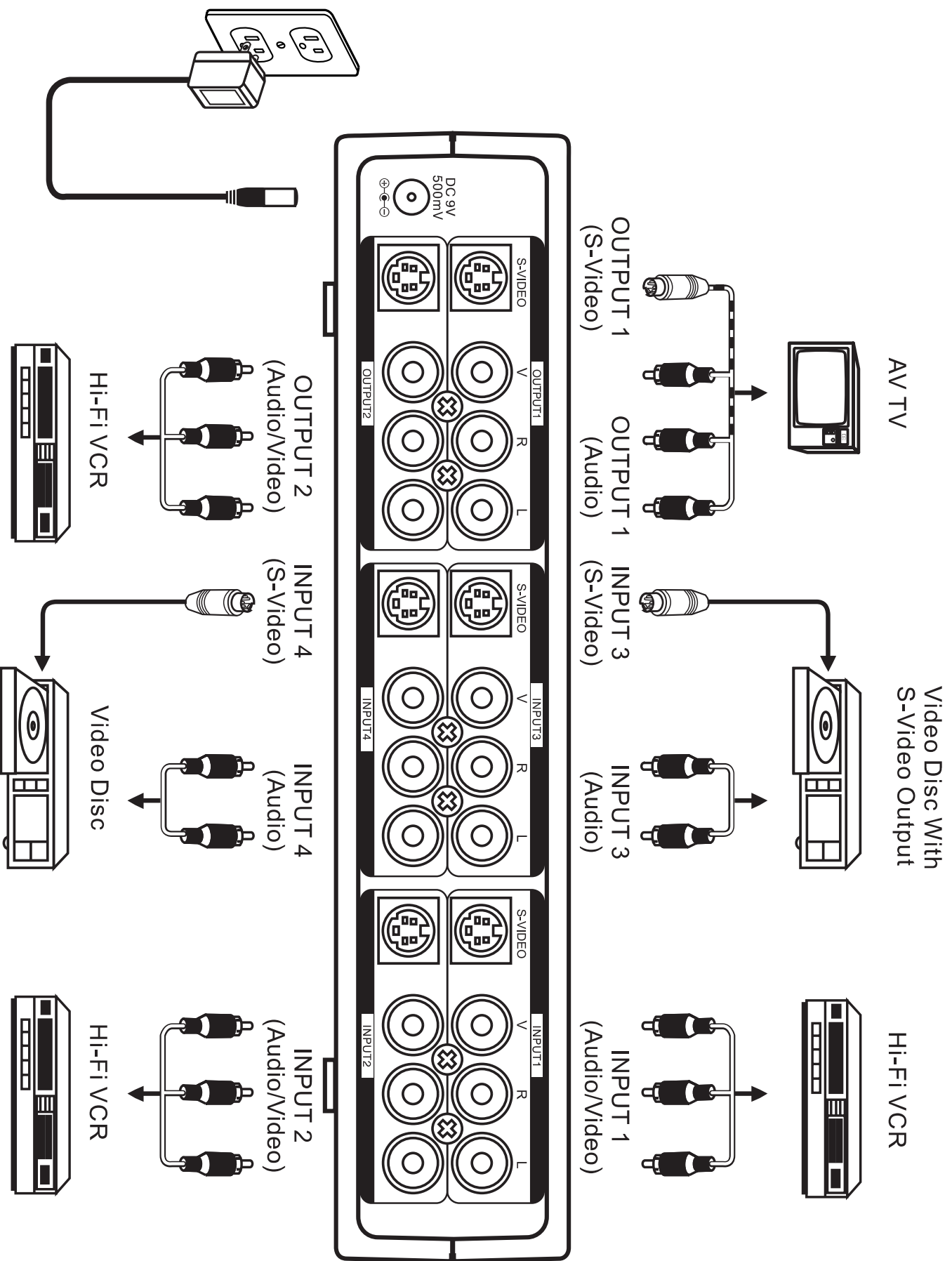
- Always connect the AC adapter to the selector before you connect it to AC power.
- When you finish, disconnect the adapter from AC power before you disconnect it from the selector.



**RadioShack®**

www.radioshack.com™

© 2002 RadioShack Corporation.  
All Rights Reserved.  
RadioShack and RadioShack.com are trademarks  
used by RadioShack Corporation.



# OPERATION

## MANUALLY OPERATING THE SELECTOR

1. Turn on the device you want to view.
2. Press **POWER** on the selector.
3. To view material from the device connected to the **INPUT 1** jack, press 1. For **INPUT 2**, press 2, for **INPUT 3**, press 3, and for **INPUT 4**, press 4.
4. Turn on the desired input device, and operate the device as you usually do.💡

## USING THE LEARNING FUNCTION

The selector is designed to learn signals from a universal remote, or up to four different audio/video devices' remote controls. It can connect a range of devices, including a DVD, laser disc, another VCR, camcorder, or video game player. The selector uses the latest integrated circuit recording technology, so the learned information is protected if AC power fails.

1. Press **POWER**. The POWER indicator lights.
2. Hold down **LEARN** for about four seconds then release. The LEARN indicator flashes.👉
3. Press the button (1, 2, 3, or 4) on the selector's front panel to learn the corresponding device's signal. The indicator lights.
4. Point the device's remote control at the selector then press the control's power key to turn on the device.

## TROUBLESHOOTING

We do not expect you to have any problems with your selector, but if you do, these suggestions might help.

*The selector does not work or works poorly.*

- Be sure the AC adapter is properly and securely connected.
- Be sure **POWER** is turned on. If the power is turned on but the selector still does not work, return it to the store for repair.

## CARE

Keep the selector dry; if it gets wet, wipe it dry immediately. Use and store the selector only in normal temperature environments. Handle the selector carefully; do not drop it. Keep the selector away from dust and dirt, and wipe it with a damp cloth occasionally to keep it looking new.

*If you are using a universal remote, press the remote's key for the desired device, then press the remote's power key.*

The selector learns the device's signal, then the button indicator turns off.

5. Repeat steps 3 and 4 to learn additional remote control signals.
6. Press **LEARN** again. The LEARN indicator turns off.

## USING THE REMOTE CONTROL TO OPERATE THE SELECTOR

1. Turn on the desired output devices (TV, VCR, etc.).
2. Press **POWER** on the selector.
3. To view material from the device connected to the **INPUT 1** jack, point that device's remote control at the selector, then press the power key on the remote control to turn on the device.

*If you are using a universal remote, press the remote's key for the desired device, then press the remote's power key.*

4. Repeat step 3 to turn on other devices connected to the **INPUT 2**, **INPUT 3**, or **INPUT 4**.
5. Operate the devices as you usually do.

*While learning commands from a standard or universal remote control, the selector does not respond or its indicator lights.*

- Be sure the learning process is correct.
- Try remote control's other keys.
- Try another remote control.
- Try using a number key on the remote control (for example, 0) instead of the power key.



### HINT

Place a small white adhesive label (not supplied) below the buttons on the front of the selector to note which devices are connected to which set of jacks (**INPUT 1**, **INPUT 2**, **INPUT 3**, **INPUT 4**).



### NOTES

- If you do not complete each step within 10 seconds, the selector returns to the normal function and you must start again at Step 1.
- Be sure the selector's learning setup does not affect the setup of other existing equipment.

# SERVICE AND REPAIR

If your selector is not performing as it should, take it to your local RadioShack store for assistance. Modifying or tampering with the selector's internal devices can cause a malfunction and might invalidate its warranty.

# SPECIFICATIONS

Power Source .....	DC 9V, 500mA
Power Consumption .....	8W
Remote Control Average Range .....	20 ft (6.1 m)
Dimension (HWD).....	2 1/16 × 8 31/32 × 5 31/32 Inches (52 × 228 × 152 mm)
Weight .....	35.1 oz (995 g)

Specifications are typical; individual units may vary. Specifications are subject to change and improvement without notice.

## Limited Ninety-Day Warranty

This product is warranted by RadioShack against manufacturing defects in material and workmanship under normal use for ninety (90) days from the date of purchase from RadioShack company-owned stores and authorized RadioShack franchisees and dealers. EXCEPT AS PROVIDED HEREIN, RadioShack MAKES NO EXPRESS WARRANTIES AND ANY IMPLIED WARRANTIES, INCLUDING THOSE OF MERCHANTABILITY AND FITNESS FOR A PARTICULAR PURPOSE, ARE LIMITED IN DURATION TO THE DURATION OF THE WRITTEN LIMITED WARRANTIES CONTAINED HEREIN. EXCEPT AS PROVIDED HEREIN, RadioShack SHALL HAVE NO LIABILITY OR RESPONSIBILITY TO CUSTOMER OR ANY OTHER PERSON OR ENTITY WITH RESPECT TO ANY LIABILITY, LOSS OR DAMAGE CAUSED DIRECTLY OR INDIRECTLY BY USE OR PERFORMANCE OF THE PRODUCT OR ARISING OUT OF ANY BREACH OF THIS WARRANTY, INCLUDING, BUT NOT LIMITED TO, ANY DAMAGES RESULTING FROM INCONVENIENCE, LOSS OF TIME, DATA, PROPERTY, REVENUE, OR PROFIT OR ANY INDIRECT, SPECIAL, INCIDENTAL, OR CONSEQUENTIAL DAMAGES, EVEN IF RadioShack HAS BEEN ADVISED OF THE POSSIBILITY OF SUCH DAMAGES.

Some states do not allow limitations on how long an implied warranty lasts or the exclusion or limitation of incidental or consequential damages, so the above limitations or exclusions may not apply to you.

In the event of a product defect during the warranty period, take the product and the RadioShack sales receipt as proof of purchase date to any RadioShack store. RadioShack will, at its option, unless otherwise provided by law: (a) correct the defect by product repair without charge for parts and labor; (b) replace the product with one of the same or similar design; or (c) refund the purchase price. All replaced parts and products, and products on which a refund is made, become the property of RadioShack. New or reconditioned parts and products may be used in the performance of warranty service. Repaired or replaced parts and products are warranted for the remainder of the original warranty period. You will be charged for repair or replacement of the product made after the expiration of the warranty period.

This warranty does not cover: (a) damage or failure caused by or attributable to acts of God, abuse, accident, misuse, improper or abnormal usage, failure to follow instructions, improper installation or maintenance, alteration, lightning or other incidence of excess voltage or current; (b) any repairs other than those provided by a RadioShack Authorized Service Facility; (c) consumables such as fuses or batteries; (d) cosmetic damage; (e) transportation, shipping or insurance costs; or (f) costs of product removal, installation, set-up service adjustment or reinstallation.

This warranty gives you specific legal rights, and you may also have other rights which vary from state to state.

RadioShack Customer Relations, 200 Taylor Street,  
6th Floor, Fort Worth, TX 76102

12/99

## Free Manuals Download Website

<http://myh66.com>

<http://usermanuals.us>

<http://www.somanuals.com>

<http://www.4manuals.cc>

<http://www.manual-lib.com>

<http://www.404manual.com>

<http://www.luxmanual.com>

<http://aubethermostatmanual.com>

Golf course search by state

<http://golfingnear.com>

Email search by domain

<http://emailbydomain.com>

Auto manuals search

<http://auto.somanuals.com>

TV manuals search

<http://tv.somanuals.com>