



Guide Remote[™]

Cat No. 15-2130

Owner's Manual

Please read before using this equipment

Table of Contents

Table of Contents

| | |
|--|----|
| Table of Contents..... | 1 |
| Introduction..... | 3 |
| Features..... | 3 |
| Key Layout..... | 4 |
| Basic Key Functions..... | 5 |
| Mode Key Functions..... | 6 |
| Install Batteries..... | 7 |
| Battery Saver..... | 7 |
| Adjust Contrast..... | 7 |
| Remote Setup..... | 8 |
| Program Setup Codes..... | 8 |
| Manual Code Search..... | 9 |
| Auto Code Search..... | 9 |
| View Device Codes..... | 10 |
| Viewing Codes..... | 10 |
| Reassigning Device Keys..... | 10 |
| Programming Macros..... | 11 |
| Recording Macro..... | 11 |
| Playing Macro..... | 11 |
| Punch-Through..... | 11 |
| Volume Lock..... | 12 |
| Turn Off Volume Lock..... | 12 |
| Volume Unlock – CBL/SAT..... | 12 |
| Volume Unlock – VCR..... | 12 |
| Volume Unlock – DVD Player..... | 12 |
| Turn On Volume Lock..... | 13 |
| Volume Lock – Cable Converter or SAT/DSS Receiver..... | 13 |
| Volume Lock – VCR..... | 13 |
| Volume Lock – DVD Player..... | 13 |
| DVD/VCR Keys..... | 13 |
| Priority-Press..... | 14 |
| Priority-Press Key Classes..... | 14 |
| Priority-Press Key Class Table..... | 14 |
| Turn On Power Key Priority-Press..... | 15 |
| Turn On Channel Key Priority-Press..... | 15 |
| Channel Key Priority-Press Setup – TV..... | 16 |
| Channel Key Priority-Press Setup – CBL/SAT..... | 16 |

Table of Contents

| | |
|--|----|
| Channel Key Priority-Press Setup – VCR..... | 16 |
| Volume Key Priority-Press..... | 17 |
| Volume Key Priority-Press Setup – TV..... | 17 |
| Volume Key Priority-Press Setup – CBL/SAT..... | 17 |
| Volume Key Priority-Press Setup – VCR..... | 17 |
| Volume Key Priority-Press Setup – DVD | 17 |
| Turn On Transport Key Priority-Press..... | 17 |
| Turn On Menu Keys Priority-Press..... | 18 |
| Punch-Through vs Priority Press..... | 18 |
| Toggle Punch-Through and Priority-Press..... | 18 |
| Backlight..... | 19 |
| Factory Reset..... | 19 |
| Computer Requirements..... | 20 |
| Install USB Drivers..... | 20 |
| Install RemoteLinker II* Software..... | 20 |
| Activating Guide..... | 21 |
| Download TV Listings..... | 23 |
| Updating TV Listings..... | 23 |
| Navigating Guide Screen..... | 23 |
| Using Guide key..... | 24 |
| Accessing Guide Screens..... | 24 |
| Title Screen..... | 25 |
| Detail Screen..... | 25 |
| Guide Expiration..... | 25 |
| Manufacturers' Codes..... | 26 |
| TV Codes..... | 26 |
| Cable Codes..... | 32 |
| Satellite Codes..... | 35 |
| VCR Codes..... | 36 |
| DVD Codes..... | 41 |
| PVR Codes..... | 43 |
| Video on Demand Codes..... | 43 |
| DVD/VCR Combo Codes..... | 43 |
| Miscellaneous Codes..... | 43 |
| Troubleshooting..... | 44 |
| Frequently Asked Questions..... | 45 |
| Specifications..... | 47 |
| Declaration of Conformity..... | 47 |
| Warranty..... | 48 |

INTRODUCTION

Introduction

Your new **Guide Remote*** allows you to control your TV, VCR, cable/SAT/DSS converter, and DVD player, all in one easy to use remote control. The design includes the functions used most often to operate TV, VCR, Cable converters and Satellite receivers and DVD Players.

This manual includes a list of 4-digit manufacturer's codes for TVs, VCRs, Cable and Satellite converters and DVD players.

The screen on your **Guide Remote** can provide you instant access to the TV programs listing, including a brief description of the TV show.

FEATURES

TV Listings – screen on remote provides access to TV program listings.

Program Details – press the GUIDE key to view program details.

Pre-Programmed Code Setup – contains the control codes for most available brands, including some discontinued devices.

Auto Code Search – select the type of device you need to set up and **Guide Remote** will search for the right code.

Code Verification – lets you recall the codes for each device in setup.

Programmable Macro Keys – each macro keys let you send a set of commands containing up to 32 steps with a single key press.

Punch-Through – gives you the ability to control specific functions of two different devices without being in the active mode for each device.

Priority-Press – gives you the ability to control the functions for each device exclusively in the active device mode.

Record Safety – requires a double press of key to prevent accidental recording.

Battery Saver – remote stops sending IR signal after 30 seconds if a key is stuck to save battery power.

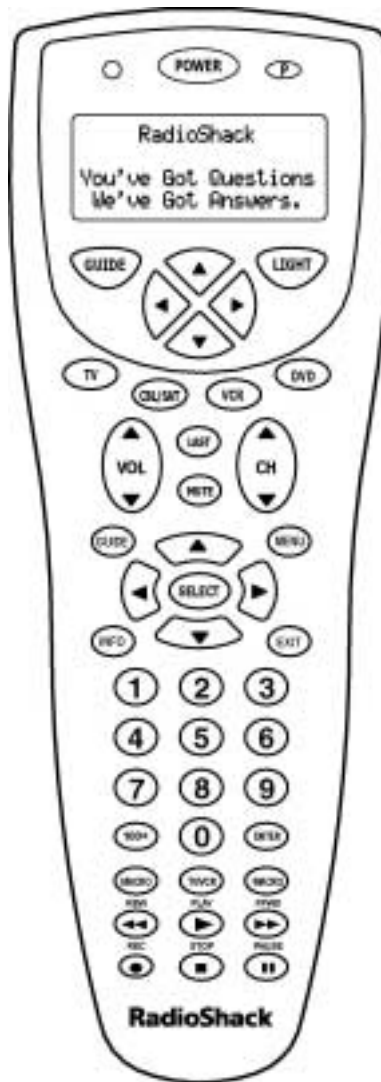
Code Saver – if batteries are removed or power runs out codes are stored in memory.

INTRODUCTION

KEY LAYOUT

Your *Guide Remote** controls the four most used functions in your home entertainment center, the TV, VCR/PVR, Cable/SAT and DVD player.

After the initial set up, the command keys will work similar to the keys on your original remote control.



INTRODUCTION

BASIC KEY FUNCTIONS

The following table details the list of all keys on the *Guide Remote** and how they function.

| | |
|--|--|
| P | Use to program the remote to control your devices. |
| LIGHT | Use to turn the backlight on or off. When the backlight key is pressed, the backlight will turn on for 5 seconds. Each time any key is pressed, the 5-second timer is re-primed. If no key is pressed during the 5-second interval, the backlight will turn off. |
| GUIDE | Press the GUIDE key near the display screen to access the TV Listings, Program Details and Information screen. |
| TV, VCR, CBL/SAT, DVD | Use to set up the remote to control your devices. Use these keys during normal operation, after setup, to select a desired device to control. |
| POWER, VOL+, VOL-, CH +, CH-, LAST, MUTE, GUIDE, MENU, SELECT, INFO, EXIT, Digit Keys (0-9), TV/VCR (A/B) 100+, ENTER and VCR & DVD Keys (Transport Keys) | Use these keys the same as the corresponding keys on your original remote control. |
| MACRO | Use MACRO keys to program multi-step commands. |

INTRODUCTION

MODE KEY FUNCTIONS

The table below details the function of selected keys in the various modes.

| KEY | TV | CBL/SAT | VCR | DVD |
|---------------|----------------------|----------------------|----------------|--------------|
| GUIDE | Guide | Guide | Guide, Program | Guide |
| MENU | Menu | Menu | Menu | Menu |
| INFO | Display | Information | Display | Information |
| CH + | Channel Up | Channel Up | Channel Up | Channel Up |
| CH - | Channel Down | Channel Down | Channel Down | Channel Down |
| VOL + | Volume Up | Volume Up | Volume Up | Volume Up |
| VOL - | Volume Down | Volume Down | Volume Down | Volume Down |
| LAST | Last Channel | Last Channel | Last Channel | |
| MUTE | Mute | Mute | Mute | Mute |
| ENTER | Enter | Enter | Enter | Enter |
| DIGIT | Enter | Enter | Enter | Enter |
| TV/VCR | TV/VCR | A/B | TV/VCR | TV/DVD |
| REW | Punch-through to VCR | Punch-through to VCR | Rewind | Rewind |
| PLAY | Punch-through to VCR | Punch-through to VCR | Play | Play |
| FFWD | Punch-through to VCR | Punch-through to VCR | Fast Forward | Fast Forward |
| REC | Punch-through to VCR | Punch-through to VCR | Record | Record |
| STOP | Punch-through to VCR | Punch-through to VCR | Stop | Stop |
| PAUSE | Punch-through to VCR | Punch-through to VCR | Pause | Pause |
| MACRO | Learn Macro | Learn Macro | Learn Macro | Learn Macro |

Note: On some Cable and Satellite systems with VOD (Video on Demand) the Transport (VCR/DVD) keys will not punch through to VCR. They will have the VOD function.

INTRODUCTION

INSTALL BATTERIES

The battery cover is located on the back of the remote. Pay close attention to the direction of the batteries. Align the poles (+ and -) as indicated in the battery compartment. Remove battery case cover to install the batteries in the remote control.

1. Press firmly on the arrow on the back of the remote to remove the battery cover.
2. Insert four new 1.5-volt AA alkaline batteries, taking care to align the polarity symbols (+ and -) as marked inside the battery case.
3. Replace the battery cover.

Notes:

- Use only fresh AA alkaline batteries.
- Do not use rechargeable batteries.
- Do not mix old and new batteries.
- Promptly remove old or weak batteries since they can leak chemicals that can destroy electronic parts.

BATTERY SAVER

If a key on the remote becomes stuck or held for an extended period, the remote will stop sending IR signal after 30 seconds.

ADJUST CONTRAST

Adjust the contrast on the screen of your new *Guide Remote*. Each time batteries are removed and replaced in the *Guide Remote*, you can adjust the contrast on the display screen to your desired level.



To adjust the contrast level, repeatedly press the left or right arrow keys located directly below the display screen.

Remote Control

REMOTE SETUP

You can use the remote control's device keys to control the following devices:

TV (television), VCR (Video Cassette Recorder), CBL/SAT (Cable converter or Satellite/Digital Satellite System receiver) or DVD (Digital Video Device) Player.

The default brands and codes preset in the remote are as follows:

- RCA TV (0200),
- RCA SAT receiver (0496),
- RCA VCR (0817) and
- RCA DVD player (0450)

To control devices other than the default brands perform the following steps. Skip this section if you use the default brands.

- Refer to the Manufacturers Codes on page 26 and write down the codes(s) for the brand of each device you want to program.
- Turn on all your home entertainment devices.

PROGRAM SETUP CODES

To set up the remote to control other devices or to change the set up of the default TV perform the following steps. For this example we will set up the remote to control a Curtis Mathis TV using manufacturers' code 0 5 9 1.

1. Press the **TV** key. The red light blinks one time.
2. Press the **P** key. The red light blinks two times.
3. Enter **0 5 9 1** using the digit keys. The red light blinks one time for each digit entered.
4. Press the **P** key. If the device is in the library the red light will blink three times indicating acceptance of the code. If the device does not exist, the red light will not blink on the remote.

Repeat the above steps to program codes into remote to control other devices.

For some combo devices (e.g. TV/VCR, DVD/VCR, etc.), you may need to set up each device type. Press **TV** key to set up TV and enter manufacturers' code. Then press the **VCR** key and use the VCR code listed.

Remote Control

MANUAL CODE SEARCH

If the *Guide Remote** does not operate your device, when set up, you may not have entered the correct 4-digit code. You may manually search for codes in each device category to locate one that operates your brand of device. See page 26 for list of Manufacturer's codes. To manually search for a codes that works on your device perform the following steps.

1. Press device key (**TV, VCR, CBL/SAT** or **DVD**). The red light blinks one time.
2. Press the **P** key. The red light blinks two times.
3. Press the **0 0 0 0** digit keys. The red light blinks one time.
4. Press the **P** key. The red light blinks three times.
5. Press any IR key (**POWER, CH+, CH-, VOL+, VOL-**, etc.). The red light blinks one time for each key pressed.
6. If the device operates the desired function, press the device key (**TV, VCR, CBL/SAT** or **DVD**) to exit and save the code. The red light blinks one time.
7. If the device does not operate the desired function, press the **P** key then the desired IR key(s), (**POWER, CH+, CH-, VOL+, VOL-**, etc.) again. Repeat the process until you find a code that operates your device.
8. Once you find a code that works press the device key (**TV, VCR, CBL/SAT** or **DVD**) to exit and save the code.

AUTO CODE SEARCH

The remote can perform an auto-search to locate a code that operates your devices. To allow the remote to perform an auto-search for a code perform the following steps.

1. Press the desired device key (**TV, VCR, CBL/SAT** or **DVD**) on which to perform a code search. The red light blinks one time.
2. Press the **P** key. The red light blinks two times.
3. Press the **7** digit key. The red light blinks one time.
4. Press the **P** key. The red light blinks three times.
5. At 2.5-second intervals, the remote will send **POWER** key commands. If the device does not have a power code, the remote will send the following commands in order, **PLAY, CH+** and **MUTE** IR. If none of these commands exists for the device, the device is skipped.
6. Press the device key (**TV, VCR, CBL/SAT** or **DVD**) to stop auto-search and save the code. Press any other key except device key to terminate the search without saving a code. The **P** key is ignored if pressed to terminate auto search.

Note: It may take up to several minutes to locate a code that operates the device.

Remote Control

VIEW DEVICE CODES

To determine the 4-digit code for each device set up in your remote perform the following steps:

VIEWING CODES

1. Press the desired device key (**TV, VCR, CBL/SAT or DVD**). The red light blinks one time.
2. Press **P** key. The red light blinks two times.
3. Press number **1** digit key. Press **P** key. Count the blinks (for example, if the red light blinks five times the first digit in the code is 5). Write down the number.

Note: The red light will not blink if the digit in the code is the number **0**.

4. Press number **2** digit key. Press **P** key. Count the blinks. Write down the number.
5. Press number **3** digit key. Press **P** key. Count the blinks. Write down the number.
6. Press number **4** digit key. Press **P** key. Count the blinks. Write down the number.

You can re-verify the number of blinks to identify either the first, second, third or fourth digit in the code by repeating any of the above steps.

Press any device key (**TV, VCR, CBL/SAT or DVD**) to exit this mode. The remote automatically exits this mode after 20 seconds of inactivity.

REASSIGNING DEVICE KEYS

You can reassign a device key (**TV, VCR, CBL/SAT or DVD**) to control any type device. For example, the VCR key can be set up to control a second TV, or the DVD key can be set up to control a second VCR.

Note: You must use the device category assigned to the key to perform an Auto Search and Manual Search.

Remote Control

PROGRAMMING MACROS

The *Guide Remote** has two hard keys for programming macros. Program each macro key to send one command containing up to 32 keystrokes.

RECORDING MACRO

Perform these steps to program macros.

1. Press any device key (**TV, VCR, CBL/SAT or DVD**). The red light blinks one time.
2. Press the **P** key. The red light blinks one time.
3. Press Macro Key 1 or 2. The red light blinks 3 times.
4. Press the desired keys (**TV, VCR, POWER, CH +, PLAY**, etc.) associated with the macro you want the remote to execute. The red light blinks one time for each key press.
5. Press the **P** key. The red light blinks three times.

NOTES:

- Press the **LIGHT** key to add ½ second delays. Each press of the **LIGHT** adds a ½ second delay.
- If your original remote control requires you to press Enter, Select or any other command, press **ENTER** after entering the channel number.
- Repeat Steps 1-4 above to assigning a new macro to either **MACRO** key. The previous macro will be overwritten.

PLAYING MACRO

To play a macro, press the appropriate **MACRO** key.

If you want to add another macro to the second macro key, repeat the above steps and substitute the desired key sequence for the macro you wish the remote to perform.

PUNCH-THROUGH

The Punch-Through feature lets you control two or more different devices without having to press the device keys for each one. For instance, with Punch-Through enabled, you can control the TV and/or VCR volume through your Cable converter. Punch-Through is always on unless you disable it.

Remote Control

VOLUME LOCK

Your remote's Volume Lock is preset to ON, so the volume and mute keys only control the TV volume, no matter which device is selected. If your device (CBL, VCR or SAT) has volume keys, the remote will ignore them and control volume through your TV. If you want to control the volume of other devices through your TV, skip the next section.

Note: TV/VCR Combo devices do not use this feature.

If you want to control the volume through each of your devices, perform the following steps:

TURN OFF VOLUME LOCK

Volume Unlock – CBL/SAT

1. Press **CBL/SAT** key. The red light blinks one time.
2. Press **P** key. The red light blinks two times.
3. Press number **5** digit key. The red light blinks one time.
4. Press **P** key. The red light blinks 2 times.

Volume lock to CBL/SAT is now turned off. If you want to control volume through Cable/SAT, you must be in the Cable/SAT mode.

Volume Unlock – VCR

1. Press **VCR** key. The red light blinks one time.
2. Press **P** key. The red light blinks two times.
3. Press number **5** digit key. The red light blinks one time.
4. Press **P** key. The red light blinks two times.

Volume lock to VCR is now turned off. If you want to control volume through your VCR, you must be in the VCR mode.

Volume Unlock – DVD Player

1. Press **DVD** key. The red light blinks one time.
2. Press **P** key. The red light blinks two times.
3. Press number **5** digit key. The red light blinks one time.
4. Press **P** key. The red light blinks two times.

Volume lock to DVD is now turned off. If you want to control volume through your DVD, you must be in the DVD mode.

Remote Control

TURN ON VOLUME LOCK

You can turn on or reset Volume Lock to control volume through your TV by performing the following steps:

Note: If no device is set up in the selected mode, the remote will punch-through and attempt to find one. If none is found, it will not send the volume lock command.

Volume Lock – Cable Converter or SAT/DSS Receiver

1. Press **CBL/SAT** key. The red light blinks one time.
2. Press **P** key. The red light blinks two times.
3. Press number **5** digit key. The red light blinks one time.
4. Press **P** key. The red light blinks one time.

Volume to cable converter or satellite receiver is now controlled through TV.

Volume Lock – VCR

1. Press **VCR** key. The red light blinks one time.
2. Press **P** key. The red light blinks two times.
3. Press number **5** digit key. The red light blinks one time.
4. Press **P** key. The red light blinks one time.

Volume to VCR is now controlled through TV.

Volume Lock – DVD Player

1. Press **DVD** key. The red light blinks one time.
2. Press **P** key. The red light blinks two times.
3. Press number **5** digit key. The red light blinks one time.
4. Press **P** key. The red light blinks one time.

Volume to DVD is now controlled through TV.

DVD/VCR KEYS

DVD/VCR (transport) keys that have no function in the current device "punch-through" to the VCR device. Example: Specific VCR keys (Play, Stop, Fast Forward, Rewind, Pause, Record) will transmit these VCR IR codes in the Cable, Sat and TV mode.

The default setting in the Guide Remote is for the transport keys to Punch-Through to the default VCR. If you have a VCR set up in the remote but want the transport keys to punch-through to be controlled by your DVD player, turn on Priority-Press and map the transport keys to the DVD player.

The transport keys will also punch-through to the DVD Player if you set up a DVD player under the VCR key.

Transport keys will not punch-through to VCR, Cable and Sat if device has Video on Demand feature. VOD functions are maintained.

Remote Control

PRIORITY-PRESS

Priority-Press gives you the ability to assign common functions to keys associated with your entertainment devices, regardless of which mode you are in, with the press of one key.

Once set up, priority-press keys will only control the assigned device, regardless of the currently active mode.

Example: You can set up the volume keys to only control the TV, the channel keys to control the cable box, the transport keys to control the DVD and the power key to only operate the cable or satellite box.





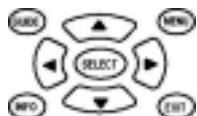
PRIORITY-PRESS KEY CLASS

There are four priority-press key classes, Channel (CH up and CH down), Volume (VOL up and VOL down) and Transport (Play, Stop, FAST Forward, Rewind, Pause and Record) and Power.

Remote Control

PRIORITY-PRESS KEY CLASS TABLE

The table below details the classification of Priority-Press keys (See Page 14 for more information on Priority-Press).

| PRIORITY-PRESS KEY CLASSES | KEY LABEL |
|---|-------------------|
| Power  | POWER |
| Channel  | CH + |
| | CH - |
| | LAST |
| | ENTER |
| | Digit Keys (0-9) |
| Volume  | VOL + |
| | VOL - |
| | MUTE |
| Transport (VCR/DVD Keys)  | REW |
| | PLAY |
| | FFWD |
| | REC |
| | STOP |
| | PAUSE |
| Menu (Navigation Keys)  | GUIDE |
| | MENU |
| | SELECT |
| | INFO |
| | EXIT |
| | NAVIGATION ARROWS |

Remote Control

TURN ON POWER KEY PRIORITY-PRESS

The Power key class is the POWER key. To setup Power class key perform the following steps:

Power Key Priority-Press Setup

1. Press a device key (**TV, VCR, CBL/SAT** or **DVD**). The red light blinks one time.
2. Press **P** key. The red light blinks two times.
3. Press Power Key. The red light blinks three times.

When the POWER key is pressed, power on/off will only work for the selected device.

CHANNEL KEY PRIORITY-PRESS

The Channel class keys are CH+, CH- Last and the digit keys. To setup and turn on channel class key to various devices perform the following steps:

Channel Key Priority-Press Setup – TV

1. Press **TV** key. The red light blinks one time.
2. Press **P** key. The red light blinks two times.
3. Press number **CH+, CH- or Last** key. The red light blinks three times.

When the CH+, CH-, Last or digit keys are pressed the remote will only change channels through TV.

Channel Key Priority-Press Setup – CBL/SAT

1. Press **CBL/SAT** key. The red light blinks one time.
2. Press **P** key. The red light blinks two times.
3. Press number **CH+, CH- or Last** key. The red light blinks three times.

When the CH+, CH-, Last or digit keys are pressed the remote will only change channels through the CBL/SAT box.

Channel Key Priority-Press Setup – VCR

1. Press **VCR** key. The red light blinks one time.
2. Press **P** key. The red light blinks two times.
3. Press number **CH+, CH- or Last** key. The red light blinks three times.

When the CH+, CH-, Last or digit keys are pressed the remote will only change channels through the VCR.

Note: Digit keys cannot be used to program the channel class. To remove Channel Key Priority-Press repeat the set up steps for the appropriate device.

Remote Control

VOLUME KEY PRIORITY-PRESS

The Volume class keys are VOL+, VOL- and MUTE. To set up volume class key perform the following steps:

Volume Key Priority-Press Setup – TV

1. Press **TV** key. The red light blinks one time.
2. Press **P** key. The red light blinks two times.
3. Press **VOL+**, **VOL-** or **MUTE** key. The red light blinks three times.

When the **VOL+**, **VOL-** or **MUTE** keys are pressed, the volume will only be controlled through the TV.

Volume Key Priority-Press Setup – CBL/SAT

1. Press **CBL/SAT** key. The red light blinks one time.
2. Press **P** key. The red light blinks two times.
3. Press **VOL+**, **VOL-** or **MUTE** key. The red light blinks three times.

When the **VOL+**, **VOL-** or **MUTE** keys are pressed, the volume will only be controlled through the CBL/SAT box.

Volume Key Priority-Press Setup – VCR

1. Press **VCR** key. The red light blinks one time.
2. Press **P** key. The red light blinks two times.
3. Press **VOL+**, **VOL-** or **MUTE** key. The red light blinks three times.

When the **VOL+**, **VOL-** or **MUTE** keys are pressed, the volume will only be controlled through the VCR.

Volume Key Priority-Press Setup – DVD

1. Press **DVD** key. The red light blinks one time.
2. Press **P** key. The red light blinks two times.
3. Press **VOL+**, **VOL-** or **MUTE** key. The red light blinks three times.

When the **VOL+**, **VOL-** or **MUTE** keys are pressed, the volume will only be controlled through the DVD.

To remove Volume Key Priority-Press repeat the setup steps for the appropriate device. Two blinks of the red light indicate Volume Lock is turned off.

TRANSPORT KEYS PRIORITY-PRESS

The Transport class keys are **REW**, **PLAY**, **FFWD**, **REC**, **STOP**, and **PAUSE**. To setup and turn on transport class keys to devices perform the following steps:

Transport Key Priority-Press Setup

1. Press **VCR** or **DVD** key. The red light blinks one time.
2. Press **P** key. The red light blinks two times.
3. Press a Transport Class Key. The red light blinks three times.

When a Transport Class key is pressed, transport keys will only work for the selected device.

Remote Control

TURN ON MENU KEY PRIORITY-PRESS

The Menu class keys are **MENU**, **SELECT**, **GUIDE**, **INFO**, **EXIT** and Navigation arrows. To setup and turn on menu class key to various devices perform the following steps:

Menu Key Priority-Press Setup

1. Press device key (**TV**, **VCR**, **CBL/SAT** or **DVD**). The red light blinks one time.
2. Press **P** key. The red light blinks two times.
3. Press Menu Class Keys. The red light blinks three times.

When a Menu Class key is pressed, the menu will only work for the selected device.

PUNCH-THROUGH VS PRIORITY PRESS

Punch-Through and Priority-Press are mutually exclusive features. If Priority-Press is turned on, Punch-Through is turned off. If Priority-Press is turned off, Punch-Through is turned on.

Note: If you enable priority-press with no class key priorities programmed the remote does not send either Punch-Through or Priority-Press command.

TOGGLE PUNCH-THROUGH AND PRIORITY-PRESS

To toggle between Punch-Through and Priority-Press perform the following steps:

1. Press any device key (**TV**, **VCR**, **CBL/SAT** or **DVD**). The red light will blink one time.
2. Continue to press and hold the device key for 3.5 seconds.
 - If the red light blinks three times, Punch-Through is OFF and Priority-Press is ON.
 - If the red light blinks two times, Punch-Through is ON and Priority-Press is OFF.

Remote Control

BACKLIGHT

- Press the **LIGHT** key to turn on the backlight. When the **LIGHT** key is pressed, the backlight is preset to stay on for 5 seconds.
- Each time any key is pressed, the 5 second timeout is reset. If no key is pressed for 5 seconds, the backlight will turn off.
- If the **LIGHT** key is pressed while the backlight is on, it will turn off.

The backlight on your remote can be set to turn on and stay on for up to 10 seconds. To change the backlight setting to a 10-second timeout perform the following steps:

1. Press any device key (**TV**, **VCR**, **CBL/SAT** or **DVD**). The red light blinks 1 time.
2. Press the **P** key. The red light blinks 2 times.
3. Press the number **9** digit key. The red light blinks 1 time.
4. Press the **P** key. The red light blinks 2 times. The backlight will now remain on for up to 10 seconds after the last key is pressed.

Repeat steps 1-4 to change the backlight setting back to a 5 second timeout. The red light blinks **1** time in step four to indicate a 5 second backlight timeout.

FACTORY RESET

The **Guide Remote*** can be reset to the factory default settings. Once reset, all macros and setup devices revert to default settings and devices. To reset remote to factory settings, perform the following steps.

1. Press any device key. The red light blinks 1 time.
2. Press the **P** key. The red light blinks 2 times.
3. Press the number **8** digit key. The red light blinks 1 time.
4. Press and hold the **P** key for 3 seconds. The red light blinks 2 times.

Activating Guide

COMPUTER REQUIREMENTS

Minimum system requirements for software installation and use:

A PC running Windows 98SE / 1ME / 2000 / 2XP

Internet Explorer 5.0+, Netscape 4.0+ or AOL 5.0+ Browser

Note: Microsoft Internet Explorer 5.0 *must* be installed on your computer even if it is not your default browser, because *RemoteLinker II* uses resource files provided only with Internet Explorer.

An available USB Port.

A CD ROM Drive.

Minimum of 5 MB free hard disk space.

Minimum of 8 MB RAM.

Active connection to the Internet.

INSTALL USB DRIVERS

1. Connect the *RemoteLinker II* cable to your *Guide Remote* and to an available USB port on your computer.
2. Wait for your computer to finish installing the required drivers.
3. Disconnect the cable from the remote.

INSTALL REMOTELINKER II* SOFTWARE

1. **IMPORTANT:** Temporarily disable any anti-virus software running on your PC.
2. Insert the *RemoteLinker II* CD in your CD ROM drive. Follow the installation instructions on the computer screen.
3. When prompted, click on the option to install the *RemoteLinker II* icon to the desktop.

After successful installation, a *RemoteLinker II* icon will appear in the system tray. This is usually located in the lower right corner of your computers screen near the clock.



Note: ¹ *RemoteLinker II* has been successfully tested on all of the above mentioned operating systems. This software was specifically designed to use USB drivers supplied by Microsoft in each operating system and does not install drivers for you. Reliability is assured if the following three conditions are met:

- The system meets the minimum system requirements.
- The operating system and all the USB drivers were properly installed without errors.
- The systems anti-virus software was disabled during the RemoteLinker II software installation.

²Some computers require a shutdown and restart to complete installation of software. Please follow your systems instructions if it prompts you to perform a shutdown and restart.

Activating Guide

ACTIVATING GUIDE

Verify or establish an active connection to the Internet. You must be online to complete the activation process. Verify the connection or connect the *RemoteLinker*[®] cable to the remote and PC.

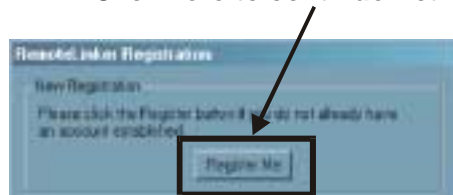
An Activation page should appear.



1. First-time Users (Only)

Click on the "Register Me" button to continue the activation process.

Click here to continue Activation



2. Enter User Profile Information

Note: You must enter a VALID EMAIL ADDRESS

Activating Guide

ACTIVATING GUIDE (CONTINUED)

3. Select Guide Lineup

You may customize the Guide downloaded in your *Guide Remote** in the SETTINGS section at the Web site. Some of the customization features are as follows:

Please select the time of day for your Guide

| Download guide schedule | Early A.M. - 6am | Morning 6am - 12pm | Afternoon 12pm - 3pm | Prime 3pm - 8pm | Evening 8pm - 12am | Late 12am - 6am | All Day |
|-------------------------|--------------------------|-------------------------------------|-------------------------------------|--------------------------|--------------------------|--------------------------|--------------------------|
| Mon - Fri | <input type="checkbox"/> | <input checked="" type="checkbox"/> | <input checked="" type="checkbox"/> | <input type="checkbox"/> | <input type="checkbox"/> | <input type="checkbox"/> | <input type="checkbox"/> |
| Sat - Sun | <input type="checkbox"/> | <input checked="" type="checkbox"/> | <input checked="" type="checkbox"/> | <input type="checkbox"/> | <input type="checkbox"/> | <input type="checkbox"/> | <input type="checkbox"/> |

- Week Day Guide** – If you only watch TV Monday through Friday you may choose to select only a customized Week Day Guide. If you only watch TV the mornings, afternoon, or evenings, you may choose to only download TV Listings for the part of the day that you watch TV.
- Weekend Guide** - If you only watch TV on the weekends you may choose to select only a customized Weekend Guide. If you only watch TV in the mornings, afternoon, or evenings, on the weekend you may choose to only download TV Listings for the part of the day that you watch TV on the weekend
- Complete or Customized Guide** – You may choose to download the full Guide of TV Listings, or a combination of weekday and weekend day parts in to your *Guide Remote*.

4. Select Channel Lineup

Select the channels you want to appear in your *Guide Remote*.

Notes: At the end of the activation and sign-up process you will be sent a confirmation email.

| Search | Channel | Search | Channel |
|--------------------------|---------|--------------------------|---------|
| <input type="checkbox"/> | 11.1000 | <input type="checkbox"/> | 11.1001 |
| <input type="checkbox"/> | 11.1002 | <input type="checkbox"/> | 11.1003 |
| <input type="checkbox"/> | 11.1004 | <input type="checkbox"/> | 11.1005 |
| <input type="checkbox"/> | 11.1006 | <input type="checkbox"/> | 11.1007 |
| <input type="checkbox"/> | 11.1008 | <input type="checkbox"/> | 11.1009 |
| <input type="checkbox"/> | 11.1010 | <input type="checkbox"/> | 11.1011 |
| <input type="checkbox"/> | 11.1012 | <input type="checkbox"/> | 11.1013 |
| <input type="checkbox"/> | 11.1014 | <input type="checkbox"/> | 11.1015 |
| <input type="checkbox"/> | 11.1016 | <input type="checkbox"/> | 11.1017 |
| <input type="checkbox"/> | 11.1018 | <input type="checkbox"/> | 11.1019 |
| <input type="checkbox"/> | 11.1020 | <input type="checkbox"/> | 11.1021 |
| <input type="checkbox"/> | 11.1022 | <input type="checkbox"/> | 11.1023 |
| <input type="checkbox"/> | 11.1024 | <input type="checkbox"/> | 11.1025 |
| <input type="checkbox"/> | 11.1026 | <input type="checkbox"/> | 11.1027 |
| <input type="checkbox"/> | 11.1028 | <input type="checkbox"/> | 11.1029 |
| <input type="checkbox"/> | 11.1030 | <input type="checkbox"/> | 11.1031 |
| <input type="checkbox"/> | 11.1032 | <input type="checkbox"/> | 11.1033 |
| <input type="checkbox"/> | 11.1034 | <input type="checkbox"/> | 11.1035 |
| <input type="checkbox"/> | 11.1036 | <input type="checkbox"/> | 11.1037 |
| <input type="checkbox"/> | 11.1038 | <input type="checkbox"/> | 11.1039 |
| <input type="checkbox"/> | 11.1040 | <input type="checkbox"/> | 11.1041 |
| <input type="checkbox"/> | 11.1042 | <input type="checkbox"/> | 11.1043 |
| <input type="checkbox"/> | 11.1044 | <input type="checkbox"/> | 11.1045 |
| <input type="checkbox"/> | 11.1046 | <input type="checkbox"/> | 11.1047 |
| <input type="checkbox"/> | 11.1048 | <input type="checkbox"/> | 11.1049 |
| <input type="checkbox"/> | 11.1050 | <input type="checkbox"/> | 11.1051 |
| <input type="checkbox"/> | 11.1052 | <input type="checkbox"/> | 11.1053 |
| <input type="checkbox"/> | 11.1054 | <input type="checkbox"/> | 11.1055 |
| <input type="checkbox"/> | 11.1056 | <input type="checkbox"/> | 11.1057 |
| <input type="checkbox"/> | 11.1058 | <input type="checkbox"/> | 11.1059 |
| <input type="checkbox"/> | 11.1060 | <input type="checkbox"/> | 11.1061 |
| <input type="checkbox"/> | 11.1062 | <input type="checkbox"/> | 11.1063 |
| <input type="checkbox"/> | 11.1064 | <input type="checkbox"/> | 11.1065 |
| <input type="checkbox"/> | 11.1066 | <input type="checkbox"/> | 11.1067 |
| <input type="checkbox"/> | 11.1068 | <input type="checkbox"/> | 11.1069 |
| <input type="checkbox"/> | 11.1070 | <input type="checkbox"/> | 11.1071 |
| <input type="checkbox"/> | 11.1072 | <input type="checkbox"/> | 11.1073 |
| <input type="checkbox"/> | 11.1074 | <input type="checkbox"/> | 11.1075 |
| <input type="checkbox"/> | 11.1076 | <input type="checkbox"/> | 11.1077 |
| <input type="checkbox"/> | 11.1078 | <input type="checkbox"/> | 11.1079 |
| <input type="checkbox"/> | 11.1080 | <input type="checkbox"/> | 11.1081 |
| <input type="checkbox"/> | 11.1082 | <input type="checkbox"/> | 11.1083 |
| <input type="checkbox"/> | 11.1084 | <input type="checkbox"/> | 11.1085 |
| <input type="checkbox"/> | 11.1086 | <input type="checkbox"/> | 11.1087 |
| <input type="checkbox"/> | 11.1088 | <input type="checkbox"/> | 11.1089 |
| <input type="checkbox"/> | 11.1090 | <input type="checkbox"/> | 11.1091 |
| <input type="checkbox"/> | 11.1092 | <input type="checkbox"/> | 11.1093 |
| <input type="checkbox"/> | 11.1094 | <input type="checkbox"/> | 11.1095 |
| <input type="checkbox"/> | 11.1096 | <input type="checkbox"/> | 11.1097 |
| <input type="checkbox"/> | 11.1098 | <input type="checkbox"/> | 11.1099 |
| <input type="checkbox"/> | 11.1100 | <input type="checkbox"/> | 11.1101 |
| <input type="checkbox"/> | 11.1102 | <input type="checkbox"/> | 11.1103 |
| <input type="checkbox"/> | 11.1104 | <input type="checkbox"/> | 11.1105 |
| <input type="checkbox"/> | 11.1106 | <input type="checkbox"/> | 11.1107 |
| <input type="checkbox"/> | 11.1108 | <input type="checkbox"/> | 11.1109 |
| <input type="checkbox"/> | 11.1110 | <input type="checkbox"/> | 11.1111 |
| <input type="checkbox"/> | 11.1112 | <input type="checkbox"/> | 11.1113 |
| <input type="checkbox"/> | 11.1114 | <input type="checkbox"/> | 11.1115 |
| <input type="checkbox"/> | 11.1116 | <input type="checkbox"/> | 11.1117 |
| <input type="checkbox"/> | 11.1118 | <input type="checkbox"/> | 11.1119 |
| <input type="checkbox"/> | 11.1120 | <input type="checkbox"/> | 11.1121 |
| <input type="checkbox"/> | 11.1122 | <input type="checkbox"/> | 11.1123 |
| <input type="checkbox"/> | 11.1124 | <input type="checkbox"/> | 11.1125 |
| <input type="checkbox"/> | 11.1126 | <input type="checkbox"/> | 11.1127 |
| <input type="checkbox"/> | 11.1128 | <input type="checkbox"/> | 11.1129 |
| <input type="checkbox"/> | 11.1130 | <input type="checkbox"/> | 11.1131 |
| <input type="checkbox"/> | 11.1132 | <input type="checkbox"/> | 11.1133 |
| <input type="checkbox"/> | 11.1134 | <input type="checkbox"/> | 11.1135 |
| <input type="checkbox"/> | 11.1136 | <input type="checkbox"/> | 11.1137 |
| <input type="checkbox"/> | 11.1138 | <input type="checkbox"/> | 11.1139 |
| <input type="checkbox"/> | 11.1140 | <input type="checkbox"/> | 11.1141 |
| <input type="checkbox"/> | 11.1142 | <input type="checkbox"/> | 11.1143 |
| <input type="checkbox"/> | 11.1144 | <input type="checkbox"/> | 11.1145 |
| <input type="checkbox"/> | 11.1146 | <input type="checkbox"/> | 11.1147 |
| <input type="checkbox"/> | 11.1148 | <input type="checkbox"/> | 11.1149 |
| <input type="checkbox"/> | 11.1150 | <input type="checkbox"/> | 11.1151 |
| <input type="checkbox"/> | 11.1152 | <input type="checkbox"/> | 11.1153 |
| <input type="checkbox"/> | 11.1154 | <input type="checkbox"/> | 11.1155 |
| <input type="checkbox"/> | 11.1156 | <input type="checkbox"/> | 11.1157 |
| <input type="checkbox"/> | 11.1158 | <input type="checkbox"/> | 11.1159 |
| <input type="checkbox"/> | 11.1160 | <input type="checkbox"/> | 11.1161 |
| <input type="checkbox"/> | 11.1162 | <input type="checkbox"/> | 11.1163 |
| <input type="checkbox"/> | 11.1164 | <input type="checkbox"/> | 11.1165 |
| <input type="checkbox"/> | 11.1166 | <input type="checkbox"/> | 11.1167 |
| <input type="checkbox"/> | 11.1168 | <input type="checkbox"/> | 11.1169 |
| <input type="checkbox"/> | 11.1170 | <input type="checkbox"/> | 11.1171 |
| <input type="checkbox"/> | 11.1172 | <input type="checkbox"/> | 11.1173 |
| <input type="checkbox"/> | 11.1174 | <input type="checkbox"/> | 11.1175 |
| <input type="checkbox"/> | 11.1176 | <input type="checkbox"/> | 11.1177 |
| <input type="checkbox"/> | 11.1178 | <input type="checkbox"/> | 11.1179 |
| <input type="checkbox"/> | 11.1180 | <input type="checkbox"/> | 11.1181 |
| <input type="checkbox"/> | 11.1182 | <input type="checkbox"/> | 11.1183 |
| <input type="checkbox"/> | 11.1184 | <input type="checkbox"/> | 11.1185 |
| <input type="checkbox"/> | 11.1186 | <input type="checkbox"/> | 11.1187 |
| <input type="checkbox"/> | 11.1188 | <input type="checkbox"/> | 11.1189 |
| <input type="checkbox"/> | 11.1190 | <input type="checkbox"/> | 11.1191 |
| <input type="checkbox"/> | 11.1192 | <input type="checkbox"/> | 11.1193 |
| <input type="checkbox"/> | 11.1194 | <input type="checkbox"/> | 11.1195 |
| <input type="checkbox"/> | 11.1196 | <input type="checkbox"/> | 11.1197 |
| <input type="checkbox"/> | 11.1198 | <input type="checkbox"/> | 11.1199 |
| <input type="checkbox"/> | 11.1200 | <input type="checkbox"/> | 11.1201 |
| <input type="checkbox"/> | 11.1202 | <input type="checkbox"/> | 11.1203 |
| <input type="checkbox"/> | 11.1204 | <input type="checkbox"/> | 11.1205 |
| <input type="checkbox"/> | 11.1206 | <input type="checkbox"/> | 11.1207 |
| <input type="checkbox"/> | 11.1208 | <input type="checkbox"/> | 11.1209 |
| <input type="checkbox"/> | 11.1210 | <input type="checkbox"/> | 11.1211 |
| <input type="checkbox"/> | 11.1212 | <input type="checkbox"/> | 11.1213 |
| <input type="checkbox"/> | 11.1214 | <input type="checkbox"/> | 11.1215 |
| <input type="checkbox"/> | 11.1216 | <input type="checkbox"/> | 11.1217 |
| <input type="checkbox"/> | 11.1218 | <input type="checkbox"/> | 11.1219 |
| <input type="checkbox"/> | 11.1220 | <input type="checkbox"/> | 11.1221 |
| <input type="checkbox"/> | 11.1222 | <input type="checkbox"/> | 11.1223 |
| <input type="checkbox"/> | 11.1224 | <input type="checkbox"/> | 11.1225 |
| <input type="checkbox"/> | 11.1226 | <input type="checkbox"/> | 11.1227 |
| <input type="checkbox"/> | 11.1228 | <input type="checkbox"/> | 11.1229 |
| <input type="checkbox"/> | 11.1230 | <input type="checkbox"/> | 11.1231 |
| <input type="checkbox"/> | 11.1232 | <input type="checkbox"/> | 11.1233 |
| <input type="checkbox"/> | 11.1234 | <input type="checkbox"/> | 11.1235 |
| <input type="checkbox"/> | 11.1236 | <input type="checkbox"/> | 11.1237 |
| <input type="checkbox"/> | 11.1238 | <input type="checkbox"/> | 11.1239 |
| <input type="checkbox"/> | 11.1240 | <input type="checkbox"/> | 11.1241 |
| <input type="checkbox"/> | 11.1242 | <input type="checkbox"/> | 11.1243 |
| <input type="checkbox"/> | 11.1244 | <input type="checkbox"/> | 11.1245 |
| <input type="checkbox"/> | 11.1246 | <input type="checkbox"/> | 11.1247 |
| <input type="checkbox"/> | 11.1248 | <input type="checkbox"/> | 11.1249 |
| <input type="checkbox"/> | 11.1250 | <input type="checkbox"/> | 11.1251 |
| <input type="checkbox"/> | 11.1252 | <input type="checkbox"/> | 11.1253 |
| <input type="checkbox"/> | 11.1254 | <input type="checkbox"/> | 11.1255 |
| <input type="checkbox"/> | 11.1256 | <input type="checkbox"/> | 11.1257 |
| <input type="checkbox"/> | 11.1258 | <input type="checkbox"/> | 11.1259 |
| <input type="checkbox"/> | 11.1260 | <input type="checkbox"/> | 11.1261 |
| <input type="checkbox"/> | 11.1262 | <input type="checkbox"/> | 11.1263 |
| <input type="checkbox"/> | 11.1264 | <input type="checkbox"/> | 11.1265 |
| <input type="checkbox"/> | 11.1266 | <input type="checkbox"/> | 11.1267 |
| <input type="checkbox"/> | 11.1268 | <input type="checkbox"/> | 11.1269 |
| <input type="checkbox"/> | 11.1270 | <input type="checkbox"/> | 11.1271 |
| <input type="checkbox"/> | 11.1272 | <input type="checkbox"/> | 11.1273 |
| <input type="checkbox"/> | 11.1274 | <input type="checkbox"/> | 11.1275 |
| <input type="checkbox"/> | 11.1276 | <input type="checkbox"/> | 11.1277 |
| <input type="checkbox"/> | 11.1278 | <input type="checkbox"/> | 11.1279 |
| <input type="checkbox"/> | 11.1280 | <input type="checkbox"/> | 11.1281 |
| <input type="checkbox"/> | 11.1282 | <input type="checkbox"/> | 11.1283 |
| <input type="checkbox"/> | 11.1284 | <input type="checkbox"/> | 11.1285 |
| <input type="checkbox"/> | 11.1286 | <input type="checkbox"/> | 11.1287 |
| <input type="checkbox"/> | 11.1288 | <input type="checkbox"/> | 11.1289 |
| <input type="checkbox"/> | 11.1290 | <input type="checkbox"/> | 11.1291 |
| <input type="checkbox"/> | 11.1292 | <input type="checkbox"/> | 11.1293 |
| <input type="checkbox"/> | 11.1294 | <input type="checkbox"/> | 11.1295 |
| <input type="checkbox"/> | 11.1296 | <input type="checkbox"/> | 11.1297 |
| <input type="checkbox"/> | 11.1298 | <input type="checkbox"/> | 11.1299 |
| <input type="checkbox"/> | 11.1300 | <input type="checkbox"/> | 11.1301 |
| <input type="checkbox"/> | 11.1302 | <input type="checkbox"/> | 11.1303 |
| <input type="checkbox"/> | 11.1304 | <input type="checkbox"/> | 11.1305 |
| <input type="checkbox"/> | 11.1306 | <input type="checkbox"/> | 11.1307 |
| <input type="checkbox"/> | 11.1308 | <input type="checkbox"/> | 11.1309 |
| <input type="checkbox"/> | 11.1310 | <input type="checkbox"/> | 11.1311 |
| <input type="checkbox"/> | 11.1312 | <input type="checkbox"/> | 11.1313 |
| <input type="checkbox"/> | 11.1314 | <input type="checkbox"/> | 11.1315 |
| <input type="checkbox"/> | 11.1316 | <input type="checkbox"/> | 11.1317 |
| <input type="checkbox"/> | 11.1318 | <input type="checkbox"/> | 11.1319 |
| <input type="checkbox"/> | 11.1320 | <input type="checkbox"/> | 11.1321 |
| <input type="checkbox"/> | 11.1322 | <input type="checkbox"/> | 11.1323 |
| <input type="checkbox"/> | 11.1324 | <input type="checkbox"/> | 11.1325 |
| <input type="checkbox"/> | 11.1326 | <input type="checkbox"/> | 11.1327 |
| <input type="checkbox"/> | 11.1328 | <input type="checkbox"/> | 11.1329 |
| <input type="checkbox"/> | 11.1330 | <input type="checkbox"/> | 11.1331 |
| <input type="checkbox"/> | 11.1332 | <input type="checkbox"/> | 11.1333 |
| <input type="checkbox"/> | 11.1334 | <input type="checkbox"/> | 11.1335 |
| <input type="checkbox"/> | 11.1336 | <input type="checkbox"/> | 11.1337 |
| <input type="checkbox"/> | 11.1338 | <input type="checkbox"/> | 11.1339 |
| <input type="checkbox"/> | 11.1340 | <input type="checkbox"/> | 11.1341 |
| <input type="checkbox"/> | 11.1342 | <input type="checkbox"/> | 11.1343 |
| <input type="checkbox"/> | 11.1344 | <input type="checkbox"/> | 11.1345 |
| <input type="checkbox"/> | 11.1346 | <input type="checkbox"/> | 11.1347 |
| <input type="checkbox"/> | 11.1348 | <input type="checkbox"/> | 11.1349 |
| <input type="checkbox"/> | 11.1350 | <input type="checkbox"/> | 11.1351 |
| <input type="checkbox"/> | 11.1352 | <input type="checkbox"/> | 11.1353 |
| <input type="checkbox"/> | 11.1354 | <input type="checkbox"/> | 11.1355 |
| <input type="checkbox"/> | 11.1356 | <input type="checkbox"/> | 11.1357 |
| <input type="checkbox"/> | 11.1358 | <input type="checkbox"/> | 11.1359 |
| <input type="checkbox"/> | 11.1360 | <input type="checkbox"/> | 11.1361 |
| <input type="checkbox"/> | 11.1362 | <input type="checkbox"/> | 11.1363 |
| <input type="checkbox"/> | 11.1364 | <input type="checkbox"/> | 11.1365 |
| <input type="checkbox"/> | 11.1366 | <input type="checkbox"/> | 11.1367 |
| <input type="checkbox"/> | 11.1368 | <input type="checkbox"/> | 11.1369 |
| <input type="checkbox"/> | 11.1370 | <input type="checkbox"/> | 11.1371 |
| <input type="checkbox"/> | 11.1372 | <input type="checkbox"/> | 11.1373 |
| <input type="checkbox"/> | 11.1374 | <input type="checkbox"/> | 11.1375 |
| <input type="checkbox"/> | 11.1376 | <input type="checkbox"/> | 11.1377 |
| <input type="checkbox"/> | 11.1378 | <input type="checkbox"/> | 11.1379 |
| <input type="checkbox"/> | 11.1380 | <input type="checkbox"/> | 11.1381 |
| <input type="checkbox"/> | 11.1382 | <input type="checkbox"/> | 11.1383 |
| <input type="checkbox"/> | 11.1384 | <input type="checkbox"/> | 11.1385 |
| <input type="checkbox"/> | 11.1386 | <input type="checkbox"/> | 11.1387 |
| <input type="checkbox"/> | 11.1388 | <input type="checkbox"/> | 11.1389 |
| <input type="checkbox"/> | 11.1390 | <input type="checkbox"/> | 11.1391 |
| <input type="checkbox"/> | 11.1392 | <input type="checkbox"/> | 11.1393 |
| <input type="checkbox"/> | 11.1394 | <input type="checkbox"/> | 11.1395 |
| <input type="checkbox"/> | 11.1396 | <input type="checkbox"/> | 11.1397 |
| <input type="checkbox"/> | 11.1398 | <input type="checkbox"/> | 11.1399 |
| <input type="checkbox"/> | 11.1400 | <input type="checkbox"/> | 11.1401 |
| <input type="checkbox"/> | 11.1402 | <input type="checkbox"/> | 11.1403 |
| <input type="checkbox"/> | 11.1404 | <input type="checkbox"/> | 11.1405 |
| <input type="checkbox"/> | 11.1406 | <input type="checkbox"/> | 11.1407 |
| <input type="checkbox"/> | 11.1408 | <input type="checkbox"/> | 11.1409 |
| <input type="checkbox"/> | 11.1410 | <input type="checkbox"/> | 11.1411 |
| <input type="checkbox"/> | 11.1412 | <input type="checkbox"/> | 11.1413 |
| <input type="checkbox"/> | 11.1414 | <input type="checkbox"/> | 11.1415 |
| <input type="checkbox"/> | 11.1416 | <input type="checkbox"/> | 11.1417 |
| <input type="checkbox"/> | 11.1418 | <input type="checkbox"/> | 11.1419 |
| <input type="checkbox"/> | 11.1420 | <input type="checkbox"/> | 11.1421 |
| <input type="checkbox"/> | 11.1422 | <input type="checkbox"/> | 11.1423 |
| <input type="checkbox"/> | 11.1424 | <input type="checkbox"/> | 11.1425 |
| <input type="checkbox"/> | 11.1426 | <input type="checkbox"/> | 11.1427 |
| <input type="checkbox"/> | 11.1428 | <input type="checkbox"/> | 11.1429 |
| <input type="checkbox"/> | 11.1430 | <input type="checkbox"/> | 11.1431 |
| <input type="checkbox"/> | 11.1432 | <input type="checkbox"/> | 11.1433 |
| <input type="checkbox"/> | 11.1434 | <input type="checkbox"/> | 11.1435 |
| <input type="checkbox"/> | 11.1436 | <input type="checkbox"/> | 11.1437 |
| <input type="checkbox"/> | 11.1438 | <input type="checkbox"/> | 11.1439 |
| <input type="checkbox"/> | 11.1440 | <input type="checkbox"/> | 11.1441 |
| <input type="checkbox"/> | 11.1442 | <input type="checkbox"/> | 11.1443 |
| <input type="checkbox"/> | 11.1444 | <input type="checkbox"/> | 11.1445 |
| <input type="checkbox"/> | 11.1446 | <input type="checkbox"/> | 11.1447 |
| <input type="checkbox"/> | 11.1448 | <input type="checkbox"/> | 11.1449 |
| <input type="checkbox"/> | 11.1450 | <input type="checkbox"/> | 11.1451 |
| <input type="checkbox"/> | 11.1452 | <input type="checkbox"/> | 11.1453 |
| <input type="checkbox"/> | 11.1454 | <input type="checkbox"/> | 11.1455 |
| <input type="checkbox"/> | 11.1456 | <input type="checkbox"/> | 11.1457 |
| <input type="checkbox"/> | 11.1458 | <input type="checkbox"/> | 11.1459 |
| <input type="checkbox"/> | 11.1460 | <input type="checkbox"/> | 11.1461 |
| <input type="checkbox"/> | 11.1462 | <input type="checkbox"/> | 11.1463 |
| <input type="checkbox"/> | 11.1464 | <input type="checkbox"/> | 11.1465 |
| <input type="checkbox"/> | 11.1466 | <input type="checkbox"/> | 11.1467 |
| <input type="checkbox"/> | 11.1468 | <input type="checkbox"/> | 11.1469 |
| <input type="checkbox"/> | 11.1470 | <input type="checkbox"/> | 11.1471 |
| <input type="checkbox"/> | 11.1472 | <input type="checkbox"/> | 11.1473 |
| <input type="checkbox"/> | 11.1474 | <input type="checkbox"/> | 11.1475 |
| <input type="checkbox"/> | 11.1476 | <input type="checkbox"/> | 11.1477 |
| <input type="checkbox"/> | 11.1478 | <input type="checkbox"/> | 11.1479 |
| <input type="checkbox"/> | 11.1480 | <input type="checkbox"/> | |

Using the Guide

DOWNLOAD TV LISTINGS

You will see a message on your new *Guide Remote** display screen indicating you can download or update the Guide Listings in you remote.

Download New Data

Under these three conditions, you will see the *Download New Data* message on your remotes display screen.

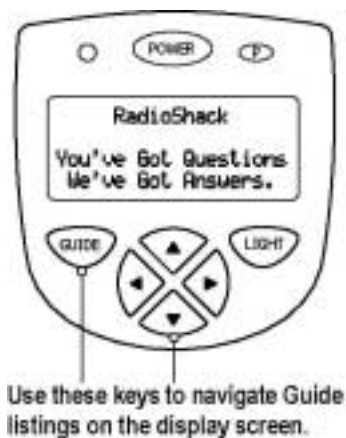
- New *Guide Remote* that has not been synced for the first time.
- *RemoteLinker II* cable is connected to *Guide Remote* and computer.
- The *RemoteLinker II* cable was unplugged from *Guide Remote* while Guide Listing update was in progress.

Establish an Internet connection then connect the *RemoteLinker II* cable to your PC and *Guide Remote* anytime you see this message to sync your remote.

UPDATING TV LISTINGS

Establish an Internet connection and connect the *RemoteLinker II* cable to your remote and PC at anytime to update your TV Listings.

NAVIGATING GUIDE SCREEN



Using the Guide

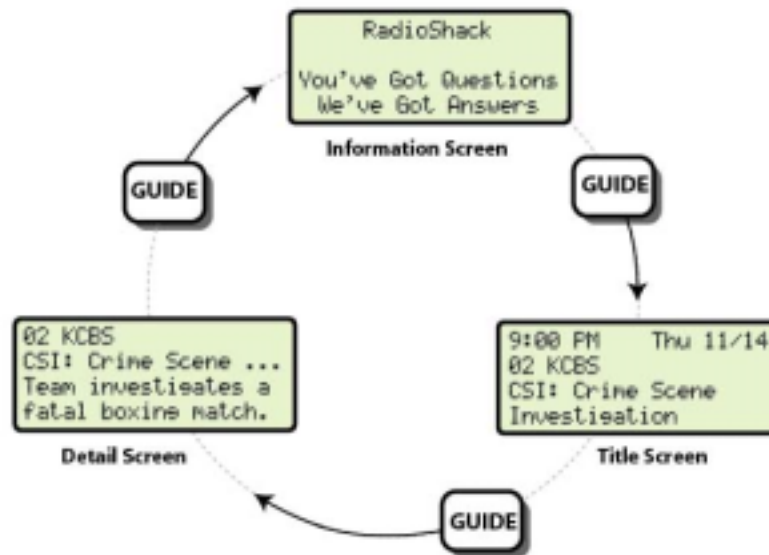
USING GUIDE KEY

Your *Guide Remote** contains two types of TV Listings, **Guide Listings** and **Program Details**. It also contains an **Information Screen**.

ACCESSING GUIDE SCREENS

1. Press the **GUIDE** key once to access the program **Title Screen**.
2. Press the **GUIDE** key a second time to the program **Detail Screen**.
3. Press the **GUIDE** key a third time to go to the **Information Screen**.

Continue to press of the **GUIDE** key to toggle to the next screen.



Use the navigation keys to scroll Up, Down, Left or Right, in each of the Guides and the Information screens for additional information.



Using the Guide

TITLE SCREEN

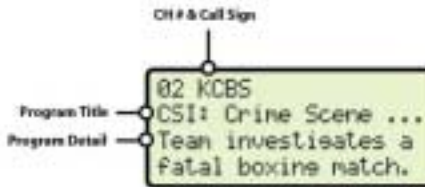
Personalize **TV Listings** of up to 7 days at the Web site and download them into your **Guide Remote**®. Below is an example of a typical screen you will see when scrolling through the **TV Listings**.



Press the **Left** and **Right** Arrows to view the **TV Listings** in previous or next half-hour timeslot. Press the **Up** and **Down** Arrows to view the **TV Listings** for additional shows in the channel lineup.

DETAIL SCREEN

The **Program Details** in your **Guide Remote** give you detailed information about the show you may want to watch. Get a brief description of show contents, channel number, station call sign and additional information on the display screen.



Press the **Left** and **Right** Arrows to view the **Program Details** of shows in the previous or next half-hour timeslot. Press the **Up** and **Down** Arrows to view the **Program Details** for additional shows in the channel lineup.

GUIDE EXPIRATION

Press and hold the **GUIDE** key to view the current time current day and date, and Guide expiration date.



Manufacturers' Codes

MANUFACTURERS' CODES

The following lists tell you which 4-digit codes to enter to set up the *Guide Remote™*.

Notes:

- The remote control might not have every command featured on your original remote controls.
- A key on the *Guide Remote* that has the same name may have a slightly different function.
- Some codes are very similar and may operate some but not all the desired functions as your original remote. Try different codes to attempt to locate one that operates most or all desired functions.

TV CODES

| Brand | Codes |
|-----------------|--|
| ADMIRAL | 0716, 0710, 0667, 0643, 0718, 0584, 0600, 0951, 0968 |
| ADVENT | 0716 |
| ADVENTURA | 0611 |
| AIKO | 0696 |
| AIWA | 0549, 0544, 0546 |
| AKAI | 0637, 0644, 0649, 0724, 0682 |
| ALLERON | 0584, 0600 |
| AMARK | 0961 |
| ANAM | 0600, 0591, 0950, 0944, 0961 |
| ANAM NATIONAL | 0668, 0636, 0600, 0682 |
| AOC | 0637, 0906, 0644, 0961, 0588, 0568, 0646 |
| APEX | 1073, 0707 |
| ARCHER | 0961 |
| AUDIOVOX | 0961, 0600, 0949 |
| AUDIO DYNAMICS | 0740 |
| BELCOR | 0644, 0906 |
| BELL AND HOWELL | 0584, 0710, 0716, 0600, 0642 |
| BLAUPUNKT | 0558, 0658 |
| BRADFORD | 0600 |
| BROCKWOOD | 0906, 0644 |

Manufacturers' Codes

| Brand | TV Codes |
|---------------|--|
| BROKSONIC | 0644, 0637, 0926, 0549, 0961, 0600, 0623 |
| CANDLE | 0637, 0644, 0611, 0560 |
| CAPEHART | 0646 |
| CARNIVALE | 0644 |
| CARVER | 0578, 0629, 0570 |
| CCE | 0579 |
| CELEBRITY | 0682 |
| CENTURION | 0644 |
| CETRONIC | 0600 |
| CITIZEN | 0576, 0959, 0644, 0637, 0906, 0586, 0611, 0696, 0560, 0600, 0905 |
| CLAIRTONE | 0588 |
| CLASSIC | 0600 |
| COLORTYME | 0644, 0906 |
| CONCERTO | 0637, 0644, 0906 |
| CONTEC/CONY | 0600, 0588 |
| CORONADO | 0639, 0959 |
| CRAIG | 0623, 0874, 0566, 0720, 0600, 0668 |
| CROSLEX | 0567 |
| CROWN | 0959, 0600 |
| CURTIS MATHES | 0720, 0710, 0605, 0644, 0906, 0959, 0586, 0643, 0629, 0642 |
| CXC | 0600 |
| DAEWOO | 0873, 0564, 0949, 0696, 0644, 0906, 0868, 0728, 0959, 0630, 0600, 0904, 0545 |
| DAYTRON | 0694, 0637, 0644, 0906, 0959, 0696, |
| DENON | 0716 |
| DUMONT | 0906, 1043 |
| DYNASTY | 0600 |
| DYNATECH | 0611, 0945 |
| ELECTROBAND | 0682, 0588 |
| ELECTROHOME | 0906, 0644, 0682, 0941, 0982 |
| EMERSON | 0694, 0567, 0623, 0874, 0566, 0720, 0644, 0906, 0676, 0718, 0549, 0803, 0576, 0593, 0588, 0959, 0620, 0600, 0584, 0561, 0896, 0902 |
| ENVISION | 0644 |
| FISHER | 0721, 0642, 0597, 0897 |

Manufacturers' Codes

| Brand | TV Codes |
|----------------|--|
| FORTRESS | 0716 |
| FUJITSU | 0584 |
| FUNAI | 0713, 0600, 0584 |
| FUTURETECH | 0600 |
| GE | 0200, 0704, 0200, 0636, 0626, 0667, 0644, 0566, 0582, 0643, 0645, 0682, 0624, 0607, 0937, 0948, 0960, 0965, 0969, 0547, 0968 |
| GIBRALTER | 1043, 0644, 0906 |
| GOLDSTAR | 0686, 0694, 0875, 0628, 0637, 0644, 0906, 0959, 0618 |
| GRISWOLD | 0069, 0592 |
| GRUNDY | 0600, 0584 |
| HALLMARK | 0644, 0906, 0584, 0623 |
| HAVARD | 0644, 0600, 0584, 0623 |
| HITACHI | 0724, 0555, 1072, 0694, 0708, 0644, 0906, 0819, 0581, 0898, 0563, 0959, 0620, 0637, 0599, 0621, 0909, 0967 |
| IMA | 0600 |
| INFINITY | 0629 |
| JANEIL | 0611 |
| JBL | 0629 |
| J.C. PENNEY | 0636, 0628, 0644, 0906, 0961, 0573, 0645, 0643, 0959, 0608, 0935, 0586, 0624, 0607 |
| JCB | 0682 |
| JENSEN | 0644, 0906, 0899 |
| JVC | 0722, 0551, 0670, 0603, 0645, 0985 |
| KAWASHO | 0644, 0906, 0682 |
| KAYPANI | 0646 |
| KEC | 0600, 0586 |
| KENWOOD | 0644, 0906 |
| KLOSS | 0611, 0644, 0612 |
| KLOSS NOVABEAM | 0612, 0611 |
| KMC | 0618 |
| KONKA | 0705 |
| KTV | 0697, 0694, 0713, 0715, 0600, 0720, 0644, 0576, 0579, 0588, 0959 |
| LINATECH | 0069, 0592 |
| LODGENET | 1043 |

Manufacturers' Codes

| Brand | TV Codes |
|-----------------|--|
| LOEWE | 0629 |
| LOGIK | 0710, 0600, 0623 |
| LUXMAN | 0637, 0644, 0906 |
| LXI | 0553, 0721, 0642, 0605, 0950, 0567, 0629, 0667, 0643, 0637, 0644, 0906, 0907, 0900 |
| MAGNASONIC | 0961, 0716, 0935, 0644, 0906, 0629, 0584, 0696 |
| MAGNAVOX | 0725, 0920, 0629, 0694, 0567, 0586, 0644, 0637, 0906, 0578, 0572, 0609, 0612, 0614, 0560 |
| MAJESTIC | 0710, 1043 |
| MARANTZ | 0629, 0578, 0572, 0644, 0906 |
| MEGATRON | 0961, 0724, 0644, 0906 |
| MEI | 0645, 0588 |
| MEMOREX | 0676, 0907, 0637, 0644, 0906, 0549, 0700, 0618, 0710, 0642 |
| MGA | 0563, 0700, 0644, 0906 |
| MIDLAND | 0645, 0643, 1043 |
| MINUTZ | 0624 |
| mitsubishi | 0557, 0644, 0637, 0906, 0629, 0700, 0958 0695, 0563, 0716, 0649, 0682, 0917, 0939, 0821 |
| MONTGOMERY WARD | 0578, 0582, 0572, 0634, 0629, 0614, 0609, 0710, 0644, 0637, 0906, 0718, 0624, 0607, 0694, 0567, 0568, 0584, 0642 |
| MOTOROLA | 0700, 0716, 0645, 0636, 0629, 0682 |
| MTC | 0637, 0644, 0906, 0630, 0588, 0586 |
| MULTITECH | 0579, 0600 |
| NAD | 0935, 0903, 0644, 0906 |
| NEC | 0912, 0557, 0644, 0637, 0906, 0682, 0570, 0962, 0552 |
| NIKEI | 0600 |
| NIKKO | 0696, 0644, 0906 |
| NTC | 0696 |
| ONKING | 0600 |
| ONWA | 0600 |
| OPTIMUS | 0600, 0700, 0584, 0718, 0642, 0903 |
| OPTONICA | 0716, 0718 |
| ORION | 0600, 0584, 0623, 1043 |
| PANASONIC | 0719, 0950, 0930, 0955, 0650, 0645, 0626, 0636, 0687, 0668, 0556, 0826, 0601, 0629, 0682 |
| PHILCO | 0694, 0644, 0906, 0567, 0629, 0578, 0609, 0612, 0614, 0560 |

Manufacturers' Codes

| Brand | TV Codes |
|----------------|--|
| PHILIPS | 0567, 0578, 0572, 0629, 0609, 0614, 0682, 0607, 0644, 0906, 0956 |
| PILOT | 0644, 0906 |
| PIONEER | 0747, 0727, 0903, 0605, 0626, 0620, 0644, 0906, 0651, 0963, 0964 |
| PORTLAND | 0693, 0644, 0959, 0906, 0696 |
| PRISM | 0645, 0636 |
| PROSCAN | 0703, 0550, 0582, 0592, 0643, 0634, 0620, 0608, 0906 |
| PROTON | 0961, 0622, 0959, 0644, 0906, 0646 |
| PULSAR | 1043, 0696, 0644, 0906 |
| QUASAR | 0826, 0715, 0636, 0626, 0930, 0687, 0668, 0650, 0645, 0682 |
| RADIOSHACK | 0695, 0720, 0721, 0642, 0667, 0643, 0637, 0644, 0906, 0861, 0959, 0639, 0718, 0600 |
| RCA | 0200, 0706, 0693, 0636, 0691, 0550, 0562, 0558, 0667, 0861, 0644, 0689, 0592, 0637, 0567, 0674, 0582, 0643, 0716, 0634, 0620, 0719, 0906, 0608, 0682, 0931 |
| REALISTIC | 0637, 0642, 0644, 0906, 0600, 0718 |
| RHAPSODY | 0588 |
| RUNCO | 0644, 1043, 0960, 0970, 0971, 0977, 0978 |
| SAMPO | 0644, 0646, 0906 |
| SAMSUNG | 0701, 0586, 0772, 0775, 0698, 0699, 0694, 0637, 0644, 0906, 0554, 0959, 0639, 0554 |
| SANSUI | 0676, 0456 |
| SANYO | 0721, 0642, 0597, 0571, 0644, 0906, 0901, 0943 |
| SCIMITSU | 0906 |
| SCOTCH | 644, 0906 |
| SCOTT | 0720, 0637, 0600, 0584, 0959, 0623, 0644, 0906 |
| SEARS | 0629, 0642, 0571, 0643, 0584, 0907, 0573, 0935, 0597, 0644, 0637, 0906 |
| SHARP | 0716, 0880, 0694, 0718, 0959, 0559, 0644, 0906, 0936, 0976, 1071 |
| SHOGUN | 0906, 0644 |
| SIGNATURE_2000 | 0722, 0566, 0710, 0716, 0906, 0643, 0629 |
| SIMPSON | 0644, 0578, 0560 |
| SONIC | 0588 |

Manufacturers' Codes

| Brand | TV Codes |
|-----------------|--|
| SONY | 0682, 0667, 0644, 0689, 0669, 0598, 0568, 0620, 0565, 0966, 0979, 0980 |
| SOUNDESIGN | 0600, 0644, 0906, 0560, 0584 |
| SPECTRACON | 0961, 0600, 0637, 0644, 0906 |
| SSS | 0906, 0644, 0600, 0623 |
| STARLITE | 0600, 0906, 0623 |
| SUPRE MACY | 0611, 0560 |
| SUPREME | 0682 |
| SYLVANIA | 0553, 0713, 0644, 0637, 0906, 0567, 0629, 0578, 0572, 0614, 0612, 0609, 0560 |
| SYMPHONIC | 0713, 0553, 0720, 0600, 0584 |
| TANDY | 0657, 0716, 0643, 0629, 0718 |
| TATUNG | 0636, 0961, 0645, 0682 |
| TECHNICS | 0645, 0636 |
| TECHNOL ACE | 0584 |
| TECHWOOD | 0637, 0644, 0906, 0961, 0645 |
| TEKNIKA | 0637, 0644, 0906, 0959, 0586, 0710, 0611, 0696, 0700, 0584, 0600, 0560, 0629 |
| TERA | 0622, 0906, 0644 |
| THOMSON | 0596, 0595 |
| TIME WARNER | 225 |
| TMK | 0637, 0644, 0906, 0623 |
| TOSHIBA | 0907, 0707, 0553, 0716, 0605, 0935, 0573, 0642, 0586 |
| TOSONIC | 0588 |
| TOTEVISION | 0959 |
| UNIVERSAL | 0643, 0624, 0607 |
| VECTOR RESEARCH | 0722, 0644 |
| VICTOR | 0722 |
| VIDEO CONCEPTS | 0649 |
| VIDTECH | 0724, 0567, 0637, 0644, 0906 |
| VIKING | 0611 |
| WEB TV | 0825 |
| YAMAHA | 0906, 0644 |
| YORK | 0644 |
| ZENITH | 0724, 0711, 0710, 0637, 0644, 0906, 0865, 0949, 0961, 1043, 0696, 0957 |
| ZONDA | 0961, 0773 |

Manufacturers' Codes

CABLE CODES

| Brand | Codes |
|--------------------------|---|
| ABC | 0227, 0231, 0239, 0250, 0617, 0995 |
| ALLEGRO | 0243, 0208, 0914 |
| ANTRONIX | 0243 |
| ARCHER | 0208, 0259, 0243, 0281, 0990 |
| BELLSOUTH | 0883 |
| CABLETENNA | 0259 |
| CABLEVIEW | 0259 |
| CENTURY | 0208 |
| CITIZEN | 0208, 0249 |
| CLEAR MAX | 0702 |
| COMCAST | 0238 |
| COMTRONICS | 0228, 0204 |
| COX | 0225, 0238 |
| CTX | 0208 |
| DIGITAL ENTERTAINMENT | 0501 |
| EAGLE COMTRONICS | 0228, 0996 |
| EASTERN | 0235 |
| ELECTRICORD | 0211 |
| EMERSON | 0295 |
| EVERQUEST | 0226, 0228 |
| EXPLORER | 0225 |
| GARRARD | 0208 |
| GC ELECTRONICS | 0215 |
| GE | 0272, 0267, 1006 |
| GEMINI | 0216, 0219, 0217, 0993, 0299, 0226, 0192, 0244 |
| GENERAL INSTRUMENT | 0238, 0187, 0248, 0226, 0195, 0196, 0192, 0244, 0250, 0229, 0231, 0194, 0266 |
| GOLDSTAR | 0228 |
| HAMILTON | 0188, 0189, 0198 |
| HAMLIN/REGAL | 198, 0191, 0236, 0240, 0202, 0201, 0277, 0230, 0189, 1000, 0188 |
| HARMON KARDON | 0213 |
| HITACHI | 0229, 0231 |

Manufacturers' Codes

| Brand | Cable Codes |
|--------------------|--|
| HITEX | 0227 |
| JASCO | 0208 |
| JERROLD | 0229, 0231, 0195, 0196, 0226, 0238, 0194, 0187, 0248, 0192, 0244, 0250, 0989, 1004 |
| KINGSTON | 0204, 0208, 0283 |
| MACOM | 256 |
| MAGNAVOX | 0991, 1009, 1010, 1003 |
| MEDIA ONE | 0238 |
| MEMOREX | 0797, 0914 |
| mitsubishi | 1013 |
| MOTOROLA | 0238 |
| MOVIE TIME | 0211, 0207, 0199 |
| NOVAPLEX | 0222, 0919 |
| NOVAVISION | 0224, 0233, 0239 |
| NSC | 0207, 0199, 0992, 1005 |
| OAK | 993, 0227, 0994, 0997 |
| OMEGA | 0226, 0228 |
| OPTIMUS | 504 |
| PANASONIC | 0197, 0294, 0210, 0914, 0998 |
| PARAGON | 0797, 0914 |
| PHILIPS | 0214, 0220, 0186, 1002 |
| PHILIPS | 0193, 0204, 0258, 0251, 0252, 0260, 0276 |
| PIONEER | 0214, 220, 0186, 1002 |
| POPULAR MECHANICS | 0471 |
| PULSAR | 0797, 0914 |
| RCA | 0197, 0294, 0496, 0492, 0498, 0867, 0503, 0494 |
| RECOTON | 1012 |
| REGAL | 0236, 0202, 0201, 0189, 0198 |
| REGENCY | 0235 |
| REMBRANDT | 0219 |
| RUNCO | 0797, 0914 |
| SAMSUNG | 0228 |
| SCIENTIFIC ATLANTA | 0224, 0233, 0239, 0997, 0999 |
| SIGNAL | 0228 |
| SIGNATURE | 0229, 0231 |

Manufacturers' Codes

| Brand | Cable Codes |
|----------------|--|
| SKYCABLE | 0918 |
| SL MARX | 0228 |
| SONY | 0234, 0998, 1011 |
| SPRUCER | 0197, 0294 |
| STD COMPONENTS | 0217 |
| STARCOM | 0226, 0187, 0192 |
| STARGATE | 0228, 0226, 0298 |
| STARQUEST | 0226 |
| STORM | 0885 |
| SYLVANIA | 0237 |
| TANDY | 0203 |
| TEKNIKA | 0255 |
| TELECATION | 0212 |
| TELEVIEW | 0228 |
| TEXSCAN | 0237, 0300 |
| TIME WARNER | 0225 |
| TOCOM | 0190, 0617, 0669, 0672 |
| TOSHIBA | 0914, 797 |
| TUSA | 0226 |
| TV86 | 0296 |
| U.S. WEST | 0813 |
| UNICA | 0259, 0243, 0208 |
| UNITED ARTISTS | 0227 |
| UNITED CABLE | 0994, 0997 |
| UNIVERSAL | 0211, 0230, 0294, 0277, 0208, 0218, 0259, 0243, 0281 |
| VIDEO WAY | 0265 |
| VIEW MASTER | 0278 |
| VIEWSTAR | 0204, 0209, 0205, 0203, 1007 |
| WEST | 0208 |
| YAMAHA | 0185 |
| ZENITH | 0221, 0247, 0298, 0914 |

Manufacturers' Codes

SATELLITE CODES

| Brand | Codes |
|--------------------------|---|
| ACCESS | 0922 |
| DIGITAL ENTERTAINMENT | 0501, 0194, 0506, 0928 |
| DIRECTV | 0497, 0493, 0849 |
| DISH NETWORK | 0502, 0825, 0888, 0890, 0267, 0282, 0297, 0511, 0825, 0895 |
| DRAKE | 0932 |
| ECHOSTAR | 0502, 0825, 0888, 0890, 0267, 0297, 0511, 0895 |
| BROCKWOOD | 0906, 0644 |
| GENERAL INSTRUMENT | 0506, 0194, 0501, 0928, 0913 |
| HUGHES | 0497, 0493, 0849 |
| MAGNAVOX | 0991, 1009, 1010, 1003 |
| MITSUBISHI | 1013 |
| MONTGOMERY WARD | 820 |
| OPTIMUS | 504 |
| PANASONIC | 0495 |
| PHILIPS | 0214, 0220, 0186, 1002, 0193, 0204, 0258, 0251, 0252, 0260, 0276, 0508 |
| PRIMESTAR | 0194, 0501, 0506, 0928 |
| RADIOSHACK | 0494 |
| RCA | 0197, 0294, 0496, 0492, 0498, 0867, 0503, 0494 |
| SAGEM | 0987 |
| SAMSUNG | 0228, 0509 |
| SONY | 0234, 0998, 1011, 0507, 0857, 0510 |
| TOSHIBA | 0500, 0496 |
| UNIDEN | 0505, 0504 |
| ZENITH | 0221, 247, 298, 0914, 0915 |

Manufacturers' Codes

VCR CODES

| Brand | Codes |
|-----------------|--|
| ADMIRAL | 0747, 0768, 0749, 0797, 0764, 0761 |
| ADVENTURA | 0820 |
| AIKO | 0545, 1053, 0868 |
| AIWA | 0834, 0837, 0549, 0820, 0808, 0796, 0546, 0544 |
| AKAI | 0780, 0744, 0847, 0743, 0787, 0762, 0737, 0815 |
| ALLEGRO | 0797 |
| AMERICAN HIGH | 0862, 0771, 0807 |
| ASHA | 0745, 1047 |
| AUDIO DYNAMICS | 0767, 0823, 1028, 0768 |
| AUDIOVOX | 0773, 0775 |
| BEAUMARK | 0745, 1047 |
| BELL AND HOWELL | 0797, 0855 |
| BROOKSONIC | 0785, 0810, 0768, 0764, 0549, 0761 |
| CALIXO | 0773 |
| CANDLE | 0773, 0775, 0823 |
| CANON | 0828, 0819, 1046, 1039, 0857, 0862 |
| CAPEHART | 0797, 1049 |
| CARVER | 0771 |
| CCE | 0545, 1053, 0868 |
| CITIZEN | 0785, 0868 |
| COLORTYME | 0823 |
| COLT | 0820 |
| CRAIG | 0731, 0818, 0745, 1047, 0856, 1021 |
| CURTIS MATHES | 0819, 1046, 1039, 0862 |
| CYBERNEX | 0745, 1047, 0805 |
| DAEWOO | 0545, 1053, 0868, 0854, 0855, 1051, 1052, 1023, 1022 |
| DAYTRON | 0797 |
| DBX | 0767, 0768 |
| DYNATECH | 0820 |
| ELECTROHOME | 0745, 1047, 0773, 1037 |
| ELECTROPHONIC | 0773 |
| EMERSON | 0803, 0814, 0820, 0929, 0785, 0773, 0760, 0764, 0763, 1065, 0829, 0847, 0768, 0734, 0862, 0868, 0765, 0761 |
| FISHER | 0774, 0736, 0731, 0833, 0855, 0856 |

Manufacturers' Codes

| Brand | VCR Codes |
|-----------------|--|
| FUNAI | 0820, 0868, 0747 |
| GARRARD | 0820 |
| GE | 0812, 0809, 0791, 0547, 0817, 0768, 0767, 0751, 0837, 0749, 0819, 0862, 1048, 1050, 1060 |
| GO VIDEO | 0745, 0781, 0756, 1057, 1059, 0842, 1062 |
| GOLDSTAR | 0823, 0775, 0552, 0773, 0868, 1056, 1024, 1064, 1026 |
| GRADIENTE | 0820 |
| GRISWOLD | 0841 |
| HARLEY DAVIDSON | 0820 |
| HARMON KARDON | 0775, 0740, 0552, 0813, 1031 |
| HARWOOD | 0820, 0734 |
| HAVARD | 0820 |
| HEADQUARTER | 0739, 1025, 0855 |
| HI-Q | 0731, 0856 |
| HITACHI | 0820, 0737, 0735, 0751, 0779, 0841, 0755, 0815, 0819, 0837, 0555 |
| INSTANT REPLAY | 0820, 0798, 0862, 0807 |
| INTEQ | 0773 |
| J.C. PENNEY | 0745, 0775, 0740, 0552, 0737, 1039, 0855, 0862 |
| JCL | 0807, 0862 |
| JENSEN | 0737, 0815 |
| JVC | 0769, 1032, 0737, 0815, 0838, 0551, 1038, 0788, 0732, 0758, 0855, 1035 |
| KEC | 0773, 0868 |
| KENWOOD | 0739, 1025, 0737, 0815, 0855 |
| KLH | 0820 |
| KODAK | 0924, 0819, 0773, 0862 |
| LINATECH | 0841 |
| LLOYD | 0820, 0553 |
| LOGIK | 0820, 0553 |
| LXI | 0773 |
| M. WARD | 0765, 0820, 0731, 0737, 0745, 0819, 0826, 0556, 0747, 0754, 0856 |
| MAGNASONIC | 0545, 1053, 0745, 0773, 0820, 0767, 0868 |
| MAGNAVOX | 0870, 0754, 0819, 0771, 0862, 0868, 1040 |
| MAGNIN | 0745, 1047 |
| MARANTZ | 0775, 0771, 0732, 0855, 0862, 1041, 0807 |

Manufacturers' Codes

| Brand | VCR Codes |
|------------|--|
| MARTA | 0773 |
| MASUSHITA | 0924, 0747, 0819, 0771, 0862 |
| MEI | 0819, 0862 |
| MEMOREX | 0755, 0773, 0731, 0833, 0808, 0797, 0819, 0826, 0556, 0747, 0820, 0832, 0855, 0856, 0862, 1058, 1047 |
| MGA | 0835, 0847, 0846, 0819 |
| MINOLTA | 0737, 0841 |
| MITSUBISHI | 0813, 0784, 0762, 0835, 0847, 1033, 0819, 0821, 0917, 0700 |
| MTC | 0745, 1047, 0820 |
| MULTITECH | 0820 |
| NAD | 0839, 0545 |
| NEC | 0737, 0730, 0775, 0740, 0552, 0855, 0815, 0845 |
| NECKERMANN | 0760 |
| NIKKO | 0773 |
| NIKON | 0753, 1036 |
| NOBLEX | 0745 |
| OPTIMUS | 0862, 0820, 0774, 0773, 0739, 1025, 0731, 0745, 1047, 0833, 0747, 0826, 0789, 0556, 0819, 0855, 0856 |
| OPTONICA | 0742, 0747, 0826, 0556 |
| ORION | 0785, 0868, 0814 |
| PANASONIC | 0782, 0924, 0747, 0799, 0819, 1046, 0757, 0777, 0826, 0556, 1066, 0862 |
| PENTAX | 0737, 0841, 0837, 0751 |
| PHILCO | 0819, 0862 |
| PHILIPS | 0844, 1042, 0923, 0771, 0819, 0862 |
| PILOT | 0773 |
| PIONEER | 0839 |
| PRIMESTAR | 0812 |
| PROSCAN | 0749, 0550 |
| PROTEC | 0820 |
| PULSAR | 0797 |
| QUARTER | 0739, 1025 |
| QUARTZ | 0739, 1025, 0855, 0790 |
| QUASAR | 0556, 0826, 0556, 0836, 0819, 0778, 0799 |
| RADIOSHACK | 0924, 0747, 0820, 0826, 0556, 0819, 0739, 1025, 0745, 1047, 0773, 0855, 0861, 0862 |

Manufacturers' Codes

| Brand | VCR Codes |
|-------------|--|
| RADIX | 0773 |
| RANDEX | 0773 |
| RCA | 0817, 0893, 0879, 0812, 0809, 0737, 0841, 0547, 0757, 0792, 0767, 0754, 0777, 0751, 0819, 0749, 0837, 0862, 0768, 0931, 0766 |
| REALISTIC | 0820, 0774, 0773, 0739, 0731, 0745, 0833, 0819, 0826, 0556, 0924, 0747, 0855, 0856 |
| RICOH | 0753, 1036 |
| RUNCO | 0797, 0753, 1036, 1061 |
| SAMSUNG | 0745, 0780, 0744, 0554, 0840, 0854, 1027, 1052, 1054, 1055, 0805 |
| SANSUI | 0818, 0737, 0815, 0845 |
| SANYO | 0833, 0739, 1025, 0731, 0855, 0856 |
| SCHNEIDER | 0755 |
| SCOTT | 0765, 0764, 0768, 0854, 0761 |
| SEARS | 0804, 0819, 1046, 1039, 0774, 0773, 0736, 0739, 1025, 0731, 0737, 0833, 0841, 0855, 0856, 0862, 1044 |
| SHARP | 0924, 0747, 0933, 0826, 0556 |
| SHINTOM | 0820 |
| SHOGUN | 0745 |
| SIGNATURE | 0820, 0805 |
| SINGER | 0745, 0773, 0924, 0747, 0820, 0862 |
| SONY | 0822, 0819, 0752, 0786, 0755, 0753, 0752, 0851, 0794, 0800, 0793, 0786, 1034, 0776, 0759, 0802 |
| STS | 0737, 0862 |
| SYLVANIA | 0819, 0835, 0862 |
| SYMPHONIC | 0820 |
| TANDY | 0820, 0855 |
| TASHIKO | 0785 |
| TATUNG | 0737, 0815 |
| TEAC | 0737, 0848, 0815, 0820 |
| TECHNICS | 0819, 0862 |
| TEKNIKA | 0773, 0784, 0831, 0819, 0820, 0862 |
| TIME WARNER | 0820 |
| TIVO | 0850, 0849, 0759, 0844 |
| TMK | 0760 |
| TOSHIBA | 0765, 1045, 0774, 0835, 0854, 0927, 0784, 1030 |

Manufacturers' Codes

| Brand | VCR Codes |
|-----------------------|--|
| TOTEVISION | 0773, 0745, 1047 |
| UNITECH | 0745, 1047 |
| VECTOR RESEARCH | 0775, 0740, 0552 |
| VICTOR | 0838, 0854 |
| VIDEO CONCEPTS | 0775, 0740, 0552, 0847, 0854 |
| VIDEOSONIC | 0745, 1047 |
| WEBTV | 0825 |
| WHITE WESTINGHOUSE | 0820 |
| YAMAHA | 0855, 0775, 0740, 0552, 0737, 0848, 0815 |
| ZENITH | 0773, 0755, 0753, 1036, 0797, 1043 |
| ZONDA | 773 |

Manufacturers' Codes

DVD CODES

| Brand | Codes |
|-------------------|--|
| AIWA | 465 |
| APEX | 0455, 0467, 0449, 0437, 0921, 0454, 0461, 0485, 1067, 1068, 1069, 1070 |
| BOSE | 0489 |
| BROOKSONIC | 0925, 0456, 0925 |
| CALIFORNIA AUDIO | 0445 |
| CARY | 0459 |
| CONCEPT | 0460, 0877 |
| DAEWOO | 0884 |
| DENON | 0477, 0472, 0478, 0439, 0452, 0481, 0482, 0444, 0884 |
| FISHER | 0445 |
| FUNI | 1019 |
| GE | 0441, 0450 |
| GOLDSTAR | 0475 |
| GOVIDEO | 0881 |
| HARMON KARDON | 0468 |
| HITACHI | 0447 |
| JVC | 0454, 0461, 0485 |
| KENWOOD | 0480 |
| KLH | 0448 |
| KYOCERA | 0439, 0452, 0481, 0482 |
| LASONIC | 0484 |
| M. WARD | 0820 |
| MAGNAVOX | 0435, 0477, 0472, 0478, 0870, 0463 |
| MITSUBISHI | 0477, 0472, 0478, 0470 |
| MYRYAD | 0466 |
| NAD | 0477, 0472, 0478 |
| ONKO | 0488 |
| OPTIMUS | 0474 |
| ORITRON | 0457 |
| PANASONIC | 0439, 0452, 0481, 0482, 0445, 0483, 0479, 1020, 0486, 0477, 0472, 0478, 0434, 0886, 0869 |
| PHILIPS | 0435, 0463, 0870 |
| PIONEER | 0458, 0453, 0477, 0472, 0478, 1014 |
| POPULAR MECHANICS | 0471 |

Manufacturers' Codes

| Brand | DVD Codes |
|---------------|--|
| PROSCAN | 0450, 441 |
| QUASAR | 0445 |
| RCA | 0894, 0878, 0450, 0441, 0440, 0477, 0472, 0478 |
| REALISTIC | 0474 |
| ROWA | 0490 |
| SAMSUNG | 0464, 0447, 1016 |
| SANSUI | 0456 |
| SANYO | 0476, 0436, 0827 |
| SHARP | 0480, 0491, 0986 |
| SONY | 0443, 1018, 0469, 1015, 0464, 0827 |
| SYLVANIA | 0487 |
| TEAC | 0438, 0871, 0872, 0882 |
| TECHNICS | 0445, 0483, 0479, 1020 |
| THETA DIGITAL | 0435, 0870 |
| THOMPSON | 0441, 0450 |
| TOSHIBA | 0456, 0925, 0451, 0477, 0472, 0478, 0480, 892 |
| YAMAHA | 0462, 0473, 0471, 0439, 0452, 0481, 0482 |
| ZENITH | 0475 |

Manufacturers' Codes

PVR CODES

| Brand | Codes |
|---------------------|------------|
| TIVO | 0850 |
| HUGHES / TIVO | 0849 |
| PHILLIPS / TIVO | 0844 |
| SONY / TIVO | 0759, 0776 |
| SONY SATELLITE/TIVO | 0776 |
| REPLAYTV | 0782, 0807 |
| PRIDYWAVE | 0836 |

VIDEO ON DEMAND CODES

| Brand | Codes |
|--------------|-------|
| SONY DIGITAL | 0234 |
| BELL SOUTH | 0883 |
| TIME WARNER | 0225 |

DVD/VCR COMBO CODES

| Brand | Codes |
|-----------|----------------------------|
| SYLVANIA | 0820, 0487 |
| SYMPHONIC | 0820, 0487 |
| SAMSUNG | 0446 VOL+ = DVD, VOL-= VCR |

MISCELLANEOUS CODES

| Brand | Codes |
|-----------------|-------|
| SHARP PROJECTOR | 0662 |
| SONY PROJECTOR | 0663 |
| X10 | 1063 |
| WEB TV | 0825 |

Troubleshooting

The Display is blank

- Make sure fresh batteries are properly installed.

Devices do not respond to commands

- Make sure the remote is in the correct mode.
- The battery power may be too low. Replace all old batteries with new ones.
- The remote may not be pointed in the direction of the device. Point the remote directly at the desired device.
- The device may be too far away from the remote. Move to within 30 feet of the device.
- Something may be blocking the communication between the remote and the device. Check for objects that might be blocking the signal from the remote.
- Make sure the device you are trying to operate is an IR-compatible and is working properly by using the original remote control.

Syncing

I cannot sync the remote

- Make sure you are connected to the Internet before syncing the remote.
- Make sure that the *RemoteLinker II* cable is properly connected to the remote and the computer before syncing the remote.

If you have any other problems contact customer service at 949-450-1670.

FAQ'S

FREQUENTLY ASKED QUESTIONS

Why are the program titles and descriptions old in my remote?

- The **Guide Remote*** stores up to seven days of TV Listings. If you have not downloaded the listings in more than seven days expired program titles and listings will appear in your remote. Updated program titles will appear again in your remote after you sync your remote.

Why can I not get a full seven-day Guide in my remote?

- Some digital cable and satellite systems have hundreds of channels. Unless you remove some from your listings, you may receive less than a full seven days of listings. Reduce the number of channels in your lineup in the **Settings** section on your homepage
- If you elected to download Guide Listings for *All Day* everyday, Sunday thorough Saturday, you may receive less than a full seven days of listings. Increase the number of days of Guide Listings by electing not to download listings for parts of the day that you do not watch TV. Remove one or more day-parts in the **Settings** section on your homepage.
- If you elected to download **Program Descriptions** into your remote, and have a large channel lineup, you may receive less than a full seven days of listings. Try turning off the **Program Descriptions** option in the **Settings** section on your homepage.

How often should I sync my remote to update my TV Listings?

- We recommend that you sync your remote at least once a week. This ensures you have up-to-date Guide Listings in your remote.

Can the **Guide Remote** support TV listings for satellite systems?

- Yes, the **Guide Remote** supports TV Listings for satellite systems such as DirecTV, Dish, Bell ExpressVu, etc.
- The **Guide Remote** does not support listings for C-band satellite systems.

Can I download TV listings for my cable and satellite system at the same time into my **Guide Remote**?

- The **Guide Remote** can only support Guide listings for one service type at a time. You cannot download both into your remote simultaneously.

Will the **Guide Remote** work with my cable system?

Yes, the **Guide Remote** supports Guide listings for cable systems.

FAQ'S

How do I update my email address?

- On the Web site, log into the *Members* section.
- Click on *Settings*.
- In *Settings*, click on *Change* next to *Login Information*.
- Enter your new User Name (email address) and click *Update*.
- We will automatically send you an email at your new address. Go to your email and click on the link inside the email to finalize the change.

What kind of computer system do I need in order to use the Guide Remote?

To use the *Guide Remote*, you should meet the following requirements:

- A PC running Windows 98SE, ME, 2000 or XP.
- Internet Explorer 5.0+, Netscape 4.0+ or AOL 5.0+ Web Browser (Note: Microsoft Internet Explorer 5.0+ *must* be installed on your computer even if it is not your default browser, because *RemoteLinker* uses resource files provided only with Internet Explorer.)
- One available USB port
- A CD ROM drive
- At least 5 MB free hard disk space
- At least 8 MB RAM
- An active connection to the Internet

Why can't I complete a Guide Remote sync on my Windows ME/98SE/2000/XP system?

RemoteLinker has been successfully tested on all of the above-mentioned operating systems. This software was specifically designed to use the USB drivers supplied by Microsoft in each operating system and does not install drivers for you. Reliability is assured if the following three conditions are met:

- The system meets the minimum system requirements listed in this FAQ.
- The operating system and all of the USB drivers were properly installed without errors.
- The system anti-virus software was disabled during the *RemoteLinker* software installation/uninstallation.

Please use the Windows Update feature for your PC; particularly for the core, hardware driver and Internet Explorer patches that Microsoft provides. If you still experience difficulty syncing your *Guide Remote*, please contact customer service at 949-450-1670.

Specifications

SPECIFICATIONS

| | |
|----------------------------------|--|
| Display Screen | 2.1 in x 0.7 in (53 mm x 18 mm) |
| Power | (4) AA Batteries |
| Dimensions (HWD) | 2.8 in x 8.1 in x 1.4 in (71 mm x 206 mm x 36 mm) |
| Weight (Without Batteries) | 6 oz (170 g) |
| USB Cable | 6 ft (1.8 m) |
| Operating Temperature | 5°C (41°F) to 45°C (113°F) |
| Storage Temperature | 0°C (32°F) to 55°C (131°F) |

DECLARATION OF CONFORMITY

We, the Responsible Party

RadioShack Corporation
200 Taylor Street Suite 600
Fort Worth, Texas

DECLARE THAT THE PRODUCT

GUIDE REMOTE
Model Number: 15-2130

is in conformance with Part 15 of the FCC Rules. Operation of this product is subject to the following two conditions (1) this device may not cause harmful interference, and (2) this device must accept any interference received, including interference that may cause undesired operation.

For Home or Office Use

Warranty

Limited Ninety-Day Warranty

RadioShack warrants this product against manufacturing defects in material and workmanship under normal use for ninety (90) days from the date of purchase from RadioShack company-owned stores and authorized RadioShack franchisees and dealers. EXCEPT AS PROVIDED HEREIN, RadioShack MAKES NO EXPRESS WARRANTIES AND ANY IMPLIED WARRANTIES, INCLUDING THOSE OF MERCHANTABILITY AND FITNESS FOR A PARTICULAR PURPOSE, ARE LIMITED IN DURATION TO THE DURATION OF THE WRITTEN LIMITED WARRANTIES CONTAINED HEREIN. EXCEPT AS PROVIDED HEREIN, RadioShack SHALL HAVE NO LIABILITY OR RESPONSIBILITY TO CUSTOMER OR ANY OTHER PERSON OR ENTITY WITH RESPECT TO ANY LIABILITY, LOSS OR DAMAGE CAUSED DIRECTLY OR INDIRECTLY BY USE OR PERFORMANCE OF THE PRODUCT OR ARISING OUT OF ANY BREACH OF THIS WARRANTY, INCLUDING, BUT NOT LIMITED TO, ANY DAMAGES RESULTING FROM INCONVENIENCE, LOSS OF TIME, DATA, PROPERTY, REVENUE, OR PROFIT OR ANY INDIRECT, SPECIAL, INCIDENTAL, OR CONSEQUENTIAL DAMAGES, EVEN IF RadioShack HAS BEEN ADVISED OF THE POSSIBILITY OF SUCH DAMAGES.

Some states do not allow limitations on how long an implied warranty lasts or the exclusion or limitation of incidental or consequential damages, so the above limitations or exclusions may not apply to you.

In the event of a product defect during the warranty period, take the product and the RadioShack sales receipt as proof of purchase date to any RadioShack store. RadioShack will, at its option, unless otherwise provided by law: (a) correct the defect by product repair without charge for parts and labor; (b) replace the product with one of the same or similar design; or (c) refund the purchase price. All replaced parts and products, and products on which a refund is made, become the property of RadioShack. New or reconditioned parts and products may be used in the performance of warranty service. Repaired or replaced parts and products are warranted for the remainder of the original warranty period. You will be charged for repair or replacement of the product made after the expiration of the warranty period.

This warranty does not cover: (a) damage or failure caused by or attributable to acts of God, abuse, accident, misuse, improper or abnormal usage, failure to follow instructions, improper installation or maintenance, alteration, lightning or other incidence of excess voltage or current; (b) any repairs other than those provided by a RadioShack Authorized Service Facility; (c) consumables such as fuses or batteries; (d) cosmetic damage; (e) transportation, shipping or insurance costs; or (f) costs of product removal, installation, set-up service adjustment or reinstallation.

This warranty gives you specific legal rights, and you may have other rights, which vary from state to state.

RadioShack Customer Relations,
200 Taylor Street, 6th Floor,
Fort Worth, TX 76102

Free Manuals Download Website

<http://myh66.com>

<http://usermanuals.us>

<http://www.somanuals.com>

<http://www.4manuals.cc>

<http://www.manual-lib.com>

<http://www.404manual.com>

<http://www.luxmanual.com>

<http://aubethermostatmanual.com>

Golf course search by state

<http://golfingnear.com>

Email search by domain

<http://emailbydomain.com>

Auto manuals search

<http://auto.somanuals.com>

TV manuals search

<http://tv.somanuals.com>