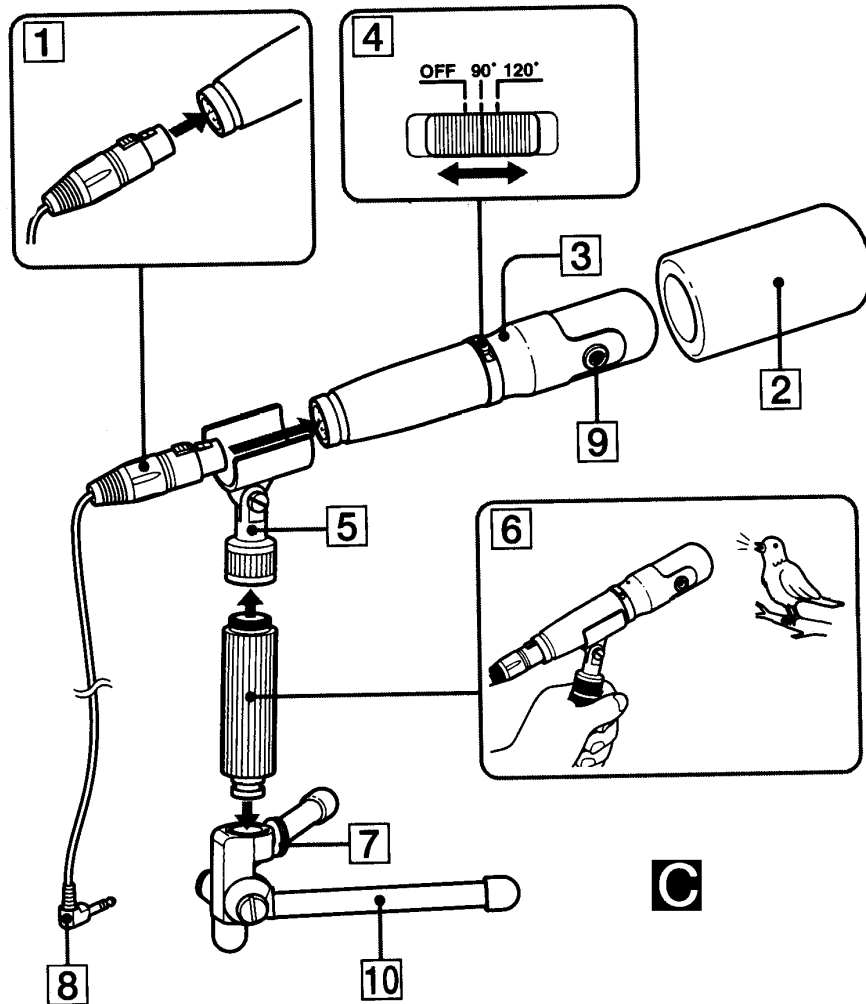
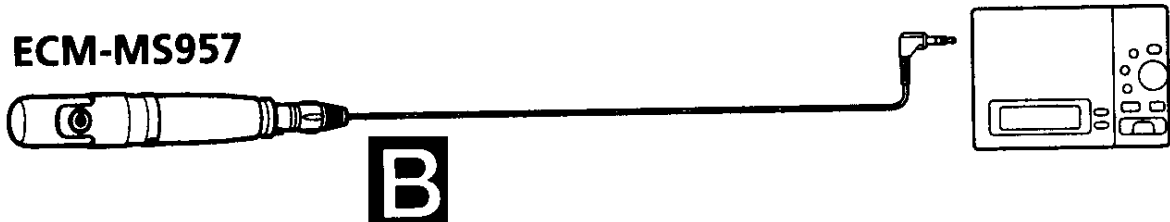
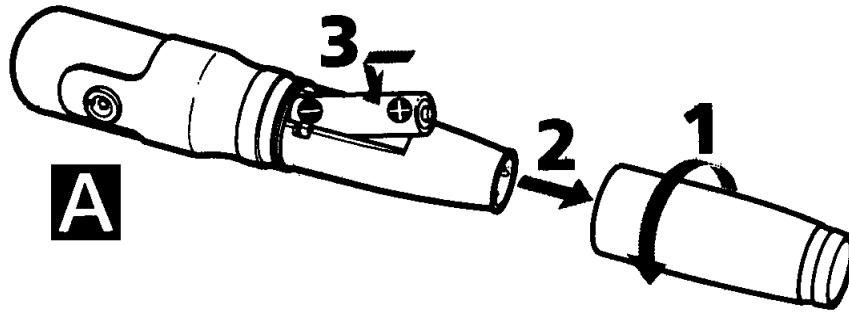
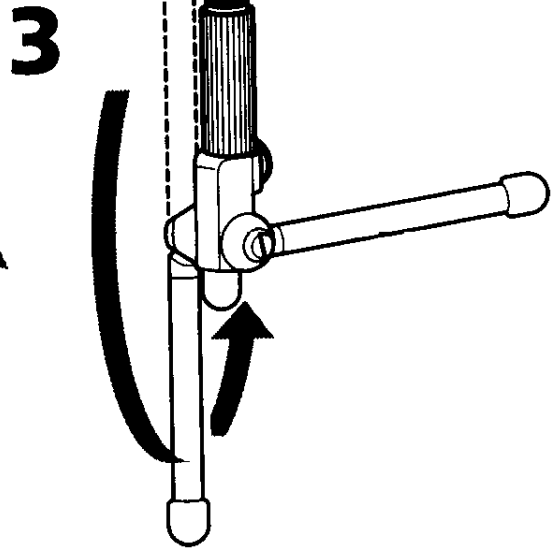
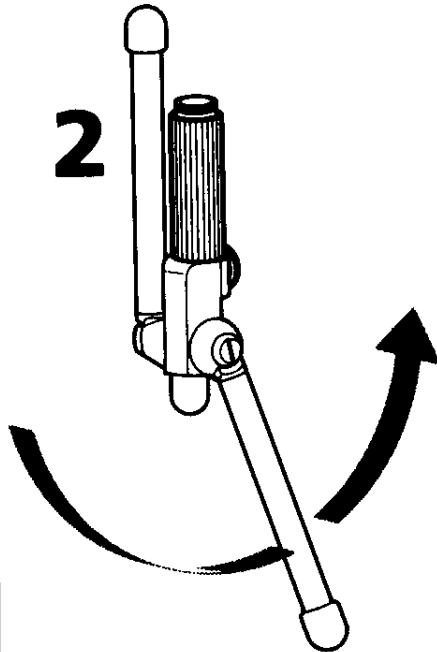
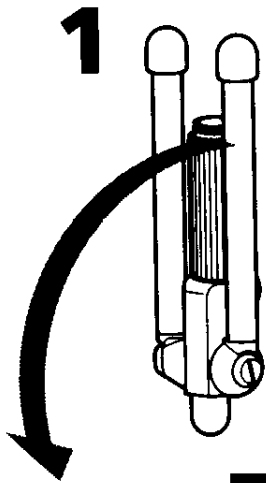
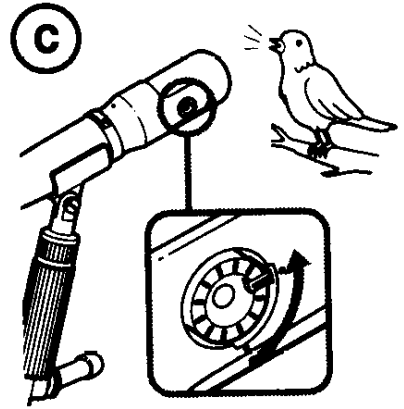
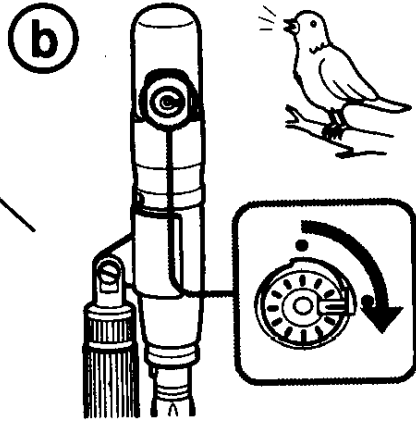
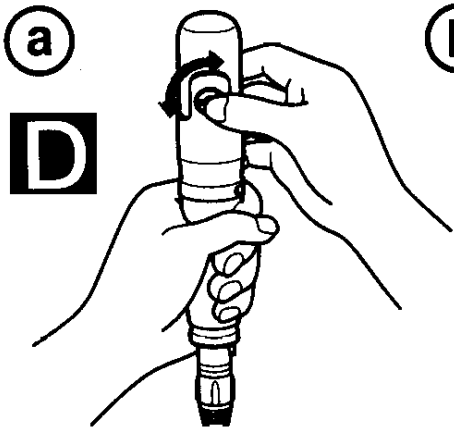


# Sony Electret Condenser Stereo Microphone Operating Instructions (ECM-MS957)





**E**

## **Installing the battery (See fig. A)**

1. Turn the grip counter-clockwise.
2. Pull out the grip to open the battery compartment.
3. Insert a new R6 (size AA) battery.

## **Battery Life**

When the power is turned on, the battery check indicator lights momentarily. When the battery becomes weak, the indicator remains dimly lit or does not light at all. In this case, replace the battery with a new one.

The Sony R6P(SR) manganese battery gives continuous operation of the microphone for about 2,000 hours.

## **Notes on Battery**

To avoid damage to the unit from leakage and corrosion;

- Be sure to match the + and - on the battery with the same marks on the battery compartment.
- Do not try to recharge battery.
- Remove the battery if the microphone is not to be used for a long period of time.

In case of battery leakage, wipe off any deposit in the battery compartment before installing a new battery.

## **Connection (See fig. B)**

Connect the L-shaped stereo mini-plug to the MIC jack of your recording equipment (MD, DAT, etc.) as illustrated in fig. B

## **Parts Identification and Uses (See fig. C)**

### **1. Connector**

Insert the connector in until it clicks. Remove the connector by pressing the button.

### **2. Wind Screen**

Attach in order to reduce wind or breathing noise.

### **3. Battery Check Indicator**

When the power/directive angle switch is turned from OFF to ON, this indicator lights momentarily. When the battery becomes weak, the indicator remains dimly lit or does not light at all. In this case, replace the battery with a new one.

### **4. Power/Directive Angle Switch**

Set the switch according to the sound source.

**OFF** Turns power off.

**90°** Use to pick up a relatively narrower sound source (instrumental solo, birds or insects' chirp, etc.)

**120°** Use to pick up a relatively wider sound source (orchestra, chorus, train, car race, etc.)

The above gives guidelines for selecting the appropriate angle. Although following those guidelines is encouraged, you can freely choose either angle according to your own preference.

## **5. Microphone Holder**

You can also connect to a microphone stand (PF 1/2) (optional).

## **6. Grip**

As shown in the illustration, it can be used as a handy microphone. Loosen the screw and detach the grip from the microphone stand.

## **7. Screw**

Tighten the screw after setting the direction of the microphone.

## **8. L-shaped Stereo Mini-plug**

Connect to the MIC jack of your recording equipment (DAT, MD, NT, etc.)

## **9. Turning Capsule Button (See fig. D)**

(a) Set the turning capsule button according to the direction of the sound source. As shown in the illustration, set the microphone head toward the sound source by pressing the turning capsule button.

(b) Using the microphone vertically This position makes a more accurate sound pick-up. Use this position after monitoring and adjusting the sound quality of your recording equipment.

(c) Using the microphone horizontally This position makes for a successful sound pick-up without any fine adjustments.

## **10. Microphone stand (See fig. E)**

As shown in the illustration, spread out the legs to use the stand.

## **Features**

This microphone is suitable for use in a variety of situations such as at concerts or conferences with digital recording equipment (Sony DAT, MD, NT(Digital Microcorder), etc.).

- The turning capsule function allows both vertical and horizontal sound pickup.
- The Mid-Side Stereo System provides a natural sound pick up, delivering a stereo sound image with superb clarity.
- The directive angle (between left and right channels) can be set to 90° or 120° according to the sound source.

## **Precautions**

- The microphone should never be dropped or subjected to strong shock.
- Keep the microphone away from areas with extremely high temperatures and humidity (above 60°C or 140°F).
- If the microphone is placed near loudspeakers, an acoustic feedback (howling effect) may occur. If this happens, place the microphone as far away as possible from the loudspeakers, change the direction of the microphone or decrease the speaker volume until the howling stops.

## **Specifications**

### **General**

#### **Type:**

One-point stereo (employing the Mid-side stereo system), electret condenser microphone

#### **Microphone Cord:**

4 mm diameter, two core-shielded OFC (Oxygen- free copper) cord with Canon XLR-5-12C type connector and gold plated L-shaped stereo mini-plug

#### **Stand Screw:**

PF 1/2 screws

#### **Dimensions:**

Approx. 40 x 183 mm (diameter x length) (1 5/8 X 7 1/4 in.), projecting parts and controls not included.

#### **Mass:**

Approx. 330 g (11.7 oz.) including battery and cord

#### **Supplied accessories:**

Wind screen (1)

Microphone holder (PF 1/2 screw ) (1)

Microphone stand (1)

Carrying case (1)

## Performance

### Frequency Response

50 -18,000 Hz

### Directivity:

Unidirectional x 2 (Directive angle: 90° or 120°) (switchable)

### Output Impedance:

600ohm + 30% unbalanced

### Sensitivity (directive angle 120°)

Open circuit output voltage \*1:  $-42 \pm 3$  dB

Effective output level \*2:  $-45.8 \pm 3$  dBm

Difference between L and R channel sensitivity: Less than 3dB

### Power Requirements:

Normal operating voltage: 1.5 V, R6 (Size AA) battery

Minimum operating voltage: 1.1 V, R6 (Size AA) battery

Battery life: Approx. 2,000 hours with Sony R6P (SR) battery

### Maximum Sound Pressure Level Input \*3

More than 115 dB SPL

### Dynamic Range

More than 90 dB

### Operating Temperature Range

0°C - 40°C (32°F -104tF)

\*1 0dB = 1 v/Pa, 1,000Hz (1 pa = 10  $\mu$ bar = 94 dBsPL)

\*2 0 dBm = 1 mW/Pa, 1,000Hz

\*3 1% wave distortion at 1,000Hz. (0 dBsPI =  $2 \times 10^{-5}$  pa)

## Free Manuals Download Website

<http://myh66.com>

<http://usermanuals.us>

<http://www.somanuals.com>

<http://www.4manuals.cc>

<http://www.manual-lib.com>

<http://www.404manual.com>

<http://www.luxmanual.com>

<http://aubethermostatmanual.com>

Golf course search by state

<http://golfingnear.com>

Email search by domain

<http://emailbydomain.com>

Auto manuals search

<http://auto.somanuals.com>

TV manuals search

<http://tv.somanuals.com>