

Connection: Speaker Placement

1 Center Speaker:

Positioned on top or below the TV set.

2 Front Speaker:

Positioned on both sides of the TV with equal distances away from the TV.

3 Rear Speaker:

Positioned beside or slightly behind your favorite viewing position. The height should be a little above your ear level.

4 Subwoofer:

Can be positioned anywhere but preferably near a wall in the front.

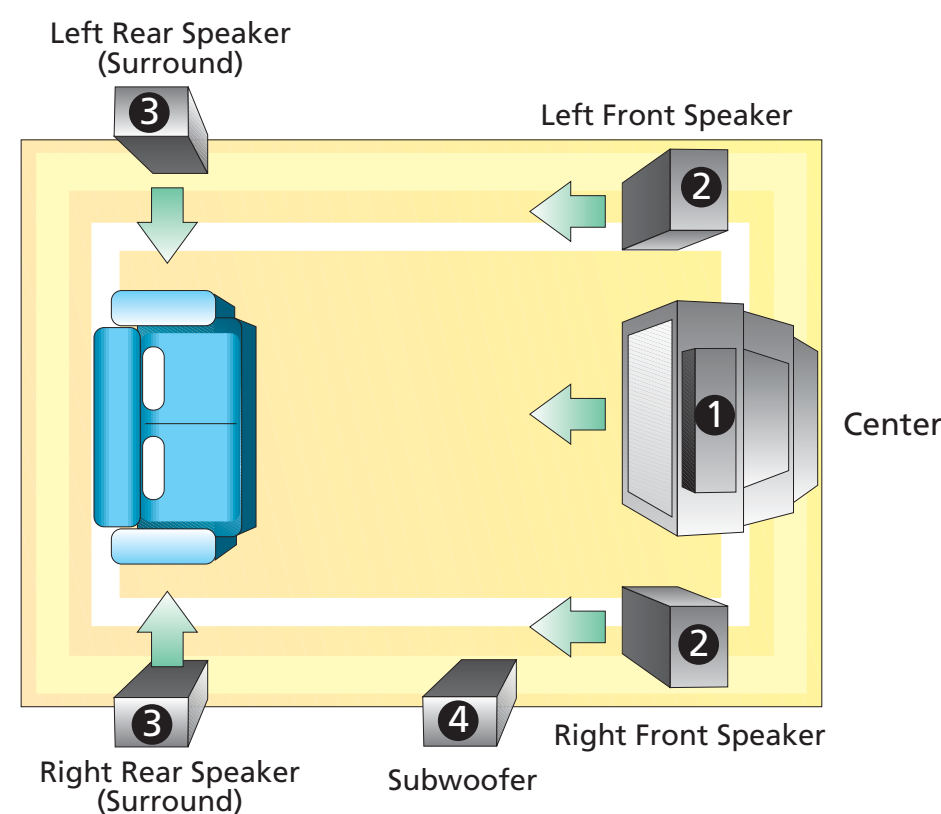
NOTE:

For effective SURROUND effect, rear speakers need to be located beside or behind your listening position.

Advanced Set Up:

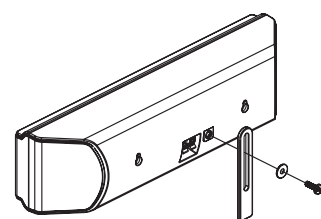
For more details on speaker placement, please refer to the manual chapter "Positioning Your Speaker".

For optimized performance, please follow the recommendations and illustration.

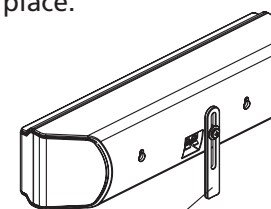


Center Speaker Support Stand (Optional)

1. Secure the support rod in place using the screw and washer provided as illustrated below.



2. Move the TV support rod up and down as illustrated to adjust the height of the stand. Tighten the screw to fix the support rod in place.



Adjust Up and down with reference to TV

THOMSON

THOMSON
46, quai Alphonse Le Gallo
92648 Boulogne
Cedex FRANCE
55987210 (EN)
www.thomson.net

THOMSON

Quick Connect Guide

This guide will help you to set up your system through several illustrations.

DPL590HT

EN

Connection: Speakers and FM Antenna

Speaker

- Match the speaker wire color to the speaker / receiver terminals as shown on the illustration.
- Match the speaker to the correct terminal on the receiver (example: left speaker to left speaker terminal on receiver)

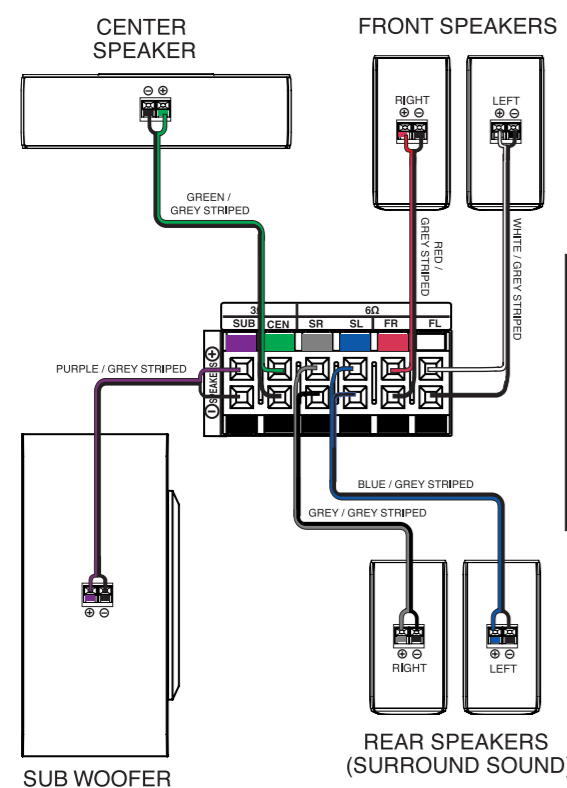
NOTE:

- The color of the wire should be the same as that on the terminals.
- Connect the striped color wire to the "-" terminal (both speaker and receiver)

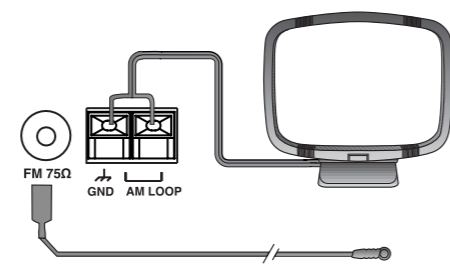
For details, please refer to **Instruction manual chapter "Connecting the Speakers"**.

Follow the illustration and instructions provided to hook up your speakers.

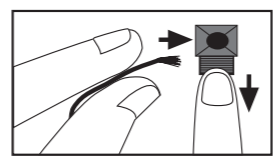
SPEAKER HOOK-UP



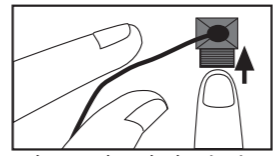
ANTENNA HOOK-UP



Antenna and Speaker Wire Connection



Push terminal tab down to insert wire.



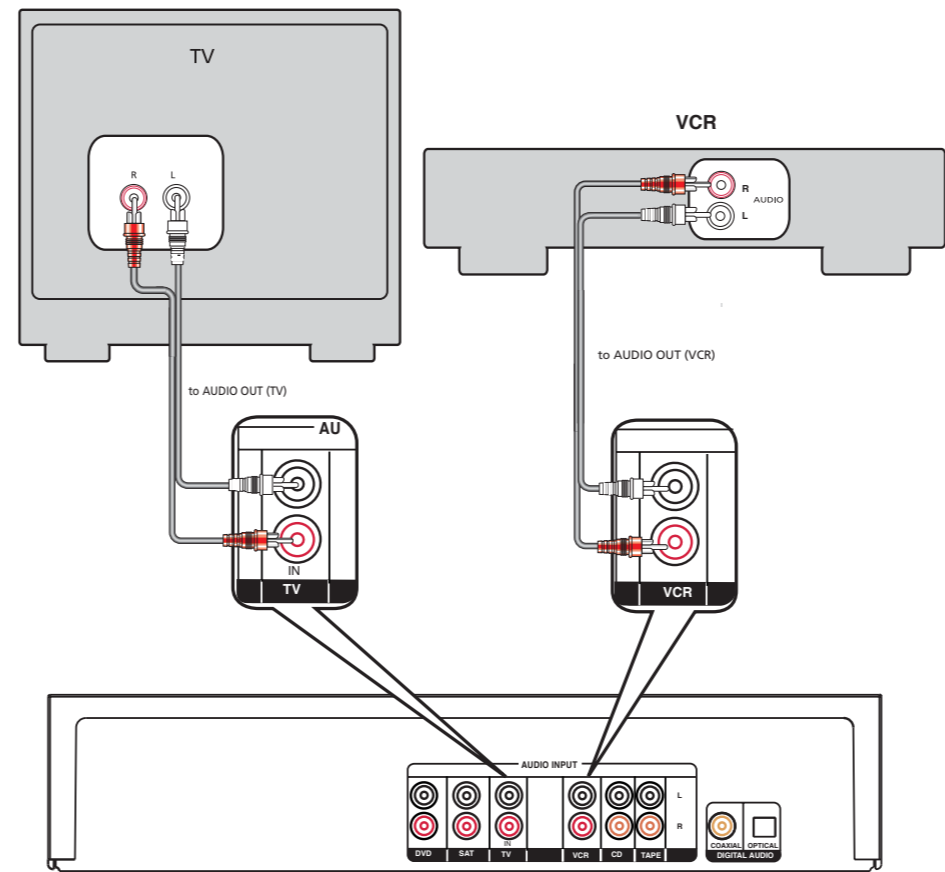
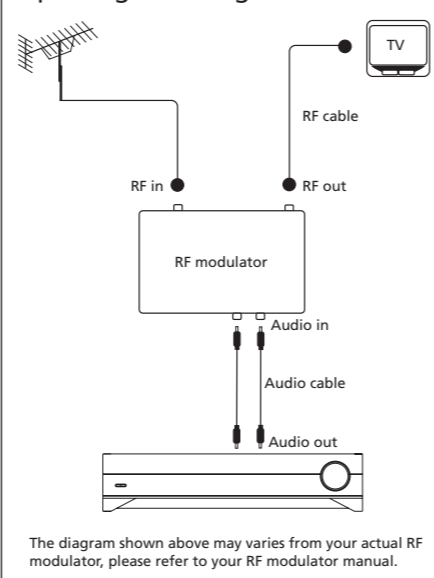
Release tab to lock wire in the terminal.

NOTE: Make sure the insulation is completely removed from the ends of the Antenna and speaker wires at all connection points.

Connection: Audio Components

Follow the diagram to connect audio components.

TV Connections
TVs with RF input may need a RF modulator (not included) for inputting audio signals.



Cables

To help you identify the cables used in audio, illustrations are provided below for your easy reference.

Audio cable	Optical Cable (Digital)	Coaxial Cable (75Ω / Digital)
Not Included	Not Included	Not Included

Connection: DVD To Receiver

Connection described below is also applicable for any component having digital output (Cable, Satellite, MD, CDRW recorder, TV)

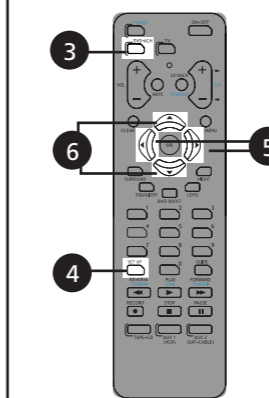
NOTE:

- By default, DVD is set to use Analog.

- After the connections are done, check the receiver and make sure it is set to the appropriate input. The input being used will be displayed after the source name. (DVD/OPT means DVD uses Optical Input)
- To change input connection, follow step 3 to 6 as described below.

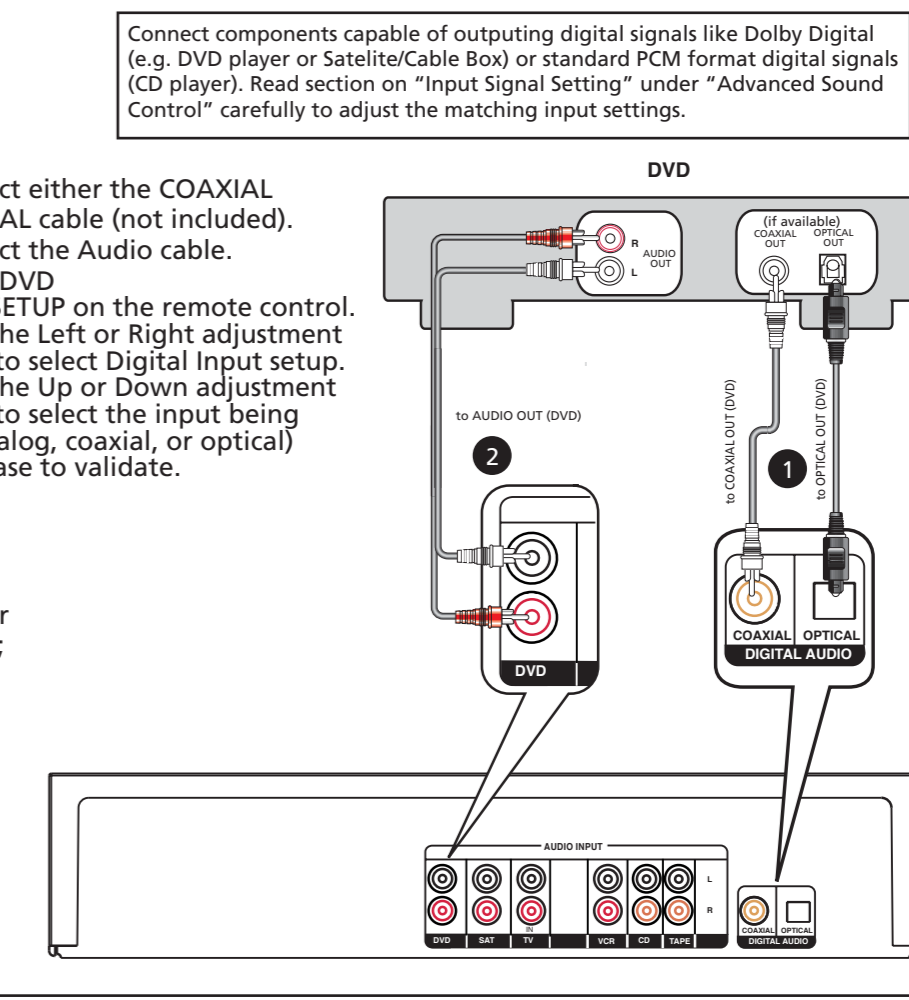
- If a COAXIAL cable is used to connect DVD to the receiver, follow steps 3 to 6 and select COAXIAL.

Follow the diagram to connect your DVD player to receiver.



- 1 Connect either the COAXIAL or OPTICAL cable (not included).
- 2 Connect the Audio cable.
- 3 Select DVD
- 4 Press SETUP on the remote control.
- 5 Press the Left or Right adjustment buttons to select Digital Input setup.
- 6 Press the Up or Down adjustment buttons to select the input being used (analog, coaxial, or optical) and release to validate.

NOTE: To receive Digital signal (Dolby Digital) either a coaxial or optical cable must be connected; and in step 6, you have to select coaxial or optical input accordingly.



Free Manuals Download Website

<http://myh66.com>

<http://usermanuals.us>

<http://www.somanuals.com>

<http://www.4manuals.cc>

<http://www.manual-lib.com>

<http://www.404manual.com>

<http://www.luxmanual.com>

<http://aubethermostatmanual.com>

Golf course search by state

<http://golfingnear.com>

Email search by domain

<http://emailbydomain.com>

Auto manuals search

<http://auto.somanuals.com>

TV manuals search

<http://tv.somanuals.com>