

# **TOSHIBA**

**Leading Innovation >>>**

## **TOSHIBA Mobile LCD Monitor User's Manual**

English/Español

GMAA00290010

12/10

# Contents

|  |    |
|--|----|
| Safety icons .....   | 3  |
| Safety Instructions .....  | 4  |
| FCC information .....  | 6  |
| Introduction .....   | 8  |
| Features .....   | 8  |
| Package contents .....   | 8  |
| System requirements .....  | 8  |
| Quick Tour .....   | 9  |
| Setting up the TOSHIBA Mobile LCD Monitor .....                                | 10 |
| Using the convertible protective case .....                                    | 10 |
| Store the USB Y cable .....  | 11 |
| Installing the driver .....  | 11 |
| Connecting the LCD monitor to your computer .....                              | 12 |
| Using the LCD monitor .....  | 14 |
| Adjusting the brightness .....   | 14 |
| Disconnecting the LCD monitor .....  | 14 |
| Cleaning the LCD monitor .....   | 15 |
| Precautions for Microsoft® Windows® XP, Windows Vista® and<br>Windows® 7 ..... | 15 |
| Troubleshooting .....  | 16 |
| If you need further assistance .....   | 17 |
| Specifications .....   | 18 |
| LCD monitor .....  | 18 |
| Power input .....  | 18 |
| Operational features .....   | 18 |
| Physical specifications .....  | 19 |
| Environmental considerations .....   | 19 |

---

## Safety icons

This guide contains safety instructions that must be observed to avoid potential hazards that could result in personal injuries, damage to your equipment, or loss of data. These safety cautions have been classified according to the seriousness of the risk, and icons highlight these instructions as follows:

---

**▲ DANGER** Indicates an imminently hazardous situation which, if not avoided, will result in death or serious injury.

---

---

**▲ WARNING** Indicates a potentially hazardous situation which, if not avoided, could result in death or serious injury.

---

---

**▲ CAUTION** Indicates a potentially hazardous situation which, if not avoided, may result in minor or moderate injury.

---

---

**CAUTION** Indicates a potentially hazardous situation which, if not avoided, may result in property damage.

---

---

**NOTE** Provides important information.

---

---

## Safety Instructions

Always read the safety instructions carefully:

---

**▲ WARNING**

Do not disassemble, modify, tamper with or repair the product

- ❖ Do not attempt to disassemble, modify, tamper with or repair the product. Disassembly, modification, tampering or repairing the product could cause fire or electric shock, possibly resulting in serious injury.

### Choking hazards

- ❖ Never leave small parts such as covers, caps and screws within the reach of infants or small children. Swallowing a small part may cause choking and suffocation, possibly resulting in death or serious injury. If a part is swallowed, immediately take appropriate emergency action and consult a doctor.

### Avoid liquids, moisture and foreign objects

- ❖ Never allow any liquids to spill into any part of the product, and never expose the product to rain, water, seawater or moisture. Exposure to liquid or moisture can cause electric shock or fire, possibly resulting in damage or serious injury. If any of these eventualities should accidentally occur, immediately:

- 1 Turn off the product.
- 2 Disconnect the power cord/cable from the power plug socket and product.

Do not turn on the power again until you have taken the product to an authorized service center. Failure to follow these instructions could result in serious injury or permanent damage to the product.

### LCD (Liquid Crystal Display) safety

- ❖ Never touch the LCD if it is damaged or broken, as the liquid contained within the monitor may leak, possibly resulting in serious injury. Dispose of any damaged LCD in compliance with local laws and/or regulations.
  - ❖ If the LCD panel is damaged, causing a liquid crystal leak, never ingest or touch the liquid. Serious injury could result.
  - ❖ If LCD liquid should accidentally contact any part of your body, always use large amounts of water to wash it off immediately.
  - ❖ If LCD liquid should accidentally contact your eyes, always rinse them immediately with large amounts of water and obtain prompt medical attention.
  - ❖ If any of the LCD liquid contacts your clothes, remove them immediately and wash them.
  - ❖ Failure to follow these instructions may result in serious injury.
-

---

---

**CAUTION**

Never place the product in locations with excess heat

- ❖ Never place the product where it will be exposed to excess heat, such as in direct sunlight, in an unventilated vehicle, or near a heater. This may result in a system failure, malfunction, loss of data or damage to the product.

Never place the product in a location with extremely low temperatures

- ❖ Never place the product in a location where it will be exposed to extremely low temperatures. This may result in a system failure, malfunction or loss of data.

Never subject the product to sudden temperature variations

- ❖ Never subject the product to sudden temperature variations. This may result in condensation, causing a system failure, malfunction or loss of data.

Never operate the product during a thunderstorm

- ❖ Never operate the product on AC power during a thunderstorm. If you see lightning or hear thunder, immediately unplug the product. An electric surge caused by the storm may result in a system failure, loss of data or hardware damage.
- 
- 

---

---

**CAUTION**

Ensure adequate ventilation

- ❖ Always place the product in a location where there is sufficient space around it to ensure adequate ventilation.

Handle your monitor with care

- ❖ Handle your monitor with care when transporting it.
  - ❖ Do not press, push, or scratch the monitor screen to avoid damaging it.
  - ❖ Never spray liquid directly onto the monitor or use harsh chemical products to clean it.
- 
- 

---

---

**NOTE**

Avoid placing the LCD monitor against a bright background or where sunlight or other light sources may reflect on the face of the LCD monitor. Place the LCD monitor just below eye level and about an arm length away, and adjust the angle of the screen so that it is easy to read. When using the LCD monitor, rest your eyes periodically and relax or stretch your muscles to avoid strain.

---

---

---

## FCC information

### FCC notice "Declaration of Conformity Information"

This equipment has been tested and found to comply with the limits for a Class B digital device, pursuant to part 15 of the FCC rules. These limits are designed to provide reasonable protection against harmful interference in a residential installation. This equipment generates, uses and can radiate radio frequency energy and, if not installed and used in accordance with the instructions, may cause harmful interference to radio communications. However, there is no guarantee that interference will not occur in a particular installation. If this equipment does cause harmful interference to radio or television reception, which can be determined by turning the equipment off and on, the user is encouraged to try to correct the interference by one or more of the following measures:

- ❖ Reorient or relocate the receiving antenna.
- ❖ Increase the separation between the equipment and receiver.
- ❖ Connect the equipment into an outlet on a circuit different from that to which the receiver is connected.
- ❖ Consult the dealer or an experienced radio/TV technician for help.

---

**▲ WARNING**

Changes or modifications made to this equipment, not expressly approved by TOSHIBA or parties authorized by TOSHIBA could void the user's authority to operate the equipment.

---

TOSHIBA declares that this product conforms to the following Standards:

#### CE compliance



This product is CE marked in accordance with the requirements of the applicable EU Directives. Responsible for CE marking is Toshiba Europe GmbH, Hammfelddamm 8, 41460 Neuss, Germany. A copy of the official Declaration of Conformity can be obtained from following website: <http://epps.toshiba-teg.com>.

## FCC Conditions

This equipment has been tested and found to comply with Part 15 of the FCC Rules. Operation is subject to the following two conditions:

- 1 This device may not cause harmful interference.
- 2 This device must accept any interference received, including interference that may cause undesired operation.

---

## Contact

Address: TOSHIBA America Information Systems, Inc.  
9740 Irvine Boulevard  
Irvine, California 92618-1697

Telephone: (949) 583-3000

## Industry Canada Requirement

This Class B digital apparatus complies with Canadian ICES-003.

Cet appareil numérique de la classe B est conforme à la norme NMB-003 du Canada.

## LCD Disposal Information

The lamp in this product contains mercury. Disposal of this product may be regulated due to environmental considerations. For disposal, reuse or recycling information, please contact your local government or the Electronic Industries Alliance at [www.eiae.org](http://www.eiae.org).

## Copyright

This guide is copyrighted by Toshiba Corporation with all rights reserved. Under the copyright laws, this guide cannot be reproduced in any form without the prior written permission of Toshiba. No patent liability is assumed, however, with respect to the use of the information contained herein.

©2010 by Toshiba Corporation. All rights reserved.

## Disclaimer

Information in this document is subject to change without notice. The manufacturer does not make any representations or warranties (implied or otherwise) regarding the accuracy and completeness of this document and shall in no event be liable for any loss of profit or any commercial damage, including but not limited to special, incidental, consequential, or other damage.

December 2010, Rev1.0

## Trademarks

Microsoft, Windows, Windows XP, Windows Vista, and Windows 7 are either registered trademarks or trademarks of Microsoft Corporation in the United States and/or other countries.

Other brands and product names are trademarks or registered trademarks of their respective companies.

---

## Introduction

Thank you for purchasing the TOSHIBA Mobile LCD Monitor. This manual informs you how to set up and configure your new monitor in addition to providing tips on care and troubleshooting.

## Features

- ❖ Easy operation and connectivity
- ❖ USB powered
- ❖ Convertible protective case that folds out into an adjustable stand
- ❖ Slim design for portable use

## Package contents

Please check that the following items are included when you unpack the box. Save the packing materials in case you need to ship or transport the monitor in the future.

- ❖ TOSHIBA Mobile LCD Monitor
- ❖ USB Y cable
- ❖ Convertible protective case
- ❖ CD (*User's Manual* [this document], driver, and warranty information)
- ❖ Quick Start Card

If any items are missing or damaged, contact Toshiba support. For contact information, please see “If you need further assistance” on page 17.

This product is covered by a One (1) Year Standard Limited Warranty.

A copy of the warranty is included on the enclosed CD or can be viewed online at <http://pcsupport.toshiba.com/accessories1yr>.

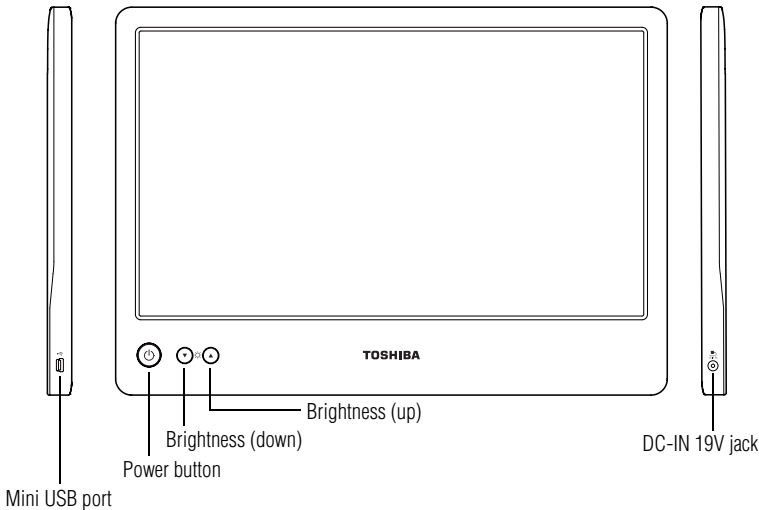
## System requirements




- ❖ Operating System: Microsoft® Windows® XP, Windows Vista®, and Windows® 7
- ❖ 2 USB ports


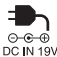


## Quick Tour

This section identifies the various components of the TOSHIBA Mobile LCD Monitor. For a description of each component, please refer to the illustration and table below:



| <i>Component</i>          | <i>Description</i>  |
|---------------------------|---|
| Mini USB port             |  Connection point for the provided USB Y cable, used to connect the LCD monitor to your computer, and provides video signal and power to the LCD monitor.  |
| Power button              |  Used to turn the LCD monitor ON/OFF or turn the monitor backlight ON/OFF. The Power button light will glow green when the monitor and backlight are ON.<br><br>Press once to place the LCD monitor in stand by mode, the power light glows orange. When used in extended mode, the image on the mobile LCD monitor will not return to the computer unless it is turned off or disconnected.<br><br>Press and hold the Power button for about two seconds to turn the monitor OFF. The Power button light will not glow. |
| Brightness control (down) |  Used to decrease the brightness of the LCD monitor.   |

| <i>Component</i>        |   | <i>Description</i>   |
|-------------------------|---|--|
| Brightness control (up) |  | Used to increase the brightness of the LCD monitor.  |
| DC-IN 19V jack          |  | Used to connect an optional AC adaptor (AC adaptor sold separately) to operate the LCD monitor via AC power (19V). |

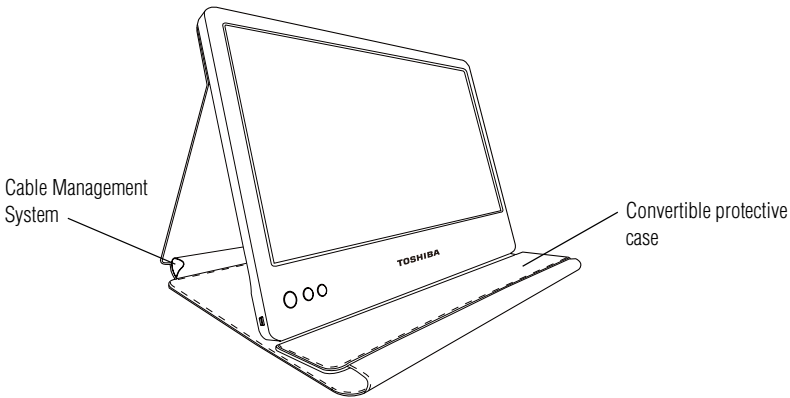
## Setting up the TOSHIBA Mobile LCD Monitor

### Using the convertible protective case

A convertible protective case is attached to the LCD monitor to help protect it during transport or storage. A convenient cable management system stores the USB Y cable when not in use.

The convertible protective case folds out to be used as an adjustable stand for proper viewing.

To help prevent damage to the LCD monitor, do not remove the convertible protective case attached to it.



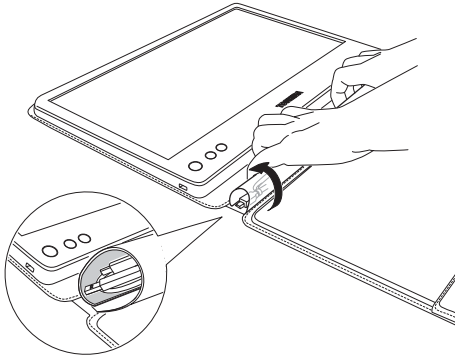
*(Sample Illustration) Using the convertible protective case as a stand*

---

## Store the USB Y cable

To pack and store the provided USB Y cable:

- 1 Unplug the USB cable from the computer and monitor and place the cable across the spine of the convertible protective case.



*(Sample Illustration) Storing the USB Y cable*

- 2 Roll up the flap until the hook-and-loop fasteners catch and secure the cable within the fabric enclosure.

## Installing the driver

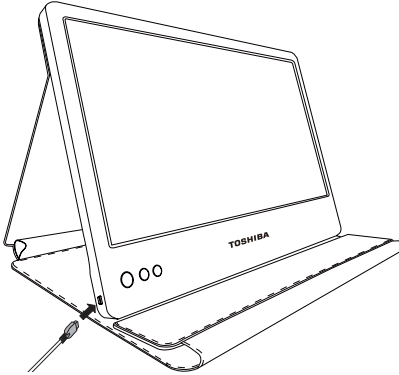
To install the drivers for first use:

- 1 Insert the provided CD into your computer's optical disc drive.
- 2 When the autorun screen appears, select **Install Driver**.
- 3 Install the driver according to the onscreen instructions.
- 4 Restart your computer as recommended.

---

## Connecting the LCD monitor to your computer

- 1 Connect the small end of the provided USB Y cable to the Mini USB port on the left side of the monitor.



*(Sample Illustration) Connecting the LCD monitor*

- 2 Connect the other end of the USB Y cable to one of your computer's USB ports.

---

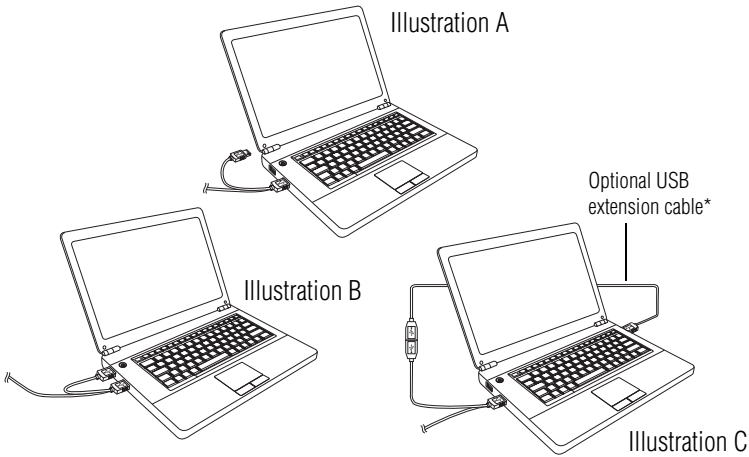
**NOTE** Some computers may not provide enough power to the LCD monitor from one USB port. If so, connect the other USB connector on the Y end of the cable into another USB port on your computer (illustration B). If necessary, use an optional USB extension cable to connect to the second USB port (illustration C).

---

---

**NOTE** If operating the LCD monitor with the USB cable, please make sure that the battery on your computer is fully charged or connect your computer to the AC power adaptor while in use.

---



*(Sample Illustration) Connecting to your computer*

\*If needed, an optional USB extension cable can be purchased separately.

- 3 Connect the optional AC adaptor (AC adaptor sold separately) to the DC IN 19V jack on the right side of the monitor to operate it on AC power. This will give you the maximum brightness.


---

**NOTE**

1. For optimal performance, connect the LCD monitor directly to the computer, rather than through a USB hub.
2. Operate the LCD monitor in a horizontal position and on a hard, flat surface only.

---

**NOTE**

After connecting the LCD monitor to your computer, the Toshiba Mobile LCD Monitor icon (  ) appears in the system tray of your Windows® desktop to help you configure or disconnect the monitor.

---

## Using the LCD monitor

You can use the mobile LCD monitor in mirror mode or extended mode. Settings may vary depending on your operating system.

### For Microsoft® Windows® 7

Press the Windows® key (⊞) + P to switch between different modes as shown below.



### For Microsoft® Windows® XP and Microsoft® Windows Vista®

Right-click the “TOSHIBA Mobile LCD Monitor” icon in the system tray of your Windows® desktop to configure the display settings.

## Adjusting the brightness

Press the **Brightness Up/Down** buttons to adjust the brightness level of the monitor display. Brightness levels may also vary depending on the power source used. See the table below:

### Brightness level options

|           |                     |
|-----------|---------------------|
| USB Power | 25%, 50%            |
| AC Power: | 25%, 50%, 75%, 100% |

**NOTE** To purchase an optional AC adaptor (AC adaptor sold separately, part number PA3743U-1ACA), visit Toshiba's Web site at [accessories.toshiba.com](http://accessories.toshiba.com).

## Disconnecting the LCD monitor

- 1 Press and hold the Power button for approximately two seconds to turn the LCD monitor OFF.
  - ❖ For Microsoft® Windows® 7 only, you may also turn the monitor OFF by pressing the **Windows key** (⊞) + P, and then selecting **Disconnect Projector**.
  - ❖ For Microsoft® Windows Vista® and Windows® XP, you may select OFF by right-Clicking the “TOSHIBA Mobile LCD Monitor” icon in the system tray.

- 2 Remove the USB cable from the computer and monitor.
- 3 Disconnect the optional AC adaptor from the monitor.  
(AC adaptor sold separately.)

## **Cleaning the LCD monitor**

Please follow the guidelines below when cleaning the LCD monitor:

- ❖ Always unplug the monitor before cleaning.
- ❖ Use a soft cloth to wipe the screen and other parts of the monitor.
- ❖ Never spray liquids directly onto the LCD screen or use harsh chemical products to clean it.

## **Precautions for Microsoft® Windows® XP, Windows Vista® and Windows® 7**

- ❖ Due to the configurations of computers and Windows® operating systems available, functionality may differ slightly than stated in the user manual. This may be due to the computer manufacturer's BIOS and other custom configurations of the hardware, pre-installed software or operating system installed at time of production. If you have specific problems, you may need to contact the computer manufacturer to inquire about BIOS, hardware driver or operating system updates.
- ❖ The Fn + F5 functionality detailed in the electronic User's Guide for your TOSHIBA computer only controls the internal video controller of your computer.
- ❖ The TOSHIBA Mobile LCD Monitor utilizes an advanced video graphics controller to display the video. However, due to USB 2.0 transfer speed limitations, some or all portions of DVD playback may appear slow or choppy. This is not a malfunction of the Mobile LCD monitor. Move the video playback from the Mobile LCD monitor to your computer display for optimal video performance when viewing DVDs.
- ❖ On Windows® XP systems, DVDs may not display correctly on the Mobile LCD monitor. Use your computer's built-in monitor to view DVDs.
- ❖ This product does not support 3D programs.
- ❖ In some software application programs that utilize certain direct draw commands such as some 2D-Games, the display on the Mobile LCD monitor will not be supported. If you want to

---

play these games in full screen, we suggest you disconnect the Mobile LCD monitor.

- ❖ This product is unable to enter full screen DOS mode when using the Mobile LCD monitor.
- ❖ To play DVDs, use the Media Player included with your operating system. Do not use the TOSHIBA DVD Player to play DVDs on the Mobile LCD Monitor.

## Troubleshooting

This section provides tips for correcting problems, should any occur. It also describes how to contact Toshiba should you encounter problems that you cannot resolve.

Before you call Toshiba, please read the troubleshooting advice in this manual and in your computer *User's Manual*. You may also want to consult with your system administrator or company technical support staff.

| <i>Problem</i>  | <i>Solution(s)</i>   |
|---|--|
| The monitor does not turn on                          | <p>Check the connections. Make sure the USB cable is firmly connected to the monitor.</p> <p>Disconnect and reconnect the USB cable, and then press the Power button again.</p> <p>Check the condition of the USB cable. If the cable is frayed or damaged, replace the cable. If the connectors are soiled, wipe them with a clean cloth.</p> |
| The screen is blank, although the power is on         | <p>Make sure the USB cable is properly connected to the computer.</p> <p>Make sure the computer is on and working. The computer may be in sleep or power-saving mode, or displaying a blank screen saver. Move the mouse to "wake up" the computer.</p>  |
| The picture "bounces" or moves in a wave-like pattern | <p>Move electrical devices that may cause electrical interference away from the monitor.</p>   |
| Cannot play DVDs using the Toshiba DVD Player         | <p>Use the Media Player included in your Operating System.</p>   |

---



---

## **If you need further assistance**

If you have followed the recommendations in this section and are still having problems, you may need additional technical assistance.

### **Toshiba Support Web sites**

#### **United States**

[pcsupport.toshiba.com](http://pcsupport.toshiba.com)

### **Toshiba Customer Support Centers**

#### **United States**

Calling from within the United States: (888) 592-0944

Calling from outside the United States: (949) 583-3305

---

## Specifications

This section summarizes the TOSHIBA Mobile LCD Monitor technical specifications\*.

### LCD monitor

|                |              |
|----------------|--------------|
| Monitor Type   | 14.0" LCD    |
| Contrast Ratio | 400:1 (Typ.) |

### Power input

#### AC adaptor

(AC adaptor sold separately.)

|           |             |
|-----------|-------------|
| Voltage   | 100-240V AC |
| Frequency | 50-60 Hz    |

---

**NOTE** This voltage requirement only applies to the optional AC adaptor.

---

### Operational features

|                     |  |
|---------------------|--|
| Maximum Resolution  | HD (1366 x 768)  |
| Brightness          | 220 cd/m <sup>2</sup>                                  |
| Response Time       | 16 ms  |
| Display Color       | 256,000  |
| Signal Input System | 18 bits  |
| Interface           | Mini-B connector                                       |
| Supported OS        | Microsoft® Windows® XP, Windows Vista®, and Windows® 7 |

---

**NOTE** The Contrast ratio and brightness listed are only available at 100% power when using an AC adaptor (AC adaptor sold separately).

---

---

## Physical specifications

|                        |  |
|------------------------|--|
| Dimensions (W x H x D) | Approximately 340.5 x 239.5 x 15.5mm (13.4 x 9.4 x 0.6 in) |
| Net Weight             | Approximately 795g (1.75 lbs)                              |

## Environmental considerations

|                       |                               |
|-----------------------|-------------------------------|
| Operating Temperature | 5° to 35° C (41° to 95° F)    |
| Storage Temperature   | -20° to 60° C (-4° to 140° F) |
| Operating Humidity    | 20% to 90%                    |
| Storage Humidity      | 10% to 90%                    |

\* All specifications are subject to change without notice.

# Index

## B

brightness

adjusting 14

brightness levels

AC power 14

USB power 14

button

brightness control (down) 9

brightness control (up) 10

power button 9

## C

contact information 6

convertible protective case

monitor 10

## F

Features 8

## I

icons

safety 3

## M

monitor

cleaning 15

connecting to computer 12

convertible protective case 10

disconnecting 14

setting up 10

using 14

## P

package contents 8

port

DC-IN 19V jack 10

Mini USB port 9

## Q

quick tour 9

## S

safety

icons 3

instructions 4

setting up

monitor 10

specifications

environmental considerations 19

monitor 18

operational features 18

physical specifications 19

power input 18

power input, AC adaptor 18

## T

Toshiba Customer Support Centers 17

Toshiba Support Web sites 17

troubleshooting 16

# **TOSHIBA**

**Leading Innovation >>>**

## **Monitor Móvil LCD de TOSHIBA Manual del usuario**

# Contenido

|  |    |
|--|----|
| Íconos de seguridad .....  | 3  |
| Instrucciones de seguridad.....  | 4  |
| Información de la Comisión Federal de Comunicaciones de Estados Unidos (FCC) ..... | 6  |
| Introducción .....   | 8  |
| Características.....   | 8  |
| Contenido de la caja.....  | 8  |
| Requisitos del sistema.....  | 8  |
| Referencia rápida .....  | 9  |
| Instalación del Monitor Móvil LCD de TOSHIBA .....                                 | 10 |
| Uso de la cubierta de protección convertible.....                                  | 10 |
| Almacenamiento del cable USB Y .....   | 11 |
| Instalación del controlador.....   | 11 |
| Conexión del monitor LCD a la computadora .....                                    | 12 |
| Uso del monitor LCD.....   | 14 |
| Ajuste del brillo .....  | 14 |
| Desconexión del monitor LCD.....   | 14 |
| Limpieza del monitor.....  | 15 |
| Precauciones para Microsoft® Windows® XP, Windows Vista® y Windows® 7.....         | 15 |
| Solución de problemas .....  | 16 |
| Si necesita ayuda adicional .....  | 17 |
| Especificaciones .....   | 18 |
| Monitor LCD.....   | 18 |
| Fuente de alimentación .....   | 18 |
| Funciones operativas .....   | 18 |
| Especificaciones físicas.....  | 19 |
| Consideraciones medioambientales .....   | 19 |

---

## Íconos de seguridad

Esta guía contiene instrucciones de seguridad que deben seguirse a fin de evitar posibles peligros que pueden tener como consecuencia lesiones personales, daños al equipo o pérdida de datos. Son advertencias de seguridad que están clasificadas de acuerdo con la gravedad del peligro y están representadas por íconos que distinguen cada instrucción como se muestra abajo:

---

### **▲ PELIGRO**

Este ícono indica la presencia de una situación inminentemente peligrosa que, de no evitarse, ocasionaría muerte o lesiones graves.

---

---

### **▲ ADVERTENCIA**

Este ícono indica la presencia de una situación potencialmente peligrosa que, de no evitarse, podría ocasionar muerte o lesiones graves.

---

---

### **▲ PRECAUCIÓN**

Este ícono indica la presencia de una situación potencialmente peligrosa que, de no evitarse, podría ocasionar lesiones menores o moderadas.

---

---

### **PRECAUCIÓN**

Este ícono indica la presencia de una situación potencialmente peligrosa que, de no evitarse, podría ocasionar daños a la propiedad.

---

---

### **NOTA**

Este ícono brinda información importante.

---

---

## Instrucciones de seguridad

Siempre lea cuidadosamente las instrucciones de seguridad:

---

### **▲ADVERTENCIA**

No desarme, modifique, altere o repare el producto

- ❖ No intente desarmar, modificar, alterar o reparar el producto. Desarmar, modificar, alterar o reparar el producto podría provocar un incendio o un choque eléctrico, que podría ocasionar lesiones graves.

Riesgo de asfixia.

- ❖ Nunca deje piezas pequeñas, como cubiertas, tapas y tornillos, al alcance de niños o bebés, ya que tragarse una pieza pequeña podría causar asfixia y sofocación, que pueden ocasionar la muerte o lesiones graves. En caso de que alguien se trague una pieza, tome las medidas apropiadas de emergencia inmediatamente y consulte a un médico.

Evite líquidos, humedad y objetos extraños

- ❖ Nunca permita que se derrame ningún líquido en ninguna parte del producto y nunca lo exponga a la lluvia, el agua, el agua de mar o la humedad. La exposición a los líquidos o a la humedad puede causar un choque eléctrico o un incendio, que podría ocasionar daños o lesiones graves. Si accidentalmente llegara a ocurrir alguno de esos incidentes, inmediatamente:

- 1 Apague el producto.
- 2 Desconecte el cable de alimentación del tomacorriente y del producto.

No vuelva a encender la alimentación hasta que haya llevado el producto a un centro autorizado de servicio. No seguir estas instrucciones puede resultar en lesiones graves o en daños permanentes al producto.

Protección de la pantalla de cristal líquido

- ❖ Nunca toque la pantalla de cristal líquido si ésta dañada o tiene una ruptura, ya que el líquido contenido en la pantalla se puede fugar y podría causar lesiones graves. Deseche todas las pantallas de cristal líquido de acuerdo con las leyes y/o regulaciones locales.
  - ❖ Si el panel de la pantalla de cristal líquido llegara a dañarse y hubiera una fuga del cristal líquido, nunca ingiera o toque el líquido, ya que esto podría ocasionar lesiones graves.
  - ❖ Si el líquido de la pantalla llega a entrar en contacto accidentalmente con su cuerpo, use siempre cantidades abundantes de agua para lavarse inmediatamente.
  - ❖ Si el líquido de la pantalla llega a entrar en contacto accidentalmente con sus ojos, enjuáguelos inmediatamente con cantidades abundantes de agua y busque atención médica cuanto antes.
  - ❖ Si el líquido de la pantalla llega a entrar en contacto con su ropa, quítela inmediatamente y lávela con un detergente sintético.
  - ❖ Si no sigue estas instrucciones podría sufrir lesiones graves.
-



**PRECAUCIÓN**

Nunca coloque el producto en sitios en los que haya calor excesivo

- ❖ Nunca coloque el producto en lugares en los que podría quedar expuesto a calor excesivo, como por ejemplo, a la luz directa del sol, en un vehículo sin ventilación o cerca de un calefactor. Esto podría provocar fallas en el sistema, mal funcionamiento, pérdida de datos o daños al producto.

Nunca coloque el producto en sitios en los que haya temperaturas extremadamente bajas

- ❖ Nunca coloque el producto en lugares en los que pueda quedar expuesto a temperaturas extremadamente bajas; ya que esto podría provocar fallas en el sistema, mal funcionamiento o pérdida de datos.

Nunca someta el producto a variaciones repentinas de temperatura

- ❖ Nunca someta el producto a variaciones repentinas de temperatura ya que esto podría comportar la formación de condensación que provocaría fallas en el sistema, mal funcionamiento o pérdida de datos.

Nunca utilice el producto durante una tormenta eléctrica

- ❖ Nunca utilice el producto con alimentación de CA durante una tormenta eléctrica. Si observa rayos o escucha truenos, desconecte de inmediato el producto. Una descarga eléctrica provocada por una tormenta podría causar fallas en el sistema, pérdida de datos o daños al hardware.

**PRECAUCIÓN**

Asegure una ventilación adecuada

- ❖ Siempre coloque el producto en una ubicación donde haya un espacio suficiente a su alrededor para garantizar una ventilación adecuada.

Maneje el monitor con cuidado

- ❖ Maneje el monitor con cuidado cuando lo transporte.
- ❖ No presione, empuje o raye la pantalla del monitor para evitar dañarla.
- ❖ No rocíe líquidos directamente sobre el monitor ni utilice productos químicos fuertes para limpiarlo.

**NOTA**

Evite colocar el monitor LCD contra un fondo brillante o en un lugar donde el sol u otra fuente de luz se puedan reflejar en la pantalla. Coloque el monitor LCD ligeramente debajo de su línea visual a una distancia de aproximadamente un brazo extendido y ajuste el ángulo de la pantalla para que puede leer con facilidad. Cuando use el monitor LCD, descanse la vista periódicamente y relaje o estire los músculos para evitar la tensión.

## Información de la Comisión Federal de Comunicaciones de Estados Unidos (FCC)

### Aviso de la FCC “Información sobre la declaración de conformidad”

Este equipo se probó y se comprobó que cumple con los límites para dispositivos digitales de Clase B, en virtud de la Parte 15 de las normas de la Comisión Federal de Comunicaciones de Estados Unidos (*Federal Communications Commission* o FCC). Estos límites están diseñados para proporcionar una protección razonable contra interferencias perjudiciales en una instalación residencial. Este equipo genera, utiliza y puede irradiar energía de radiofrecuencia y, si no se instala y utiliza conforme a las instrucciones, puede provocar interferencias perjudiciales a las comunicaciones por radio. Sin embargo, no se garantiza que no habrá interferencias en una instalación en particular. Si este equipo provoca interferencias perjudiciales en la recepción de radio o televisión, lo que se puede determinar apagando y encendiendo el equipo, recomendamos al usuario que intente corregir la interferencia adoptando una o varias de las medidas siguientes:

- ❖ Cambiar la orientación o la ubicación de la antena receptora.
- ❖ Aumentar la distancia entre el equipo y el receptor.
- ❖ Conectar el equipo a un tomacorriente en un circuito diferente al que está conectado el receptor.
- ❖ Consultar al distribuidor o a un técnico especializado en radio y televisión para obtener ayuda.

#### **ADVERTENCIA**

Los cambios o las modificaciones realizados a este equipo, que no estén aprobados expresamente por TOSHIBA o por terceros autorizados por TOSHIBA, pueden invalidar el derecho del usuario a utilizar el equipo.

TOSHIBA declara que este producto cumple con las siguientes normas:

Declaración de conformidad CE



Este producto ostenta la marca CE de conformidad con las directivas de la Comunidad Europea pertinentes. La oficina responsable de la obtención de la marca en la Comunidad Europea es Toshiba Europa GmbH, Hammfelddamm 8, 41460 Neuss, Alemania. Una copia de la Declaración de conformidad oficial se puede obtener en el siguiente sitio: <http://epps.toshiba-teg.com>.

### Requisitos de la FCC

Este equipo se probó y se comprobó que cumple con la Parte 15 de las normas de la FCC. Su funcionamiento está sujeto a las siguientes dos condiciones:

- 1 Este dispositivo no debe causar interferencias perjudiciales.
- 2 Este dispositivo debe aceptar cualquier interferencia, incluidas aquellas que puedan comprometer su funcionamiento.

---

## Contacto

Dirección: TOSHIBA America Information Systems, Inc.  
9740 Irvine Boulevard  
Irvine, California 92618-1697

Teléfono: (949) 583-3000

## Requisito de Industry Canada

Este aparato digital de Clase B cumple con la norma canadiense ICES-003.  
*Cet appareil numérique de la classe B est conforme à la norme NMB-003 du Canada.*

## Información sobre el desecho

La lámpara de este producto contiene mercurio. Debido a consideraciones medioambientales, el desecho de este producto debería estar regulado. Para información sobre el desecho, reuso o reciclaje de este producto, por favor comuníquese con su gobierno local o con la Alianza de Industrias Electrónicas en [www.eiae.org](http://www.eiae.org).

## Derechos de autor

Los derechos de autor de este manual son propiedad de Toshiba Corporation, quien se reserva todos los derechos. De acuerdo con las leyes de derechos de autor, este manual no puede reproducirse en forma alguna sin el permiso previo y por escrito de Toshiba. Sin embargo, Toshiba no asume ninguna responsabilidad de patente respecto al uso de la información incluida en este manual.

©2010 de Toshiba Corporation. Todos los derechos reservados.

## Limitación de responsabilidad

La información contenida en este documento está sujeta a cambios sin previo aviso. El fabricante no hace ninguna declaración ni asume ninguna responsabilidad (implícita o de otro tipo) respecto a la exactitud e integridad de este documento, y no será responsable de ninguna pérdida de ganancias o cualquier daño comercial, incluyendo entre otros los daños especiales, incidentales, consecuenciales u otro tipo de daño.

Diciembre 2010, Rev1.0

## Marcas comerciales

Microsoft, Windows, Windows XP, Windows Vista, y Windows 7 son marcas registradas o marcas comerciales de Microsoft Corporation en Estados Unidos y/u otros países.

Todos los demás nombres de marcas y productos son marcas comerciales o marcas registradas de sus respectivas compañías.

---

## Introducción

Gracias por adquirir el Monitor Móvil LCD de TOSHIBA. Este manual le brinda información sobre cómo instalar y configurar el monitor y le da consejos sobre el cuidado del producto y la solución de problemas.

## Características

- ❖ Facilidad en la conectividad y el uso
- ❖ Alimentado por USB
- ❖ Cubierta de protección que se dobla y se convierte en una base ajustable
- ❖ Perfil delgado para uso portátil

## Contenido de la caja

Cuando desempaque la caja, por favor compruebe que los siguientes artículos estén incluidos. Guarde los materiales de empaque en caso de que en un futuro necesite enviar o transportar el monitor.

- ❖ Monitor Móvil LCD de TOSHIBA
- ❖ Cable USB Y
- ❖ Cubierta de protección convertible
- ❖ CD (*Manual del usuario* [este documento], controlador e información sobre la garantía)
- ❖ Guía de inicio rápido

En caso de que falte o esté dañado algún artículo póngase en contacto con la asistencia al cliente de Toshiba. Para la información de contacto por favor consulte “Si necesita ayuda adicional” en la página 17.

Este producto incluye una garantía limitada estándar de un (1) año.

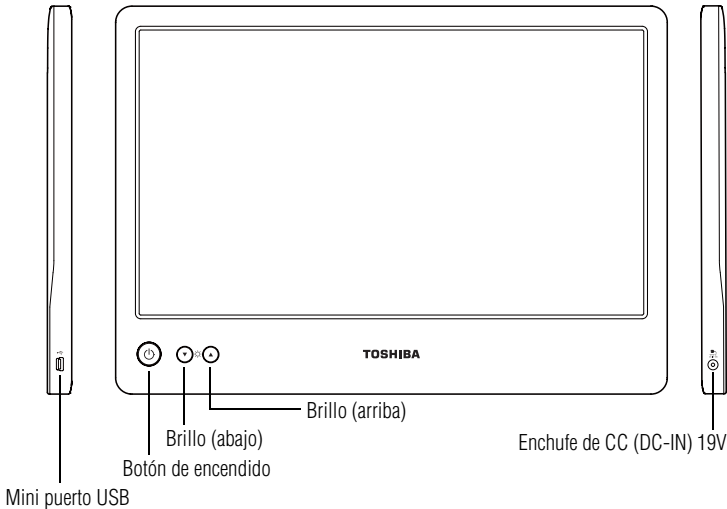
Una copia de la garantía se incluye en el CD adjunto o se puede consultar en línea en el sitio <http://pcsupport.toshiba.com/accessories1yr>.



## Requisitos del sistema

- ❖ Sistema operativo: Microsoft® Windows® XP, Windows Vista® y Windows® 7
- ❖ 2 puertos USB

## Referencia rápida

En esta sección se identifican los distintos componentes del Monitor Móvil LCD de TOSHIBA. Para una descripción de cada componente consulte a continuación la ilustración y la tabla:



| <i>Componente</i>  | <i>Descripción</i>  |
|--------------------|---|
| Mini puerto USB    |  <p>Punto de conexión para el cable USB Y que se suministra. Se usa para conectar el monitor LCD a la computadora y suministra una señal de video y alimentación al monitor.</p>   |
| Botón de encendido |  <p>Se usa para encender o apagar el monitor LCD o para encender o apagar la luz de retroiluminación. La luz del botón de encendido se ilumina de color verde cuando el monitor y la luz de retroiluminación están encendidos.</p> <p>Presione una vez para colocar el monitor en el modo de reposo. La luz de encendido se ilumina de color naranja. Cuando se utiliza el modo extendido, la imagen en el monitor móvil LCD no vuelve a aparecer en la computadora a menos de que se apague o desconecte.</p> <p>Presione y mantenga presionado el botón de encendido durante aproximadamente dos segundos para apagar el monitor. La luz del botón de encendido no se ilumina.</p> |

| <i>Componente</i>           |  | <i>Descripción</i>   |
|-----------------------------|--|--|
| Control del brillo (abajo)  |  | Use este botón para disminuir el brillo el monitor LCD.  |
| Control del brillo (arriba) |  | Use este botón para aumentar el brillo el monitor LCD.   |
| Enchufe CC (DC-IN) 19V      |  | Use este enchufe para conectar el adaptador de CA opcional (vendido por separado) para usar el monitor LCD con alimentación de CA (19V). |

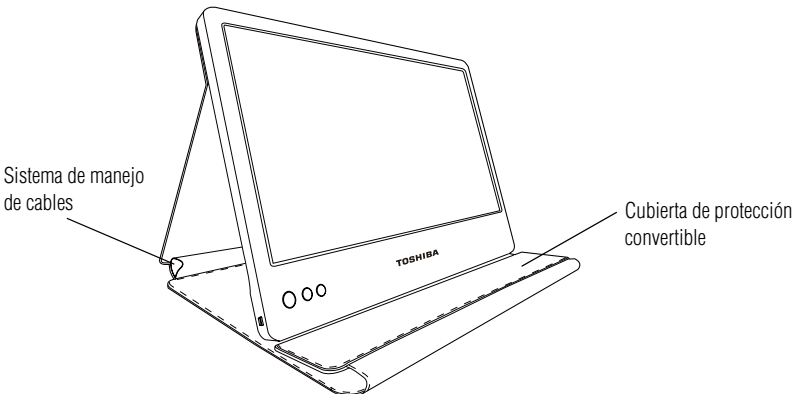
## Instalación del Monitor Móvil LCD de TOSHIBA

### Uso de la cubierta de protección convertible

La cubierta de protección convertible que está sujeta al monitor LCD sirve para protegerlo durante el transporte o el almacenamiento. Un sistema de manejo de cables almacena el cable USB Y cuando no se está usando el monitor.

La cubierta de protección se dobla hacia afuera convirtiéndose en una base ajustable para una visualización apropiada.

Para evitar daños al monitor LCD, no quite la cubierta de protección convertible que viene sujeta al monitor.



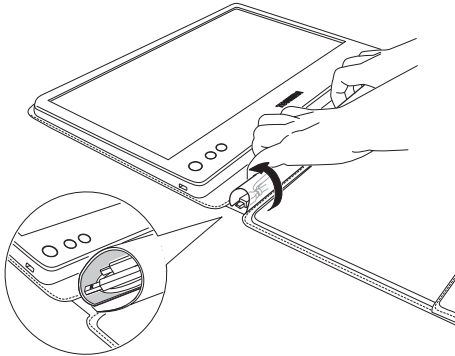
*(Ilustración de muestra) Cómo usar la cubierta de protección convertible como una base*

---

## Almacenamiento del cable USB Y

Para empaquetar y almacenar el cable USB Y que se suministra:

- 1 Desconecte el cable USB de la computadora y el monitor y colóquelo a lo largo del lomo de la cubierta de protección convertible.



*(Ilustración de muestra ) Cómo almacenar el cable USB Y*

- 2 Enrolle la aleta hasta que los sujetadores del cierre de gancho y aro agarren el cable y lo aseguren dentro de la cubierta de tela.

## Instalación del controlador

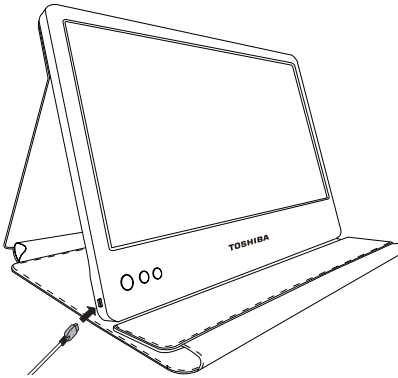
Para instalar el controlador para el primer uso del monitor:

- 1 Inserte el CD incluido en la unidad de discos ópticos de la computadora.
- 2 Cuando aparezca la pantalla de ejecución automática, seleccione **Instalar controlador**.
- 3 Instale el controlador de acuerdo con las instrucciones que aparecen en la pantalla.
- 4 Reinicie la computadora como se recomienda.

---

## Conexión del monitor LCD a la computadora

- 1 Conecte el extremo pequeño del cable USB Y que se suministra en el mini puerto USB ubicado en el lado izquierdo del monitor.



*(Ilustración de muestra) Cómo conectar el monitor LCD*

- 2 Conecte el otro extremo del cable USB Y a uno de los puertos USB de la computadora.

---

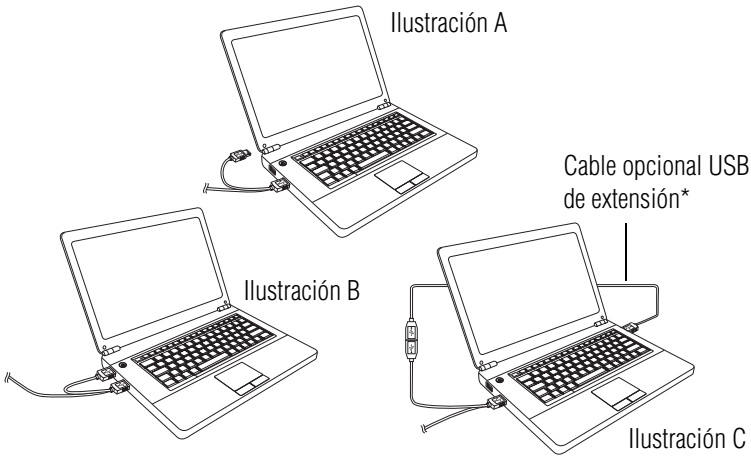
**NOTA** Puede que algunas computadoras no provean energía suficiente para el monitor LCD desde un puerto USB. En este caso, conecte el otro conector USB en el extremo Y del cable en otro puerto USB de la computadora (ilustración B). Si es necesario, use un cable de extensión USB opcional para la conexión al segundo puerto USB (ilustración C).

---

**NOTA** Si está utilizando el monitor LCD con un cable USB, asegúrese de que la batería de la computadora esté totalmente cargada o conecte la computadora al adaptador de CA durante el uso.

---





*(Ilustración de muestra) Conexión a la computadora*

\*Si es necesario, un cable de extensión USB opcional se puede comprar por separado.

- 3 Conecte el adaptador de CA opcional (vendido por separado) en el enchufe CC (DC-IN) 19V ubicado en el lado derecho del monitor para usarlo con alimentación de CA. Esto le brindará el mayor brillo posible.

---

**NOTA**

1. Para un funcionamiento óptimo, conecte el monitor LCD directamente a la computadora, en vez de usar un concentrador USB.
2. Sólo utilice el monitor LCD en posición horizontal y sobre una superficie plana y firme.

---

**NOTA**

Después de conectar el monitor LCD a la computadora, aparece el ícono del Monitor Móvil LCD de Toshiba (  ) en la bandeja del sistema del escritorio de Windows® para ayudarle a configurar o desconectar el monitor.

---

## Uso del monitor LCD

El monitor LCD se puede usar en modo espejo o en modo extendido. Las configuraciones varían de acuerdo con el sistema operativo de la computadora.

### Para Microsoft® Windows® 7

Presione la tecla Windows® (⊞) + P para alternar entre los distintos modos como se muestra a continuación.



### Para Microsoft® Windows® XP y Microsoft® Windows Vista®

Haga clic con el botón secundario en el ícono del “Monitor Móvil LCD de TOSHIBA” en la bandeja del sistema del escritorio de Windows® para configurar los parámetros de visualización.

## Ajuste del brillo

Presione los botones **Brillo Arriba/Abajo** para ajustar el nivel del brillo de la pantalla del monitor. Los niveles del brillo también pueden variar de acuerdo con la fuente de alimentación que se utilice. Consulte la siguiente tabla:

### Opciones de niveles de brillo

|                    |                     |
|--------------------|---------------------|
| Alimentación USB   | 25%, 50%            |
| Alimentación de CA | 25%, 50%, 75%, 100% |

### NOTA

Para comprar un adaptador de CA opcional (adaptador de CA vendido por separado, número de pieza PA3743U-1ACA), visite el sitio web de Toshiba accessories.toshiba.com.

## Desconexión del monitor LCD

- 1 Para apagar el monitor LCD, presione y mantenga presionado el botón de encendido durante aproximadamente dos segundos.
  - ❖ Sólo en Microsoft® Windows® 7 podría ser necesario apagar el monitor presionando la tecla **Windows** (⊞) + P, y luego seleccionando **Desconectar proyector**.

- 
- ❖ Para Microsoft® Windows Vista® y Windows® XP, puede seleccionar APAGAR haciendo clic con el botón secundario en el ícono del “Monitor Móvil LCD de TOSHIBA” en la bandeja del sistema.
- 2 Desconecte el cable USB de la computadora y del monitor.
  - 3 Desconecte el adaptador de CA opcional del monitor.  
(Adaptador de CA vendido por separado).

## **Limpieza del monitor**

Para la limpieza del monitor LCD siga las siguientes instrucciones:

- ❖ Siempre desconecte el monitor antes de limpiarlo.
- ❖ Use un paño suave para limpiar la pantalla y otras partes del monitor.
- ❖ Nunca rocíe líquidos directamente sobre el monitor LCD ni utilice productos químicos fuertes para su limpieza.

## **Precauciones para Microsoft® Windows® XP, Windows Vista® y Windows® 7**

- ❖ Debido a las configuraciones de las computadoras y de los sistemas operativos Windows® disponibles, el funcionamiento puede diferir un poco de lo que se describe en el manual del usuario. Esto podría deberse al BIOS de la computadora y a otras configuraciones personalizadas del hardware, del software preinstalado y del sistema operativo instalado durante la fabricación. Si se le presentan problemas específicos, podría ser necesario contactar al fabricante de la computadora para informarse sobre actualizaciones del BIOS, los controladores del hardware o el sistema operativo.
- ❖ La función de las teclas Fn + F5, que se describe en la versión electrónica del Manual del usuario de las computadoras TOSHIBA, sólo administra el controlador de video interno de la computadora.
- ❖ Para la visualización de video, el Monitor Móvil LCD de TOSHIBA utiliza un controlador de gráficas de video avanzado. Sin embargo, debido a las limitaciones de la velocidad de transmisión por USB 2.0 algunos o todos de los segmentos de la reproducción de DVD pueden aparecer lentos o entrecortados. Esto no es un fallo del monitor móvil LCD. Cuando esté viendo discos DVD, mueva la reproducción de video del monitor móvil LCD a la pantalla de la computadora para obtener una reproducción de video excelente.

- ❖ En los sistemas Windows® XP, puede que los discos DVD no se visualizan bien en el monitor móvil LCD. Utilice la pantalla integrada de la computadora para ver los discos DVD.
- ❖ Este producto no admite los programas en 3D.
- ❖ En algunos programas de software que utilizan algunos comandos *direct draw*, como en algunos juegos 2D, puede que no se admita la visualización en el monitor móvil LCD. Si quiere jugar estos juegos en una pantalla completa, le sugerimos que desconecte el monitor móvil LCD.
- ❖ Este producto no puede ingresar al modo DOS de pantalla completa cuando se utiliza el monitor móvil LCD.
- ❖ Para reproducir DVD utilice el Media Player que se incluye con el sistema operativo. No utilice el reproductor de DVD de TOSHIBA para reproducir discos DVD en el monitor móvil LCD.

## Solución de problemas

En esta sección se dan sugerencias para la solución de problemas, en caso de que se presente alguno. También se describe cómo se puede poner en contacto con Toshiba cuando se le presente un problema que no pueda resolver.

Antes de llamar a Toshiba, por favor lea todos los consejos para la solución de problemas que se dan en este manual y en el *Manual del usuario* de la computadora. Usted también puede consultar con el administrador de su sistema o el personal de asistencia técnica de su empresa.

| <i>Problema</i>   | <i>Solución/Soluciones</i>  |
|---|---|
| El monitor no enciende  | <p>Revise las conexiones. Asegúrese de que el cable USB esté bien conectado al monitor.</p> <p>Desconecte y vuelva a conectar el cable USB y luego vuelva a presionar el botón de encendido.</p> <p>Revise el estado del cable USB. Si el cable está deshilachado o dañado reemplácelo. Si las espigas de los conectores están sucias límpielas con un paño limpio.</p> |
| La pantalla está en blanco a pesar de que la alimentación está encendida. | <p>Asegúrese de que el cable USB esté bien conectado a la computadora.</p> <p>Asegúrese de que la computadora esté encendida y funcionando. La computadora podría estar en el modo de suspensión o de ahorro de energía, o mostrando un protector de pantalla en blanco. Mueva el ratón para reactivar la computadora.</p>  |

---

| <i>Problema</i>   | <i>Solución/Soluciones</i>   |
|---|--|
| La imagen "brinca" o se mueve en un patrón parecido a una onda      | Aleje los dispositivos eléctricos que puedan causar interferencias con el monitor. |
| No puede reproducir DVD utilizando el Reproductor de DVD de Toshiba | Utilice el Media Player incluido en el sistema operativo.                          |

---

## **Si necesita ayuda adicional**

Si ha seguido las recomendaciones contenidas en esta sección y no ha conseguido resolver los problemas, puede que sea necesario solicitar asistencia técnica adicional.

### **Sitios web de asistencia técnica de Toshiba**

#### **Estados Unidos**

[pcsupport.toshiba.com](http://pcsupport.toshiba.com)

### **Centros de asistencia al cliente de Toshiba**

#### **Estados Unidos**

Llamadas en Estados Unidos: (888) 592-0944

Llamadas desde fuera de Estado Unidos: (949) 583-3305

---

## Especificaciones

Esta sección resume las especificaciones técnicas del Monitor Móvil LCD de Toshiba\*.

### Monitor LCD

|                       |                      |
|-----------------------|----------------------|
| Tipo de monitor       | LCD de 14.0 pulgadas |
| Relación de contraste | 400:1 (Típ.)         |

### Fuente de alimentación

#### Adaptador de CA

(Adaptador de CA vendido por separado).

|            |              |
|------------|--------------|
| Voltaje    | 100-240 V CA |
| Frecuencia | 50-60 Hz     |

---

**NOTA** Este requisito de voltaje sólo es relevante cuando se utiliza el adaptador de CA opcional.

---

### Funciones operativas

|                                 |   |
|---------------------------------|---|
| Resolución máxima               | HD (1366 x 768)                                     |
| Brillo                          | 220 cd/m <sup>2</sup>                               |
| Tiempo de respuesta             | 16 ms   |
| Color de la pantalla            | 256.000   |
| Sistema de señal de entrada     | 18 bits   |
| Interfaz                        | Conector Mini-B                                     |
| Sistemas operativos compatibles | Microsoft® Windows® XP, Windows Vista® y Windows® 7 |

---

**NOTA** La relación de contraste y el brillo indicados sólo están disponibles con alimentación del 100%, que se obtiene cuando se utiliza el adaptador de CA (adaptador de CA vendido por separado).

---

---

## Especificaciones físicas

|                                   |   |
|-----------------------------------|---|
| Dimensiones (Anc. x Alt. x Prof.) | Aproximadamente 340,5 x 239,5 x 15,5 mm (13,4 x 9,4 x 0,6 pulgadas) |
| Peso neto                         | Aproximadamente 795 g (1,75 lb)                                     |

## Consideraciones medioambientales

|                               |                             |
|-------------------------------|-----------------------------|
| Temperatura de funcionamiento | 5° a 35° C (41° a 95° F)    |
| Temperatura de almacenamiento | -20° a 60° C (-4° a 140° F) |
| Humedad en funcionamiento     | 20% a 90%                   |
| Humedad de almacenamiento     | 10% a 90%                   |

\* Todas las especificaciones están sujetas a cambios sin previo aviso.

# Índice

## B

botón

- botón de encendido 9
- control del brillo (abajo) 10
- control del brillo (arriba) 10

brillo

- ajuste 14

## C

Características 8

Centros de asistencia al cliente de Toshiba 17

configuración

- monitor 10

contenidos de la caja 8

cubierta de protección convertible  
monitor 10

## E

especificaciones

- consideraciones ambientales 19
- especificaciones físicas 19
- fuelle de alimentación 18
- fuelle de alimentación, adaptador de CA 18
- funciones operativas 18
- monitor 18

## I

íconos

- seguridad 3

información de contacto 7

instrucciones

- seguridad 4

## M

monitor

- conexión a la computadora 12
- configuración 10
- cubierta de protección convertible 10
- desconexión 14
- limpieza 15

uso 14

## N

niveles de brillo

- alimentación de CA 14
- alimentación USB 14

## P

puerto

- enchufe CC (DC-IN) 19V 10
- Mini puerto USB 9

## R

referencia rápida 9

## S

seguridad

- íconos 3

Sitios web de asistencia técnica de Toshiba 17

solución de problemas 16



## Free Manuals Download Website

<http://myh66.com>

<http://usermanuals.us>

<http://www.somanuals.com>

<http://www.4manuals.cc>

<http://www.manual-lib.com>

<http://www.404manual.com>

<http://www.luxmanual.com>

<http://aubethermostatmanual.com>

Golf course search by state

<http://golfingnear.com>

Email search by domain

<http://emailbydomain.com>

Auto manuals search

<http://auto.somanuals.com>

TV manuals search

<http://tv.somanuals.com>