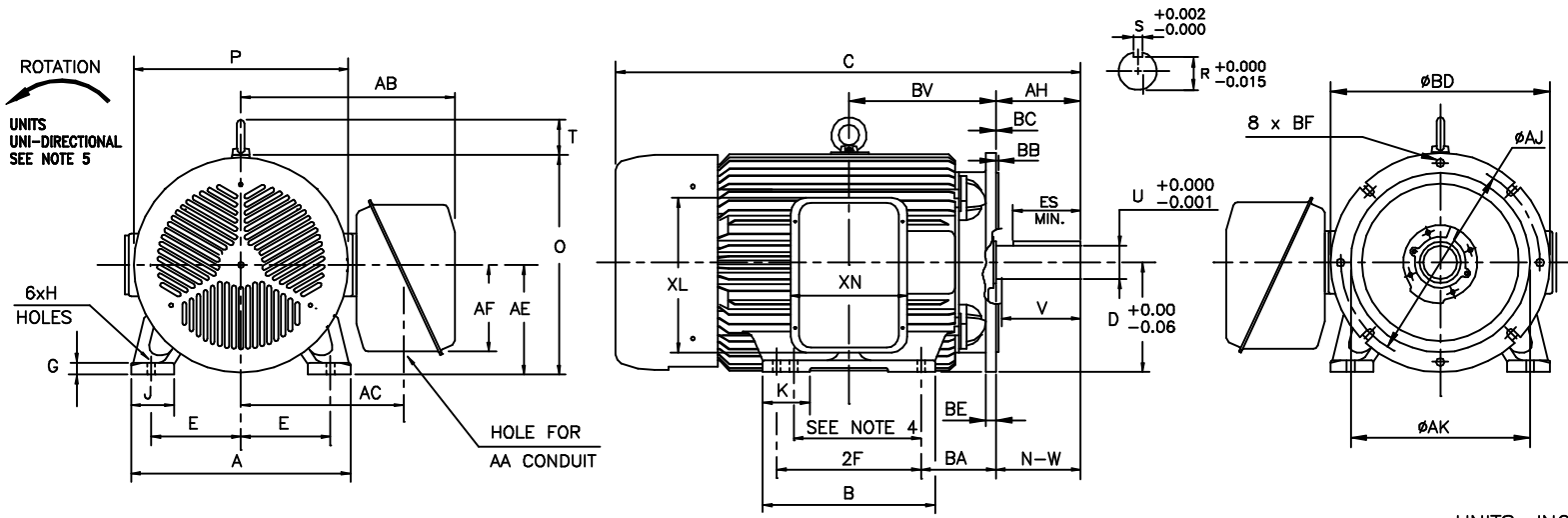


INDEX	MDSL0008-11
REV. LEVEL	0
SHEET	1 OF 1



UNITS: INCHES

FRAME SIZE	MOUNTING				FLANGE							CONDUIT BOX						
	E	2F	H	BA	AJ	AK	BB	BC	BD	BE	BF	AA	AB	AC	AE	AF	XL	XN
444TD	9.00	14.5	0.81	7.50	20.00	18.000	0.25	0.00	22.00	1.00	0.81	3.00	21.5	16.3	11.0	8.7	15.5	11.7
445TD	9.00	16.5	0.81	7.50	20.00	18.000	0.25	0.00	22.00	1.00	0.81	3.00	21.5	16.3	11.0	8.7	15.5	11.7

FRAME SIZE	MOTOR DIMENSIONS										
	A	B	C	D	G	J	K	BV	O	P	T
444TD/445TD	22.0	19.3	48.7	11.00	1.2	4.3	4.7	15.5	22.0	21.6	4.0

FRAME SIZE	SHAFT EXTENSION				KEY SEAT			BEARINGS		MAXIMUM WEIGHT
	N-W	AH	V	U	R	S	ES	LS	OS	
444TD/445TD	8.50	8.50	8.25	3.375	2.88	0.875	6.91	6318C3	6318C3	2010 lbs.

- NOTES:
1. DIMENSION V REPRESENTS LENGTH OF STRAIGHT PART OF SHAFT
  2. CONDUIT BOX MAY BE ROTATED IN 90° INCREMENTS AND MAY BE MOUNTED ON OPPOSITE SIDE ON SPECIAL ORDER.
  3. "TS" KEY DIMENSIONS EQUAL S x S x 6.88 (MOTOR SUPPLIED WITH KEY)
  4. DIMENSIONS FOR 444T MOUNTING EQUAL (2F) LOCATED IN 444T SIDE VIEW.
  5. STANDARD UNITS USE UNI-DIRECTIONAL FAN. OPPOSITE ROTATION AVAILABLE ONLY BY FAN AND CONNECTION CHANGE.
  6. MOTOR WEIGHT SHOWN IS MAXIMUM HORSEPOWER IN FRAME.

ALL DATA SUBJECT TO CHANGE WITHOUT NOTICE.  
FOR CONSTRUCTION USE ONLY CERTIFIED DATA.

CERTIFIED DATA

CUSTOMER: \_\_\_\_\_ P.O. NO.: \_\_\_\_\_ TAG NO.: \_\_\_\_\_  
 MOTOR MODEL NO.: \_\_\_\_\_ TOSHIBA FILE NO.: \_\_\_\_\_  
 HP: \_\_\_\_\_ RPM (SYN.): \_\_\_\_\_ VOLTAGE: \_\_\_\_\_ Hz: \_\_\_\_\_  
 FRAME SIZE: \_\_\_\_\_ LOG NO.: \_\_\_\_\_ LOG REV. LEVEL: \_\_\_\_\_  
 REMARKS: \_\_\_\_\_  
 \_\_\_\_\_  
 PER: \_\_\_\_\_ ISSUE DATE: \_\_\_\_\_ SUPERSEDES: \_\_\_\_\_

**TOSHIBA/HOUSTON**  
 TOTALLY-ENCLOSED  
 FAN-COOLED  
 FOOT-MOUNTED  
 WITH D-FACE FLANGE  
 Fr. 444TD-445TD  
 4-8 POLE

SL000811

## Free Manuals Download Website

<http://myh66.com>

<http://usermanuals.us>

<http://www.somanuals.com>

<http://www.4manuals.cc>

<http://www.manual-lib.com>

<http://www.404manual.com>

<http://www.luxmanual.com>

<http://aubethermostatmanual.com>

Golf course search by state

<http://golfingnear.com>

Email search by domain

<http://emailbydomain.com>

Auto manuals search

<http://auto.somanuals.com>

TV manuals search

<http://tv.somanuals.com>