



INSTALLATION GUIDE FOR:

# RADIO MODELS IM-100/IM-200/IM-300

Printed in Korea

128-4075

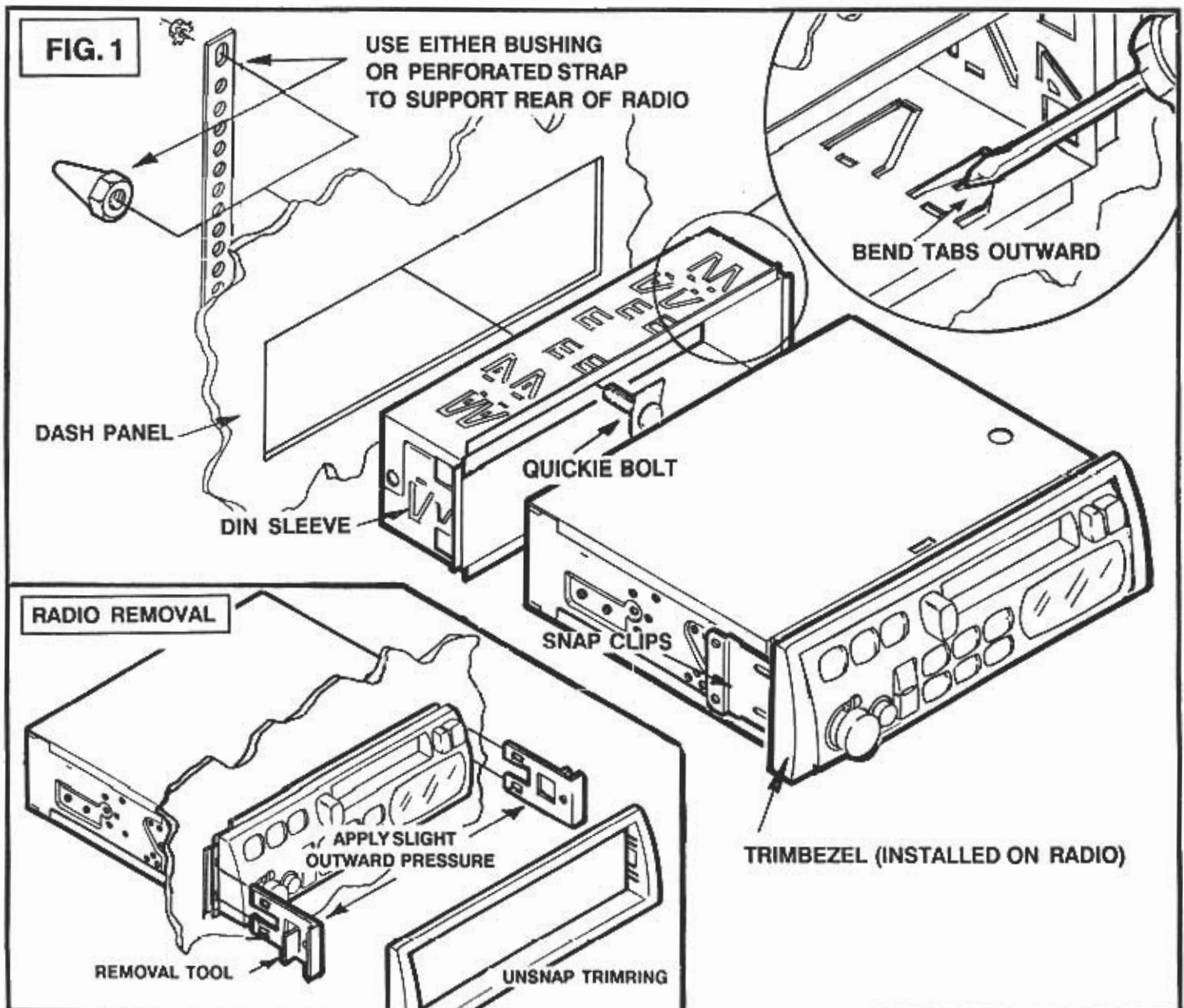
## DIN MOUNTING (EXAMPLE: VOLKSWAGON) SEE FIG. 1

1. Verify opening is within following dimensions:
  - A. Height 52mm - 53mm (2 3/64" - 2 3/32")
  - B. Width 182mm - 184mm (7 5/32" - 7 1/4")
2. If opening is less, carefully file to exact size required (**DO NOT OVER FILE**).
3. Remove din sleeve from radio and place into opening.
4. Bend tabs outward to lock sleeve into dash.

5. Pre-wire radio. Slide radio into din sleeve until it locks into place. **Note:** Use either rear bushing or perforated strap to secure rear of radio.

## RADIO REMOVAL (IF NECESSARY)

1. Unsnap trimming on face of radio.
2. Insert removal tool in slotted holes on sides of radio until bottomed. Spread tools outward slightly and pull radio toward you. Remove tools and slide radio fully out.



### FACTORY STYLE INSTALLATION

(EXAMPLE: TOYOTA) SEE FIG. 2:

1. Remove factory radio dash panel to expose sub-dash.
2. Remove radio bracket assembly from sub-dash.
3. Remove and discard radio dummy panel attached to factory radio bracket assembly.
4. Install radio into bracket assembly using special

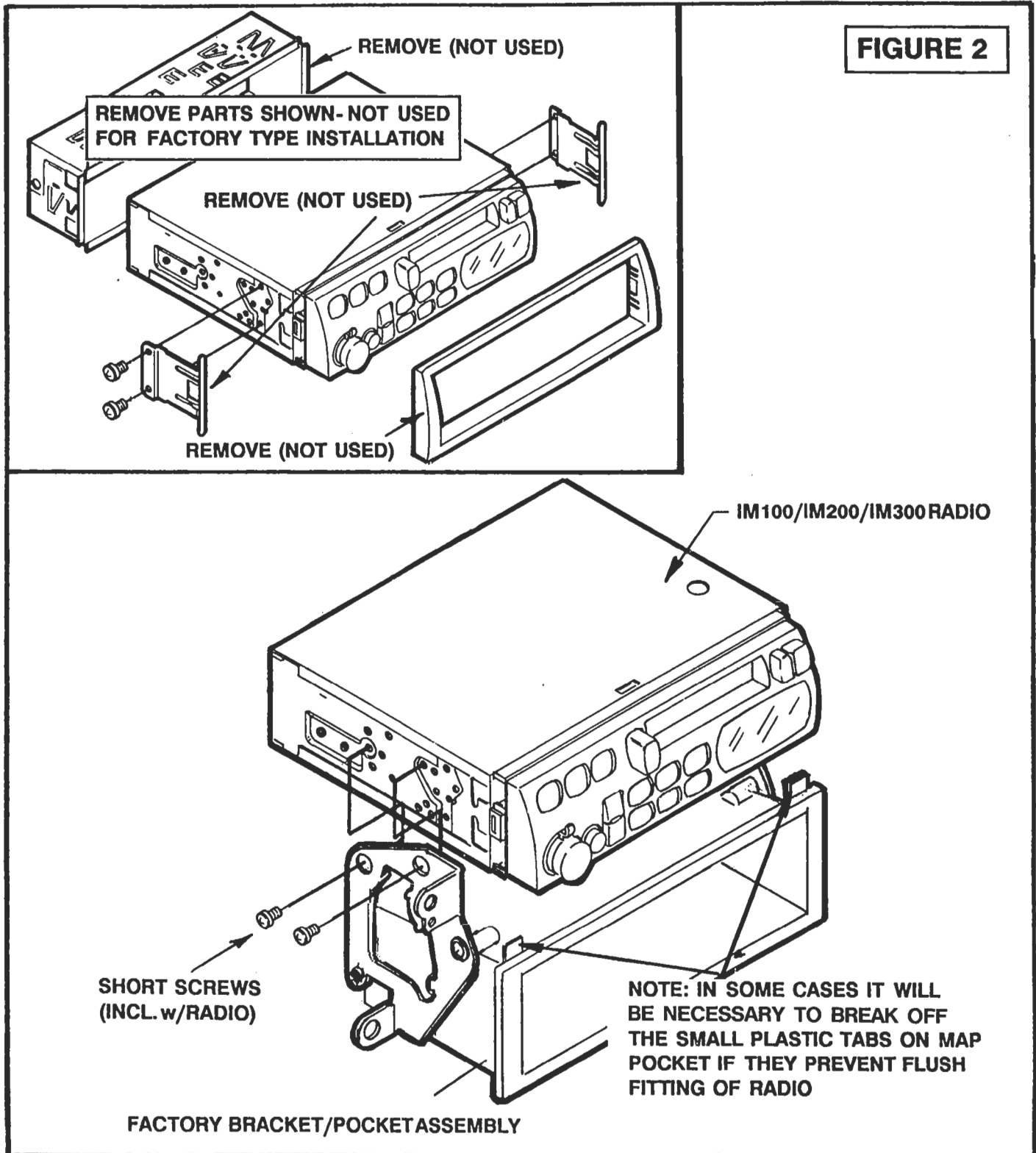
screws included with radio (see fig. 2)

**CAUTION:** Do not use longer screws or damage to internal parts of radio may occur

5. Re-install radio / bracket assembly after wiring radio.
6. Replace dash panel.

### RADIO REMOVAL (IF NECESSARY)

1. Reverse installation procedure.



## Free Manuals Download Website

<http://myh66.com>

<http://usermanuals.us>

<http://www.somanuals.com>

<http://www.4manuals.cc>

<http://www.manual-lib.com>

<http://www.404manual.com>

<http://www.luxmanual.com>

<http://aubethermostatmanual.com>

Golf course search by state

<http://golfingnear.com>

Email search by domain

<http://emailbydomain.com>

Auto manuals search

<http://auto.somanuals.com>

TV manuals search

<http://tv.somanuals.com>