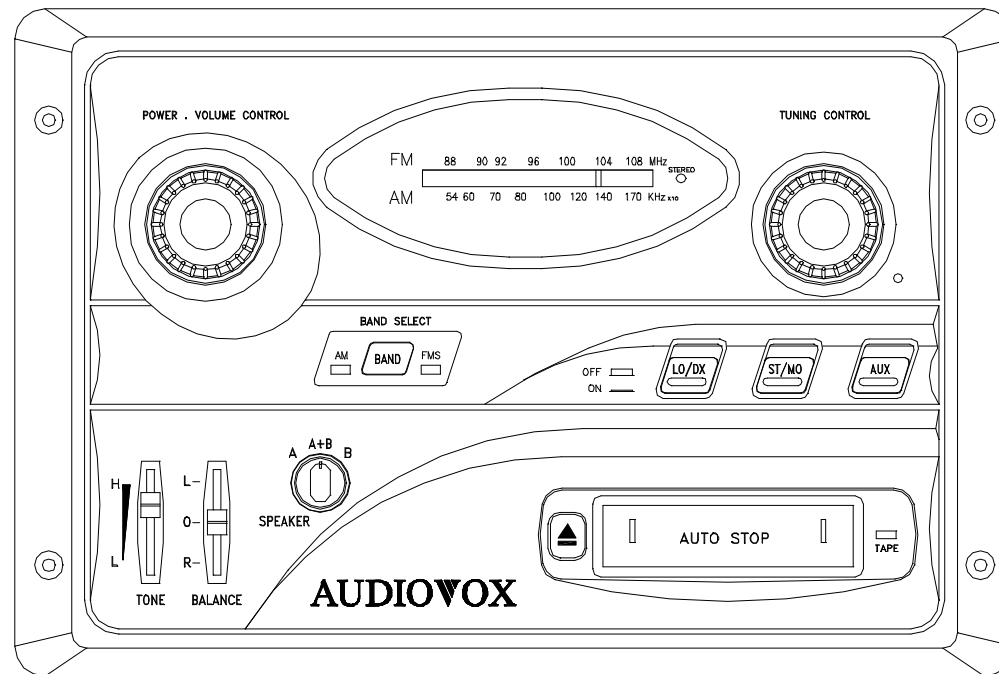


# AUDIOVOX

## AWM-710 OWNER'S MANUAL

### AM/FM STEREO/CASSETTE PLAYER

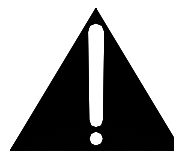


**DESIGNED SPECIFICALLY FOR  
THE VAN AND RV INDUSTRIES**

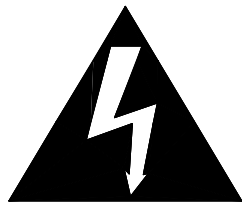


## CAUTION

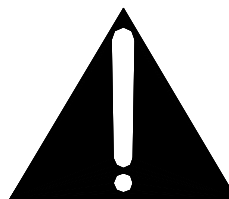
RISK OF ELECTRIC SHOCK  
DO NOT OPEN



CAUTION: TO REDUCE THE RISK OF ELECTRICAL SHOCK, DO NOT REMOVE COVER (ON BACK). NO USER- SERVICIBLE PARTS INSIDE. REFER SERVICING TO QUALIFIED PERSONNEL.



The lightning flash and arrowhead within the triangle is alerting you of “dangerous voltage” inside the product.



The exclamation point within the triangle is A warning sign alerting you of important Instructions accompanying the product.

WARNING: TO PREVENT FIRE OR SHOCK HAZARD, DO NOT EXPOSE THIS APPLIANCE TO RAIN OR MOISTURE. DO NOT REMOVE COVER. PILOT LAMPS SOLDERED IN PLACE. NO USER SERVICABLE PARTS INSIDE. REFER SERVICING TO QUALIFIED PERSONNEL.

## IMPORTANT NOTES

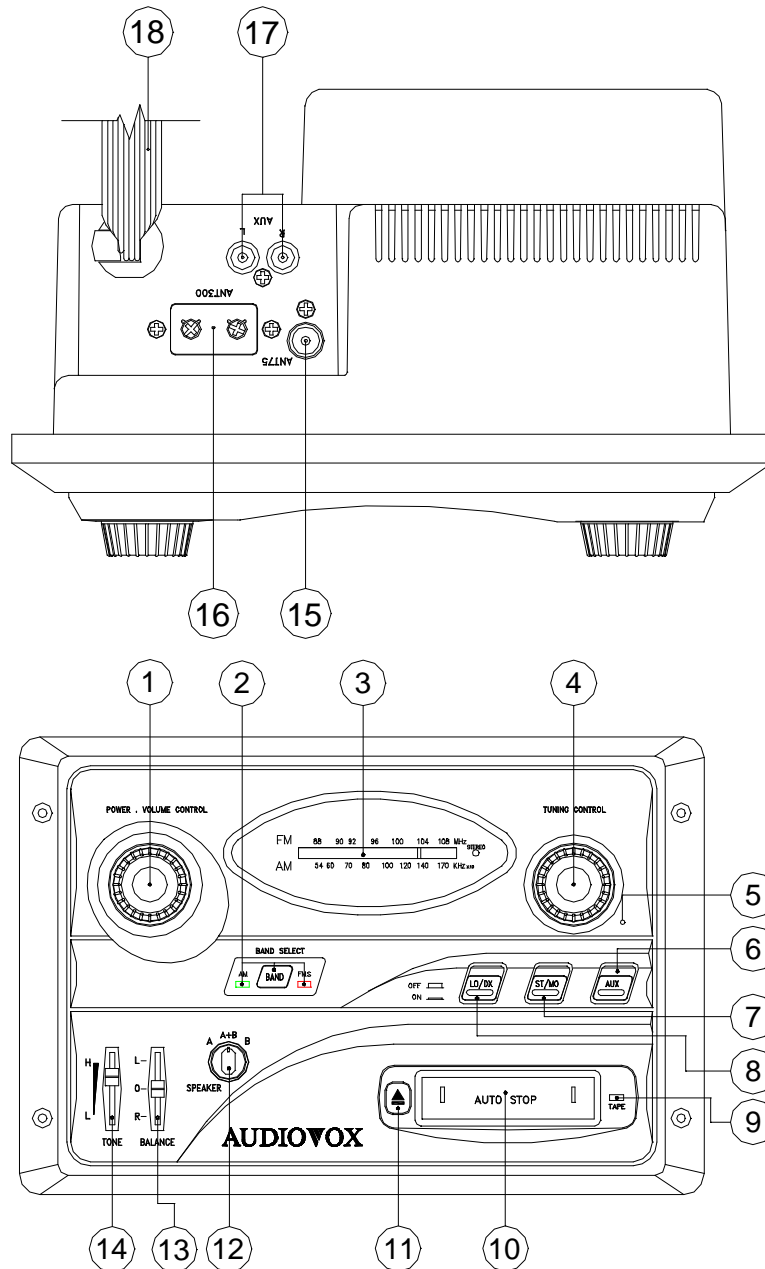
Avoid installing the unit in locations described below:

- Places exposed to direct sunlight or close to heat radiating appliances such as electric heaters.
- On top of other stereo equipment that radiates too much heat.
- Places lacking ventilation or dusty places.
- Humid or moist places

Read owner's manual before operating.

Be sure all connections are properly made  
Before turning power on.

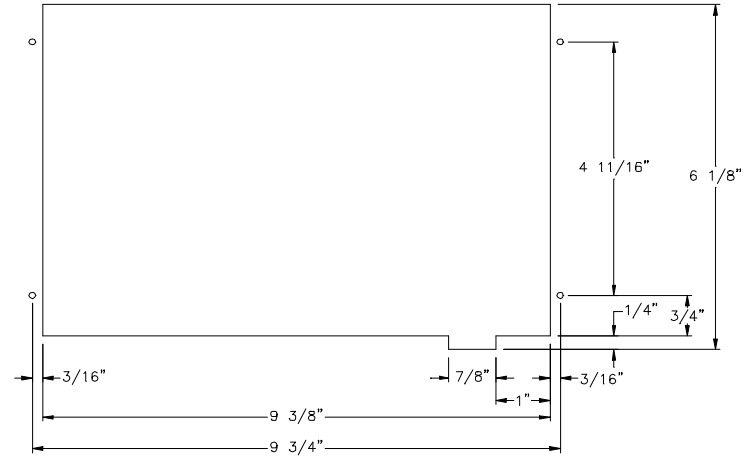
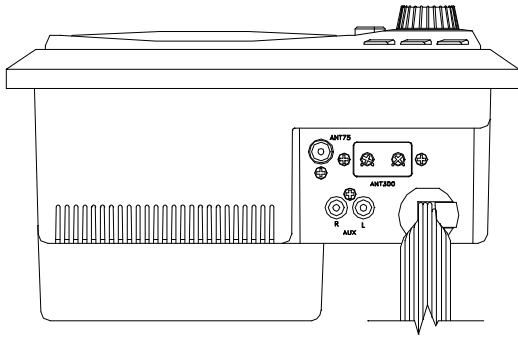
# IDENTIFICATION OF CONTROL/CONNECTIONS



1. Power / Volume Knob
2. Band Select Button / Band Indicators
3. Station Indicator / No Back lighting
4. Tuning Control
5. AM Trimmer
6. Auxiliary Button
7. Stereo / Mono Button
8. Local / Distance Button
9. Tape Indicator
10. Cassette Player
11. Cassette Eject / Fast Forward Button
12. Speaker Select
13. Balance Slider
14. Tone Slider
15. Car Antenna Jack 75Ω
16. FM Antenna Terminals
17. RCA Auxiliary Input Jacks
18. Harness

# INSTALLATION AND HOOK-UP

1. Cut mounting hole in desired location using mounting hole diagram (right).
2. Route power, speaker, and antenna cables through hole and connect to unit as shown below.
3. After making sure connections are correct, test unit operation as described in operation section.
4. For best AM reception, AM trimmer must be adjusted.

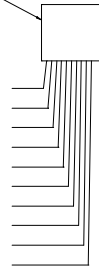


## Notes:

- When hooking up two speakers, hook A+ and A- speaker wires to speaker select A speaker on switch. A & B and B will not have any output at this time.
- B speakers are optional
- Speakers must have a minimum of four ohm impedance each.
- Either antenna may be used. Both do not have to be hooked up at the same time.
- Do not operate this unit with only one speaker hooked up. If a speaker fails, replace it before operating this unit.

12 PIN FEMALE CONNECTOR  
WIRING COLOR CODE  
FOR AWM-710

COLOR	FUNCTION
ORANGE/WHITE	+12VDC IGNITION HOT
BLACK/WHITE	GROUND
WHITE	A SPEAKER LEFT (+)
VIOLET	A SPEAKER LEFT (-)
BLUE	A SPEAKER RIGHT (+)
LIGHT GREEN	A SPEAKER RIGHT (-)
RED	B SPEAKER LEFT (+)
VIOLET/BLACK	B SPEAKER LEFT (-)
YELLOW	B SPEAKER RIGHT (+)
LT.GREEN/BLACK	B SPEAKER RIGHT (-)



NOTE: Always be sure when running cables to avoid sharp edges, extreme heat sources, and any other potential hazards.

# OPERATING INSTRUCTIONS

Note: Number in parenthesis (#) correspond with "Identification of Controls/Connections" on page 1 of this manual.

## Tuner

- 1) Turn power on by turning the Power Switch/Volume Control knob (1) clockwise.
- 2) Use the Band Selector (2) to select either AM or FM.
- 3) Use the Speaker Selector Switch (12) to choose speaker output.
- 4) Use the Tuner Control (4) to select station.
- 5) Adjust Volume Control (1) to suit taste.
- 6) If reception is faint, you may improve reception by pressing the Local/Distance Button (8) in.
- 7) You may also improve reception on a faint station by pushing the Stereo/Mono Button (7) to the "off" position. This puts the radio in mono mode, and you will not receive stereo reception. The Stereo Light (to the right of the Station Indicator) will light up if you are receiving a stereo signal.

## Cassette Tape Player

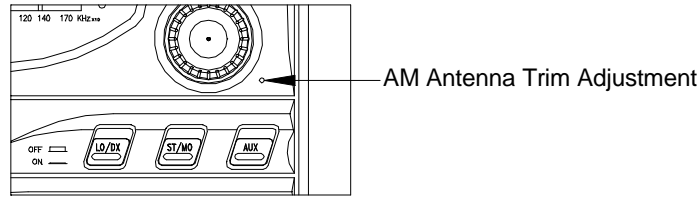
- 1) Turn power on by turning the Power Switch / Volume Control knob (1) clockwise.
- 2) Use the Speaker Selector Switch (12) to choose speaker output.
- 3) Press the Cassette Eject Button (11) to eject any cassettes that may already be in the player.
- 4) Insert a cassette into the Cassette Player (10).
- 5) The cassette will automatically play when inserted.
- 6) The Tape Indicator (9) will light up when a cassette is in use.
- 7) You may fast forward the cassette by pressing the Fast Forward / Eject Button (11) halfway in.
- 8) To eject the cassette, press the Cassette Eject Button (11).

## Auxiliary Input

- 1) Turn the power on by turning the Power Switch / Volume Control knob (1) clockwise.
- 2) Push the Auxiliary Switch (6) on.
- 3) If there is an external source (example: CD shuttle) connected to the Auxiliary In Jacks (17) on the rear of the radio, then you can listen to your external source through the system.

# AM ANTENNA TRIMMER ADJUSTMENT

For best reception, the AM ANT trimmer must be adjusted following the directions below:



- 1) Turn radio ON.
- 2) Select AM.

- 3) Tune the radio to a weak station between 1200KHz and 1400KHz. If you can't find a station in this range, find any other strong station, and adjust tuning knob so that the radio is slightly off station. Turn volume control to maximum setting.
- 4) Using a small flat tip screwdriver, gently turn the trimmer for maximum volume.

## IMPORTANT CASSETTE DECK PRECAUTIONS

- Do not use 120 minute (c-120) cassettes in this unit
- Clean cassette mechanism after every 60 hours of operation. Use only a commercial cassette tape cleaning cartridge.
- Do not use cassette deck if temperature is below freezing. Allow the unit to warm up first.
- Be sure cassette tape is tight before inserting into a cassette deck. See Diagram A below.
- Cassette tapes cannot be recorded onto if the protect tabs have been broken off. See Diagram B below. If you want to protect a tape from being accidentally erased, break off protect tab corresponding to that side.

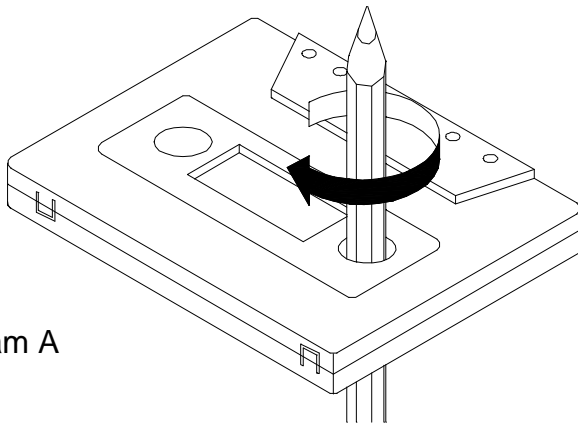


Diagram A

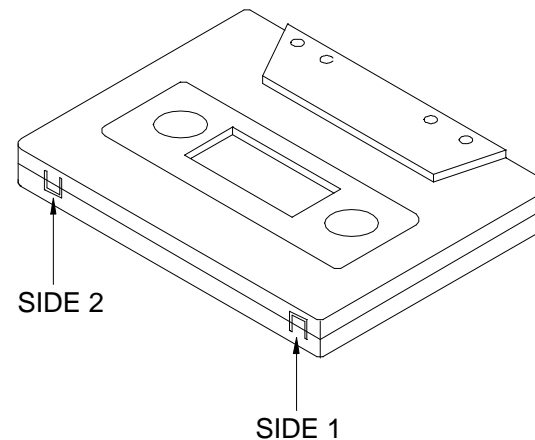


Diagram B

# Specifications

Size:	Overall Size:	10.43 (W) x 7" (H) x 6.25" (D) 265mm (W) x 178mm (H) x 159mm (D)
	Mounting Size:	9.25" (W) x 6.05" (H) x 5.25" (D) 235mm (W) x 154mm (H) x 133mm (D)
Operating Voltage:		10 to 16 Volts DC
Current Draw:		125mA @ 12VDC 170mA @ 24VDC
Output Wiring:		2/4 Speaker and Headphone system
Output Impedance:		Compatible with 4 to 8 $\Omega$ speakers, 4 $\Omega$ load minimum
Tuning Range:		(AM) 530 - 1720KHz (FM) 87.5 - 107.9MHz
Sensitivity:		(AM) less than 30uV (FM) less than 5uV
FM Stereo Separation:		More than 24dB
Frequency Response:		40 – 12,000Hz
Wow & Flutter:		0.15%
Tape S/N Ratio:		50dB standard tape

\*Specifications may change without notice

# Accessory List

Description	Part Number
AVT-988 9" Color Television with Remote (12V)	AVT988
AVT-597 5" Color Television with Remote (12V)	AVT597
AVT-1498 13" Color Television with Remote (12V)	AVT1498
AVP-7000 Video Cassette Player (12V)	AVP7000
AVP-7285 Video Cassette Player (12V)	AVP7285
Wireless Headphone Kit: Includes 2 sets Wireless Headphones and Transmitter	WRFKIT1
BPA-501-12 4 Amp Adapter for use with AVT-988 9" and AVT-1498 13" Televisions	0891412
AC2A- 2 Amp Adapter for use with AVT-597 5" TV and AVP-7000 Video Cassette Player	0891436
Unified Remote Control	0892325
VAC-21- 12 Volt Corded Vacuum	VAC21
AVF-1 12 Volt Rechargeable Flashlight	AVF1
HP-175 Headphones with Pivoting Ear Cup	HP175
HP-275 Headphones with Volume Control on Cord	HP275
HP-375 Studio Quality Headphones	HP375

Unlike household electronics, all of our products have been specifically designed and tested for the mobile environment and are only available through ASA. To order any of these products, please contact Audiovox Specialized Applications at [www.asaelectronics.com](http://www.asaelectronics.com) or 800-688-3135.



**A**AUDIOVOX **S**SPECIALIZED **A**APPLICATIONS, L.L.C.

23319 Cooper Dr. Elkhart, IN 46514

Phone: 800-688-3135 FAX 219-264-3007

Rev. C 12/00



## Free Manuals Download Website

<http://myh66.com>

<http://usermanuals.us>

<http://www.somanuals.com>

<http://www.4manuals.cc>

<http://www.manual-lib.com>

<http://www.404manual.com>

<http://www.luxmanual.com>

<http://aubethermostatmanual.com>

Golf course search by state

<http://golfingnear.com>

Email search by domain

<http://emailbydomain.com>

Auto manuals search

<http://auto.somanuals.com>

TV manuals search

<http://tv.somanuals.com>