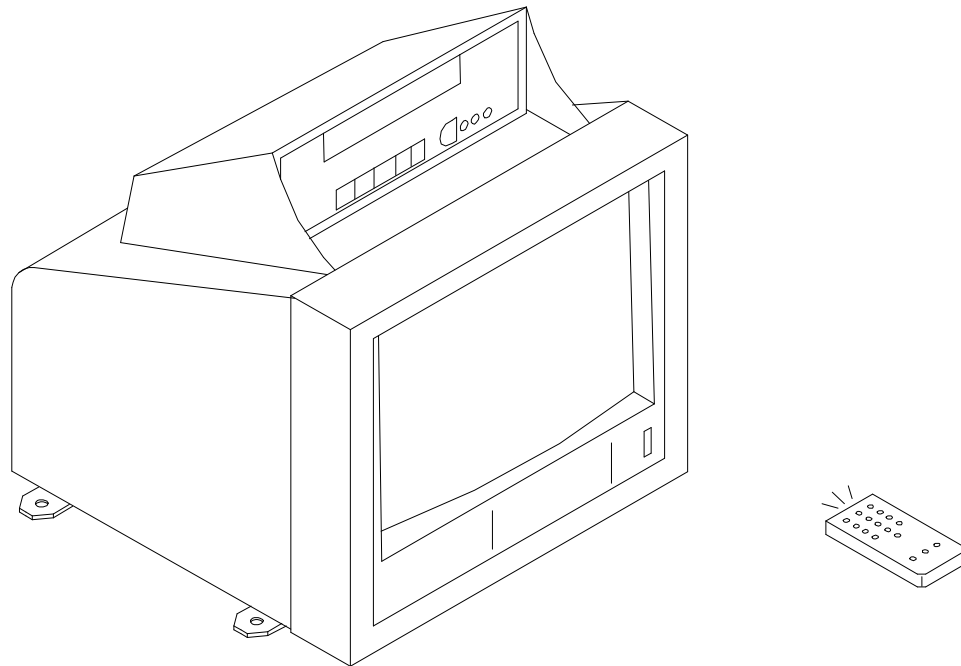


ASA Electronics TV/VCP Floor Console Model K-13 Without Harness and Antenna

12 Volt DC powered remote controlled 13" television AVT-1475

12 Volt DC powered remote controlled VHS Video Cassette Player AVP-7000

Installation Instructions



Audiovox Specialized Applications, LLC.
"The Mobile Electronics Company"
23319 Cooper Drive
Elkhart IN 46514
1 (219) 264-3135
www.audiovox.com

This manual contains specific instructions on how to install this automotive TV/VCP floor console. Please read this manual thoroughly before installing the console into the vehicle.

****WARNING****

In order to maintain a safe mounting system, this console **MUST** be secured to the floor of the vehicle according to the instructions contained in this manual. Failure to do so may result in the console becoming a projectile in the event of an accident.

It is unlawful in most jurisdictions for a person to drive a motor vehicle which is equipped with a television viewer or screen that is located in the motor vehicle at any point forward of the back of the driver's seat, or that is visible, directly or indirectly, to the driver while operating the vehicle. This product should **only** be installed to the rear of the back of the driver's seat where it will not be visible, directly or indirectly, to the operator of the vehicle.

Required tools for installation:

- Electric drill
- ¼" steel drill bit
- 1/8" steel drill bit
- Phillips screwdriver
- Socket wrench set with size 7/16" socket
- Box end wrench size 7/16"
- Soldering Iron

Two people are required for installation

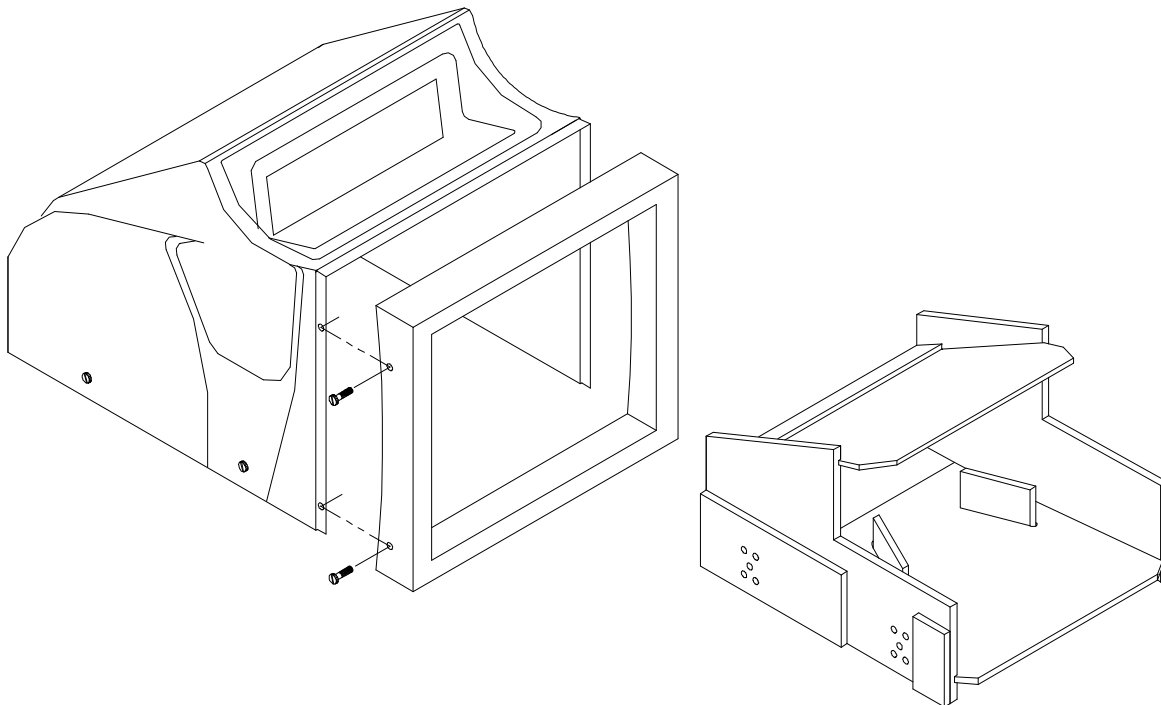
	QTY
0892110 Bracket Kit	1
8007101 Bracket	4
8007105 Screw, hex #8x3/4" self-drilling	20
8007106 Washer, 3/16"	20
8007112 Strap, open 55.75", nylon	1
8007113 Strap, loop 45.75", nylon	1
8007125 Bolt, ¼"x1 ½", hex	4
8007126 Washer, fender 5/16"	4
8007128 Nut, nylon insert 5/16"	4
8007131 Installation manual	1
8051005 Poly bag 5x9	1

There are six (6) steps to install the K-13 TV/VCP floor console:

- Step # 1 Disassemble shroud
- Step # 2 Install brackets and straps
- Step # 3 Mount the console on the floor of the vehicle
- Step # 4 Install the VCP
- Step # 5 Install the TV
- Step # 6 Replace the console face and rear shroud

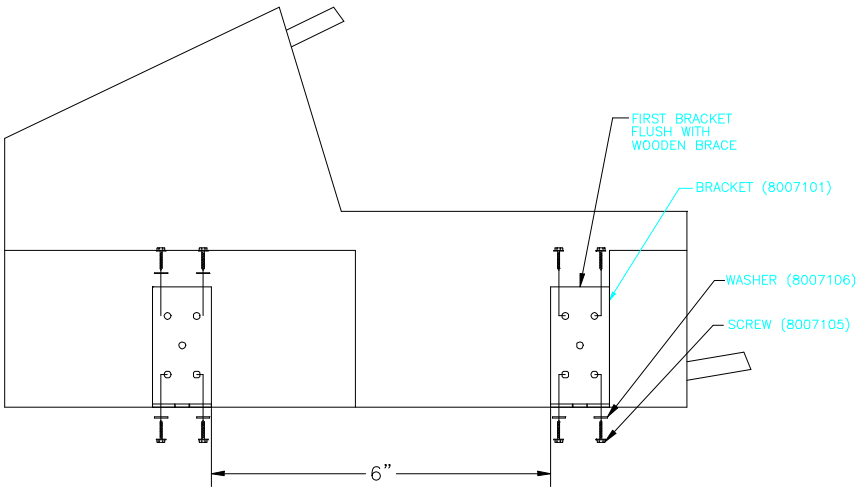
STEP #1) Disassemble shroud.

⇒ Remove the 4 Phillips screws securing the face of the console.

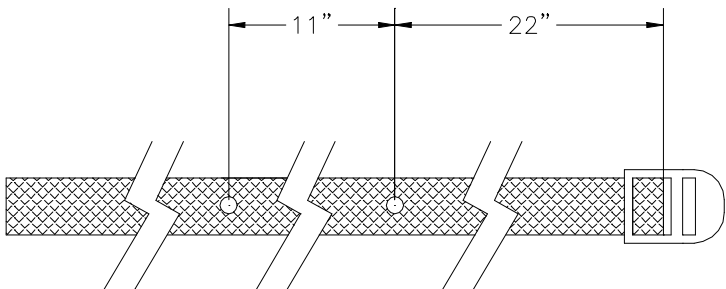
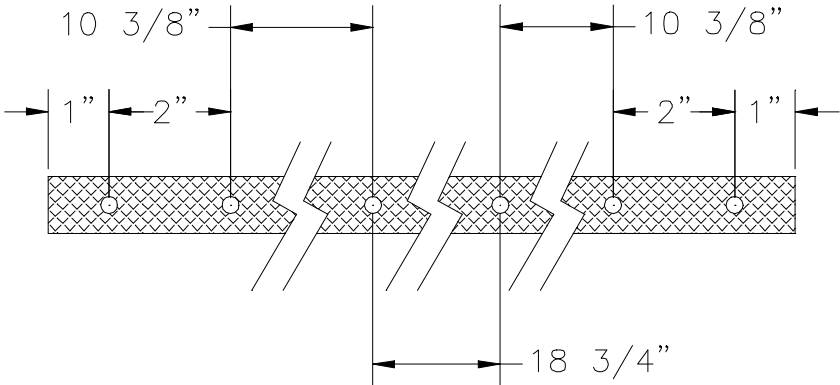


Step #2) Install brackets and straps

1) Mount brackets, using only four screws. Do not use center hole.

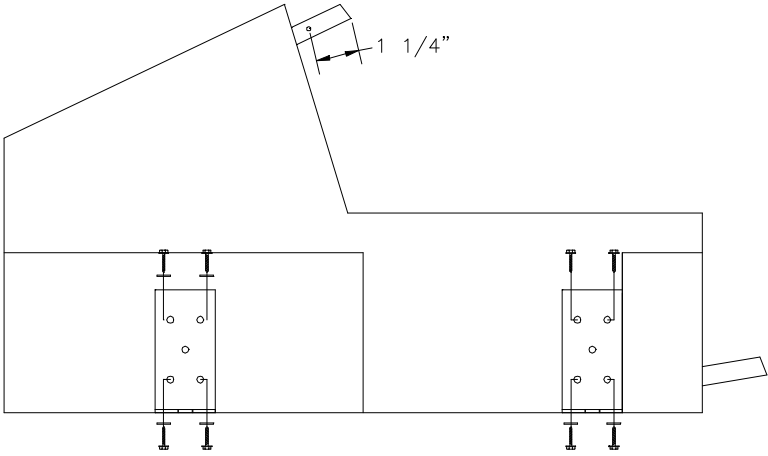


2) Use soldering iron, if necessary, to melt holes in open strap and loop strap, as shown.

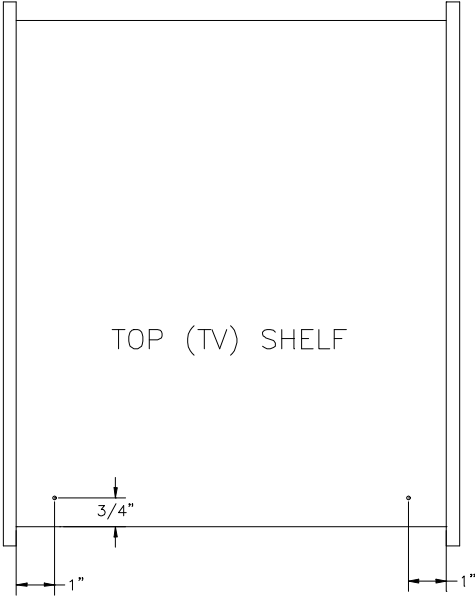


3) Pre-drill pilot holes on side of VCP shelf (A) and on bottom of TV shelf (B) using 1/8" drill bit.

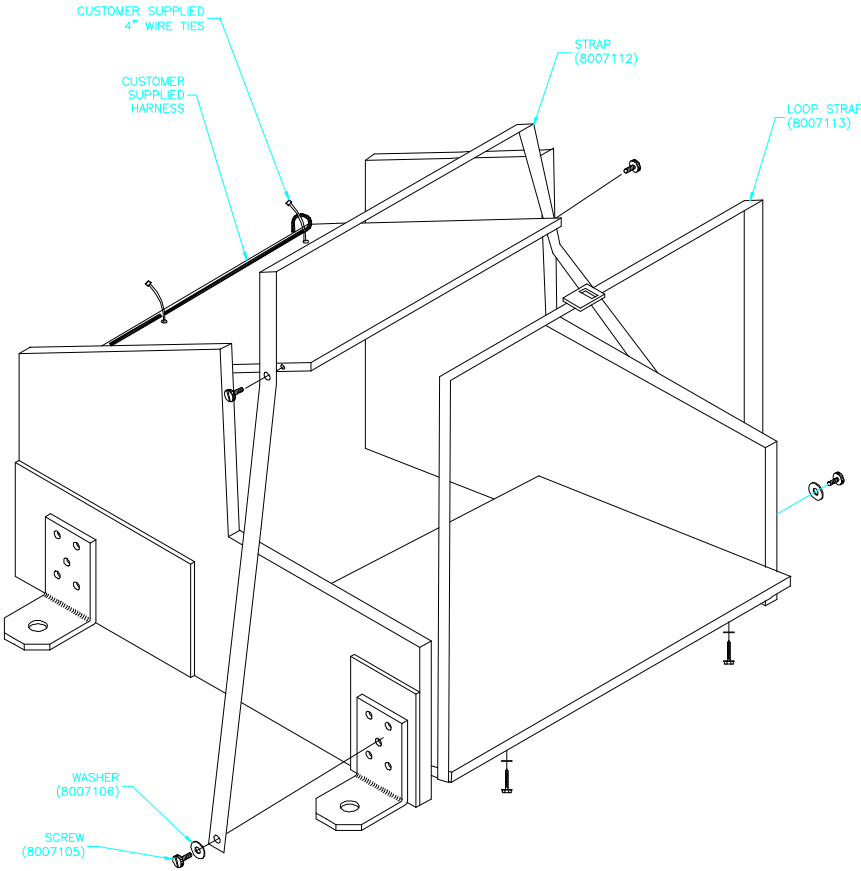
(A)



(B)

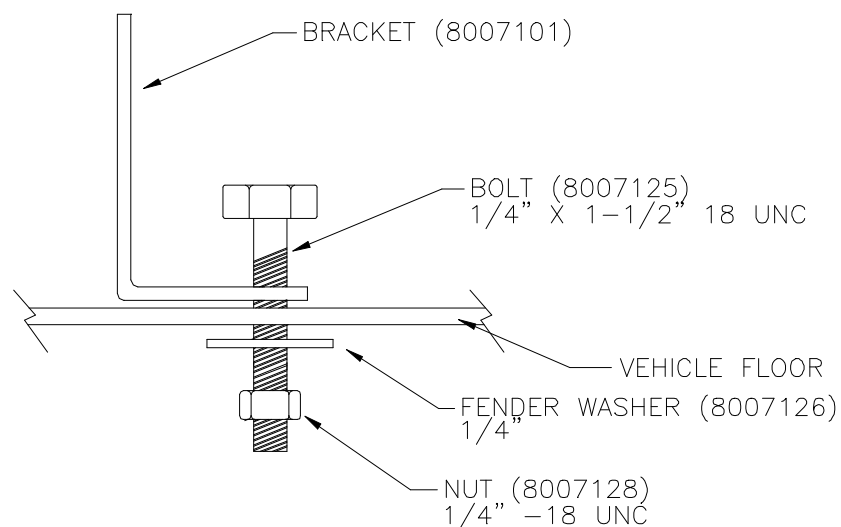


4) Attach both straps, use TV and VCP to help locate strap if necessary.



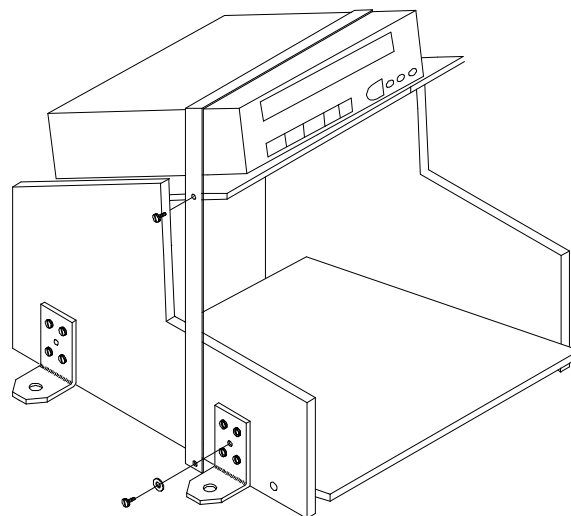
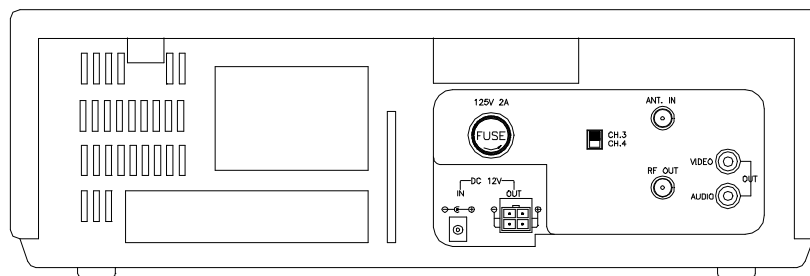
Step 3) Install console to floor of vehicle.

- ⇒ BEFORE DRILLING ANY HOLES VERIFY THAT THE DRILL BIT WILL NOT ENTER INTO THE FRAME RAIL(S) OF THE VEHICLE, ELECTRICAL WIRES, FUEL LINES, BRAKE LINES, HOSES, EXHAUST SYSTEMS OR ANY OTHER ITEMS THAT WILL IMPAIR THE OPERATION OF THE VEHICLE. THE BOLTS OF THE FLOOR CONSOLE MUST SECURE TO THE FLOOR PANEL OF THE VEHICLE. CLIMB UNDER THE VEHICLE AND LOOK TO VERIFY THAT THE HOLES WILL BE IN THE PROPER LOCATIONS.
- ⇒ Set the console on the floor and of the vehicle and mark where the holes are to be drilled. Drill small 1/8" pilot holes to verify that the drill holes are in the proper locations.
- ⇒ After verifying that the 1/8" pilot holes are in the proper locations, use the 1/4" drill bit to widen out the 1/8" pilot holes.
- ⇒ Set the console on the floor over the vehicle.
- ⇒ Place the bolts through the feet of the console and into the holes just drilled.
- ⇒ Place one large fender washer and one lock washer over each of the bolts and attach the nuts.
- ⇒ Tighten the nuts down securely. Have the second person inside the vehicle hold the bolts securely while the person underneath the vehicle tightens down the nuts.



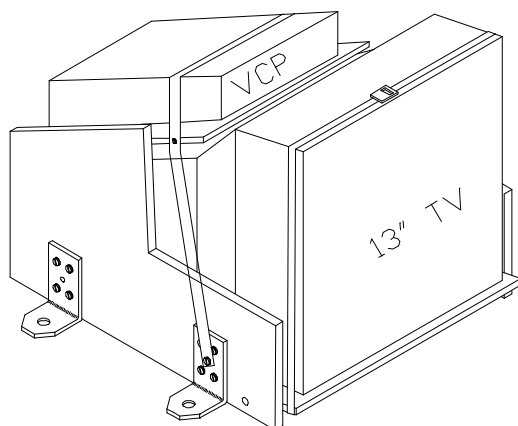
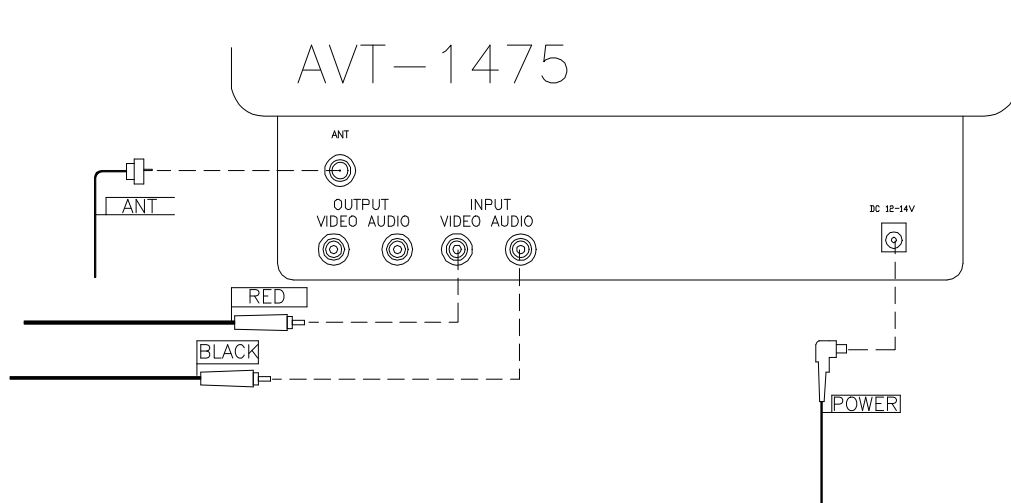
Step 4) Install the VCP into the console.

- ⇒ Remove the VCP from the box.
- ⇒ Connect the white RCA connector (customer supplied) from the console to the white audio output of the VCP
- ⇒ Connect the yellow RCA connector (customer supplied) from the console to the yellow audio output of the VCP
- ⇒ Connect the DC power connector (customer supplied) to the DC power jack of the VCP.
- ⇒ Slide the VCP into the slot in the front of the console
- ⇒ Secure the VCP into the console with the supplied strap



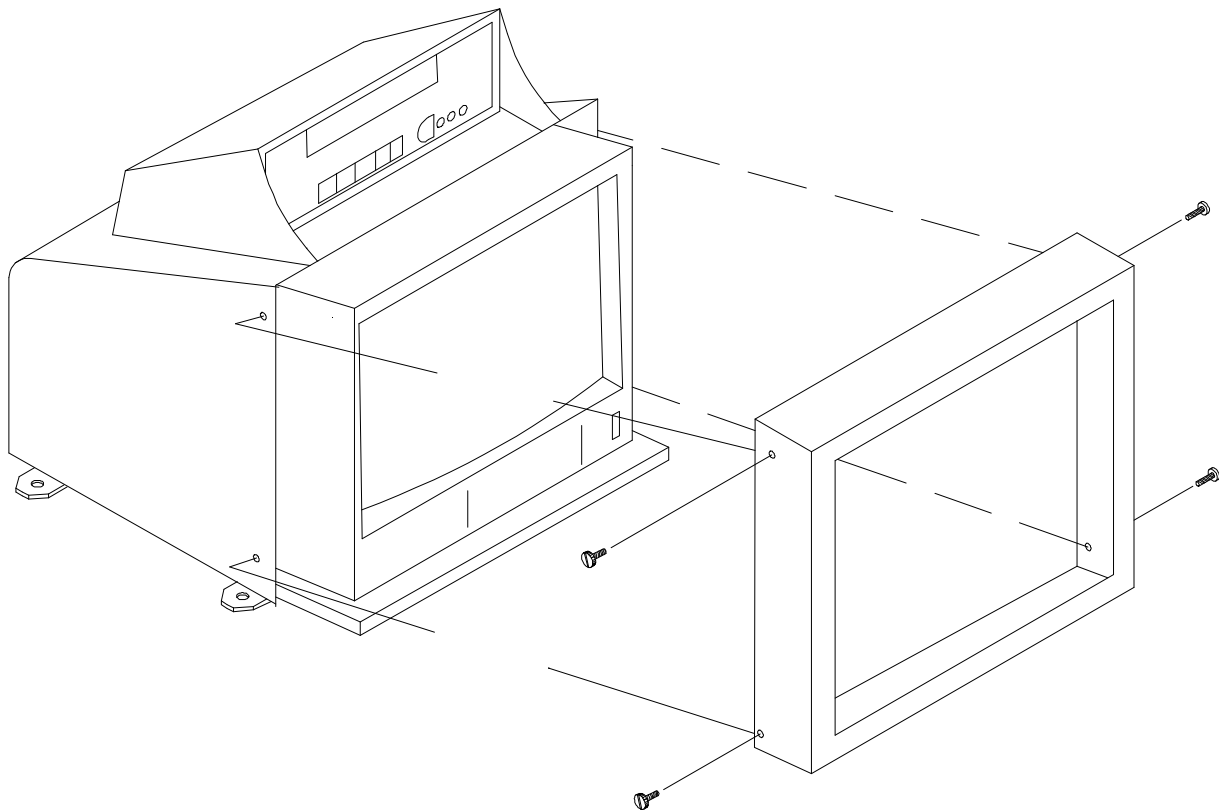
Step 5) Install the TV into the console.

- ⇒ Connect the yellow RCA patch cord (customer supplied) to the yellow RCA video input jack on the rear of the television
- ⇒ Connect the white RCA patch cord (customer supplied) to the white RCA audio input on the rear of the television
- ⇒ Connect the DC power connector (customer supplied) to the rear of the television
- ⇒ Connect the antenna “F” connector (customer supplied) to the rear of the television
- ⇒ Place the television on the shelf of the console.
- ⇒ Secure the television down with the strap. Make absolutely certain that the strap is tight and secure.



Step 6) Replace the rear shroud and face of console.

- ⇒ Place the rear and face of the console over the body of the console. Gently tap into place.
- ⇒ Reinstall the four Phillips screws that held the face to the body.



Free Manuals Download Website

<http://myh66.com>

<http://usermanuals.us>

<http://www.somanuals.com>

<http://www.4manuals.cc>

<http://www.manual-lib.com>

<http://www.404manual.com>

<http://www.luxmanual.com>

<http://aubethermostatmanual.com>

Golf course search by state

<http://golfingnear.com>

Email search by domain

<http://emailbydomain.com>

Auto manuals search

<http://auto.somanuals.com>

TV manuals search

<http://tv.somanuals.com>