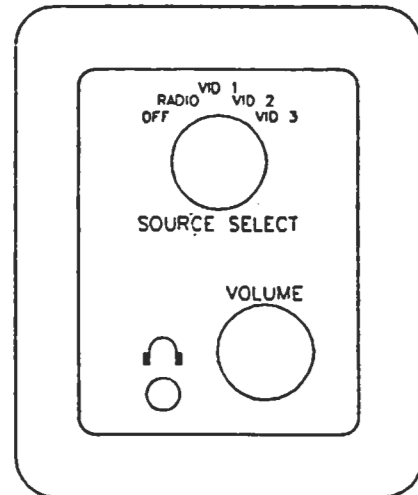
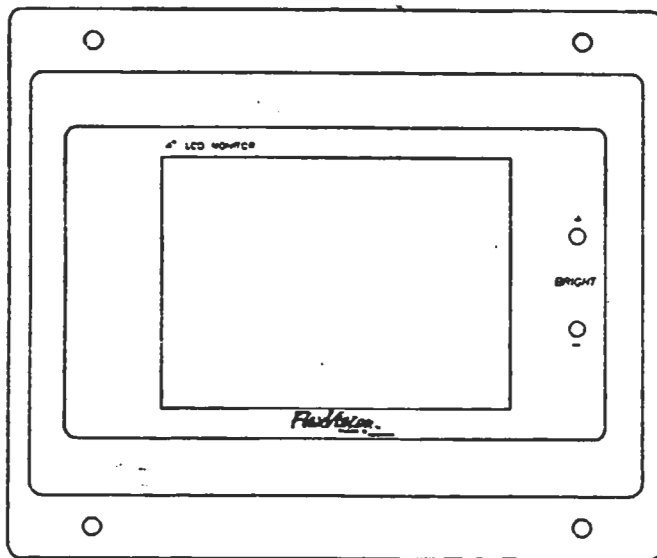


# Owners Manual

# FlexVision™

Products by  
AUDIOVOX



"FlexVision" Specifically Designed  
for the Van Conversion Industry

## LCD (LIQUID CRYSTAL DISPLAY) MONITOR

The operation of the LCD monitor is a very simple operation. There are two brightness buttons on the unit for increasing brightness (+) and decreasing brightness (-). These buttons will adjust brightness for the type of video source being used, and also adjust for the viewing angle. See Figure 1. The color and the tint of the monitor are factory preset, but if the monitor is ever in need of adjustment there are color and tint controls on rear of monitor. See Figure 2.

### PRECAUTIONS:

- \*Use the unit in the temperature ranges of 0 C to 60 C (32 F to 140 F).
- \*Do not push on the LCD display, forcibly pushing on the display may damage the picture quality of the unit.
- \*When using unit in cold surroundings, delayed or double images may appear. This is not a defect of the unit. When the monitor warms up, the video will become normal again.
- \*Clean unit with a soft cloth slightly dampened with a mild detergent. A strong solvent used to clean the monitor can damage the finish of the unit.
- \*Due to the extreme manufacturing tolerances required, even in a high quality screen, it is possible that the display might evidence a few dots (black or colored) on the screen. These dots are considered normal.

FIGURE

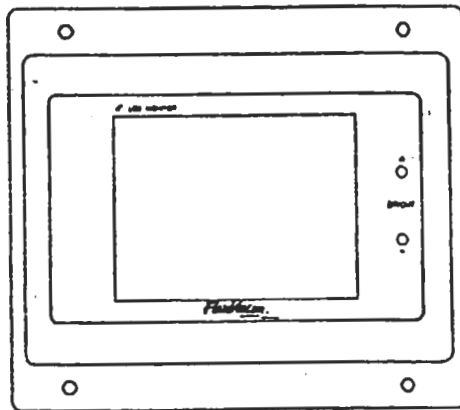
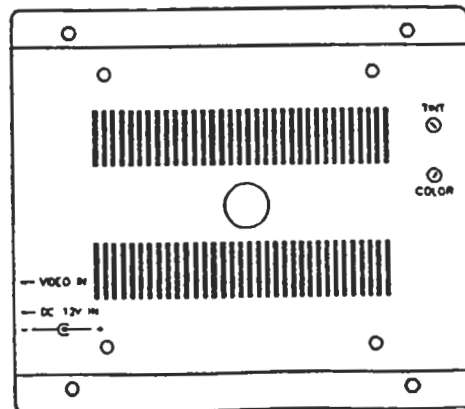


FIGURE 2



(2)

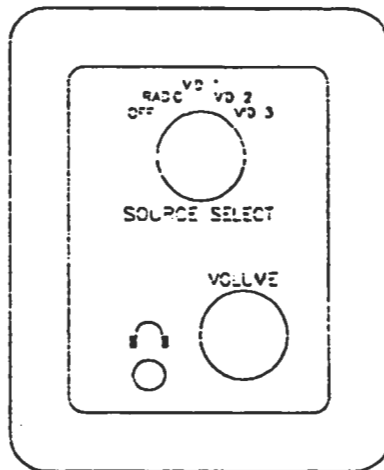
## LCD SELECTOR STATION

Each monitor will have its own selector station. The station consists of a 5-position rotary switch, 1/8" stereo headphone jack, and a volume control. The rotary switch has five different selections to choose from (Off, Radio, Video 1, Video 2, Video 3). In the "Off" position there is no power to the unit. In the "Radio" position there is audio to the headphone system, but the LCD monitor will be off. In the three different "Video" positions you will select between what options were chosen for your vehicle. For the unit to operate all three "Video" positions, the video sources (example: Video Cassette Player) must have power turned on at the units.

Plug in an 1/8" stereo headphone jack into the headphone jack on the selector station to get your audio. The volume control beside the jack will adjust the audio level. In "Radio" mode the radio system will deliver sound to the selector station. If the audio is not loud enough or too loud, then adjust the volume control at the radio source for a desired audio level to give the volume control the best range of operation. See Figure 3 below.

**Note:** When turning unit from a "Video" source to the "Radio" source the LCD panel will be lit for a split-second and then shut-off. This is normal operation for the unit.

Figure 3



## SIGNAL DISTRIBUTION BOX

The distribution box is the heart of the FlexVision system. This box distributes all of the video and audio signals to the proper monitor. This gives each person using the system the flexibility to choose what they want to do regardless of what anybody else in the vehicle is doing. For example: one person could be watching television, another person playing a video game, another watching a video tape, and yet another listening to the radio. Each distribution box can drive up to four monitors (optional) and selector stations. Figure 6 shows a basic setup diagram emphasizing the Signal Distribution Box.

## **TUNER BOX (TBX-1000) OPTIONAL**

The tuner box is a very easy system to operate. To use the tuner box you must first use the LCD selector station and dial to Video 1,2, or 3 whichever is the correct selection. You can operate the tuner either by using the Tuner Control Station (Fig. 4), or by using the the supplied Unified Remote Control (Fig. 5).

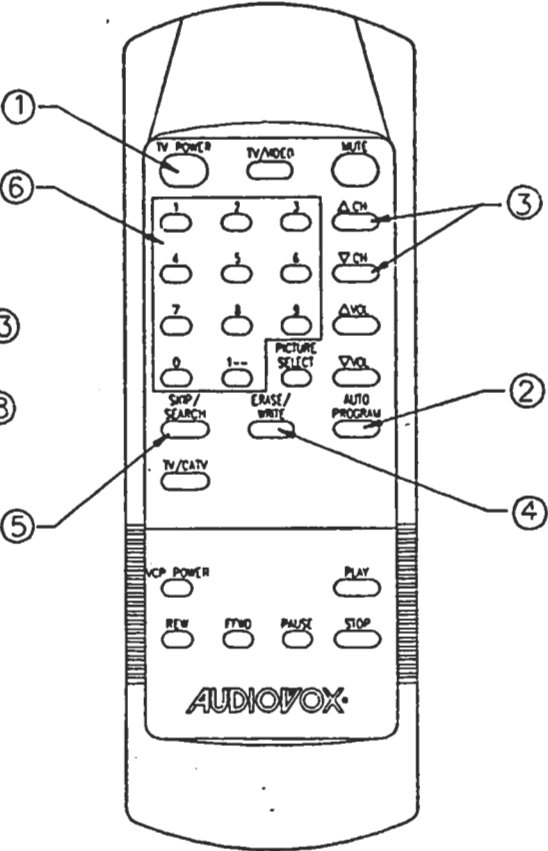
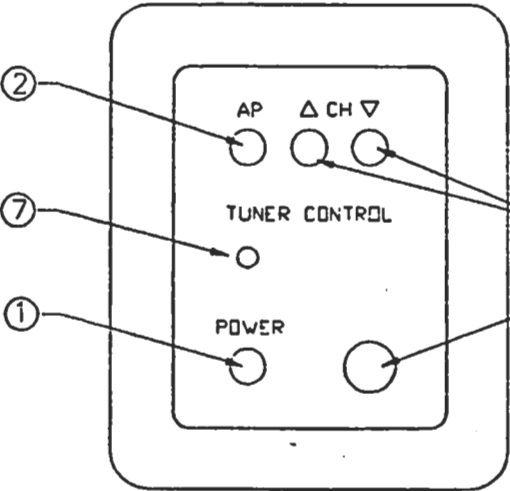
Below is a description of the Tuner Control Station and Remote Control. Notice that many of the features are identical at either the Tuner Control Station or the Remote Control. The Video Cassette Player functions on the bottom of the remote operate the Audiovox model AVP-6750. Note that the TV/Video button, Mute, Vol. Up/Down, TV/CATV, and the Picture Selector do not fully perform their functions with the LCD system, but those TV functions do fully operate the AVT-975 (9" TV) and the AVT-1475 (13" TV) Audiovox televisions.

Refer to Figures 4 and 5 on next page to verify operation.

1. **POWER BUTTON** - Press this button to turn the tuner on. Press again to turn unit off.
2. **AUTOPROGRAM BUTTON** - When the AutoProgram button is depressed, all channels in TV mode are searched and tuned, and the channels with signals detected are automatically stored.
3. **CHANNEL UP/DOWN BUTTONS** - Use these buttons to advance to next higher or next lower channel.
4. **ERASE/WRITE BUTTON** - This button is used to manually add or erase any channel into the memory. If the channel is stored, then simply push the Erase/Write button once to erase the channel. If the particular channel is erased, then push once to store.
5. **SKIP/SEARCH BUTTON** - This button selects between Skip and Search Mode. In "Skip mode" the tuner only stops on channels that are programmed into memory when the Channel Up/Down buttons are used. When Skip mode is off the tuner will stop on all active channels.
6. **DIRECT ACCESS BUTTONS** - Use these buttons to make a direct channel selection. The channel number chosen will be displayed on the screen for a few seconds. The direct access is carried out with 0-9 keys (0-99ch).
7. **TUNER POWER LIGHT** - The light will be dimly lit when the tuner is off, and light will be brighter with power on.
8. **REMOTE SENSOR** - When using remote control, point the remote control at the remote sensor on the tuner control station.

FIGURE

FIGURE 4



## Free Manuals Download Website

<http://myh66.com>

<http://usermanuals.us>

<http://www.somanuals.com>

<http://www.4manuals.cc>

<http://www.manual-lib.com>

<http://www.404manual.com>

<http://www.luxmanual.com>

<http://aubethermostatmanual.com>

Golf course search by state

<http://golfingnear.com>

Email search by domain

<http://emailbydomain.com>

Auto manuals search

<http://auto.somanuals.com>

TV manuals search

<http://tv.somanuals.com>