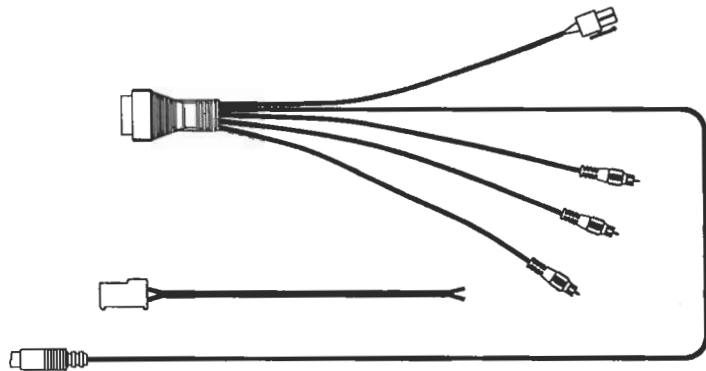
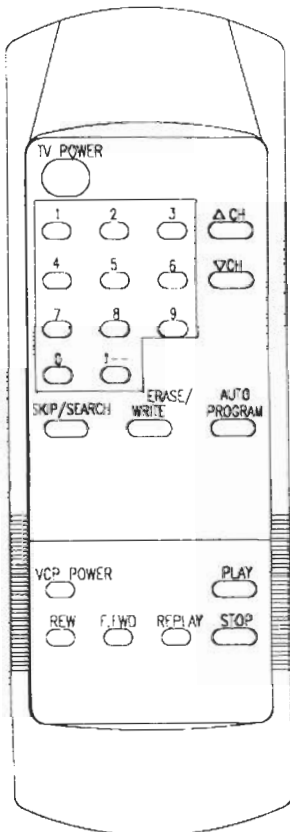
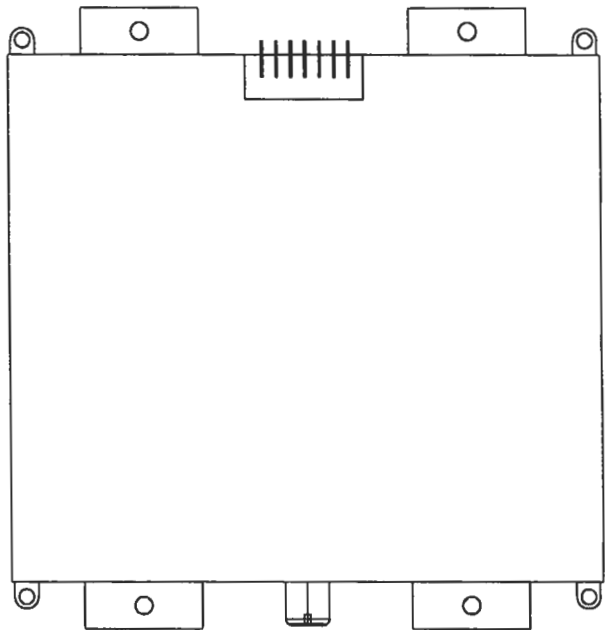
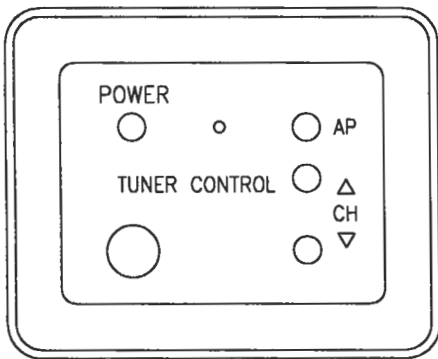


# TBX9850 TUNER MODULE KIT



Audiovox Specialized Applications, LLC  
23319 Cooper Drive  
Elkhart, IN 46514  
1-800-688-3135

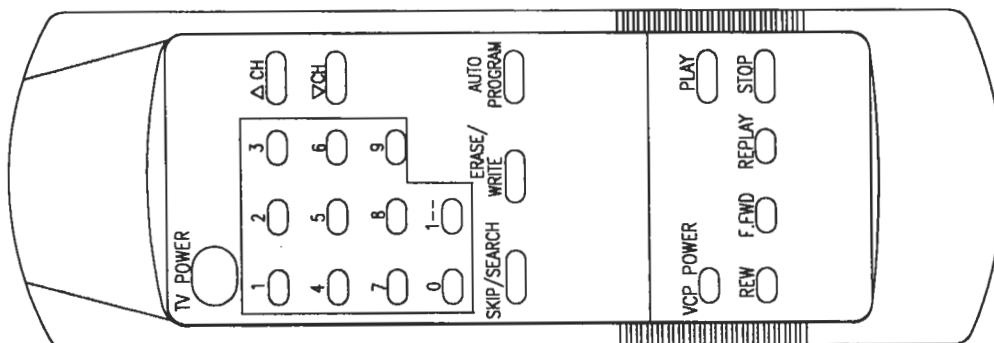
# TABLE OF CONTENTS:

	QTY.
CONTROL PANEL, TBX98	1
INTERFACE CABLE, TBX98	1
BEZEL, HEADPHONE STATION	1
BOX, HEADPHONE STATION	1
PLATE, HORIZONTAL TUNER CONTROL	1
TUNER MODULE TBX98TM	1
MANUAL, INSTALLATION TBX9850	1
INSTRUCTION SHEET, WARRANTY	1
MANUAL, OWNER'S TBX9850	1

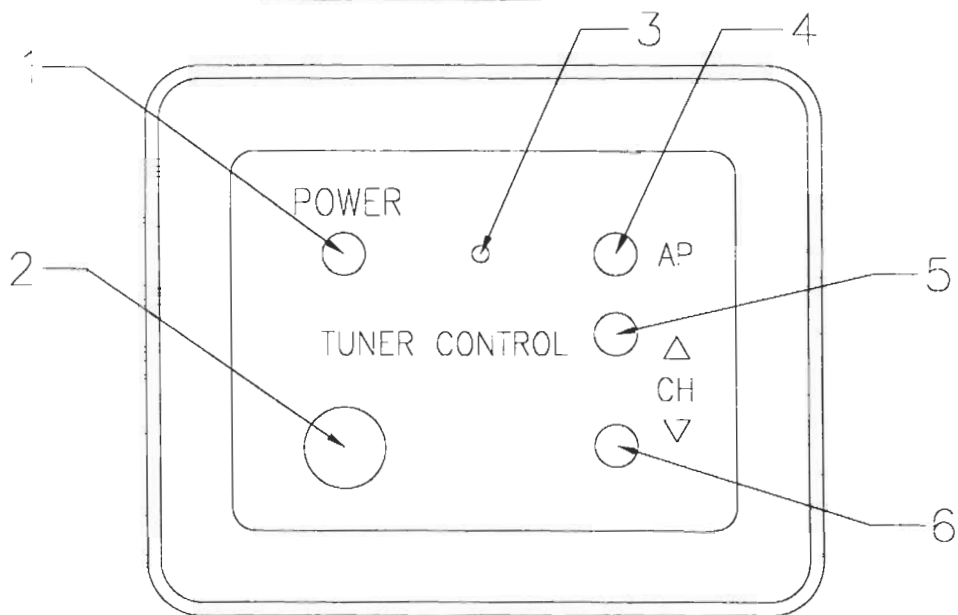
## PRODUCT DESCRIPTION

THE TBX9850 IS A STAND ALONE AUTOMOTIVE TELEVISION TUNER KIT. IT PROVIDES FOR TV RECEPTION FOR UHF/VHF SIGNALS. THE KIT CONSISTS OF THE TUNER PACK (WHICH CAN BE HIDDEN FROM VIEW), A WALL MOUNTED CONTROL PANEL, AND INFRARED REMOTE CONTROL. IT IS DESIGNED TO SEND AUDIO/VIDEO SIGNALS TO OTHER COMPONENTS (VIDEO DISPLAY, AUDIO SYSTEM).

REMOTE (1070636) INCLUDED WITH THE TBX98TM TUNER MODULE



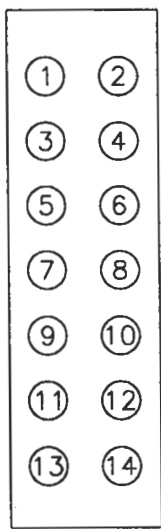
FUNCTIONS:



ITEM	FUNCTION
1	ON/OFF POWER
2	IR REMOTE EYE
3	POWER ON INDICATOR
4	AUTO-PROGRAM
5	CHANNEL UP
6	CHANNEL DOWN

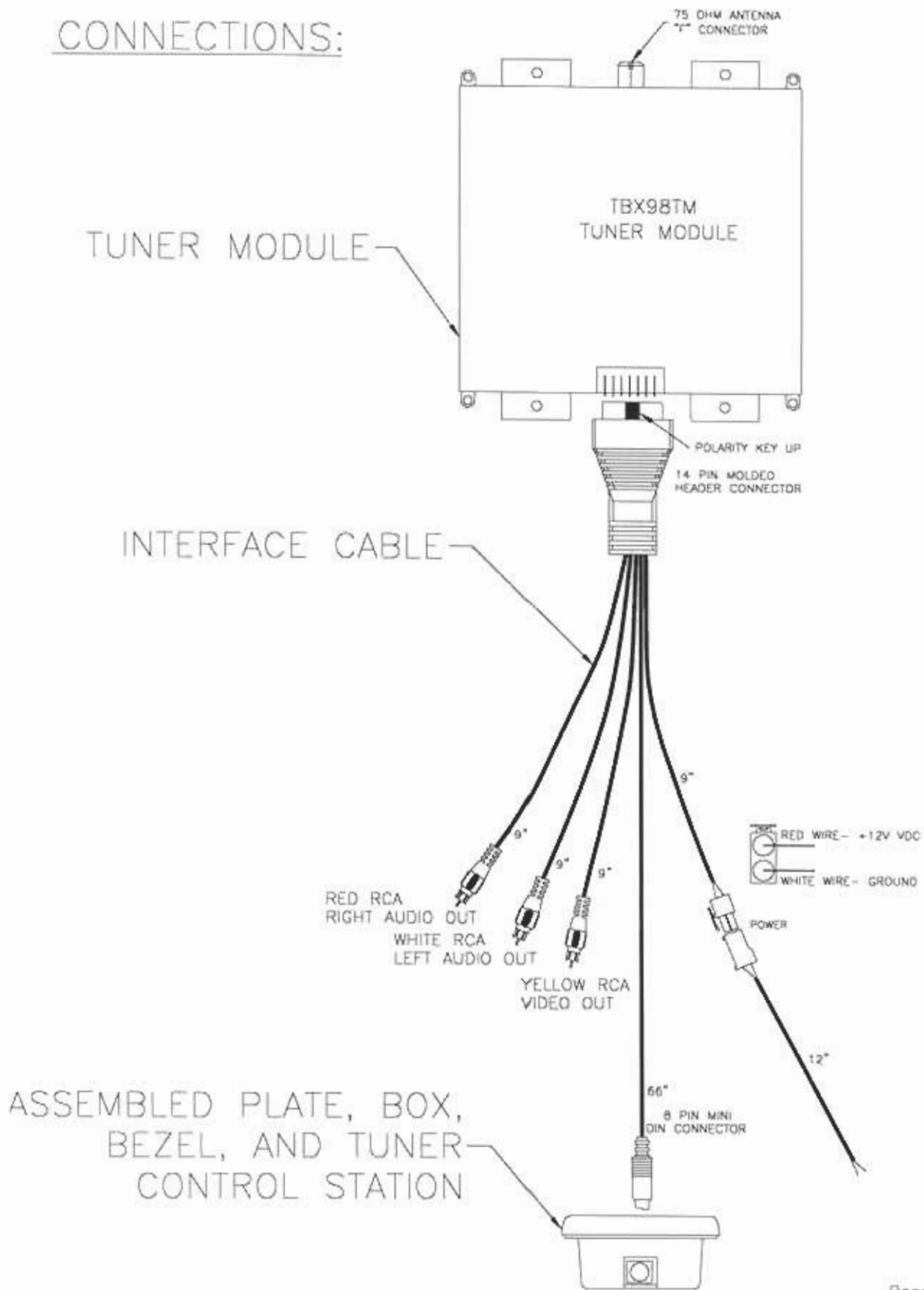
HEADER CONNECTIONS: INTERFACE CABLE TO TBX98TM

ITEM	FUNCTION
1	TV AUDIO OUT LEFT
2	TV VIDEO
3	TV AUDIO OUT RIGHT
4	GROUND
5	IR DRIVE INPUT
6	+12V VDC
7	GROUND
8	GROUND
9	RR09 CIRCUIT *
10	RR10 CIRCUIT *
11	RR11 CIRCUIT *
12	RR12 CIRCUIT *
13	RR13 CIRCUIT *
14	+5V VDC OUTPUT

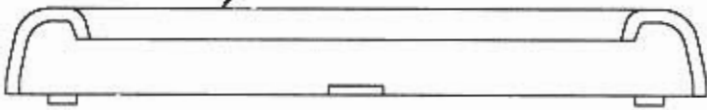


\* KEYPAD INPUT DATA

CONNECTIONS:



BEZEL SNAPS INTO PLACE  
OVER ASSEMBLED BOX



CONTROL BOX  
ASSEMBLY

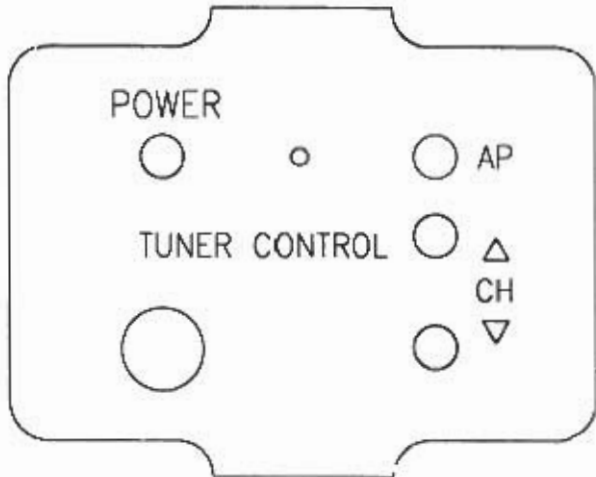
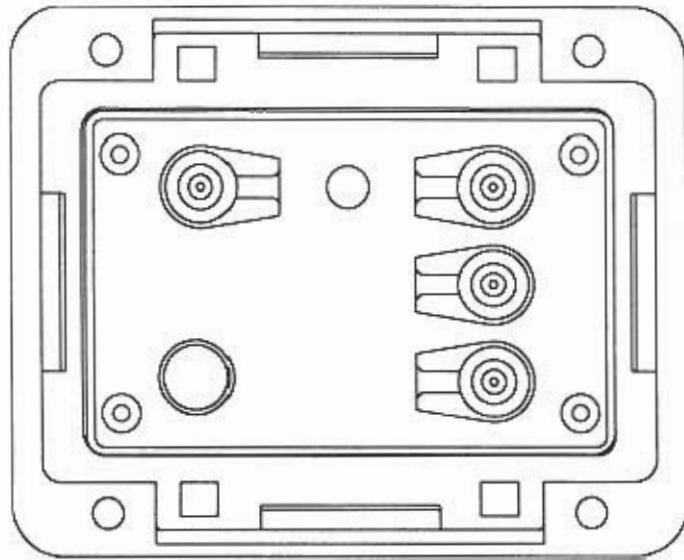
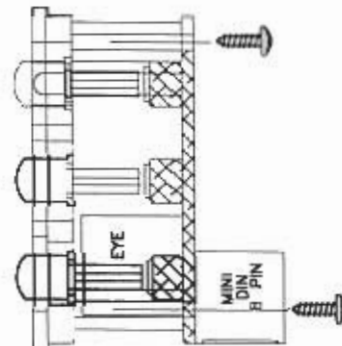


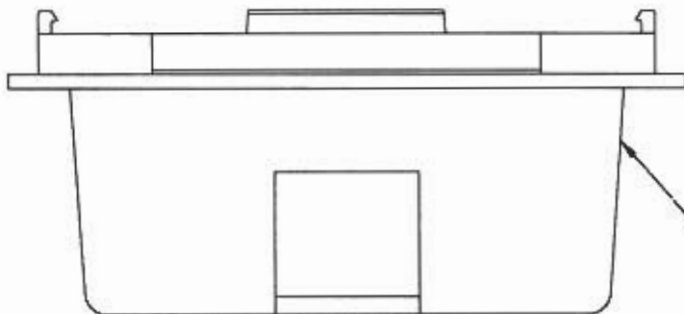
PLATE FITS OVER  
TOP OF CONTROL  
STATION



TOP VIEW OF BOX  
WITH CONTROL STATION  
SEATED INSIDE

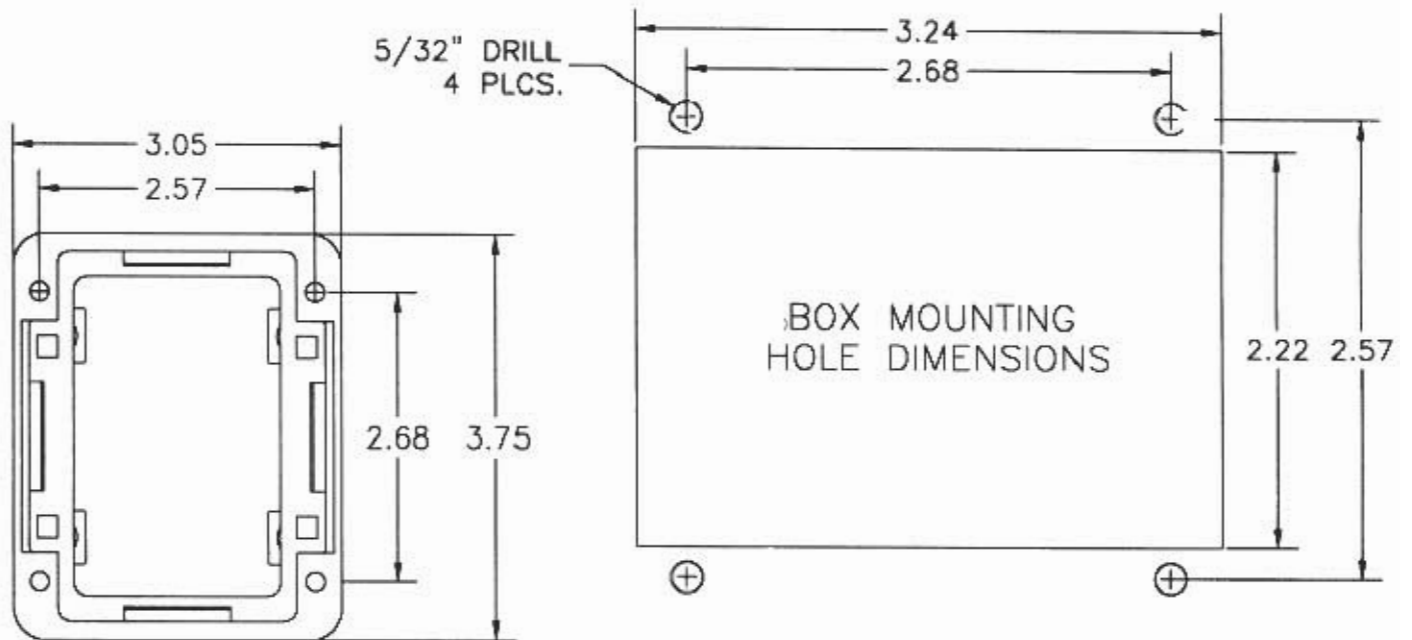
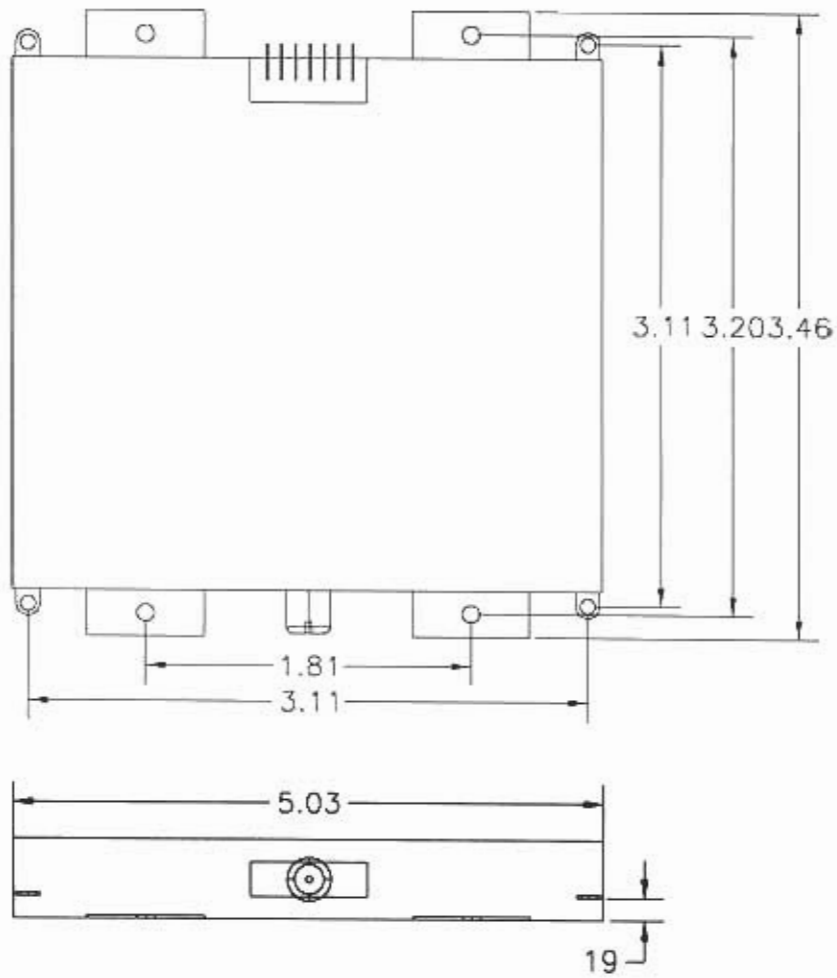


SIDE VIEW OF  
CONTROL STATION



SIDE VIEW OF BOX

# MECHANICAL DIMENSIONS



# SPECIFICATIONS

OUTPUTS:     1 VIDEO  
              75 OHMS  
              1V P-P  
              2 AUDIO  
              560 OHM

POWER SUPPLY: +12V VDC

POWER CONSUMPTION: 175 mA

INPUT IMPEDANCE: UHF/VHF/CATV 75 OHMS

BASIC CONTROL STATION DIMENSIONS:  
    WIDTH: 3.05" (7.747mm)  
    HEIGHT: 2.05" (5.207mm)  
    DEPTH: 3.75" (9.525mm)

WEIGHT: .36 lbs.

## Free Manuals Download Website

<http://myh66.com>

<http://usermanuals.us>

<http://www.somanuals.com>

<http://www.4manuals.cc>

<http://www.manual-lib.com>

<http://www.404manual.com>

<http://www.luxmanual.com>

<http://aubethermostatmanual.com>

Golf course search by state

<http://golfingnear.com>

Email search by domain

<http://emailbydomain.com>

Auto manuals search

<http://auto.somanuals.com>

TV manuals search

<http://tv.somanuals.com>