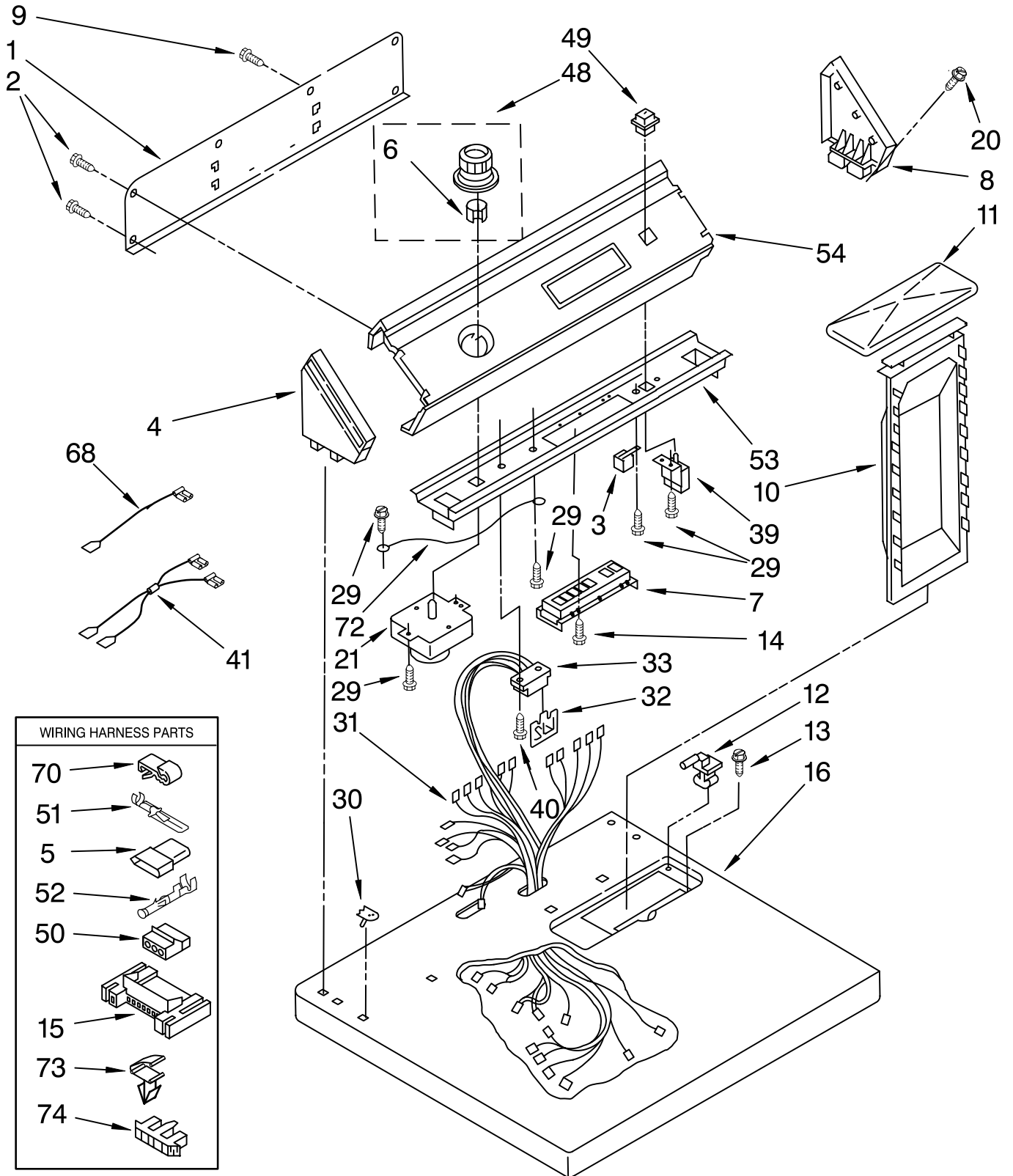




TOP AND CONSOLE PARTS

GAS DRYER

For Models: LGC6848AQ2, LGC6848AZ2
(Designer White) (Designer Almond)



FOR ORDERING INFORMATION REFER TO PARTS PRICE LIST

TOP AND CONSOLE PARTS

For Models: LGC6848AQ2, LGC6848AZ2

(Designer White) (Designer Almond)

Illus. No.	Part No.	DESCRIPTION	Illus. No.	Part No.	DESCRIPTION	Illus. No.	Part No.	DESCRIPTION
1	3397545	Panel, Rear Console	12	339229	Hinge, R.H.	48		Timer Knob Assembly
2	693994	Screw, 10-16 x 1/2		339230	Hinge, L.H.		3396146	White
3	694419	Buzzer, Mini	13	688983	Screw, 8-18 x 5/8		3396149	Almond
4		Cap, End (L.H.)	14	3397537	Screw, 8-18 x 7/8	49		Button, Push To Start
	3358531	White	15	3395683	Housing, Connector (Motor)			
	3358532	Almond	16		Top		3396176	White
5	353424	Plug, 3-Way Terminal		3396022	White		3396177	Almond
6	688805	Clip	20	3353145	Screw, Console	50	691707	Receptacle, Terminal
7		Switch, Clean Touch	21	3397273	Timer Assembly (60 Hz.)	51	94613	Terminal, Male
	3396239	White	29	3390646	Screw, 8-18 x 5/16	52	94614	Terminal, Female
	3396237	Almond	30	357213	Nut, Push-In (2)	53	3396295	Bracket, Control Panel, Control
8		Cap, End (R.H.)	31	3399674	Harness, Wiring	54		White
	3358516	White	32	3390537	Control, Electronic		3398509	Almond
	3358517	Almond	33	3391885	Connector, Edge	68		Wire, Jumper
9	693995	Screw, Hex Washer Head	39	3395395	Switch, Push-To-Start		3393811	Violet
10	349639	Handle & Lint Screen Assembly	40	343641	Screw, 10-16 x 1/2		3393812	Blue
11		Cover, Lint Screen	41	3396033	Wire, Jumper (Signal Bypass)	70	689180	Clip, Retainer
	688150	White				72	690853	Wire, Ground
	689310	Almond				73	3394427	Clip, Harness
						74	3397269	Connector, Timer

LITERATURE AND OPTIONAL PARTS

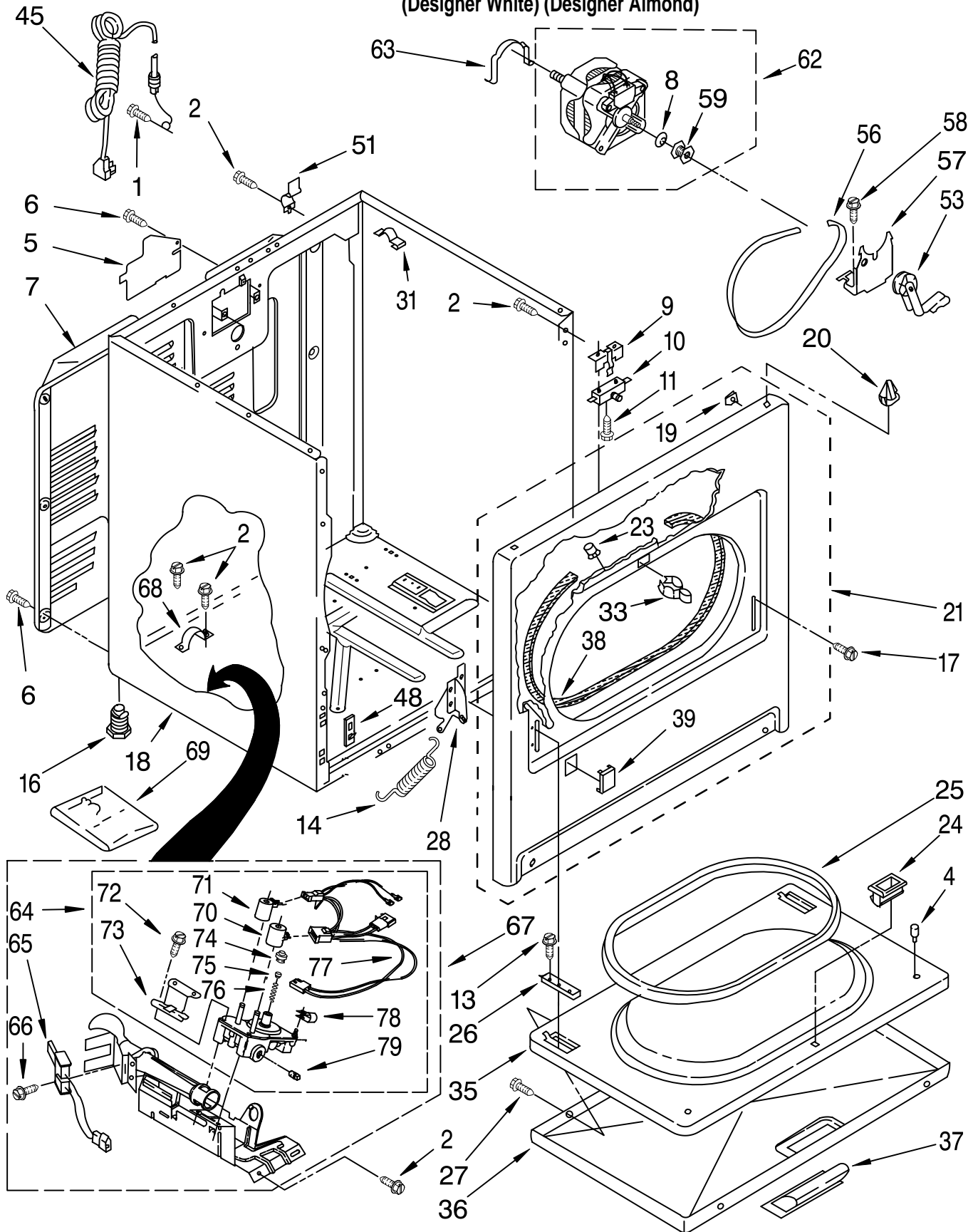
Illus. No.	Part No.	DESCRIPTION	Illus. No.	Part No.	DESCRIPTION	Illus. No.	Part No.	DESCRIPTION
<u>LITERATURE PARTS</u>			<u>OPTIONAL PARTS NOT INCLUDED</u>					
LIT3395332		Instructions, Installation	<u>PAINT, TOUCH-UP (1/2oz.)</u>			<u>PAINT, BULK (1 qt.)</u>		
LIT3396303		Use & Care Guide	72017		White	799344		White (Uncut)
LIT3399692		Label, Wiring Diagram	72107		Almond	978883		Almond (Uncut)
<u>Following May Be Purchased</u>			<u>PAINT, PRESSURIZED SPRAY (13 oz.)</u>					
<u>DO-IT-YOURSELF REPAIR MANUALS</u>			350930		White			
LIT677818		Dryer	350956		Almond			
			350938		Primer, Gray			

FOR ORDERING INFORMATION REFER TO PARTS PRICE LIST

CABINET PARTS

For Models: LGC6848AQ2, LGC6848AZ2

(Designer White) (Designer Almond)



FOR ORDERING INFORMATION REFER TO PARTS PRICE LIST

CABINET PARTS

For Models: LGC6848AQ2, LGC6848AZ2

(Designer White) (Designer Almond)

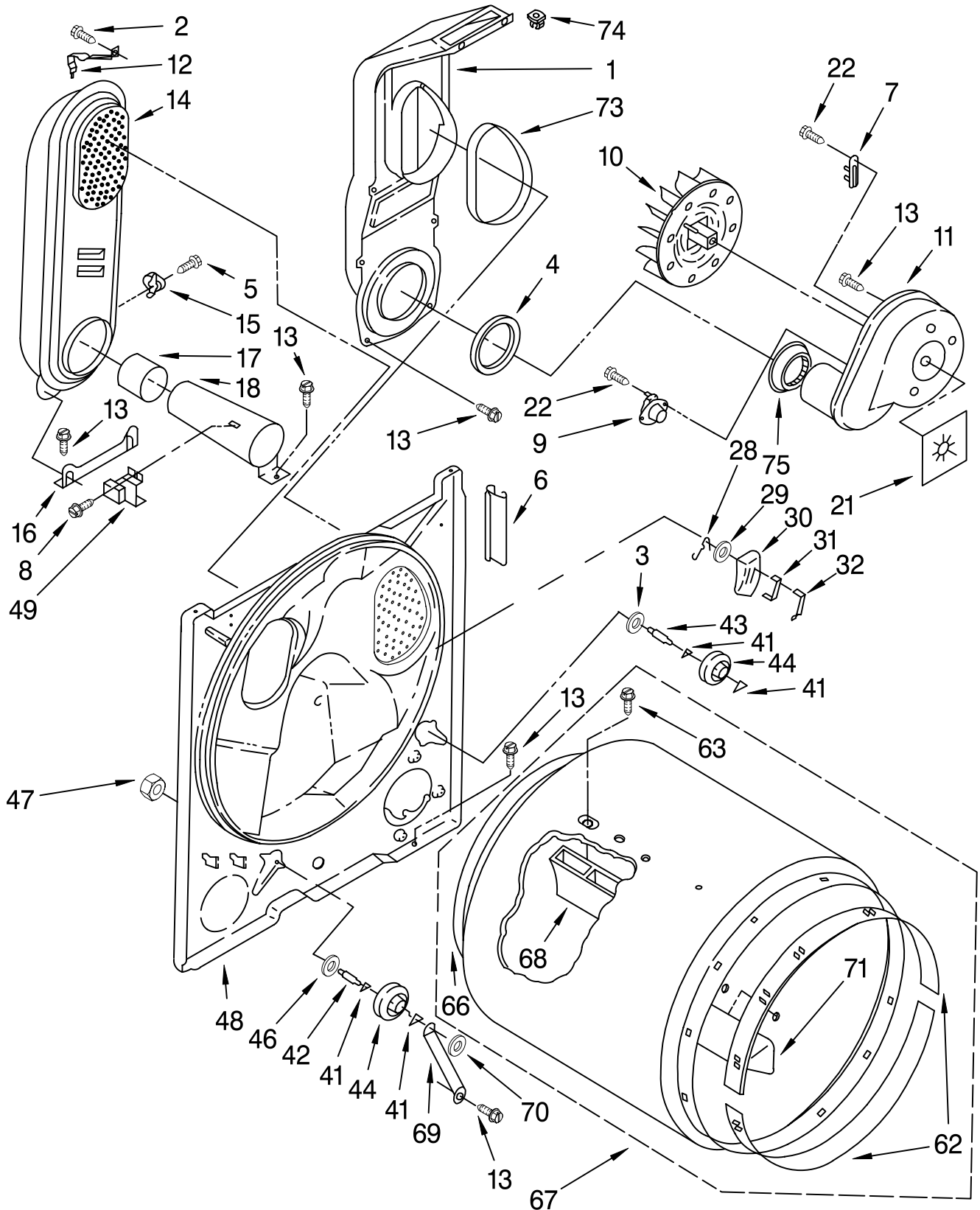
Illus. No.	Part No.	DESCRIPTION	Illus. No.	Part No.	DESCRIPTION	Illus. No.	Part No.	DESCRIPTION
1	697776	Screw, 10-32 x 1/2 (External Ground)	26	337189	Clip, Hinge (2)	66	3393909	Lock Screw & Washer (8-32 x 5/8)
2	343641	Screw, 10-16 x 1/2	27	694091	Screw			
4	238614	Bumper	28	692498	Hinge, R.H.	67	694670	Burner Assembly, 60 Hz. (See Pages 7 & 8 For Further Burner Breakdown)
5	3396795	Cover, Block		692501	Hinge, L.H.			
6	693994	Screw, Hex Washer Head	31	98997	Clip, Harness			
7	3396805	Panel, Rear	33	696144	Strike, Panel			
8	3393657	Restrainer, Belt	35	695737	Door, Rear			
9	691581	Lever, Door Switch	36		Door, Front			
10	347207	Switch, Door		3393549	White	68	341029	Clamp, Pipe
11	98129	Screw, 6-20 x 1-3/8		3393550	Almond	69	694572	Kit, Conversion Type 1, 2 & 3 To Type 4 (LPG)
13	3357011	Screw, 10-16 x 1/2	37		Handle, Door			
14	692495	Spring, Door (2)		690270	White			
16	3392100	Foot, Dryer		690271	Almond		279243	Kit, Conversion Type 1 To Type 3 (MFD)
	279810	Foot-Optional (Extended Length Package of 2) (Not Included)	38	692493	Seal & Bearing Assembly			
			39		Plug, Front Panel	70	694539	Coil, 60 HZ. Split (3 Terminal) (Pilot Position)
				3394975	White			
				3394976	Almond			
17	342043	Screw	45	344020	Cord, Power	71	694540	Coil, 60 HZ. (2 Terminal) (Main)
18		Cabinet (Includes Illus. Nos. 5,7,16,48, & 57)	48	3394083	Clip, Front Panel			
	3399585	White	51	238088	Hinge, Top (2)			
	3399586	Almond	53	691366	Idler & Pulley Assembly	72	694421	Screw, Bracket Mounting (8-32 X 1/2) 2
19	98234	Clip, Ground (2)	56	660996	Belt, Drive	73	694538	Bracket, Coil
20	690363	Lock, Front Top (2)	57	348780	Base, Motor	74	694424	Leak Limiter
21		Panel Front	58	172455	Bolt, 5/16-18 x 3/4	75	694423	Screw, Regulator Adjustment
	3395197	White	59	3389627	Pulley, 60 Hz.	76	694422	Spring, Regulator
	3395198	Almond	62	3395652	Motor Assembly 60 Hz.	77	694426	Harness, Wiring (Complete)
23	685203	Clip, Felt Pad (2)	63	660658	Clamp, Motor (2) 343481 (Alt.) 685441 (Alt.)	78	694510	Clip, Harness
24	690081	Catch, Door Assembly	64	694054	Valve, Gas 60 Hz. (Complete)	79	239822	Plug, Pipe
25	3390731	Seal, Door	65	660991	Ignitor (686590) (Alt.)			

FOR ORDERING INFORMATION REFER TO PARTS PRICE LIST

BULKHEAD PARTS

For Models: LGC6848AQ2, LGC6848AZ2

(Designer White) (Designer Almond)



FOR ORDERING INFORMATION REFER TO PARTS PRICE LIST

BULKHEAD PARTS

For Models: LGC6848AQ2, LGC6848AZ2
(Designer White) (Designer Almond)

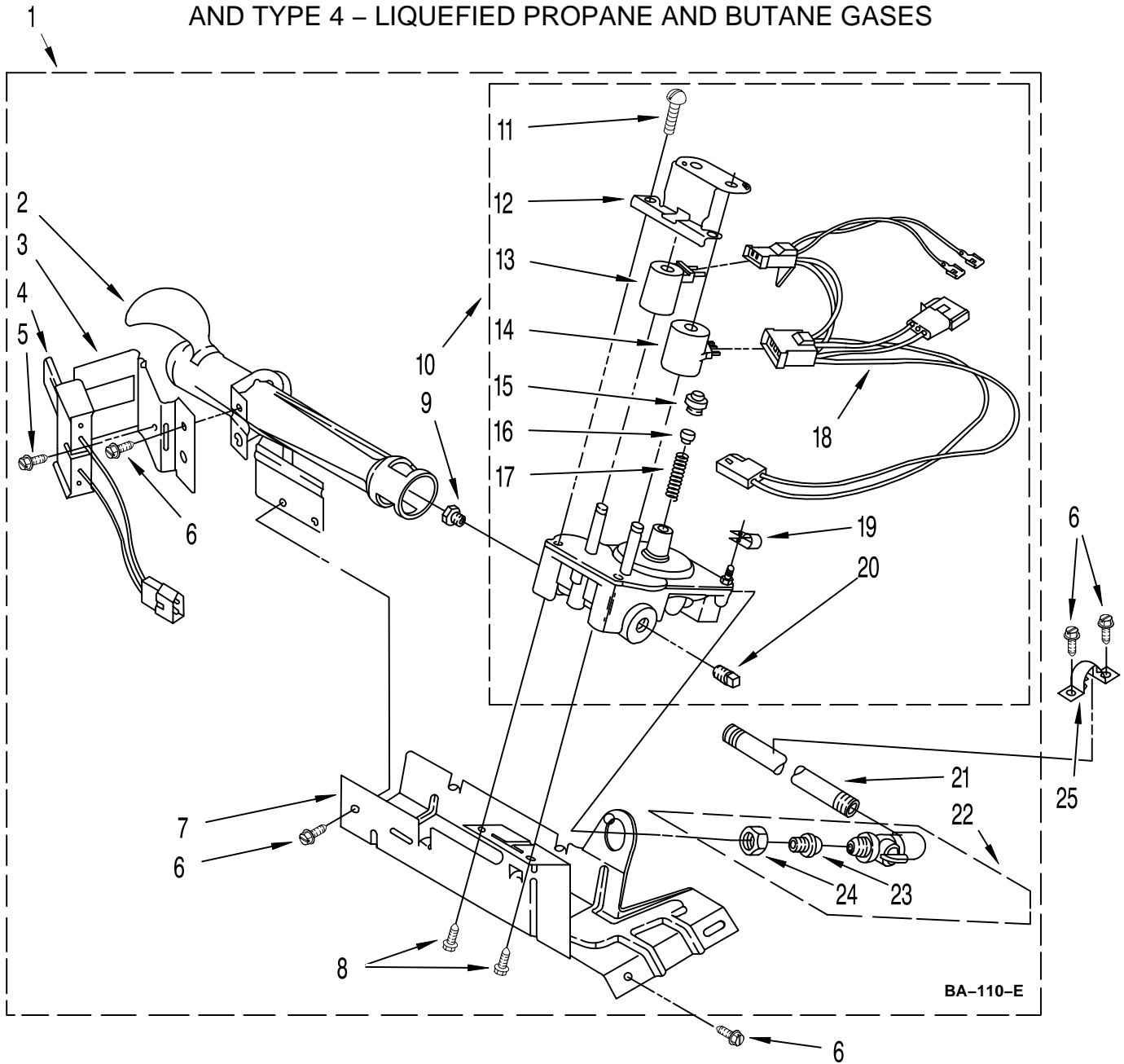
Illus. No.	Part No.	DESCRIPTION
1	348368	Lint Chute Assembly
2	3400800	Screw, 8-18 x 3/4
3	3388703	Washer-Support
4	347139	Seal, Lint Chute
5	90767	Screw, 8 x 3/8
6	686889	Pad, Cabinet
7	3392519	Fuse, Thermal
8	339554	Screw
9	3387134	Thermostat, Internal-Bias
10	694089	Wheel, Blower (Includes Illus. No. 21)
11	695081	Housing, Blower
12	3398161	Clip
13	343641	Screw, 10-16 x 1/2
14	685458	Box, Heater
15	660036	Thermostat, 205°F (96°C)
16	348484	341196 (Alt.) Support, Heater Box
17	348516	Collar, Funnel
18	347389	Funnel, Burner
21	3392123	Seal, Blower
22	695239	Screw, 8-18 x 3/8
28	342267	Clip, Sensor
29	298877	Washer, Insulated
30	348861	Pad, Sensor
31	348859	Electrode, Inside
32	348860	Electrode, Outside
41	690997	Ring, Tri
42	3399506	Shaft, L.H.
43	3399507	Shaft, R.H.
44	3397588	Roller, Support
46	348197	Washer, Support
47	3359452	Nut, 3/8-16
48	3396793	Bulkhead
49	338906	Sensor, Radiant
62	692526	Ring, Bearing
63	97787	Screw, 11-16 x 7/8
66	347885	Seal, Rear Drum
67	695587	Drum Assembly
68	692490	Baffle, Drum (2)
69	348944	Bracket, Support
70	90296	Clip
71	692491	Baffle, Drum (1)
73	339956	Seal
74	98460	Nut, Push-In (2)
75	696302	Shield, Exhaust

FOR ORDERING INFORMATION REFER TO PARTS PRICE LIST

694670 BURNER ASSEMBLY

For Models: LGC6848AQ2, LGC6848AZ2
(Designer White) (Designer Almond)

USE WITH TYPE 1 – NATURAL, TYPE 2 – MIXED, TYPE 3 – MANUFACTURED
AND TYPE 4 – LIQUEFIED PROPANE AND BUTANE GASES



FOR ORDERING INFORMATION REFER TO PARTS PRICE LIST

694670 BURNER ASSEMBLY

For Models: LGC6848AQ2, LGC6848AZ2

(Designer White) (Designer Almond)

USE WITH TYPE 1 – NATURAL, TYPE 2 – MIXED, TYPE 3 – MANUFACTURED
AND TYPE 4 – LIQUEFIED PROPANE AND BUTANE GASES

<u>Illus. No.</u>	<u>Part No.</u>	<u>DESCRIPTION</u>
1	694670	Burner Assembly 60 Hz. (Type 1, 2 & 3) (White Rodgers)
2	688617	Tube, Burner
3	694298	Bracket, Ignitor
4	660991	Ignitor 686590 (Alt.)
5	686953	Screw & Washer (8-32 x 5/8)
6	343641	Screw, 10-16 x 1/2
7	693986	Base, Burner
8	339527	Screw, 8-32 x 3/8 (2)
9		Orifice, Burner
	234826	Type 1
	15775	Type 2
	15419	Type 3
	229742	Type 4 (Butane)
	234868	Type 4 (Propane)
10	694054	Valve, 60 Hz.
11	694421	Screw, 8-32 x 1/2 (2)
12	694538	Bracket, Coil
13	694540	Coil, 60 Hz. (2 Terminal) (Main)
14	694539	Coil, 60 Hz. (Split) (3 Terminal) (Pilot Position)
15	694424	Leak Limiter
16	694423	Screw, Regulator Adjustment
17	694422	Spring, Regulator
18	694426	Harness, Wiring (Complete)
19	694510	Clip, Harness
20	239822	Plug, Pipe
21	233273	Pipe, Gas Supply
22	345062	Valve & Union, Shut-Off
23	3393767	Pipe, Tail
24	233076	Nut, Compression
25	341029	Clamp, Pipe

Following Parts Not Illustrated

694572 Conversion Kit
(Type 1, 2 & 3)
to Type (4) L.P.G.

BA-110-E

Free Manuals Download Website

<http://myh66.com>

<http://usermanuals.us>

<http://www.somanuals.com>

<http://www.4manuals.cc>

<http://www.manual-lib.com>

<http://www.404manual.com>

<http://www.luxmanual.com>

<http://aubethermostatmanual.com>

Golf course search by state

<http://golfingnear.com>

Email search by domain

<http://emailbydomain.com>

Auto manuals search

<http://auto.somanuals.com>

TV manuals search

<http://tv.somanuals.com>