

Xerox DocuPrint P1202 User Guide

<i>Introduction</i>	1-3
<i>Printer Unpacking and Setup</i>	1-4
<i>Printer Components</i>	1-5
<i>Laser Print Cartridge Installation</i>	1-6
<i>Paper Tray Adjustment</i>	1-7
<i>Paper Loading</i>	1-8
<i>MP Tray Printing</i>	1-9
<i>Printer Connections</i>	1-10
<i>Printer Driver Installation</i>	1-11
<i>Printer Driver Features</i>	1-12
<i>Software Utilities Installation</i>	1-13
<i>Control Panel</i>	1-14
<i>Control Panel Indicators</i>	1-15
<i>Clearing Paper Jams</i>	1-16
<i>Installing Memory</i>	1-17
<i>Making Installation Diskettes</i>	1-18
<i>Installing Software from Diskette</i>	1-19
<i>Printer Specifications</i>	1-20
<i>Printer Certifications</i>	1-21
<i>Language Codes</i>	1-24

Xerox Corporation
800 Phillips Road
Webster, NY 14580
United States of America

Xerox Europe
Channels Group
Bessemer Road
Welwyn Garden City
Herts AL7 1HE
United Kingdom

© 1999 Xerox Corporation. Xerox®, The Document Company®, the stylized X, DocuPrint, and the identifying product names and numbers herein are trademarks of Xerox Corporation. Xerox Canada Ltd. and Xerox Europe are licensees of all the trademarks. Copyright protection claimed includes all forms and matters of copyrightable materials and information now allowed by statutory or judicial law or hereinafter granted, including without limitation material generated from the software programs which are displayed on the screen such as icons, screen display tools, etc. Product names used in this guide may be trademarks or registered trademarks of their respective companies and are hereby acknowledged. All non-Xerox brands and product names are trademarks or registered trademarks of their respective companies.

Introduction

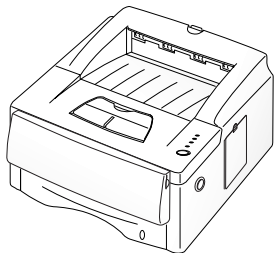
Thank you for purchasing this laser printer.

The Xerox DocuPrint P1202 is a desktop laser printer specially designed for the demanding small office and home office users. It uses a highly innovative printing technology, which provides all the performance and power you need for your business, small workgroup and personal printing.

In this guide you will find information essential for setting up and operating your laser printer. So, do keep it handy should you experience any difficulties with the printer.

Printer Unpacking and Setup

- 1 Remove the printer and all accessories from the packing carton. Save the carton and packing materials in case you need to repack the printer for service or storage.



- 2 Make sure that your printer came packed with the following items:

- Laser print cartridge
- Power cord
- User Guide (this book)
- Warranty Information
- DocuPrint P1202 CD-ROM

This CD-ROM contains the software required to operate your printer, along with useful printer utilities and a complete Reference Guide. Should your computer not be equipped with a CD-ROM drive, please visit the Xerox website at www.xerox.com. If you do not have Internet access, refer to “Making Installation Diskettes” (page 1-18) for detailed instructions for creating installation diskettes.

Additional items contained on the CD-ROM that are not accessed through the main setup routine:

- Adobe Acrobat Reader located in the **Acrobat** directory.
- Documentation located in the **Docs** directory:

Reference Guide: XX_P1202R.pdf (where *XX* indicates the language code*)

User Guide: XX_P1202R.pdf (where *XX* indicates the language code)

The printer box may also contain an IEEE 1284-compliant printer cable. Look at the drawings labeled “Contents” on the top flap of the box. If a printer cable is not pictured there, you will need to obtain a cable before installing the printer.

If any items are missing or damaged, notify your dealer immediately.

- 3 Carefully remove any shipping tapes from the printer.
- 4 Place the printer on a flat, stable surface near your workstation. Leave at least 6 inches (15 cm) behind and on each side of the printer, and at least 1 foot (30 cm) in front of the printer, so that you can operate it properly and allow adequate air circulation.

Do not place the printer:

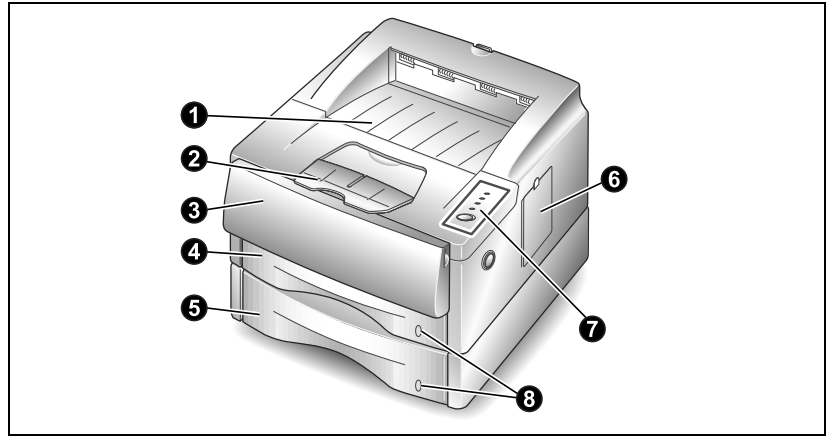
- In direct sunlight.
- Near heat sources or air conditioners. Place the printer where the temperature is stable and set for comfort.
- In dusty or dirty environments. Dust accumulation may prevent the printer from functioning properly.
- Near devices that contain magnets or generate magnetic fields (such as loudspeakers or base units of cordless telephones).

* Refer to table on last page for language codes.

Printer Components

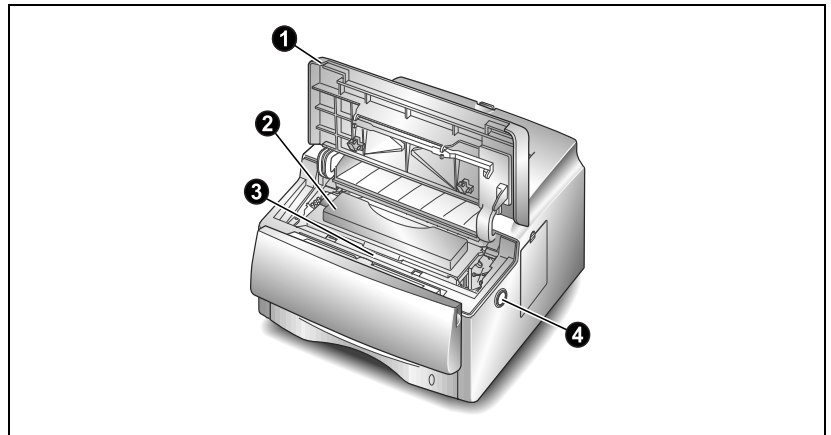
Front View

- ❶ Face down output stacker
- ❷ Paper support
- ❸ Multi-Purpose Tray (MP Tray)
- ❹ Tray 1 (250 sheet)
- ❺ Tray 2 (250 sheet, optional)
- ❻ Control board cover
(provides access to SIMM slots for adding/removing additional memory)
- ❼ Control panel
- ❽ Paper level indicators



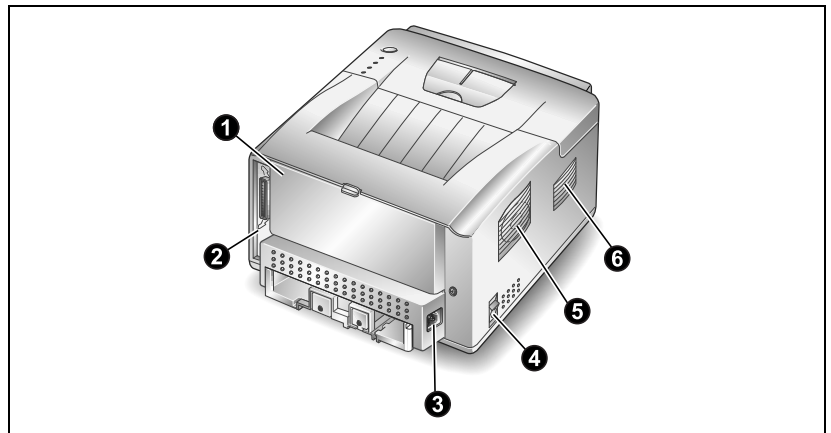
Inside Front View

- ❶ Top cover
- ❷ Laser print cartridge
- ❸ Serial number
- ❹ Top cover release button

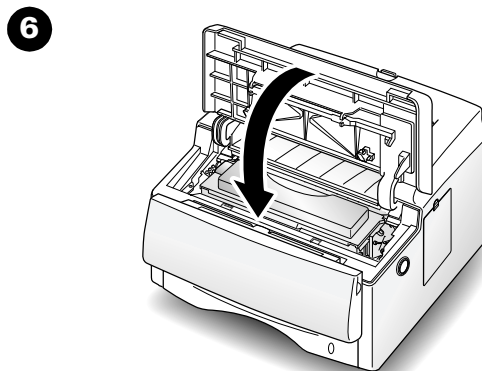
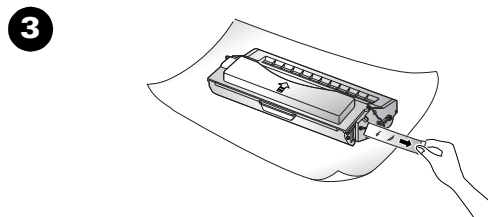
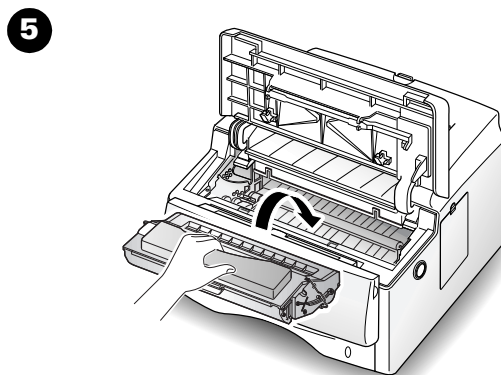
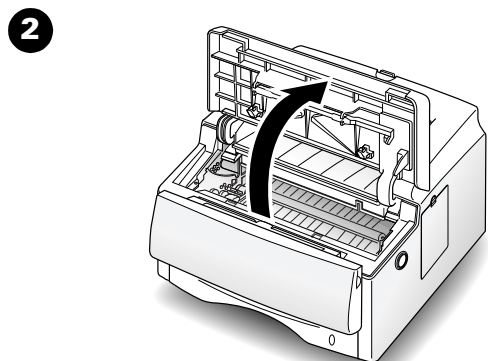
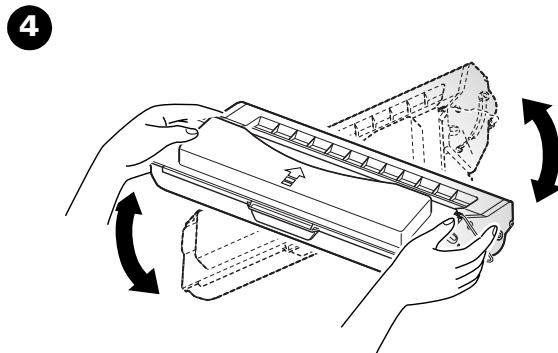
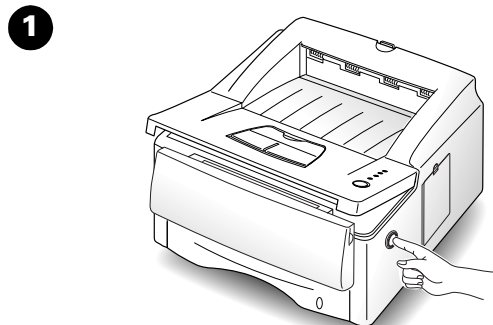


Rear View

- ❶ Rear cover (with face-up output stacker inside)
- ❷ Printer cable connectors
- ❸ Power cord connector
- ❹ Power switch
- ❺ Exhaust fan
- ❻ Cooling vent



Laser Print Cartridge Installation



Pull sealing tape completely out of cartridge.

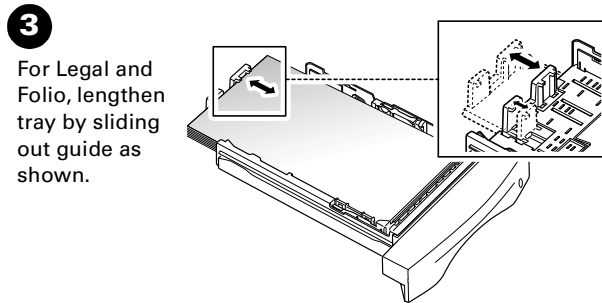
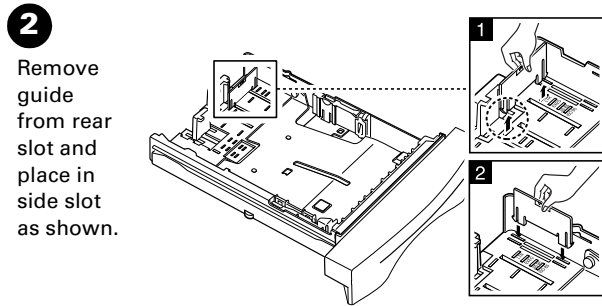
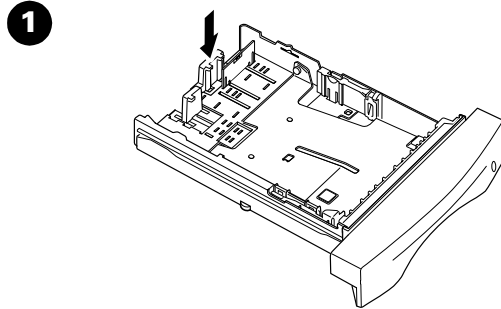
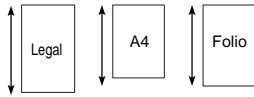
Do not expose cartridge to direct sunlight or strong room light.

To avoid damaging photo-sensitive drum, never open drum shutter.

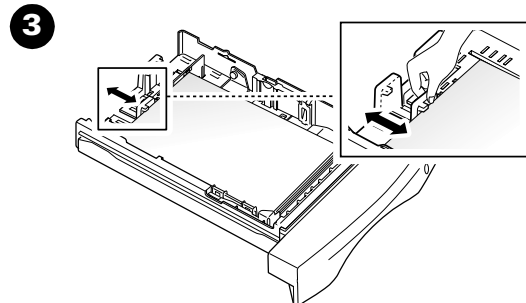
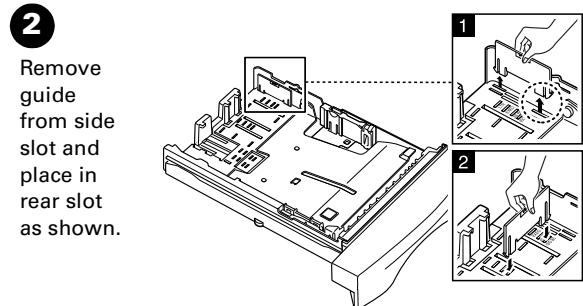
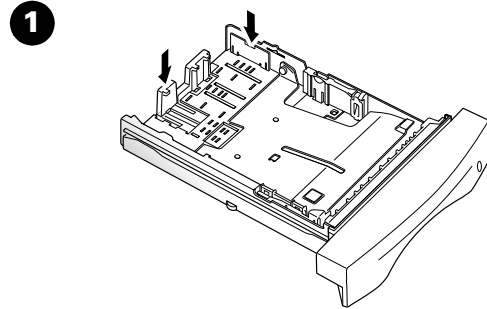
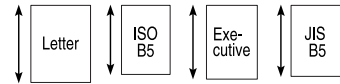
To avoid damaging cartridge, complete cartridge installation as quickly as possible.

Paper Tray Adjustment

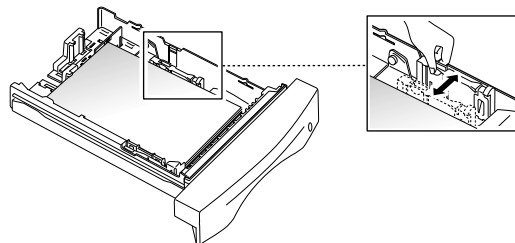
Length



Length



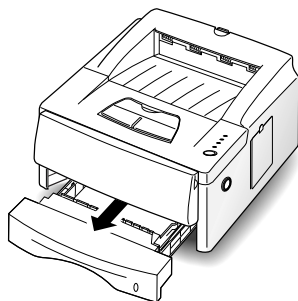
Width



Refer to the section "Paper Loading" (page 1-8) for proper paper loading procedure. After paper has been loaded, readjust tray as necessary.

Paper Loading

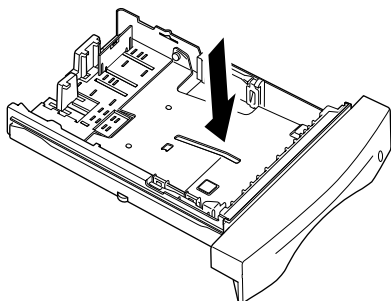
1



Do not remove tray while printing.
This may cause paper jams.

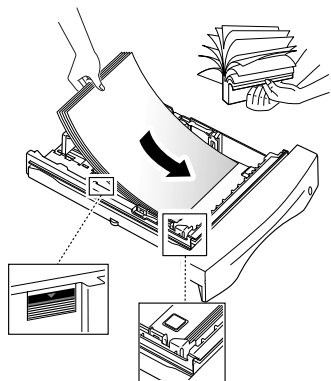
2

Press bottom plate until it locks into place.



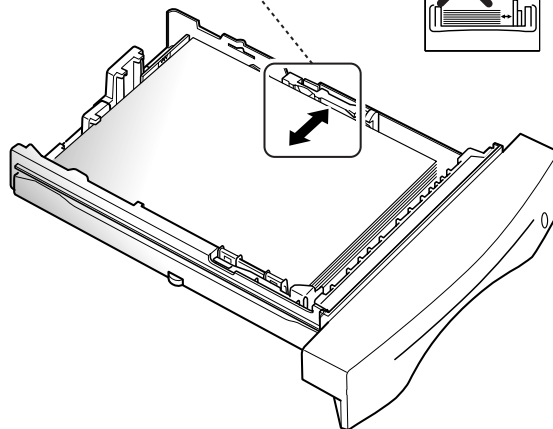
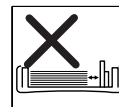
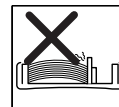
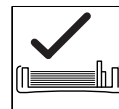
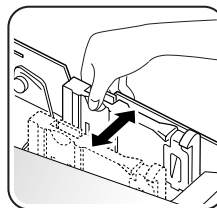
3

Fan paper before loading.
Do not load above limit line as shown.
Insert paper under metal corner guide as shown.

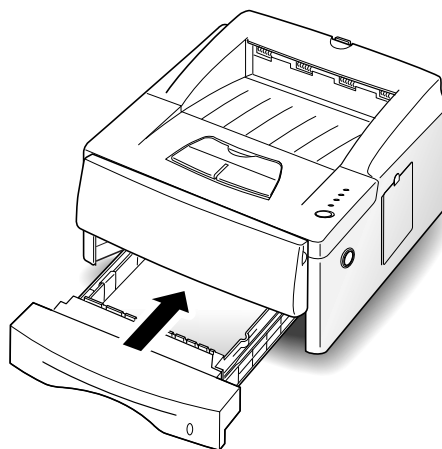


4

Pinch side guide as shown below to adjust it to proper paper width.



5



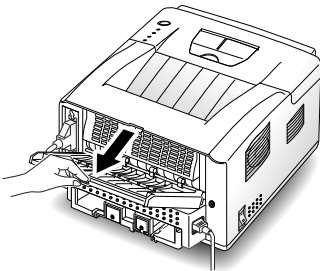
Certain media must be manually fed one at a time through the MP Tray. Refer to "MP Tray Printing" (page 1-9).

MP Tray Printing

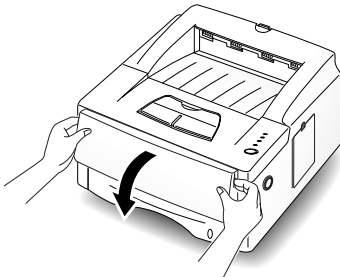
The multi-purpose tray (MP Tray) is an auxiliary input device that you can use to feed media into the printer. You can stack up to 100 sheets of paper for automatic loading, or manually feed items one at a time.

When you print on certain envelopes, heavier weight papers, transparencies, index cards, or certain paper labels, you must manually feed them one at a time through the MP Tray. It is also recommended that you use the face-up output stacker when printing on these media.

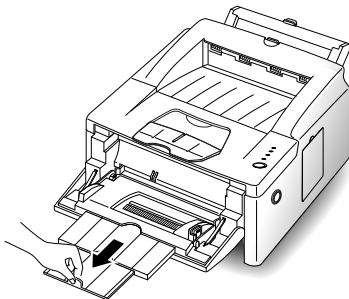
- 1** Open rear cover and pull out paper support extensions.



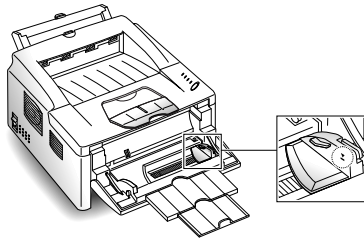
- 2** Pull open MP Tray cover.



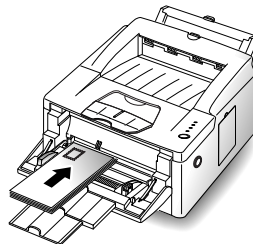
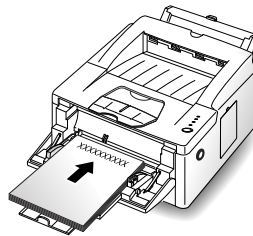
- 3** Pull out feeder support.



- 4** Observe stack height limit. Do not overload tray.

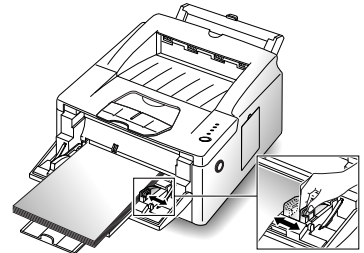


- 5** Load print media against left edge of tray (see illustrations below for proper letterhead and envelope orientation).

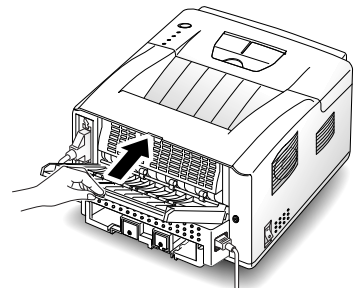
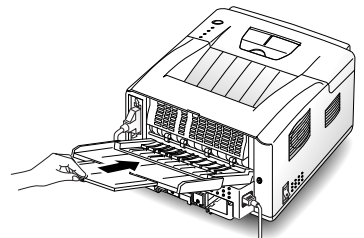


Never use envelopes with clasps, snaps, windows, coated linings, or self-stick adhesives. These envelopes may severely damage the printer.

- 6** Slide width guide against print media.

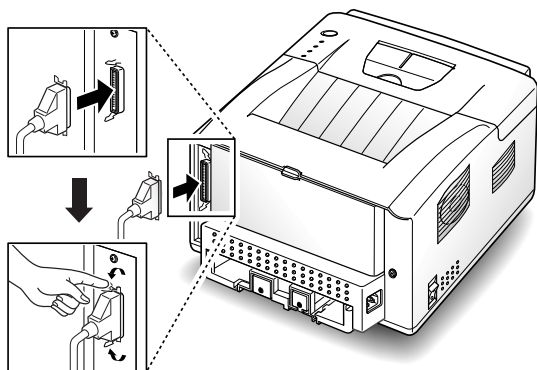


- 7** After printing, to return to using standard face-down output stacker, push in paper support extensions and close rear cover.

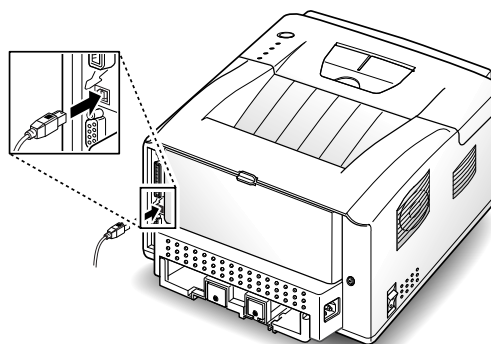


Printer Connections

Parallel Interface

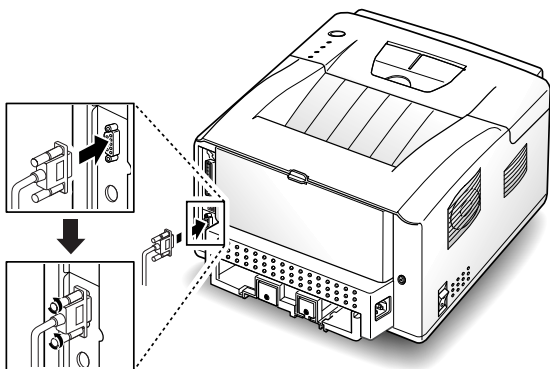


USB Interface



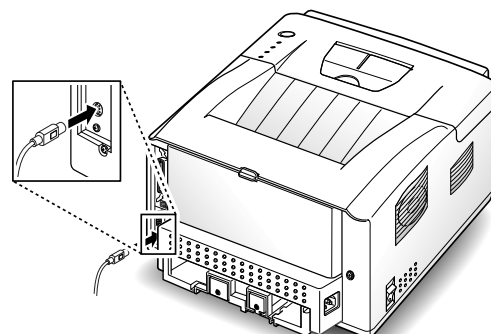
Serial Interface

(Requires option; see Appendix D of on-line Reference Guide)

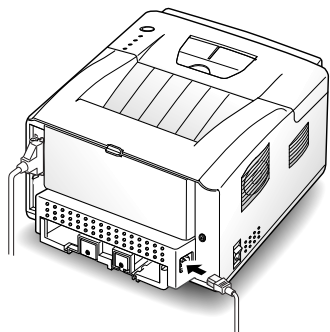


LocalTalk Interface

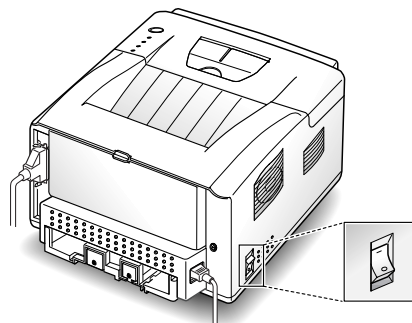
(Requires option; see Appendix D of on-line Reference Guide)



Power Cord



Power On/Off



Printer Driver Installation

Use the following instructions to install the PCL 6 and/or PCL 5e printer drivers on a Windows-based PC. The printer driver enables you to control the DocuPrint P1202's features and capabilities (see the table on the next page). Use the driver's on-line help for a complete description of its functionality. If necessary, consult your Windows documentation for instructions on accessing the driver.

For other software installation procedures, including printer utilities, see the section “*Software Utilities Installation*” (page 1-13). For full details on the printer software, consult the *Reference Guide* on the DocuPrint P1202 CD-ROM.

Before installing the software, verify the following:

- *Your PC has at least 16 MB of RAM installed.*
- *There is at least 20 MB of free disk space on your PC.*
- *ALL APPLICATIONS ARE CLOSED ON YOUR PC BEFORE BEGINNING INSTALLATION. (A system reboot may be required after the software is installed.)*

Windows 95/98/NT 4.0

- 1** Insert the Xerox DocuPrint P1202 CD-ROM into your CD-ROM drive.
 - If Windows automatically runs the CD-ROM, skip to Step 4.
- 2** Select **Run** from the **Start** menu.
- 3** Type **d:\setup.exe** on the command line (where “d” is your CD-ROM drive letter), then click **OK**.
- 4** Select the appropriate language.
- 5** Select **Printer Driver** and follow the on-screen instructions to complete the installation.

For Windows 95/98, please reboot once you have completed installation.

The manufacturer recommends the minimal installation of the PCL 6 driver, which contains all the features described in the product description. Advanced features include Manual Duplex, Multiple Images, Watermarks, and Booklet Printing.

Windows 3.1x

- 1** Turn on the printer, then turn on the computer and start Windows.
- 2** Insert the Xerox DocuPrint P1202 CD-ROM into your CD-ROM drive.
- 3** Open the Program Manager and select **Run** from the **File** menu.
- 4** Type **d:\setup16.exe** on the command line (where “d” is your CD-ROM drive letter), then click **OK**.
- 5** Select the appropriate language.
- 6** Select **Printer Driver** and follow the on-screen instructions to complete the installation.

Printer Driver Features

Setting	Usage/Description	PCL 6	PCL 5e	PS ¹
Number of copies	Select 1-99 copies.	*	*	*
Page orientation	Select Portrait or Landscape.	*	*	*
Paper size	Select from supported paper sizes (see "Printer Specifications").	*	*	*
Paper source	Select printing from Tray 1, MP Tray or Tray 2 (if installed).	*	*	*
Graphic quality	Select enhancement for graphical and/or text printing.	*	*	*
Graphic mode	Select vector or raster mode.	*	*2	*
TrueType fonts	Select font printing.	*	*2	*
EconoMode	Select draft mode printing capability.	*	*2	*
Overlays	Include overlays in printed documents.	*	*2	
Manual duplex	Print two-sided documents.	*		
Multiple images (N-Up)	Select 1-9 images per physical page.	*		
Watermarks	Create and use watermarks on documents.	*		
Booklet printing	Create booklets from documents.	*		

¹ PostScript

² This setting is not available in the Windows NT 4.0 version of the PCL 5e driver.

Software Utilities Installation

For full details on the printer software, consult the *Reference Guide* on the DocuPrint P1202 CD-ROM.

Installing the USB Port Driver (Windows 98)

The USB port driver must be installed in order to print to the DocuPrint P1202 via a USB connection. Currently, USB printing is only available through Windows 98.

- 1** Insert the Xerox DocuPrint P1202 CD-ROM into your CD-ROM drive. If Windows automatically runs the CD-ROM, skip to Step 3.
- 2** Select **Run** from the **Start** menu. Type **d:\setup.exe** on the command line (where “d” is your CD-ROM drive letter), then click **OK**.
- 3** Select the appropriate language, then select **USB Port Driver**.

Installing the Xerox Font Manager (Windows)

The Xerox Font Manager is a Windows-based utility that allows you to install, load and manage fonts on the DocuPrint P1202.

- 1** Insert the Xerox DocuPrint P1202 CD-ROM into your CD-ROM drive. If Windows automatically runs the CD-ROM, skip to Step 3.
- 2** For Windows 95/98/NT 4.0:
Select **Run** from the **Start** menu. Type **d:\setup.exe** on the command line (where “d” is your CD-ROM drive letter), then click **OK**.

For Windows 3.1x:

Open the Program Manager and select **Run** from the **File** menu. Type **d:\setup16.exe** on the command line (where “d” is your CD-ROM drive letter), then click **OK**.

- 3** Select the appropriate language, then select the **Xerox Font Manager**.

Installing the RCP and SM (Windows)

The RCP (Remote Control Panel) and the SM (Status Monitor) software are Windows-based programs that allow the user to set default printer values as well as monitor the status of the printer.

These two utilities can only be used when the printer is connected via the parallel interface.

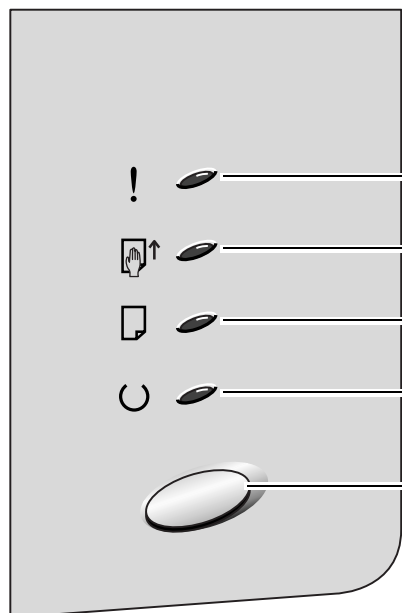
- 1** Insert the Xerox DocuPrint P1202 CD-ROM into your CD-ROM drive. If Windows automatically runs the CD-ROM, skip to Step 3.
- 2** For Windows 95/98/NT 4.0:
Select **Run** from the **Start** menu. Type **d:\setup.exe** on the command line (where “d” is your CD-ROM drive letter), then click **OK**.

For Windows 3.1x:

Open the Program Manager and select **Run** from the **File** menu. Type **d:\setup16.exe** on the command line (where “d” is your CD-ROM drive letter), then click **OK**.

- 3** Select the appropriate language.
- 4** For Windows 3.1x, 95 and 98, select **RCP and SM**. For Windows NT 4.0, select **RCP**.

Control Panel



Indicator Light	On	Off
ERROR	Error during printing or standby.	No active errors.
MANUAL FEED	Manual feed tray ready and waiting.	Manual feed tray is inactive.
PAPER	Out of paper.	Printer does not need paper.
READY	On-line and ready.	Off-line and not ready.

Control Button

Control Button Operation	
Toggle printer on-line/off-line.	Briefly press button.
Reset printer.	Turn printer off-line (all lights off). Press and hold button for about four seconds until all lights blink briefly, then let go of button.
Self test.	Turn printer on-line (READY light on). Press and hold button for about four seconds until all lights blink briefly, then let go of button. The configuration sheet will print.
Release unprinted data.	If READY light is blinking slowly and printer does not print, press and hold button for about four seconds.
Adjust print quality.	Press and hold button for about ten seconds until all lights stay illuminated, then let go of button. After cleaning printer, one cleaning sheet will print.

Control Panel Indicators



On-line



Receiving data (slow blinking)
or
Printing (rapid blinking)



Off-line



Manual feed mode



Printing with manual feed



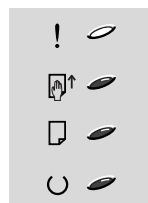
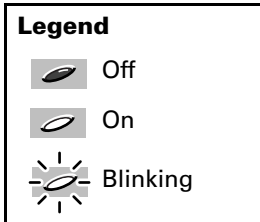
Waiting for paper to be manually fed



Out of paper



Paper jam

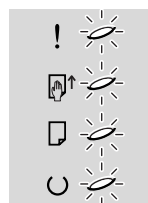


Error:

- Printer cover open
- or
- Laser print cartridge not installed



Insufficient memory for the job

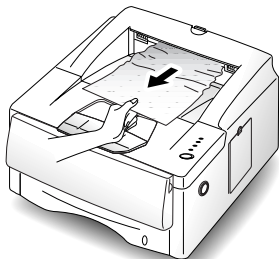


System error

Clearing Paper Jams

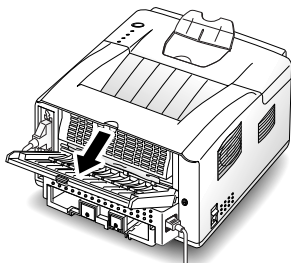
From Output Area

- 1 Gently pull paper to remove. Printing will resume (if not, see *Troubleshooting* in on-line Reference Guide).

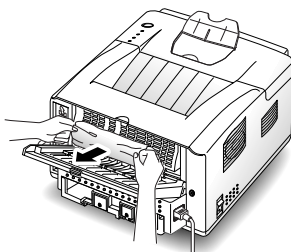


From Face-Up Tray

- 1 Open rear cover.



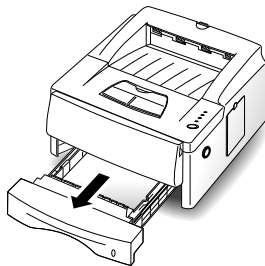
- 2 Gently remove jammed paper.



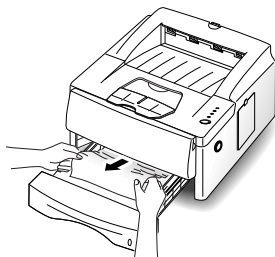
Close rear cover. Printing will resume (if not, see *Troubleshooting* in on-line Reference Guide).

From Input Area (Tray 1 or Tray 2)

- 1 Open paper tray.



- 2 Gently remove jammed paper.

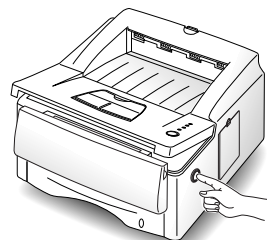


Make sure remaining paper in tray is positioned correctly (refer to "Loading Paper.")

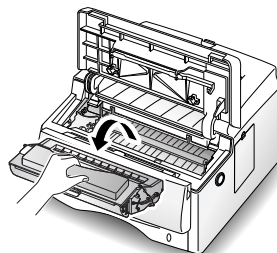
- 3 Close tray. Printing will resume (if not, see *Troubleshooting* in on-line Reference Guide).

From Inside Printer

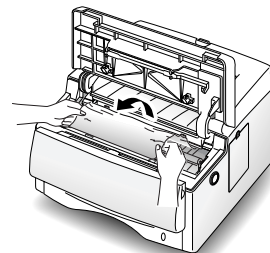
- 1 Open top cover.



- 2 Remove laser print cartridge.



- 3 Gently remove jammed paper.

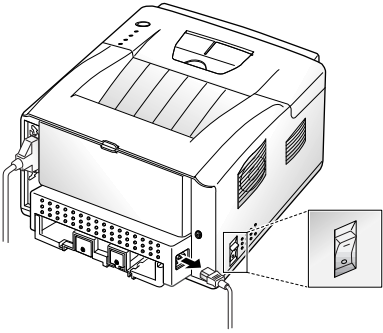


- 4 Replace laser print cartridge.

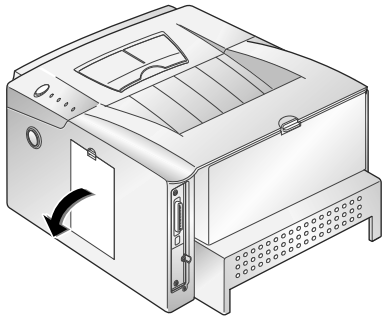
- 5 Close top cover. Printing will resume (if not, see *Troubleshooting* in on-line Reference Guide).

Installing Memory

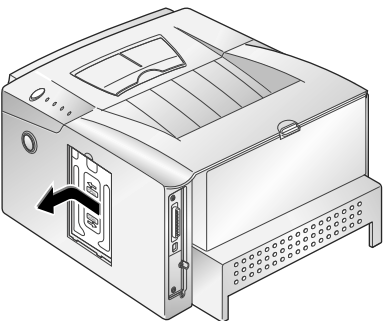
- 1** Turn off power and disconnect the power cable.



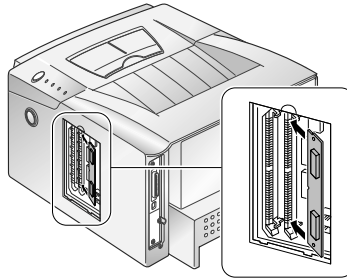
- 2** Open control board cover.



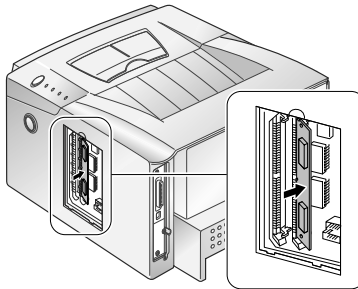
- 3** Remove metal plate.



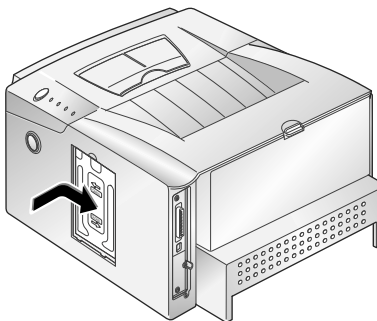
- 4** Install memory SIMM into second slot labeled "DRAM" as shown, slightly angled, notch side up.



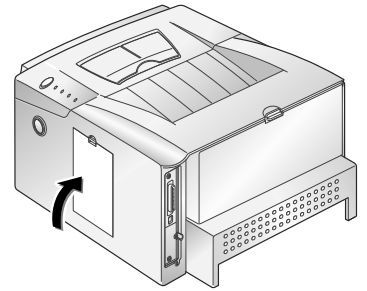
- 5** Push back on the SIMM until it clicks into place.



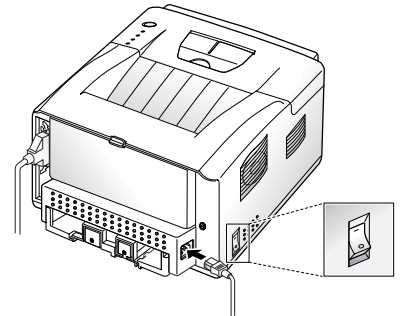
- 6** Reinsert metal plate.



- 7** Replace control board cover.



- 8** Reconnect power cable and turn on power.



Print a configuration sheet (hold down control button until all lights blink, then release). Confirm new memory value on sheet.

Making Installation Diskettes

Use the following procedures to copy software installation files from the Xerox DocuPrint P1202 CD-ROM onto floppy diskettes for installation onto computers that do not have a CD-ROM drive or Internet access. To install the software, see “*Installing Software from Diskette*” (page 1-19).

PCL 6 Printer Driver

- 1** Label a new or freshly formatted diskette “DocuPrint P1202 PCL 6 Driver” and insert it into the floppy drive.
- 2** **Windows 95/98 and 3.1x:**
Copy `d:\XX\pcldrv\pcl6\win9x3x** a:\`
(where “d” is the CD-ROM drive letter, *XX* is the language code¹, i.e. EN for English, and “a” is the floppy drive letter).
Windows NT 4.0:
Copy `d:\XX\pcldrv\pcl6\winNT** a:\`
(where “d” is the CD-ROM drive letter, *XX* is the language code¹, i.e. EN for English, and “a” is the floppy drive letter).

RCP/SM

- 1** **Windows 95/98 and 3.1x:**
Label a new or freshly formatted diskette “DocuPrint P1202 RCP/SM” and insert it into the floppy drive.
Windows NT 4.0:
Label a new or freshly formatted diskette “DocuPrint P1202 RCP” and insert it into the floppy drive.
- 2** Copy `d:\XX\rcp_sm** a:\`
where “d” is the CD-ROM drive letter, *XX* is the language code¹, i.e. EN for English, and “a” is the floppy drive letter).

PCL 5e Printer Driver

- 1** Label a new or freshly formatted diskette “DocuPrint P1202 PCL 5e Driver” and insert it into the floppy drive.
- 2** **Windows 95/98 and 3.1x:**
Copy `d:\XX\pcldrv\pcl5e\win9x3x** a:\`
(where “d” is the CD-ROM drive letter, *language* is the language code¹, i.e. EN for English, and “a” is the floppy drive letter).
Windows NT 4.0:
Copy `d:\XX\pcldrv\pcl5e\winNT** a:\`
(where “d” is the CD-ROM drive letter, *XX* is the language code¹, i.e. EN for English, and “a” is the floppy drive letter).

Xerox Font Manager

- 1** Label a new or freshly formatted diskette “DocuPrint P1202 Xerox Font Manager” and insert it into the floppy drive.
- 2** Copy `d:\XX\font** a:\` where “d” is the CD-ROM drive letter, *XX* is the language code¹, i.e. EN for English, and “a” is the floppy drive letter).

USB Port Driver (Windows 98 only)

- 1** Label a new or freshly formatted diskette “DocuPrint P1202 USB Port Driver” and insert it into the drive.
- 2** Copy `d:\XX\usb** a:\` where “d” is the CD-ROM drive letter, *XX* is the language code¹, i.e. EN for English, and “a” is the floppy drive letter).

¹ Refer to the table on the last page for language codes.

Installing Software from Diskette

PCL Printer Drivers

The following instructions specify the PCL 6 driver. To install the PCL 5e driver, substitute PCL 5e for PCL 6 in the instructions.

Windows 95/98

1. Insert the diskette "DocuPrint P1202 PCL 6 Driver."
2. From the **Start** menu, select **Settings**→**Printers**.
3. Double-click **Add Printer**. Click **Next**.
4. Select **Local Printer**. Click **Next**.
5. Click **Have Disk**.
6. In the field **Copy manufacturer's files from:**, type A:\ then click **OK**.
7. Select **Xerox DocuPrint P1202 PCL 6**. Click **Next**.
8. Select the port (by default LPT1:). Click **Next**.
9. Xerox recommends that the PCL 6 driver be the default driver. Click **Next**.
10. Click **Finish**.

Windows NT 4.0

1. Insert the diskette "DocuPrint P1202 PCL 6 Driver."
2. From the **Start** menu, select **Settings**→**Printers**.
3. Double-click **Add Printer**.
4. Select **My Computer**. Click **Next**.
5. Select the port (by default LPT1:). Click **Next**.
6. Click **Have Disk**.
7. In the field **Copy manufacturer's files from:**, type A:\ then click **OK**.
8. Select **Xerox DocuPrint P1202 PCL 6**. Click **Next**.
9. Xerox recommends that the PCL 6 driver be the default driver. Click **Next**.
10. Decide whether you want to share this printer or not. Then click **Next**.
11. Click **Finish**.

Windows 3.1x

1. Insert the diskette "DocuPrint P1202 PCL 6 Driver."
2. Open **Main**→**Control**→**Printers**.
3. Click **Add**.
4. In **List of Printers**: highlight **Install Unlisted or Updated Printer** and click **Install**.
5. In the field **Insert unlisted, updated, or vendor-provided printer driver disk in:**, type A:\ then click **OK**.
6. Select **Xerox DocuPrint P1202 PCL 6**. Click **OK**.
7. Xerox recommends that the PCL 6 driver be the default driver. Highlight the driver and click **Set as Default Printer**.
8. Click **Close**.

RCP and SM

Windows 95/98 and NT 4.0

1. Insert the diskette "DocuPrint P1202 RCP/SM."
Note: RCP only for Windows NT 4.0.
2. From the **Start** menu, select **Run**.
3. Type a:\setup.exe. Click **OK**.
4. Follow on-screen instructions.

Windows 3.1x

1. Insert the diskette "DocuPrint P1202 RCP/SM."
2. Open the Program Manager and select **Run** from the **File** menu.
3. Type a:\setup.exe. Press **Enter**.

Xerox Font Manager

Windows 95/98 and NT 4.0

1. Insert the diskette "DocuPrint P1202 Xerox Font Manager."
2. From the **Start** menu, select **Run**.
3. Type a:\install.exe. Click **OK**.
4. Follow on-screen instructions.

Windows 3.1x

1. Insert the diskette "DocuPrint P1202 Xerox Font Manager."
2. Open the Program Manager and select **Run** from the **File** menu.
3. Type a:\install.exe. Press **Enter**.

USB Port Driver (Windows 98 only)

1. Insert the diskette "DocuPrint P1202 USB Port Driver."
2. From the **Start** menu, select **Run**.
3. Type a:\setup.exe. Click **OK**.
4. Follow on-screen instructions.

Printer Specifications

Item	Specification and Description
Print Speed	12PPM (A4/Letter)
Resolution	True 600 x 600 dpi; 1200 dpi with Image Enhancement
Paper Handling (output)	Face Down: 250 sheets; Face Up: 10 sheets
Feed Capacity	Tray 1: 250 sheets of paper (80 g/m ² / 20 lb.) MP Tray: 100 sheets of paper (80 g/m ² / 20 lb.); 10 envelopes Option Tray 2: 250 sheets of paper (80 g/m ² / 20 lb.)
Power Rating	AC100~120V/ 220~240V(±15%), 50/60Hz (±3%)
Acoustic Noise	Stand by: Background noise; Operating: Less than 49dB
Toner Supply	Laser Print Cartridge
Operating Environment	Temperature: 10~30° C / 50~90° F; Humidity: 20~80% RH
Weight	11Kg / 25 lb.
External Dimensions	360 (W) x 426 (D) x 220 (H) mm / 14.2 (W) x 16.8 (D) x 8.7 (H) in.
Print Cartridge	Life Span: 6,000 pages, 5% area coverage Starter CRU Life Span: 3,000 pages, 5% area coverage
Emulation	PCL 5e, PCL 6, optional PostScript Level 2
Fonts	1 bitmap 45 scalable (35 Intellifont, 10 TrueType)
CPU	Motorola Power PC 603e (clock speed 100MHz)
RAM Memory	Standard 4 MB Expandable to 36 MB: 72 pin, EDO, non-parity, 60ns; 4 MB, 8 MB, 16 MB or 32 MB
Interface	Bidirectional Parallel Standard - Modes supported: Compatible, Nibble, Byte, ECP USB Interface Standard - USB 1.0 compliant - 12Mbps 1 port Serial/LocalTalk Interface Optional Serial (RS-232C) - 300, 600, 1200, 2400, 4800, 9600, 19200, 38400, 57600, 115.2Kbps - XON/XOFF, DTR/DST Protocol - Robust XON for XON/XOFF LocalTalk - Macintosh Host Interface 230.4KBPS, SDLC, FMO Coding, RS-232C
Interface Switching	Automatic (Parallel, Serial/LocalTalk and USB)
Interface Time Out	5 min (max.)

Printer Certifications

Laser Safety

The Xerox DocuPrint P1202 complies with laser product performance standards set by governmental, national and international agencies as a Class 1 Laser Product. It does not emit hazardous radiation, as the beam is totally enclosed during all phases of customer operation and maintenance.

The use of controls, adjustments, or procedure other than those specified in the documentation might result in hazardous exposure to laser light.

The laser beam inside the printer is completely confined within the protective housings and external covers. The radiation emitted cannot escape from the machine during any phase of user operation.

The Xerox DocuPrint P1202 contains laser danger labels. These labels are intended for use by Xerox Service Representatives, and are placed on or near panels or shields that require special tools for removal. Do not remove any of these panels. There are no operator serviceable areas inside these covers.

Laser Safety for the United States and Canada

The Xerox DocuPrint P1202 complies with safety standards, and is certified as a Class 1 Laser product under the U.S. Department of Health and Human Services (DHHS) Radiation Performance Standard according to the Radiation Control for Health and Safety Act of 1968. The printer does not emit hazardous laser radiation.

The use of controls, adjustments, or procedures other than those specified in the documentation might result in hazardous exposure to laser light.

Since radiation emitted inside the printer is completely confined within the protective housings and external covers, the laser beam cannot escape from the machine during any phase of user operation.

The Center for Devices and Radiological Health (CDRH) of the U.S. Food and Drug Administration implemented regulations for laser products of August 1, 1976. These regulations apply to laser products marketed in the United States. The label on the machine indicates compliance with the CDRH regulations and must be attached to laser products marketed in the United States.

The Xerox DocuPrint P1202 contains laser danger labels. These labels are intended for use by Xerox Service Representatives, and are placed on or near panels or shields that require special tools for removal. Do not remove any of these panels or shields. There are no operator serviceable areas inside these covers.

Laser Safety for Finland and Sweden

Luokitus on on tehty standardin EN 60825 mukaisesti Klassningen är gjord i enlighet med standarden EN 60825.

LUOKAN 1 LASERLAITE
KLASS 1 LASER APPARAT
VAROITUS!

Laitteen käyttäminen muulla kuin tässä käyttöohjessa mainitulla tavalla saattaa alitstaa käyttäjän turvallisuusluokan 1 ylittävälle näkymättömälle lasersäteilylle.

WARNING!

Om Apparaten används på annat sätt än i denna bruksanvisning specificeratas, kan användaren utsättas för osynlig laserstrålning, som överskrider gränsen för laserklass 1.

Laser Statement (Laserturvallisuus)

Never operate and service the printer with the protective cover removed from laser/scanner assembly. The reflected beam, although invisible, can damage your eyes.

Class 1 laser product
Luokan 1 laserlaite
Klass 1 laser apparat
Allonpituus 770-795 nm
Teho 0.40mw +/-0.04 mw

Printer Certifications (continued)

Radio Frequency Emissions

United States and Canada

Note: This equipment has been tested and found to comply with the limits for a Class B digital device, pursuant to Part 15 of the FCC Rules. These limits are designed to provide reasonable protection against harmful interference in a residential installation. This equipment generates, uses and can radiate radio frequency energy and, if not installed and used in accordance with the instructions, may cause harmful interference to radio communications. However, there is no guarantee that interference will not occur in a particular installation. If this equipment does cause harmful interference to radio or television reception, which can be determined by turning the equipment off and on, the user is encouraged to try to correct the interference by one or more of the following measures:

- Reorient or relocate the receiving antenna.
- Increase the separation between the equipment and receiver.
- Connect the equipment into an outlet on a circuit different from that to which the receiver is connected.
- Consult the dealer or an experienced radio/TV technician for help.

Changes or modifications to this equipment not specifically approved by the Xerox Corporation may void the authority granted by the FCC to operate this equipment.

Shielded cables must be used with this equipment to maintain compliance with FCC regulations.

In order to allow this equipment to operate in proximity to Industrial, Scientific and Medical (ISM) equipment, the external radiation from ISM equipment may have to be limited or special mitigation measures taken.

Europe



The CE marking applied to this product symbolises Xerox Europe Declaration of Conformity with the following applicable Directives of the European Union as of the dates indicated.

January 1, 1995: Council Directive 73/23/EEC amended by Council Directive 93/68/EEC, approximation of the laws of the member states related to low voltage equipment.

January 1, 1996: Council Directive 89/336/EEC, approximation of the laws of the member state related to electromagnetic compatibility.

This equipment has been tested and found to comply with the limits for a Class B digital device. These limits are designed to provide reasonable protection against harmful interference in a residential installation. This equipment generates, uses and can radiate radio frequency energy and, if not installed and used in accordance with the instructions, may cause harmful interference to radio communications. However, there is no guarantee that interference will not occur in a particular installation. If this equipment does cause harmful interference to radio or television reception, which can be determined by turning the equipment off and on, the user is encouraged to try to correct the interference by one or more of the following measures:

- Reorient or relocate the receiving antenna.
- Increase the separation between the equipment and receiver.
- Connect the equipment into an outlet on a circuit different from that to which the receiver is connected.
- Consult the dealer or an experienced radio/TV technician for help.

A full declaration, defining the relevant directives and referenced standards can be obtained from your Xerox Europe representative or by contacting:

Xerox Europe Product Safety,
Xerox Europe Technical Centre,
PO Box 17,
Bessemer Road,
Welwyn Garden City,
Herts AL7 1HE, England

This system is certified manufactured and tested in compliance with strict safety and radio frequency interference regulations. Any authorised alteration which includes the addition of new functions or the connection of external devices may impact this certification. Please contact your local Xerox Europe representative for a list of approval accessories.

In order to allow this equipment to operate in proximity to industrial, Scientific and medical (ISM) equipment, the external radiation from the ISM equipment may have to be limited or special mitigation measures taken.

Printer Certifications (continued)

CE



Energy Star



DEMKO



SEMKO



FIMKO



GOST



C+UL+US



NOM



Environmental Choice



NEMKO



Polish B



**Y2K
Compliant**

Language Codes

Code	Language
BG	Bulgarian
CS	Czech
DA	Danish
DE	German
EL	Greek
EN	English
ES	Spanish
ET	Estonian
FI	Finnish
FR	French
HU	Hungarian
IT	Italian
LT	Lithuanian
LV	Latvian
NL	Dutch
NO	Norwegian
PL	Polish
PT	Portuguese
RO	Romanian
RU	Russian
SH	Croatian
SK	Slovak
SL	Slovenian
SV	Swedish
TR	Turkish
ZH	Chinese

Free Manuals Download Website

<http://myh66.com>

<http://usermanuals.us>

<http://www.somanuals.com>

<http://www.4manuals.cc>

<http://www.manual-lib.com>

<http://www.404manual.com>

<http://www.luxmanual.com>

<http://aubethermostatmanual.com>

Golf course search by state

<http://golfingnear.com>

Email search by domain

<http://emailbydomain.com>

Auto manuals search

<http://auto.somanuals.com>

TV manuals search

<http://tv.somanuals.com>